

AKITA

Installation Instructions

Required Tools & Accessories

Flathead Screwdriver

Phillips Screwdriver

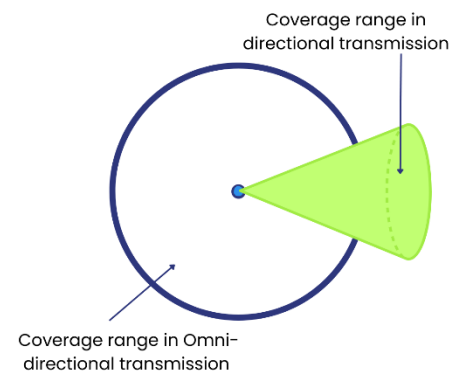
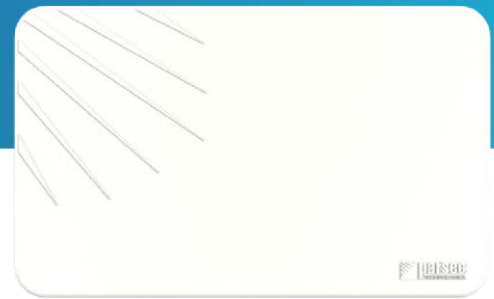
Loctite or 3M Red 271 Thread locker

Mounting Options

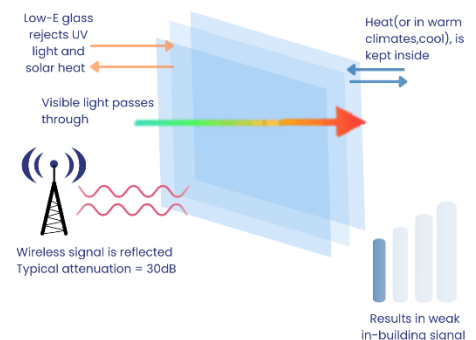
Antenna Mounting Location Directions

When selecting the location of an antenna, consider the following factors:

- 1. Antenna Directionality** – the direction of the signal is limited by the directionality of the antenna.
Omni-directional antennas provide a 360-degree horizontal radiation pattern, allowing for coverage in all directions horizontally with varying degrees of vertical coverage.
When selecting the location of an omni-directional antenna, ensure that the antenna can be mounted in the proper orientation relative to the horizontal plane.
- 2. Signal Path Loss** – signal strength is greatly affected by the materials that the signal passes through. Severe signal loss can be caused by concrete and brick walls. Metals can absorb and/or reflect the signal, affecting the signal path. **For best antenna performance, select an antenna location with minimal obstructions between the antenna and the signal source(s).**
- 3. Reflection & Diffraction** – the signal will bounce off certain materials and bend around obstacles. For best antenna performance, the antenna should be installed in a location where the signal path is not interfered with by materials like Low E glass, Metal, Tinted glass, etc., that reflect RF Energy.
- 4. Interference** – electrical devices and appliances interfere with the antenna's signal. Electrical devices and appliances, such as refrigerators, microwaves, AC units, and cameras, can cause electromagnetic interference with the antenna signal.
Select a location that is as far as possible from electrical devices and appliances and minimizes the amount of such devices between the antenna and the signal source(s). For best antenna performance, install antennas as far away as possible from each other and other devices. In general, separate antennas by at least 24 inches (61 cm).



Low-E Windows and Wireless Signal Inside LEED-Certified Buildings



5. **Cable Loss** – signal strength is lost as RF waves travel through cables.

The longer the cable, the more electrical energy is lost as heat and the higher the signal loss.

Therefore, it is best to select a location for the antenna that allows the cables to be as short as possible and still reach the router.

The size of the cable also affects cable loss; coaxial cables with higher center conductor diameters have less cable loss compared to thinner coaxial cables.

It is critical to avoid bending coaxial cables sharply to avoid shearing of the Aluminum foil shield, which can result in a significant or complete loss of antenna functionality.

Coaxial cables should not be bent sharply; they have a minimum bend radius which varies depending on the size of cable.

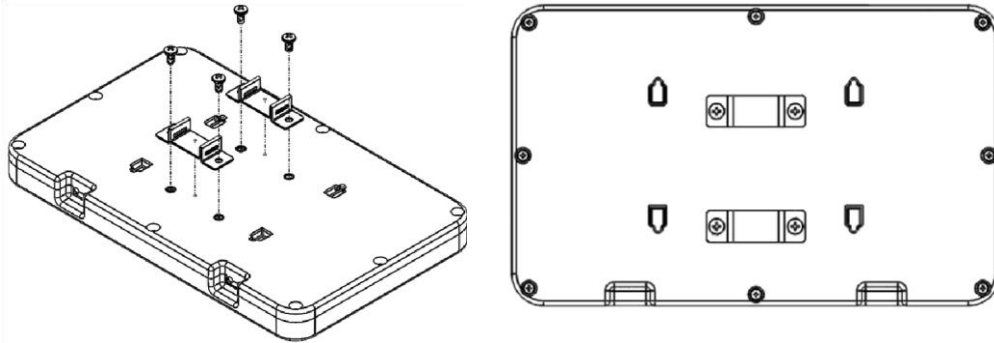
Hardware Accessories

<i>Accessory</i>	<i>Part Number</i>
Pole Mount Kit	PTA0532
Wall Mount Kit	PTA0459
Suction Cup Kit	PTA0893
Lightning Arrestor – SMA(F) to SMA(F)	PTA0476
Lightning Arrestor – N(F) to N(M)	PTA0736
SMA Wrench, Key Chain	PTA0194
Service: Cable Sleeving (Priced Per Ft)	Cable Sleeving

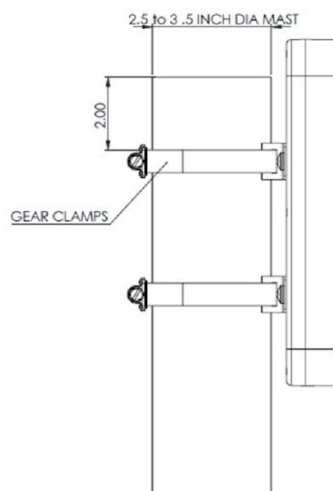
***Lightning Arrestors are recommended for outdoor installations**

Pole Mount

1. Select the mounting location.
 - A. To avoid de-tuning or interference issues, install the antenna as far away as possible from other devices (minimum 24 inches), including lights, AC units, routers, and other antennas.
 - B. A clear line of sight to the nearest cell tower is recommended for best performance.
 - C. For multiple Akita antennas, antennas must be separated at least 12 inches vertically or 24 inches horizontally.
 - D. The diameter of the pole must be between 2.5 inches - 3.5 inches and the pole must be vertical.
2. Install the two pole mount brackets onto the back of the antenna using the four $\frac{3}{4}$ " screws provided in the kit. Use the Loctite or red thread locker on the screw threads prior to screwing into the back of the antenna.

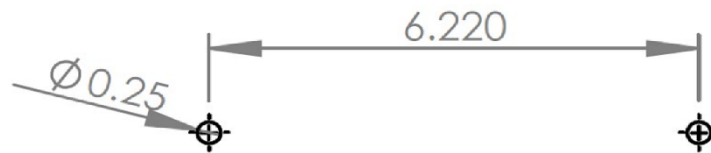


3. Guide the provided hose clamps through the slots in the pole mount brackets and around the pole, as shown below. Tighten the hose clamps around the pole.
4. Connect the cables from the cable kit to the antenna cables. Make sure to match the cables according to the labels on the antenna cables and the cable kit.
5. Secure the antenna cables to the pole roughly 6 inches below the antenna to provide strain relief. Vinyl electrical tape or cable-ties can be used. If using cable-ties outside, make sure to use UV resistant cable-ties.
 - A. **Ensure that the cables do not bend sharply. Do not bend the cables with a radius of 1.5" or less.**
 - B. Route the antenna cables adjacent to existing wiring as much as possible.

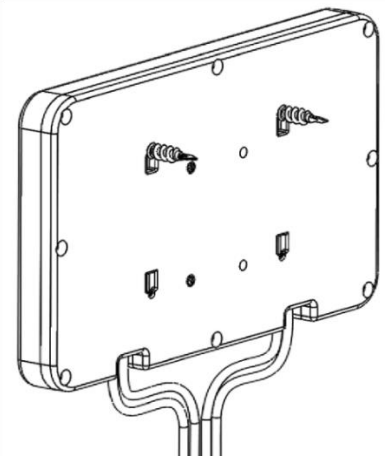
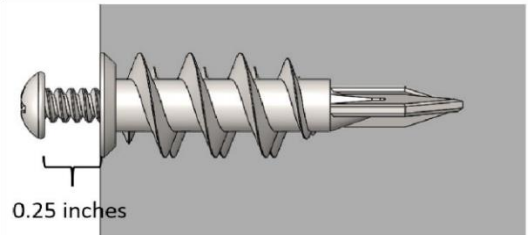


Wall Mount: Hanging

1. Select the mounting location.
 - A. To avoid de-tuning or interference issues, install the antenna as far away as possible from other devices (minimum 24 inches), including lights, AC units, routers, and other antennas.
 - B. For multiple Akita antennas, antennas must be separated at least 12 inches vertically or 24 inches horizontally.
 - C. Mount the antenna so that it is centered on a wall stud.
 - D. Ensure that there is no metal in the wall behind the antenna.
2. Drill two 0.25" diameter holes into the wall.
 - A. Mark the locations of the holes as shown below.

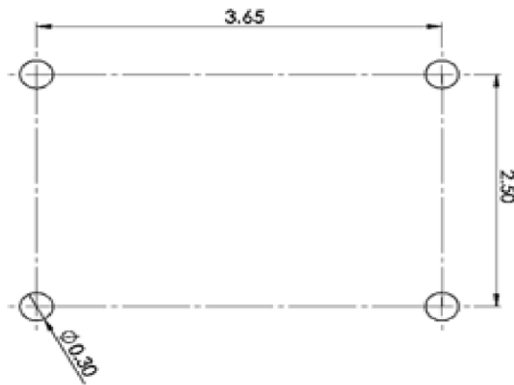


- B. Use a 1/4" diameter drill bit to drill holes at the marked locations.
3. Install the provided wall anchors and screws into the wall.
 - A. Insert the wall anchors into the holes. Ensure that the anchors are fully inserted.
 - B. Insert the screws into the wall anchors and tighten until the screw head is 1/4" away from the wall.
 4. Hang the antenna on the screws.
 5. Secure the antenna cables to the wall roughly 6 inches below the antenna to provide strain relief. Vinyl electrical tape or cable-ties can be used. If using cable-ties outside, make sure to use UV resistant cable-ties.
 - A. Ensure that the antenna cables run vertically at least 8" under the antenna.
 - B. Ensure that the cables do not bend sharply. Do not bend the cables with a radius of 1.5" or less.
 - C. Route the antenna cables adjacent to existing wiring as much as possible.

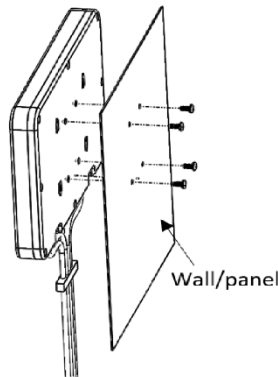


Panel Mount

1. Select the mounting location.
 - A. To avoid de-tuning or interference issues, install the antenna as far away as possible from other devices (minimum 24 inches), including lights, AC units, routers, and other antennas.
 - B. For multiple Akita antennas, antennas must be separated at least 12 inches vertically or 24 inches horizontally.
 - C. Mount the antenna so that it is centered on a wall stud.
 - D. Ensure that there is no metal in the wall behind the antenna.
2. Drill 0.3" diameter holes into the wall.
 - A. Mark the locations of the holes as shown below.



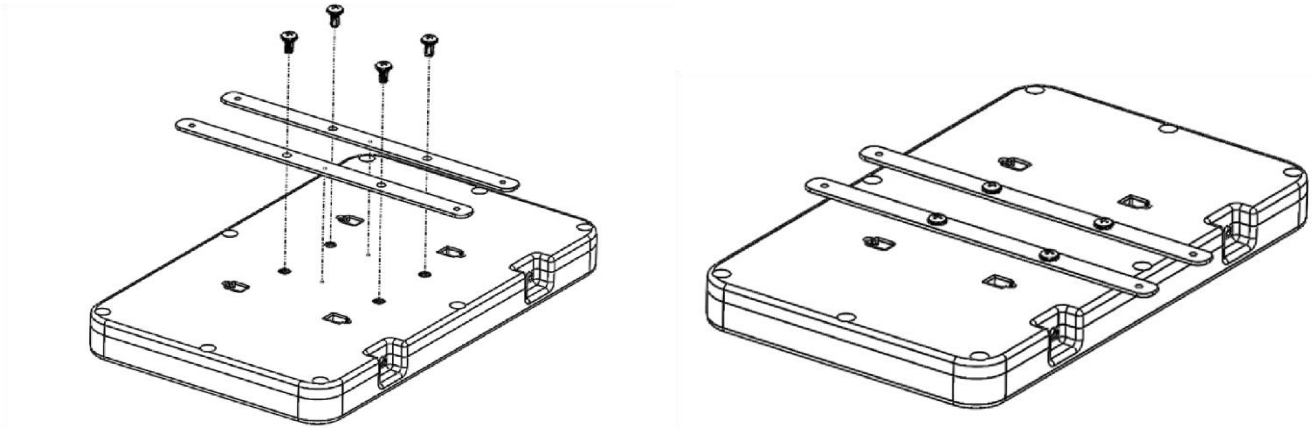
- B. Use a 0.3" diameter drill bit to drill holes at the marked locations.
3. Mount the antenna to the wall/panel.
 - A. Align the mounting holes on the antenna to the wall/panel mounting holes.
 - B. Fasten the antenna to the wall using the Qty. 4 ¼-20 screws provided in the kit.
 - C. If the wall/panel thickness is 0.35" or greater, please use the appropriate length screws.



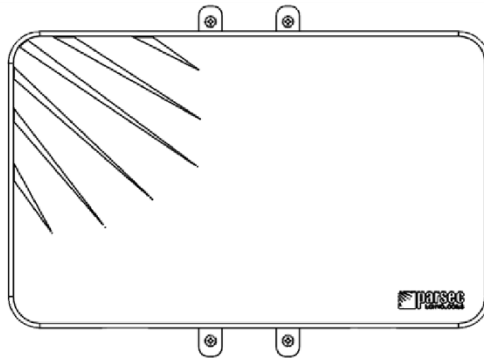
4. Secure the antenna cables to the wall roughly 6 inches below the antenna to provide strain relief. Vinyl electrical tape or cable-ties can be used. If using cable-ties outside, make sure to use UV resistant cable-ties.
 - A. Ensure that the antenna cables run vertically at least 8" under the antenna.
 - B. Ensure that the cables do not bend sharply. Do not bend the cables with a radius of 1.5" or less.
 - C. Route the antenna cables adjacent to existing wiring as much as possible.

Strap Mount

1. Select the mounting location.
 - A. To avoid de-tuning or interference issues, install the antenna as far away as possible from other devices (minimum 24 inches), including lights, AC units, routers, and other antennas.
 - B. For multiple Akita antennas, antennas must be separated at least 12 inches vertically or 24 inches horizontally.
 - C. Mount the antenna so that it is centered on a wall stud.
2. Mount the straps on the antenna using the screws provided in the kit.



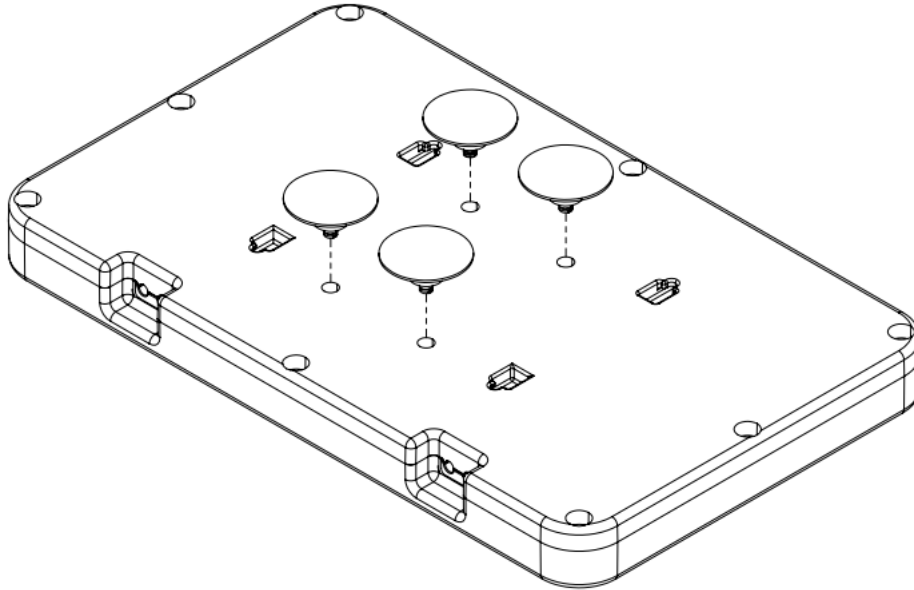
3. After mounting the straps on the antenna, hold the antenna on the wall and mark the mounting hole positions.
4. Mount the antenna on the wall or any flat surface using the four wall plugs and screws



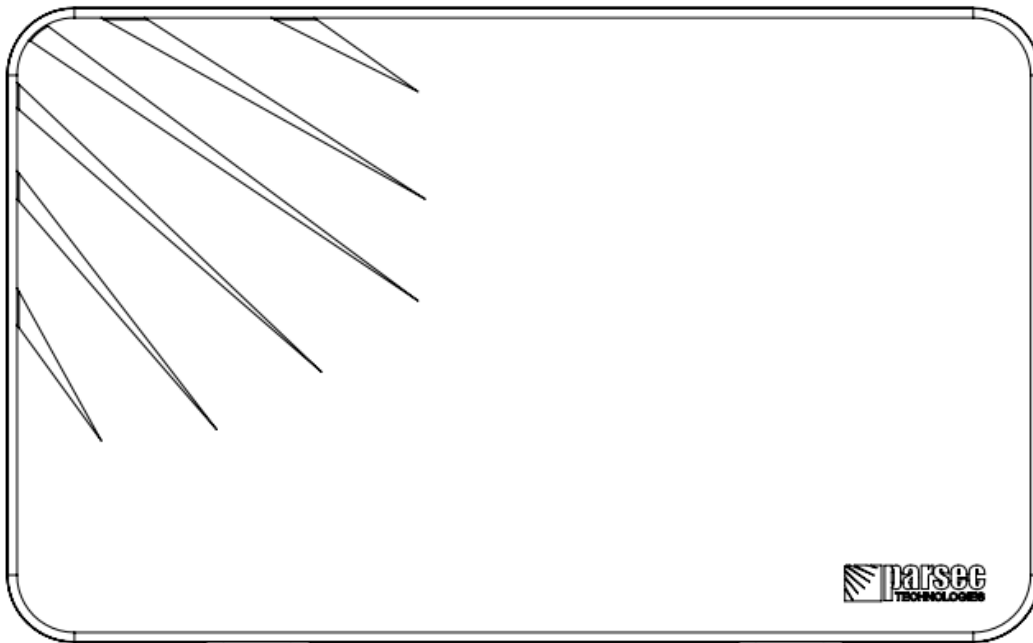
5. Secure the antenna cables to the wall roughly 6 inches below the antenna to provide strain relief. Vinyl electrical tape or cable-ties can be used. If using cable-ties outside, make sure to use UV resistant cable-ties.
 - A. Ensure that the antenna cables run vertically at least 8" under the antenna.
 - B. Ensure that the cables do not bend sharply. Do not bend the cables with a radius of 1.5" or less.
 - C. Route the antenna cables adjacent to existing wiring as much as possible

Window Mount

1. Select the mounting location.
 - A. To avoid de-tuning or interference issues, install the antenna as far away as possible from other devices (minimum 24 inches), including lights, AC units, routers, and other antennas.
 - B. For multiple Akita antennas, antennas must be separated at least 12 inches vertically or 24 inches horizontally.
2. Screw the PTA0892 Suction Cup Mounts onto the back of the antenna.

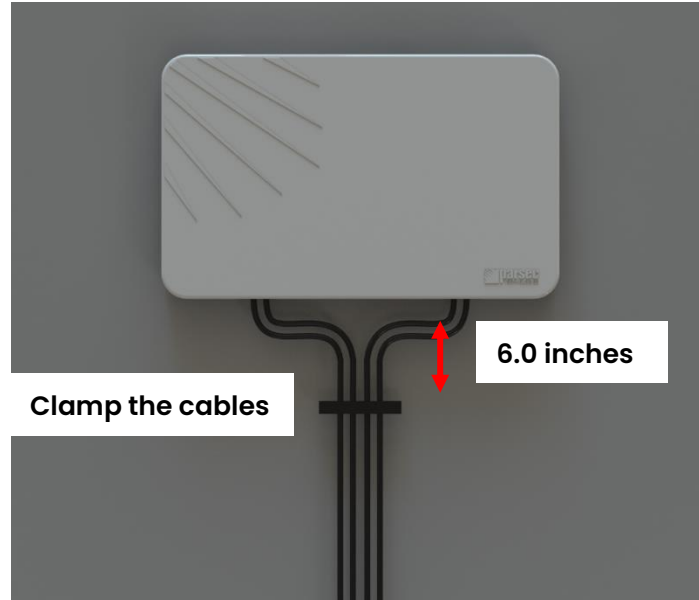


3. Install the Antenna on the Window. Ensure the antenna is upright, as shown below.



Routing the Cable

1. Properly route the cables, making sure there are no sharp bends. Clamp the cables to the wall at about 6 inches away from the antenna if the cables are being hung straight from the wall.
2. Make sure the antenna is mounted in the correct direction and tighten the mounting hardware. Waterproof the RF connectors using electrical tape, or a heat shrink tube.



Cable Connection Instructions

Step 1:

Use canned air and/or isopropyl alcohol to clean all the connectors to ensure that there is no dust in the terminals.

Step 2.

Connect the antenna cables to the designated terminals on the router, as shown in the tables and images below:

S. No	Cable from Antenna	Connector on Router
1	CELL 1	MAIN0
2	CELL 2	AUX0 / DIV
3	CELL 3	MAIN1
4	CELL 4	AUX1
5	GPS	GPS

For best MIMO performance, use the following in pairs:

CELL 1 & CELL 2

CELL 3 & CELL 4

Commission and Testing

Check each coaxial cable connector and confirm that it cannot be easily loosened. Visually inspect the coaxial cables to ensure that they are not sharply bent and are sufficiently secured and supported between the antenna and the router.

Use a cellular device's built-in diagnostics to confirm the RSSI is higher than -75dB. Confirm the cellular connection supports communications at required data rates.

Connect the cellular/LTE cables to the router and stow any unused coaxial cables to avoid damage.



CAUTION

To comply with FOC RF Exposure requirements in section 1.1310 of the FCC Rules, antennas used with this device must be installed to provide a separation distance of at least 20 cm from all persons to satisfy RF exposure compliance.



DO NOT

- Operate the transmitter when someone is within 24 inches of the antenna
- Install the antenna or mast assembly on a windy day
- Install the mast close to power lines as it can cause serious injuries or death



WARNING

Watch out for overhead power lines. Check the distance to power lines before beginning installation.



WARNING

This document gives the detailed instructions to install an antenna to the best of our knowledge. This document is for general information only. It cannot be used as a warranty. Parsec Technologies Inc. will not accept any liability for any damage caused by an antenna due to unknown variables.



Last Revised: 03.19.2024