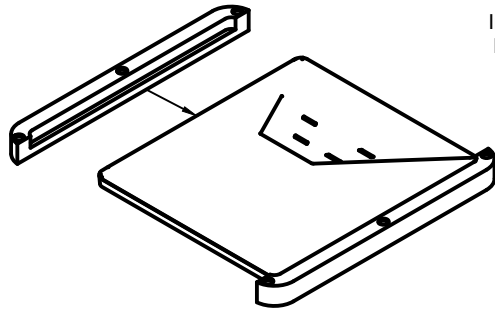


Starlink Mini Assembly Instructions

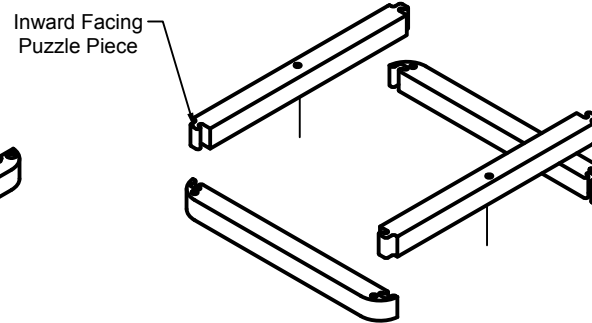


Step 1



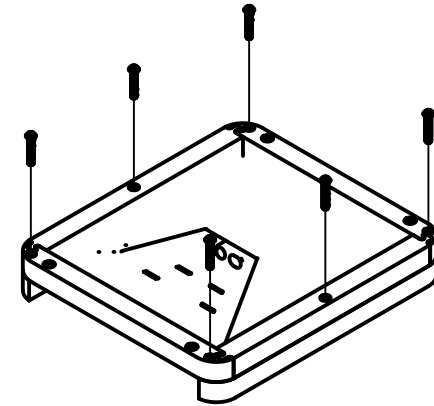
Place the Starlink upside down for outdoor installs or face up for interior mounting. Position each top piece on the sides of the Starlink.

Step 2



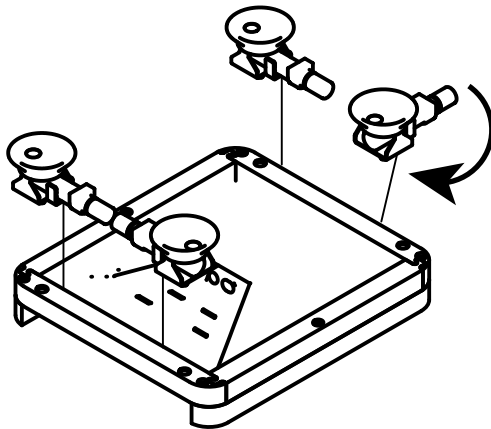
Connect the four pieces using the inward-facing puzzle connectors to form a solid rectangular base.

Step 3



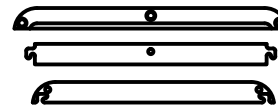
Place the assembled bottom piece on top of the Starlink. Insert M6 bolts through each hole and tighten with the M4 hex key to secure the Starlink.

Step 4

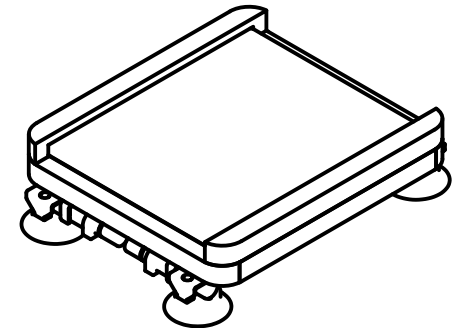


Screw in suction cups or magnets to the inserts on the bottom pieces.

- x2 Top Pieces
- x2 Bottom Sides
- x2 Bottom Ends



- x10 M6 Inserts
- x6 M6 Bolts
- M4 Hex Key
- *OPTIONAL: Suction Cups
- *OPTIONAL: Magnets



**Your Starlink Mini Mount is
now ready for use!**

