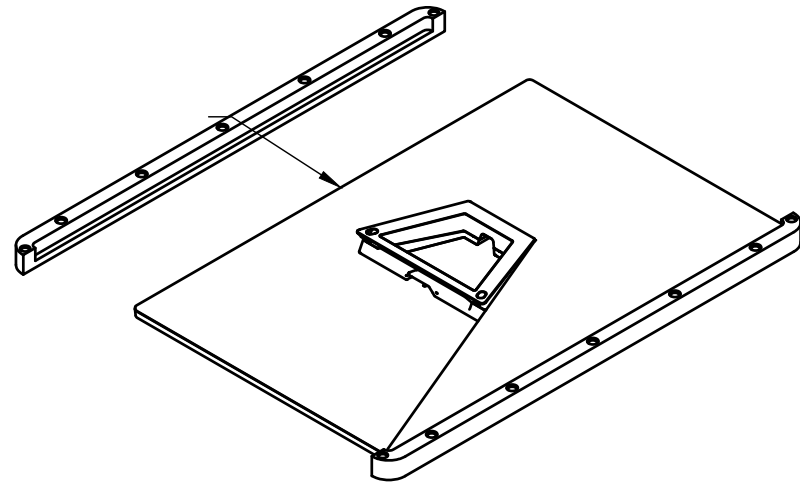


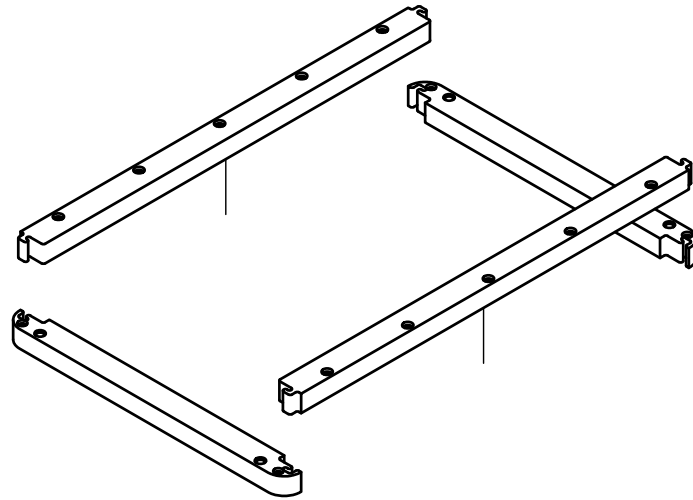


Step 1



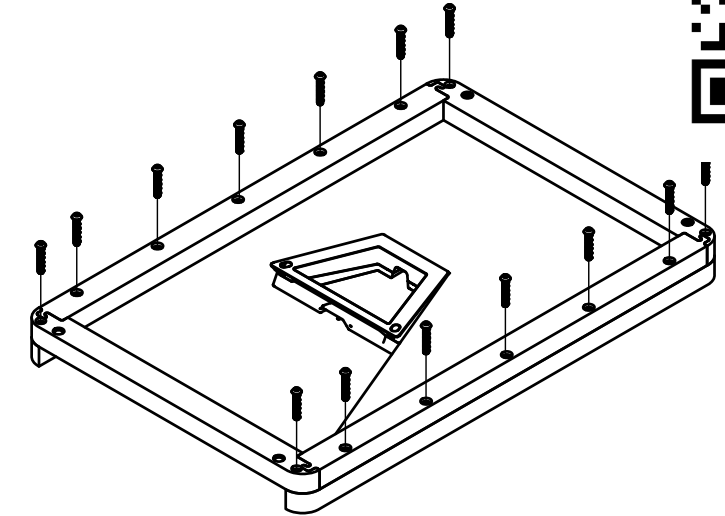
Place the Starlink upside down on a flat surface. Position each top piece on the sides of the Starlink.

Step 2



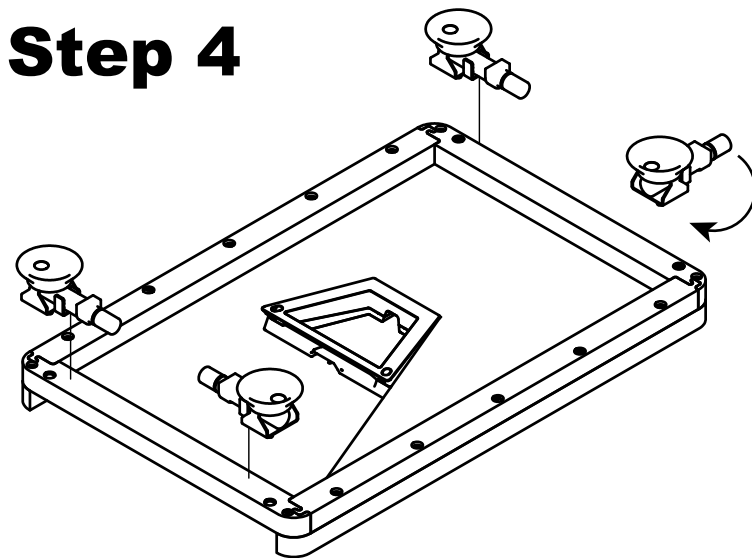
Connect the four pieces using the inward-facing puzzle connectors to form a solid rectangular base.

Step 3



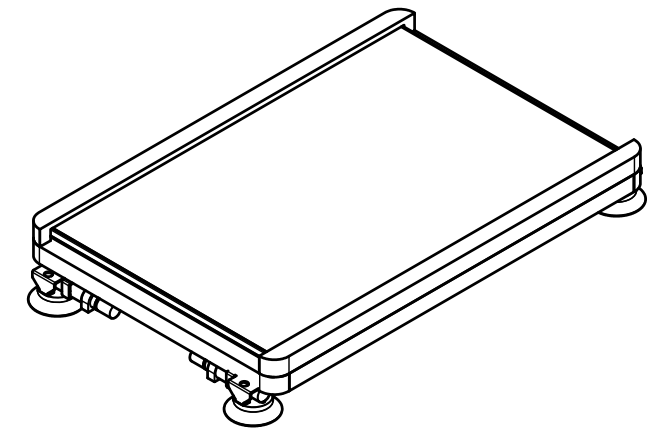
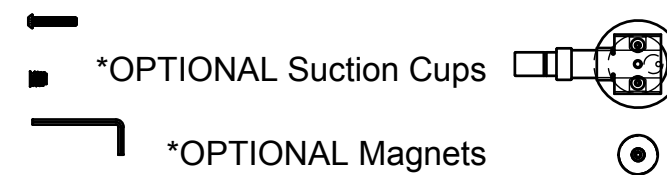
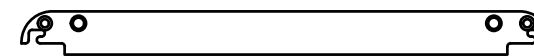
Place the assembled bottom piece on the Starlink, insert M6 bolts, and tighten with the M4 Hex Key

Step 4



Screw in suction cups or magnets to the inserts on the bottom pieces.

- x2 Top Side Pieces**
- x2 Bottom Pieces (long)**
- x2 Bottom End Pieces (short)**
- x14 M6 Bolts**
- x18 M6 Inserts**
- M4 Hex Key**



Your Starlink Mount is now ready for use!

