

Busbar 250 A 2P with 6 or 12 screws, with cover

www.victronenergy.com



Busbar 250 A 2P with 6 screws

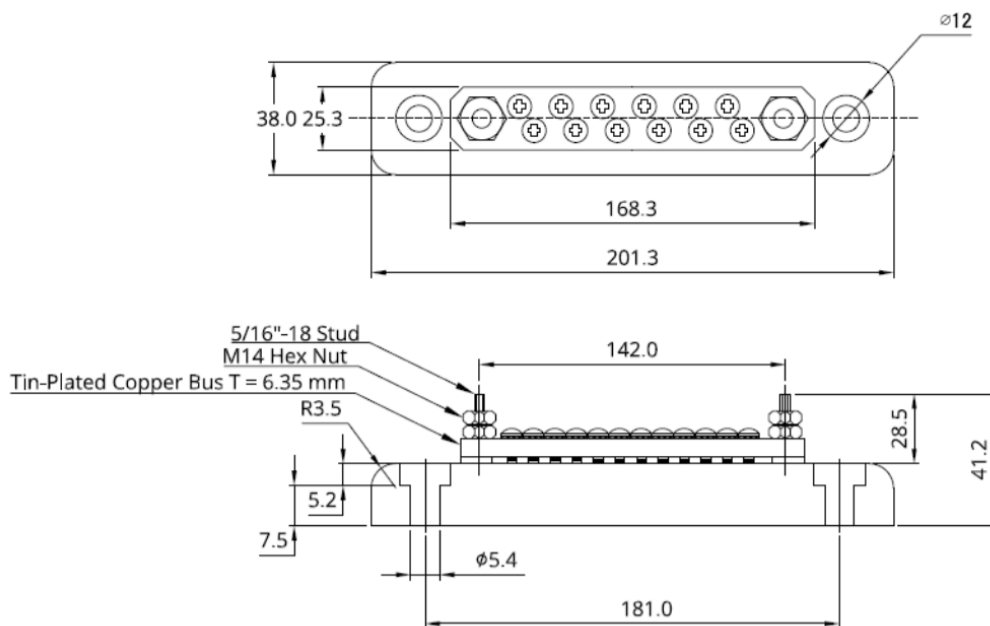


Busbar 250 A 2P with 12 screws



Cover for busbar 250 A with 6 screws

| Busbar 250 A 2P with 6 or 12 screws, with cover | |
|---|--|
| Max. current rating | 250 A |
| Max. Voltage rating | 70 VDC |
| Terminal stud diameter | 5/16 inch / 8 mm |
| Terminal height | 0.67 inch / 17 mm |
| Terminal material | Stainless steel |
| Hex nut material | Tin-plated copper |
| Recommended torque | 110 lbf-inch / 13 N-m |
| Terminal screws | 10-24 / 4,8 mm |
| Terminal material | Stainless steel |
| Busbar strip material | Tin-plated copper (6,35 x 25 mm) |
| Base material | ABS, black, UL 94 V-0 |
| Cover material | ABS, black, UL 94 V-2 |
| Weight (6 screws) | 0,55 lb / 0,25 kg |
| Weight (12 screws) | 0,77 lb / 0,35 kg |
| Dimensions (6 screws) (hxwx) (without cover) | 1.6 x 6 x 1.5 inch 42 x 153 x 38 mm |
| Dimensions (12 screws) (hxwx) (without cover) | 1.6 x 7.9 x 1.5 inch 41 x 201 x 38 mm |
| Dimensions (6 screws) (hxwx) (with cover) | 1.9 x 9.4 x 2.8 inch 65 x 216 x 86 mm |
| Dimensions (12 screws) (hxwx) (with cover) | 1.9 x 9.4 x 2.8 inch 48 x 237 x 70 mm |



Busbar 250 A 2P with 12 screws