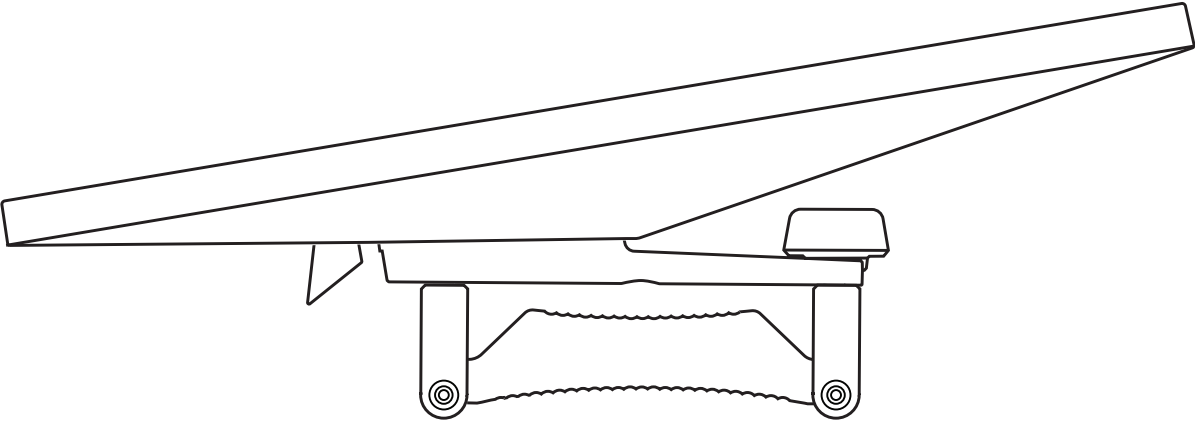
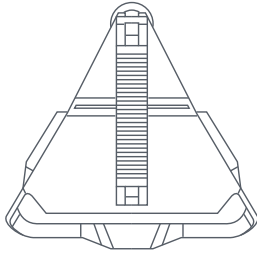


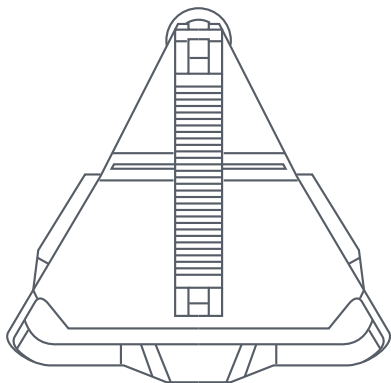
STARLINK | MINI ROOF RACK MOUNT INSTALL GUIDE



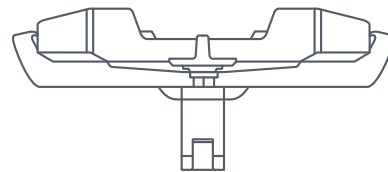
What's in the Box



Roof Rack Mount



152 mm
(5.98 in)



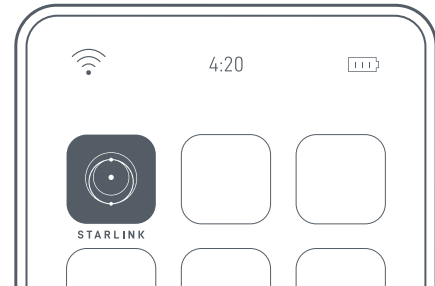
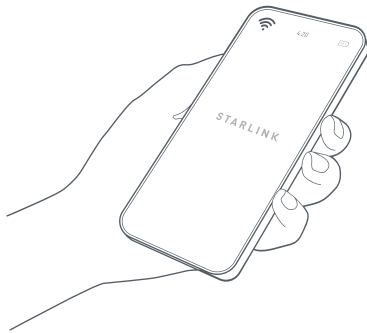
67 mm
(2.64 in)

153 mm
(6.02 in)

SCREW INSTALLATION

1 | Download the Starlink App

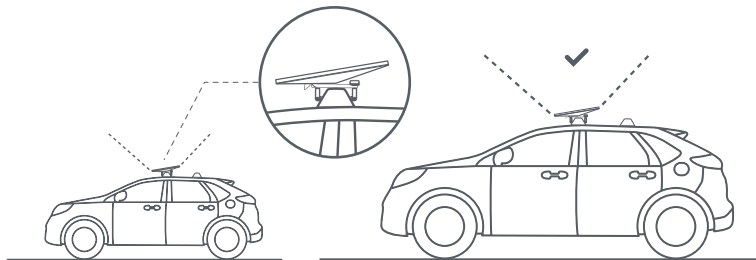
Scan the QR code to download the Starlink App.



2 | Find Mounting Location

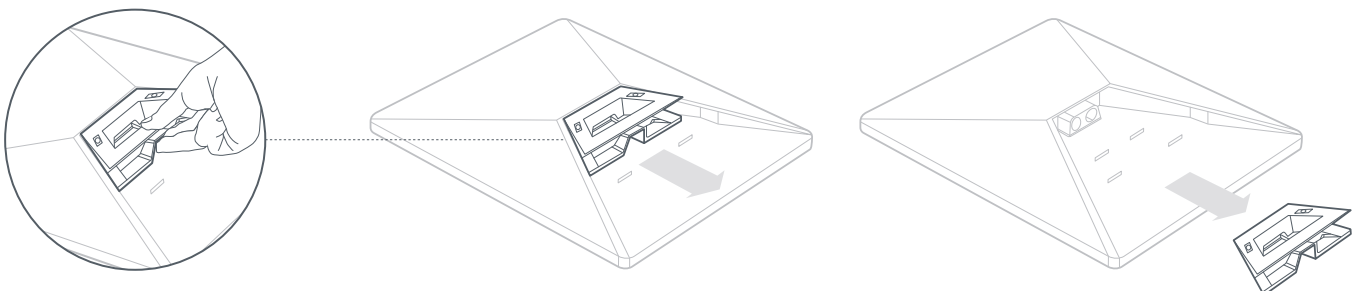
Your Starlink needs a clear view of the sky so it can stay connected with satellites as they move overhead. Objects that obstruct the connection between your Starlink and the satellite will cause service interruptions. Use the obstructions tool in your App to ensure you have selected a suitable mounting location.

You will also want to ensure your Starlink is mounted in the correct orientation relative to your vehicle as shown below.



3 | Remove Kickstand

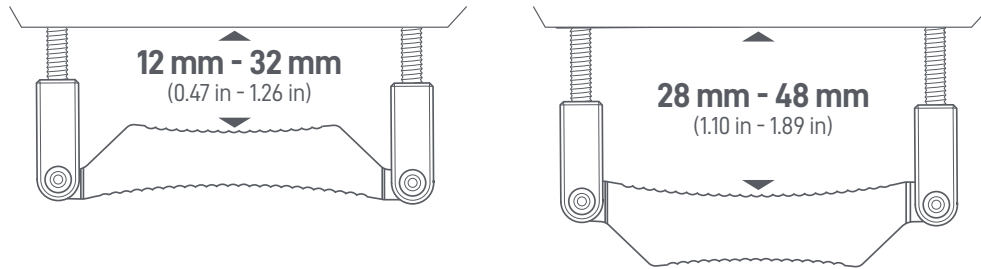
Squeeze the release tab and pull it away from its fixed location.



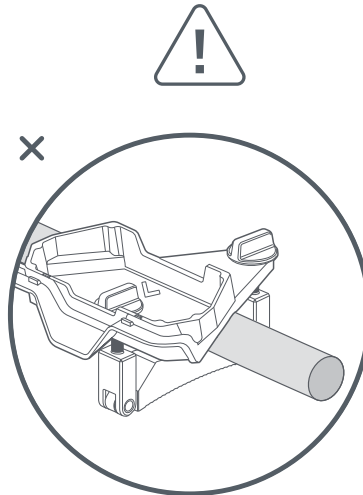
4 | Determine Correct Grip Pad Orientation

Determine the correct grip pad orientation based on the thickness of the roof rack bar on your vehicle.

The Mini Roof Rack Mount can accommodate bars up to 88 mm (3.5 in) wide. The short side should be used with bars 12 mm (0.47 in) to 32 mm (1.26 in) thick. The long side should be used for all other bars up to 48 mm (1.89 in) thick.



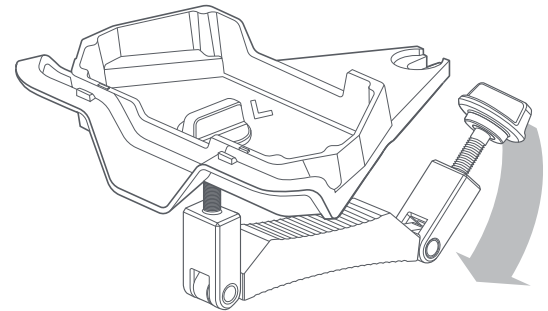
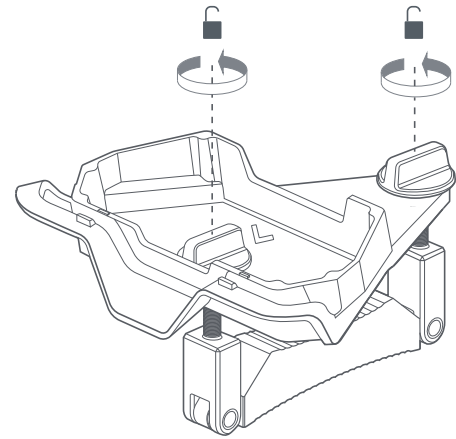
NOT INTENDED TO BE MOUNTED TO ROUND PROFILE BARS



12 mm (0.47) - 32 mm (1.26 in) Thick Roof Racks

5a | Prepare Mount and Install on Roof Rack

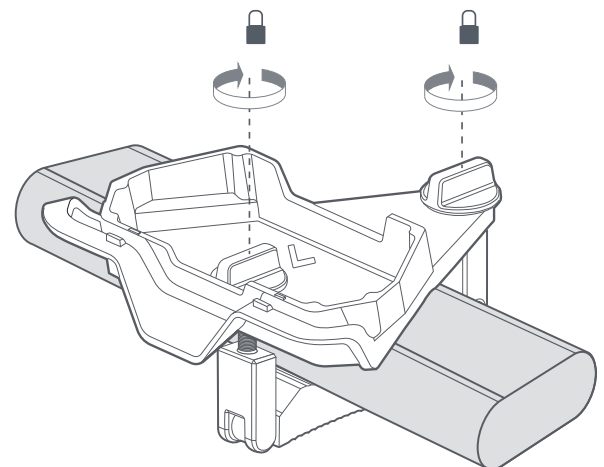
Loosen the 2 thumbs screws until mount is wide enough to wrap around your roof rack. Flip down mount arm and install mount onto your vehicle's roof rack.



6a | Install Mount onto Roof Rack

Place mount onto cross bar with the grip pad contacting the roof rack and equally centered on the bar. Ensure the proper installation orientation of the mount on your vehicle. The arrow indicated on the mount points towards the front of the vehicle.

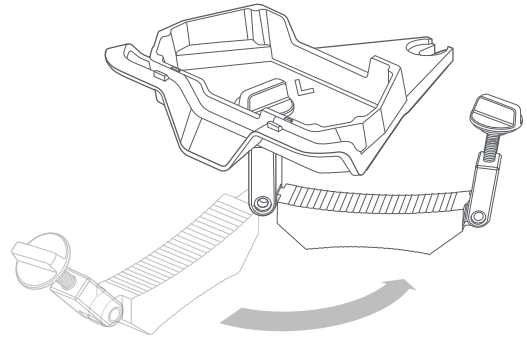
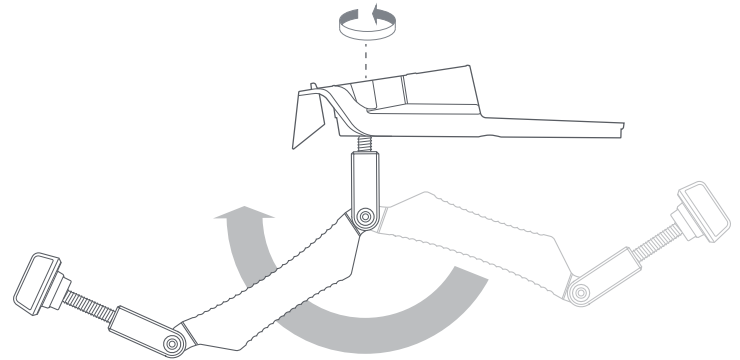
Flip mount arm into latched position and hand tighten the two hand screws until the mount is firmly and securely attached onto roof rack.



28 mm (1.1 in) - 48 mm (1.89 in) Thick Roof Racks

5b | Prepare Mount and Install on Roof Rack

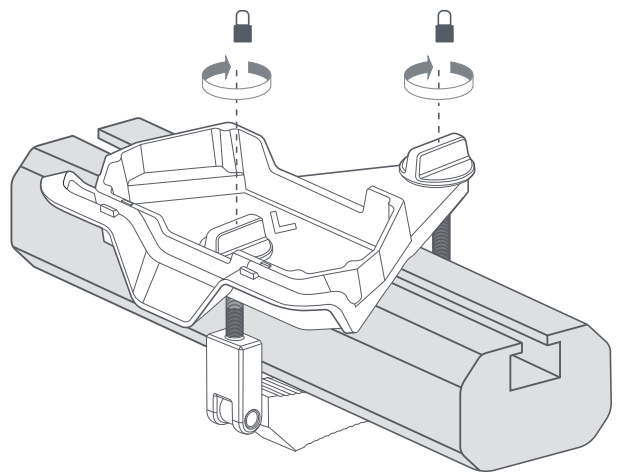
Loosen the 2 thumbs screws until mount is wide enough to wrap around your roof rack. Flip down mount arm and install mount onto your vehicle's roof rack.



6b | Install Mount onto Roof Rack

Place mount onto cross bar with the grip pad contacting the roof rack and equally centered on the bar. Ensure the proper installation orientation of the mount on your vehicle. The arrow indicated on the mount points towards the front of the vehicle.

Flip mount arm into latched position and hand tighten the two hand screws until the mount is firmly and securely attached onto roof rack.



7 | Plug in Cable and Install Starlink

Plug the ethernet cable into your Starlink and ensure the ethernet cable is fully inserted.

Slide your Starlink into the mount until it clicks into place and ensure your Starlink is firmly attached.

