

PART NUMBER

KAD178548

REV.

DATE

COMMENTS

INITIAL

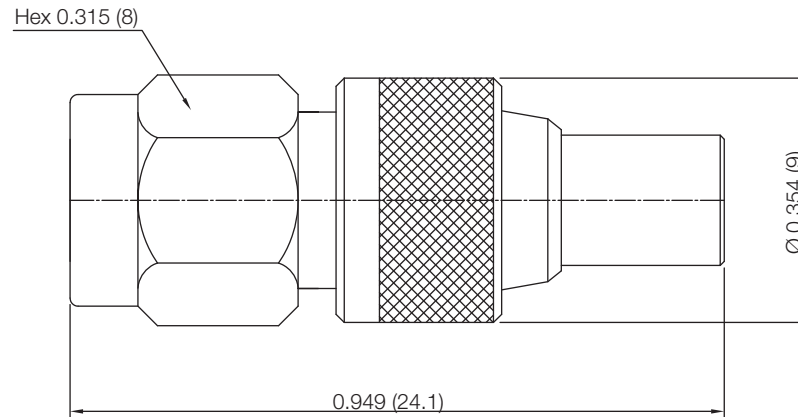
Electrical Data

Impedance	50 Ω
Frequency Range	DC - 6 GHz.
VSWR	1.20:1 Max
Contact Current	DC 3.5A Max
Voltage Rating	250 VRMS
Contact Resistance:	
Center Contacts	2.0 m Ω
Outer Contacts	0.2 m Ω
Insulation Resistance	5000 m Ω min
Insertion Loss	0.4 dB @ DC - 6 GHz

Mechanical Data

Temperature Range	-45 °C - 125 °C
-------------------	-----------------

RoHS Compliant



Drawing not to scale. Dimensions for reference only

Units: inches (mm)



MobileMustHave
MOBILE LIFESTYLE SOLUTIONS

PART NUMBER

KAD178548

DESCRIPTION

Adapter, Between Series, SMA Male Plug to MCX Female Jack

CAGE CODE

664U0

SIGNATURE

X

THIS DRAWING INCLUDING THE
DESIGNS IS THE PROPERTY OF
KONNECT RF AND IS NOT TO
BE USED FOR ANY PURPOSE
WITHOUT OUR APPROVAL.

Component

Body & Coupling Cap

Center Contact

Insulator

Material

Brass

BeCu

PTFE

Plating

Gold

Gold