



# BELGIAN SHEPHERD

HPUE Optimized PRO Series Antenna



The Belgian Shepherd HPUE Optimized PRO Series is a 4G/5G, omni-directional antenna, with 2X2 MIMO cellular, 2X2 MIMO Wi-Fi, Band 14, and GPS. The Belgian Shepherd HPUE Optimized is designed for high performance of 600 MHz – 6 GHz and specifically tuned for Band 14 for public safety transportation & fleet.

This PRO series, IP67 rated antenna is a mobile external antenna with a curved top design that is power wash safe for public safety fleets. The Belgian Shepherd HPUE is the ideal network solution for rural regions that require long distance connectivity with challenging terrain.

Patent Pending



1st to 5G

Configurations 4:1 | 6:1

Transportation & Fleet | Assured Wireless AW12 | Urban Coverage Holes



## Long Range

Connect in Rural & Urban Environments

## High Power User Equipment

Maximum Range, Coverage, & Capacity

## Durable

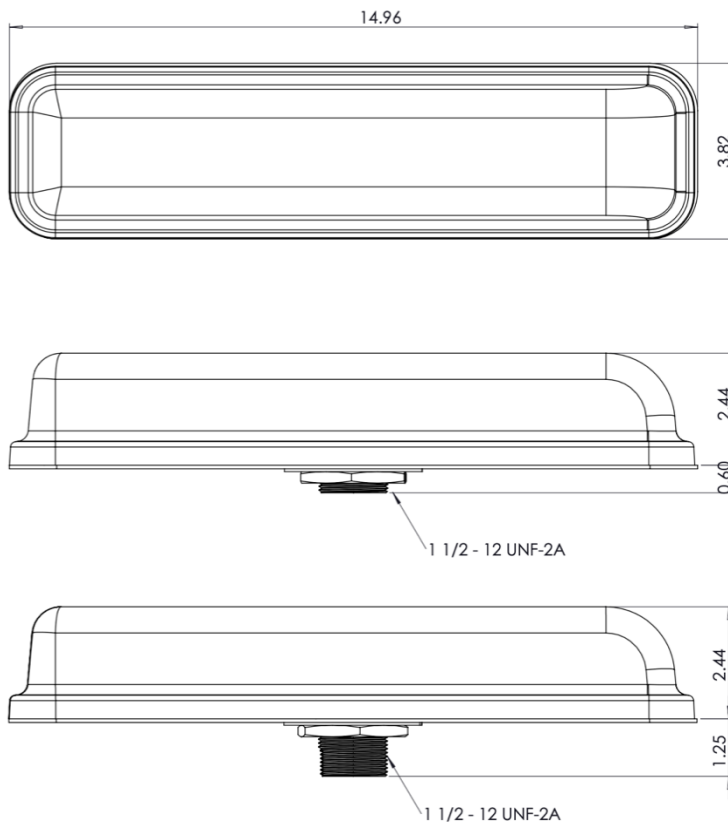
IP67 Rated & Power Wash Safe

- 2X2 MIMO CELLULAR
- OPTIONAL 2X2 MIMO WI-FI
- BAND 14
- OMNI-DIRECTIONAL
- GPS/ GNSS
- 600 MHz – 6 GHz
- 2.44 in X 3.82 in X 14.96 in

# Specifications

Frequencies			
4G/5G Cellular	617-894 MHz 1710-2700 MHz 3300-4000 MHz 5150-5925 MHz	Wi-Fi	2400-2483.5 MHz 4900-5900 MHz
4G/5G Bands			
North America	B2, B4, B5, B7, B12, B13, B14, B17, B25, B26, B29, B30, B41, B46, B48, B66, B71 n2, n5, n12, n25, n26, n41, n48, n66, n71, n77		
EMEA	B1, B3, B7, B20, B28, B42, B43, B46 n1, n3, n28, n77, n78		
Mechanical		Environmental	
Dimensions	2.44 inch X 3.82 inch X 14.96 inch	Operating Temperature	-30 °C to 85°C OR -22°F to 180°F
Mounting	Single 1.5 inch	Ingress Protection	IP67

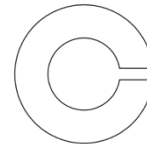
## Dimensions



### Hardware Accessories

PTA0319-316

PTA0317-316



## Product Images



## Electrical Specifications

<b>ID &amp; Unit</b>	<b>Port</b>	<b>Parameters</b>	<b>Typ.</b>
<b>Radiated Efficiency (%)</b>	CELL 1, 2, B14	617-894 MHz	70
	CELL 1, 2, B14	1710-2700 MHz	80
	CELL 1, 2, B14	3400-4000 MHz	60
	CELL 1, 2, B14	5150-5925 MHz	50
	GPS	1575.42 MHz	80
	Wi-Fi 1, 2	2400-2483.5 MHz	70
	Wi-Fi 1, 2	4900-5900 MHz	70
<b>Peak Gain (dBi)</b>	CELL 1, 2, B14	617-894 MHz	5
	CELL 1, 2, B14	1710-2700 MHz	7
	CELL 1, 2, B14	3400-4000 MHz	7
	CELL 1, 2, B14	5150-5925 MHz	5
	Wi-Fi 1, 2	2400-2483.5 MHz	7
	Wi-Fi 1, 2	4900-5900 MHz	8

<b>Return Loss 50Ω (dB)</b>	CELL 1, 2, B14	617-894 MHz	8
	CELL 1, 2, B14	1710-2700 MHz	10
	CELL 1, 2, B14	3400-4000 MHz	7
	CELL 1, 2, B14	5150-5925 MHz	5
	GPS	1575.42 MHz	12
	Wi-Fi 1, 2	2400-2483.5 MHz	7
	Wi-Fi 1, 2	4900-5900 MHz	8
<b>Isolation (dB)</b>	CELL 1 to 2	617-894 MHz	7.5
	CELL 1 to 2	1710-2700 MHz	18
	CELL 1 to 2	3400-4000 MHz	20
	CELL 1 to 2	5150-5925 MHz	20
	B14 to CELL 2	617-894 MHz	15
	B14 to CELL 2	1710-2700 MHz	23
	B14 to CELL 2	3400-4000 MHz	23
	B14 to CELL 2	5150-5925 MHz	25
	Wi-Fi 1, 2	2400-2483.5 MHz	17
Wi-Fi 1, 2	4900-5900 MHz	18	
<b>Polarization (dBi)</b>	CELL, B14, Wi-Fi GPS		Linear RHCP
<b>Max Input Power (Watts)</b>	CELL, B14, Wi-Fi		10
<b>GNSS Preamp Gain (dB)</b>	GPS		28
<b>GNSS Preamp Voltage (V)</b>	GPS		2.2 to 5.0
<b>RF Connectors</b>	CELL, B14, GPS Wi-Fi		SMA(M) RPSMA(M)
<b>RF Cable Type</b>	CELL, B14, Wi-Fi GPS		LSR200 LSR100
<ul style="list-style-type: none"> <li>• Electrical specifications based on antenna with a 2 ft x 2 ft external ground plane.</li> <li>• Isolation, return loss, and peak gain do not include cable loss.</li> <li>• SMA connectors have a max torque of 3-5 inch lbs.</li> <li>• NF connectors have a max torque of 6.2-9.7 inch lbs.</li> <li>• <a href="#">Parsec is currently phasing out inventory with LTE on our Cellular cables (now labeled CELL). For cables labeled LTE, please refer port "CELL" in the data sheets and installation instructions.</a></li> </ul>			

# Part Number Key

Part number example of a 6:1 Belgian Shepherd (HPUE Optimized): PRO6BS2L142WG15B

Description	Abbreviation	Part Number
All PRO Series	PRO	PRO
Number of Antennas in Housing/Configuration	6:1	PRO6
Antenna Abbreviation for Belgian Shepard	BS	PRO6BS
Number of CELL Elements	#L	PRO6BS2L
Band 14 Specifically for HPUE Optimized Products	14	PRO6BS2L14
Number of Wi-Fi Elements	#W	PRO6BS2L14W
Number of GPS Elements (usually only 1 GPS per antenna, therefore we simply list G and no number)	G	PRO6BS2L142WG
Cable Length Measured in Feet: 01=1', 15=15'	01, 15, etc.,	PRO6BS2L142WG15
Radome Color - B for Black, W for White	B or W	PRO6BS2L142WG15B
If SMA Connector, Simply Leave Blank		PRO6BS2L142WG15B
Leave Blank for Standard 1.25" Bolt S=Short Bolt of 0.6"	S	PRO6BS2L142WG15BS
<b>Custom connectors and cable kits are available. Please contact us for more information at <a href="mailto:sales@parsec-t.com">sales@parsec-t.com</a>.</b>		

## Ordering

### Standard Antennas

Config.	Part Number	Description
4:1	PRO4BS2L14G15B	2 Cellular, Band 14, GPS, 15 ft Cable, Black
	PRO4BS2L14G15BS	2 Cellular, Band 14 GPS, 15 ft Cable, Black, Short Bolt
	PRO4BS2L14G15W	2 Cellular, Band 14, GPS, 15 ft Cable, White
	PRO4BS2L14G15W	2 Cellular, Band 14, GPS, 15 ft Cable, White
6:1	PRO6BS2L142WG15B	2 Cellular, Band 14, 2 Wi-Fi, GPS, 15 ft Cable, Black
	PRO6BS2L142WG15BS	2 Cellular, Band 14, 2 Wi-Fi, GPS, 15 ft Cable, Black, Short Bolt
	PRO6BS2L142WG15W	2 Cellular, Band 14, 2 Wi-Fi, GPS, 15 ft Cable, White
	PRO6BS2L142WG15WS	2 Cellular, Band 14, 2 Wi-Fi, GPS, 15 ft Cable, White, Short Bolt

### Non-Standard Antennas

Config.	Part Number	Description
4:1	PRO4BS2L14G15WS	2 Cellular, Band 14, GPS, 15 ft Cable, White, Short Bolt
6:1	PRO6BS2L142WG15W	2 Cellular, Band 14, 2 Wi-Fi, GPS, 15 ft Cable, White
	PRO6BS2L142WG15WS	2 Cellular, Band 14, 2 Wi-Fi, GPS, 15 ft Cable, White, Short Bolt

## *Hardware Accessories*

<i>Accessory</i>	<i>Part Number</i>
Pole Mount Bracket	PTA0638
Customizable Pole Mount Bracket	PTA0640
Roof Mount Bracket Assembly with L Bracket	PTA0641
Magnetic Boot Mount – Black	PTA0329
Replacement Rooftop Gasket	PTA0292
Gasket Assembly – Dodge Charger	PTA0342
Gasket Assembly – 2021 Ford Explorer	PTA0643
One-side Adhesive Gasket	PTA0454
Hardware Kit for 1.5" Shaft – Nut/Washer	PTA0761
1.5" Star Washer	PTA0257
Ground Plane with Adhesive Back, 20 in x 20 in, Can Be Cut to Size	PTA0587
Lightning Arrestor – SMA(F) to SMA(F)	PTA0476
Lightning Arrestor – N(F) to N(M)	PTA0736
SMA Wrench, Key Chain	PTA0194
Service: Cable Sleeving (Priced Per Ft)	Cable Sleeving



***Parsec Antennas***

***972-804-4600***

***support@parsec-t.com***