



Ideal for

- Emergency Communications
- Wireless Internet Access (Primary & Failover)
- Simultaneous Operation of Dual SIMs
- High Speed/High Quality Video Transmission

St. Bernard

Emergency Mobile Hot Spot

Up to 9 in 1



- WIFI 6
- 5G Ready
- 4X4 MIMO LTE
- 4x4 MIMO Wi-Fi
- GPS/GNSS

Features

- CAT 18
- PORTABLE CASE
- IP67 WATERPROOF
- 617 MHz - 5925 MHz*
- HIGH EFFICIENCY
- HIGH PERFORMANCE

*See inside for details



Product Description

Parsec's St. Bernard Emergency Series Box is a portable emergency IP67 rated box with 9 antennas built into the cover. The internal antennas include double (CAT 18) MIMO LTE, double MIMO WiFi, and GNSS external waterproof antennas.

The St. Bernard supports the simultaneous operation of two separate LTE modems for CAT4, 6, 11, 12 or a single CAT 18 that requires a 4x4 MIMO LTE. This rugged, impact resistant 9:1 antenna in a box works on all the common North American LTE bands with high efficiency. It also supports CBRS and LAA.



Operation Time

- Chargetech 54k Battery: 20 - 24hrs

Frequency Ranges

- | | |
|----------------------------|-----------------------------|
| LTE Frequency Range | WiFi Frequency Range |
| • 617-894 MHz | • 2400 - 2483.5 MHz |
| • 1710 - 2700 MHz | • 4900 - 5900 MHz |
| • 3400 - 4000 MHz | |
| • 5150 - 5925 MHz | |

Specifications

LTE Bands (US Carriers)

AT&T	2, 4, 5, 14, 17, 29, 30, 46, 48, 66
Verizon	2, 4, 5, 13, 46, 48, 66
T-Mobile	2, 4, 12, 46, 48, 66
Sprint	2, 25, 26, 41, 46, 48

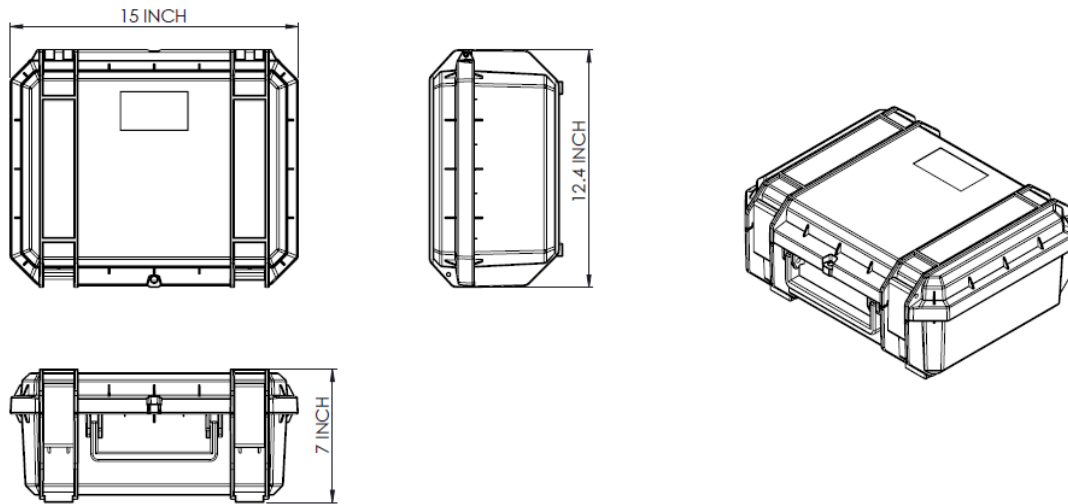
Mechanical

Dimensions	15" x 12.4" x 7"
Internal Dimensions (LxWxH)	13.6" x 9.9" x 6.1"
Lock Hole Diameter	0.35 INCH
RF Cable Length	15 INCH cables

Environmental

Operating Temperature	-40°C to 85°C
Ingress Protection	IP67 waterproof when closed

Product Dimensions



Electrical Specifications

ID	Port	Parameters	Units		Typ.	
Radiated Efficiency	LTE-1,2,3,4	617 – 894 MHz	%		70	
	LTE-1,2,3,4	698 – 984 MHz		85		
	LTE-1,2,3,4	1710 – 2200 MHz		85		
	LTE-1,2,3,4	2200 – 2700 MHz		70		
	LTE-1,2,3,4	3400 – 4000 MHz		50		
	LTE-1,2,3,4	5150 – 5925 MHz		40		
	GPS	1575.42 MHz		80		
	WiFi-1 thru 4	2400 – 2483.5 MHz		80		
	WiFi-1 thru 4	4900 – 5900 MHz		70		
Peak Gain	LTE-1,2,3,4	617 – 698 MHz	dBi		2	
	LTE-1,2,3,4	698 – 894 MHz		5		
	LTE-1,2,3,4	1710 – 2200 MHz		5		
	LTE-1,2,3,4	2200 – 2700 MHz		5		
	LTE-1,2,3,4	3400 – 4000 MHz		4		
	LTE-1,2,3,4	5150 – 5925 MHz		6		
	GPS	1575.42 MHz		6		
	WiFi-1,2,3,4	2400 – 2483.5 MHz		4		
	WiFi-1,2,3,4	4900 – 5900 MHz		6		
Return Loss (50 Ω)	LTE-1,2,3,4	617 – 698 MHz	dB		7.5	
	LTE-1,2,3,4	698 – 894 MHz		9		
	LTE-1,2,3,4	1710 – 2200 MHz		11		
	LTE-1, 2,3,4	2200 – 2700 MHz		7		
	LTE-1,2,3,4	3400 – 4000 MHz		8		
	LTE-1,2,3,4	5150 – 5925 MHz		8		
	GPS	1575.42 MHz		12		
	WiFi-1,2,3,4	2400 – 2483.5 MHz		14		
	WiFi-1,2,3,4	4900 – 5900 MHz		10		

Electrical Specifications

ID	Port	Parameters	Units	Typ.
Isolation	LTE	617 – 894 MHz	dB	12
	LTE	1710 – 2700 MHz		20
	LTE	3400 – 4000 MHz		25
	LTE	5150 – 5925 MHz		35
	WiFi	2400 – 2483.5 MHz		19
	WiFi	4900 – 5900 MHz		25
Polarization	LTE, WiFi		dB	Linear
	GPS			RHCP
Max Input Power	LTE, WiFi		Watts	10
GNSS Preamp Gain	GPS		dB	28
GNSS Preamp Voltage	GPS		V	2.2 to 5.0
RF Connectors	LTE, GPS			SMA(M)
	WiFi			RP-SMA
RF Cable Type	LTE, WiFi			RG-316
	GPS			LSR100
Notes:				
<ol style="list-style-type: none"> 1. Electrical specifications based on antenna mounted in the lid of the plastic enclosure. 2. Isolation and return loss include cable loss from 11-inch-long cables supplied. 				

Notes:

Battery, Router, and SIM card are not included. Customers should contact Parsec's authorized Distributors and VAR's listed on our website for a full list of routers and other options that will complete the Emergency Hot Spot.

SMA connectors have a max torque of 3-5 inch lbs.

For more information on the case, please visit:

<http://www.seahorsecases.com/seahrose-se530-waterproof-protective-equipment-case.html>

Ordering

Our St. Bernard Antenna consists of a Protective Case with an antenna built into the lid.

Configurations	Part Number	Description
9:1	PRO9SB4L4WG	4 LTE, 4 WiFi, GPS, black case with antenna built into lid
9:1	PRO9SB4L4WG-G	4 LTE, 4 WiFi, GPS, black case with antenna built into lid. ChargeTech Battery Option (Battery Not Included) (see antenna options for description).
9:1	PRO9SB4L4WG-L	4 LTE, 4 WiFi, GPS, black case with antenna built into lid with AC adapter (see antenna options for description).
9:1	PRO9SB4L4WG-A	4 LTE, 4 WiFi, GPS, black case with antenna built into lid with AC adapter (see antenna options for description).

Part Number Key

Part number example of a 9:1 ST. Bernard antenna PRO9SB4L4WG

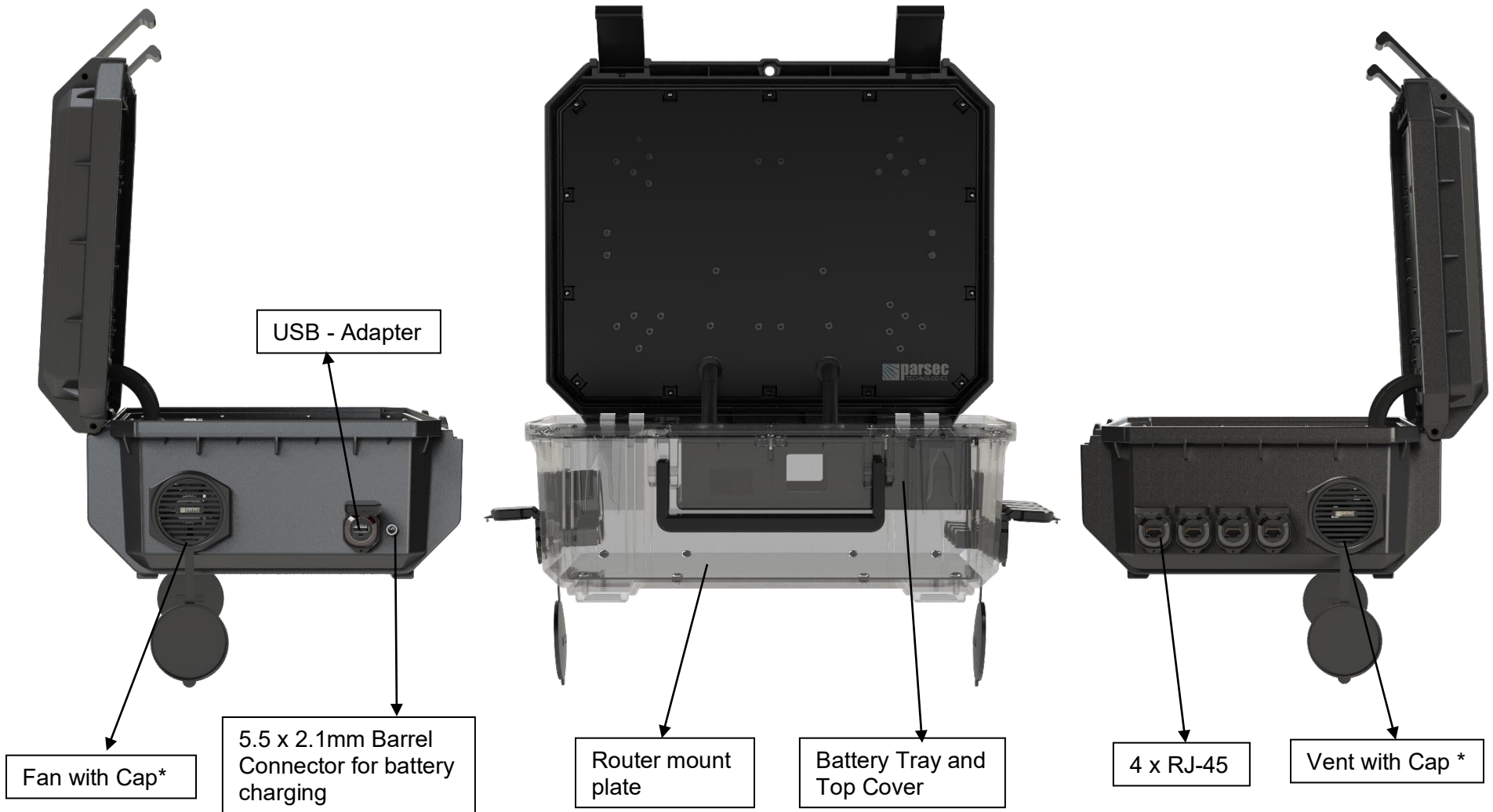
Description	Abbreviation	Part Number
All PRO Series	PRO	PRO
Number of antennas in housing/configuration	9:1	PRO9
Antenna abbreviation for St. Bernard	SB	PRO9SB
Number of LTE Elements	# L	PRO9SB4L
Number of WiFi Elements	# W	PRO9SB4L4W
Number of GPS Elements (usually only 1 GPS per antenna, therefore we simply list G and no number)	G	PRO9SB4L4WG
Optional G version– includes the below options	-G	PRO9SB4L4WG-G
Optional L version – includes the below options	-L	PRO9SB4L4WG-L
Optional G version – Includes the below options	- A	PRO9SB4L4WG-A
Router mount plate		PTA0394

Antenna Options

Description	PRO9SB4L4WG	PRO9SB4L4WG-G	PRO9SB4L4WG-L	PRO9SB4L4WG-A
PRO9SB4L4WG	YES	YES	YES	YES
FAN	NO	YES	YES	NO
A/C Adapter	NO	NO	YES	YES
Barrel Connector	NO	YES	NO	NO
1x USB Adapter	NO	YES	NO	NO
4x RJ-45 Connectors	NO	YES	YES	NO
Router Mount Plate	NO	YES	YES	YES
Top Cover	NO	YES	YES	YES
Battery Tray	NO	YES	NO	NO

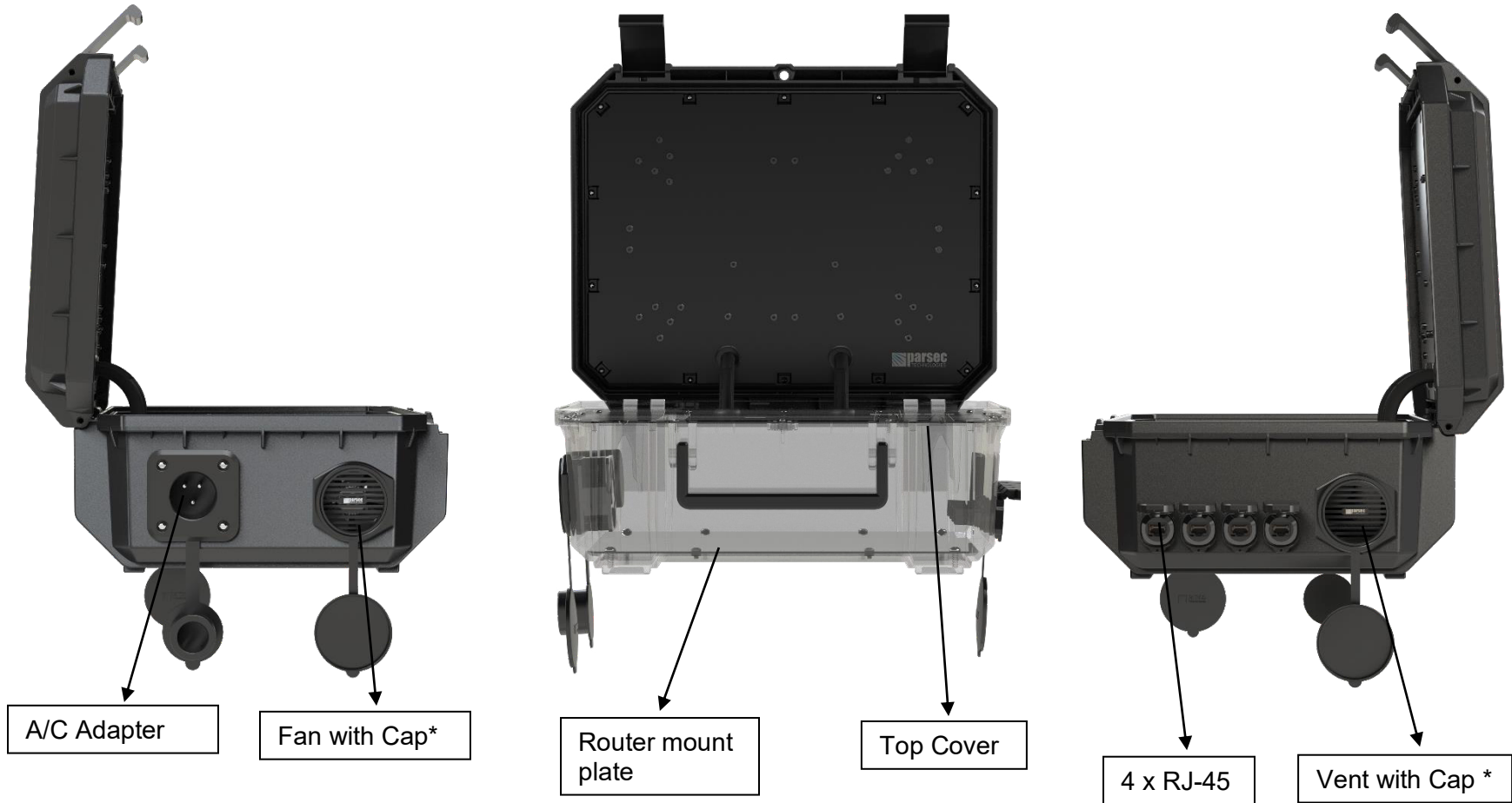
Note: Battery not included with Antenna. Must be purchased separately.

PRO9SB4L4WG-G



*Always open the fan cap and vent cap during operation

PRO9SB4L4WG-L



*Always open the fan cap and vent cap during operation

Ordering

Accessories

PRO9SB4L4WG-G	
Included	Ethernet Cord (4), USB Cord (1)
Not Included	Ethernet Cord (4) - https://www.mcmaster.com/ethernet-cords/ethernet-cords-7/ USB Cord (1) - https://www.mcmaster.com/usb-cords/usb-cords-6/ Power Supply (1) - https://cradlepoint.com/product/accessories/cor-ibr600b-c-series-wall-power-adapter/ ChargeTech 54k AC Battery Pack (1) - https://chargetech.com/product/plug-portable-power-supply/

PRO9SB4L4WG-L	
Included	Ethernet Cord (4)
Not Included	Ethernet Cord (4) - https://www.mcmaster.com/ethernet-cords/ethernet-cords-7/ Power Supply (1) - https://cradlepoint.com/product/accessories/cor-ibr600b-c-series-wall-power-adapter/ Power Extension (1) -

PRO9SB4L4WG-A	
Not Included	Power Supply (1) - https://cradlepoint.com/product/accessories/cor-ibr600b-c-series-wall-power-adapter/ Power Extension (1) - https://www.mcmaster.com/power-cords/extension-cords/extension-cords-7/

