



Balance 2500

Enterprise SD-WAN for Headquarters.

At a Glance



Up to 12x

Ethernet WAN
(Gigabit Ethernet)



Up to 8x

Ethernet LAN
(Gigabit Ethernet)



1x

USB WAN Port



8Gbps

Stateful Firewall
Throughput



2Gbps

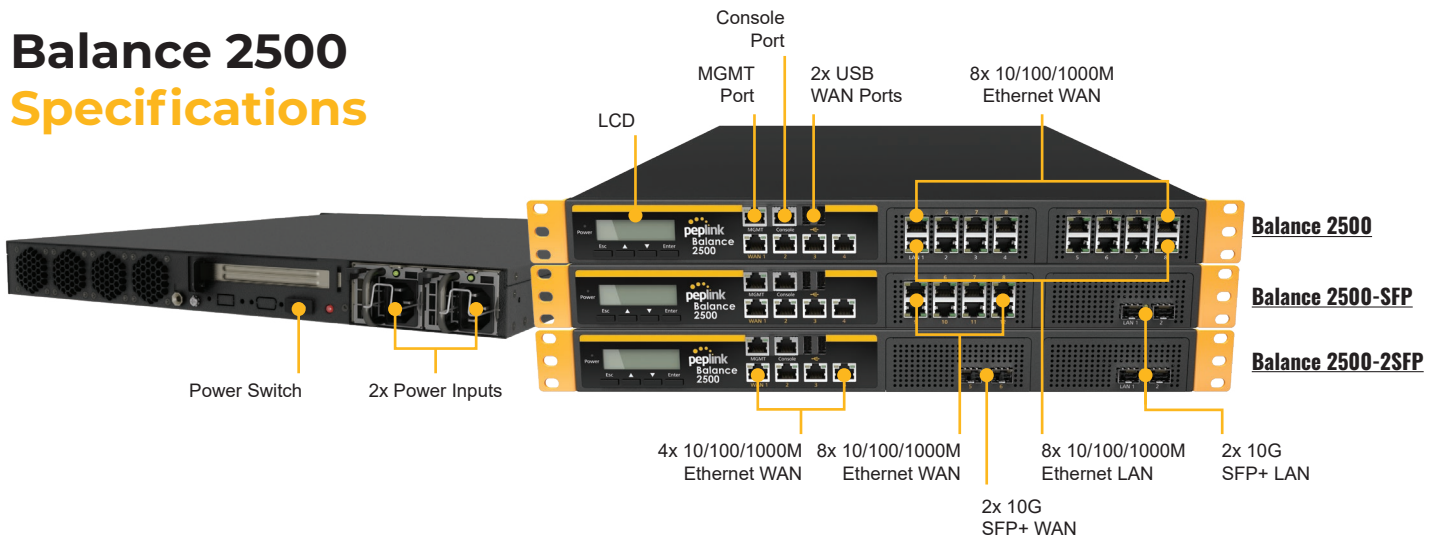
PepVPN Throughput
(256-bit AES)



4000

VPN Peers

Balance 2500 Specifications



	BPL-2500	BPL-2500-SFP	BPL2500-2SFP		BPL-2500	BPL-2500-SFP	BPL-2500-2SFP
WAN Interface	12 (GE) 1x USB	12 (GE) 1x USB	4 (GE) 1x USB 2 (10G SFP+)	LACP (802.3ad) NIC Bonding	Yes	-	-
LAN Interface	8 (GE)	2 (10G SFP+)	2 (10G SFP+)	High Availability			Yes
Drop-in Mode		Yes		Remote AP & Multiple Config Profiles Management			Yes
SpeedFusion Hot Failover		Yes		1U Rack-mount			Yes
SpeedFusion WAN Smoothing		Yes		Dual Hot Swap Power Supply			Yes
SpeedFusion Bandwidth Bonding		Yes		Web blocking			Yes
Central Management		InControl 2		Bandwidth Usage Monitor			Yes
Content Filtering		Full		QoS for VoIP and E-commerce			Yes
Stateful Firewall Throughput		8 Gbps		User Groups Bandwidth Control			Yes
PepVPN Throughput (No Encryption)		2 Gbps		Recommended Users			5000 - 20000
PepVPN Throughput (256-bit AES)		2 Gbps		Power Consumption			230 W
Number of PepVPN SpeedFusion Peers		4000		Dimensions (W x D x H)	16.8 x 21.7 x 1.73 inches / 42.6 x 55 x 4.4 cm		
Maximum Number of AP Supported		1500		Weight	26.5 pounds / 12 kg		
LAN Bypass	Yes			Operating Temperature	32°– 104° F / 0°– 40° C		
L2TP / PPTP VPN Server	Yes			Certifications	FCC, CE, RoHS		
Manage Pepwave AP	Yes			Warranty	1-Year Limited Warranty		
Remote User Access	Yes			Package Content	1x Balance 2500 2x Power Cord (ACW-614) 2x Rack Unit Rails 1 Pair of Mounting Brackets (ACW-382) 1 SATA 2.5"/3.5" (HDD/SSD) cable		

Ordering Information

Product Code	Model	Description
BPL-2500	Balance 2500	(For copper-based LAN). Equipped with 8 (GE) LAN ports and supporting LACP (802.3ad) NIC bonding.
BPL-2500-SFP	Balance 2500	(For fiber-based LAN). Equipped with two 10G SFP+ LAN ports.
BPL-2500-2SFP	Balance 2500	(For fiber-based LAN). Equipped with two 10G SFP+ WAN ports, four (GE) WAN ports, and two 10G SFP+ LAN ports.