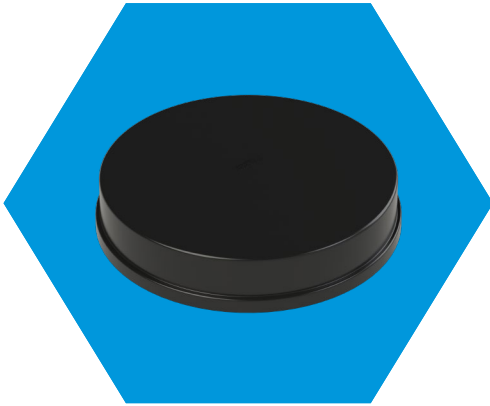


Ideal for

- First Responders
- Transportation/Fleet
- Remote Video Monitoring
- Mobile Broadband

Great Pyrenees



- 8x8 MIMO LTE
- 2x2 MIMO WI-FI
- GPS
- IP67 RATED

Features

- 5G
- DOUBLE 4x4 MIMO LTE
- 600-6000 MHz*
- HIGH EFFICIENCY
- HIGH PERFORMANCE



Product Description

The Great Pyrenees series antennas are the first to market with 8X8 MIMO LTE in a single, compact housing. This high-performance, IP67 rated 5G antenna with double 4X4 MIMO LTE, 2x2 MIMO Wi-Fi, Bluetooth, and GPS is perfect for mobile and fixed wireless applications.

This rugged, omni-directional antenna supports two separate LTE modems ideal for first responders and transportation network solutions. The Great Pyrenees works on all common North American LTE bands, including band 17, and supports PLTE and LAA.

Patent pending.



Frequency Ranges

| 5G/4G/LTE Frequency Range | Wi-Fi Frequency Range |
|---------------------------|-----------------------|
| 617 - 894 MHz | 2400 - 2483.5 MHz |
| 1710 - 2700 MHz | 4900 - 5900 MHz |
| 3300 - 4000 MHz | |
| 5150 - 5925 MHz | |

Specifications

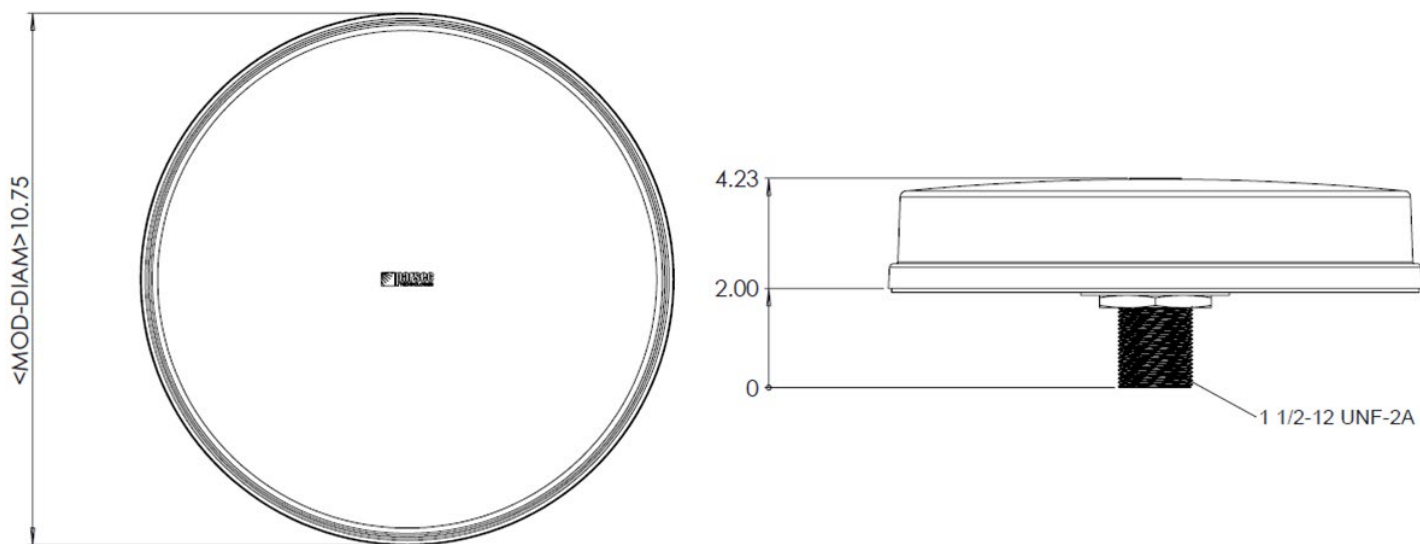
| 5G/4G/LTE Bands | |
|-----------------------|--|
| North America | B2, B4, B5, B7, B12, B14, B17, B25, B26, B29, B30, B41, B46, B48, B66, B71, n2, n5, n12, n25, n26, n41, n48, n66, n71, n77 |
| EMEA | B1, B3, B7, B20, B28, B42, B43, B46, n1, n3, n28, n77, n78 |
| Mechanical | |
| Dimensions | 10.75 inch diameter x 2.23 inch height, 5.34 inch height with optional magnetic mount |
| Mounting Hole | Single 1.5 in |
| RF Cable Length | Choice of 1 or 15 ft cable |
| Environmental | |
| Operating Temperature | -40°C to 85°C or -40°F to 185°F |
| Ingress Protection | IP67 waterproof |



MobileMustHave
MOBILE LIFESTYLE SOLUTIONS



Product Dimensions



Product Images



Great Pyrenees with pole mount



Great Pyrenees with magnetic mount



Electrical Specifications

| ID | Port | Parameters | Units | Typ. |
|----------------------------|---------------|-------------------|-------|------|
| Radiated Efficiency | LTE -1 thru 4 | 617 - 663 MHz | | 40 |
| | LTE -1 thru 4 | 663 - 746 MHz | | 50 |
| | LTE -1 thru 4 | 1710 - 2200 MHz | | 70 |
| | LTE -1 thru 4 | 2200 - 2700 MHz | | 80 |
| | LTE -1 thru 4 | 3300 - 4000 MHz | | 85 |
| | LTE -1 thru 4 | 5150 - 5925 MHz | | 80 |
| | LTE -5 thru 8 | 746 - 798 MHz | | 40 |
| | LTE -5 thru 8 | 798 - 894 MHz | | 40 |
| | LTE -5 thru 8 | 1710 - 2000 MHz | | 60 |
| | LTE -5 thru 8 | 2000 - 2700 MHz | | 70 |
| | LTE -5 thru 8 | 3300 - 4000 MHz | | 80 |
| | LTE -5 thru 8 | 5150 - 5925 MHz | | 65 |
| | GPS | 1575.42 MHz | | 80 |
| | WiFi-1,2 | 2400 - 2483.5 MHz | | 60 |
| | WiFi-1,2 | 4900 - 5900 MHz | | 60 |
| | Bluetooth | 2400 - 2483.5 MHz | | 60 |
| Peak Gain | LTE -1 thru 4 | 617 - 663 MHz | | 2.5 |
| | LTE -1 thru 4 | 663 - 746 MHz | | 5 |
| | LTE -1 thru 4 | 1710 - 2200 MHz | | 6 |
| | LTE -1 thru 4 | 2200 - 2700 MHz | | 7 |
| | LTE -1 thru 4 | 3300 - 4000 MHz | | 8 |
| | LTE -1 thru 4 | 5150 - 5925 MHz | | 8 |
| | LTE -5 thru 8 | 746 - 798 MHz | | 3 |
| | LTE -5 thru 8 | 798 - 894 MHz | | 3 |
| | LTE -5 thru 8 | 1710 - 2000 MHz | | 6 |
| | LTE -5 thru 8 | 2000 - 2700 MHz | | 7 |
| | LTE -5 thru 8 | 3300 - 4000 MHz | | 8 |
| | LTE -5 thru 8 | 5150 - 5925 MHz | | 8 |
| | GPS | 1575.42 MHz | | 6 |
| | WiFi-1,2 | 2400 - 2483.5 MHz | | 7 |
| | WiFi-1,2 | 4900 - 5900 MHz | | 9 |
| | Bluetooth | 2400 - 2483.5 MHz | | 7 |
| Return Loss (50 Ω) | LTE -1 thru 4 | 617 - 663 MHz | | 6 |
| | LTE -1 thru 4 | 663 - 746 MHz | | 8 |
| | LTE -1 thru 4 | 1710 - 2200 MHz | | 11 |
| | LTE -1 thru 4 | 2200 - 2700 MHz | | 8 |
| | LTE -1 thru 4 | 3300 - 4000 MHz | | 6 |
| | LTE -1 thru 4 | 5150 - 5925 MHz | | 6 |
| | LTE -5 thru 8 | 746 - 798 MHz | | 10 |
| | LTE -5 thru 8 | 798 - 894 MHz | | 5 |
| | LTE -5 thru 8 | 1710 - 2000 MHz | | 9 |
| | LTE -5 thru 8 | 2000 - 2700 MHz | | 5 |
| | LTE -5 thru 8 | 3300 - 4000 MHz | | 6 |
| | LTE -5 thru 8 | 5150 - 5925 MHz | | 3 |
| | GPS | 1575.42 MHz | | 10 |
| | WiFi-1,2 | 2400 - 2483.5 MHz | | 11 |
| | WiFi-1,2 | 4900 - 5900 MHz | | 6 |
| | Bluetooth | 2400 - 2483.5 MHz | | 11 |



Electrical Specifications (continued)

| ID | Port | Parameters | Units | Typ. |
|--|-------------------|-------------------|-------|------------|
| Isolation | LTE - MIMO_1 | 617 - 746 MHz | | 16 |
| | LTE - MIMO_1 | 1710 - 2200 MHz | | 18 |
| | LTE - MIMO_1 | 2200 - 2700 MHz | | 21 |
| | LTE - MIMO_1 | 3300 - 4000 MHz | | 25 |
| | LTE - MIMO_1 | 5150 - 5925 MHz | | 30 |
| | LTE - MIMO_5 | 746 - 894 MHz | | 10 |
| | LTE - MIMO_5 | 1710 - 2700 MHz | | 14 |
| | LTE - MIMO_5 | 3300 - 4000 MHz | | 16 |
| | LTE - MIMO_5 | 5150 - 5925 MHz | dB | 30 |
| | LTE - Adjacent | 617 - 746 MHz | | 6 |
| | LTE - Adjacent | 746 - 894 MHz | | 8 |
| | LTE - Adjacent | 1710 - 2000 MHz | | 14 |
| | LTE - Adjacent | 2000 - 2700 MHz | | 20 |
| | LTE - Adjacent | 3300 - 4000 MHz | | 18 |
| | LTE - Adjacent | 5150 - 5925 MHz | | 25 |
| | WiFi | 2400 - 2483.5 MHz | | 23 |
| | WiFi | 4900 - 5900 MHz | | 22 |
| Bluetooth | 2400 - 2483.5 MHz | | 23 | |
| Polarization | LTE | | | Linear |
| | WiFi | | | Linear |
| | Bluetooth | | | Linear |
| | GPS | | | RHCP |
| Max Input Power | LTE | | | |
| | WiFi | | Watts | 5 |
| | Bluetooth | | | |
| GNSS Preamp Gain | GPS | | dB | 28 |
| GNSS Preamp Voltage | GPS | | V | 2.2 to 5.0 |
| RF Connector | LTE, GPS | | | SMA(M) |
| | WiFi | | | RP-SMA |
| | Bluetooth | | | RP-SMA |
| RF Cable Type | LTE, Wi-Fi | | | LSR200 |
| | Bluetooth | | | LSR200 |
| | GPS | | | LSR100 |
| Notes: | | | | |
| <ol style="list-style-type: none"> 1. Electrical specifications based on antenna with a 2 ft. x 2 ft. external ground plane. 2. Isolation and return loss does not include cable loss. 3. LTE-MIMO isolation is the isolation between elements grouped for 4x4 MIMO for one modem. 4. LTE-Adjacent isolation is the isolation between adjacent elements for separate modems. | | | | |



Ordering

Standard Antennas

| Configurations | Part Number | Description |
|----------------|------------------|---|
| 8:1 | PRO8GP8L15B | 8 LTE, 15ft cable, Black |
| 11:1 | PRO11GP8L2WG15B | 8 LTE, 2 Wi-Fi, GPS, 15ft cable, Black |
| 12:1 | PRO12GP8L2WBG15B | 8 LTE, 2 Wi-Fi, GPS, Bluetooth, 15ft cable, Black |

Non-Standard Antennas

| Configurations | Part Number | Description |
|------------------|--|---|
| 8:1 | PRO8GP8L01B | 8 LTE, 1ft cable, Black |
| | PRO8GP8L01W | 8 LTE, 1ft cable, White |
| | PRO8GP8L15B | 8 LTE, 15ft cable, Black |
| | PRO8GP8L15W | 8 LTE, 15ft cable, White |
| 11:1 | PRO11GP8L2WG07B | 8 LTE, 2 Wi-Fi, GPS, 7ft cable, Black |
| | PRO11GP8L2WG07BM | 8 LTE, 2 Wi-Fi, GPS, 7ft cable, Black, Magnetic Mount |
| | PRO11GP8L2WG07W | 8 LTE, 2 Wi-Fi, GPS, 7ft cable, White |
| | PRO11GP8L2WG07WM | 8 LTE, 2 Wi-Fi, GPS, 7ft cable, White, Magnetic Mount |
| | PRO11GP8L2WG15B | 8 LTE, 2 Wi-Fi, GPS, 15ft cable, Black |
| | PRO11GP8L2WG15BM | 8 LTE, 2 Wi-Fi, GPS, 15ft cable, Black, Magnetic Mount |
| | PRO11GP8L2WG15W | 8 LTE, 2 Wi-Fi, GPS, 15ft cable, White |
| PRO11GP8L2WG15WM | 8 LTE, 2 Wi-Fi, GPS, 15ft cable, White, Magnetic Mount | |
| 12:1 | PRO12GP8L2WBG15B | 8 LTE, 2 Wi-Fi, GPS, Bluetooth, 15ft cable, Black |
| | PRO12GP8L2WBG15BM | 8 LTE, 2 Wi-Fi, GPS, Bluetooth, 15ft cable, Black, Magnetic Mount |
| | PRO12GP8L2WBG15W | 8 LTE, 2 Wi-Fi, GPS, Bluetooth, 15ft cable, White |
| | PRO12GP8L2WBG15WM | 8 LTE, 2 Wi-Fi, GPS, Bluetooth, 15ft cable, White, Magnetic Mount |

Note: SMA connectors have a max torque of 3-5 in-lbs.



Part Number Key

Part number example of a 11:1 Great Pyrenees antenna, black: PRO11GP8L2WG15B

| Description | Abbreviation | Part Number |
|---|--------------|-----------------------|
| All PRO Series | PRO | PRO |
| Number of antennas in housing/configuration | 11:1 | PRO11 |
| Antenna abbreviation for Great Pyrenees | GP | PRO11GP |
| Number of LTE Elements | #L | PRO11GP8L |
| Number of Wi-Fi Elements | #W | PRO11GP8L2W |
| Number of GPS Elements (usually only 1 GPS per antenna, therefore we simply list G and no number) | G | PRO11GP8L2WG |
| Cable length measured in feet: 01=1', 15 =15' | 01, 15 | PRO11GP8L2WG15 |
| Radome Color - B for Black | B | PRO11GP8L2WG15B |
| Additional Options | | |
| Attached magnetic boot mount | M | PRO11GP8L2WG15BM |
| If SMA connector, simply leave blank | | PRO11GP8L2WG15B |
| N type female connector | -NF | PRO11GP8L2WG15B-NF |
| N type male connector | -NM | PRO11GP8L2WG15B-NM |
| Marine Grade | -MG | PRO11GP8L2WG15B-NM-MG |

Custom connectors and cable kits are available. Please contact us for more information.

Hardware Accessories

| Accessory | Part Number |
|--|----------------|
| Pole Mount Bracket (makes antenna fixed application) | PTA0149H |
| Pole Mount Bracket, Marine Grade, White | PTA0149H-MG-W |
| Pole Mount Bracket, Marine Grade, Black | PTA0149H-MG-B |
| Wall Mount Bracket | PTA0149H-W |
| Pole Mount Bracket, Horizontal Truss Mounting | PTA0149H-F |
| Pole Mount Bracket, Heavy Duty, High Vibration | PTA0721 |
| Ground Plane with Adhesive Back, 20in X 20in, can be cut to size | PTA0587 |
| Star Washer | PTA0257 |
| 3M Double Sided Adhesive Gasket | PTA0187 |
| Service: Cable Sleeving (priced per ft) | Cable Sleeving |



Parsec Antennas
972-804-4600
support@parsec-t.com



MobileMustHave
MOBILE LIFESTYLE SOLUTIONS