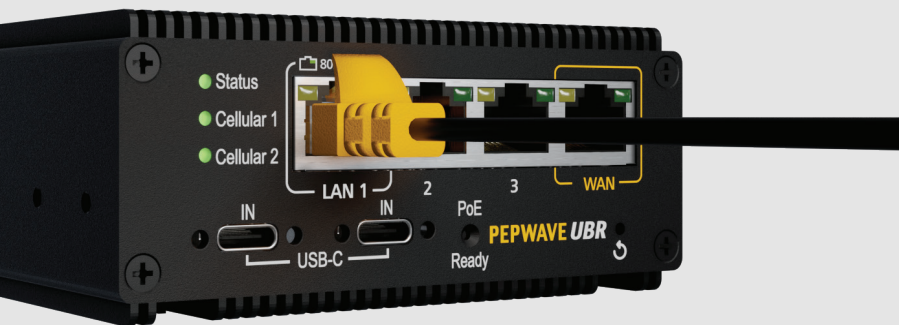
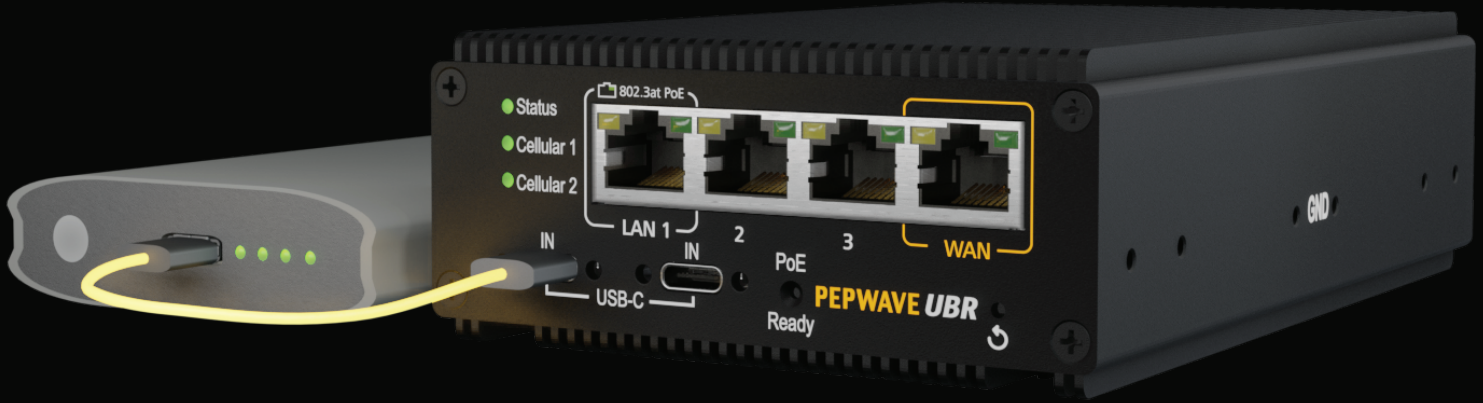


UBR Go

Connectivity On-The-Go

No More Downtime

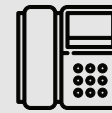
Its capability to be powered by a dual input USB-C powerbank allows users to experience unbreakable connectivity.



Explore your Creativity



IP Cam



Phone



Access Point

Redefining what you can achieve on the go with integrated PoE output for easy deployment of IP Cam, phone, and access point.

Grow your Possibilities

Its compact design offers twice the ethernet ports compared to typical "devices" giving you the flexibility to connect to multiple networks at the same time.

Stay Connected

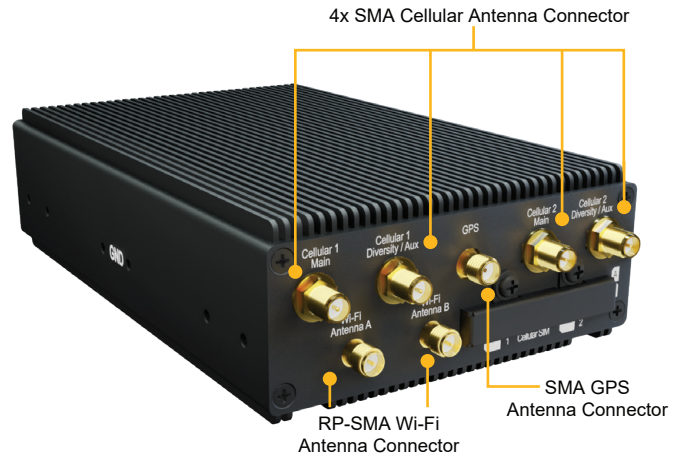
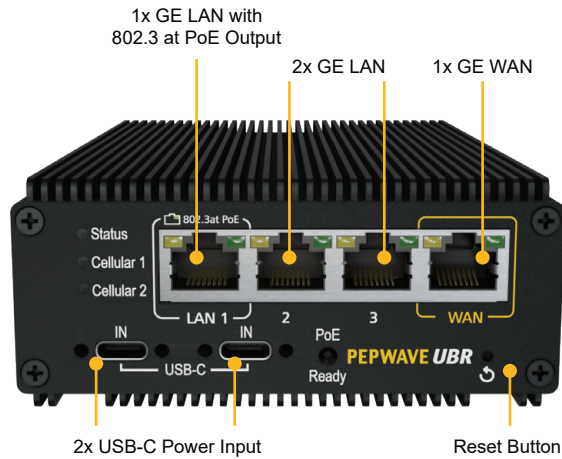
UBR Go comes FusionSIM "ready" ensuring connectivity is globally accessible. Users also have the option to customize data pools depending on needs. Experience enhanced performance without the price tag with our UBR Go and FusionSIM.

Customize to your Choices

Software configurable WAN port to become quad LAN ports to maximize flexibility of network.



UBR Go



Specifications

Cellular Wan Interfaces	Dual LTE Modems	Wi-Fi Standard	802.11ac/a/b/g/n 2x2 MIMO
SpeedFusion Hot Failover	Yes	Transmit Power (2.4GHz/ 5GHz)	19dBm/ 21dBm
SpeedFusion WAN Smoothing	Yes ^	Simultaneous Dual-Band Wi-Fi AP	Yes
SpeedFusion Bandwidth Bonding	Yes ^	Antenna Connectors	4x SMA Cellular, 1x SMA GPS, 2x RP-SMA Wi-Fi
Number of PepVPN SpeedFusion Peers	5 ^	Power Input	2x USB-C (15V, 3A)
WAN Interfaces	1x GE	Power Output	Power over Ethernet 802.3at
LAN Interfaces	3x GE	Power Consumption	11W, max. 20W
Load Balancing/Failover	Yes	Dimensions	6.3 x 3.8 x 1.3 inches/ 160 x 97 x 33.5 mm
Stateful Firewall Throughput	400Mbps	Weight	590 g / 1.3 pounds
SpeedFusion Throughput	No Encryption: 100Mbps 256-bit AES: 60Mbps	Operating Temperature	-40°– 149 °F / -40°– 65°C
Recommended Users	150	Humidity	15%–95% (non-condensing)
Downlink/Uplink Data Rate	300Mbps/ 50Mbps (LTE-A Modem) 600Mbps/ 150Mbps (LTE-A Pro Modem)	Warranty	1-Year Limited Warranty
		Package Content	UBR Go, 4x LTE Antenna, 2x Wi-Fi Antenna, 1xGPS Antenna, 1x 75W USB-C Power Supply, 1x USB-C to USB-C cable, 1 set of Ear Mount and screws

^ Requires PrimeCare Subscription, complimentary for the first year.

Ordering information

Product Code	Carrier/Region	Cellular Standard	4G Bands	3G Bands
UBR-GO-LTEA-R-T-PRM	America / CAT-12	LTE-A Pro	B1, B2, B3, B4, B5, B7, B8, B9, B12, B13, B18, B19, B20, B26, B28, B29, B30, B32, B41, B42, B43, B46, B48, B66	HSPA+: B1, B2, B4, B5, B6, B8, B9, B19
UBR-GO-LTEA-K-T-PRM	Global*/ CAT-12	LTE-A Pro	B1, B2, B3, B4, B5, B7, B8, B9, B12, B13, B18, B19, B20, B26, B28, B29, B30, B32, B41, B42, B43, B46, B48, B66	HSPA+: B1, B2, B4, B5, B6, B8, B9, B19
UBR-GO-LTEA-W-T-PRM	Worldwide/ CAT-6	LTE Advance	B1, B2, B3, B4, B5, B7, B8, B12, B13, B20, B25, B26, B29, B30, B41	WCDMA/HSPA+/DC-HSPA+: B1, B2, B3, B4, B5, B8
UBR-GO-LTEA-P-T-PRM	Asia-Pacific/ CAT-6	LTE Advance	B1, B3, B5, B7, B8, B18, B19, B21, B28, B38, B39, B40, B41	WCDMA/HSPA+/DC-HSPA+: B1, B5, B8, B9, B19 UMTS: B6, TD-SCDMA: B39

* China & HK TD LTE are excluded.

Feature Add On/ Accessories

Product Code	Description
ACW-DIN-TST	DIN Rail Mount for UBR Go
UBR-GO-LTEA-1Y	Peplink PrimeCare (1 Year) for UBR Go LTEA
UBR-GO-LTEA-2Y	Peplink PrimeCare (2 Year) for UBR Go LTEA
UBR-GO-LTEA-4Y	Peplink PrimeCare (4 Year) for UBR Go LTEA