

Ruby Sofa



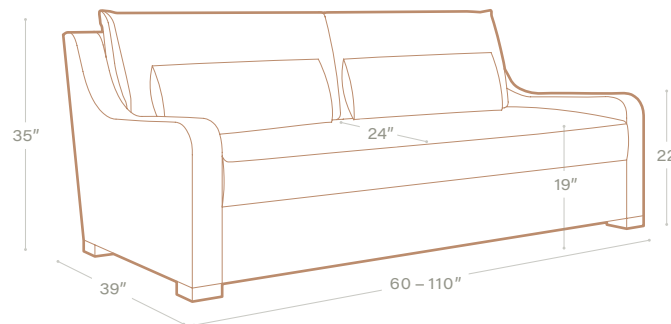
With its signature sloping arm profile and our most supportive backrest design, the Ruby Sofa features distinct lumbar pillows flowing down to a low-profile front, soft-edge seat base, and minimal block feet. Hidden details like the 8-way hand-tied spring suspension maintain comfort and support over time.

UPHOLSTERY OPTIONS

We offer a collection of 60+ fabrics and leathers, carefully chosen for durability and softness.

CUSTOMER'S OWN MATERIAL/LEATHER

For additional customization, we can upholster your piece in nearly any fabric or leather you provide. Reach out to support@mantlefurniture.com to start a COM/COL order.



length (in)	# of back cushions	# of seat cushions	center leg?
60	2 (+2 lumbar)	1	N
70	2 (+2 lumbar)	1	N
80	2 (+2 lumbar)	1	N
90	2 (+2 lumbar)	1	Y
100	2 (+2 lumbar)	1	Y
110	2 (+2 lumbar)	1	Y

Note: Number of cushions and legs varies based on sofa length. See table for details.