

Burke Sofa



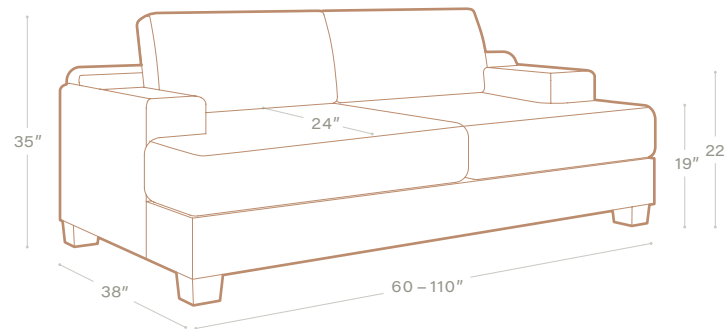
With its low, lounge-style design and deep seat, our Burke Sofa has a wide, functional arm, which is a great place to rest a book or a tray. Details like tapered wood legs and the soft, contemporary profile effortlessly match your style.

UPHOLSTERY OPTIONS

We offer a collection of 60+ fabrics and leathers, carefully chosen for durability and softness.

CUSTOMER'S OWN MATERIAL/LEATHER

For additional customization, we can upholster your piece in nearly any fabric or leather you provide. Reach out to support@mantlefurniture.com to start a COM/COL order.



length (in)	# of back cushions	# of seat cushions	center leg?
60	2	2	N
70	2	2	N
80	2	2	N
90	3	3	Y
100	3	3	Y
110	3	3	Y

Note: Number of cushions and legs varies based on sofa length. See table for details.