

Jasper Sofa



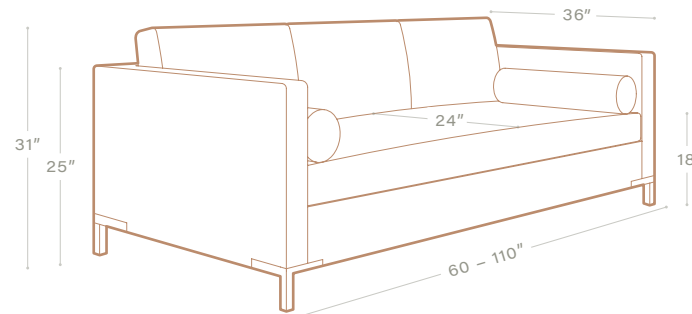
Clean lines meet total comfort in our Jasper Sofa. The modern, tailored silhouette adds formal elegance to any space, while soft bolster pillows and plush bench seating provide the perfect place to relax.

UPHOLSTERY OPTIONS

We offer a collection of 60+ fabrics and leathers, carefully chosen for durability and softness.

CUSTOMER'S OWN MATERIAL/LEATHER

For additional customization, we can upholster your piece in nearly any fabric or leather you provide. Reach out to support@mantlefurniture.com to start a COM/COL order.



| length (in) | # of back cushions | # of seat cushions | center leg? |
|-------------|--------------------|--------------------|-------------|
| 60 | 2 | 1 | N |
| 70 | 2 | 1 | N |
| 80 | 2 | 1 | N |
| 90 | 3 | 1 | Y |
| 100 | 3 | 1 | Y |
| 110 | 3 | 1 | Y |

Note: Number of cushions and legs varies based on sofa length. See table for details.