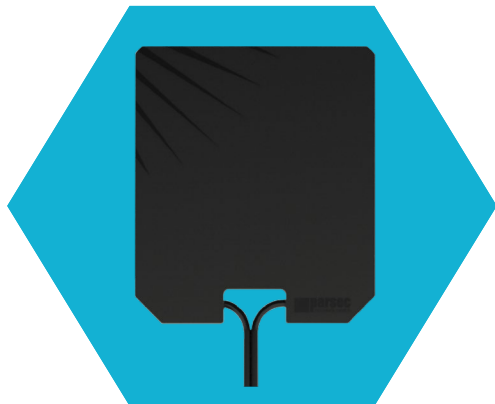




Ideal for

- Work From Home
- Fixed Wireless
- Home Network
- Remote Learning K-12
- Remote Monitoring



Falcon Antenna

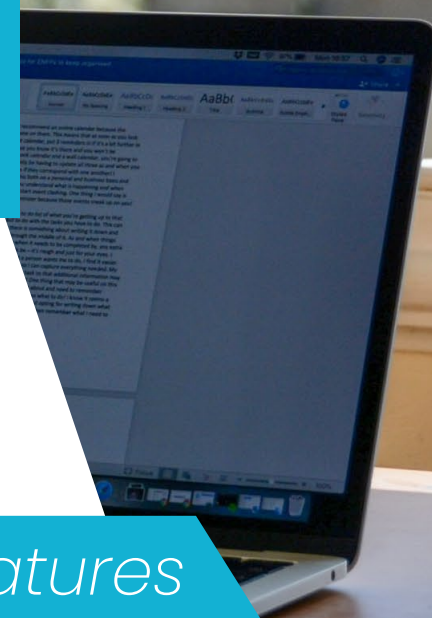
**+ MOUNTABLE CASE FOR NIGHTHAWK® M1,
NIGHTHAWK® M5, & NIGHTHAWK® M6 MOBILE
ROUTERS BY NETGEAR**



**Protective
Mountable
Case**

Features

- Window Mount
- Wall Mount
- Countertop Stand
- Lightweight
- MIMO LTE
- 617MHz - 6Ghz



Product Description

Parsec's new Falcon is a thin, lightweight antenna designed to boost upload and download speeds when paired with a NETGEAR Nighthawk® M1, Nighthawk® M5 mobile router, or Nighthawk® M6 mobile router. Fix the Falcon via window mount, wall mount or countertop stand options. A mountable case for compatible router or hotspot is included.

Falcon antenna was created to make working from home a breeze. The extended range keeps you connected through the day so you can focus on work or school. Detailed product information and options are available under NDA.

Parsec's Falcon is compatible with the following NETGEAR router and hotspot devices:

- MR1100 Nighthawk® LTE Mobile Hotspot Router
- MR5100 Nighthawk® 5G Mobile Hotspot Pro
- MR5200 Nighthawk® M5 5G WiFi 6 Mobile Router
- MR6500 Nighthawk® M6 Pro 5G WiFi 6E Mobile Hotspot Router

Included in the box:

- Falcon antenna with 6ft cables
- Protective and Mountable case for Nighthawk® M1, Nighthawk® M5, & Nighthawk® M6 mobile routers by NETGEAR
- Wall mounting hardware for Falcon
- 2 suction cups for window mounting

Patent pending.

LTE•Frequency Range

617 - 6000 MHz

Specifications

Mechanical	
Dimensions	6.10 in. W x 7.0 in. H x 0.9 in. D
Mounting	Built in legs, screw mount, or suction cups for window mounting.
RF Cable Length	6ft
Environmental	
Operating Temperature	-40°C to 85°C
Ingress Protection	Indoor

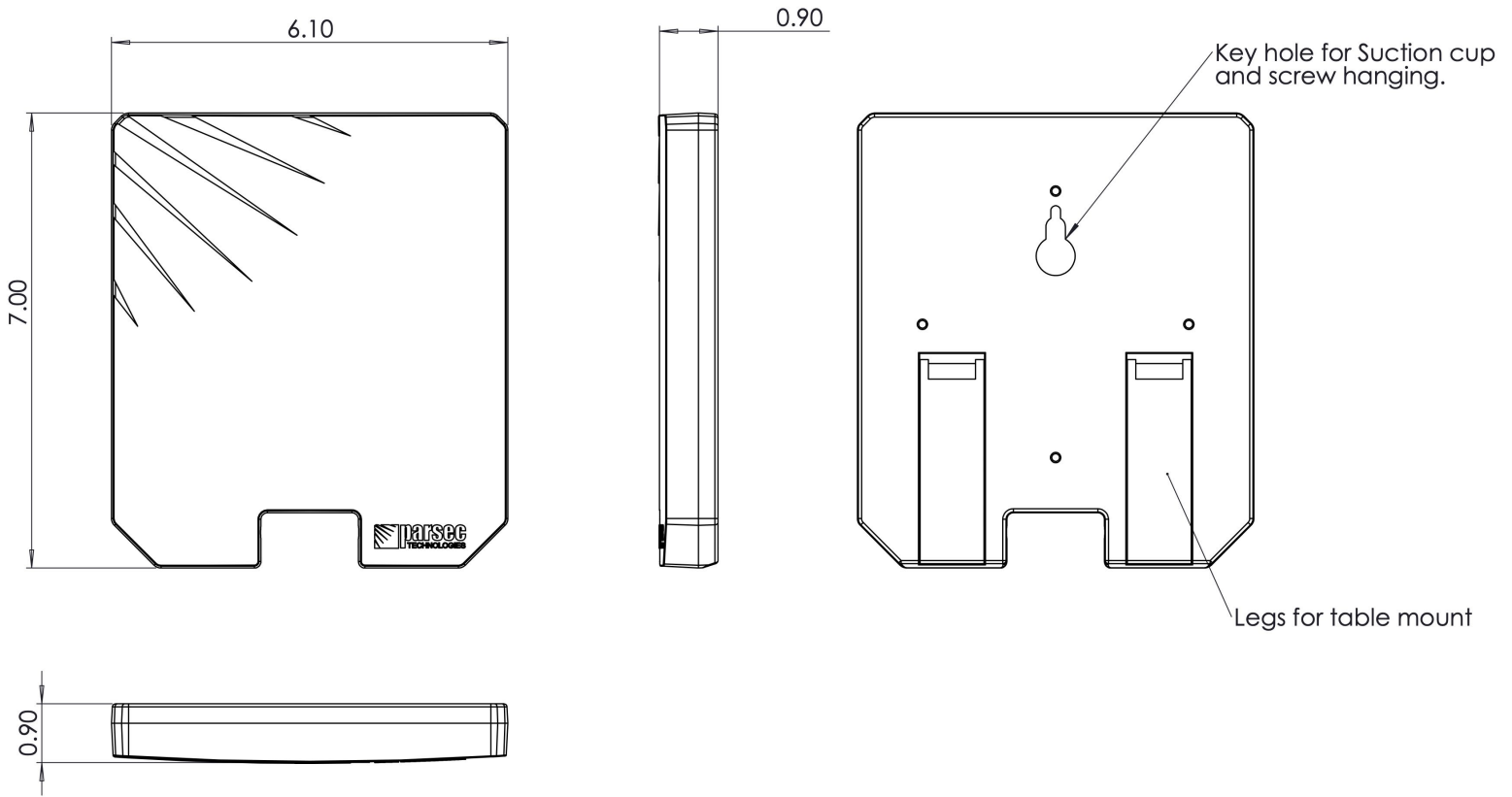


**Click for more info
on Nighthawk mobile
routers by NETGEAR**

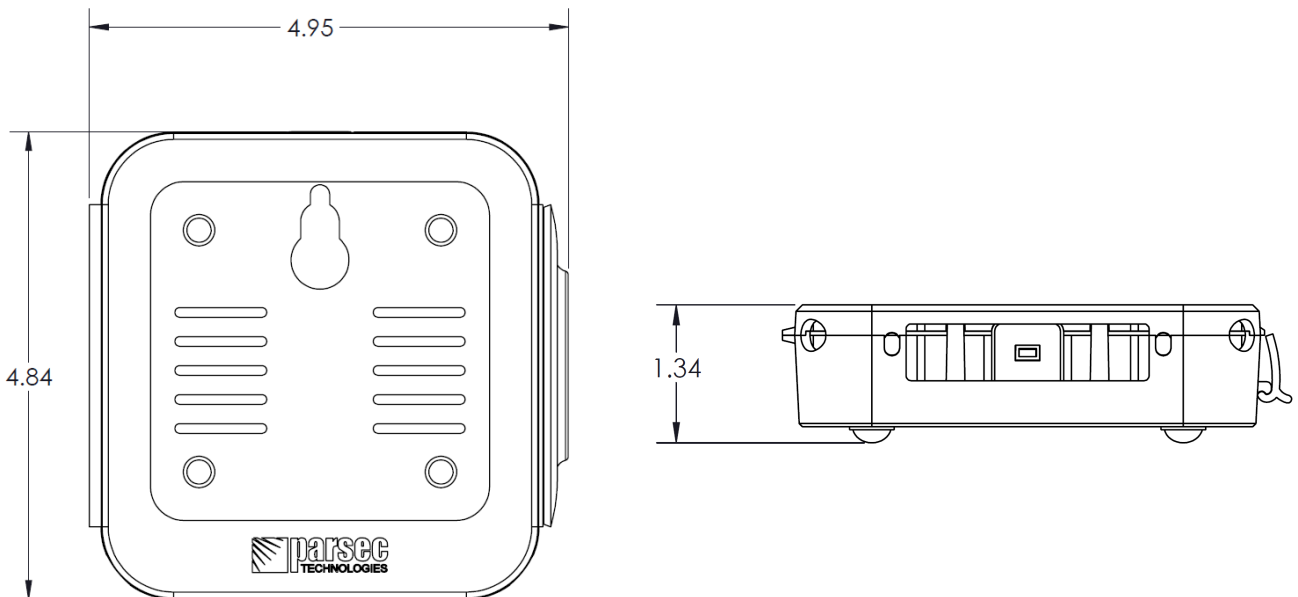


Product Dimensions

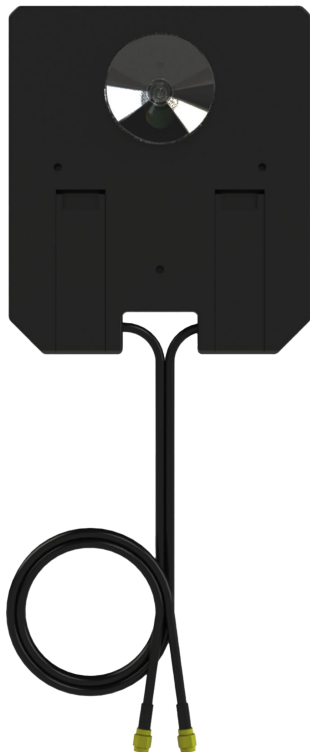
Falcon:



Router Case:



Product Images



Mountable case with Nighthawk® mobile router by NETGEAR® (router not included)

Electrical Specifications

ID	Port	Parameters	Units	Typ.
Radiated Efficiency	LTE -1,2	617 - 894 MHz	%	70
	LTE -1,2	1710 - 2700 MHz		60
	LTE -1,2	3400 - 4000 MHz		50
	LTE -1,2	5150 - 5925 MHz		50
Peak Gain	LTE -1,2	617 - 894 MHz	dBi	2.5
	LTE -1,2	1710 - 2700 MHz		2
	LTE -1,2	3400 - 4000 MHz		4
	LTE -1,2	5150 - 5925 MHz		4
Return Loss (50 Ω)	LTE -1,2	617 - 894 MHz	dB	6
	LTE -1,2	1710 - 2700 MHz		6
	LTE -1,2	3400 - 4000 MHz		5
	LTE -1,2	5150 - 5925 MHz		9
Isolation	LTE -1,2	617 - 894 MHz	dB	10
	LTE -1,2	1710 - 2700 MHz		10
	LTE -1,2	3400 - 4000 MHz		20
	LTE -1,2	5150 - 5925 MHz		20
Polarization	LTE			Linear
Max Input Power	LTE		Watts	5
RF Connector	LTE	6 ft. Cable		SMA (M)
RF Cable Type	LTE			ALSR200-UF

Ordering

Standard Antenna Part Numbers

Configurations	Part Number	Description
2:1	PTA2F2L06B-NG	2 LTE, 6ft Cable, Black



Parsec Technologies
 972-804-4600
support@parsec-t.com