



MobileMustHave
MOBILE LIFESTYLE SOLUTIONS

Ideal for

- FirstNet/First Responders
- Transportation/Fleet
- Remote Video Monitoring
- Mobile Broadband

Doberman PRO Series



- MIMO LTE
- MIMO WIFI
- GPS
- IP67 RATED

Features

- 5G
- WIFI 6
- 600 MHz - 6 GHz*
- HIGH EFFICIENCY
- HIGH PERFORMANCE

*See inside for details

Product Description

The Doberman antennas are high-performance, 5G, CAT18 (600MHz - 6GHz) antennas, available with MIMO LTE, up to 3 WIFI and GPS. The Doberman series antennas are perfect for mobile and fixed wireless applications.

The Doberman are rugged, high-performance, IP67 rated antennas.



Patent pending.

Frequency Ranges

LTE Frequency Range

617 - 894 MHz
1710 - 2700 MHz
3400 - 3800 MHz
5150 - 5925 MHz

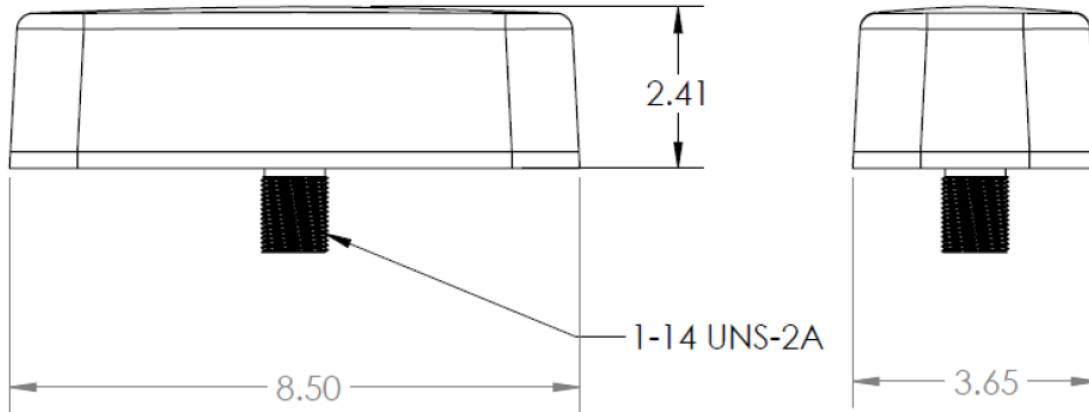
WiFi Frequency Range

2400 - 2483.5 MHz
4900 - 5900 MHz

LTE Bands (US Carriers)

AT&T	2, 4, 5, 14, 17, 29, 30, 46, 48, 66
Verizon	2, 4, 5, 13, 46, 48, 66
T-Mobile	2, 4, 12, 46, 48, 66, 71
Sprint	2, 25, 26, 41, 46, 48
Mechanical	
Dimensions	8.50 in. L x 3.65 in. W x 2.41 in. H
Mounting Hole	Single 1 inch
Environmental	
Operating Temperature	-40°C to 85°C
Ingress Protection	IP67 waterproof

Product Dimensions



Electrical Specifications

ID	Port	Parameters	Units	Typ.
Radiated Efficiency	LTE-1,2	617 – 894 MHz	%	85
	LTE-1,2	1710 – 2700 MHz		85
	LTE-1,2	3400 – 3800 MHz		70
	LTE-1,2	5150 – 5925 MHz		65
	GPS	1575.42 MHz		80
	WiFi-1,2,3	2400 – 2483.5 MHz		70
	WiFi-1,2,3	4900 – 5900 MHz		70
Peak Gain	LTE-1,2	617 – 894 MHz	dBi	5
	LTE-1,2	1710 – 2700 MHz		7
	LTE-1,2	3400 – 3800 MHz		7
	LTE-1,2	5150 – 5925 MHz		7
	GPS	1575.42 MHz		6
	WiFi-1,2,3	2400 – 2483.5 MHz		5
	WiFi-1,2,3	4900 – 5900 MHz		6
Return Loss (50 Ω)	LTE-1,2	617 – 894 MHz	dB	9.5
	LTE-1,2	1710 – 2700 MHz		12
	LTE-1,2	3400 – 3800 MHz		9
	LTE-1,2	5150 – 5925 MHz		8
	GPS	1575.42 MHz		12
	WiFi-1,2,3	2400 – 2483.5 MHz		11
	WiFi-1,2,3	4900 – 5900 MHz		9
Isolation	LTE	617 – 894 MHz	dB	9.5
	LTE	1710 – 2700 MHz		15
	LTE	3400 – 3800 MHz		20
	LTE	5150 – 5925 MHz		25
	WiFi	2400 – 2483.5 MHz		15
	WiFi	4900 – 5900 MHz		19

Electrical Specifications

(Continued)

Polarization	LTE, WiFi GPS		Linear RHCP
Max Input Power	LTE, WiFi	Watts	10
GNSS Preamp Gain	GPS	dB	28
GNSS Preamp Voltage	GPS	V	2.2 to 5.0
RF Connectors	LTE, GPS WiFi		SMA(M) RP-SMA
Cables	LTE, WiFi GPS		LSR200 LSR100
Notes:			
<ol style="list-style-type: none"> 1. Electrical specifications based on antenna with a 2 ft. x 2 ft. external ground plane. 2. Isolation and return loss does not include cable loss. 			

Ordering

Standard Antennas

Configurations	Part Number	Description
2:1	PRO2D2L01B	2 LTE, 1ft cable, Black
	PRO2D2L01BS	2 LTE, 1ft cable, Black, Short Bolt
	PRO2D2L15B	2 LTE, 15ft cable, Black
	PRO2D2L15BS	2 LTE, 15ft cable, Black, Short Bolt
3:1	PRO3D2LG15BS	2 LTE, 1 GPS, 15ft cable, Black, Short Bolt
5:1	PRO5D2L2WG15BS	2 LTE, 2 WiFi, 1 GPS, 15ft cable, Black, Short Bolt
	PRO5D2L2WG01B	2 LTE, 2 WiFi, 1 GPS, 1ft cable, Black
	PRO5D2L2WG15W-NF-MG	2 LTE, 2 WiFi, 1 GPS, 15ft cable, White, N type Female, Marine
	PRO5D2L2WG01W-NF-MG	2 LTE, 2 WiFi, 1 GPS, 1ft cable, White, N type Female, Marine
6:1	PRO6D2L3WG15B	2 LTE 3 WiFi, 1 GPS, 15ft cable, Black
	PRO6D2L3WG15BS	2 LTE 3 WiFi, 1 GPS, 15ft cable, Black, Short Bolt

Non-Standard Antennas

Configurations	Part Number	Description
2:1	PRO2D2L01B-NF	2 LTE, 1ft cable, Black, N type Female
	PRO2D2L01BS-NF	2 LTE, 1ft cable, Black, Short Bolt, N type Female
	PRO2D2L01B-NM	2 LTE, 1ft cable, Black, N type Male
	PRO2D2L01BS-NM	2 LTE, 1ft cable, Black, Short Bolt, N type Male
	PRO2D2L01W	2 LTE, 1ft cable, White
	PRO2D2L01WS	2 LTE, 1ft cable, White, Short Bolt
	PRO2D2L01W-NF	2 LTE, 1ft cable, White, N type Female
	PRO2D2L01WS-NF	2 LTE, 1ft cable, White, Short Bolt, N type Female
	PRO2D2L01W-NM	2 LTE, 1ft cable, White, N type Male
	PRO2D2L01WS-NM	2 LTE, 1ft cable, White, Short Bolt, N type Male
	PRO2D2L15W	2 LTE, 15ft cable, White
	PRO2D2L15WS	2 LTE, 15ft cable, White, Short Bolt
3:1	PRO3D2LG01B	2 LTE, 1 GPS, 1ft cable, Black
	PRO3D2LG01BS	2 LTE, 1 GPS, 1ft cable, Black, Short Bolt
	PRO3D2LG01B-NF	2 LTE, 1 GPS, 1ft cable, Black, N type Female
	PRO3D2LG01BS-NF	2 LTE, 1 GPS, 1ft cable, Black, Short Bolt, N type Female
	PRO3D2LG01B-NM	2 LTE, 1 GPS, 1ft cable, Black, N type Male
	PRO3D2LG01BS-NM	2 LTE, 1 GPS, 1ft cable, Black, Short Bolt, N type Male
	PRO3D2LG01W	2 LTE, 1 GPS, 1ft cable, White

Non-Standard Antennas (continued)

Configurations	Part Number	Description
3:1	PRO3D2LG01WS	2 LTE, 1 GPS, 1ft cable, White, Short Bolt
	PRO3D2LG01W-NF	2 LTE, 1 GPS, 1ft cable, White, N type Female
	PRO3D2LG01WS-NF	2 LTE, 1 GPS, 1ft cable, White, Short Bolt, N type Female
	PRO3D2LG01W-NM	2 LTE, 1 GPS, 1ft cable, White, N type Male
	PRO3D2LG01WS-NM	2 LTE, 1 GPS, 1ft cable, White, Short Bolt, N type Male
	PRO3D2LG15B	2 LTE, 1 GPS, 15ft cable, Black
	PRO3D2LG15W	2 LTE, 1 GPS, 15ft cable, White
	PRO3D2LG15WS	2 LTE, 1 GPS, 15ft cable, White, Short Bolt
4:1	PRO4D2L2W01B	2 LTE, 2 WiFi, 1ft cable, Black
	PRO4D2L2W01BS	2 LTE, 2 WiFi, 1ft cable, Black, Short Bolt
	PRO4D2L2U01B	2 LTE, 2 Universal, 1ft cable, Black
	PRO4D2L2U01BS	2 LTE, 2 Universal, 1ft cable, Black, Short Bolt
	PRO4D2L2W01B-NF	2 LTE, 2 WiFi, 1ft cable, Black, N type Female
	PRO4D2L2W01BS-NF	2 LTE, 2 WiFi, 1ft cable, Black, Short Bolt, N type Female
	PRO4D2L2W01B-NM	2 LTE, 2 WiFi, 1ft cable, Black, N type Male
	PRO4D2L2W01BS-NM	2 LTE, 2 WiFi, 1ft cable, Black, Short Bolt, N type Male
	PRO4D2L2W01W	2 LTE, 2 WiFi, 1ft cable, White
	PRO4D2L2W01WS	2 LTE, 2 WiFi, 1ft cable, White, Short Bolt
	PRO4D2L2W01W-NF	2 LTE, 2 WiFi, 1ft cable, White, N type Female
	PRO4D2L2W01WS-NF	1 LTE, 2 WiFi, 1ft cable, White, Short Bolt, N type Female
	PRO4D2L2W01W-NM	2 LTE, 2 WiFi, 1ft cable, White, N type Male
	PRO4D2L2W01WS-NM	2 LTE, 2 WiFi, 1ft cable, White, Short Bolt, N type Male
	PRO4D2L2W15B	2 LTE, 2 WiFi, 15ft cable, Black
	PRO4D2L2W15BS	2 LTE, 2 WiFi, 15ft cable, Black, Short Bot
	PRO4D2L2U15B	2 LTE, 2 Universal, 15ft cable, Black
	PRO4D2L2U15BS	2 LTE, 2 Universal, 15ft cable, Black, Short Bolt
	PRO4D2L2W15W	2 LTE, 2 WiFi, 15ft cable, White
	PRO4D2L2W15WS	2 LTE, 2 WiFi, 15ft cable, White, Short Bolt
5:1	PRO5D2L2WG01BS	2 LTE, 2 WiFi, 1 GPS, 1ft cable, Black, Short Bolt
	PRO5D2L2WG01B-NF	2 LTE, 2 WiFi, 1 GPS, 1ft cable, Black, N type Female
	PRO5D2L2WG01BS-NF	2 LTE, 2 WiFi, 1 GPS, 1ft cable, Black, Short Bolt, N type Female
	PRO5D2L2WG01B-NM	2 LTE, 2 WiFi, 1 GPS, 1ft cable, Black, N type Male
	PRO5D2L2WG01BS-NM	2 LTE, 2 WiFi, 1 GPS, 1ft cable, Black, Short Bolt, N type Male
	PRO5D2L2WG01W	2 LTE, 2 WiFi, 1 GPS, 1ft cable, White
	PRO5D2L2WG01WS	2 LTE, 2 WiFi, 1 GPS, 1ft cable, White, Short Bolt
	PRO5D2L2WG01W-NF	2 LTE, 2 WiFi, 1 GPS, 1ft cable, White, N type Female
	PRO5D2L2WG01WS-NF	2 LTE, 2 WiFi, 1 GPS, 1ft cable, White, Short Bolt, N type Female
	PRO5D2L2WG01W-NM	2 LTE, 2 WiFi, 1 GPS, 1ft cable, White, N type Male
	PRO5D2L2WG01WS-NM	2 LTE, 2 WiFi, 1 GPS, 1ft cable, White, Short Bolt, N type Male

Non-Standard Antennas

(continued)

Configurations	Part Number	Description
5:1	PRO5D2L2WG15B	2 LTE 2 WiFi, 1 GPS, 15ft cable, Black
	PRO5D2L2WG15W	2 LTE 2 WiFi, 1 GPS, 15ft cable, White
	PRO5D2L2WG15WS	2 LTE 2 WiFi, 1 GPS, 15ft cable, White, Short Bolt
	PRO5D2LBWG01BDS	2 LTE, BT WiFi, 1 GPS, 1ft cable, Black, Dell, Short Bolt
	PRO5D2LBWG12BD	2 LTE, BT WiFi, 1 GPS, 12ft cable, Black, Dell
	PRO5D2LBWG12BDR	2 LTE, BT WiFi, 1 GPS, 12ft cable, Black, Dell, Right Angle
	PRO5D2LBWG12BDS	2 LTE, BT WiFi, 1 GPS, 12ft cable, Black, Dell, Short Bolt
	PRO5D2LBWG15BD	2 LTE, BT WiFi, 1 GPS, 15ft cable, Black, Dell
	PRO5D2LBWG15BDS	2 LTE, BT WiFi, 1 GPS, 15ft cable, Black, Dell, Short Bolt
	PRO5D2LBWG01WD	2 LTE, BT WiFi, 1 GPS, 1ft cable, White, Dell
	PRO5D2LBWG01WDS	2 LTE, BT WiFi, 1 GPS, 1ft cable, White, Dell, Short Bolt
	PRO5D2LBWG12WD	2 LTE, BT WiFi, 1 GPS, 12ft cable, White, Dell
	PRO5D2LBWG12WDS	2 LTE, BT WiFi, 1 GPS, 12ft cable, White, Dell, Short Bolt
	PRO5D2LBWG15WD	2 LTE, BT WiFi, 1 GPS, 15ft cable, White, Dell
	PRO5D2LBWG15WDS	2 LTE, BT WiFi, 1 GPS, 15ft cable, White, Dell, Short Bolt
6:1	PRO6D2L3WG01B	2 LTE, 3 WiFi, 1 GPS, 1ft cable, Black
	PRO6D2L3WG01BS	2 LTE, 3 WiFi, 1 GPS, 1ft cable, Black, Short Bolt
	PRO6D2L3WG01B-NF	2 LTE, 3 WiFi, 1 GPS, 1ft cable, Black, N type Female
	PRO6D2L3WG01BS-NF	2 LTE, 3 WiFi, 1 GPS, 1ft cable, Black, Short Bolt, N type Female
	PRO6D2L3WG01B-NM	2 LTE, 3 WiFi, 1 GPS, 1ft cable, Black, N type Male
	PRO6D2L3WG01BS-NM	2 LTE, 3 WiFi, 1 GPS, 1ft cable, Black, Short Bolt, N type Male
	PRO6D2L3WG01W	2 LTE, 3 WiFi, 1 GPS, 1ft cable, White
	PRO6D2L3WG01WS	2 LTE, 3 WiFi, 1 GPS, 1ft cable, White, Short Bolt
	PRO6D2L3WG01W-NF	2 LTE, 3 WiFi, 1 GPS, 1ft cable, White, N type Female
	PRO6D2L3WG01WS-NF	2 LTE, 3 WiFi, 1 GPS, 1ft cable, White, Short Bolt, N type Female
	PRO6D2L3WG01W-NM	2 LTE, 3 WiFi, 1 GPS, 1ft cable, White, N type Male
	PRO6D2L3WG01WS-NM	2 LTE, 3 WiFi, 1 GPS, 1ft cable, White, Short Bolt, N type Male
	PRO6D2L3WG15W	2 LTE 3 WiFi, 1 GPS, 15ft cable, White
	PRO6D2L3WG15WS	2 LTE 3 WiFi, 1 GPS, 15ft cable, White, Short Bolt

Hardware Accessories

Accessory	Part Number
Pole-mount bracket (makes antenna a fixed application)	PTA0149
Magnetic boot mount - black	PTA0330

Notes:

N type connector is recommended for outdoor usage due to it being waterproof. N type is also best used for cable runs longer than 25ft due to it being a stronger connection.

SMA connectors have a max torque of 3-5 inch lbs.

Part Number Key

Part number example for a 5:1 Doberman antenna, black:
PRO5D2L2WG15B

Description	Abbreviation	Part Number
All PRO Series	PRO	PRO
Number of antennas in housing/configuration	5:1	PRO5
Antenna abbreviation for Doberman	D	PRO5D
Number of LTE Elements	# L	PRO5D2L
If Bluetooth, add B, if not leave blank	Blank or B	PRO5D2L
Number of WiFi Elements	# W	PRO5D2L2W
Number of GPS Elements (usually only 1 GPS per antenna, therefore we simply add G and no number)	G	PRO5D2L2WG
Cable length measured in feet: 01 = 1', 15 = 15'	01, 15, etc,	PRO5D2L2WG15
Radome Color - B for Black, W for White	B or W	PRO5D2L2WG15B
If Dell, add D, if not leave blank	D	PRO5D2L2WG15B
Bolt length standard is 1.25 inches leave blank for standard S = short bolt of 0.6 inches	Blank or S	PRO5D2L2WG15B
If SMA connector, simply leave blank		PRO5D2L2WG15B
N type female connector	NF	PRO5D2L2WG15B- NF
N type male connector	NM	PRO5D2L2WG15B- NM

Custom connectors are available. Please contact us for more information.

