

POLE MOUNT

Installation Instructions



Pole mounting is one of the best methods for mounting your new Parsec antenna. Mounting on a pole can provide great isolation that is necessary for uninterrupted service.

REQUIRED TOOLS

Hammer / Rubber Mallet

Phillips Screwdriver

SMA Wrench


CHOOSING THE BEST LOCATION FOR INSTALLATION


To get the best signal, your antenna must be mounted in an isolated area. It is important to stay away from any interference including existing antennas, cluttered areas, or other situations that might interrupt network.


CAUTION:


Make sure the antenna is at least 2 feet away from other antennas. Other Antennas typically need to be 5 feet away. **Antennas MUST be away from Outlets, AC or Heating units, or anything with an electrical motor.** All of these items can cause radio interference and reduce antenna performance.

Notices:

	CAUTION To comply with FCC RF Exposure requirements in section 1.1310 of the FCC Rules, antennas used with this device must be installed to provide a separation distance of at least 20 cm from all persons to satisfy RF exposure compliance.
---	---

	DO NOT <ul style="list-style-type: none">• Operate the transmitter when someone is within 20 cm of the antenna.• Install antenna or mast assembly on a windy day
---	--

	WARNING Watch out for overhead power lines. Check the distance to the power lines before starting installation.
---	---

	WARNING This document gives the detailed instructions to install an antenna to the best of our knowledge. This document is for general information only. It cannot be used as a warranty. Parsec Technologies, Inc. will not accept any liability for any damage caused by an antenna due to unknown variables.
---	---

Pole Mount Instructions

Mounting the Pole Mount Bracket on the Pole

Step 1.

Choose a pole with a diameter between 1 - 2.24 inches and cut it to the required length. Mount the pole vertically and confirm it with a level. Make sure the pole is firm before mounting the antenna. (Figure 5)

Step 2.

Mount the pole mount bracket on the mast and position the bracket so at least 1 inch of the mast extends above the top saddle clamp. (Figure 6)

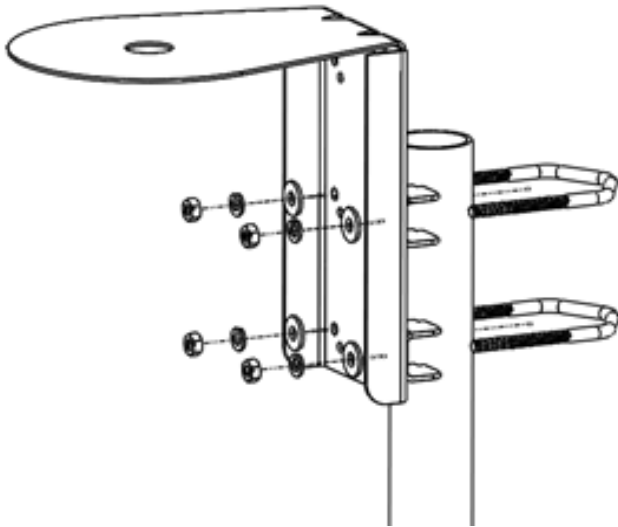


FIGURE 5

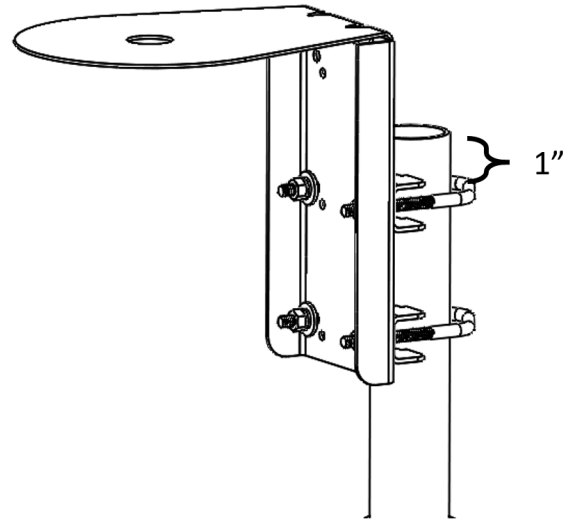


FIGURE 6

Step 3.

Tighten the 4 nuts with your fingers, making sure equal lengths of thread extend past the nuts.

Mounting the Antenna on the Pole Mount Bracket

Step 1.

Feed the coaxial cables from the antenna through the antenna mounting hole on the bracket. Thread the entire length of cable through the hole.

Step 2.

Remove the protective backing from the underside of the antenna and place the antenna on the bracket. Apply downward pressure on the antenna to stick it to the bracket.

Step 3.

Fasten the antenna on to the bracket by threading the washers and nut through the cable. Fasten the hex nut such that the lock washer compresses flat with the washer surface. (Figure 7)

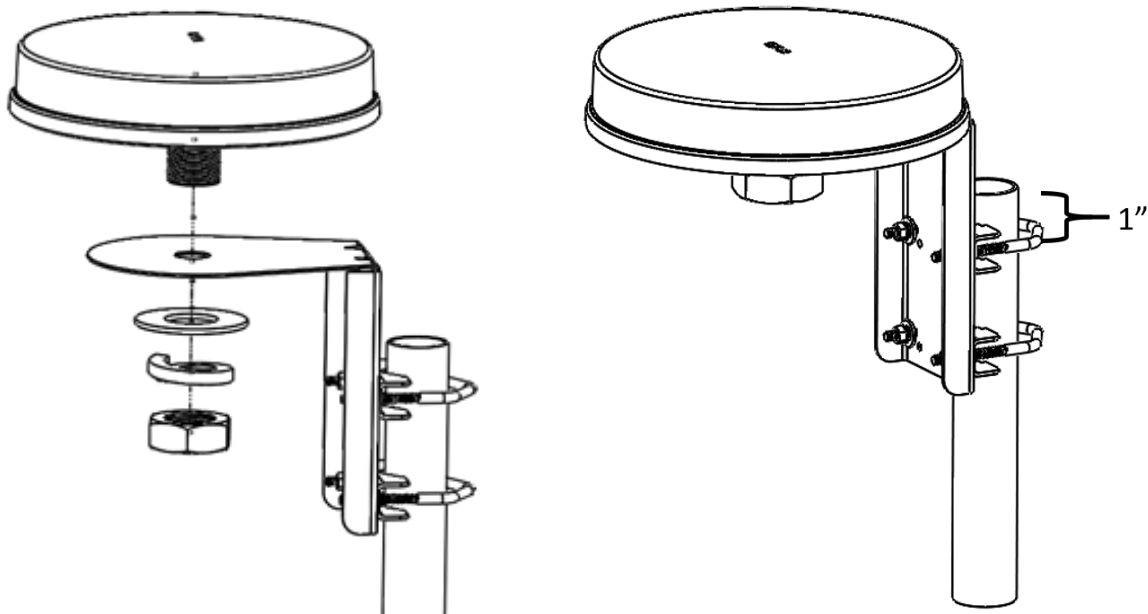


FIGURE 7

Routing the Cables

Step 1.

Properly route the cables making sure there is no sharp bends.

Step 2.

Clamp the cables to the mast at about 3 inches away from the bracket. If long cables are used, secure the cable to the mast using zip ties, velcro, or tape. (Figure 8)

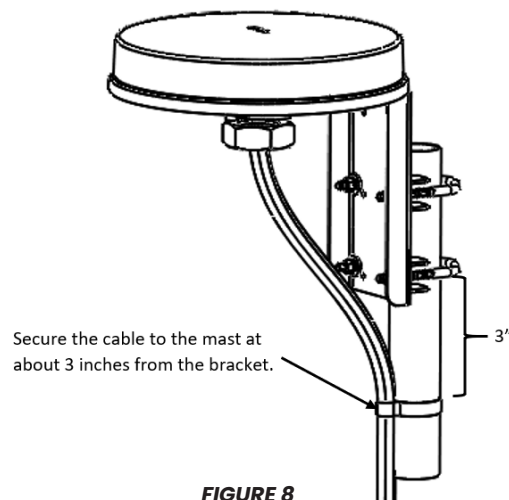


FIGURE 8

Step 3.

Tighten the mounting hardware and waterproof the RF connectors using electrical tape or a heat shrink tube.