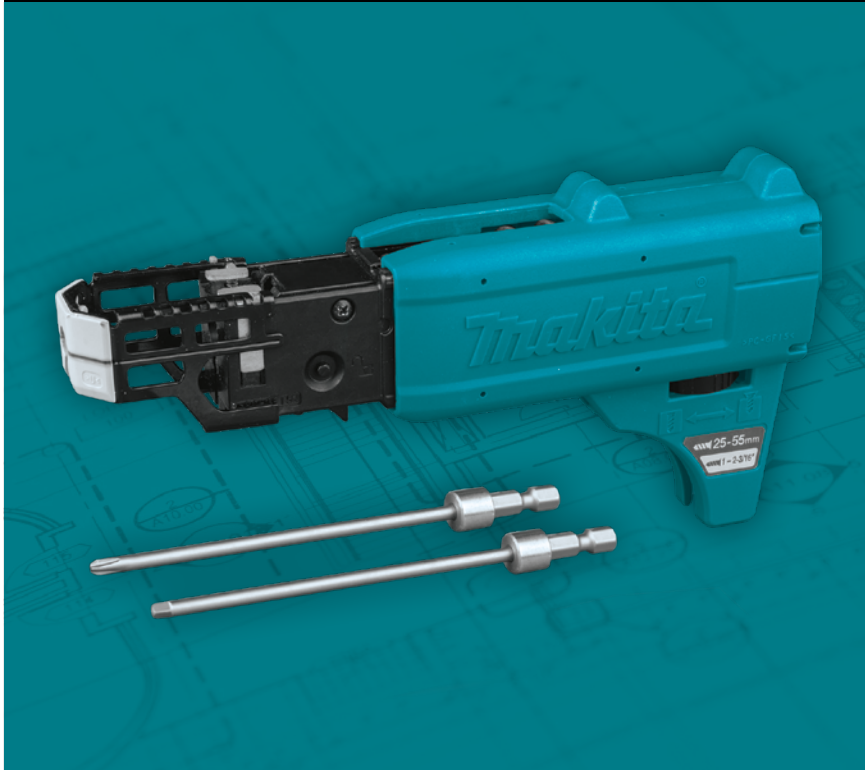


# COLLATED AUTOFEED SCREWDRIVER MAGAZINE



## PRODUCT HIGHLIGHTS



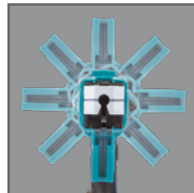
**CAPACITY**  
Collated screw length capacity range from 1" to 2-3/16" for increased versatility



**DESIGN**  
Optimized contact point for easy access to close-to-corner screw positions



**COMPACT**  
Compact and ergonomic design at only 8-7/8" long



**CONVENIENCE**  
Collated magazine can be rotated 360° for easier access in tight corners

## RELATED PRODUCTS

- #2 Phillips Power Bit, 5-1/8", 5/pk (199409-2)
- #2 Square Power Bit, 5-1/8", 5/pk (199410-7)
- 18V LXT® Compact Brushless 4,000 RPM Drywall Screwdriver Kit with Autofeed Magazine (XSF03RX2)
- 18V LXT® Brushless 4,000 RPM Drywall Screwdriver Kit, with Autofeed Magazine (XSF03TX2)
- 18V LXT® 2-Pc. Combo Kit with Collated Autofeed Screwdriver Magazine (XT255TX2)



All specifications subject to change without prior notice. All models and accessories subject to stock on hand. The Makita Teal Color is the trade dress of Makita Corporation and is protected under common law and registered with the U.S. Patent and Trademark Office. NTF-0419 MA-6342-19



# NEW TOOL OVERVIEW 199145-0

## FEATURES

- Screw Autofeed Capability is Ideal for Production Board Attachment to Metal or Wood
- Collated screw length capacity range from 1" to 2-3/16" for increased versatility
- Easy removal and attachment of collated magazine for quick screw adjustments
- Screw strip can be released in reverse direction for easy screw clearance
- Screw depth dial allows for perfect depth adjustment of screw head to surface
- Rubberized no-mar base cover provides additional protection to surface
- Designed for standard 50 screw flat strips
- Designed for Makita cordless screwdriver models XSF03, XSF04 and corded screwdriver models FS2200, FS4200, FS6200

## SPECIFICATIONS

<b>Bit Type</b> .....	1/4" Hex
<b>Collated Screw Capacity</b> .....	1" - 2-3/16"
<b>Net Weight</b> .....	.88 lbs.
<b>Overall Length</b> .....	8-7/8"
<b>Auto-feed</b> .....	Yes
<b>UPC Code</b> .....	088381-525800
<b>Shipping Weight</b> .....	1.23 lbs.
<b>Power Type</b> .....	Cordless

## STANDARD EQUIPMENT

- #2 Phillips Power Bit, 5-1/8"
- #2 Square Power Bit, 5-1/8"