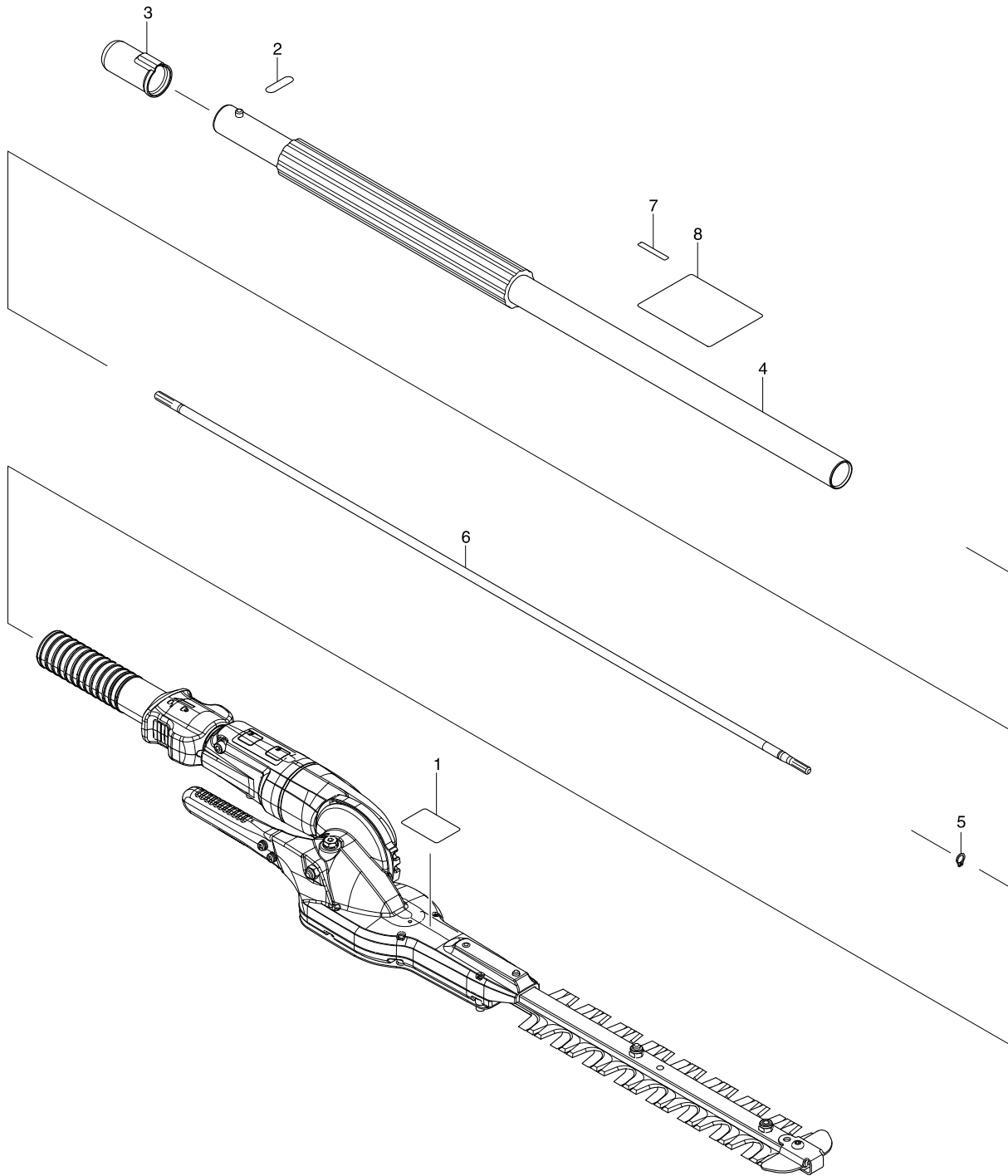


The Makita logo is displayed in a stylized, italicized white font on a red background. A registered trademark symbol (®) is located at the top right of the logo.

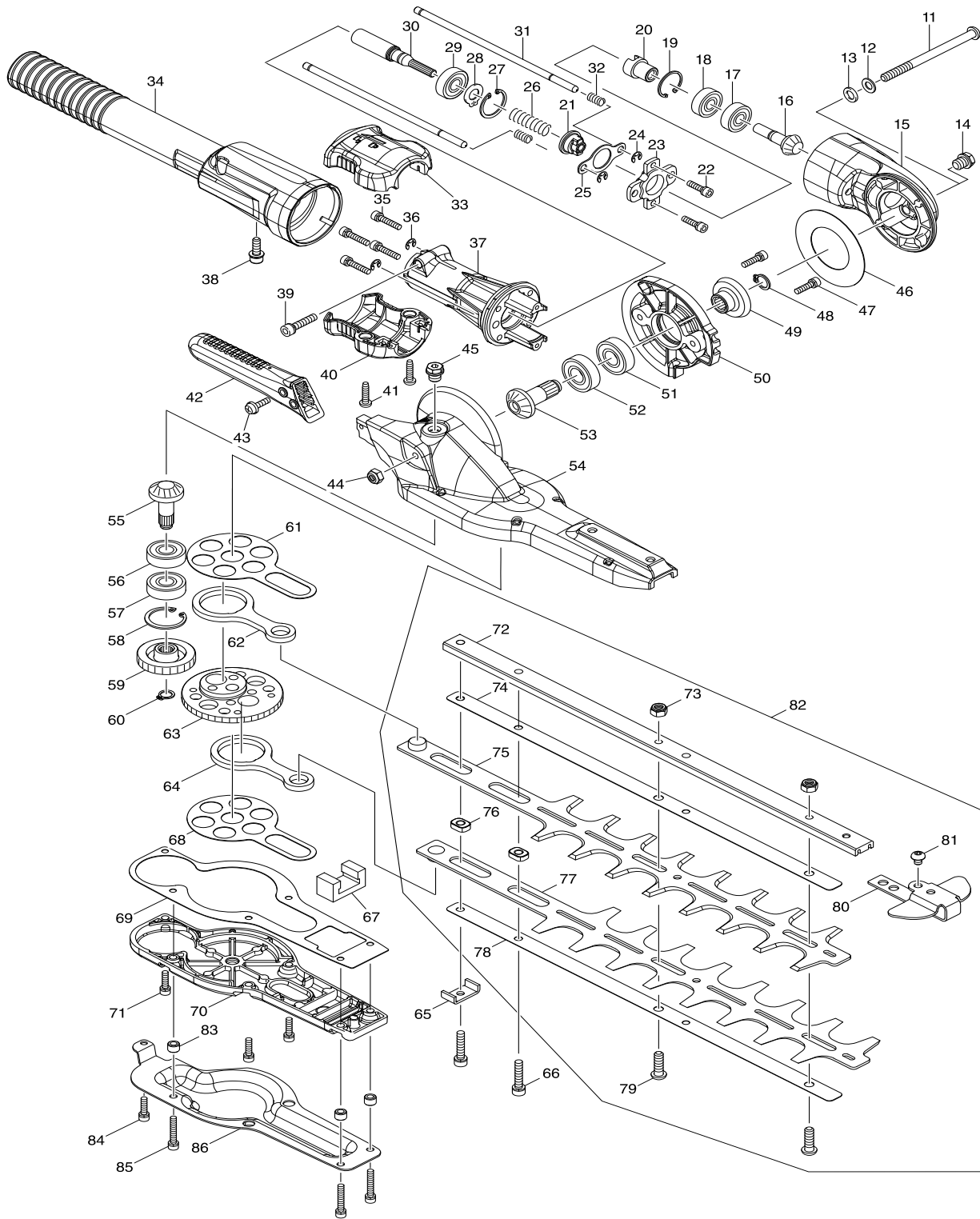
PARTS BREAKDOWN

EN420MP



Products with multiple versions are listed in subsiding order with the newest version on top not indented.

Section	Fig. No.	Part No.	Description	EN420MP	Tech Bulletin	Notes
1	3	424434-7	CAP 24	1		
1	4	144105-7	GRIP PIPE B COMPLETE	1		INC 8
1	5	961003-8	RETAINING RING S-7	1		
1	6	326798-4	SHAFT A	1		



Products with multiple versions are listed in subsiding order with the newest version on top not indented.

Section	Fig. No.	Part No.	Description	EN420MP	Tech Bulletin	Notes
2	11	266817-3	H.S. BUTTON HEAD BOLT M6X85	1		
2	12	232279-7	CONED DISC SPRING 6	1		
2	13	941151-9	FLAT WASHER 6	1		
2	14	266818-1	HEX. SOCKET HEX. BOLT M8X8	1		
2	15	318969-7	JOINT	1		
2	16	227604-5	SPIRAL BEVEL GEAR 9	1		
2	17	211031-6	BALL BEARING 608ZZ	1		
2	17	211032-4	BALL BEARING 608ZZ	1		
2	18	211031-6	BALL BEARING 608ZZ	1		
2	18	211032-4	BALL BEARING 608ZZ	1		
2	19	962102-9	RETAINING RING R-22	1		
2	20	310534-8	CAM A	1		
2	21	310535-6	CAM B	1		
2	22	922126-7	HEX. SOCKET HEAD BOLT M4X16	2		
2	23	313254-3	HOLDER PLATE	1		
2	24	961011-9	STOP RING E-4	2		
2	25	346657-6	SLIDE PLATE	1		
2	26	231297-2	COMPRESSION SPRING 9	1		
2	27	962103-7	RETAINING RING R-24	1		
2	28	961005-4	RETAINING RING S-9	1		
2	29	210049-4	BALL BEARING 609ZZ	1		
2	30	142000-5	SPINDLE COMPLETE	1		
2	31	326812-6	ROD 5	2		
2	32	233117-6	COMPRESSION SPRING 6	2		
2	33	187575-7	SLIDE LEVER SET	1		INC 40
2	34	143232-7	COVER COMPLETE	1		
2	35	265493-0	HEX. SOCKET HEAD BOLT M4X20	4		
2	36	961011-9	STOP RING E-4	2		
2	37	318970-2	PIPE HOLDER	1		
2	38	922223-9	H.S.H.BOLT M5X16 WITH WR	1		
2	39	922241-7	HEX. SOCKET HEAD BOLT M5X25	1		
2	40	187575-7	SLIDE LEVER SET	1		
2	41	265995-6	TAPPING SCREW 4X18	2		
2	42	456369-4	GRIP	1		

Products with multiple versions are listed in subsiding order with the newest version on top not indented.

Section	Fig. No.	Part No.	Description	EN420MP	Tech Bulletin	Notes
2	43	911516-9	PAN HEAD SCREW M4X12	2		
2	44	252190-7	HEX.LOCK NUT M6-10	1		
2	45	266818-1	HEX. SOCKET HEX. BOLT M8X8	1		
2	46	267467-7	FLAT WASHER 36	1		
2	47	922126-7	HEX. SOCKET HEAD BOLT M4X16	2		
2	48	961006-2	RETAINING RING S-10	1		
2	49	227605-3	SPIRAL BEVEL GEAR 22	1		
2	50	310533-0	ANGULAR PLATE	1		
2	51	211101-1	BALL BEARING 6001ZZ	1		
2	51	211148-5	BALL BEARING 6001ZZ	1		
2	52	211101-1	BALL BEARING 6001ZZ	1		
2	52	211148-5	BALL BEARING 6001ZZ	1		
2	53	227606-1	SPIRAL BEVEL GEAR 11	1		
2	54	143500-8	GEAR HOUSING COMPLETE	1		
2	55	227607-9	SPIRAL BEVEL GEAR 12	1		
2	56	211097-6	BALL BEARING 6000ZZ	1		
2	56	211062-5	BALL BEARING 6000ZZ	1		
2	57	211097-6	BALL BEARING 6000ZZ	1		
2	57	211062-5	BALL BEARING 6000ZZ	1		
2	58	962105-3	RETAINING RING R-26	1		
2	59	227317-8	SPUR GEAR 24	1		
2	60	961004-6	RETAINING RING S-8	1		
2	61	346658-4	PLATE	1		
2	62	346251-4	CONNECTING ROD	1		
2	63	227248-1	SPUR GEAR 43	1		
2	64	346251-4	CONNECTING ROD	1		
2	65	346256-4	HOLDER	1		
2	66	922241-7	HEX. SOCKET HEAD BOLT M5X25	2		
2	67	443159-4	SEAL	1		
2	68	346658-4	PLATE	1		
2	69	423458-0	GASKET	1		
2	70	318968-9	UNDER COVER	1		
2	71	922126-7	HEX. SOCKET HEAD BOLT M4X16	3		
2	72	319472-1	GUIDE BAR	1		

Products with multiple versions are listed in subsiding order with the newest version on top not indented.

Section	Fig. No.	Part No.	Description	EN420MP	Tech Bulletin	Notes
2	73	264089-4	HEX. LOCK NUT M6-10	2		
2	74	347082-4	PLATE	1		
2	75	725197-1	SHEAR BLADE	1		
2	76	313211-1	SLEEVE 5	2		
2	77	725197-1	SHEAR BLADE	1		
2	78	347082-4	PLATE	1		
2	79	266824-6	H.S. BUTTON HEAD BOLT M6X20	2		
2	80	346629-1	END COVER	1		
2	81	266075-1	HEX. SOCKET HEAD BOLT M5X6	1		
2	82	198195-2	SHEAR BLADE ASSEMBLY SET MG	1		INC 72-81
2	83	262573-3	SLEEVE 5	3		
2	84	922126-7	HEX. SOCKET HEAD BOLT M4X16	1		
2	85	922146-1	HEX. SOCKET HEAD BOLT M4X25	3		
2	86	346884-5	GUARD	1		
2	A01	457036-4	BLADE COVER	1		
2	A02	782223-9	SOCKET WRENCH	1		