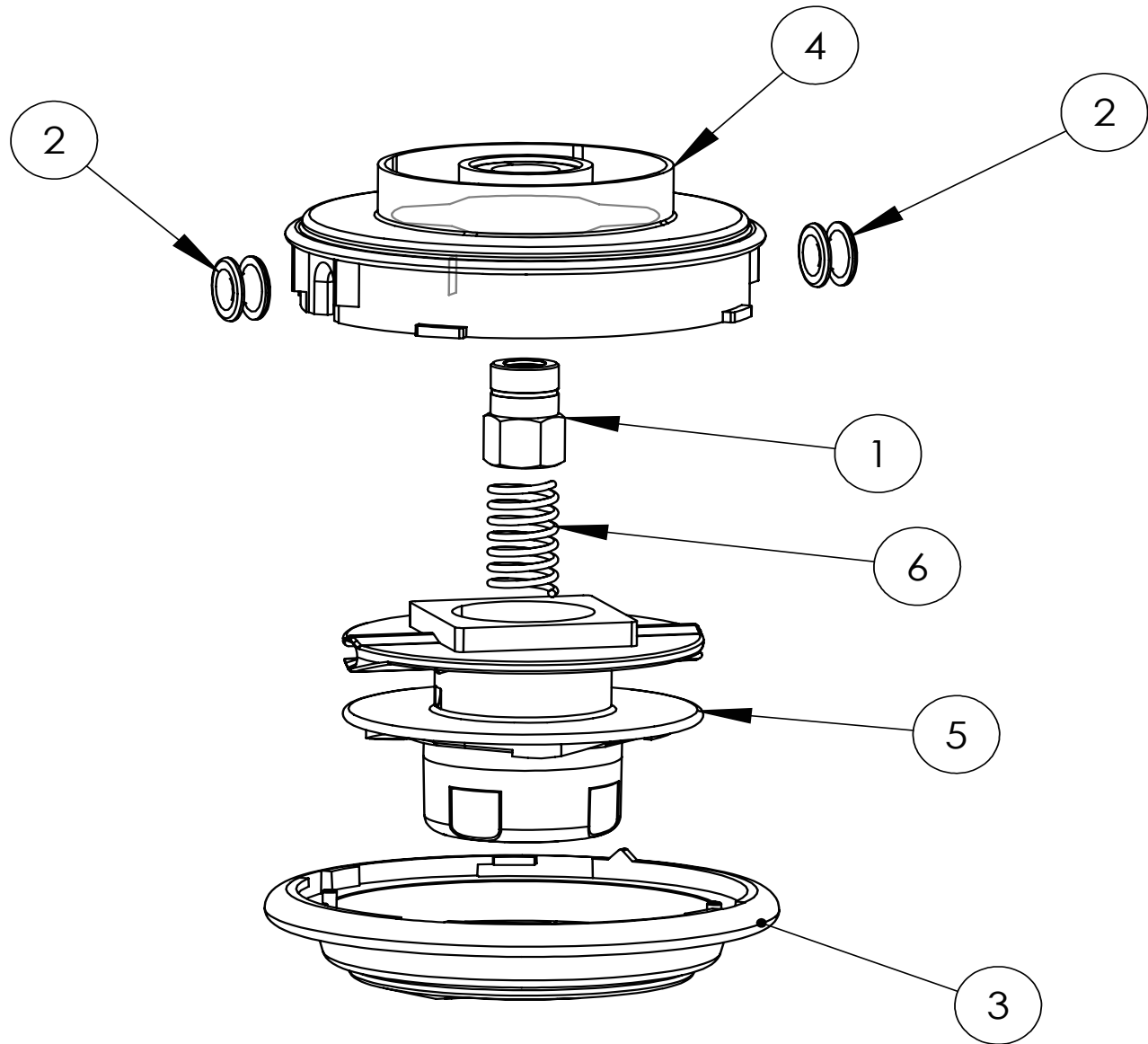


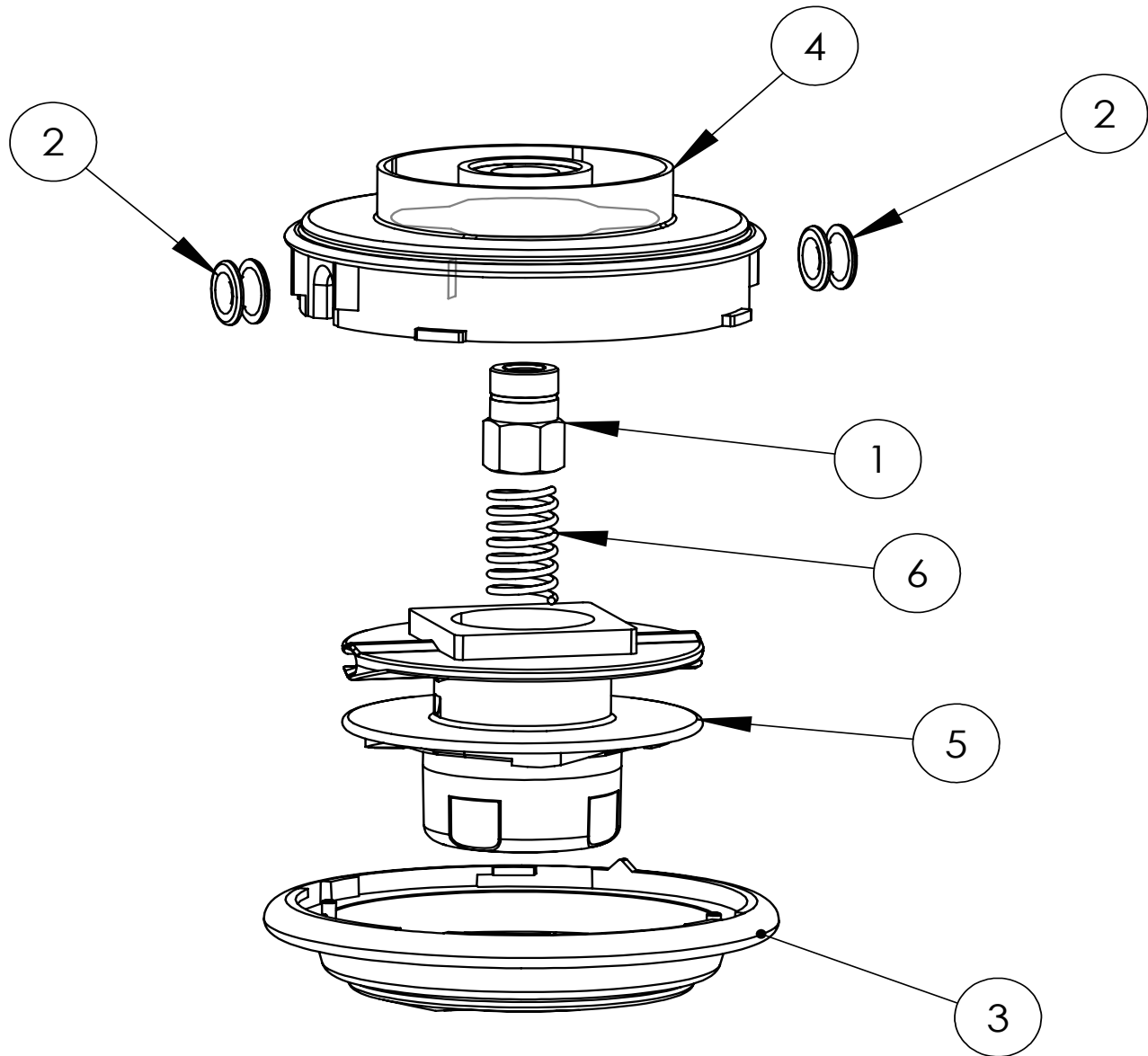


PARTS BREAKDOWN
COMFORT TRIM HEADS
BUMP FEED HEADS
BUMP AND AUTO FEED HEADS
MANUAL FEED HEADS



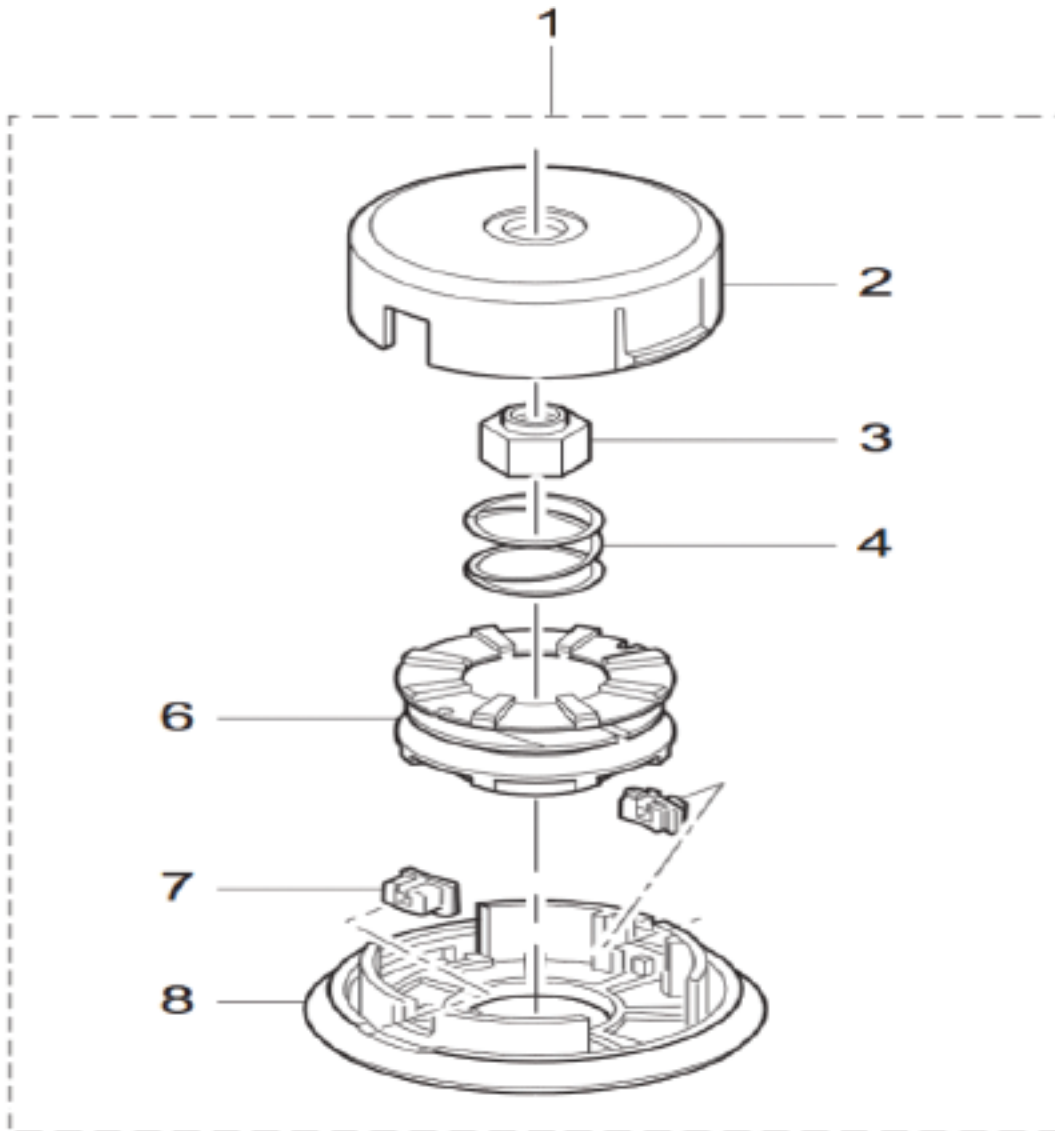
Products with multiple versions are listed in subsiding order with the newest version on top not indented.

Fig. No.	Part No.	Description	QTY	Notes
1	1UA1049A	BOLT M8 1.25LH, T-02917, XRU04	1	
2	1SE103A	EYELET, T-01753, EM2650LH	2	
3	1SN748MDA	COVER LH, T-01753, EM2650LH	1	
4	1SN742MDA	HOUSING W/MAKITA LOGO, T-01753, EM2650LH	1	
5	1SN745A	SPOOL LH, T-01753, EM2650LH	1	
6	1SS743A	SPRING 5/8 X 1-1/4, T-01753, EM2650LH	1	



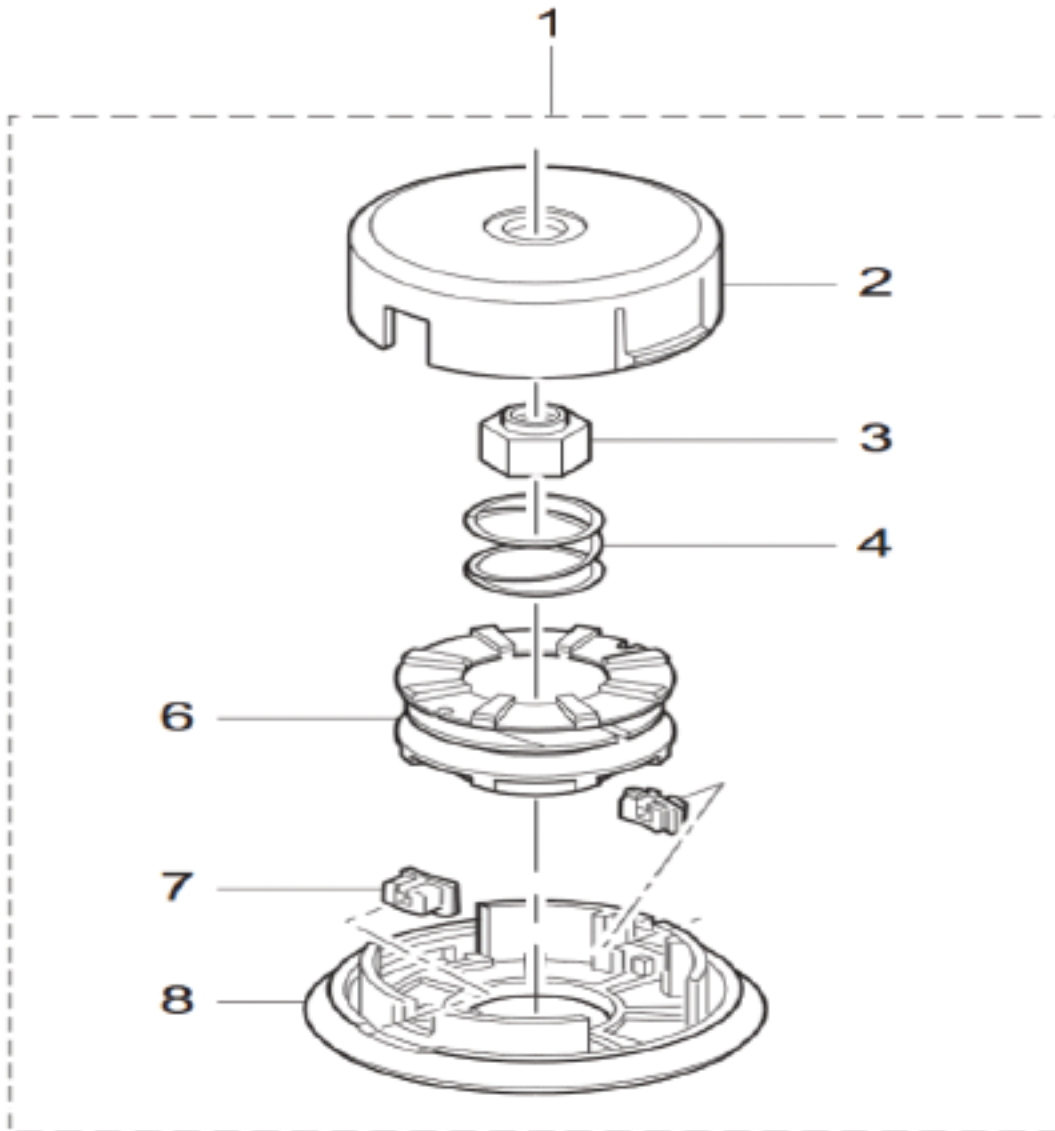
Products with multiple versions are listed in subsiding order with the newest version on top not indented.

Fig. No.	Part No.	Description	QTY	Notes
1	1UA1048A	BOLT M10X1.25LH, T-01753, EM2650LH	1	
2	1SE103A	EYELET, T-01753, EM2650LH	2	
3	1SN748MDA	COVER LH, T-01753, EM2650LH	1	
4	1SN742MDA	HOUSING W/MAKITA LOGO, T-01753, EM2650LH	1	
5	1SN745A	SPOOL LH, T-01753, EM2650LH	1	
6	1SS743A	SPRING 5/8 X 1-1/4, T-01753, EM2650LH	1	



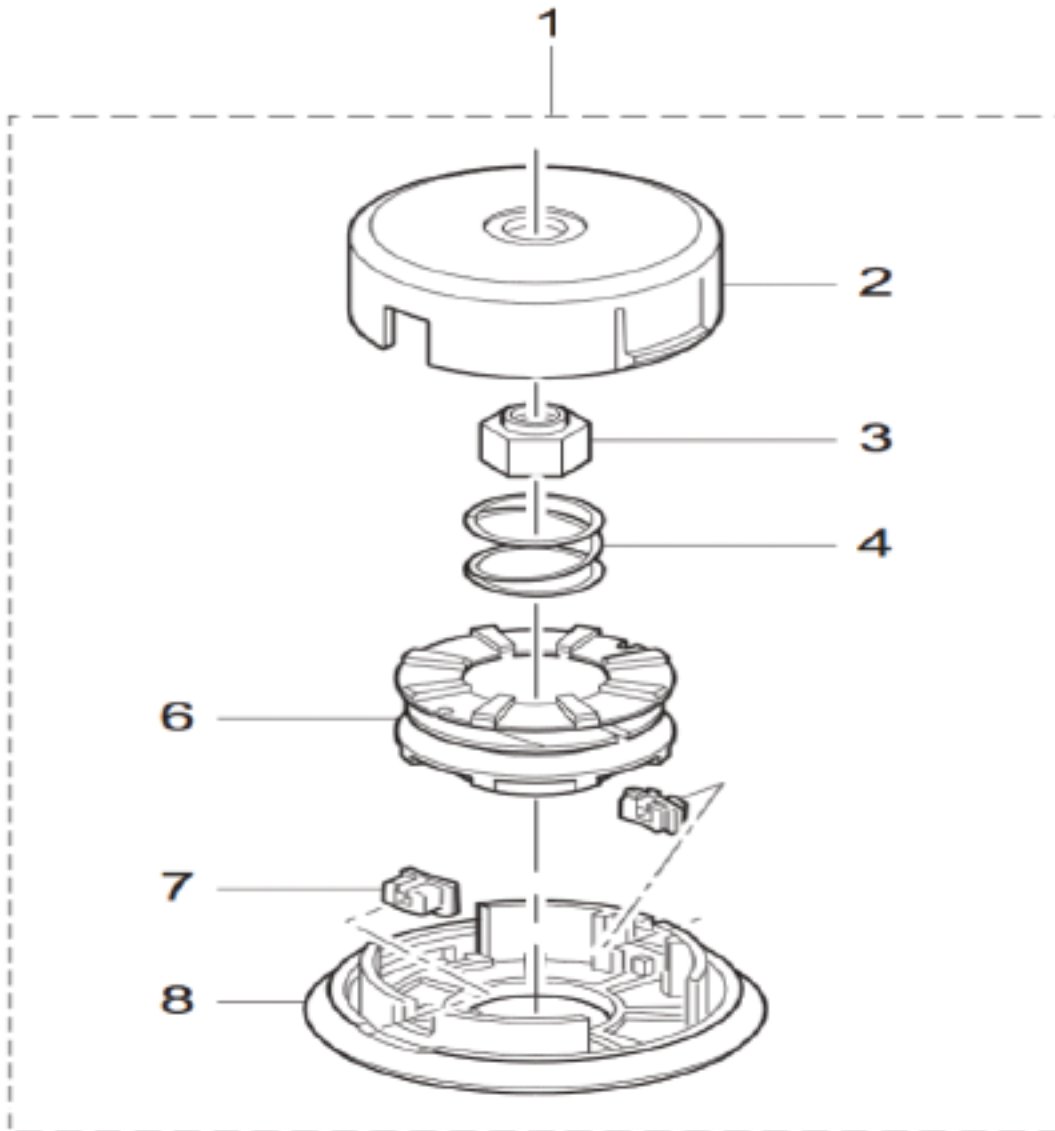
Products with multiple versions are listed in subsiding order with the newest version on top not indented.

Fig. No.	Part No.	Description	Q'ty	Unit	Notes
2	B-03034	HOUSING	1		No Longer Available
3	B-03040	NUT	1		No Longer Available
4	234229-8	SPRING	1		
6	453228-3	SPOOL	1		
7	318816-2	EYELET	2		
8	B-60159	COVER	1		



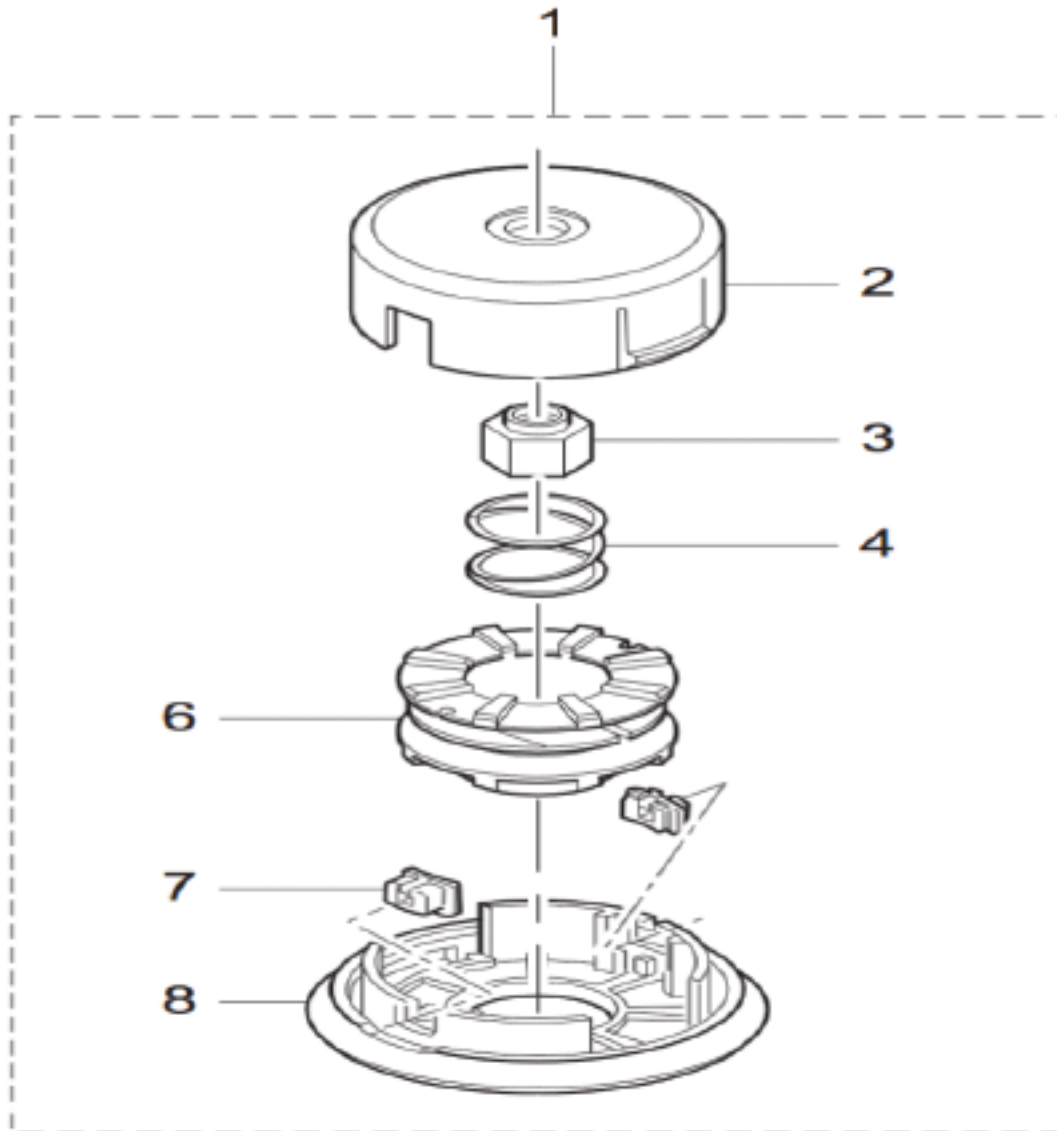
Products with multiple versions are listed in subsiding order with the newest version on top not indented.

Fig. No.	Part No.	Description	Q'ty Unit	Notes
2	141329-6	HOUSING	1	
3	318848-9	NUT	1	No Longer Available
4	234229-8	SPRING	1	
6	453228-3	SPOOL	1	
7	318816-2	EYELET	2	
8	453227-5	COVER	1	



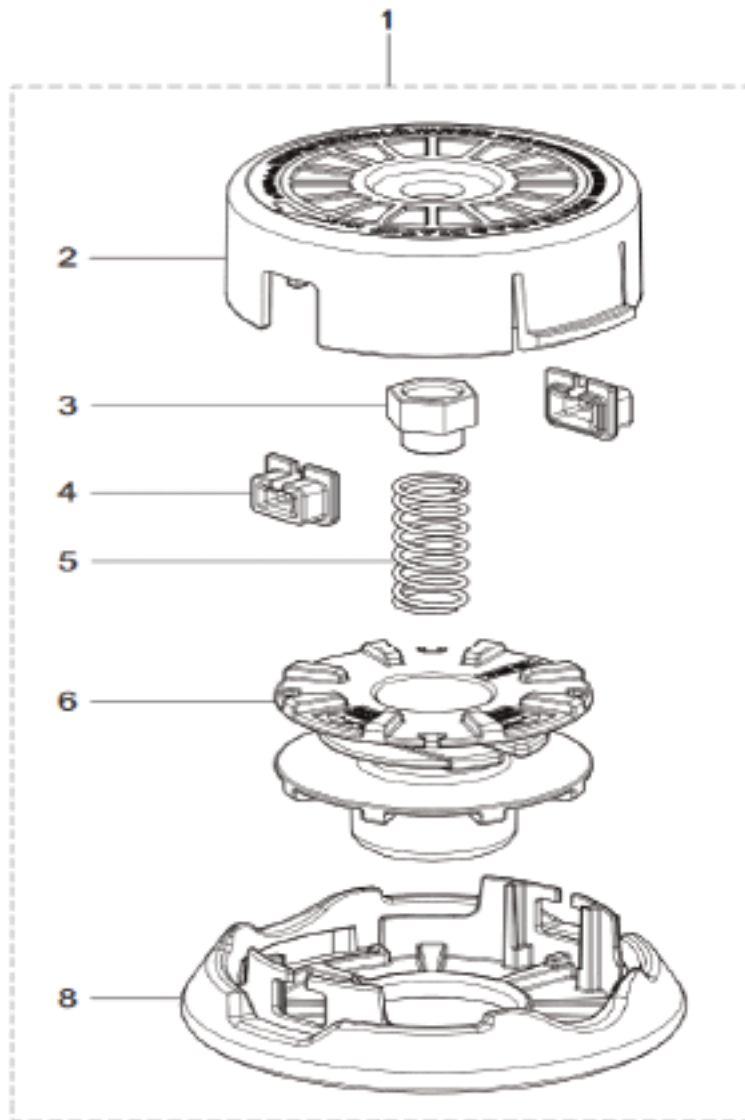
Products with multiple versions are listed in subsiding order with the newest version on top not indented.

Fig. No.	Part No.	Description	Q'ty	Unit	Notes
2	141181-2	HOUSING	1		
3	B-03040	NUT	1		No Longer Available
4	234229-8	SPRING	1		
6	453228-3	SPOOL	1		
7	318816-2	EYELET	2		
8	453227-5	COVER	1		



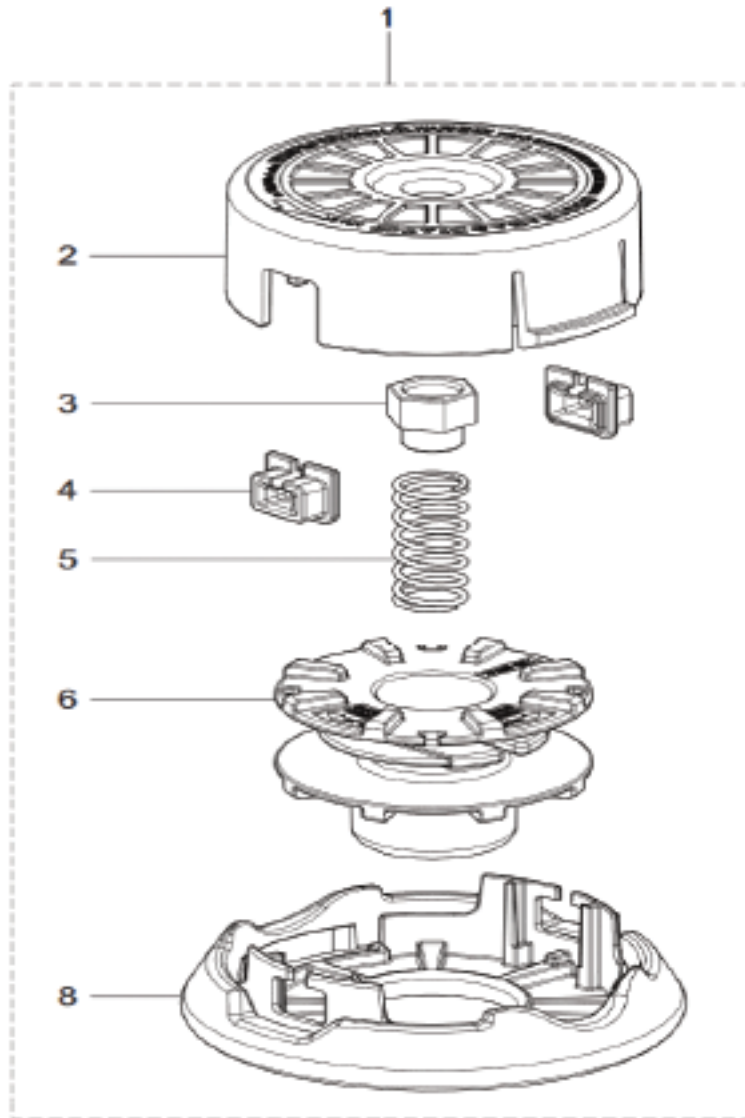
Products with multiple versions are listed in subsiding order with the newest version on top not indented.

Fig. No.	Part No.	Description	Q'ty	Unit	Notes
2	141181-2	HOUSING	1		
3	B-03090	NUT	1		
4	234229-8	SPRING	1		
6	453228-3	SPOOL	1		
7	318816-2	EYELET	2		
8	453227-5	COVER	1		



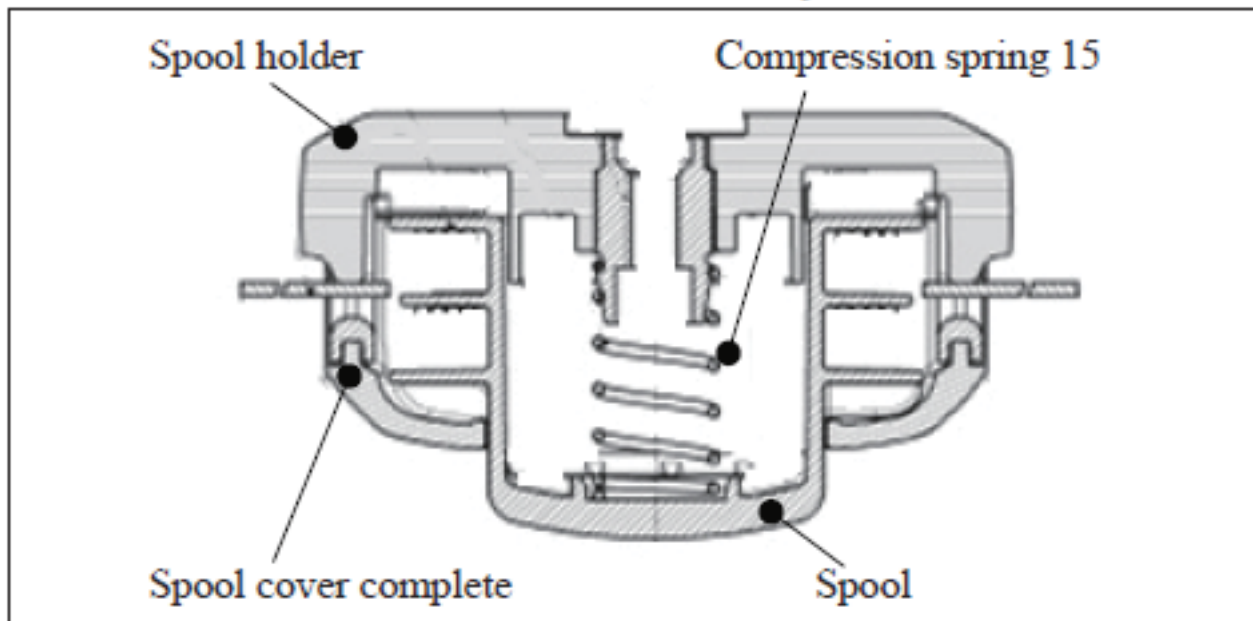
Products with multiple versions are listed in subsiding order with the newest version on top not indented.

Fig. No.	Part No.	Description	QTY	Notes
2		HOUSING	1	
3		NUT	1	
4	318816-2	EYELET	1	
5		SPRING	1	
6		SPOOL	1	
8		COVER		



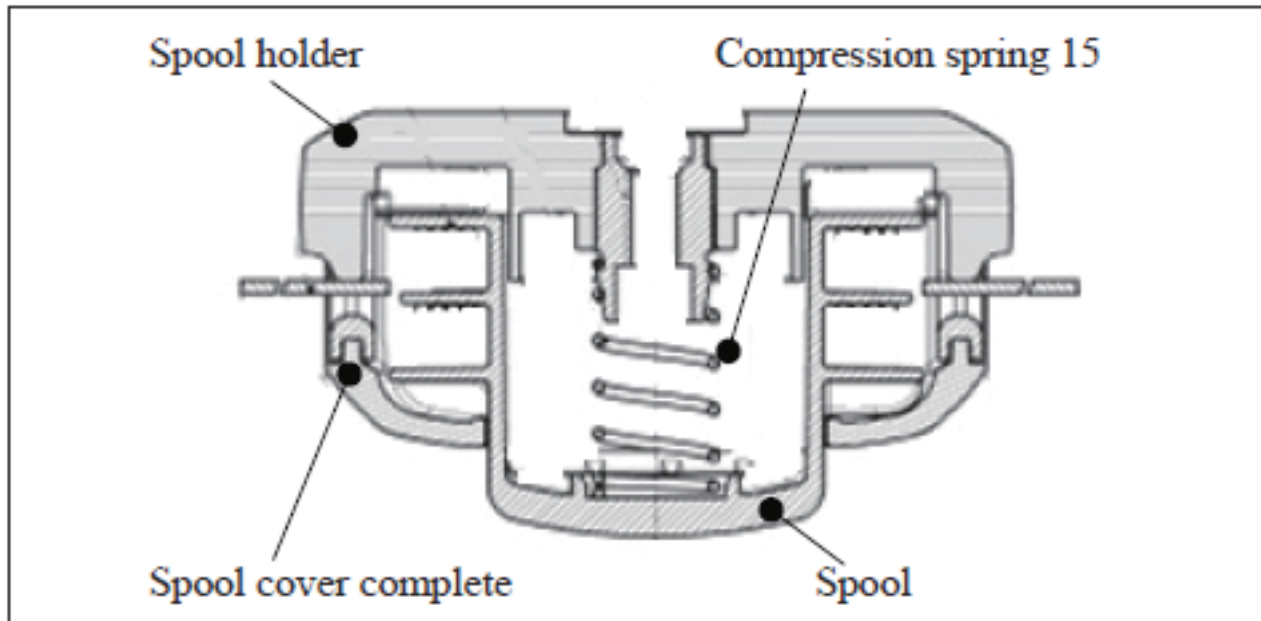
Products with multiple versions are listed in subsiding order with the newest version on top not indented.

Fig. No.	Part No.	Description	QTY	Notes
2		HOUSING	1	
3		NUT	1	
4	318816-2	EYELET	1	
5		SPRING	1	
6		SPOOL	1	
8		COVER		



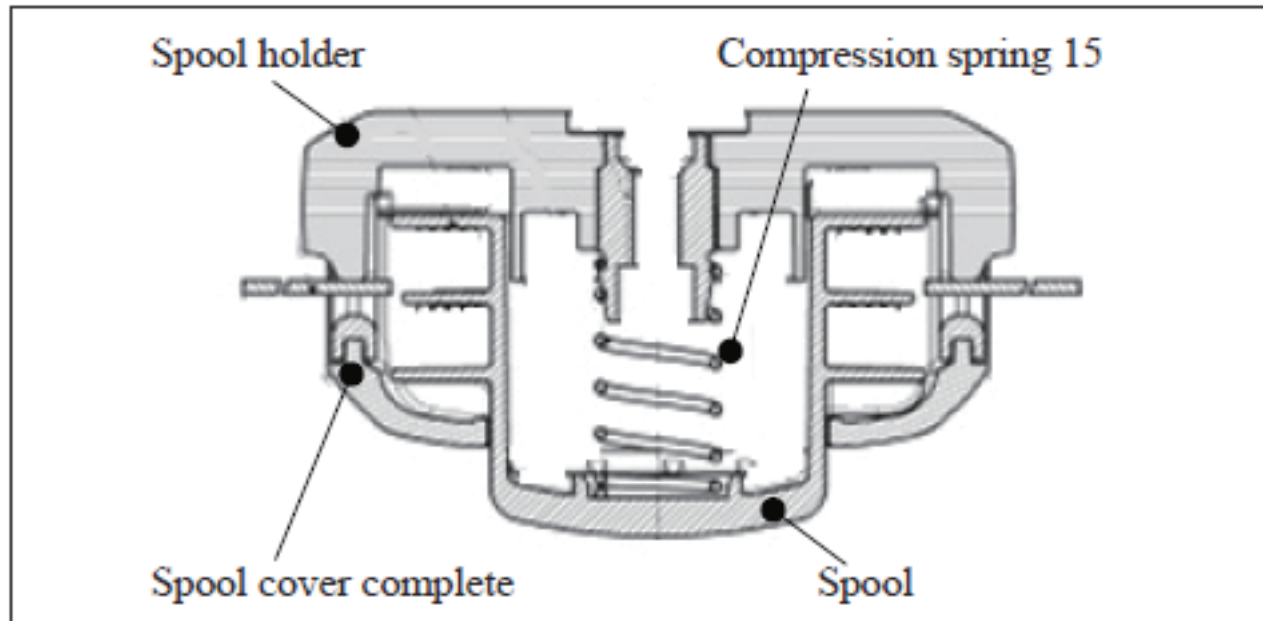
Products with multiple versions are listed in subsiding order with the newest version on top not indented.

Part No.	Description	QTY	Notes
456640-6	SPOOL HOLDER	1	
232289-4	COMPRESSION SPRING 15	1	
144259-0	SPOOL COVER COMPLETE	1	
456642-2	SPOOL	1	



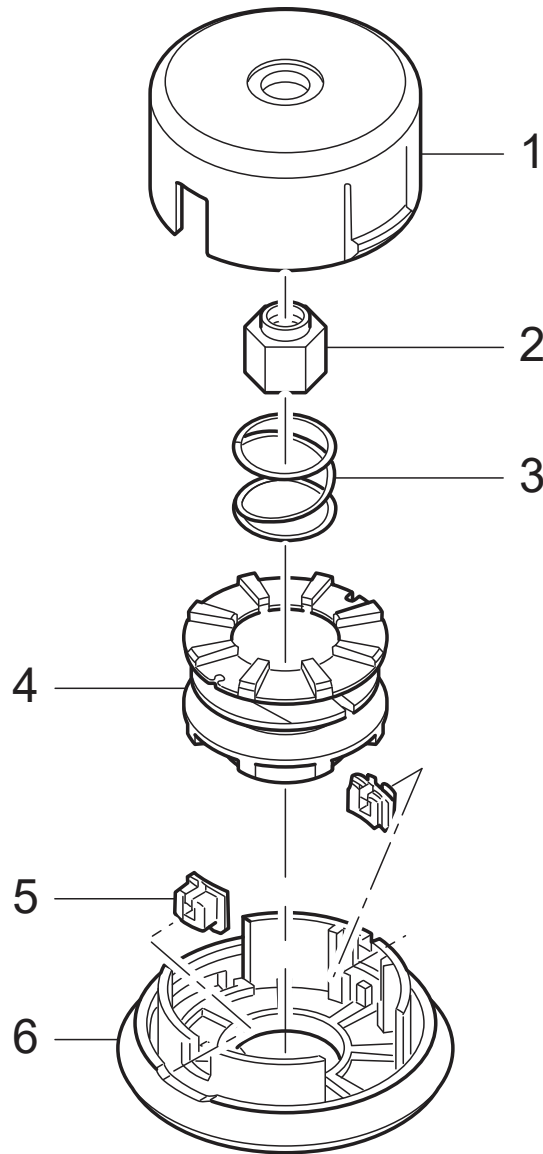
Products with multiple versions are listed in subsiding order with the newest version on top not indented.

Part No.	Description	QTY	Notes
456640-6	SPOOL HOLDER	1	
232289-4	COMPRESSION SPRING 15	1	
144259-0	SPOOL COVER COMPLETE	1	
456642-2	SPOOL	1	



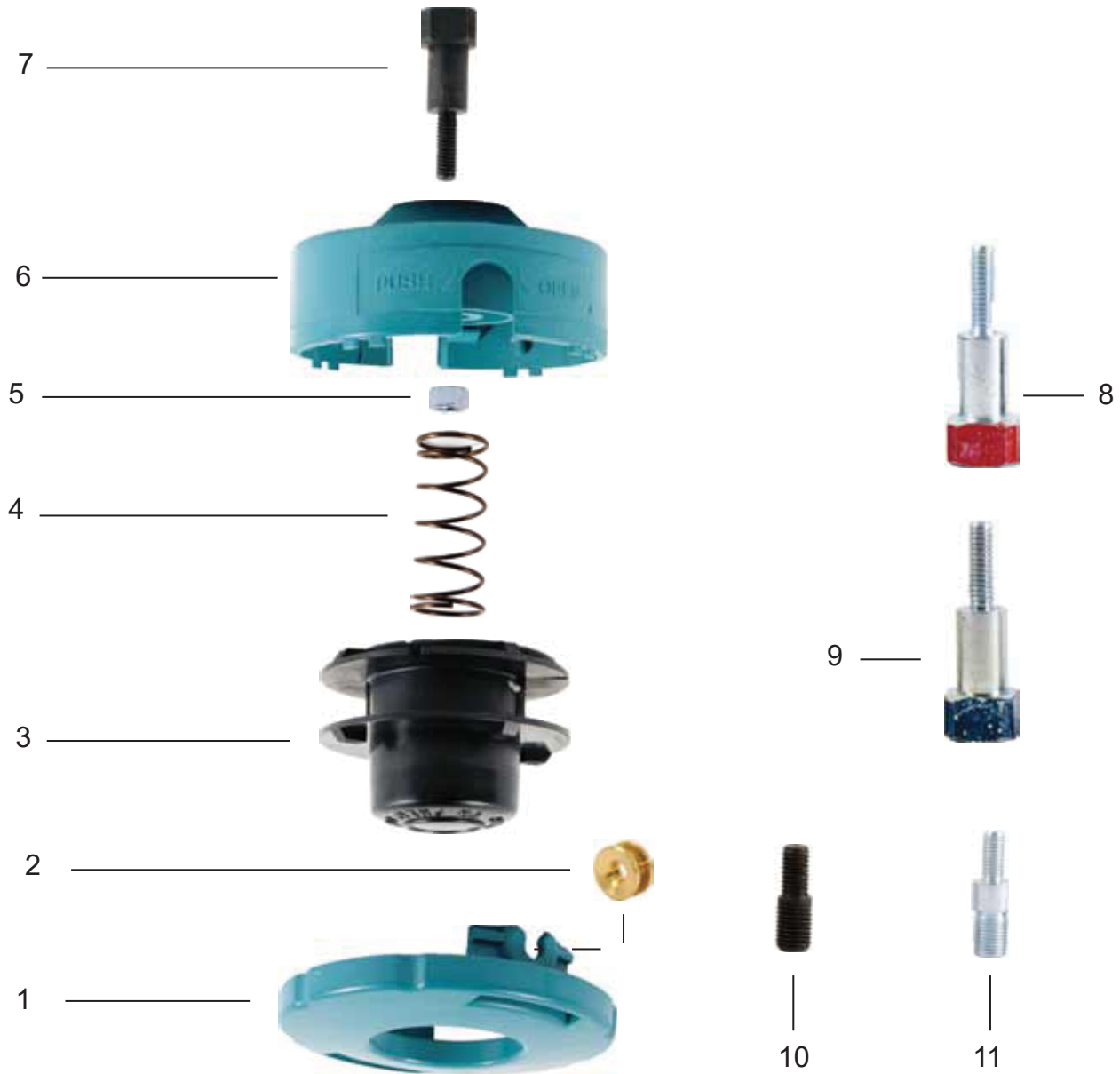
Products with multiple versions are listed in subsiding order with the newest version on top not indented.

Part No.	Description	QTY	Notes
456640-6	SPOOL HOLDER	1	
232289-4	COMPRESSION SPRING 15	1	
144259-0	SPOOL COVER COMPLETE	1	
456642-2	SPOOL	1	



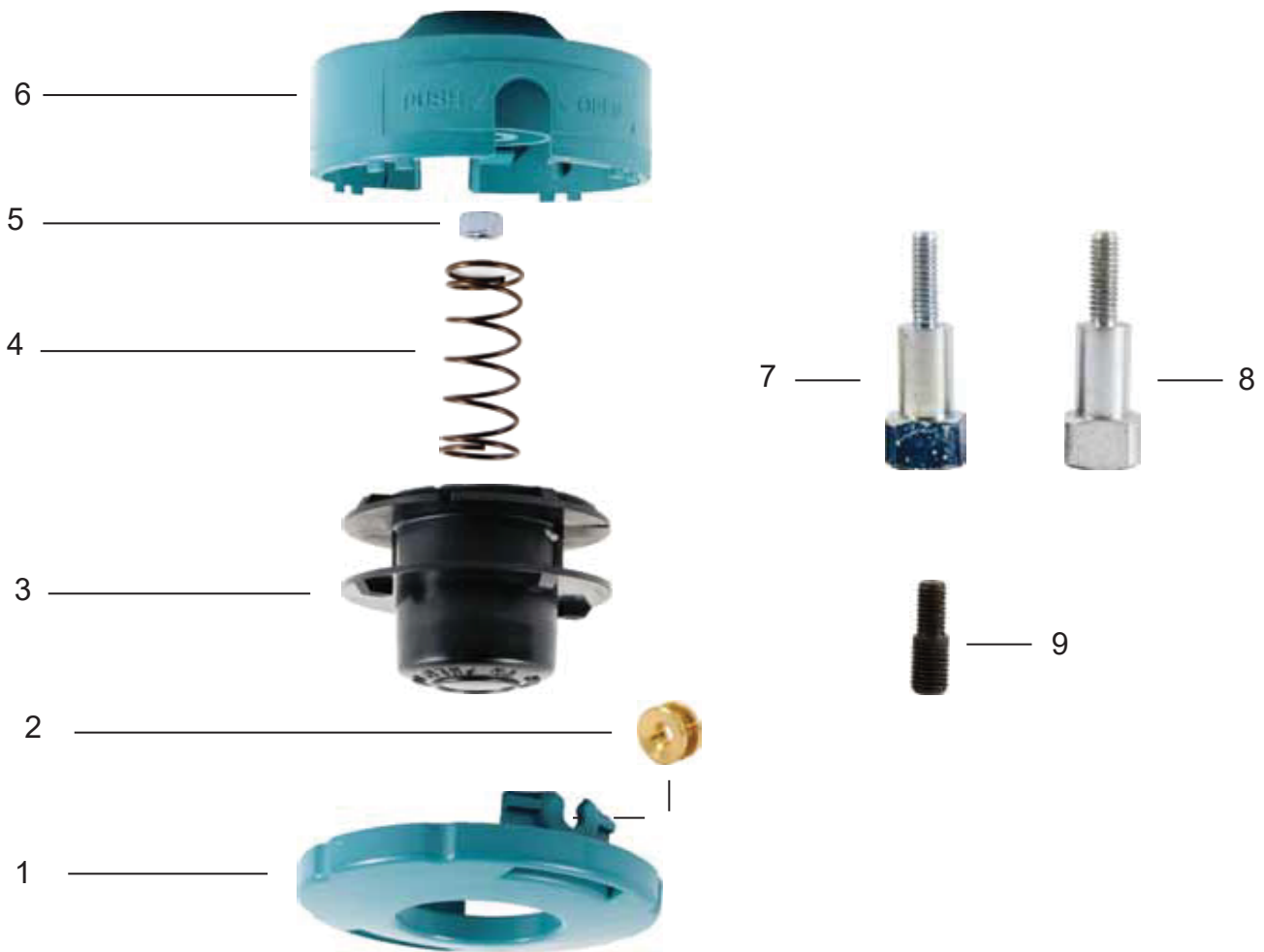
Products with multiple versions are listed in subsiding order with the newest version on top not indented.

Fig. No.	Part No.	Description	QTY	Notes
1	50203AA001	HOUSING	1	
2	50203AA004	ADAPTOR	1	
3	50203AA007	SPRING	1	
4	50203AA003	SPOOL	1	
5	351-502-015	EYELET	2	
6	50203AA002	COVER	1	



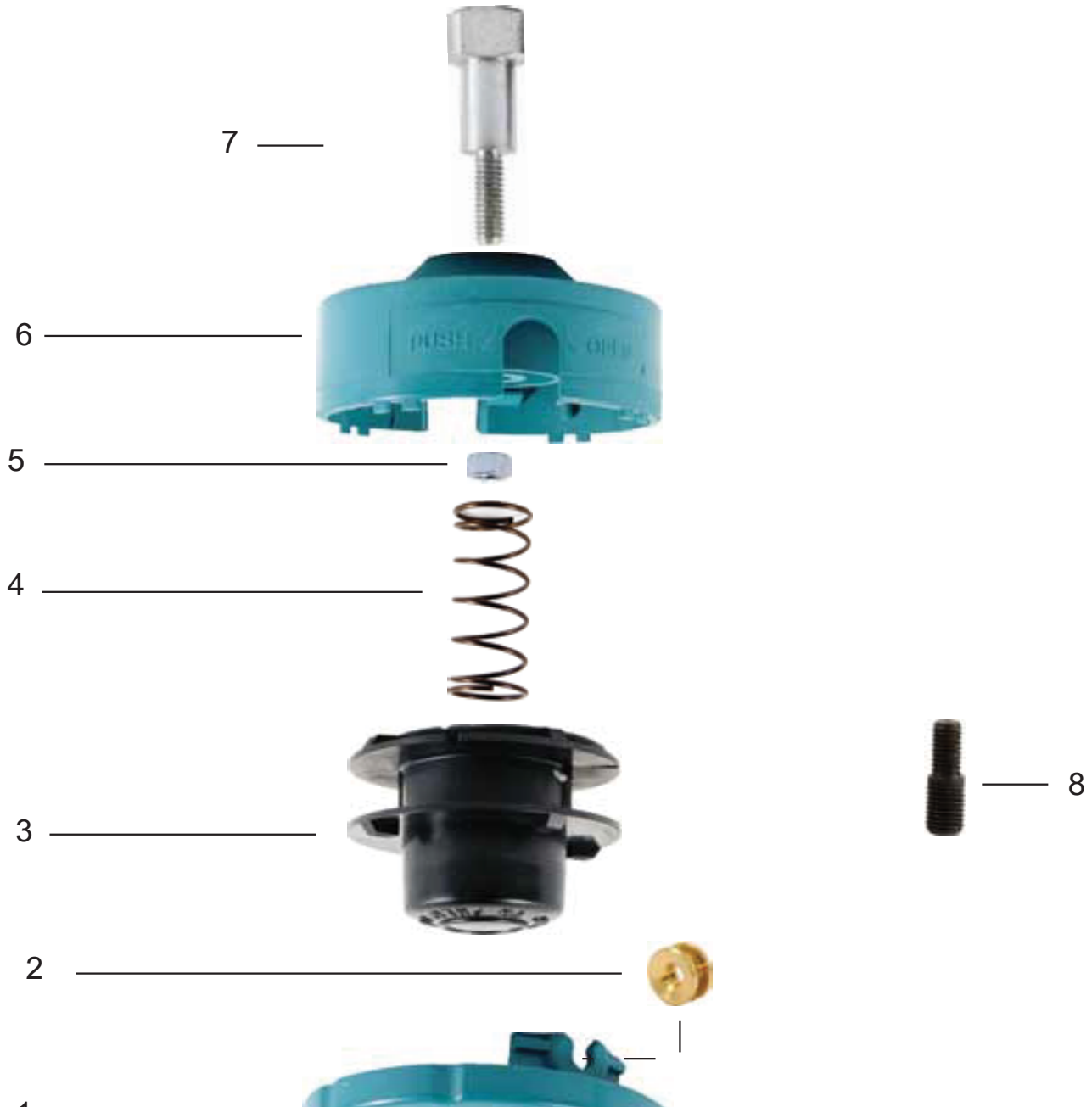
Products with multiple versions are listed in subsiding order with the newest version on top not indented.

Fig. No.	Part No.	Description	QTY	Notes
1	112508-A	Base	1	
2	111203-A	Eyelet	2	
3	112505-A	Inner Spool	1	
4	112506-A	Spring	1	
5	112507-A	Shaft Nut w/ washer	1	
6	112502-A	Housing	1	
7	150110-A	M8 X 1.25 RH Shaft Bolt (Black)	1	
8	H150140	M10 X 1.25 LH Shaft Bolt (Silver)	1	No Longer Available
9	11150110-A	M8 X 1.25 LH Shaft Bolt (Blue)	1	
10	11153025-A	M10 X 1.25 LH / M8 x 1.25 LH Stud	1	
11	H153026	M7 X 1.0 LH / M 10 X 1.0 LH Stud	1	No Longer Available



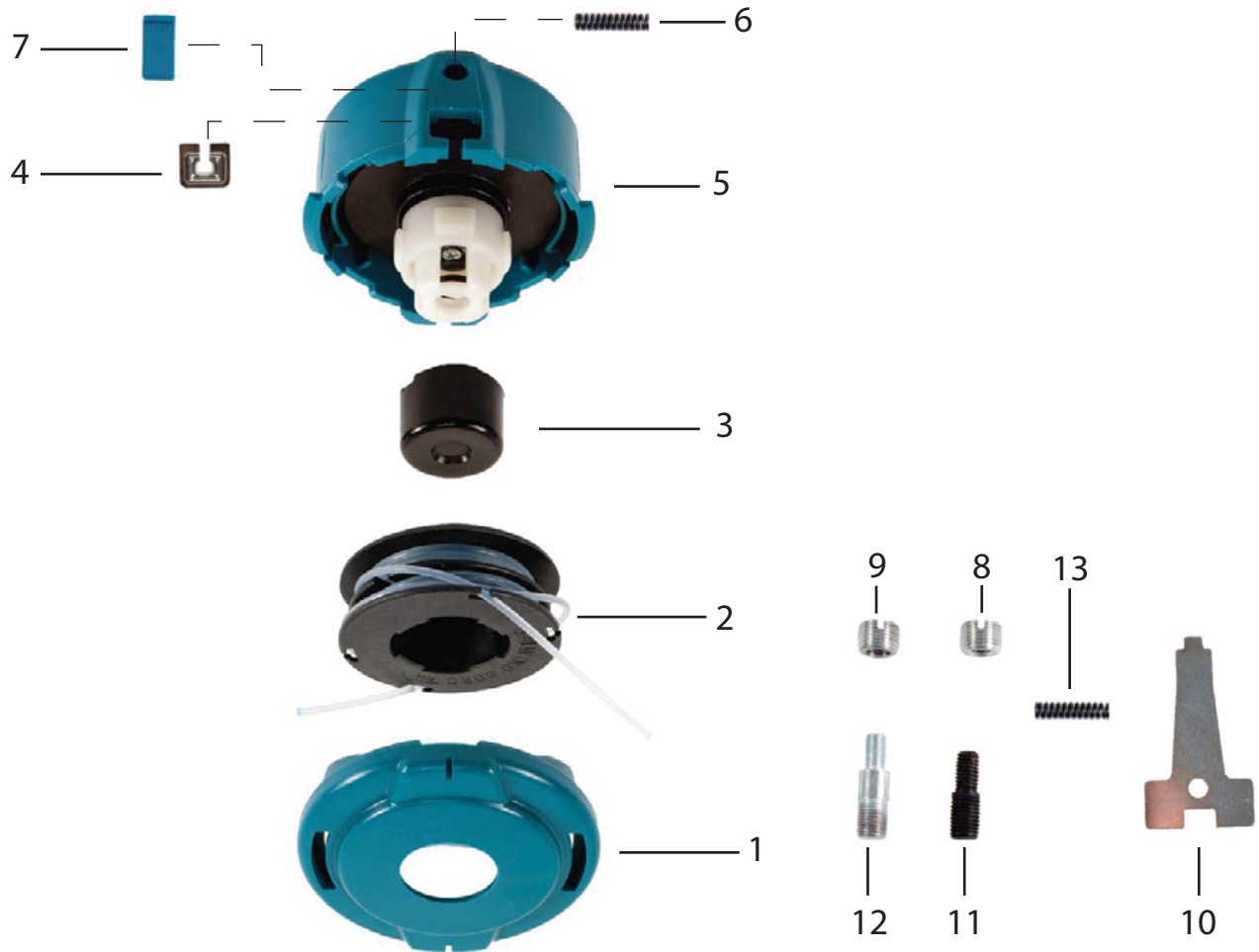
Products with multiple versions are listed in subsiding order with the newest version on top not indented.

Fig. No.	Part No.	Description	QTY	Notes
1	112508-A	Base	1	
2	111203-A	Eyelet	2	
3	112505-A	Inner Spool	1	
4	112506-A	Spring	1	
5	112507-A	Shaft Nut w/ washer	1	
6	112502-A	Housing	1	
7	11150110-A	M8 X 1.25 LH Shaft Bolt (Blue)	1	
8	11150120-M2	M10 X 1.25 LH Shaft Bolt (Silver)	1	
9	11153025-A	M10 X 1.25 LH / M8 x 1.25 LH Stud	1	



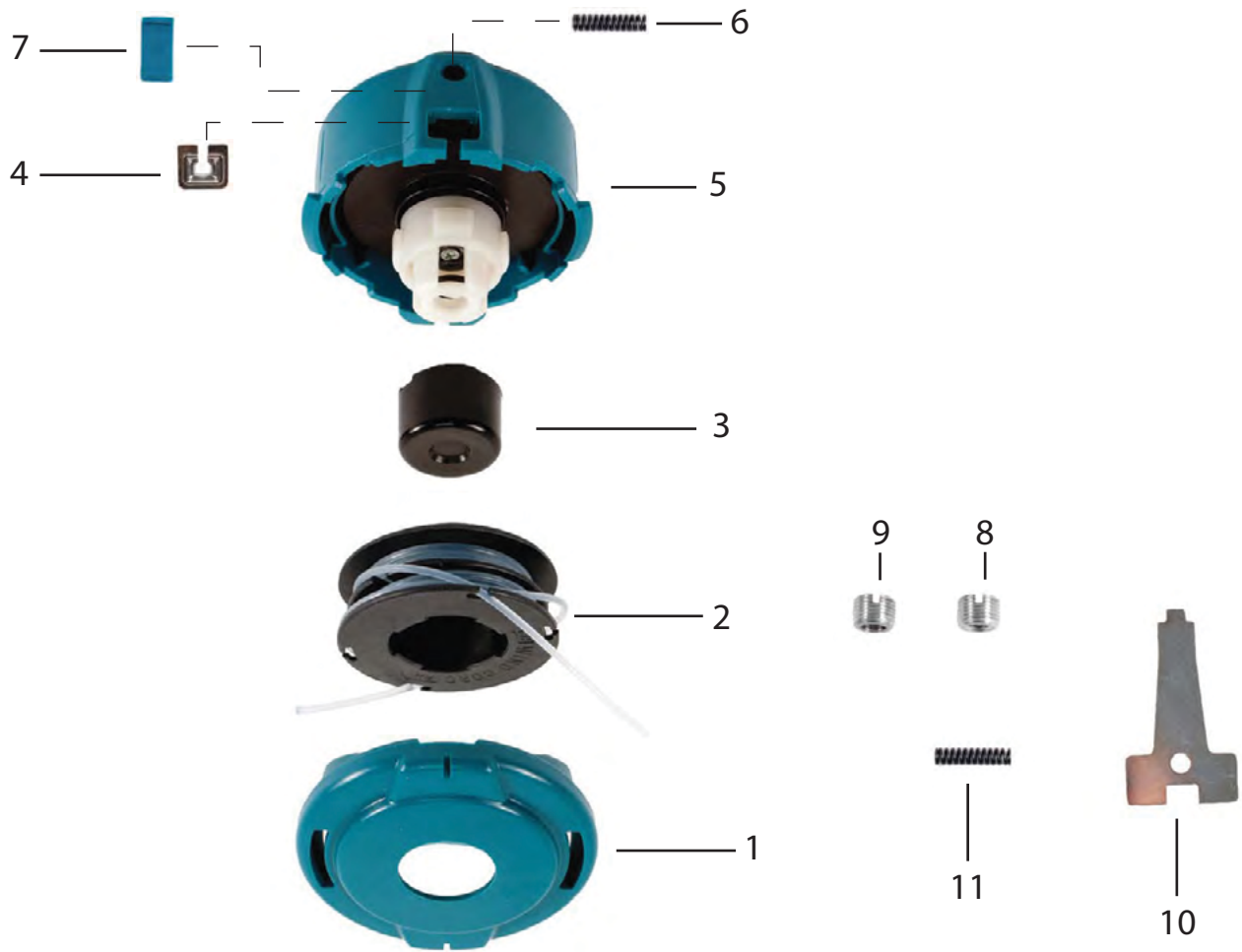
Products with multiple versions are listed in subsiding order with the newest version on top not indented.

Fig. No.	Part No.	Description	QTY	Notes
1	112508-A	Base	1	
2	111203-A	Eyelet	2	
3	112505-A	Inner Spool	1	
4	112506-A	Spring	1	
5	112507-A	Shaft Nut w/ washer	1	
6	112502-A	Housing	1	
7	11150120-M2	M10 X 1.25 LH Shaft Bolt (Silver)	1	
8	11153025-A	M10 X 1.25 LH / M8 x 1.25 LH Stud	1	



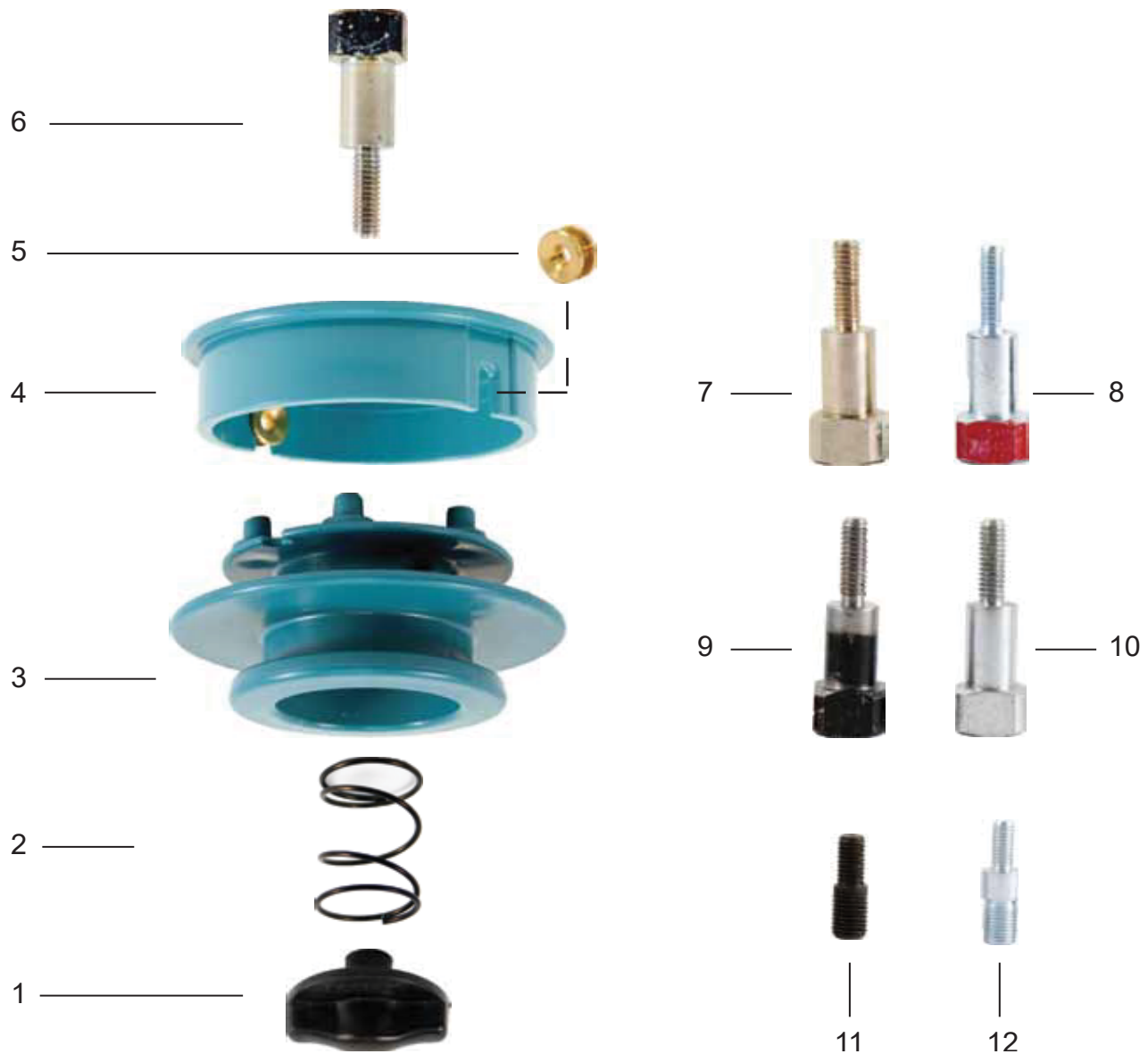
Products with multiple versions are listed in subsiding order with the newest version on top not indented.

Fig. No.	Part No.	Description	QTY	Notes
1	A-15958	Nylon Cover	1	
2	A-15964	Spool	1	
3	A-15986	Knob Head	1	
4	318816-2	Eyelet	2	
5	A-16003	Housing	1	
6	A-16019	Spring (Strong - Black)	2	
7	A-16106	Spring Cover	1	
8	A-16025	A-Nut M8 X 1.25 (LH)	1	
9	A-16031	B-Nut M10 X 1.25 (LH)	1	
10	A-16069	Special Wrench	1	
11	A-16047	C-Bolt M8 X 1.25, M10 X 1.25 (LH)	1	
12	A-16053	D-Bolt M7X 1.0, M10 X 1.25 (LH)	1	
13	A-16097	Spring (Regular - Red)	2	



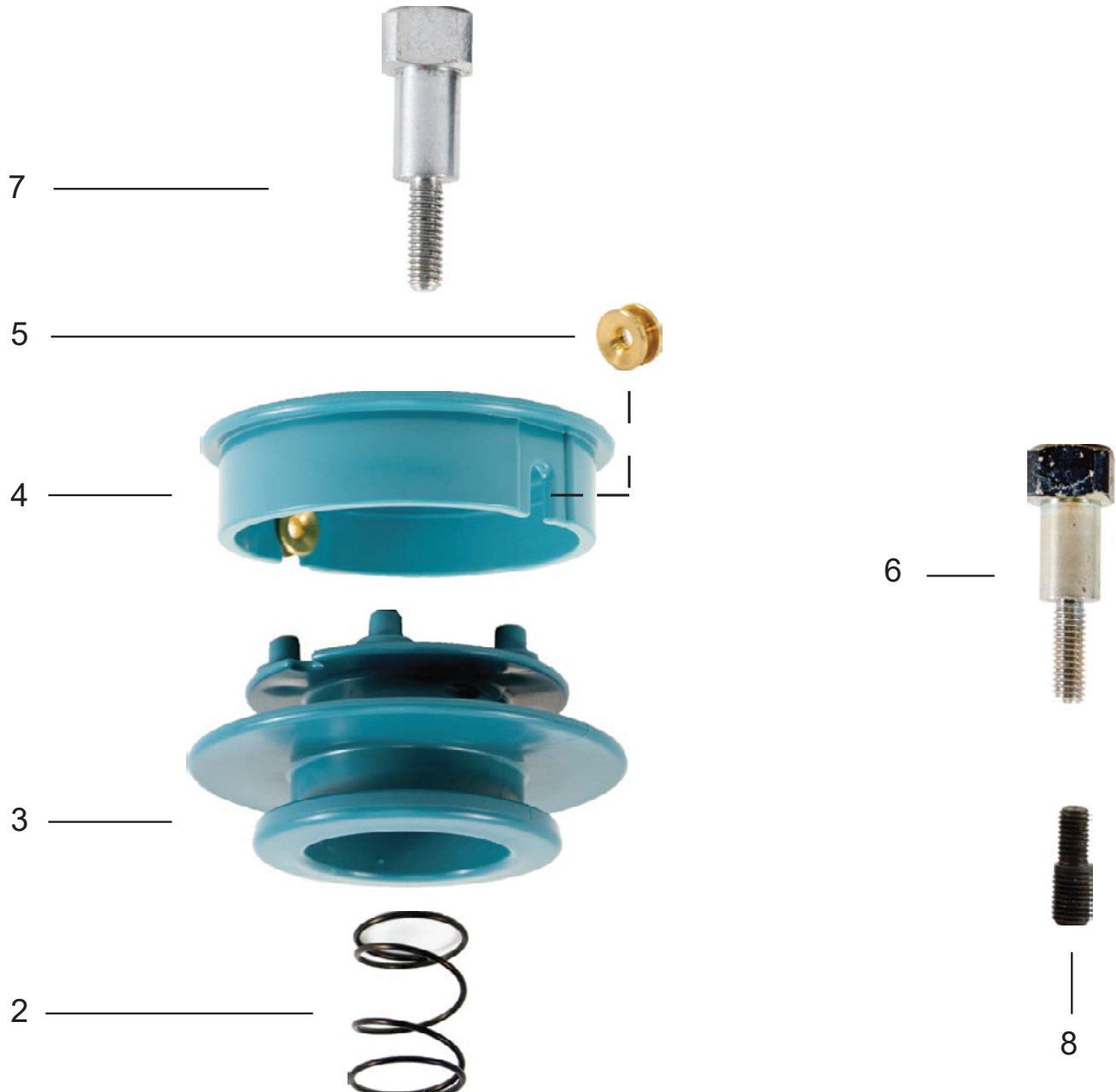
Products with multiple versions are listed in subsiding order with the newest version on top not indented.

Fig. No.	Part No.	Description	QTY	Notes
1	A-15958	Nylon Cover	1	
2	A-15964	Spool	1	
3	A-15986	Knob Head	1	
4	318816-2	Eyelet	2	
5	A-16003	Housing	1	
6	A-16019	Spring (Strong - Black)	2	
7	A-16106	Spring Cover	1	
8	A-16639	A-Nut M8 X 1.25 (RH)	1	
9	A-16645	B-Nut 3/8" X 24 (RH)	1	
10	A-16069	Special Wrench	1	
11	A-16097	Spring (Regular - Red)	2	



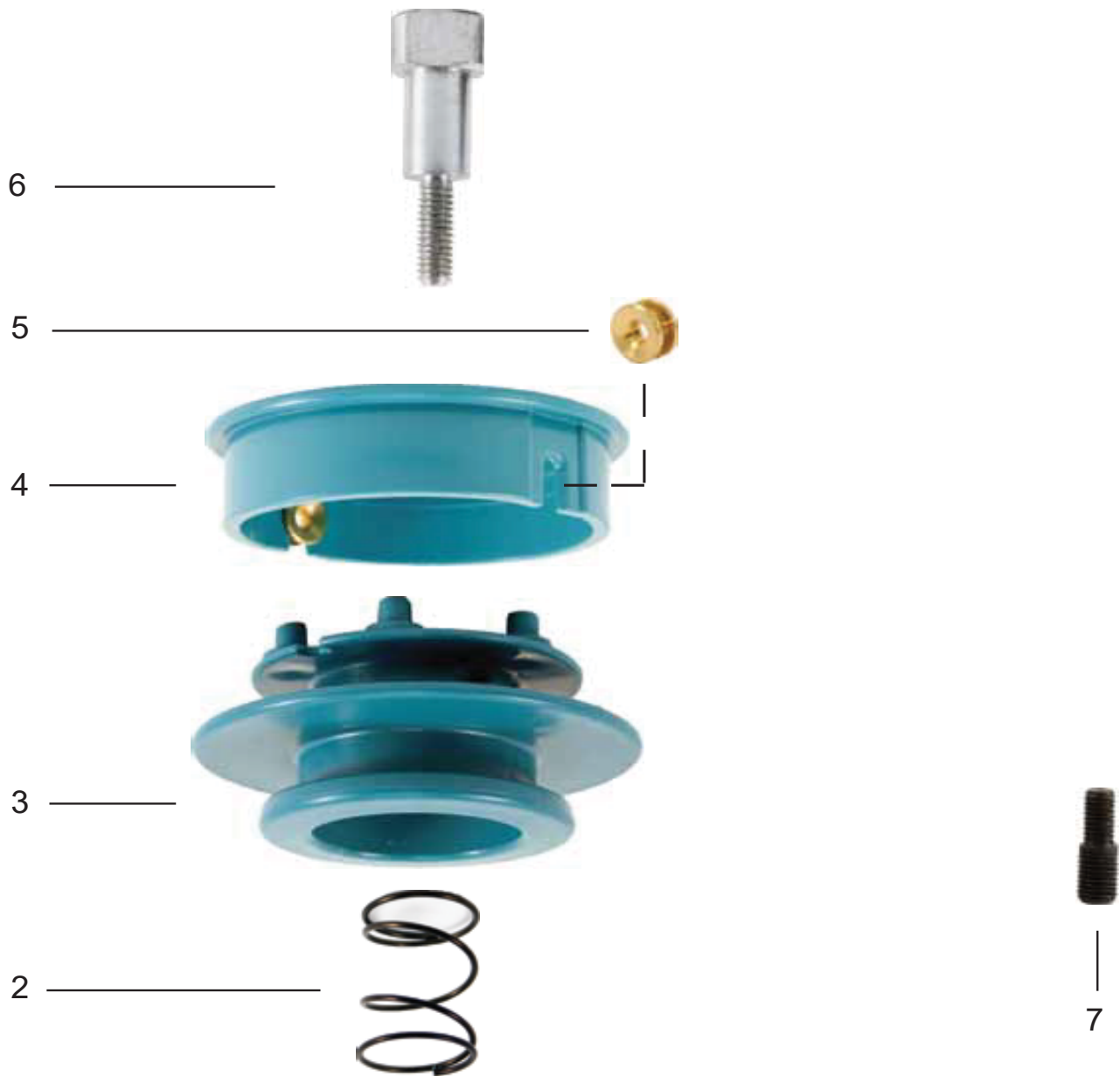
Products with multiple versions are listed in subsiding order with the newest version on top not indented.

Fig. No.	Part No.	Description	QTY	Notes
1	112508-A	Base	1	
2	111203-A	Eyelet	2	
3	112505-A	Inner Spool	1	
4	112506-A	Spring	1	
5	112507-A	Shaft Nut w/ washer	1	
6	112502-A	Housing	1	
7	150110-A	M8 X 1.25 RH Shaft Bolt (Black)	1	
8	H150140	M10 X 1.25 LH Shaft Bolt (Silver)	1	No Longer Available
9	11150110-A	M8 X 1.25 LH Shaft Bolt (Blue)	1	
10	11153025-A	M10 X 1.25 LH / M8 x 1.25 LH Stud	1	
11	H153026	M7 X 1.0 LH / M 10 X 1.0 LH Stud	1	No Longer Available



Products with multiple versions are listed in subsiding order with the newest version on top not indented.

Fig. No.	Part No.	Description	QTY	Notes
1	112508-A	Base	1	
2	111203-A	Eyelet	2	
3	112505-A	Inner Spool	1	
4	112506-A	Spring	1	
5	112507-A	Shaft Nut w/ washer	1	
6	112502-A	Housing	1	
7	11150110-A	M8 X 1.25 LH Shaft Bolt (Blue)	1	
8	11150120-M2	M10 X 1.25 LH Shaft Bolt (Silver)	1	
9	11153025-A	M10 X 1.25 LH / M8 x 1.25 LH Stud	1	



Products with multiple versions are listed in subsiding order with the newest version on top not indented.

Fig. No.	Part No.	Description	QTY	Notes
1	111207L-A	Knob	1	
2	111206-A	Spring	1	
3	111205-A	Inner Spool	1	
4	111202-A	Housing	1	
5	111203-A	Eyelet	2	
6	11150120-M2	M10 X 1.25 LH Shaft Bolt (Silver)	1	
7	11153025-A	M10 X 1.25 LH / M8 X 1.25 LH Stud	1	