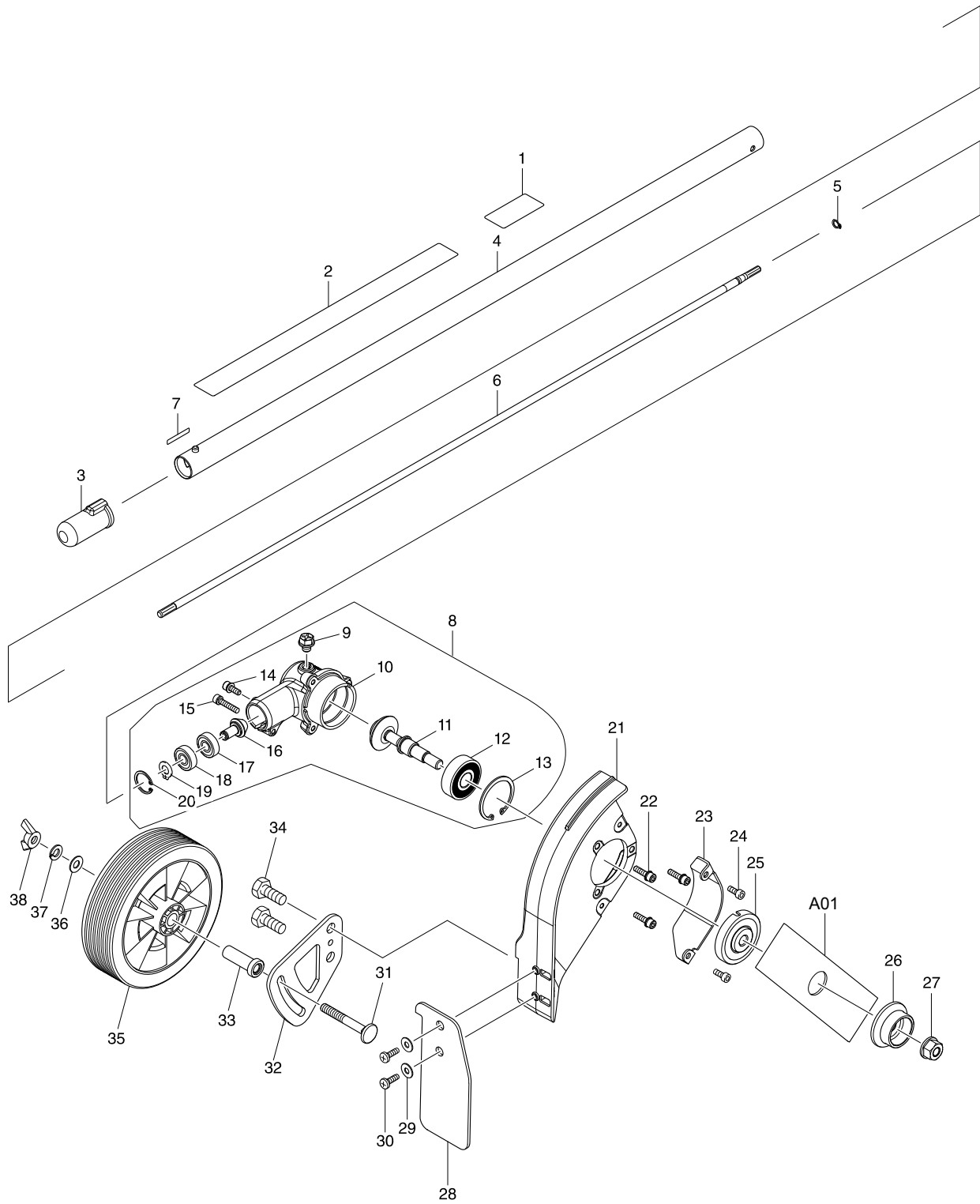




PARTS BREAKDOWN

EE400MP

PE-CS



Products with multiple versions are listed in subsiding order with the newest version on top not indented.

Section	Fig. No.	Part No.	Description	EE400MP	PE-CS	Tech Bulletin	Notes
1	1	893670-0	MAKITA LOGO LABEL	1	1		
1	2	803G36-8	CAUTION LABEL	1	1		
1	3	424434-7	CAP 24	1	1		
1	4	142561-5	SHAFT PIPE A COMPLETE	1	1		INC. 2
1	5	961003-8	RETAINING RING S-7	1	1		
1	6	326088-5	SHAFT A	1	1		
1	7	814A82-0	DATE CODE LABEL	1	1		
1	8	126414-6	GEAR CASE ASS'Y	1	1		INC. 9-13,15-20
1	9	265590-2	+HEX.BOLT M8X10 WITH R	1	1		
1	10	319102-4	GEAR CASE	1	1		
1	11	126415-4	CUTTER SHAFT ASS'Y	1	1		
1	12	211231-8	BALL BEARING 6302DDW	1	1		
1	13	962201-7	RETAINING RING (INT) R-42	1	1		
1	14	922218-2	H.S.H.BOLT M5X14 WITH WR	1	1		
1	15	922241-7	HEX. SOCKET HEAD BOLT M5X25	1	1		
1	16	227629-9	SPIRAL BEVEL GEAR 14	1	1		
1	17	210051-7	BALL BEARING 609ZZ	1	1		
1	17	210049-4	BALL BEARING 609ZZ	1	1		
1	18	210051-7	BALL BEARING 609ZZ	1	1		
1	18	210049-4	BALL BEARING 609ZZ	1	1		
1	19	961005-4	RETAINING RING S-9	1	1		
1	20	962103-7	RETAINING RING R-24	1	1		
1	21	319103-2	BLADE CASE	1	1		
1	22	922233-6	HEX SOCKET HEAD BOLT M5X20	3	1		
1	23	346759-8	GUARD PLATE	1	1		
1	24	266874-1	H.S.H.BOLT M5X14	2	1		
1	25	326734-0	RECEIVE WASHER	1	1		
1	26	326381-7	CLAMP	1	1		
1	27	264025-0	HEX. NUT M10-17	1	1		
1	28	424615-3	DEFLECTOR	1	1		
1	29	253804-1	FLAT WASHER 6	2	1		
1	30	266027-2	TAPPING SCREW CT5X16	2	1		
1	31	266937-3	C.HEAD SQUARE NECK BOLT M8X64	1	1		

Products with multiple versions are listed in subsiding order with the newest version on top not indented.

Section	Fig. No.	Part No.	Description	Version		Tech Bulletin	Notes
				EE400MP	PE-CS		
1	32	346758-0	PLATE	1	1		
1	33	257821-3	SLEEVE 8	1	1		
1	34	921542-0	HEX. BOLT M10X25	2	1		
1	35	454843-6	WHEEL	1	1		
1	36	941201-0	FLAT WASHER 8	1	1		