



Instruction Manual
Manuel d'instructions
Manual de instrucciones
Manual de Instruções
使用说明书 (保留备用)
使用説明書
사용 설명서
Petunjuk penggunaan
Tài liệu hướng dẫn
คู่มือการใช้งาน

⚠ WARNING:

Before use, read this booklet and the instruction manual of the power unit. Failure to follow the warnings and instructions may cause serious or fatal injury.

⚠ AVERTISSEMENT :

Avant toute utilisation, veuillez lire ce mode d'emploi et le manuel d'instructions du groupe moteur. L'ignorance des avertissements et des instructions peut entraîner des blessures graves ou la mort.

⚠ ADVERTENCIA:

Antes de la utilización, lea este folleto, así como el manual de instrucciones del equipo motorizado. No seguir las advertencias e instrucciones puede causar lesiones graves o mortales.

⚠ AVISO:

Antes de usar, leia este livreto e o manual de instruções da unidade motorizada. A falha em seguir os avisos e as instruções pode causar ferimentos graves ou fatais.

⚠ 警告 :

使用前请阅读本手册及动力装置的指导手册。违反这些警告和指示可能导致严重或致命的人身伤害。

⚠ 警告 :

使用前，請閱讀本手冊與動力裝置的說明手冊。若未遵循警告事項與說明，可能會導致嚴重或致命傷害。

⚠ 경고 :

사용하기 전에 본 책자와 동력 장치의 사용 설명서를 읽으십시오. 경고 및 지침을 준수하지 않으면 중상 또는 치명상을 입을 수 있습니다.

⚠ PERINGATAN:

Sebelum menggunakan, bacalah buklet ini dan petunjuk penggunaan unit penggerak. Kelalaian untuk mengindahkan peringatan dan petunjuk dapat mengakibatkan cedera serius atau fatal.

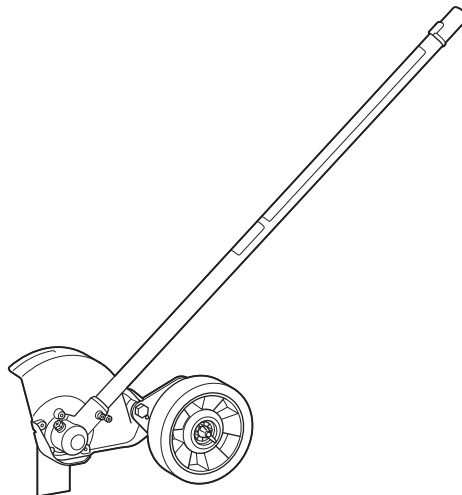
⚠ CÂNH BÁO:

Trước khi sử dụng, hãy đọc cuốn sách nhỏ này và tài liệu hướng dẫn về dụng cụ máy. Không làm theo cảnh báo và hướng dẫn có thể gây thương tích nghiêm trọng hoặc thương tích chết người.

⚠ คำเตือน:

ก่อนใช้งาน โปรดอ่านคู่มือฉบับนี้และคู่มือใช้งานของเครื่องมือ การไม่ปฏิบัติตามคำเตือนและคำแนะนำดังกล่าวอาจทำให้เกิดการบาดเจ็บร้ายแรงหรือเสียชีวิตได้

EE400MP



Contents

	Page
Contents	2
Foreword	2
Symbols	2
Approved power unit.....	3
Part description.....	3
Safety precautions.....	3
Assembly and adjustment	5
Operation.....	6
Inspection and maintenance.....	6
Storage	7
Maintenance schedule.....	8
Troubleshooting.....	8
Technical Data.....	8

Foreword

Thank you very much for purchasing Makita edger attachment. This attachment is designed to be mounted on Makita power unit mentioned in this instruction manual. Before use, please read this booklet and the instruction manual of the power unit. They will assist you to obtain the best possible result from your Makita edger attachment.

Symbols

The following symbols are used on the attachment and this instruction manual. Understand these definitions.



Take particular care and attention.



Read instruction manual.



Keep working area clear of persons



Wear a eye and ear protection.



Wear protective gloves.



Wear sturdy boots with nonslip soles.
Steeltod safety boots are recommended.



Forbidden!



First Aid

Approved power unit

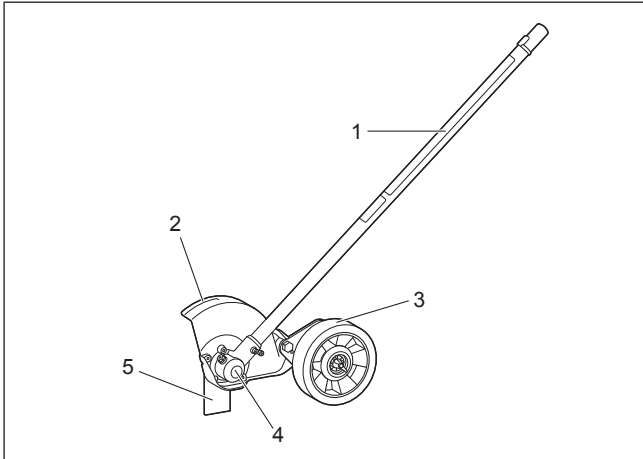
This attachment is approved to use only with the following power unit(s):

EX2650LH Multi function power head
BUX360, BUX361, BUX362, UX360D, UX361D, UX362D
Cordless multi function power head
Only for countries other than the U.S. and Canada:
DUX60 Cordless multi function power head

⚠ WARNING:

Never use the attachment with non-approved power unit.
Non-approved combination may cause serious injury.

Part description



The numbers below refer to the figure.

1. Shaft
2. Blade case
3. Wheel
4. Gear case
5. Blade

Safety precautions

⚠ WARNING:

Read all safety warnings and all instructions in this booklet and the instruction manual of the power unit. Failure to follow the warnings and instructions may result in electric shock, fire and/or serious injury.

Save all warnings and instructions for future reference.

The term "edger" and "equipment" in the warnings and precautions refer to the combination of the attachment and the power unit. The term "motor" in the warnings and precautions refers to the engine or electric motor of the power unit.

IMPORTANT SAFETY INSTRUCTIONS

DANGER – When using your edger, follow basic precautions, including the following:

- a) **READ AND FOLLOW ALL INSTRUCTIONS** – Read the instruction manual carefully. Be thoroughly familiar with the controls and the proper use of the equipment. Know how to stop the unit and disengage the controls quickly.
- b) **DRESS PROPERLY** – Wear safety glasses or goggles. Do not wear loose clothing or jewelry. They can be caught in moving parts. Use of sturdy gloves and safety footwear is recommended.
- c) **STAY ALERT** – Watch what you are doing – use common sense. Do not operate product when fatigued or under the influence of alcohol or drugs.
- d) **CAUTION** – To reduce the risk of fire, replace gasoline cap securely.
- e) **DANGER – ROTATING CUTTING TOOL** –
 - Keep both hands on handles when blade is rotating.
 - Keep feet away from cutting area.

- Do not attempt to remove cut material nor hold material to be cut when motor is running or when cutting tool is moving.
 - Make sure spark plug is disconnected when clearing jammed material from cutting tool.
 - **CAUTION** – Cutting tool coasts after turn off.
- f) **KEEP OPERATING AREA CLEAR** – Keep the area of operation clear of all persons, particularly small children and pets.
 - g) **USE EDGER PROPERLY** – Use only for edging the type of shrub, growth, and the like described in the operating instructions. Do not abuse product. Do not use product in rain or wet locations. Never allow children to operate the product. Never allow adults to operate the product without proper instruction.
 - h) **DON'T OVERREACH OR STAND ON UNSTABLE SUPPORT** – Keep good footing and balance at all times.
 - i) **DISCONNECT (UNPLUG) SPARK PLUG LEAD** –
 - When not in use.
 - Before servicing, cleaning, and the like.
 - Before changing accessories.
 - j) **MAINTAIN PRODUCT WITH CARE** –
 - Follow maintenance instructions given in Manual.
 - To reduce the risk of fire, do not allow excessive grass, leaves, or grease to accumulate on the product.
 - k) **STORE PRODUCT INDOORS** – When not in use, store product indoors in a dry place locked or otherwise inaccessible to children.
 - l) **DO NOT ATTEMPT TO REPAIR PRODUCT** –
 - Have repairs made by qualified dealer or repairman.
 - See that only identical replacement parts are used.

Instructions pertaining to a risk of fire or injury to persons

- a) Do not operate product when barefoot or wearing open sandals. Always wear safety footwear, and pants or slacks that cover your legs.
- b) Do not use the product on graveled surfaces.
- c) Never operate the product without visibility or light.
- d) Start motor carefully. Make certain all attachments are disengaged before attempting to start. Keep hands, feet, and clothing away from cutting tool and moving parts.
- e) Never attempt to make any adjustments while the motor is running (except where specifically recommended by the manufacturer).
- f) Never direct discharge of material toward bystanders nor allow anyone near the area of operation. Use care in directing discharge to avoid glass enclosures, automobiles, and similar objects.
- g) Stay alert for uneven sidewalks, holes in terrain or other similar conditions when using product. Always push slowly over rough ground.
- h) Objects struck by the cutting tool can cause severe injuries to persons. The lawn should always be carefully examined and cleared of all objects prior to edging.
- i) If product strikes a foreign object follow these steps:
 - 1) Stop product.
 - 2) Disconnect spark plug lead.
 - 3) Inspect for damage.
 - 4) Repair any damage before restarting and operating the product.
- j) Disengage the cutting tool when the product is transported or not in use.
- k) Take all possible precautions when leaving the product unattended. Disengage attachments, and stop the motor.
- l) When cleaning, repairing, or inspecting, make certain the cutting tool and all moving parts have stopped. Remove the battery, or disconnect the spark plug wire, and keep the wire away from the plug so that unintentional starting does not occur.
- m) Never operate the product without guards, plates, or other protective devices in place.
- n) Use only accessories and attachments supplied or specifically recommended for use with the product.
- o) Do not operate product with a damaged or excessively worn cutting tool.

Intended use

- This equipment is only intended for edging the lawn in conjunction with an approved power unit. Never use the attachment for the other purpose. Abusing the attachment may cause serious injury.

General precautions

- Before starting the equipment, read this booklet and the instruction manual of the power unit to become familiar with the handling of the equipment.
- Do not lend the attachment to a person with insufficient experience or knowledge regarding handling of the equipment.
- When lending the attachment, always attach this instruction manual.
- Do not allow children or young persons under 18 years old to use the equipment. Keep them away from the equipment.
- Handle the equipment with the utmost care and attention.
- Never use the equipment after consuming alcohol or drugs, or if feeling tired or ill.
- Keep in mind that the operator or user is responsible for accidents or hazards occurring to other people or their property.
- Never attempt to modify the attachment.
- Follow the regulations about handling of the equipment in your country.
- Keep guards in place and in working order.
- Keep blades sharp.
- Keep hands and feet away from cutting area.

Personal protective equipment

- Wear safety helmet, protective goggles and protective gloves to protect yourself from flying debris or falling objects.



- Wear ear protection such as ear muffs to prevent hearing loss.
- Wear proper clothing and shoes for safe operation, such as a work overall and sturdy, non-slip shoes. Do not wear loose clothing or jewelry. Loose clothes, jewelry or long hair can be caught in moving parts.
- When touching the cutting blade, wear protective gloves. Cutting blades can cut bare hands severely.

Work area safety

- Operate the equipment under good visibility and daylight conditions only. Do not operate the equipment in darkness or fog.
- Start and operate the engine only outdoors in a well ventilated area. Operation in a confined or poorly ventilated area can result in death due to suffocation or carbon monoxide poisoning.
- During operation, never stand on an unstable or slippery surface or a steep slope. During the cold season, beware of ice and snow and always ensure secure footing.
- During operation, keep bystanders or animals at least 15 m away from the equipment. Stop the motor as soon as someone approaches.
- Before operation, examine the work area for stones or other solid objects. They can be thrown or cause dangerous kickback and result in serious injury and/or property damage.
- **⚠ WARNING:** Use of this product can create dust containing chemicals which may cause respiratory or other illnesses. Some examples of these chemicals are compounds found in pesticides, insecticides, fertilizers and herbicides. Your risk from these exposures varies, depending on how often you do this type of work. To reduce your exposure to these chemicals: work in a well ventilated area, and work with approved safety equipment, such as those dust masks that are specially designed to filter out microscopic particles.

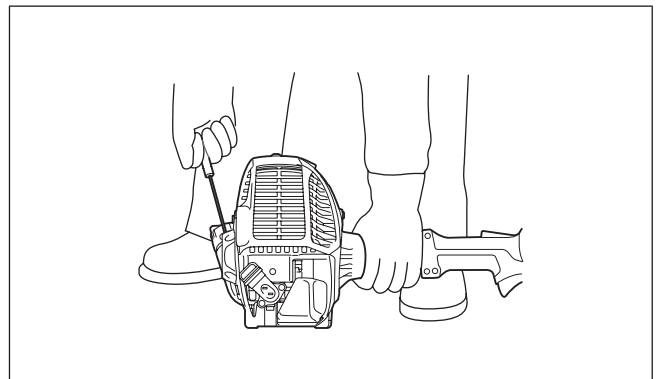
Putting into operation

- Before assembling or adjusting the equipment, switch off the motor and remove the spark plug cap or the battery cartridge.

- Before handling the cutter blade, wear protective gloves.
- Before starting the motor, inspect the equipment for damages, loose screws/nuts or improper assembly. If the cutter blade is bent or damaged, replace it. Check all control levers and switches for easy action. Clean and dry the handles.
- Never attempt to start the motor if the equipment is damaged or not fully assembled. Otherwise serious injury may result.
- Adjust the shoulder harness and hand grip to suit the operator's body size.
- Check damaged parts - Before further use of the attachment, a guard or other part that is damaged should be carefully checked to determine that it will operate properly and perform its intended function. Check for alignment of moving parts, binding of moving parts, breakage of parts, mounting, and any other condition that may affect its operation. A guard or other part that is damaged should be properly repaired or replaced by an authorized service center unless indicated elsewhere in this manual.

Starting motor

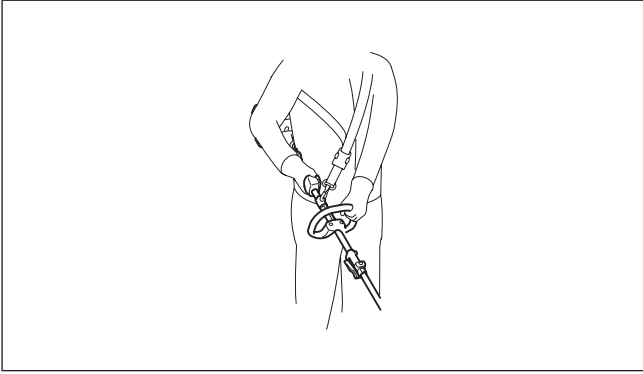
- Wear the personal equipments before starting the motor.
- Start the engine at least 3 meters (10 feet) away from the fueling spot.
- Before starting the motor, make sure that there is no person or animal in the work area.
- When starting the engine or inserting a battery cartridge, keep the cutting tool clear of your body and other object, including the ground. It may rotate when starting and may cause injury or damage to the equipment and/or property.
- Place the equipment on firm ground. Maintain good balance and secure footing.
- When pulling the starter knob, hold the power unit firmly against the ground by your left hand. Never step on the drive shaft of the power unit.



- Follow the instruction manual of the power unit for starting the motor.
- If the cutting tool rotates at idle, stop the engine and adjust the idle speed down.

Operation

- Do not change the engine governor settings or overspeed the engine.
- If the product vibrates abnormally, immediately stop the motor and check for the cause. Vibration is generally a warning of trouble.
- Stop the motor whenever you leave the operating position; remove the battery or disconnect the spark plug lead before unclogging the cutting tool guard, or when making a repair, adjustment, or inspection.
- Operate product from position where guards block the line of sight to the cutting tool.
- In the event of an emergency, switch off the motor immediately.
- If you feel any unusual condition (e.g. noise, vibration) during operation, switch off the motor. Do not use the equipment until the cause is recognized and solved.
- The cutting tool continues to rotate for a short period after releasing the throttle trigger or switch off the motor. Don't rush to contact the cutting tool.
- With the engine running only at idle, attach the shoulder harness.
- During operation, use the shoulder harness. Keep the equipment on your right side firmly.



- Hold the front handle with the left hand and the rear grip with the right hand, no matter you are right-hander or left-hander. Wrap your finger and thumbs around the handles.
- Never attempt to operate the equipment with one hand. Loss of control may result in serious or fatal injury. To reduce the risk of injury, keep your hands and feet away from the cutting tool.
- Do not overreach. Keep proper footing and balance at all times. Watch for hidden obstacles such as tree stumps, roots and ditches to avoid stumbling.
- Never work on a ladder or tree to avoid loss of control.
- If the equipment gets heavy impact or fall, check the condition before continuing work. Check the fuel system for fuel leakage and the controls and safety devices for malfunction. If there is any damage or doubt, ask Makita authorized service center for the inspection and repair.
- Do not touch the gear case. The gear case becomes hot during operation.
- Take a rest to prevent loss of control caused by fatigue. We recommend taking a 10 to 20-minute rest every hour.
- When you leave the equipment, even if it is a short time, always switch off the engine or remove the battery cartridge. The equipment unattended with the engine running may be used by unauthorized person and cause serious accident.
- Follow the instruction manual of the power unit for proper use of the control lever and switch.
- During or after operation, do not put the hot equipment onto dry grass or combustible materials.
- If grass or branches get caught between the cutting tool and guard, always stop the motor and remove the spark plug cap or the battery cartridge before cleaning. Otherwise unintentional blade rotation may cause serious injury.
- If the cutting tool hits stones or other hard objects, immediately switch off the motor and inspect the cutting tool.
- Check the cutting tool frequently during operation for cracks or damages. Before the inspection, switch off the motor and wait until the cutting tool stops completely. Replace damaged cutting tool immediately, even if it has only superficial cracks.
- Never cut above waist height.
- Before starting the cutting operation, wait until the cutting tool reaches a constant speed after pulling the trigger.
- Always be sure of your footing on slopes.
- Walk, never run.
- Use extreme caution when reversing or pulling the edger toward you.
- Make sure the blade has stopped before crossing surfaces other than grass and when transporting the edger to and from the area to be edged.
- Stop the engine whenever you leave the edger.

Cutting tools

- Never use inappropriate blades including metal multi-piece pivoting chains and flail blades. It may result in serious injury.
- Always use the cutting tool guard properly suited for the cutting tool used.

Vibration

- People with poor circulation who are exposed to excessive vibration may experience injury to blood vessels or the nervous system. Vibration may cause the following symptoms to occur in the fingers, hands or wrists: "Falling asleep" (numbness), tingling, pain, stabbing sensation, alteration of skin color or of the skin. If any of these symptoms occur, see a physician!
- To reduce the risk of "white finger disease", keep your hands

warm during operation and well maintain the equipment and accessories.

Transport

- Before transporting the equipment, switch off the motor and remove the spark plug cap or battery cartridge. Remove the cutting tool.
- When transporting the equipment, carry it in a horizontal position by holding the shaft. Keep the hot muffler away from your body.
- When transporting the equipment in a vehicle, properly secure it to avoid turnover. Otherwise fuel spillage and damage to the equipment and other baggage may result.


Maintenance

- Have your equipment serviced by our authorized service center, always using only genuine replacement parts. Incorrect repair and poor maintenance can shorten the life of the equipment and increase the risk of accidents.
- Before doing any maintenance or repair work or cleaning the equipment, always switch off the motor and remove the spark plug cap or the battery cartridge. Wait until the motor gets cold.
- To reduce the risk of fire, never service the equipment in the vicinity of fire.
- Always wear protective gloves when handling the cutting blade.
- Always clean dust and dirt off the equipment. Never use gasoline, benzine, thinner, alcohol or the like for the purpose. Discoloration, deformation or cracks of the plastic components may result.
- After each use, tighten all screws and nuts, except for the carburetor adjustment screws.
- Do not attempt any maintenance or repair not described in this booklet or the instruction manual of the power unit. Ask Makita authorized service center for such work.
- Always use Makita genuine spare parts and accessories only. Using parts or accessories supplied by a third party may result in the equipment breakdown, property damage and/or serious injury.
- Request Makita authorized service center to inspect and maintain the equipment at regular interval.

Storage

- Before storing the equipment, perform full cleaning and maintenance. Remove the spark plug cap or the battery cartridge. Drain the fuel after the engine gets cold. Remove the cutting tool.
- If the fuel tank has to be drained, do this outdoors.
- Store the equipment in a dry and high or locked location out of reach of children.
- Do not prop the equipment against something, such as a wall. Otherwise it may fall suddenly and cause an injury.

First aid

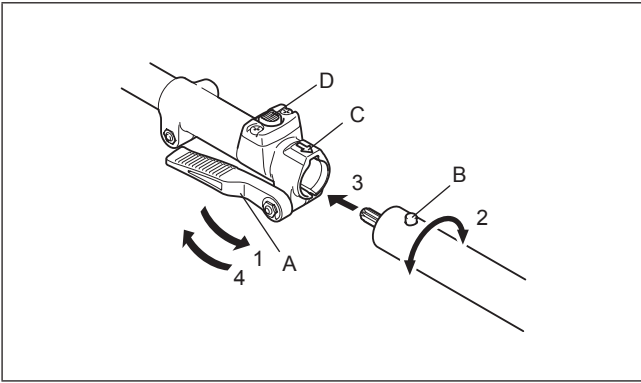
-  Always have a first-aid kit close by. Immediately replace any item taken from the first aid kit.
- When asking for help, give the following information:
 - Place of the accident
 - What happened
 - Number of injured persons
 - Nature of the injury
 - Your name

Assembly and adjustment

WARNING:

- Before assembling or adjusting the equipment, switch off the motor and remove the spark plug cap or battery cartridge. Otherwise the cutting tool or other parts may move and result in serious injury.
- Before handling cutting blade, wear protective gloves. During the assembly or adjustment, your fingers may contact with the cutting blade and it may cause serious injury.
- When assembling or adjusting the equipment, always put it down. Assembling or adjusting the equipment in an upright position may result in serious injury.
- Follow the warnings and precautions in the chapter "Safety precautions" and the instruction manual of the power unit.

Mounting the attachment to a power unit

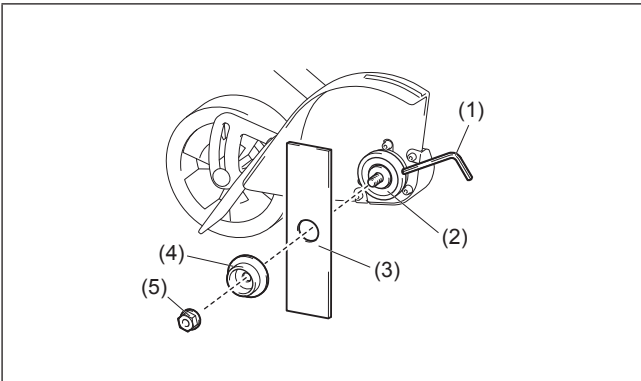


- To mount the attachment to a power unit, follow the steps below.
1. Make sure that the lock lever (A) is not tightened.
 2. Align the pin (B) with the arrow mark (C).
 3. Insert the shaft into the drive shaft of the power unit until the release button (D) pops up.
 4. Tighten the lock lever (A) firmly as shown.

To remove the attachment, loosen the lock lever, press the lock button and withdraw the shaft.

NOTICE: Do not tighten the lock lever (A) without the shaft of the attachment inserted. Otherwise the lock lever may tighten the entrance of the drive shaft too much and damage it.

Installing and removing the blade



1. Turn the receive washer (2) so that the hole on the receive washer aligns with the hole on the gear case.
2. Insert the hex wrench (1) through the holes. Make sure the receive washer does not turn.
3. Holding the hex wrench, turn the nut (5) clockwise with using a socket wrench.
4. Remove the nut and the clamp (4).
5. Place the blade (3).
6. Return the clamp and the nut.
7. Holding the hex wrench, turn the nut counterclockwise to fasten the blade.

To remove the blade, perform the above steps in reverse.

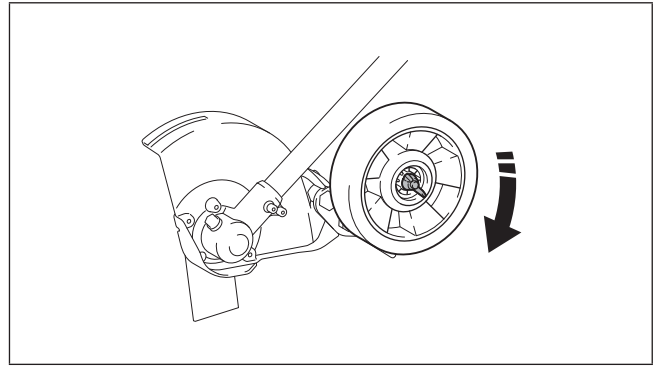
NOTE: The cutter blade-fastening nut (with spring washer) wears out in course of time. If there appears any wear or deformation on the nut, replace it.

Operation

⚠ WARNING:

- If the cutting tool moves at idle, adjust the idle speed of the engine down. Otherwise you cannot stop the cutting tool by throttle off and it may cause serious injury.
- Follow the warnings and precautions in the chapter "Safety precautions" and the instruction manual of the power unit.

Adjusting the blade depth



- Loosen the nut on the wheel.
- Move the wheel and adjust the height according to the operation, then tighten the nut.

Operation tips

- Before edging, water the area to soften the ground and make edging easier.
- Before edging, check the area and remove all obstacles and objects that could be thrown.
- Plan to edge regularly to make it easier to keep a neat edge and to avoid having to make more than one pass.

NOTE:

Blade depth may have to be adjusted due to differences in height between the hard surface and the top of the grass.

- Adjust the blades' depth of cut to produce a fine cut between sidewalk and grass using a minimum blade depth, usually with about 13 mm (1/2") of the blade into the ground.

Inspection and maintenance

⚠ WARNING:

- Before inspecting or maintaining the equipment, switch off the motor and remove the spark plug cap or battery cartridge. Otherwise the cutting tool or other parts may move and result in serious injury.
- When inspecting or maintaining the equipment, always put it down. Assembling or adjusting the equipment in an upright position may result in serious injury.
- Follow the warnings and precautions in the chapter "Safety precautions" and the instruction manual of the power unit.

Resharpener the cutting tool

⚠ WARNING:

Do not sharpen cutting blades by yourself. Manual sharpening unbalances a cutting blade and it can cause vibrations and damage to the equipment.

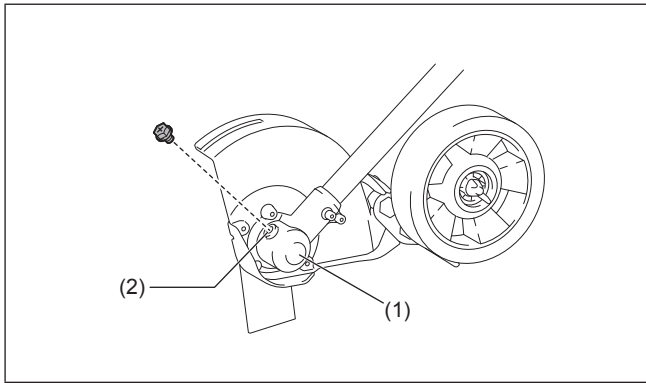
Ask Makita authorized service center to sharpen and rebalance blunt cutter blades.

Lubricating moving parts

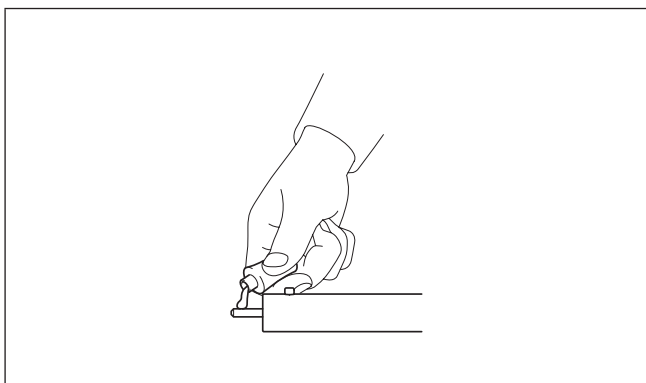
NOTICE: Follow the instruction of the frequency and amount of grease supplied. Otherwise insufficient lubrication may damage moving parts.

Gear case:

Supply grease (Shell Alvania 2 or equivalent) to the gear case (1) through the grease hole (2) every 30 hours of operation. (Genuine Makita grease may be purchased from your local Makita dealer.)



Drive axle:
Supply grease (Shell Alvania No.2 or equivalent) every 30 hours of operation.



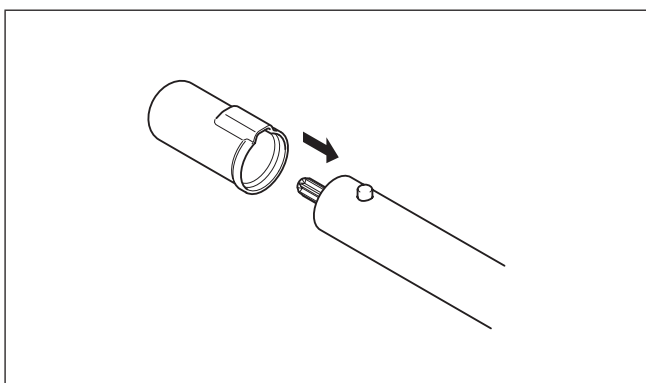
Overall inspection

- Tighten loose bolts, nuts and screws.
- Check for damaged parts. Ask Makita authorized service center to replace them.

Storage

⚠ WARNING:

Follow the warnings and precautions in the chapter "Safety precautions" and the instruction manual of the power unit.



When storing the edger attachment separated from the power unit, put the cap onto the end of the shaft.

Maintenance schedule

Operating hour		Before Operation	Daily (10h)	30h	If required	Corresponding page
Whole unit	Visually inspect for damaged parts	○				7
All fixing screws and nuts	Tighten	○				7
Gear case	Supply grease			○		6
Drive axle	Supply grease			○		7
Cutter blade	Visually inspect for damage	○	○			6
Power unit	Refer to the instruction manual of the power unit					

Troubleshooting

Problem	Probable cause	Solution
The engine does not start.	Refer to the instruction manual of the power unit.	
The engine stops soon after its start.		
The maximum speed is limited.		
The cutting tool does not rotate. → Stop the motor immediately!	The cutting blade is not tightened securely.	Tighten the cutting blade securely.
	A twig is caught between the cutting blade and the protector.	Remove the foreign matter.
	The drive system does not work properly.	Ask Makita authorized service center to inspect and repair it.
The unit vibrates abnormally. → Stop the motor immediately!	The cutting blade is bent, worn or broken.	Replace the cutting blade with new one.
	The cutting blade is not tightened securely.	Tighten the cutting blade securely.
	The cutting blade is not fitted on the receive washer.	Install the cutting blade properly.
	The drive system does not work properly.	Ask Makita authorized service center to inspect and repair it.
The cutting tool does not stop. → Stop the motor immediately!	The power unit does not work properly.	Refer to the instruction manual of the power unit.

Technical Data

Model	EE400MP	
Dimensions (L x W x H)	mm (inch)	878 x 131 x 291 (34-1/2" x 5-1/8" x 11-1/2")
Net weight (Not including protector and blade)	kg (lbs)	2.4 (5.4)
Cutting blade diameter	mm (inch)	203 (8")
Gear ratio	14/29	

Contenu

	Page
Contenu	9
Avant-propos	9
Pictogrammes	9
Groupe moteur homologué.....	10
Description des pièces	10
Précautions de sécurité	10
Montage et réglage.....	13
Fonctionnement.....	13
Inspection et entretien	14
Entreposage	14
Programme d'entretien	15
Dépannage	15
Données techniques.....	15

Avant-propos

Merci d'avoir acheté la tête dresse-bordures Makita. Cette tête est conçue pour être montée sur le groupe moteur Makita mentionné dans ce manuel d'instructions.

Avant toute utilisation, veuillez lire ce mode d'emploi et le manuel d'instructions du groupe moteur. Ils vous permettront d'obtenir le meilleur de votre tête dresse-bordures Makita.

Pictogrammes

Les pictogrammes suivants sont apposés sur la tête et figurent dans ce manuel d'instructions. Comprenez bien ces définitions.



Faites particulièrement attention.



Lisez le manuel d'instructions.



Zone de travail interdite aux individus



Portez des protections oculaire et auditive.



Portez des gants de protection.



Portez des chaussures solides avec semelle antidérapante. Il est conseillé de porter des chaussures avec embout de sécurité.



Interdit!



Premiers soins

Groupe moteur homologué

Cette tête est homologuée pour fonctionner uniquement avec le(s) groupe(s) moteur suivant(s) :

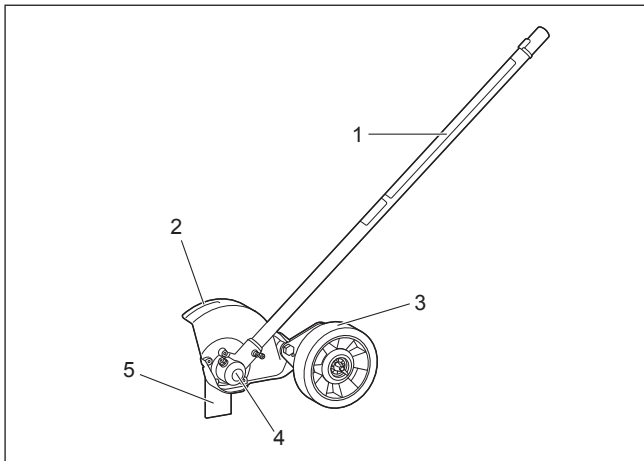
EX2650LH Outil Multi-Fonctions
BUX360, BUX361, BUX362, UX360D, UX361D, UX362D
Moteur Multi-Fonctions Sans Fil

Pour les pays autres que les États-Unis et le Canada uniquement :
DUX60 Moteur Multi-Fonctions Sans Fil

⚠ AVERTISSEMENT :

N'utilisez jamais la tête avec un groupe moteur non homologué. Une combinaison non homologuée peut entraîner des blessures graves.

Description des pièces



Les numéros ci-dessous se rapportent à l'illustration.

1. Axe
2. Protège-lame
3. Roue
4. Carter d'engrenage
5. Lame

Précautions de sécurité

⚠ AVERTISSEMENT :

Veillez lire toutes les précautions de sécurité ainsi que les instructions contenues dans ce mode d'emploi et le manuel d'instructions du groupe moteur. L'ignorance des avertissements et des instructions comporte un risque d'électrocution, d'incendie et/ou de blessure grave.

Conservez-les pour les consulter ultérieurement.

Les termes « dresse-bordures » et « équipement » dans les avertissements et les précautions font référence à la combinaison de la tête et du groupe moteur.

Le terme « moteur » dans les avertissements et les précautions se rapporte au moteur ou au moteur électrique du groupe moteur.

CONSIGNES DE SÉCURITÉ IMPORTANTES

DANGER – Lorsque vous utilisez le dresse-bordures, respectez les précautions de base suivantes :

- a) **LISEZ ET RESPECTEZ TOUTES LES INSTRUCTIONS** – Lisez attentivement le manuel d'instructions. Maîtrisez les boutons de commande et l'utilisation de l'équipement. Apprenez comment arrêter le moteur et désengager les commandes rapidement.
- b) **PORTEZ DES VÊTEMENTS APPROPRIÉS** – Portez des lunettes de protection. Ne portez ni vêtements amples ni bijoux. Ils pourraient être happés par les pièces mobiles. L'utilisation de gants solides et de chaussures de sécurité est recommandée.
- c) **RESTEZ VIGILANT** – Regardez ce que vous faites, faites preuve de bon sens. N'utilisez pas le produit lorsque vous êtes fatigué ou après avoir consommé de l'alcool ou de la drogue.

- d) **ATTENTION** – Pour réduire le risque d'incendie, refermez correctement le bouchon du réservoir d'essence.
- e) **DANGER – OUTIL DE COUPE TOURNANT** –
 - Tenez les deux mains sur les poignées lorsque la lame tourne.
 - Éloignez vos pieds de la zone de coupe.
 - Ne tentez pas de retirer ce qui a été coupé ou de tenir ce qui va l'être lorsque le moteur est en marche ou lorsque l'outil de coupe est en mouvement.
 - Veillez à ce que la bougie d'allumage soit débranchée lorsque vous retirez les éléments coincés dans l'outil de coupe.
 - **ATTENTION** – L'outil de coupe tourne en roue libre après la mise hors tension.
- f) **NE LAISSEZ PERSONNE ENTRER DANS LA ZONE DE TRAVAIL** – Zone de travail interdite à toute personne, en particulier aux jeunes enfants et aux animaux.
- g) **UTILISEZ LE DRESSE-BORDURES CORRECTEMENT** – Utilisez l'outil uniquement pour tailler les arbrisseaux, les pousses, etc. décrits dans le manuel d'instructions. N'utilisez pas le produit de manière abusive. Ne l'utilisez pas sous la pluie ou dans des endroits mouillés. Ne laissez jamais un enfant faire fonctionner le produit. Ne laissez jamais un adulte faire fonctionner le produit sans instruction correcte.
- h) **NE VISEZ PAS TROP HAUT, NE VOUS TENEZ PAS SUR UN SUPPORT INSTABLE** – Veillez à ne pas perdre l'équilibre.
- i) **DÉBRANCHEZ LE FIL DE LA BOUGIE D'ALLUMAGE** –
 - Lorsque l'outil n'est pas utilisé.
 - Avant l'entretien, le nettoyage, etc.
 - Avant de changer des accessoires.
- j) **ENTRETIENEZ LE PRODUIT AVEC SOIN** –
 - Suivez les instructions d'entretien données dans le manuel.
 - Pour réduire le risque d'incendie, évitez qu'une quantité excessive d'herbe, de feuilles ou de graisse s'accumule sur le produit.
- k) **ENTREPOSEZ LE PRODUIT À L'INTÉRIEUR** – Lorsqu'il n'est pas utilisé, entreposez le produit à l'intérieur, dans un endroit sec, fermé à clé, hors de portée des enfants.
- l) **N'ESSAYEZ PAS DE RÉPARER LE PRODUIT** –
 - Demandez à un vendeur ou un réparateur qualifié de procéder aux réparations.
 - Veillez à ce que des pièces de rechange identiques soient utilisées.

Instructions concernant un risque d'incendie ou les blessures aux personnes

- a) Ne faites pas fonctionner le produit si vous êtes pieds nus ou si vous portez des sandales ouvertes. Portez toujours des chaussures de sécurité et un pantalon recouvrant vos jambes.
- b) N'utilisez pas le produit sur des surfaces gravillonnées.
- c) Ne faites jamais fonctionner le produit sans visibilité ni lumière.
- d) Démarrez le moteur avec précaution. Assurez-vous que tous les accessoires sont désengagés avant d'essayer de démarrer. Éloignez vos mains, vos pieds et vos vêtements de l'outil de coupe et des pièces mobiles.
- e) N'essayez jamais d'effectuer des réglages quand le moteur tourne (sauf en cas de recommandation spécifique du fabricant).
- f) Ne dirigez pas l'axe d'éjection vers les personnes à proximité. Ne laissez personne rester près de la zone de travail. Veillez à ne pas diriger l'axe d'éjection vers des vitrines, des automobiles et autres objets similaires.
- g) Faites attention aux trottoirs accidentés, aux trous dans le sol et autres conditions similaires lorsque vous utilisez le produit. Exercez toujours une légère pression sur un terrain accidenté.
- h) Des objets frappés par l'outil de coupe peuvent causer de graves blessures aux personnes se trouvant à proximité. La pelouse doit toujours être examinée attentivement et débarrassée de tout objet avant la taille des bordures.
- i) Si le produit heurte un objet, suivez ces étapes :
 - 1) Arrêtez le produit.
 - 2) Débranchez le fil de la bougie d'allumage.
 - 3) Vérifiez s'il y a des dommages.
 - 4) Réparez tout dommage avant de redémarrer et d'utiliser le produit.
- j) Désengagez l'outil de coupe lorsque le produit est transporté ou non utilisé.
- k) Prenez toutes les précautions possibles lorsque vous laissez le produit sans surveillance. Désengagez les accessoires et arrêtez le moteur.
- l) Lors du nettoyage, des réparations ou de l'inspection,

assurez-vous que l'outil de coupe et toutes les pièces mobiles sont arrêtés. Retirez la batterie, ou débranchez le fil de la bougie d'allumage, et éloignez le fil de la bougie pour éviter tout démarrage accidentel.

- m) Ne faites jamais fonctionner le produit sans dispositif de protection, plaque ou autre en place.
- n) N'utilisez que les accessoires et les pièces fournis ou spécifiquement recommandés pour le produit.
- o) N'utilisez pas le produit avec un outil de coupe endommagé ou très usé.

Utilisation normale

- Cet équipement est conçu uniquement pour la taille de bordures de pelouse avec un groupe moteur homologué. N'utilisez jamais la tête à d'autres fins. Toute utilisation inadéquate de la tête peut entraîner des blessures graves.

Précautions élémentaires

- Avant de démarrer l'équipement, veuillez lire ce mode d'emploi et le manuel d'instructions du groupe moteur pour vous familiariser avec la manipulation de l'équipement.
- Ne prêtez pas la tête à une personne ne maîtrisant pas suffisamment l'équipement ou ne sachant pas le manipuler.
- Lorsque vous prêtez la tête, joignez toujours ce manuel d'instructions.
- Ne laissez pas des enfants ou des personnes de moins de 18 ans utiliser l'équipement. Tenez-les à l'écart de l'équipement.
- Manipulez l'équipement avec le maximum de soin et d'attention.
- N'utilisez jamais l'équipement après avoir consommé de l'alcool ou de la drogue, ou encore si vous vous sentez fatigué ou malade.
- N'oubliez pas que l'opérateur ou l'utilisateur est responsable en cas d'accident ou de dommages causés à d'autres personnes ou à leurs biens.
- N'essayez jamais de modifier la tête.
- Respectez les réglementations en vigueur dans votre pays concernant la manipulation de l'équipement.
- Les dispositifs de protection doivent être en place et fonctionnels.
- Les lames doivent toujours être bien aiguisées.
- N'approchez pas les mains ou les pieds de la zone de coupe.

Équipement de protection personnel

- Portez un casque de sécurité, des lunettes et des gants de protection pour vous protéger des projections ou chutes d'objets.



- Portez une protection auditive comme un casque anti-bruit pour éviter toute perte d'audition.
- Portez une tenue et des chaussures adaptées, comme une combinaison et des chaussures solides avec semelle antidérapante. Ne portez ni vêtements amples ni bijoux. Des vêtements amples, des bijoux ou de longs cheveux peuvent se prendre dans les pièces mobiles.
- Portez des gants de protection lorsque vous touchez les lames. Vous pouvez vous blesser sérieusement en manipulant les lames à mains nues.

Sécurité de la zone de travail

- N'utilisez l'équipement qu'avec une bonne visibilité et en plein jour. N'utilisez pas l'équipement dans l'obscurité ou le brouillard.
- Démarrez et faites tourner le moteur uniquement à l'extérieur dans un endroit bien aéré. Le fonctionnement du moteur dans un espace confiné ou mal aéré peut entraîner la mort par asphyxie ou par intoxication au monoxyde de carbone.

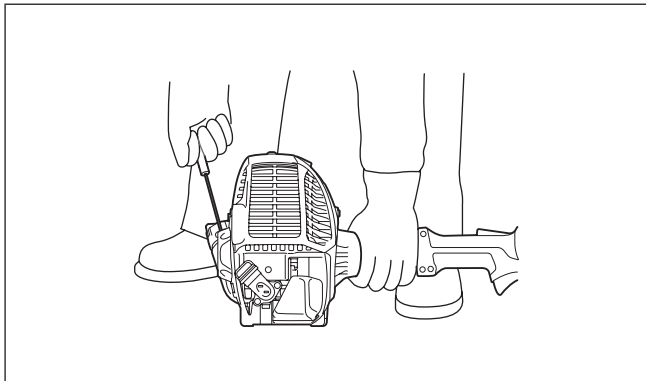
- Pendant l'utilisation, ne vous positionnez pas sur une surface instable ou glissante ou sur un sol en pente. En hiver, faites attention à la glace et à la neige et veillez toujours à maintenir votre équilibre.
- Pendant l'utilisation, tenez tout individu ou animal à au moins 15 m de l'équipement. Coupez le moteur dès que quelqu'un s'approche.
- Avant l'utilisation, voyez s'il y a des pierres ou autres objets solides dans la zone de travail. Ils peuvent être projetés ou causer un mouvement de recul dangereux et provoquer ainsi des blessures graves et/ou des dégâts matériels.
- **⚠ AVERTISSEMENT** : L'utilisation de ce produit peut provoquer de la poussière contenant des produits chimiques pouvant causer des maladies respiratoires entre autres. Les composants des pesticides, insecticides, engrais et herbicides sont des exemples de ces produits chimiques. Le risque dû à ces expositions varie selon la fréquence à laquelle vous effectuez ce type de travail. Pour réduire les risques liés à l'exposition à ces produits chimiques : travaillez dans un espace bien aéré et portez des dispositifs de sécurité homologués, tels que des masques antipoussières spécialement conçus pour filtrer les particules microscopiques.

Utilisation de l'appareil

- Avant d'assembler ou de régler l'équipement, coupez le moteur et retirez le capuchon de la bougie d'allumage ou la batterie.
- Portez des gants de protection avant de manipuler la lame de coupe.
- Avant de démarrer le moteur, inspectez l'équipement pour détecter d'éventuels dommages, des vis/écrous desserré(e)s ou un montage incorrect. Si lame de coupe est tordue ou endommagée, remplacez-la. Vérifiez le bon fonctionnement de tous les leviers et commutateurs de commande. Nettoyez et séchez les poignées.
- N'essayez jamais de démarrer le moteur si l'équipement est endommagé ou pas entièrement assemblé. Vous risqueriez de vous blesser grièvement.
- Ajustez le harnais et la poignée à votre taille.
- Vérifiez s'il y a des pièces endommagées - Avant de réutiliser un outil dont le protecteur ou toute autre pièce a été endommagé(e), vérifiez soigneusement que la tête est bien réparée et remplira correctement la fonction pour laquelle elle a été prévue. Vérifiez tous les éléments pouvant affecter le bon fonctionnement de l'appareil : l'alignement des pièces en mouvement, l'absence de grippage ou de pièces fissurées, le montage des pièces, etc. Toute pièce endommagée (protecteur, etc.) doit être correctement réparée ou remplacée par un centre de service après-vente agréé, à moins d'indication contraire dans le présent mode d'emploi.

Démarrage du moteur

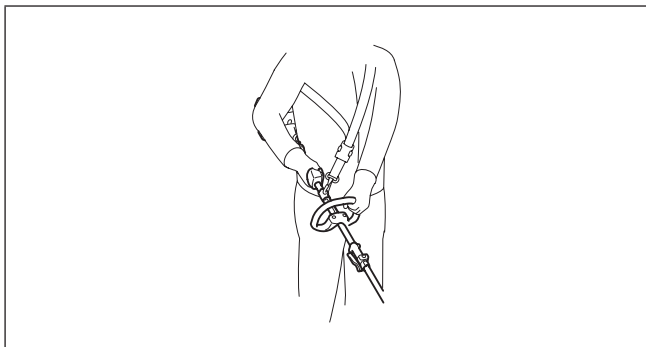
- Mettez l'équipement personnel avant de démarrer le moteur.
- Démarrez le moteur à au moins 3 mètres (10 pieds) du lieu de remplissage du carburant.
- Avant de démarrer le moteur, veillez à ce qu'il n'y ait aucun individu ni animal dans la zone de travail.
- Lorsque vous démarrez le moteur ou placez la batterie, éloignez l'outil de coupe de votre corps et de tout autre objet, y compris du sol. Il peut se mettre en mouvement dès le démarrage et occasionner des blessures, endommager l'équipement et/ou entraîner des dégâts matériels.
- Placez l'équipement sur un sol dur. Veillez à ne pas perdre l'équilibre.
- Lorsque vous tirez la poignée de démarrage, maintenez fermement le groupe moteur contre le sol avec la main gauche. Ne marchez pas sur l'arbre d'entraînement du groupe moteur.



- Suivez le manuel d'instructions du groupe moteur pour le démarrage du moteur.
- Si l'outil de coupe tourne au ralenti, coupez le moteur et abaissez la vitesse de ralenti.

Fonctionnement

- Ne changez pas les réglages du limiteur de régime ou la survitesse du moteur.
- Si le produit vibre de façon anormale, arrêtez immédiatement le moteur et recherchez la cause. La vibration est généralement un signe d'anomalie.
- Arrêtez le moteur dès que vous quittez votre position de travail; retirez la batterie ou débranchez le fil de la bougie d'allumage avant de désobstruer le dispositif de protection de l'outil de coupe, ou lorsque vous procédez à une réparation, un réglage ou une inspection.
- Faites fonctionner le produit de sorte que les dispositifs de protection vous empêchent de voir l'outil de coupe.
- En cas d'urgence, coupez immédiatement le moteur.
- Si vous percevez quoi que ce soit d'anormal (bruit, vibrations, etc.) en cours d'utilisation, coupez le moteur. N'utilisez plus l'équipement avant d'avoir trouvé et résolu le problème.
- L'outil de coupe continue à tourner un bref instant après que vous avez relâché la commande d'accélérateur ou coupé le moteur. Ne vous précipitez pas pour toucher l'outil de coupe.
- Lorsque le moteur tourne uniquement au ralenti, fixez le harnais.
- Pendant la manipulation de l'équipement, utilisez le harnais. Maintenez fermement l'équipement sur le côté droit.



- Saisissez la poignée avant avec la main gauche et la poignée arrière avec la main droite, peu importe que vous soyez droitier ou gaucher. Enserrez bien les poignées avec les doigts.
- N'essayez jamais de faire fonctionner l'équipement avec une seule main. Si vous en perdez le contrôle, vous risquez de vous blesser ou de trouver la mort. Pour limiter tout risque de blessure, éloignez les mains et les pieds de l'outil de coupe.
- Ne visez pas trop haut. Maintenez en permanence un équilibre stable. Faites attention aux obstacles cachés tels que les souches d'arbres, les racines et les fossés, afin de ne pas trébucher.
- Ne vous positionnez jamais sur une échelle ou dans un arbre afin de ne pas perdre le contrôle.
- Si l'équipement tombe ou heurte violemment une surface, vérifiez son état avant de poursuivre l'utilisation. Recherchez une éventuelle fuite du système d'alimentation et un éventuel dysfonctionnement des dispositifs de commande et de sécurité. En cas de dommage avéré ou suspecté, adressez-vous à un centre de services agréé Makita pour une inspection et une réparation.

- Ne touchez pas le carter d'engrenage. Il devient chaud pendant le fonctionnement.
- Faites des pauses afin de ne pas perdre le contrôle à cause de la fatigue. Nous vous recommandons de vous reposer 10 à 20 minutes toutes les heures.
- Lorsque vous laissez l'équipement, même un court instant, coupez toujours le moteur ou retirez la batterie. Un équipement laissé sans surveillance avec le moteur allumé peut être utilisé par n'importe qui et occasionner un grave accident.
- Suivez le manuel d'instructions du groupe moteur pour une utilisation correcte du levier et du commutateur de commande.
- Pendant ou après l'utilisation, ne posez pas l'équipement sur des herbes sèches ou des matières combustibles.
- Si de l'herbe ou des branches sont coincées entre l'outil de coupe et le dispositif de protection, coupez toujours le moteur et retirez le capuchon de la bougie d'allumage ou la batterie avant de procéder au nettoyage. Si vous ne le faites pas, une rotation accidentelle de la lame peut entraîner des blessures graves.
- Si l'outil de coupe heurte des pierres ou des objets durs, coupez immédiatement le moteur et inspectez l'outil de coupe.
- Vérifiez régulièrement l'outil de coupe en cours d'utilisation pour vous assurer qu'il n'est pas fissuré ou endommagé. Avant toute inspection, coupez le moteur et attendez que l'outil de coupe s'arrête complètement. Remplacez immédiatement un outil de coupe endommagé, même s'il ne présente que des fissures superficielles.
- Ne réalisez jamais de coupe en tenant la machine plus haut que votre taille.
- Avant de commencer la coupe, attendez que l'outil de coupe atteigne une vitesse constante après avoir tiré la commande d'accélérateur.
- Adoptez toujours une position stable quand vous êtes sur une pente.
- Marchez, ne courez jamais.
- Soyez extrêmement prudent lorsque vous retournez ou tirez le dresse-bordures vers vous.
- Assurez-vous que la lame s'est arrêtée avant de traverser des surfaces non herbeuses et lorsque vous transportez le dresse-bordures depuis ou vers une zone à tailler.
- Arrêtez le moteur dès que vous vous éloignez le dresse-bordures.

Outils de coupe

- N'utilisez jamais des lames inappropriées, y compris les chaînes multiples pivotantes métalliques et les lames à fléaux. Ces accessoires peuvent causer de graves blessures.
- Utilisez toujours le dispositif de protection qui convient à l'outil de coupe utilisé.

Vibrations

- Des détériorations au niveau des vaisseaux sanguins ou du système nerveux peuvent se produire chez des personnes souffrant de troubles circulatoires et trop souvent soumises à des vibrations. Les symptômes pouvant apparaître à la suite de vibrations au niveau des doigts, des mains ou des articulations sont les suivants : « engourdissement » des membres, chatouillements, douleurs, douleur vive, altération de la peau (notamment, le changement de couleur). Si ces symptômes apparaissent, consultez un médecin!
- Pour éviter le phénomène du « doigt mort », assurez-vous de garder vos mains au chaud durant l'utilisation de l'outil et de préserver le bon état de l'outil et de ses accessoires.

Transport

- Avant de transporter l'équipement, coupez le moteur et retirez le capuchon de la bougie d'allumage ou la batterie. Retirez l'outil de coupe.
- Transportez l'équipement à l'horizontale en le tenant par l'axe. Éloignez le silencieux chaud de votre corps.
- Lorsque vous transportez l'équipement dans un véhicule, fixez-le solidement pour qu'il ne tombe pas. Dans le cas contraire, l'essence pourrait se renverser et endommager l'équipement et autres bagages.

Entretien

- Faites réparer votre équipement par nos centres de service agréés, qui n'utilisent que des pièces de rechange d'origine. Des réparations mal exécutées et un mauvais entretien peuvent réduire la durée utile de l'équipement et accroître les risques


d'accident.

- Avant tout entretien, réparation ou nettoyage, coupez toujours le moteur et retirez le capuchon de la bougie d'allumage ou la batterie. Laissez le moteur refroidir.
- Pour limiter le risque d'incendie, ne réparez jamais l'équipement à proximité d'un feu.
- Portez toujours des gants de protection lorsque vous manipulez la lame de coupe.
- Ôtez la poussière et les saletés de l'équipement. N'utilisez jamais d'essence, de benzine, de solvant, d'alcool ou tout autre produit similaire pour cela. Cela pourrait décolorer, déformer ou craqueler les composants en plastique.
- Après chaque utilisation, serrez toutes les vis et les écrous, sauf les vis de réglage du carburateur.
- Ne tentez jamais un entretien ou une réparation qui ne figure pas dans ce mode d'emploi ou le manuel d'instructions du groupe moteur. Adressez-vous à un centre de services agréé Makita pour cela.
- Utilisez exclusivement des pièces de rechange et accessoires Makita d'origine. L'utilisation de pièces de rechange et accessoires d'un fabricant tiers peut entraîner une panne de l'équipement, des dégâts matériels et/ou des blessures graves.
- Adressez-vous à un centre de services agréé Makita pour une inspection et un entretien de l'équipement à intervalles réguliers.

Entreposage

- Avant d'entreposer l'équipement, procédez à un nettoyage et un entretien complets. Retirez le capuchon de la bougie d'allumage ou la batterie. Vidangez l'essence une fois le moteur refroidi. Retirez l'outil de coupe.
- Si le réservoir d'essence doit être vidangé, faites-le à l'extérieur.
- Entrez l'équipement dans un endroit sec et en hauteur ou dans une pièce fermée à clé, hors de portée des enfants.
- N'appuyez pas l'équipement contre quelque chose, comme un mur. Il pourrait tomber soudainement et provoquer des blessures.

Premiers soins

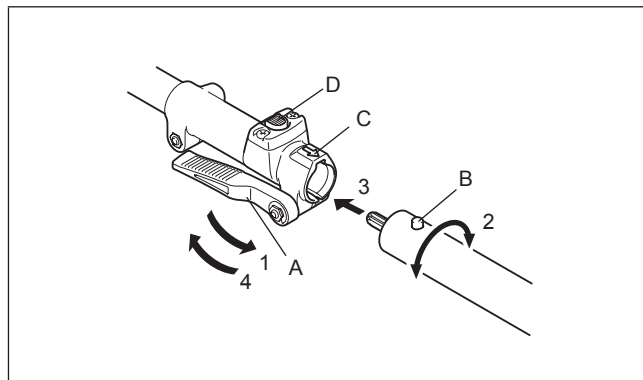
-  Vous devez toujours avoir une trousse de premiers soins à portée de main. Remplacez sans délai tout article utilisé dans la trousse de premiers soins.
- Si vous contactez les secours, veuillez indiquer :
 - le lieu de l'accident
 - les conditions de l'accident
 - le nombre de personnes blessées
 - la nature des blessures
 - votre nom

Montage et réglage

AVERTISSEMENT :

- Avant d'assembler ou de régler l'équipement, coupez le moteur et retirez le capuchon de la bougie d'allumage ou la batterie. Sinon, l'outil de coupe ou d'autres pièces pourraient se mettre en mouvement et occasionner de graves blessures.
- Portez des gants de protection avant de manipuler la lame de coupe. Pendant le montage ou le réglage, vous pourriez vous blesser grièvement si vos doigts touchaient la lame de coupe.
- Lorsque vous assemblez ou réglez l'équipement, posez-le toujours sur le sol. Le montage ou le réglage de l'équipement en position verticale peut entraîner de graves blessures.
- Respectez les avertissements et précautions figurant dans le chapitre « Précautions de sécurité » et le manuel d'instructions du groupe moteur.

Montage de la tête sur un groupe moteur

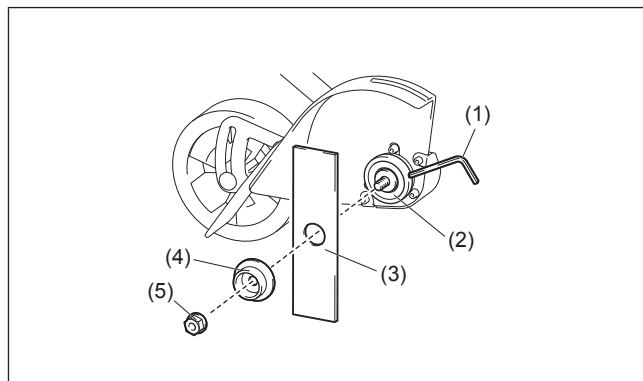


Pour monter la tête sur un groupe moteur, suivez les étapes ci-dessous.

1. Veillez à ce que le levier de verrouillage (A) soit desserré.
2. Alignez la broche (B) avec la flèche (C).
3. Insérez l'axe dans l'arbre d'entraînement du groupe moteur jusqu'à ce que le bouton de déverrouillage (D) sorte.
4. Serrez à fond le levier de verrouillage (A) comme illustré. Pour retirer la tête, desserrez le levier de verrouillage, appuyez sur le bouton de verrouillage et tirez l'axe.

REMARQUE : Ne serrez pas le levier de verrouillage (A) sans que l'axe de la tête ne soit inséré. Sinon, le levier de verrouillage pourrait trop serrer l'entrée de l'arbre d'entraînement et l'endommager.

Installation et dépose de la lame



1. Tournez la rondelle d'appui (2) pour que son trou soit aligné avec le trou sur le carter d'engrenage.
2. Insérez la clé hexagonale (1) à travers les trous. Assurez-vous que la rondelle d'appui ne tourne pas.
3. En tenant la clé hexagonale, tournez l'écrou dans le sens des aiguilles d'une montre à l'aide d'une clé à douille.
4. Retirez l'écrou et l'attache (4).
5. Placez la lame (3).
6. Remplacez l'attache et l'écrou.
7. En tenant la clé hexagonale, tournez l'écrou dans le sens inverse des aiguilles d'une montre pour attacher la lame.

Pour déposer la lame, exécutez les étapes ci-dessus à l'envers.

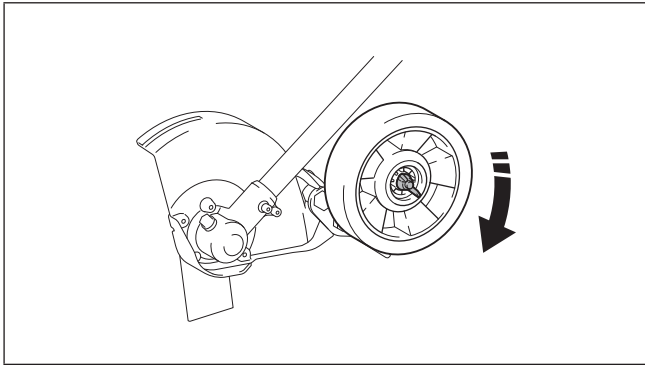
REMARQUE : L'écrou de fixation de la lame de coupe (avec rondelle frein) s'use avec le temps. En cas d'usure ou de déformation de l'écrou, remplacez-le.

Fonctionnement

AVERTISSEMENT :

- Si l'outil de coupe tourne au ralenti, abaissez la vitesse de ralenti du moteur. Sinon il vous sera impossible d'arrêter l'outil de coupe à l'aide du levier d'accélérateur et vous pourriez vous blesser grièvement.
- Respectez les avertissements et précautions figurant dans le chapitre « Précautions de sécurité » et le manuel d'instructions du groupe moteur.

Ajustement de la profondeur de la lame



- Desserrez l'écrou sur la roue.
- Tournez la roue et réglez la hauteur selon l'utilisation, puis serrez l'écrou.

Conseils d'utilisation

- Avant de tailler les bordures, arrosez la zone pour ramollir le terrain et faciliter la taille des bordures.
- Avant la taille des bordures, inspectez la zone et retirez tous les obstacles et les objets qui pourraient être projetés.
- Prévoyez de tailler les bordures régulièrement pour faciliter leur entretien et pour éviter d'avoir à faire plusieurs passages.

REMARQUE :

- La profondeur de la lame peut être réglée pour s'adapter aux différences de hauteur entre la surface dure et le haut de l'herbe.
- Ajustez la profondeur de coupe de la lame pour produire une coupe fine entre le trottoir et l'herbe en utilisant une profondeur de coupe minimale, en général environ 13 mm (1/2 po) de la lame dans le sol.

Inspection et entretien

⚠ AVERTISSEMENT :

- Avant d'inspecter ou d'entretenir l'équipement, coupez le moteur et retirez le capuchon de la bougie d'allumage ou la batterie. Sinon, l'outil de coupe ou d'autres pièces pourraient se mettre en mouvement et occasionner de graves blessures.
- Lorsque vous inspectez ou entretenez l'équipement, posez-le toujours sur le sol. Le montage ou le réglage de l'équipement en position verticale peut entraîner de graves blessures.
- Respectez les avertissements et précautions figurant dans le chapitre « Précautions de sécurité » et le manuel d'instructions du groupe moteur.

Réaffûtage de l'outil de coupe

⚠ AVERTISSEMENT :

Ne réaffutez pas vous-même les lames de coupe. Un réaffûtage manuel déséquilibre une lame de coupe et peut provoquer des vibrations et des dégâts à l'outil.

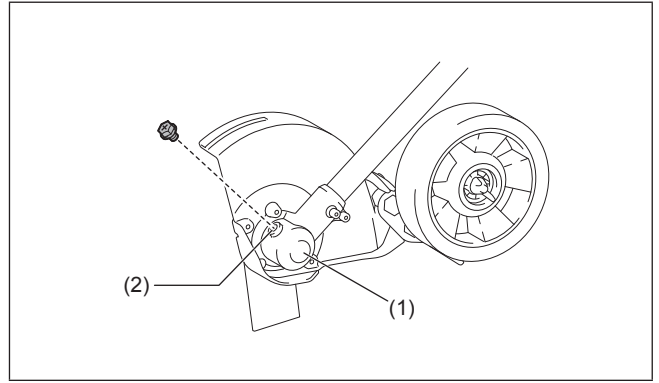
Demandez au centre de services agréé Makita de réaffûter et de rééquilibrer les lames de coupe.

Lubrification des pièces mobiles

REMARQUE : Respectez les instructions fournies sur la fréquence et la quantité de graisse. Sinon, une lubrification insuffisante peut endommager les pièces mobiles.

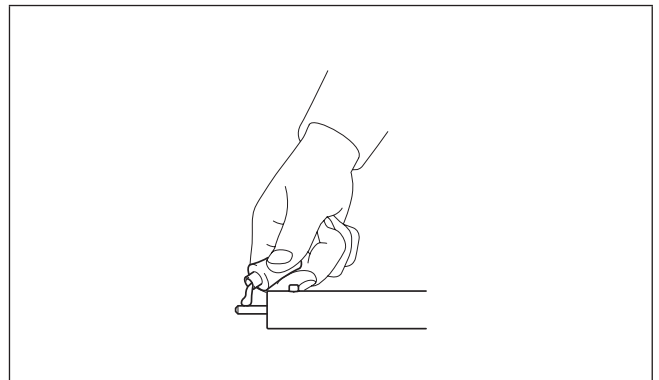
Carter d'engrenage :

Appliquez de la graisse (Shell Alvania 2 ou équivalent) sur le carter d'engrenage (1) par l'orifice de lubrification (2) toutes les 30 heures d'utilisation. (Le lubrifiant Makita est disponible auprès de votre vendeur Makita local.)



Arbre d'entraînement :

Appliquez de la graisse (Shell Alvania N 2 ou équivalent) toutes les 30 heures d'utilisation.



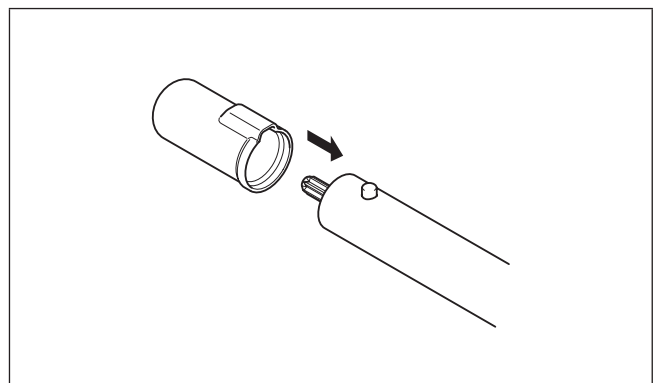
Inspection générale

- Serrez les boulons, écrous et vis desserrés.
- Vérifiez si des pièces sont endommagées. Adressez-vous à un centre de services agréé Makita pour les remplacer.

Entreposage

⚠ AVERTISSEMENT :

Respectez les avertissements et précautions figurant dans le chapitre « Précautions de sécurité » et le manuel d'instructions du groupe moteur.



Lorsque vous entreposez la tête dresse-bordures dépourvue de son groupe moteur, placez le cache à l'extrémité de l'axe.

Programme d'entretien

Heures d'utilisation		Avant utilisation	Tous les jours (10 h)	30 h	Au besoin	Page correspondante
Appareil tout entier	Vérifier visuellement si des pièces sont endommagées	○				14
Tous les écrous et vis de fixation	Serrer	○				14
Carter d'engrenage	Graisser			○		14
Arbre d'entraînement	Graisser			○		14
Lame de coupe	Vérifier visuellement s'il y a des dommages	○	○			14
Groupe moteur	Voir le manuel d'instructions du groupe moteur					

Dépannage

Problème	Cause probable	Solution
Le moteur ne démarre pas.	Voir le manuel d'instructions du groupe moteur.	
Le moteur s'arrête peu après le démarrage.		
La vitesse maximale est limitée.		
L'outil de coupe ne pivote pas. → Coupez le moteur immédiatement !	La lame de coupe n'est pas suffisamment serrée.	Bien serrer la lame de coupe.
	Une brindille est coincée entre la lame de coupe et le protecteur.	Retirer le corps étranger.
	Le système d'entraînement ne fonctionne pas correctement.	S'adresser à un centre de services agréé Makita pour une inspection et une réparation.
Le corps vibre de façon anormale. → Coupez le moteur immédiatement !	La lame de coupe est tordue, usée ou cassée.	Remplacer la lame de coupe.
	La lame de coupe n'est pas suffisamment serrée.	Bien serrer la lame de coupe.
	La lame de coupe n'est pas placée sur la rondelle d'appui.	Installez correctement la lame de coupe.
	Le système d'entraînement ne fonctionne pas correctement.	S'adresser à un centre de services agréé Makita pour une inspection et une réparation.
L'outil de coupe ne s'arrête pas. → Coupez le moteur immédiatement !	Le groupe moteur ne fonctionne pas correctement.	Voir le manuel d'instructions du groupe moteur.

Données techniques

Modèle	EE400MP	
Dimensions (L x P x H)	mm (pouce)	878 x 131 x 291 (34-1/2 po x 5-1/8 po x 11-1/2 po)
Poids net (sans le protecteur et la lame)	kg (livres)	2,4 (5,4)
Diamètre de la lame de coupe	mm (pouces)	203 (8")
Rapport de transmission	14/29	

Contenido

	Página
Contenido	16
Prefacio	16
Símbolos	16
Equipo motorizado aprobado	17
Descripción de la pieza	17
Medidas de seguridad	17
Ensamble y ajuste	20
Operación	20
Inspección y mantenimiento	21
Almacenamiento	21
Programa de mantenimiento	22
Resolución de problemas	22
Información técnica	22

Prefacio

Muchas gracias por la adquisición de su accesorio rebordeador Makita. Este accesorio está diseñado para instalarse en el equipo motorizado Makita que se menciona en este manual de instrucciones.

Antes de usar, por favor lea este folleto, así como el manual de instrucciones del equipo motorizado. Esto le ayudará a obtener un óptimo resultado de su accesorio rebordeador Makita.

Símbolos

Los siguientes símbolos aparecen en el accesorio y en este manual de instrucciones. Asegúrese de entender su significado.



Tenga especial cuidado y atención.



Lea el manual de instrucciones.



Mantenga el área de trabajo despejada de personas



Use protección ocular y auditiva.



Use guantes protectores.



Use botas resistentes con suelas antiderrapantes. Se recomienda el uso de botas de seguridad con punta de acero.



¡Prohibido!



Primeros auxilios

Equipo motorizado aprobado

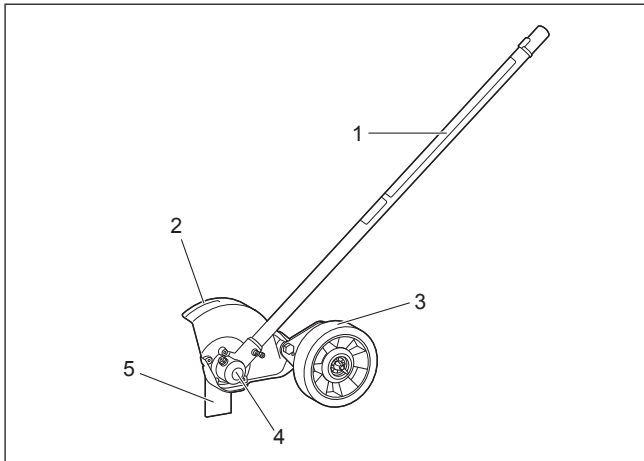
Este accesorio está aprobado para ser utilizado solamente con lo(s) siguientes(s) equipo(s) motorizado(s):

EX2650LH Multifuncional
BUX360, BUX361, BUX362, UX360D, UX361D, UX362D
Herramienta Multifuncional Inalámbrica
Solo para países excepto los EE.UU. y Canadá:
DUX60 Herramienta multifuncional inalámbrica

⚠ ADVERTENCIA:

Nunca use el accesorio con un equipo motorizado no aprobado. Una combinación no aprobada puede resultar en lesiones graves.

Descripción de la pieza



Los números a continuación hacen referencia a la ilustración.

1. Eje
2. Caja de la cuchilla
3. Disco
4. Carcasa
5. Cuchilla

Medidas de seguridad

⚠ ADVERTENCIA:

Lea todas las advertencias de seguridad, así como todas las instrucciones en ese folleto y en el manual de instrucciones del equipo motorizado. No seguir todas las advertencias e instrucciones que se presentan a continuación puede que resulte en descarga eléctrica, incendio y/o graves lesiones.

Guarde todas las advertencias e instrucciones para referencia futura.

Los términos "rebordeador" y "equipo" en las advertencias y precauciones hacen referencia a la combinación del accesorio y equipo motorizado.

El término "motor" en las advertencias y precauciones hace referencia al motor o motor eléctrico del equipo motorizado.

INSTRUCCIONES IMPORTANTES DE SEGURIDAD

PELIGRO – Al usar su rebordeador, siga las precauciones básicas, incluyendo las siguientes:

- LEA Y SIGA TODAS LAS INSTRUCCIONES** – Lea atentamente el manual de instrucciones. Familiarícese bien con los controles y el uso apropiado del equipo. Aprenda cómo parar el equipo y cómo desactivar los controles con rapidez.
- VISTA ADECUADAMENTE** – Use gafas protectoras o de seguridad. No use ropa holgada ni joyas o alhajas. Éstas podrían engancharse en las partes móviles. Se recomienda el uso de guantes resistentes y calzado de seguridad.
- MANTÉNGASE ALERTA** - Esté al pendiente de lo que esté haciendo y use su sentido común. No opere el equipo si está cansado o bajo la influencia los efectos del alcohol, medicinas u otras sustancias.

- PRECAUCIÓN** – Para reducir el riesgo de incendio, asegúrese de colocar la tapa del tanque de gasolina con firmeza.
- PELIGRO – PIEZA CORTADORA GIRATORIA** –
 - Mantenga ambas manos sobre los mangos mientras la cuchilla esté girando.
 - Mantenga los pies alejados del área de corte.
 - No intente despejar el material cortado ni el material a ser cortado con el motor en marcha, ni cuando la pieza cortadora esté en movimiento.
 - Asegúrese de que la bujía de encendido esté desconectada al eliminar los residuos que se hayan atascado en la pieza cortadora.
 - **PRECAUCIÓN** – La pieza cortadora continuará girando tras apagar la herramienta.
- MANTENGA DESPEJADA EL ÁREA DE TRABAJO** – Mantenga el área de trabajo despejada de toda persona, especialmente de niños pequeños y mascotas.
- USE EL REBORDEADOR CORRECTAMENTE** – Use el rebordeador para podar el crecimiento de arbustos y similares como se indica en las instrucciones de operación. No use el producto sobrepasando la capacidad. No use el equipo en lugares húmedos ni mojados. Nunca permita que los niños operen el equipo. Nunca permita que los adultos operen el equipo sin que hayan recibido la preparación correspondiente.
- NO SE EXCEDA EN EL ALCANCE NI SE PARE SOBRE SUPERFICIES INESTABLES** – Mantenga un pisado y equilibrio firmes en todo momento.
- DESCONECTE (DESENCHUFE) LA CABEZA DE LA BUJÍA DE ENCENDIDO** –
 - Al no estarse utilizando.
 - Antes de realizar cualquier servicio de mantenimiento, limpieza o similar.
 - Antes de cambiar los aditamentos o accesorios.
- DÉ UN MANTENIMIENTO DEDICADO AL EQUIPO** –
 - Siga las instrucciones de mantenimiento que se proporcionan en este manual.
 - Para reducir el riesgo de incendio, evite la acumulación excesiva de césped, hojas o grasa en el equipo.
- ALMACENE EL EQUIPO EN LUGARES CERRADOS** – Al no estarse utilizando, almacene el equipo en un lugar cerrado bajo llave o fuera del alcance de los niños.
- NO INTENTE HACER REPARACIONES SOBRE EL EQUIPO** –
 - Lleve el equipo a reparación a un agencia o centro de reparación.
 - Asegúrese de que se use solamente piezas de repuesto idénticas y originales.

Instrucciones pertinentes sobre riesgo de incendio o lesiones al operador

- No use el equipo al estar descalzo, con sandalias o calzado abierto. Use siempre calzado de seguridad y pantalones que cubran sus piernas por completo.
- No use el equipo en superficies cubiertas con grava.
- Nunca opere el equipo sin visibilidad ni iluminación adecuadas.
- Encienda el motor con cuidado. Asegúrese de que todos los aditamentos no se encuentren accionados antes de arrancar el motor. Mantenga las manos, los pies y la vestimenta fuera del alcance de la pieza cortadora y de las piezas móviles.
- Nunca intente hacer algún ajuste mientras el motor esté corriendo (salvo en los casos donde sea recomendado específicamente por el fabricante).
- Nunca descargue directamente los residuos donde se encuentren personas alrededor ni permita que nadie se aproxime al área de trabajo. Tenga cuidado al dirigir la descarga para evitar los embases de vidrio, automóviles y objetos similares.
- Manténgase alerta en la aceras desniveladas, zanjas en el terreno o condiciones similares durante el uso del equipo. Empuje siempre lentamente a través de suelo accidentado.
- Los objetos que sean golpeados por la pieza cortadora pueden causar graves lesiones a las personas. Se deberá siempre examinar cuidadosamente el césped y despejarse de todos los objetos antes de rebordear
- Si el equipo golpea algún objeto ajeno, siga los siguientes pasos:
 - 1) Pare el equipo.
 - 2) Desconecte la cabeza de la bujía de encendido.
 - 3) Inspeccione para ver si hay daños.

- 4) Asegúrese de que cualquier daño sea reparado antes de volver a arrancar y usar el equipo.
- j) Desactive la pieza cortadora cuando el equipo se transportado o no se esté usando.
- k) Tome todas las precauciones posibles cuando deje el equipo sin atender. Pare el motor y quite todos los aditamentos.
- l) Al limpiar, reparar, inspeccionar, asegúrese de que la pieza cortadora y todas las piezas móviles se hayan parado. Quite la batería y desconecte el cable de la bujía de encendido, y coloque dicho cable alejado de la bujía de tal forma que no se produzca un encendido accidental.
- m) Nunca opere el equipo sin que se encuentre colocadas todas las piezas, placas u otros accesorios protectores.
- n) Use solamente los accesorios y aditamentos suministrados o específicamente recomendados para usarse con este equipo.
- o) No opere el equipo con una pieza cortadora que esté dañada o demasiado desgastada.

Uso destinado

- Este equipo está diseñado solamente para reborderar césped al usarse en conjunto con el equipo motorizado aprobado. Nunca use el accesorio para otros propósitos. Puede que el uso inapropiado del accesorio resulte en graves lesiones.

Precauciones generales

- Antes de arrancar el equipo, lea este folleto y el manual de instrucciones del equipo motorizado para familiarizarse con el manejo del equipo.
- No preste el accesorio a ninguna persona sin suficiente experiencia o conocimiento en el manejo del equipo.
- Al prestar el accesorio, incluya siempre este manual de instrucciones.
- No permita que los niños ni las personas menores de 18 años usen el equipo. Manténgalos alejados del equipo.
- Use el equipo con máxima precaución y atención.
- Nunca use el equipo después de haber consumido bebidas con alcohol, drogas, medicamentos, o si se siente cansado o enfermo.
- Tenga en cuenta que el operador o usuario es responsable de los accidentes o peligros que ocurran a otras personas o sus propiedades.
- Nunca intente hacer alteraciones en el accesorio.
- Siga las regulaciones en su país sobre el manejo del equipo.
- Mantenga los protectores colocados en su lugar y en buenas condiciones.
- Mantenga las cuchillas afiladas.
- Mantenga los pies y las manos alejadas del área de corte.

Equipo protector personal

- Use casco de seguridad, así como gafas y guantes de protección para protegerse a sí mismo de residuos que salgan arrojados u objetos que caigan.



- Use protección para los oídos, como orejeras, para prevenir la pérdida auditiva.
- Use vestimenta y calzado apropiados para una operación segura, como overol de trabajo y zapato resistente con suela antiderrapante. No use ropa holgada ni joyas o alhajas. Las ropa suelta, al igual que las alhajas y el cabello largo, pueden engancharse en las partes móviles.
- Use guantes protectores al tocar la cuchilla cortadora. Las cuchillas cortadoras pueden ocasionar graves cortaduras a las manos expuestas.

Seguridad en el área de trabajo

- Opere el equipo sólo bajo entornos con visibilidad e iluminación diurna adecuadas. No use el equipo en lugares oscuros o con neblina.
- Arranque y opere el motor solamente en lugares en el exterior que cuenten con buena ventilación. La operación en un lugar confinado con ventilación insuficiente puede resultar en muerte por sofocación (ahogamiento) o intoxicación con monóxido de carbono.
- Durante la operación, nunca se pare sobre una superficie que sea inestable, resbalosa o inclinada. Durante época invernal, esté atento al hielo y a la nieve, y asegúrese de pisar el suelo con estabilidad y firmeza.
- Durante la operación, mantenga a las personas alrededor, así como las mascotas al menos a 15 m de distancia del equipo. Pare el motor tan pronto alguien se aproxime.
- Antes de la operación, inspeccione el área de trabajo para ver si hay piedras y otros objetos duros. Éstos pueden salir arrojados o causar un retroceso brusco del equipo, lo cual puede resultar en graves lesiones y/o daños a la propiedad.
- ⚠ ADVERTENCIA:** El uso de este producto puede generar polvo que contenga sustancias químicas que pueden causar enfermedades respiratorias, entre otros males. Algunos ejemplos de estos químicos son los compuestos que se encuentran en los pesticidas, insecticidas, fertilizantes y herbicidas.

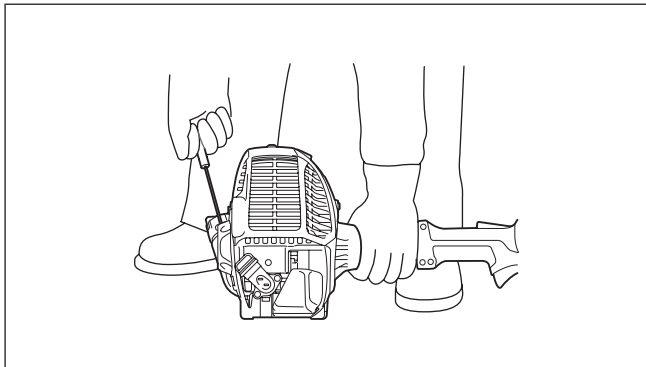
El riesgo al que se expone variará, dependiendo de la frecuencia con la que realice este tipo de trabajo. Para reducir la exposición a estos productos químicos: trabaje en un área bien ventilada, y póngase el equipo de seguridad indicado, tal como las máscaras contra el polvo que están especialmente diseñadas para filtrar partículas microscópicas.

Activación del equipo

- Antes de ensamblar o hacer ajustes en el equipo, apague el motor y quite la tapa de la bujía de encendido o el cartucho de la batería.
- Use guantes protectores antes de manipular la cuchilla cortadora.
- Antes de arrancar el motor, inspeccione el equipo para ver si hay daños, tuercas y tornillos flojos o algún ensamblado incorrecto. Reemplace la cuchilla cortadora cuando se haya doblado o dañado. Compruebe que todas las palancas e interruptores puedan accionarse con facilidad. Limpie y seque los mangos.
- Nunca intente arrancar el motor si el equipo está dañado o no está completamente ensamblado. De lo contrario, esto puede que resulte en graves lesiones.
- Ajuste el arnés para la correa de hombro y la empuñadura de tal manera que se ajuste al tamaño del cuerpo del operador.
- Verifique si hay piezas dañadas - Antes de continuar usando el accesorio, protector u otra pieza del equipo se daña, se deberá verificar cuidadosamente el funcionamiento para determinar que vaya a realizar debidamente la función para la que se haya diseñado. Verifique la alineación de las piezas móviles, la unión de las mismas, roturas de las piezas, montura y cualquier otra condición que pueda afectar la operación. Un protector o pieza que se haya dañado deberá repararse o remplazarse de manera apropiada por un centro de servicio autorizado a menos que se indique de alguna otra forma en el manual de instrucciones.

Arranque del motor

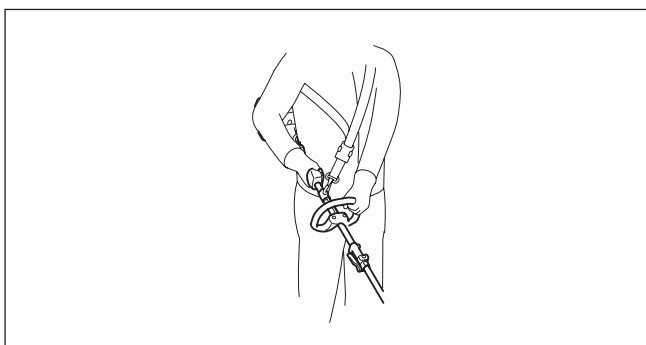
- Use el equipo de protección personal antes de arrancar el motor.
- Arranque el motor por lo menos a 3 metros (10 pies) de distancia del lugar de abastecimiento de combustible.
- Antes de arrancar el motor, asegúrese de que no haya personas ni animales en el área de trabajo.
- Cuando arranque el motor o coloque un cartucho de batería, mantenga la pieza cortadora alejada de su cuerpo y de cualquier otro objeto, incluyendo el suelo. Puede que dicha pieza se mueva al arrancar el motor y que cause graves lesiones o daños al equipo y/o a la propiedad.
- Coloque el equipo en suelo firme. Mantenga un buen equilibrio y pise firmemente el suelo.
- Al jalar la perilla del arrancador, sujete el equipo con firmeza contra el suelo con su mano izquierda. Nunca se pare sobre el eje de operación del equipo.



- Siga el manual de instrucciones del equipo motorizado para arrancar el motor.
- Si la pieza cortadora gira durante la marcha pasiva del motor, pare el motor y haga el ajuste para bajar la velocidad del motor en marcha pasiva.

Operación

- No altere los ajustes reguladores del motor ni sobreacelere la velocidad del motor.
- Si el equipo vibra anormalmente, pare el motor de inmediato y verifique la causa. Generalmente la vibración es señal de que hay algún problema.
- Pare el motor cada vez que abandone el lugar de trabajo; quite la batería o desconecte la cabeza de la bujía de encendido antes de despejar algún obstrucción en la pieza cortadora, así como al hacer algún servicio de reparación, ajuste o inspección.
- Use el producto desde un lugar donde los protectores bloqueen la línea directa de la pieza cortadora.
- En el evento de alguna emergencia, apague el motor de inmediato.
- Si percibe algo que le parezca extraño (p.ej. ruido o vibración inusuales) durante la operación, apague el motor. No use el equipo hasta que la causa se haya reconocido y resuelto.
- La pieza cortadora continúa moviéndose durante un momento breve tras haber soltado el gatillo acelerador o apagado el motor. No se apresure en hacer contacto con la pieza cortadora.
- Coloque el arnés para la correa de hombro con el motor activo en marcha pasiva solamente.
- Durante la operación, use el arnés para la correa de hombro. Mantenga firmemente el equipo sobre su costado derecho.



- Sostenga el mango delantero con la mano izquierda y el mango trasero con la mano derecha, independientemente de que usted sea diestro o zurdo. Sujete con sus manos los mangos de tal forma que los dedos enrollen el mango encontrándose con el pulgar.
- Nunca intente operar el equipo con una sola mano. Puede que haya pérdida del control resultando en lesiones graves o mortales. Para reducir el riesgo de lesiones, mantenga sus manos y pies alejados de la pieza cortadora.
- No se exceda al querer alcanzar algo. Mantenga los pies firmes y el equilibrio en todo momento. Esté al tanto de obstáculos ocultos como troncos aún enterrados de árboles cortados, raíces y zanjas para evitar tropezones.
- Nunca trabaje estando sobre escaleras o árboles para evitar la pérdida del control.
- Si el equipo recibe un golpe fuerte o cae al suelo, revise su condición antes de continuar el trabajo. Revise el sistema de combustible para ver si hay fugas, así como los controles y

dispositivos de seguridad para ver si hay alguna falla. Si hay cualquier daño o algo le resulta dudoso, solicite una inspección y servicio de reparación en un centro de servicio autorizado Makita.

- No toque la carcasa. La carcasa se calienta durante la operación.
- Tome un descanso para prevenir la pérdida del control debido al cansancio. Recomendamos tomar un descanso de 10 a 20 minutos por cada hora de trabajo.
- Siempre que vaya a dejar de atender el equipo, incluso durante un momento breve, apague el motor o quite el cartucho de la batería. Un equipo desatendido con el motor corriendo puede ser usado por una persona no autorizada y causar un grave accidente.
- Siga el manual de instrucciones del equipo motorizado para un uso correcto de la palanca de control y del interruptor.
- Durante o tras la operación, no coloque el equipo caliente sobre césped seco ni sobre material que pudiese prender fuego.
- Si las ramas o el césped quedan atrapados entre la pieza cortadora y el protector, pare el motor y quite la bujía de encendido siempre antes de despejar la obstrucción. De lo contrario, puede que la rotación accidental de la cuchilla cause lesiones graves.
- En caso de que la herramienta golpee piedras u otros objetos duros, apague el motor de inmediato y haga una inspección de la pieza cortadora.
- Revise frecuentemente la pieza cortadora durante la operación para ver si hay grietas o daños. Antes de la inspección, apague el motor y espere a que la pieza cortadora se haya detenido completamente. Reemplace inmediatamente una pieza cortadora dañada, incluso cuando se trate solo de grietas en la superficie.
- No haga nunca cortes que le queden por encima de la altura de su cintura.
- Antes de iniciar la operación de corte, espere hasta que la pieza cortadora alcance velocidad constante tras haber accionado el gatillo.
- Asegúrese siempre de pisar firmemente en suelo inclinado.
- Camine, nunca corra.
- Aplique extrema precaución al avanzar de reversa o al jalar el rebordeador hacia usted.
- Asegúrese de que la cuchilla se haya parado antes de atravesar por superficies que no sean de césped o al transportar el rebordeador desde o hacia al área a ser podada.
- Pare el motor cada vez que desatienda el rebordeador.

Piezas cortadoras

- Nunca use cuchillas incorrectas, incluyendo cadenas metálicas de múltiples piezas que giran alrededor de un pivote ni cuchillas de dientes horizontales. Esto puede que resulte en graves lesiones.
- Use siempre el protector de la pieza cortadora adecuado para la pieza cortadora a ser utilizada.

Vibración

- Puede que las personas con deficiencia en su circulación sanguínea que estén expuestas a vibración excesiva sufran de lesiones en los vasos sanguíneos o el sistema nervioso. Puede que la vibración cause los siguientes síntomas generados en los dedos, manos o muñecas: entumecimiento (adormecimiento de las partes del cuerpo), sensación de hormigueo, dolor y punción, así como alteraciones de la piel o del color de ésta. ¡Acuda a su médico si experimenta cualquiera de estos síntomas!
- Para reducir el riesgo de "enfermedad de dedo blanco", mantenga sus manos tibias durante la operación y dé un mantenimiento adecuado al equipo y los accesorios.

Transporte

- Antes de ensamblar el equipo, apague el motor y quite la tapa de la bujía de encendido o el cartucho de la batería. Quite la pieza cortadora.
- Al transportar el equipo, cárguelo horizontalmente sujetándolo del eje. Mantenga el mofle que se encuentra caliente alejado de su cuerpo.
- Al estar transportando el equipo en un vehículo, fije la posición del equipo para evitar que se voltee. De lo contrario, puede que resulte en fugas de combustible, así como daños al equipo y a otros artículos.


Mantenimiento

- Lleve su equipo a que le den servicio de mantenimiento a un centro autorizado de servicio, y siempre empleando piezas de repuesto originales. La reparación incorrecta y el mantenimiento deficiente pueden acortar la vida útil del equipo y aumentar el riesgo de accidentes.
- Antes de realizar cualquier servicio de reparación, mantenimiento o limpieza sobre el equipo, apague siempre el motor y quite la tapa de la bujía de encendido o el cartucho de la batería. Espere hasta que el motor se haya enfriado.
- Para reducir el riesgo de incendio, nunca realice servicios sobre el equipo en proximidad de las llamas de algún fuego.
- Use siempre guantes protectores al manipular la cuchilla cortadora.
- Elimine siempre la tierra y el polvo del equipo. Para este propósito, nunca use gasolina, bencina, diluyentes (tíner), alcohol o alguna sustancia similar. Puede que esto resulte en descoloración, deformación y grietas de las piezas de plástico.
- Tras cada uso, apriete todos los tornillos y las tuercas, excepto los que se usan para el ajuste del carburador.
- Nunca intente realizar algún procedimiento de mantenimiento o reparación que no se encuentre descrito en este folleto o en el manual de instrucciones del equipo motorizado. Para esos casos acuda a los centros de servicio autorizado Makita.
- Use siempre piezas de repuesto y accesorios originales Makita solamente. El uso de piezas o accesorios de otros fabricantes puede que resulte en averías del equipo, ocasionado daños a la propiedad y/o graves lesiones.
- Solicite de forma periódica a un centro de servicio autorizado Makita que inspeccione y haga servicio de mantenimiento sobre el equipo.

Almacenamiento

- Antes de almacenar el equipo, proceda con limpiarlo y hacer el mantenimiento de forma cabal. Retire la tapa de la bujía de encendido o el cartucho de la batería. Drene el combustible después de que el motor se haya enfriado. Quite la pieza cortadora.
- Si el tanque del combustible debe drenarse, lleve esto a cabo en un lugar al aire libre.
- Almacene el equipo en un lugar seco y elevado o bajo llave para que no esté al alcance de los niños.
- No recargue el equipo contra alguna pared o similar. De lo contrario, puede que repentinamente se caiga causando alguna lesión.

Primeros auxilios

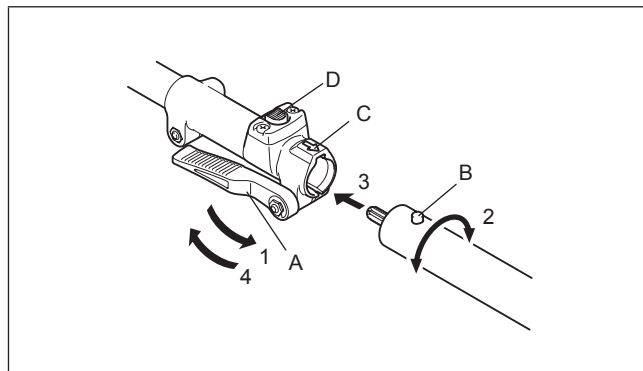
-  Tenga siempre a su alcance un juego de primeros auxilios. Reponga inmediatamente cualquier artículo que haya utilizado de su juego de primeros auxilios.
- Al pedir ayuda, proporcione la siguiente información:
 - Lugar del accidente
 - Lo sucedido
 - Número de personas lesionadas
 - Descripción de la lesión
 - Su nombre

Ensamble y ajuste

ADVERTENCIA:

- Antes de ensamblar o hacer ajustes en el equipo, apague el motor y quite la tapa de la bujía de encendido o el cartucho de la batería. De lo contrario, puede que la pieza cortadora u otras piezas se muevan resultando en graves lesiones.
- Use guantes protectores antes de manipular la cuchilla cortadora. Durante el ensamble o el ajuste, puede que sus dedos entren en contacto con la cuchilla cortadora ocasionando graves lesiones.
- Recueste el equipo siempre que lo vaya a ensamblar o al hacer ajustes en éste. Tener el equipo erguido en posición vertical durante el ensamblado o el ajuste puede resultar en graves lesiones.
- Siga las advertencias y precauciones que se indican en el capítulo "Medidas de seguridad", así como en el manual de instrucciones del equipo motorizado.

Instalación del accesorio al equipo motorizado

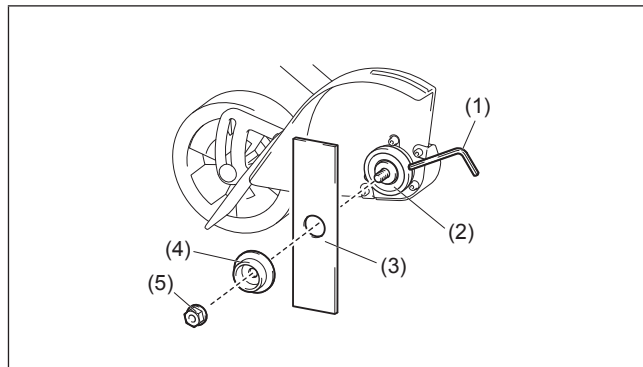


Para instalar el accesorio al equipo motorizado, siga los pasos que se indican a continuación.

1. Asegúrese de que la palanca de bloqueo (A) no se encuentre apretada.
2. Alinee la clavija (B) con la marca de la flecha (C).
3. Inserte el eje en el eje de operación del equipo motorizado hasta que el botón de liberación (D) emerja.
4. Apriete la palanca de bloqueo (A) con firmeza como se muestra. Para quitar el accesorio, afloje la palanca de bloqueo, presione el botón de bloqueo y extraiga el eje.

AVISO: No apriete la palanca de bloqueo (A) sin que el eje del accesorio se encuentre insertado. De lo contrario, puede que la palanca de bloqueo estreche el acceso del eje de operación demasiado y lo dañe.

Instalación y desinstalación de la cuchilla



1. Gire la arandela receptora (2) de tal forma que el orificio sobre la arandela receptora se alinee con el orificio en la carcasa.
2. Inserte la llave hexagonal (1) a través de los orificios. Asegúrese que la arandela receptora no gire.
3. Sujetando la llave hexagonal, gire la tuerca (5) en sentido de las agujas del reloj con una llave de tubo.
4. Quite la tuerca y la abrazadera (4).
5. Coloque la cuchilla (3).
6. Vuelva a colocar la abrazadera y la tuerca.
7. Sujetando la llave hexagonal, gire la tuerca en sentido contrario a las agujas del reloj para fijar la cuchilla.

Para quitar la cuchilla, siga los pasos anteriores en reversa.

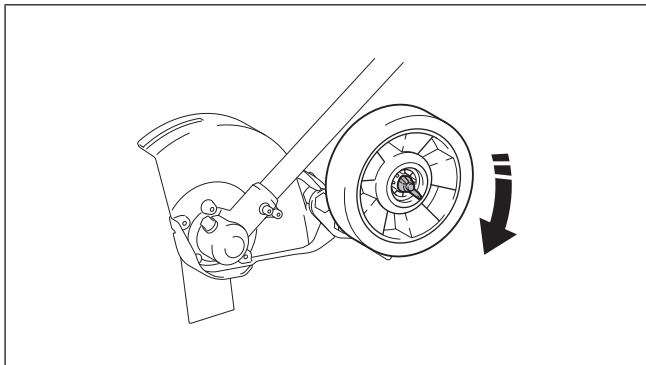
NOTA: La tuerca de fijación de la cuchilla (con la arandela de resorte) se desgasta con el transcurso del tiempo. Si se puede apreciar cualquier desgaste o deformación de la tuerca, reemplácela.

Operación

ADVERTENCIA:

- Si la pieza cortadora se mueve durante la marcha pasiva del motor, ajuste para bajar la velocidad del motor en marcha pasiva. De lo contrario no podrá parar la pieza cortadora al desactivar el acelerador, lo cual puede causar lesiones graves.
- Siga las advertencias y precauciones que se indican en el capítulo "Medidas de seguridad", así como en el manual de instrucciones del equipo motorizado.

Ajuste de la profundidad de la cuchilla



- Afloje la tuerca en el disco.
- Mueva el disco y ajuste la altura de acuerdo a la operación, y luego apriete la tuerca.

Consejos prácticos de operación

- Antes de rebordear, riegue el césped para suavizar el suelo y facilitar el podado.
- Antes de rebordear, revise el área y despeje todos los obstáculos y objetos que podrían salir proyectados al hacer contacto con el equipo.
- Planifique rebordear de forma habitual para facilitar el mantenimiento del podado y evitar tener que hacer más de una pasada.

NOTA:

Puede que la profanidad de la cuchilla tenga que ajustarse debido a diferencias en la altura de la superficie dura del suelo y la sección superior del césped.

- Ajuste la profundidad de corte la cuchilla para producir un corte fine entre la acera y el césped usando la profundidad mínima posible en la cuchilla, por lo general de alrededor 13 mm (1/2") de l la cuchilla al suelo.

Inspección y mantenimiento

⚠ ADVERTENCIA:

- Antes de inspeccionar o hacer mantenimiento en el equipo, apague el motor y quite la tapa de la bujía de encendido o el cartucho de la batería. De lo contrario, puede que la pieza cortadora u otras piezas se muevan resultando en graves lesiones.
- Recueste el equipo siempre que vaya a realizar alguna inspección o servicio de mantenimiento en éste. Tener el equipo erguido en posición vertical durante el ensamblado o el ajuste puede resultar en graves lesiones.
- Siga las advertencias y precauciones que se indican en el capítulo "Medidas de seguridad", así como en el manual de instrucciones del equipo motorizado.

Reafilado de la pieza cortadora

⚠ ADVERTENCIA:

No reafile las cuchillas cortadoras usted mismo. El reafilado manual desbalancea un cuchilla cortadora y puede que genere vibraciones y daños al equipo.

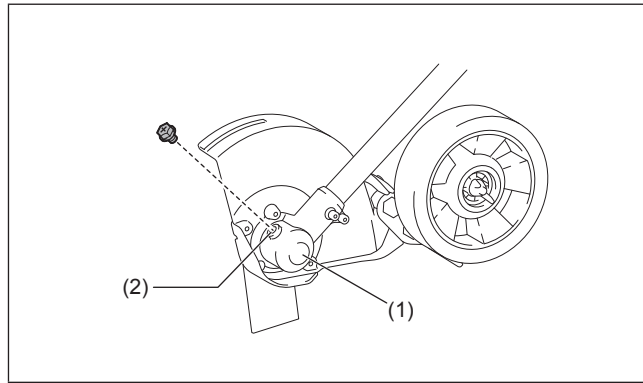
Solicite a un centro de servicio autorizado de Makita que reafile y calibre las cuchillas cortadoras que se hayan desafilado.

Lubricación de las piezas móviles

AVISO: Siga las indicaciones sobre la frecuencia y cantidad de grasa a ser suministrada. De lo contrario, puede que una lubricación insuficiente ocasione daños en las piezas móviles.

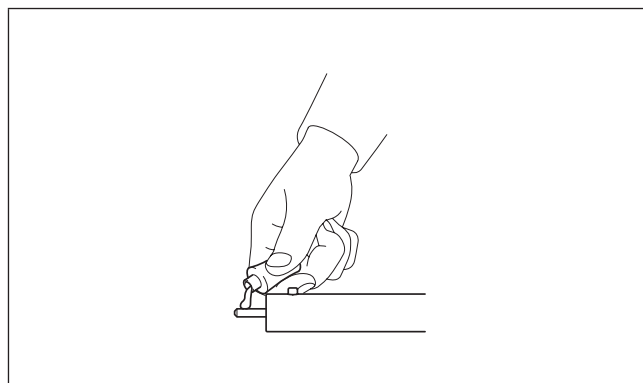
Carcasa:

Aplique grasa (Shell Alvania 2 o equivalente) al la carcasa (1) por el orificio de suministro de grasa (2) cada 30 horas de operación (la grasa original Makita puede adquirirse con su distribuidor local de productos Makita).



Eje propulsor:

Suministre grasa (Shell Alvania No. 2 o equivalente) por cada 30 horas de operación.



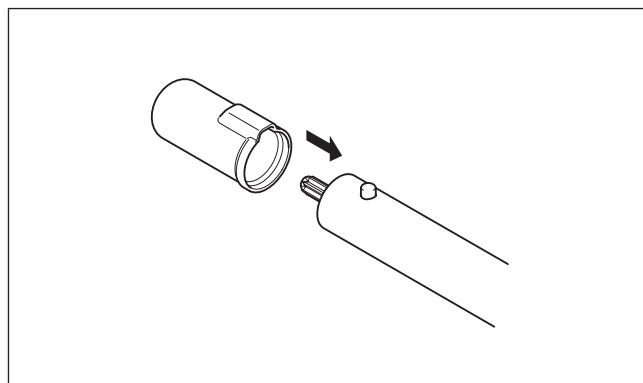
Inspección general

- Apriete los pernos, tornillos y tuercas que estén sueltos.
- Revise si hay piezas dañadas. Acuda a los centros de servicio autorizado Makita para piezas de repuesto.

Almacenamiento

⚠ ADVERTENCIA:

Siga las advertencias y precauciones que se indican en el capítulo "Medidas de seguridad", así como en el manual de instrucciones del equipo motorizado.



Al almacenar el accesorio rebordeador por separado del equipo motorizado, coloque la tapa en el extremo del eje.

Programa de mantenimiento

Horas de operación		Antes de la operación	Diario (10h)	30h	Cuando se requiera	Página correspondiente
Toda la unidad	Inspeccionar visualmente para detección de daños en las piezas	○				21
Fijación de todas las tuercas y los tornillos	Apretar	○				21
Carcasa	Suministrar grasa			○		21
Eje propulsor	Suministrar grasa			○		21
Cuchilla cortadora	Inspeccionar visualmente para ver si hay daños	○	○			21
Equipo motorizado	Consulte manual de instrucciones del equipo motorizado					

Resolución de problemas

Problema	Causa probable	Solución
El motor no arranca.	Consulte manual de instrucciones del equipo motorizado.	
El motor se para al poco tiempo de arrancar.		
La velocidad máxima es limitada.		
La pieza cortadora no gira. → ¡Pare el motor de inmediato!	La cuchilla cortadora no está fijamente apretada.	Apriete con firmeza la cuchilla cortadora.
	Se ha enredado una ramilla entre la cuchilla cortadora y el protector.	Quite los residuos y materia ajena.
	El sistema de accionamiento no funciona correctamente.	Solicite un servicio de inspección y reparación en un centro de servicio autorizado Makita.
El equipo vibra de forma anormal. → ¡Pare el motor de inmediato!	La cuchilla cortadora está doblada, desgastada o rota.	Reemplace la cuchilla cortadora con una nueva.
	La cuchilla cortadora no está fijamente apretada.	Apriete con firmeza la cuchilla cortadora.
	La cuchilla cortadora no encaja sobre la guía de la arandela receptora.	Instale la cuchilla cortadora correctamente.
	El sistema de accionamiento no funciona correctamente.	Solicite un servicio de inspección y reparación en un centro de servicio autorizado Makita.
La pieza cortadora no se detiene. → ¡Pare el motor de inmediato!	El equipo motorizado no funciona correctamente.	Consulte manual de instrucciones del equipo motorizado.

Información técnica

Modelo	EE400MP	
Dimensiones (La x An x Al)	mm (pulgadas)	878 x 131 x 291 (34-1/2" x 5-1/8" x 11-1/2")
Peso neto (sin incluir el protector ni la cuchilla)	kg (lbs)	2,4 (5,4)
Diámetro de la cuchilla cortadora	mm (pulgadas)	203 (8")
Relación de cambios	14/29	

Conteúdo

	Página
Conteúdo.....	23
Apresentação.....	23
Símbolos.....	23
Unidade motorizada aprovada.....	24
Descrição da peça.....	24
Precauções de segurança.....	24
Montagem e ajuste.....	27
Operação.....	27
Inspeção e manutenção.....	28
Armazenamento.....	28
Programa de manutenção.....	29
Resolvendo problemas.....	29
Dados técnicos.....	29

Apresentação

Obrigado por comprar o aparador de cantos da Makita. Este implemento foi projetado para ser montado na unidade motorizada Makita mencionada neste manual de instruções. Antes de usar, leia este livreto e o manual de instruções da unidade motorizada. Eles irão lhe ajudar a obter o melhor resultado possível de seu aparador de cantos da Makita.

Símbolos

Os símbolos a seguir são usados no implemento e neste manual de instruções. Entenda essas definições.



Tenha muito cuidado e preste atenção.



Leia o manual de instruções.



Mantenha a área de trabalho livre de pessoas



Use óculos de segurança e protetores de ouvido.



Use luvas de proteção.



Use botas resistentes com solas antiderrapantes. Botas de segurança com bicos de aço são recomendadas.



Proibido!



Primeiros socorros

Unidade motorizada aprovada

Este implemento é aprovado para uso somente com a(s) seguinte(s) unidade(s) motorizada(s):

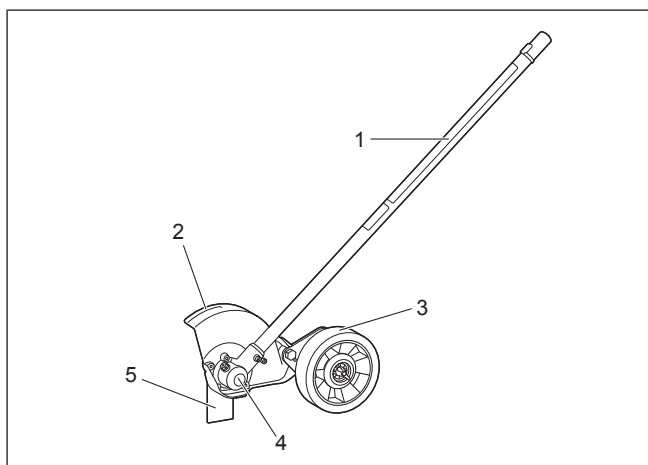
EX2650LH Multifuncional a Gasolina
BUX360, BUX361, BUX362, UX360D, UX361D, UX362D
Ferramenta Multifuncional a Bateria

Não aplicável para os EUA e Canadá:
DUX60 Ferramenta Multifuncional a Bateria

⚠ AVISO:

Nunca use o implemento com uma unidade motorizada não aprovada. A combinação não aprovada pode causar graves ferimentos.

Descrição da peça



Os números abaixo se referem à figura.

1. Eixo
2. Caixa da lâmina
3. Roda
4. Caixa de engrenagens
5. Lâmina

Precauções de segurança

⚠ AVISO:

Leia todos os avisos de segurança e todas as instruções neste livreto e no manual de instruções da unidade motorizada. A falha em seguir todos os avisos e instruções pode resultar em choque elétrico, incêndio e/ou ferimentos graves.

Salve todos os avisos e instruções para referência futura.

Os termos “aparador de cantos” e “equipamento” nos avisos e cuidados se referem à combinação de implemento e unidade motorizada.

O termo “motor” nos avisos e precauções se refere ao motor a gasolina ou elétrico da unidade motorizada.

INSTRUÇÕES IMPORTANTES DE SEGURANÇA

PERIGO - Quando usar o aparador de cantos, siga as precauções básicas, incluindo o seguinte:

- LEIA E SIGA TODAS AS INSTRUÇÕES** – Leia com atenção o manual de instruções. Familiarize-se com todos os controles e com o uso apropriado do equipamento. Saiba como parar a unidade e desengate os controles rapidamente.
- VISTA-SE ADEQUADAMENTE** – Use óculos ou visor de segurança. Não use roupas largas ou jóias. Elas podem se prender nas peças rotativas. Recomenda-se o uso de luvas resistentes e de sapatos de segurança.
- PERMANEÇA ALERTA** – Preste atenção ao que está fazendo – utilize bom senso. Não opere o produto quando estiver cansado ou sob influência de álcool ou drogas.
- ATENÇÃO** – Para reduzir o risco de incêndio, recoloque a tampa da gasolina com firmeza.

- PERIGO – FERRAMENTA DE CORTE EM ROTAÇÃO** –
 - Mantenha as duas mãos nas empunhaduras quando a lâmina estiver girando.
 - Mantenha os pés longe da área de corte.
 - Não tente remover o material cortado nem segure o material a ser cortado quando o motor estiver em funcionamento ou quando a ferramenta de corte estiver em movimento.
 - Certifique-se de que a vela de ignição está desconectada quando remover material preso da ferramenta de corte.
 - **ATENÇÃO** – A ferramenta de corte roda após ser desligada.
- MANTENHA A ÁREA DE OPERAÇÃO LIVRE** – Mantenha a área de operação livre de pessoas, principalmente crianças pequenas e animais de estimação.
- USE O APARADOR DE CANTOS CORRETAMENTE** – Use somente para aparar o tipo de arbusto, crescimento e similares descritos nas instruções de operação. Não use o produto inapropriadamente. Não use o produto na chuva ou em locais molhados. Nunca deixe crianças operarem o produto. Nunca permita que adultos operem o produto sem instrução apropriada.
- NÃO TENHA ULTRAPASSAR O PONTO DE CONFORTO NEM FIQUE SOBRE UM SUPORTE INSTÁVEL** – Mantenha sempre um bom posicionamento dos pés e equilíbrio.
- DESCONECTE (DESENGATE) O CONDUTOR DA VELA DE IGNIÇÃO** –
 - Quando não estiver em uso.
 - Antes de prestar manutenção, limpeza e similar.
 - Antes de carregar acessórios.
- CUIDE BEM DO PRODUTO** –
 - Siga as instruções de manutenção dadas no manual.
 - Para reduzir o risco de incêndio, não permita que grama, folhas ou lubrificante acumulem no produto.
- GUARDE O PRODUTO EM AMBIENTE INTERNO** – Quando não estiver em uso, guarde o produto em ambiente interno em um local seco e trancado, ou de outra forma inacessível a crianças.
- NÃO TENHA CONSERTAR O PRODUTO** –
 - Faça com que os reparos sejam realizados por representante ou técnico qualificado.
 - Somente peças de reposição idênticas devem ser usadas.

Instruções relativas ao risco de incêndio ou ferimento de pessoas.

- Não opere o produto quando estiver descalço ou usando sandálias abertas. Use sempre sapatos de segurança e calças que cubram suas pernas.
- Não use o produto em superfícies de pedregulho.
- Nunca opere o produto sem visibilidade ou luz.
- Dê partida ao motor com cuidado. Certifique-se de que todos os implementos estejam desengatados antes de tentar dar partida. Mantenha as mãos, pés e roupas longe da ferramenta de corte e peças em movimento.
- Nunca tente fazer ajustes enquanto o motor está em funcionamento (exceto onde especificamente recomendado pelo fabricante).
- Nunca direcione a descarga de material para observadores nem permita que haja ninguém próximo da área de operação. Tenha cuidado ao direcionar descarga para evitar invólucros de vidro, automóveis e objetos similares.
- Fique alerta em calçadas desniveladas, buracos no terreno ou outras condições similares quando usar o produto. Empurre sempre devagar em terra dissecada.
- Objetos presos pela ferramenta de corte podem causar lesões graves às pessoas. O gramado deve ser sempre examinado com atenção e todos os objetos devem ser removidos antes de fazer aparos.
- Se o produto bater em um objeto estranho, siga esses passos:
 - 1) Pare o produto.
 - 2) Desconecte o condutor da vela de ignição.
 - 3) Inspeccione quanto a danos.
 - 4) Conserte qualquer dano antes de reiniciar e operar o produto.
- Desengate a ferramenta de corte quando o produto for transportado ou quando não estiver em uso.
- Tome todas as precauções possíveis quando deixar o produto desacompanhado. Desengate os implementos e pare o motor.
- Quando limpar, consertar ou inspecionar, certifique-se de que a ferramenta de corte e todas as partes móveis pararam. Remova a bateria ou desconecte o fio da vela de ignição, e mantenha o

- fio longe da vela para que não ocorra partida não intencional.
- m) Nunca opere o produto sem protetores, placas ou outros dispositivos de proteção no lugar.
 - n) Use somente acessórios e implementos fornecidos ou especificamente recomendados para uso com o produto.
 - o) Não opere o produto com uma ferramenta de corte excessivamente gasta ou danificada.

Aplicação

- Este equipamento foi destinado somente para aparar os cantos do gramado em conjunto com uma unidade motorizada aprovada. Nunca use o implemento para outro propósito. Abusar do implemento pode causar ferimentos graves.

Precauções gerais

- Antes de iniciar o equipamento, leia este livreto e o manual de instruções da unidade motorizada para se familiarizar com o manuseio do equipamento.
- Não empreste o implemento a uma pessoa com pouca experiência ou conhecimento sobre manuseio do equipamento.
- Quando emprestar o implemento, anexe sempre este manual de instruções.
- Não permita que crianças ou jovens com menos de 18 anos utilizem o equipamento. Mantenha-os longe do equipamento.
- Manuseie o equipamento com o maior cuidado e atenção.
- Nunca utilize o equipamento após consumir álcool ou drogas, ou se estiver se sentindo cansado ou doente.
- Tenha em mente que o operador ou usuário é responsável por acidentes ou perigos que ocorram a outras pessoas ou suas propriedades.
- Nunca tente modificar o implemento.
- Siga os regulamentos de seu país sobre o manuseio do equipamento.
- Mantenha os protetores no lugar e em boas condições de funcionamento.
- Mantenha as lâminas afiadas.
- Mantenha mãos e pés longe da área de corte.

Equipamentos de proteção pessoal

- Use capacete e óculos de segurança, além de luvas de proteção para proteger-se de fragmentos que voam ou objetos que caem.



- Use proteção auricular, como tampões de ouvido, para evitar a perda de audição.
- Use roupas e sapatos apropriados para a operação segura, tais como macacão de trabalho e sapatos resistentes e não derrapantes. Não use roupas largas ou joias. Roupas largas, joias e cabelos longos podem ficar presos nas peças rotativas.
- Quando tocar a lâmina de corte, use luvas de proteção. As lâminas de corte podem cortar gravemente mãos desnudas.

Segurança da área de trabalho

- Opere o equipamento com boa visibilidade e somente sob a luz do dia. Não opere a máquina no escuro ou com neblina.
- Dê partida e opere o motor somente ao ar livre em uma área bem ventilada. A operação em uma área confinada ou mal ventilada pode resultar em morte devido à asfixia ou envenenamento por monóxido de carbono.
- Durante a operação, nunca fique de pé sobre uma superfície instável ou escorregadia ou em um declive muito íngreme. Durante a estação fria, cuidado com gelo e neve, e sempre assegure o posicionamento firme dos pés.
- Durante a operação, mantenha os observadores ou animais

a pelo menos 15 metros de distância do equipamento. Pare o motor assim que alguém se aproximar.

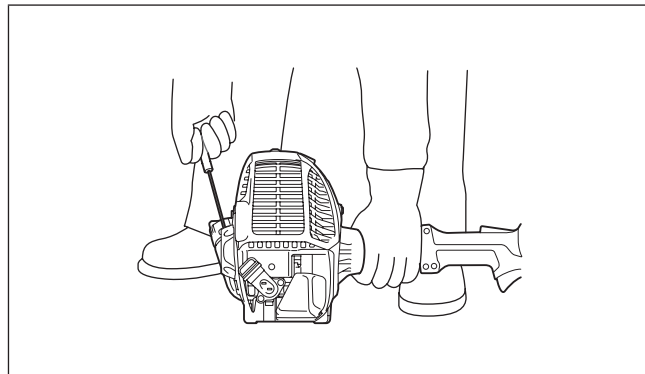
- Antes da operação, examine a área de trabalho quanto a pedras ou outros objetos sólidos. Eles podem ser arremessados ou causar rebote perigoso e resultar em ferimentos graves e/ou dano à propriedade.
- **⚠ AVISO:** O uso deste produto pode criar poeira que contém químicos que podem causar doenças respiratórias ou outras. Alguns exemplos desses químicos são compostos encontrados em pesticidas, inseticidas, fertilizantes e herbicidas. O risco a esta exposição varia, dependendo da frequência com que executa este tipo de trabalho. Para reduzir a exposição a estes químicos: trabalhe em uma área bem ventilada e utilize equipamento de segurança adequado, como uma máscara para pó especialmente projetada para filtrar as partículas microscópicas.

Colocação em funcionamento

- Antes de montar ou ajustar o equipamento, desligue o motor e remova a tampa da vela de ignição ou a bateria.
- Antes de manusear a lâmina de corte, use luvas de proteção.
- Antes de dar partida ao motor, inspecione o equipamento quanto a danos, parafusos/porcas frouxas ou montagem incorreta. Se a lâmina de corte estiver torta ou danificada, faça a sua substituição. Verifique todas as chaves e alavancas de controle quanto ao fácil movimento. Limpe e seque bem as empunhaduras.
- Nunca tente dar partida ao motor se o equipamento estiver danificado ou não estiver totalmente montado. Caso contrário, isso pode provocar ferimentos graves.
- Ajuste o arnês de ombro e o punho para se adequar ao tamanho do corpo do operador.
- Verifique peças danificadas - Se houver protetor ou outra peça danificada, verifique cuidadosamente para determinar se poderão desempenhar a função pretendida devidamente antes de continuar a usar o implemento. Verifique o alinhamento e a ligação das peças rotativas, a instalação, se há peças quebradas ou qualquer outra condição que possa afetar o funcionamento da ferramenta. Protetores ou outras peças danificadas devem ser devidamente consertados ou trocados pelo centro de assistência técnica autorizada, a menos que indicado de forma diferente neste manual.

Partida do motor

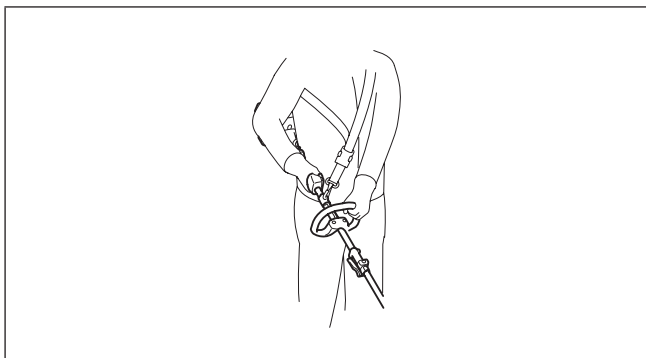
- Use os equipamentos pessoais antes de dar partida ao motor.
- Dê partida ao motor pelo menos a 3 metros (10 pés) de distância do local de abastecimento.
- Antes de dar partida ao motor, certifique-se de que não há ninguém nem animal na área de trabalho.
- Quando der partida ao motor ou inserir uma bateria, mantenha a ferramenta de corte longe de seu corpo e de outro objeto, incluindo o chão. Ela pode girar quando der partida e causar ferimentos graves ou danos ao equipamento e/ou à propriedade.
- Coloque o equipamento sobre o chão firme. Mantenha um bom equilíbrio e posicionamento seguro dos pés.
- Quando puxar o manípulo de partida, segure firmemente a unidade motorizada contra o chão com sua mão esquerda. Nunca pise no eixo de acionamento da unidade motorizada.



- Siga o manual de instruções da unidade motorizada para dar partida ao motor.
- Se a ferramenta de corte girar em marcha lenta, pare o motor e ajuste para baixo a velocidade de marcha lenta.

Operação

- Não altere os ajustes que governam o motor ou aumente a velocidade do motor.
- Se o produto vibrar anormalmente, pare imediatamente o motor e verifique a causa. A vibração é geralmente um aviso de problema.
- Pare o motor sempre que deixar a posição de operação; remova a bateria ou desconecte o condutor da vela de ignição antes de desobstruir o protetor da ferramenta de corte ou quando fizer reparo, ajuste ou inspeção.
- Opere o produto a partir da posição em que os protetores bloqueiam a linha de visão para a ferramenta de corte.
- Em caso de emergência, desligue imediatamente o motor.
- Se perceber uma condição incomum (p. ex. ruído, vibração) durante a operação, desligue o motor. Não use o equipamento até que a causa seja reconhecida e resolvida.
- A ferramenta de corte continua a se mover por um curto período depois de soltar o acionador do acelerador ou desligar o motor. Não se apresse em fazer o contato da ferramenta de corte.
- Com o motor funcionando somente em marcha lenta, coloque o arnês de ombro.
- Durante a operação, utilize o arnês de ombro. Mantenha o equipamento firmemente no seu lado direito.



- Segure a empunhadura frontal com a mão esquerda e o punho traseiro com a mão direita, não importando se você é destro ou canhoto. Envolver seus dedos e polegares em torno das empunhaduras.
- Nunca tente operar o equipamento com uma mão. A perda de controle pode resultar em ferimentos graves ou fatais. Para reduzir o risco de ferimento, mantenha suas mãos e pés longe da ferramenta de corte.
- Não tente se estender além do ponto de conforto. Mantenha-se sempre em uma posição firme e equilibrada. Preste atenção quanto a obstáculos escondidos, tais como pedaços de tronco, raízes e valas para evitar um tombo.
- Nunca trabalhe em uma escada ou árvore para evitar a perda do controle.
- Se o equipamento sofrer um impacto forte ou cair, verifique suas condições antes de continuar o trabalho. Verifique o sistema de combustível quanto a vazamento de combustível, e os controles e dispositivos de segurança quanto ao mau funcionamento. Se houver algum dano ou dúvida, solicite inspeção e reparo da assistência técnica autorizada Makita.
- Não toque na caixa de engrenagens. A caixa de engrenagens fica quente durante a operação.
- Descanse para evitar a perda de controle causada pela fadiga. Recomendamos tirar 10 a 20 minutos de descanso por hora.
- Quando você deixar o equipamento, mesmo por pouco tempo, sempre desligue o motor ou remova a bateria. O equipamento desacompanhado com o motor funcionando pode ser usado por uma pessoa não autorizada e causar um acidente grave.
- Siga o manual de instruções da unidade motorizada para o uso correto da chave e alavanca de controle.
- Durante ou após a operação, não coloque o equipamento quente sobre a grama seca ou sobre materiais combustíveis.
- Se grama ou galhos ficarem presos entre a ferramenta de corte e a proteção, pare sempre o motor e remova a tampa da vela de ignição ou a bateria antes de limpar. Caso contrário, a rotação involuntária da lâmina pode causar ferimentos graves.
- Se a ferramenta de corte bater em pedras ou outros objetos duros, desligue imediatamente o motor e inspecione a ferramenta de corte.
- Verifique a ferramenta de corte com frequência durante a

- operação quanto a rachaduras ou danos. Antes da inspeção, desligue o motor e aguarde até que a ferramenta de corte pare por completo. Substitua imediatamente a ferramenta de corte danificada, mesmo se só tenha rachaduras superficiais.
- Nunca faça cortes acima da altura da cintura.
- Antes de iniciar a operação de corte, aguarde até a ferramenta de corte alcançar uma velocidade constante após puxar o gatilho.
- Esteja sempre certo do posicionamento de seus pés em declives.
- Ande, nunca corra.
- Use cuidado extremo quando reverter ou puxar o aparador de cantos para sua direção.
- Certifique-se de que a lâmina tenha parado antes de cruzar superfícies que não sejam grama quando transportar o aparador de cantos para e da área a ser aparada.
- Pare o motor sempre que deixar o aparador de cantos.

Ferramentas de corte

- Nunca use outras lâminas inapropriadas, incluindo correntes metálicas giratórias de várias peças e lâminas frágeis. Isso pode resultar em ferimento grave.
- Use sempre a proteção adequada da ferramenta de corte para a ferramenta de corte usada.

Vibração

- As pessoas que sofrem de má circulação e que são expostas à vibração excessiva, podem sofrer danos aos vasos sanguíneos ou ao sistema nervoso. A vibração pode causar a ocorrência dos seguintes sintomas nos dedos, mãos ou pulsos: Adormecimento, formigamento, dor, pontadas, alteração da cor da pele ou da própria pele. Se ocorrer qualquer um desses sintomas, consulte um médico!
- Para reduzir o risco de “doença de branqueamento dos dedos”, mantenha suas mãos aquecidas durante a operação e mantenha bem o equipamento e os acessórios.

Transporte

- Antes de transportar o equipamento, desligue o motor e remova a tampa da vela de ignição ou a bateria. Remover a ferramenta de corte.
- Quando transportar o equipamento, carregue-o em uma posição horizontal segurando pelo eixo. Mantenha o silencioso quente longe de seu corpo.
- Quando transportar o equipamento em um veículo, segure-o corretamente para evitar que se vire. Senão pode resultar em vazamento de combustível e danos ao equipamento e outra bagagem.


Manutenção

- Leve seu equipamento para manutenção em nossa assistência técnica, usando sempre peças de reposição genuínas. O reparo incorreto e a manutenção ruim podem encurtar a vida útil do equipamento e aumentar o risco de acidentes.
- Antes de realizar qualquer trabalho de manutenção ou reparo, ou limpar o equipamento, sempre desligue o motor e remova a tampa da vela de ignição ou bateria. Aguarde até o motor esfriar.
- Para reduzir o risco de incêndio, nunca preste serviço ao equipamento perto de fogo.
- Sempre use luvas de proteção quando manusear a lâmina de corte.
- Sempre limpe poeira ou sujeira do equipamento. Nunca utilize gasolina, benzina, solvente, álcool ou algo semelhante para isso. Isso pode resultar em descoloração, deformação ou rachaduras dos componentes plásticos.
- Após cada uso, aperte todos os parafusos e porcas, exceto os parafusos de ajuste do carburador.
- Não tente qualquer manutenção ou reparo não descrito neste livro ou no manual de instruções da unidade motorizada. Solicite tal trabalho à assistência técnica autorizada Makita.
- Use somente peças de reposição e acessórios genuínos da Makita. Usar peças ou acessórios fornecidos por terceiros pode resultar na quebra do equipamento, danos à propriedade e/ou ferimentos graves.
- Solicite à assistência técnica autorizada Makita para inspecionar e fazer a manutenção do equipamento em intervalos regulares.

Armazenamento

- Antes de armazenar o equipamento, realize a limpeza total e a manutenção. Remova a tampa da vela de ignição ou bateria. Drene o combustível depois que o motor esfriar. Remover a ferramenta de corte.
- Se o tanque de combustível tiver de ser drenado, faça isso ao ar livre.
- Guarde o equipamento em um local seco e alto ou com cadeado, longe do alcance de crianças.
- Não apoie o equipamento contra nada, por exemplo, contra uma parede. Senão ele pode cair de repente e causar ferimentos.

Primeiros socorros

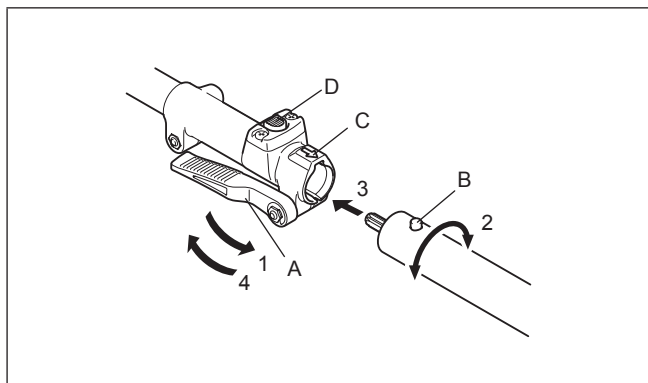
-  Tenha sempre uma caixa de primeiros socorros nas proximidades. Reponha imediatamente qualquer item tirado da caixa de primeiros socorros.
- Quando pedir ajuda, dê as seguintes informações:
 - Local do acidente
 - O que aconteceu
 - Número de pessoas feridas
 - Natureza do ferimento
 - Seu nome

Montagem e ajuste

AVISO:

- Antes de montar ou ajustar o equipamento, desligue o motor e remova a tampa da vela de ignição ou a bateria. Caso contrário a ferramenta de corte ou outras peças podem se mover e resultar em ferimentos graves.
- Antes de manusear a lâmina de corte, use luvas de proteção. Durante a montagem ou o ajuste, seus dedos podem entrar em contato com a lâmina de corte e isso pode causar ferimento grave.
- Quando montar ou ajustar o equipamento, sempre coloque-o deitado. Montar ou ajustar o equipamento em uma posição ereta pode resultar em ferimentos graves.
- Siga os avisos e precauções no capítulo "Precauções de segurança" e no manual de instruções da unidade motorizada.

Montagem do implemento a uma unidade motorizada

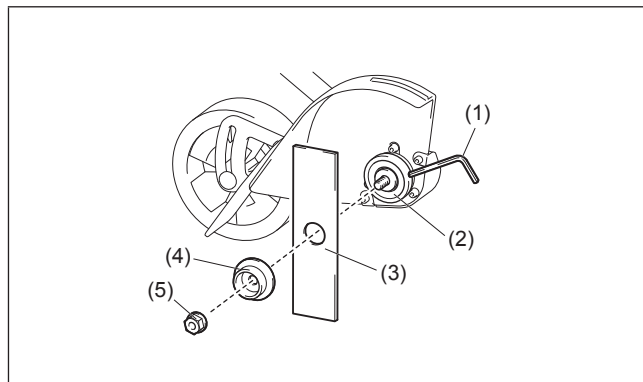


Para montar o implemento a uma unidade motorizada, siga as etapas abaixo.

1. Certifique-se de que a alavanca de travar (A) não está apertada.
2. Alinhe o pino (B) com a marca da seta (C).
3. Insira o eixo no eixo de acionamento da unidade motorizada até que o botão de liberação (D) apareça.
4. Aperte a alavanca de travar (A) firmemente conforme mostrado. Para remover o anexo, afrouxe a alavanca de travar, pressione o botão de travar e retire o eixo.

AVISO: Não aperte a alavanca de travar (A) sem o eixo do implemento inserido. Caso contrário, a alavanca de travar pode apertar muito a entrada do eixo de acionamento e danificá-lo.

Instalação e remoção da lâmina



1. Gire a arruela de recepção (2) de forma que o orifício na arruela de recepção se alinhe com o orifício na caixa de engrenagens.
2. Insira a chave sextavada (1) pelos orifícios. Certifique-se de que a arruela de recepção não gira.
3. Segurando a chave sextavada, gire a porca (5) na direção horária usando uma chave de encaixe.
4. Remova a porca e a braçadeira (4).
5. Coloque as lâminas (3).
6. Retorne a braçadeira e a porca.
7. Segurando a chave sextavada, gire a porca na direção anti-horária para apertar a lâmina.

Para remover a lâmina, realize as etapas acima em ordem reversa.

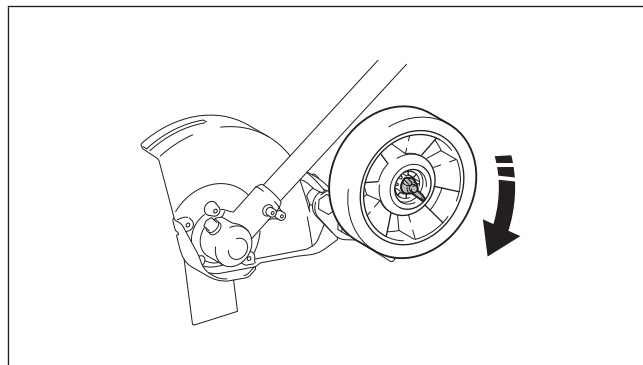
NOTA: A porca de aperto da lâmina de corte (com arruela de pressão) se desgasta com o tempo. Se aparecer qualquer desgaste ou deformação na porca, faça a sua substituição.

Operação

AVISO:

- Se a ferramenta de corte se mover quando em marcha lenta, reduza a velocidade de marcha lenta. Caso contrário você não pode parar a ferramenta de corte com a aceleração desligada e isso pode causar ferimento grave.
- Siga os avisos e precauções no capítulo "Precauções de segurança" e no manual de instruções da unidade motorizada.

Ajuste da profundidade da lâmina



- Desaperte a porca na roda.
- Mova a roda e ajuste a altura de acordo com a operação, depois aperte a porca.

Dicas de operação

- Antes de aparar, molhe a área com água para amaciar o chão e facilitar o aparar.
- Antes de aparar, verifique a área e remova todos os obstáculos e objetos que podem ser arremessados.
- Planeje aparar regularmente para facilitar a manutenção de um aparar bonito e para evitar passar mais de uma vez.

NOTA:

A profundidade da lâmina pode ter de ser ajustada devido a diferenças na altura entre a superfície dura e o topo da grama.

- Ajuste a profundidade da lâmina do corte para produzir um corte fino entre a calçada e a grama, usando uma profundidade

da lâmina mínima, geralmente em torno de 13 mm (1/2 pol) da lâmina dentro do chão.

Inspeção e manutenção

⚠ AVISO:

- Antes de inspecionar ou montar o equipamento, desligue o motor e remova a tampa da vela de ignição ou a bateria. Caso contrário a ferramenta de corte ou outras peças podem se mover e resultar em ferimentos graves.
- Quando inspecionar ou manter o equipamento, sempre coloque-o deitado. Montar ou ajustar o equipamento em uma posição ereta pode resultar em ferimentos graves.
- Siga os avisos e precauções no capítulo "Precauções de segurança" e no manual de instruções da unidade motorizada.

Afiação da ferramenta de corte

⚠ AVISO:

Não afie novamente lâminas de corte por si mesmo. Afiar de novo manualmente perde o balanceamento da lâmina de corte e pode causar vibrações e danificar o equipamento.

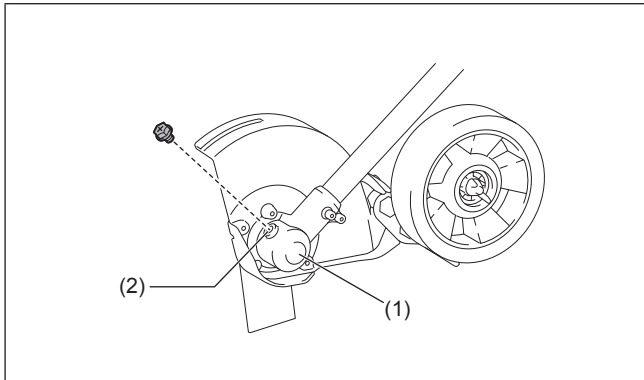
Solicite a afiação e o balanceamento das lâminas de corte novamente à assistência técnica autorizada Makita.

Lubrificação das peças móveis

AVISO: Siga as instruções de frequência e quantidade de graxa fornecida. Caso contrário, a lubrificação insuficiente pode danificar as peças móveis.

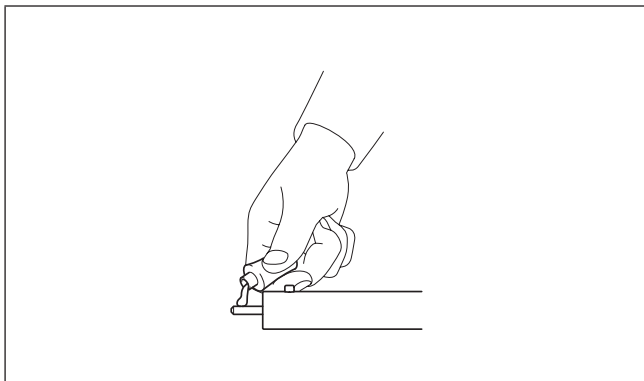
Caixa de engrenagens:

Aplique graxa (Shell Alvania nº 2 ou equivalente) à caixa de engrenagens (1) através do orifício (2) de colocação de graxa a cada 30 horas de operação. (Graxa genuína Makita pode ser comprada de um representante Makita.)



Eixo de acionamento:

Forneça graxa (Shell Alvania nº 2 ou equivalente) a cada 30 horas de operação.



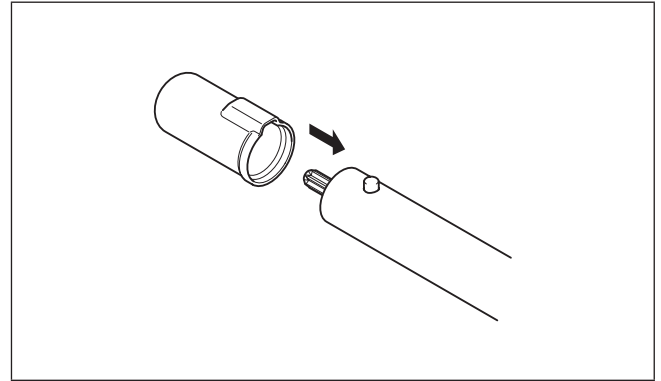
Inspeção geral

- Aperte as cavilhas, porcas e parafusos frouxos.
- Verifique se há peças danificadas. Solicite a sua substituição à assistência técnica autorizada Makita.

Armazenamento

⚠ AVISO:

Siga os avisos e precauções no capítulo "Precauções de segurança" e no manual de instruções da unidade motorizada.



Quando guardar o aparador de cantos separado da unidade motorizada, coloque a capa no final do eixo.

Programa de manutenção

Hora de operação		Antes da operação	Diariamente (10 horas)	30 horas	Se necessário	Página correspondente
Unidade inteira	Inspecionar visualmente quanto a peças danificadas	○				28
Todos os parafusos e porcas de fixação	Aperte	○				28
Caixa de engrenagens	Fornecer graxa			○		28
Eixo de acionamento	Fornecer graxa			○		28
Lâmina de corte	Inspeccione visualmente quanto a danos	○	○			28
Unidade motorizada	Consulte o manual de instruções da unidade motorizada.					

Resolvendo problemas

Problema	Causa provável	Solução
O motor não dá partida.	Consulte o manual de instruções da unidade motorizada.	
O motor para logo depois de dar partida.		
A velocidade máxima é limitada.		
A ferramenta de corte não gira. → Pare o motor imediatamente!	A lâmina de corte não está apertada com firmeza.	Aperte a lâmina de corte com firmeza.
	Um galho fino foi pego entre a lâmina de corte e o protetor.	Remova o material estranho.
	O sistema de acionamento não funciona corretamente.	Solicite a inspeção e o reparo à assistência técnica autorizada Makita.
A unidade vibra anormalmente. → Pare o motor imediatamente!	A lâmina de corte está entortada, gasta ou quebrada.	Substitua a lâmina de corte por uma nova.
	A lâmina de corte não está apertada com firmeza.	Aperte a lâmina de corte com firmeza.
	A lâmina de corte não se encaixa na arruela de recepção.	Instale a lâmina de corte corretamente.
	O sistema de acionamento não funciona corretamente.	Solicite a inspeção e o reparo à assistência técnica autorizada Makita.
A ferramenta de corte não para. → Pare o motor imediatamente!	A unidade motorizada não funciona corretamente.	Consulte o manual de instruções da unidade motorizada.

Dados técnicos

Modelo		EE400MP
Dimensões (C x L x A)	mm (pol)	878 x 131 x 291 (34-1/2" x 5-1/8" x 11-1/2")
Peso (não incluindo o protetor e a lâmina)	kg (lbs)	2,4 (5,4)
Diâmetro da lâmina de corte	mm (pol)	203 (8")
Relação de transmissão		14/29

目录

	页码
目录	30
前言	30
符号	30
批准的动力装置	31
机件描述	31
安全注意事项	31
装配与调校	33
操作	34
检查与保养	34
存放	34
维护计划	35
故障排除	35
技术数据	35

前言

感谢您购买牧田 (MAKITA) 草坪修边头。该修边头设计用于安装在本指导手册中所提及的牧田动力装置上。使用前请阅读本手册及动力装置的指导手册。这些内容有助您最合理地利用牧田草坪修边头。

符号

修边头和本指导手册使用了以下符号。请理解这些符号的定义。



要万分小心谨慎。



请阅读操作手册。



保持工作区域无人



佩戴护眼、护耳装置。



请戴好防护手套。



穿上结实的有防滑底的靴子。建议穿有钢头的安全靴。



禁止！



急救

批准的动力装置

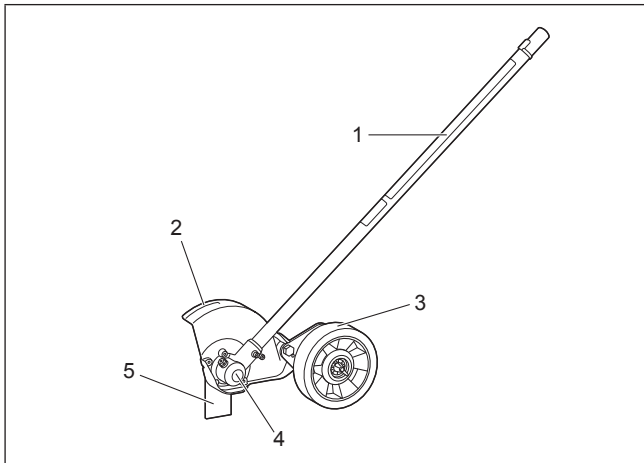
本修边头仅批准用于以下动力装置：

EX2650LH 多功能汽油机
BUX360、BUX361、BUX362、UX360D、UX361D、UX362D
充电式多功能动力机
仅适用于除美国和加拿大以外的国家：
DUX60 充电式多功能动力机

警告：

严禁将本修边头用于非批准的动力装置。非批准的组合可能导致严重受伤。

机件描述



图中所指的编号如下。

1. 轴
2. 刀片箱
3. 轮子
4. 齿轮箱
5. 刀片

安全注意事项

警告：

请阅读本手册及动力装置指导手册中的所有安全警告和所有操作指示。违反这些警告和指示可能导致触电、火灾和/或严重的人身伤害事故。

请妥善保存所有的警告和操作指示以备日后参考。

警告和注意事项中的“草坪修边机”和“设备”一词是指修边头与动力装置的组合。

警告和注意事项中的“电机”一词是指动力装置的发动机或电动机。

重要安全指导

危险 - 使用修边头时，遵守基本注意事项，包括以下内容：

- 阅读并遵守所有指导 - 仔细阅读指导手册。彻底熟悉设备的控制和正确使用办法。了解如何停止机器并快速断开控制器。
- 正确着装 - 戴上安全防护镜。请勿穿戴宽松的衣服或佩戴首饰。它们可能会被移动的零件卡住。建议使用牢固的手套和安全靴。
- 保持警惕 - 注意你正在做的事 - 使用常识。疲劳或受酒精或药物影响时不得操作产品。
- 注意 - 为减少火灾风险，安全更换汽油盖。
- 危险 - 旋转刀具 -
 - 刀片旋转时保持双手握住把手。
 - 保持双脚远离切割区域。
 - 电机运行或刀具移动时，请勿尝试取下切割材料或握住要切割的材料。
 - 从刀具清除塞住的材料时，确保断开火花塞的连接。

- 注意 - 关闭后刀具滑动。
- f) 保持操作区域清洁 - 保持操作区域无人，特别是小孩和宠物。
- g) 正确使用修边头 - 仅用于灌木、作物、操作指导中所述类似物的修边。请勿滥用本产品。不得在湿气重或潮湿的场所使用产品。禁止儿童操作本产品。禁止成人在未经正确指导的情况下操作本产品。
- h) 请勿过度伸张或站立在不稳定的支撑上 - 时刻保持良好站立和平衡。
- i) 断开火花塞头连接（拔出） -
 - 未使用时。
 - 维修、清洁和类似操作前。
 - 更换附件配件前。
- j) 小心维护产品 -
 - 遵守手册给出的维护指导。
 - 为减少火灾危险，请勿允许在产品上积聚过多的草、树叶或油脂。
- k) 室内存储产品 - 未使用时，在室内干燥上锁或其他儿童不能接触的地方存放产品。
- l) 请勿尝试修理产品 -
 - 修理须由有资质的经销商或修理人士进行。
 - 务必仅使用相同的更换零件。

关于火灾或人员受伤危险的指导

- 请勿赤脚或穿着露趾凉鞋操作产品。总是穿着安全靴、长裤或能盖住腿的便裤。
- 请勿在砂石表面上使用本产品。
- 能见度或光线差时禁止操作本产品。
- 小心启动电机。启动前，确保所有附件已经脱离。保持手、脚和衣服远离刀具和移动零件。
- 电机运行时禁止进入任何调节（制造商专门建议的除外）。
- 禁止朝旁观者直接排料，禁止允许任何人在操作区域附近。指导排料时请小心使用，避免玻璃附件、汽车和类似物体。
- 使用产品时保持警惕，注意路面不平、孔洞或类似情况。在不平的地面上时总是慢推。
- 刀具击打到物体可导致严重的人员受伤。修边前，务必仔细检查草坪并清除所有物体。
- 如果产品击打到异物，请遵循以下步骤：
 - 1) 停止产品。
 - 2) 断开火花塞接头连接。
 - 3) 检查损坏情况。
 - 4) 重启和操作本产品前先修理损坏。
- 运输或未使用本产品时，拆下刀具。
- 产品无人值守时，交代所有可能的注意事项。拆下附件，停止电机。
- 清洁、修理或检查时，确保刀具和所有移动零件已经停止。拆下电池，或断开火花塞接线，保持接线远离火花塞，防止出现意外启动。
- 护板、板子或其他防护装置未就位时，禁止操作本产品。
- 仅使用专门推荐用于本产品的配件和附件。
- 不要操作刀具已受损或过度磨损的产品。

设计用途

该设备仅限结合批准的动力装置用于修剪草坪。不得将修边头作其它用途。滥用修边头可能会造成严重受伤。

一般防范措施

- 在启动设备前，请先阅读本手册以及动力装置的指导手册，来熟悉设备的操作。
- 切勿将修边头借给对设备的操作经验不足或不了解的人员使用。
- 如果出借修边头，务必附上本指导手册。
- 禁止儿童或未满 18 岁的青少年使用设备。应让他们远离设备。
- 应非常小心谨慎地操作设备。
- 切勿在酒后或服用药物后，或在感觉疲劳或身体不适时使用设备。

- 请牢记操作人员或使用人员将对他人或其财产发生的意外事故或危险负责。
- 不得改装修边头。
- 遵循所在国家的设备使用规定。
- 保持护板就位，功能正常。
- 保持刀片锋利。
- 保持手、脚远离切割区域。

个人防护装备

- 配戴安全帽、护目镜和防护手套，以防您受到飞溅的碎屑或坠落物体的伤害。



- 配戴护耳装置如护耳套以防听力损伤。
- 穿戴适当的衣服和鞋子以确保安全作业，譬如穿上工作服和结实、防滑的鞋子。请勿穿戴宽松的衣服或佩戴首饰。宽松的衣服、首饰或长发可能会被卷入移动机件中。
- 触碰刀片时，应戴上防护手套。刀片会严重割伤裸露的双手。

工作区域安全

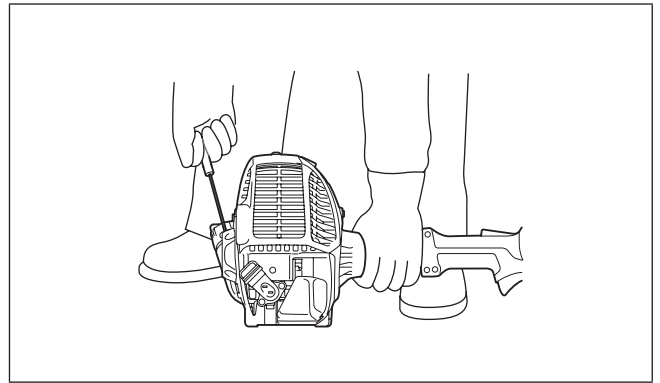
- 只能在能见度良好、阳光充足的情况下操作修边头。切勿在黑暗或大雾的时候操作修边头。
- 只能在户外通风良好的区域操作发动机。在狭小封闭或通风欠佳的区域操作可能会因窒息或一氧化碳中毒而导致死亡。
- 不得站在不平稳或易滑的表面或陡峭的坡上作业。在寒冷季节里作业时小心冰雪，务必站稳。
- 作业期间旁观人员或动物至少应距修边头 15 米远。一旦有人靠近，应立即停止电机。
- 作业前应检查工作区域有无石头或其它坚固的物体。它们可能会被弹起，引起危险的回转，导致严重受伤和/或财产损失。
- **警告：**使用本产品可引起含有化学物的灰尘，这些化学物可能引起呼吸或其他疾病。在这些化学物的某些样本中发现了农药、杀虫剂、化肥和除草剂。根据您进行该类型工作的频率，您面临这些暴露的危险也各异。要减少暴露于这些化学物的风险：在通风良好的区域作业，配戴批准的安全设备，例如专门用来过滤微粒的防尘面罩。

投入操作

- 在装配或调校设备前，应关闭电机，取下火花塞帽或电池套管。
- 搬运刀片前，应戴上防护手套。
- 启动电机前，请检查设备有无损坏、松动的螺丝/螺母或装配不当的地方。如果刀片弯曲或损坏，应予以更换。检查所有控制杆和开关是否便于操作。清洁和干燥手柄。
- 切勿在设备损坏或尚未装配妥当启动电机，否则可能导致严重受伤。
- 根据操作人员的体格调整肩带和把手。
- 检查损坏的零件 - 在进一步使用本修边头前，应先仔细检查护板或其它零件是否受损，确保能正常操作并发挥其既定功能。检查转动零件有无对准、是否卡住、零件有无断裂、固定件以及其它任何可能影响作业的情况。损坏的护板或其它零件应由授权的维修中心进行适当的维修或更换，除非本指导手册中另有规定。

启动电机

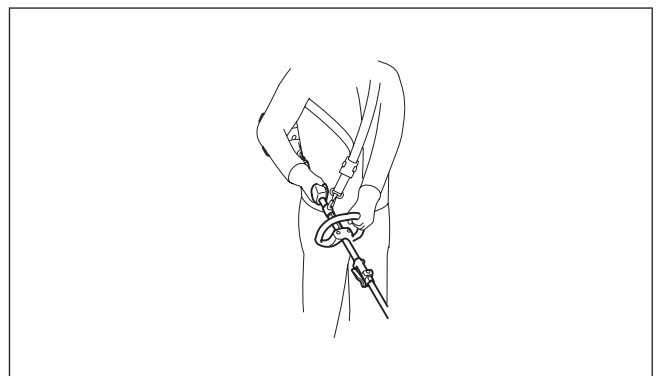
- 启动电机前配戴好个人装备。
- 启动发电机的地方应至少距离加油站 3 米（10 英尺）远。
- 在启动电机前，确保工作区域没有人或动物。
- 在启动发动机或装入电池套管时，保持刀具和导向杆不靠近您和其它物体（包括地面）。启动时，它可能会旋转，造成受伤或损坏设备和/或财产损失。
- 应将本设备放在坚实的地面上。保持设备平衡和放稳。
- 在拉动启动器按钮时，应用左手朝地面仅紧紧按住动力装置。切勿踩在动力装置的驱动轴上。



- 请遵照动力装置的指导手册启动电机。
- 如果刀具怠速时移动，请停止发动机并调慢怠速速度。

操作

- 请勿更改发动机调速器的设置或让发动机超速。
- 如果产品振动异常，立即停止电机并检查原因。振动通常是故障的警告信号。
- 任何时候离开操作位置时都要停止电机；清理刀具护板前或修理、调节或检查前，断开火花塞插头的连接。
- 从护板挡住刀具视线的位置操作产品。
- 万一发生紧急情况，应立即关闭电机。
- 如果您在操作过程中察觉到异常状况（如噪声、震动等），应关闭电机。在找出并解决原因后方可继续使用设备。
- 释放油门扳机或关闭电机后刀具会继续移动一下，请不要急于接触刀具。
- 在发动机怠速运行时连接肩带。
- 操作期间应使用肩带。应保持设备稳固地位于您的右侧。



- 不论您是惯用左手还是右手，均应用左手握住前面的手柄，用右手握住后面的把手。用拇指和其它手指握住手柄。
- 切勿单手操作设备。如果失控，会导致严重或致命的伤害。要降低受伤的风险，手脚应远离刀具。
- 切勿过度伸张。务必站稳并始终保持平衡。观察有无隐藏的障碍物如树桩、树根和沟槽，以免被绊倒。
- 不得在梯子或树上作业以免失去控制。
- 如果设备受到大力撞击或掉地，应检查其状况后再继续作业。检查燃油系统有无漏油，检查控制和安全设备有无故障。如有任何损坏或存疑，可请求牧田授权服务中心进行检查和维修。

- 切勿触摸齿轮箱。齿轮箱在操作期间会变热。
- 务必休息一会以防因疲劳引起机器失控。建议您每小时休息 10 到 20 分钟。
- 即使是离开设备一会儿，也务必关闭发动机或取下电池套筒。未经授权的人员可能会使用发动机尚在运转却无人看管的设备而造成严重事故。
- 请依照动力装置的指导手册正确使用控制杆和开关。
- 在操作时或操作后，不要将高温的设备放到干燥的玻璃或易燃材料上。
- 如果草或树枝卡在了刀具和护板之间，清洁前总是先停止发动机并取出火花塞帽或电池套管。否则，刀片意外旋转可能引起严重受伤。
- 如果刀具碰到石块或其他坚硬物体，应立即关闭电机并检查刀具。
- 操作时经常检查刀具的裂纹或损坏情况。检查前，先关闭电机并等待刀具完全停止。立即更换损坏的刀具，即使只有表面裂纹。
- 切勿在高出腰部的位置进行切割。
- 开始切割操作前，等待刀具在扣动扳机后达到一个恒定的速度。
- 斜坡时，务必注意您的脚。
- 步行，禁止跑动。
- 转向或将草坪修边机朝自己拉时请特别小心。
- 穿过不是草的表面、运输草坪修边机到要修边的区域和从该区域运输修边头时确保刀片已经停止。
- 任何时候离开草坪修边机时都要停止发动机。

刀具

- 严禁使用不适当的刀片，包括金属多片旋转链和甩刀片。这可能导致严重受伤。
- 使用刀具时，务必已正确安装了刀具护板。

振动

- 血液循环功能较差的人员暴露于过大的振动可能导致血管或神经系统受伤。振动可能导致手指、手或手腕出现下列症状：“懈怠”（麻木）、麻刺感、疼痛、刺痛感，皮肤颜色或皮肤改变。如果发生这些症状之一，请就医！
- 为减少“白指症”的风险，请在操作和良好维护设备及附件时保持手的温暖。

运输

- 在运送设备前，应关闭电机，取下火花塞帽或电池套管。拆下刀具。
- 在运输设备时，应握住轴以使其位于水平位置。高温的消音器应远离您的身体。
- 将设备放入交通工具中运输时，应进行适当的固定以免翻倒。否则会发生燃油溢出，从而损坏设备及其它物品。

维护


- 您的设备应由我们的授权服务中心进行维修，总是仅原厂更换部件。不正确的修理和低质量的维护将缩短设备寿命并增加意外事故风险。
- 在维护、修理或清洁设备前，始终应关闭电机，取下火花塞帽或电池套筒。应等待直至电机冷却。
- 为降低火灾风险，不得在火源附近维护设备。
- 在操作刀片时，应全程戴好防护手套。
- 务必清除设备上的灰尘与污物。不得使用汽油、苯、稀释剂、酒精或其它类似产品进行清洁。否则可能导致塑料部件褪色、变形或破裂。
- 每次使用后，拧紧所有螺丝螺母（化油器调校螺丝除外）。
- 切勿尝试进行本手册或动力装置指导手册中未说明的维护或修理作业。可请求牧田授权服务中心进行此类作业。
- 只能使用牧田公司的原装备件和配件。使用第三方提供的机件或配件可能导致设备故障、财产损坏和/或严重受伤。
- 请求牧田授权服务中心定期检查和维护设备。

存放

- 在存放设备前应进行彻底的清洁维护。取下火花塞帽或电池套筒。发动机变冷后，排空燃油。拆下刀具。

- 如果燃油箱必须排放，在室外进行。
- 将设备存放在干燥的、儿童触碰不到的高处或锁好的位置。
- 切勿将本机靠在墙壁等物体上，否则可能会突然掉地而造成受伤。

急救

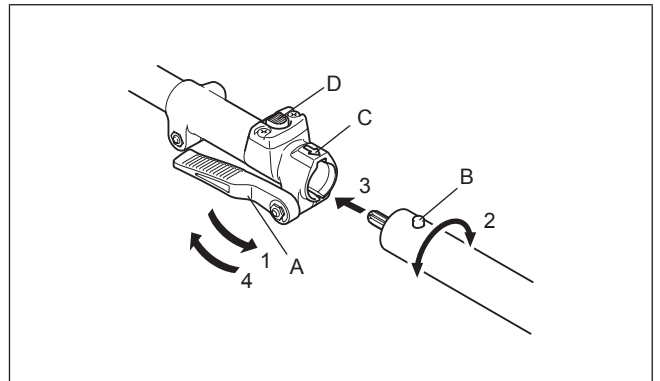
-  务必在近处准备好急救包。应立即更换从急救包中取出的物品。
- 请在求助时提供以下信息：
 - 事故地点
 - 发生了什么事
 - 受伤人数
 - 受伤的性质
 - 姓名

装配与调校

警告：

- 在装配或调校设备前，应关闭电机，取下火花塞帽或电池套管。否则刀具或其它机件可能移动而导致严重受伤。
- 搬运刀片前，应戴上防护手套。装配或调校时，手指可能会接触刀片，可能会招致严重受伤。
- 在装配或调校本机前，务必将机器放倒。在直立位置装配或调校本机可能导致严重受伤。
- 遵守“安全注意事项”一章以及动力装置指导手册中的警告和注意事项。

在动力装置上安装修边头



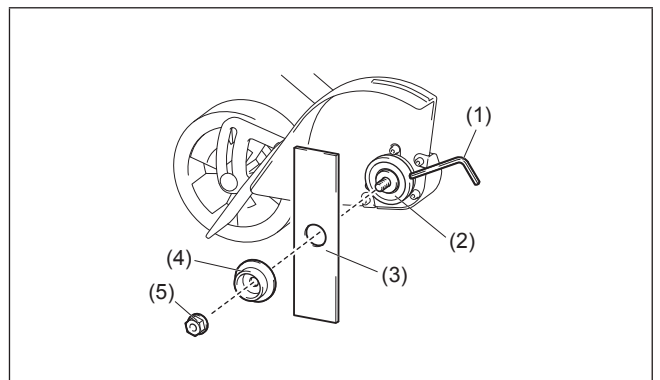
要将修边头安装在动力装置上，请执行以下步骤。

1. 确保锁杆 (A) 没有拧紧。
2. 将销子 (B) 对准箭头标记 (C)。
3. 将轴插入动力装置的驱动轴中，直至释放按钮 (D) 弹起。
4. 拧紧锁杆 (A)，如图所示。

要拆下修边头，请松开锁杆，按下锁定按钮并缩回轴。

注意：修边头的轴没有插入时，请勿拧紧锁杆 (A)。否则锁杆可能过度拧紧驱动轴的入口，造成损坏。

安装和拆除刀片



1. 转动接收垫圈 (2)，让接收垫圈上的孔与齿轮箱上的孔对齐。

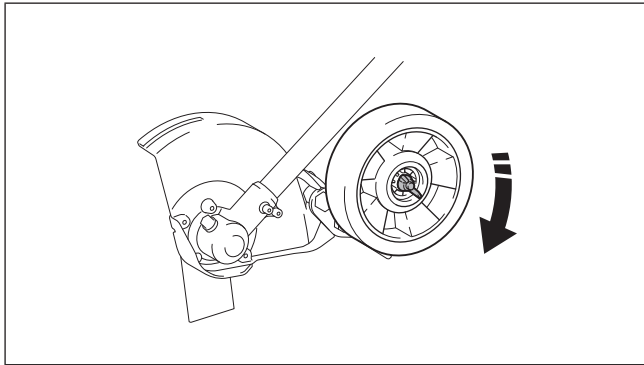
2. 将六角扳手 (1) 穿过孔。确保接收垫圈没有转动。
 3. 握住六角扳手，使用套筒扳手顺时针转动螺母 (5)。
 4. 拆下螺母和夹子 (4)。
 5. 放上刀片 (3)。
 6. 重新拧上夹子和螺母。
 7. 握住六角扳手，逆时针转动螺母以固定刀片。
- 如要拆下刀片，按相反顺序执行以上步骤。
- 注：刀片固定螺母（带弹簧垫圈）由于时间长而磨损。如果螺母有任何磨损或变形，请更换螺母。

操作

⚠ 警告：

- 如果刀具在怠速时移动，请调慢发动机怠速速度。否则不能通过关闭油门来停止刀具，可能导致严重受伤。
- 遵守“安全注意事项”一章以及动力装置指导手册中的警告和注意事项。

调节刀片深度



- 松开轮子上的螺母。
- 移动轮子并根据运行情况调节高度，然后拧紧螺母。

操作技巧

- 修边前，用水浇该区域，让地面变软，方便修边。
- 修边前，检查该区域，除去所有障碍和可能弹起的物体。
- 定期修边将保持整齐变得容易，避免工作量过大。

注：

- 因为硬质表面和草顶间高度的不同，可能需要调节刀片深度。
- 调节刀片的切割深度，使用最小刀片深度实现人行道和草之间的精细切割，通常用约 13 mm (1/2") 的刀片切割。

检查与保养

⚠ 警告：

- 在检查或维修本机前，应关闭电机，取下火花塞帽或电池套管。否则刀具或其它机件可能移动而导致严重受伤。
- 在检查或维护本机前，务必将机器放倒。在直立位置装配或调校本机可能导致严重受伤。
- 遵守“安全注意事项”一章以及动力装置指导手册中的警告和注意事项。

重磨刀具

⚠ 警告：

请勿自行重磨刀片。手动重磨会导致刀片失衡，可能引起震动，损坏设备。

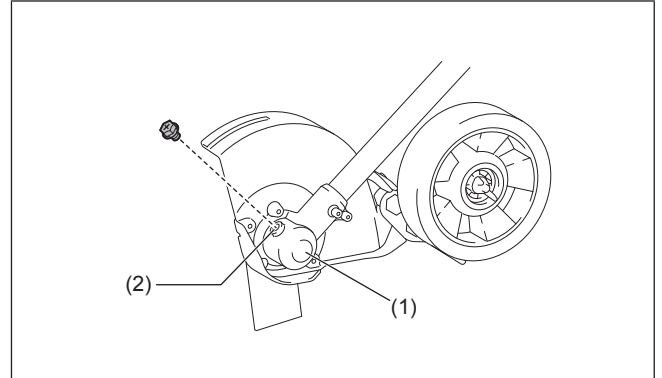
可要求牧田授权维修中心重磨和重新平衡变钝的刀片。

润滑移动机件

注意：遵守补充润滑油的频率或用量指示。否则润滑不充分会导致移动机件损坏。

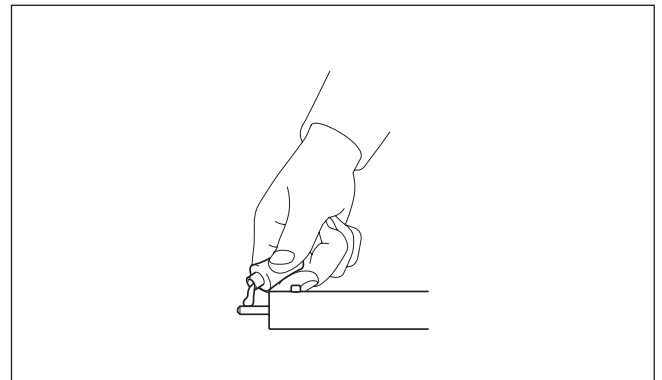
齿轮箱：

每操作 30 小时通过注油孔 (2) 向齿轮箱 (1) 补充润滑油 (Shell Alvania 2 或同等的油)。(可从当地牧田经销商处购买牧田的原厂润滑油。)



驱动轴：

每操作 30 个小时上一次润滑油 (Shell Alvania No.2 或同等润滑油)。



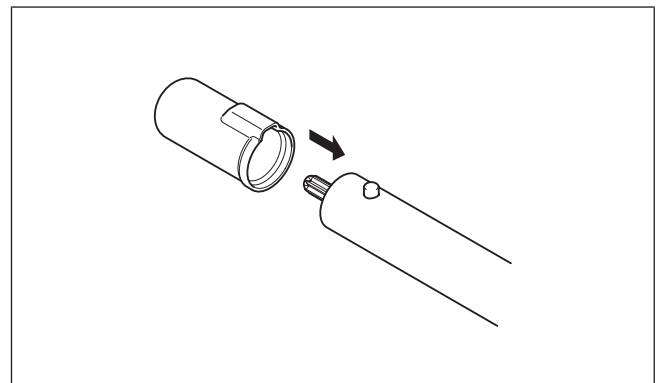
全面检查

- 拧紧松动的螺栓、螺母和螺丝。
- 检查受损机件。可请求牧田授权服务中心更换受损机件。

存放

⚠ 警告：

遵守“安全注意事项”一章以及动力装置指导手册中的警告和注意事项。



分开存放草坪修边头和动力装置时，应将罩盖放在轴的末端。

维护计划

操作小时		操作之前	每日 (10 小时)	30 小时	视需要	对应页面
整机	目视检查受损机件	○				34
所有固定螺丝和螺母	拧紧	○				34
齿轮箱	补充润滑油			○		34
驱动轴	补充润滑油			○		34
刀片	目视检查有无损坏	○	○			34
动力装置	参考动力装置的指导手册					

故障排除

问题	可能原因	解决方法
发动机没有启动。	参考动力装置的指导手册。	
发动机启动后马上停止。		
最大速度受到限制。		
刀具没有旋转。 → 马上停止电机！	刀片没有拧紧。	拧紧刀片。
	有小树枝卡在了刀片和保护装置之间。	清除异物。
	驱动系统不能正常工作。	请求牧田授权服务中心进行检查或维修。
机器振动有异常。 → 马上停止电机！	刀片弯曲、磨损或损坏。	更换新刀片。
	刀片没有拧紧。	拧紧刀片。
	刀片没有装入接收垫圈上。	正确安装刀片。
	驱动系统不能正常工作。	请求牧田授权服务中心进行检查或维修。
刀具没有停止。 → 马上停止电机！	动力装置没有正常工作。	参考动力装置的指导手册。

技术数据

型号	EE400MP	
尺寸 (长 x 宽 x 高)	mm (inch)	878 x 131 x 291 (34-1/2" x 5-1/8" x 11-1/2")
净重 (不包括保护装置和刀片)	kg (lbs)	2.4 (5.4)
切割刀片直径	mm (inch)	203 (8")
齿轮比	14/29	

目錄

	頁次
目錄.....	36
前言.....	36
符號.....	36
核准的動力裝置.....	37
零件說明.....	37
安全注意事項.....	37
組裝與調整.....	39
操作.....	40
檢查及保養.....	40
貯藏.....	40
保養週期.....	41
故障排除.....	41
技術資料.....	41

前言

非常感謝您購買Makita草坪修邊器。本組件將安裝於本說明手冊內提及的動力裝置上。
 使用前，請閱讀本手冊與動力裝置的說明手冊。這些手冊將協助您使用Makita草坪修邊器，並徹底發揮其性能。

符號

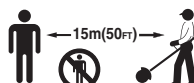
在組件上與本操作手冊中使用下列符號。請務必了解這些定義。



請特別注意小心。



閱讀說明手冊。



請淨空工作區域內的人員



請佩戴眼部及耳部護具。



戴上防護手套。



請穿上堅固的防滑鞋。建議使用護趾鋼頭安全鞋。



禁止事項！



急救

核准的動力裝置

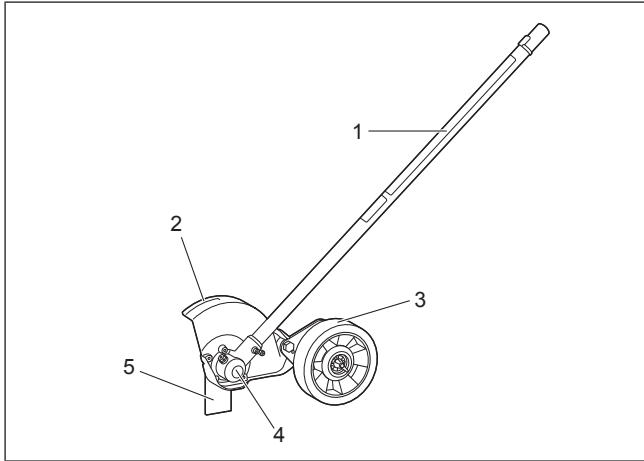
此組件只能准許使用下列動力裝置：

EX2650LH 引擎式多功能動力機
BUX360、BUX361、BUX362、UX360D、UX361D、UX362D
充電式多功能動力機
僅適用於美國和加拿大以外的國家/地區：
DUX60 充電式多功能動力機

警告：

此組件切勿使用於非核准的動力裝置。未經核准的組合可能造成嚴重的傷害。

零件說明



以下為圖中的數字編號。

1. 傳動軸
2. 刀片罩
3. 輪子
4. 變速器殼
5. 刀片

安全注意事項

警告：

請閱讀本手冊內的所有安全警告事項與說明，以及動力裝置的說明手冊。若未遵循警告事項與說明，可能會導致觸電、火災及/或嚴重受傷。

請保留所有警告與說明資訊，以供日後參考之用。

警告與注意事項中的「草坪修邊器」與「設備」指的是組件與動力裝置的組合。

警告與注意事項中的「馬達」指的是動力裝置的引擎或電氣馬達。

重要安全說明

危險—使用草坪修邊器時，請遵守基本注意事項，包括以下幾點：

- 請閱讀並遵守所有說明—請詳閱說明手冊。務必徹底熟悉所有的控制並正確的使用設備。瞭解如何停止裝置並快速解除控制。
- 穿著合適防護衣物—穿戴安全眼鏡或護目鏡。請勿穿戴寬鬆的衣服或佩戴首飾，以免被活動零件勾住。建議使用堅韌的手套與安全鞋。
- 注意安全—注意所做的工作—用常識判斷。請勿在身體疲憊或飲酒或吃藥後操作本產品。
- 注意—為減少火災危險，請確實裝回油箱蓋。
- 危險—旋轉刀具—
 - 刀片旋轉時，雙手請緊握把手。
 - 請讓雙腳遠離修邊區域。
 - 馬達運轉或刀具移動時，請勿試圖搬開修剪的材料或握著要修剪的材料。

- 從刀具清除卡住的材料時，請確定火星塞已拆下。
 - 注意—關閉後刀具仍會慣性移動。
- 請保持操作區域淨空—操作區域內應清空所有人員，尤其是幼兒和寵物。
 - 正確使用草坪修邊器—僅可修剪操作說明中所述的灌木、野草種類及相似的植物。請勿濫用本產品。請勿在雨中或潮溼的地點使用本產品。切勿讓兒童操作本產品。切勿讓無正確說明的成人操作本產品。
 - 請勿伸得太遠或站在不穩的支撐平台—請隨著站穩並保持平衡。
 - 拆下(拔下)火星塞導線—
 - 未使用時。
 - 進行維修、清潔及相似動作之前。
 - 更換配件之前。
 - 請小心保養本產品—
 - 請遵守手冊中的保養說明。
 - 為了減少火災危險，請勿讓本產品聚積過多雜草、樹葉或黃油。
 - 將本產品存放於室內—未使用時，請將產品存放於室內上鎖的乾燥之處，或是兒童無法拿取之處。
 - 請勿試圖維修本產品—
 - 請由合格的經銷商或維修人員進行維修。
 - 請注意，僅能使用相同的更換零件。

火災或受傷危險的相關說明

- 請勿赤腳或穿著拖鞋操作本產品。務必穿著安全鞋、長褲或可覆蓋住雙腿的寬鬆長褲。
- 請勿在鋪滿碎石的表面上使用本產品。
- 切勿在能見度不佳或昏暗的場所使用本產品。
- 請謹慎起動馬達。嘗試起動前，請確定所有組件皆已解開。雙手、雙腳及衣物應遠離刀具及活動零件。
- 切勿試圖在馬達運轉時進行任何調整(除非製造商具體建議)。
- 切勿修剪的材料噴到旁人，或讓任何人靠近操作區域。請謹慎導引噴出的方向，以避開玻璃罩、汽車及相似物體。
- 使用本產品時，請注意不平整的人行道、地面上的孔洞或相似的條件。在崎嶇的路上，務必慢慢推行。
- 被刀具打到的物體可能會導致人員身受重傷。在修邊前，務必謹慎檢查草坪並清除所有物體。
- 若本產品打到異物，請遵守以下步驟：
 - 1) 停止本產品。
 - 2) 拆下火星塞導線。
 - 3) 檢查是否有損壞。
 - 4) 請在重新啟動與操作本產品之前維修任何損壞。
- 運送或未使用本產品時，請解開刀具。
- 離開本產品，而無人看管時，請採取所有可能的預防措施。解開組件並停止馬達。
- 在清潔、維修或檢查時，請確定刀具及所有活動零件皆已停止。請拆下電池，或拆下火星塞導線，並讓導線遠離火星塞，以免不慎起動。
- 切勿在護具、護板或其他防護裝置未妥善定位的情況下操作本產品。
- 僅可使用隨附的配件及組件，或特別推薦搭配本產品使用的配件及組件。
- 切勿使用損壞或過度磨損的刀具來操作本產品。

用途

• 本設備僅可結合核准的動力裝置進行草坪修邊之用，切勿將組件作為其他用途之用。濫用組件可能會造成嚴重傷害。

一般注意事項

- 起動設備之前，請閱讀本手冊與動力裝置的說明手冊，以熟悉處理設備的方式。
- 請勿將本組件借予經驗不足或未充分理解設備處理方式的人員使用。
- 借出本組件時，請務必附上本說明手冊。
- 請勿讓兒童或18歲以下的青少年使用設備。請避免此年齡層的人員接近設備。
- 請務必謹慎小心使用設備。

- 絕不可在飲酒及服藥後、感到疲勞或生病時使用設備。
- 切記操作人員或使用者須對他人或其財產發生的意外事故或危險負責。
- 切勿嘗試改裝組件。
- 請確實遵照貴國法規處理設備。
- 請依工作順序，將護具妥善定位。
- 請保持刀片鋒利。
- 請讓雙手與雙腳遠離修邊區域。

個人防護裝備

- 請戴上安全防護頭盔、護目鏡及防護手套，以保護自己不被飛出的碎屑或掉落的物體砸到。



- 請戴上如耳罩等的耳部防護具，避免聽力受損。
- 請穿上可安全操作的合適衣物與鞋子，例如工作服及堅固的防滑鞋。請勿穿戴寬鬆的衣服或佩戴首飾。鬆垮的衣物、首飾或長髮會被捲入活動零件。
- 接觸刀片時，請佩戴防護手套。刀片會嚴重割傷無任何防護措施的手。

工作區域安全

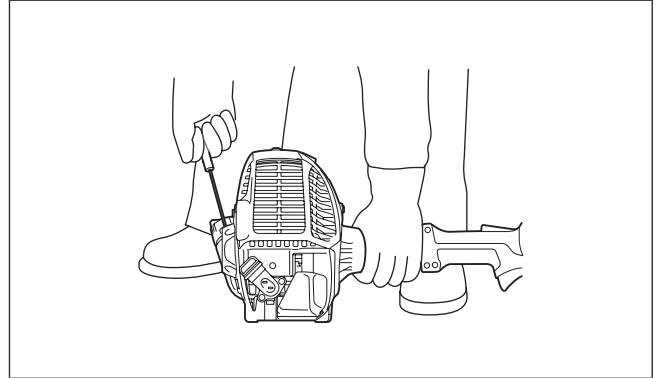
- 僅可在能見度良好與日光照明的條件下操作割草刀。請勿在黑暗或霧中操作割草刀。
- 僅可在通風良好的室外起動與操作引擎。於侷限空間或通風不良的區域內操作，會窒息或一氧化碳中毒而導致死亡。
- 操作時，切勿站在不穩固或溼滑表面，或是陡峭斜坡上。在寒冷季節中請注意冰雪，並務必確保已確實站穩。
- 操作時，旁觀者或動物至少應距離設備15公尺。一有人靠近時，請立即停止馬達。
- 操作前，請檢查工作區域內是否有石頭或其他硬物。石頭或其他硬物會被拋起，或是造成危險反彈，進而使人員嚴重受傷及/或財產損失。
- **⚠ 警告：**使用本產品時產生的粉塵，包含可能造成呼吸或其他疾病的化學物質。
部分化學物質包括在殺蟲劑、肥料及除草劑內所含的化學物質。暴露於這些物質下所產生的風險，視您進行此類型工作的時間頻率而有所不同。為減少暴露於上述化學物質的時間：於通風良好之處工作，並在工作時穿戴經核准的安全裝備，例如專為過濾微粒設計的防塵面罩。

開始操作

- 組裝或調整設備之前，請關閉馬達並卸下火星塞蓋或電池盒。
- 處理刀片前，請佩戴防護手套。
- 起動馬達之前，請檢查設備是否損壞、螺絲/螺帽是否鬆動，或是否組裝不當。若刀片彎曲或損壞，請進行更換。檢查所有控制桿及開關是否易於作動。清潔並使把手確實乾燥。
- 若設備損壞或未完全組裝完成，切勿嘗試起動馬達。否則可能會使人員嚴重受傷。
- 依據操作人員的身體尺寸，調整肩背帶與手柄。
- 檢查損壞的零件—再次使用組件前，應仔細檢查護具或其他零件，以判斷其是否能正常操作及執行功能。檢查活動零件是否有對準、是否卡住，零件是否有破損、安裝情況，以及其他可能會影響操作的情況。除手冊另有說明外，否則應由授權服務中心維修或更換損壞的護具或其他零件。

起動馬達

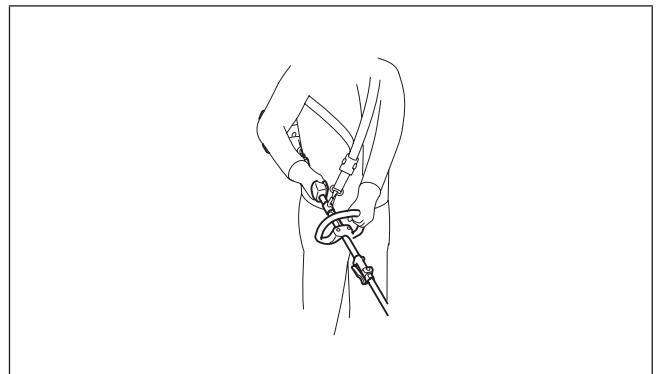
- 請在起動馬達前穿上個人防護裝備。
- 至少距離加油位置 3公尺 (10呎) 遠後再起動引擎。
- 起動馬達前，請確定工作區域內沒有任何人或動物。
- 起動引擎或插入電池盒前，請確定刀具避開您的身體與其他物體，包括地面。發動引擎時，可能因旋轉而造成設備及/或財產損壞。
- 請將設備放置於穩固的地面上。保持良好的平衡並確實站穩。
- 拉動手拉式起動器時，請靠住地面用左手確實握著動力裝置。切勿踏在動力裝置的傳動軸上。



- 請依照動力裝置的說明手冊起動馬達。
- 若刀具怠速旋轉，請停止引擎並向下調整怠速。

操作

- 請勿變更引擎調速器設定或使引擎超速運轉。
- 若本產品異常震動，請立即停止馬達並檢查原因。震動通常是警告有問題發生。
- 每次離開操作位置時，請停止馬達；請在清除刀具護具聚積的雜物之前，或在進行維修、調整或檢查時，拆下電池或火星塞導線。
- 請從護具會擋住刀具視線的位置操作本產品。
- 發生緊急情況時，請立即關閉馬達。
- 若您覺得情況不對（例如噪音、震動），請關閉馬達。在確認並解決原因之前，請勿貿然使用設備。
- 在放開油門扳機或關閉馬達後，刀具仍會持續旋轉一段時間。請勿匆促碰觸刀具。
- 在引擎怠速運轉時，請穿上肩背帶。
- 操作時，請使用肩背帶。請固定在右側操作設備。



- 無論您是左撇子或右撇子，請用左手握著前把手，然後用右手握著後手柄。請用手指與拇指握著把手周圍之處。
- 切勿嘗試單手操作設備。失控時，可能會導致人員嚴重受傷或致命。為降低受傷危險，請讓自己的手腳遠離刀具。
- 請勿伸展過長。隨時保持適當的立足點與平衡。請注意隱蔽的障礙物，例如樹樁、樹根及下水溝，以免絆倒。
- 切勿爬上梯子或樹上工作，以免失控。
- 若設備受到重重撞擊或落地，請在繼續工作之前檢查設備狀況。檢查燃油系統是否漏油，以及控制與安全裝置是否故障。若有任何損壞或懷疑，請洽詢Makita授權的服務中心進行檢驗與維修。
- 請勿碰觸變速器殼。變速器殼會在操作時變得非常燙。
- 請休息一會兒，避免應疲勞而導致失控。我們建議您每一小時休息10至20分鐘。

- 離開設備時，即便是短時間離開，請務必關閉引擎或卸下電池盒。無人照顧設備而讓引擎獨自運轉時，可能會被無授權的人員使用，並導致嚴重的意外事故。
- 請遵循動力裝置的說明手冊，以確保正確的使用控制桿與開關。
- 操作時或操作後，請勿將高溫的設備放在乾草或可燃材料上。
- 若刀具與防護具之間卡到雜草或樹枝，請務必在清潔之前停止馬達，並卸下火星塞蓋或電池盒。否則刀片意外旋轉可能導致人員身受重傷。
- 若刀具打到石子或其他堅硬物體，請立即關閉引擎並檢查刀具。
- 請在操作時經常檢查刀具，查看是否出現裂開或損壞。檢查之前，請關閉馬達，稍後刀具完全停止為止。即使是表面裂開，也請立即更換受損的刀具。
- 請勿在腰部以上除草。
- 開始除草之前，請在扣引扳機後，等到刀具達到定速為止。
- 請務必在斜坡上雙腳站穩。
- 請慢步行走，切勿奔跑。
- 反方向或朝著自己拉草坪修邊器時，請謹慎小心。
- 請確定在橫越草皮以外的表面時，以及將草坪修邊器來回帶到要修邊的區域時，刀片已停止轉動。
- 每當不使用草坪修邊器時，請停止引擎運轉。

工具

- 切勿使用不合適的刀片，包含多件樞軸式鏈條與連枷。以免使人員嚴重受傷。
- 請務必使用適合所使用刀具的刀具護具。

震動

- 血液循環不佳的人若遭受過度震動，其血管或神經系統可能會受傷。震動可能會導致手指、手部或手腕發生以下症狀：「無知覺」（麻木）、發麻、疼痛、刺痛感，或皮膚膚色改變。若出現上述任何一種症狀，請立即就醫！
- 為減少發生「白指症」的風險，請在操作時讓雙手保持暖和，並妥善保養設備及配件。

運送

- 運送設備之前，請關閉馬達並卸下火星塞蓋或電池盒。卸下刀具。
- 運送設備時，請固定傳動軸水平運送。身體請勿觸碰高溫的消聲器。
- 用車輛運送設備時，請確實固定設備以免傾覆。否則可能會濺出燃油，並損壞設備及行李。

保養

- 請交由授權的服務中心維修設備，請務必使用原廠更換零件。不當維修及保養不良會縮短設備的使用壽命，並增加發生意外事故的風險。
- 進行任何保養或維修工作或清潔設備之前，請務必關閉馬達並卸下火星塞蓋或電池盒。請等候至馬達冷卻為止。
- 為減少起火的危險，切勿在有火源的附近維修設備。
- 處理刀片時，請務必穿上防護手套。
- 請務必清潔設備的灰塵及髒汙。切勿使用石油、揮發油、稀釋劑及酒精等溶劑進行清潔。否則可能會導致塑膠零件褪色、變形或裂開。
- 每次使用後，除了化油器調整螺之外，請鎖緊所有螺絲及螺帽。
- 請勿嘗試本手冊或動力裝置說明手冊未描述的任何保養或維修工作。請洽詢 Makita 授權的服務中心進行此類工作。
- 僅可使用 Makita 原廠備料及配件。使用第三方提供的零件或配件可能會使設備損壞、財產受損及/或嚴重受傷。
- 請洽詢 Makita 授權的服務中心定期檢驗與保養設備。

貯藏

- 儲存設備之前，請徹底清潔與保養。卸下火星塞蓋或電池盒。請在引擎冷卻後再放油。卸下刀具。
- 若必須排空油箱，請在室外進行。
- 將設備貯藏在涼爽的高處，或是可上鎖遠離孩童的場所。
- 請勿將設備靠著如牆壁等物體斜放。否則設備可能突然掉落並造成傷害。

急救

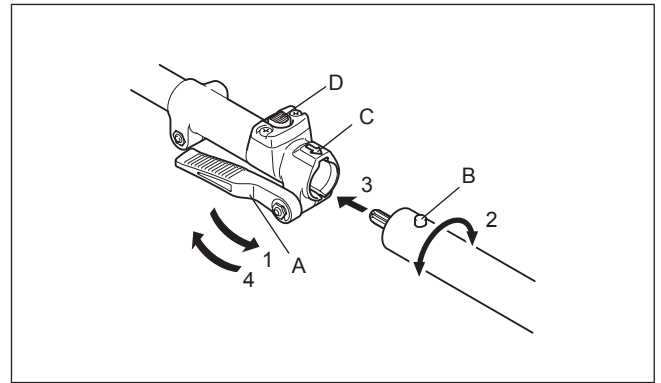
- 請務必在身旁備妥急救箱。請立即更換從急救箱拿出的任何物品。
- 求救時請提供以下資訊：
 - 事故地點
 - 事故說明
 - 受傷人數
 - 傷害性質
 - 您的姓名

組裝與調整

警告：

- 組裝或調整設備之前，請關閉馬達並卸下火星塞蓋或電池盒。否則刀具或其他零件可能會轉動，造成嚴重傷害。
- 處理刀片前，請佩戴防護手套。組裝或調整時，您的手指可能觸及刀片，且可能造成嚴重傷害。
- 組裝或調整設備時，請務必放下設備。直立組裝或調整設備可能會造成嚴重傷害。
- 請遵循「安全注意事項」章節內的警告事項與注意事項，以及動力裝置的說明手冊。

將此組件安裝到動力裝置上



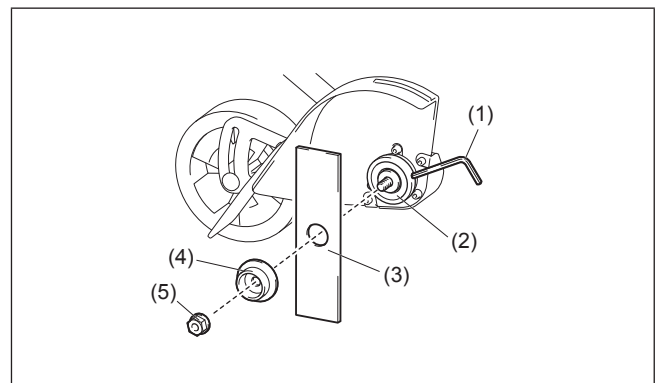
要將此組件安裝到動力裝置時，請依照下列步驟。

- 確認鎖定桿(A)未鎖緊。
- 將插銷(B)對準箭頭標記(C)。
- 將傳動軸插入動力裝置的傳動軸中，直到釋放按鈕(D)彈起。
- 鎖緊鎖定桿(A)，如圖所示。

要移除組件時，先鬆開鎖定桿，按下鎖定按鈕，然後抽出傳動軸。

注意：若組件的傳動軸未插入時，請勿鎖緊鎖定桿(A)。否則鎖定桿可能將傳動軸的入口處鎖太緊而使其損壞。

安裝與卸下刀片



- 轉動接收墊圈(2)，使接收墊圈上的孔與變速器殼上的孔對齊。
- 將內六角扳手(1)插入孔中。請確定接收墊圈未轉動。
- 握著內六角扳手，使用套筒扳手順時針轉動螺帽(5)。
- 卸下螺帽及卡箍(4)。
- 裝上刀片(3)。
- 裝回卡箍及螺帽。

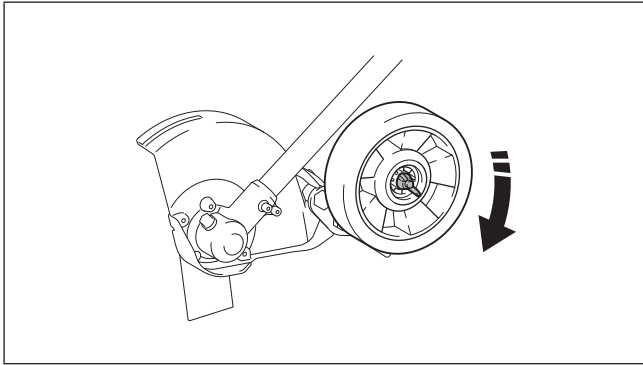
7. 握著內六角扳手，逆時針旋轉螺帽，緊固刀片。
 若要卸下刀片，請依照上述步驟的相反順序進行。
註：刀片緊固螺帽（含彈簧墊圈）會隨著時間磨損。若螺帽出現任何磨損或變形，請更換螺帽。

操作

⚠ 警告：

- 假如刀具於怠速下旋轉，請向下調整引擎速度。否則油門未關閉前，刀具無法停止，並可能造成嚴重傷害。
- 請遵循「安全注意事項」章節內的警告事項與注意事項，以及動力裝置的說明手冊。

調整刀片深度



- 鬆開輪子上的螺帽。
- 移動輪子，並根據操作調整高度，然後鎖緊螺帽。

操作提示

- 修邊時，請在要修邊的區域上灑水，使土地變軟，以利於修邊工作進行。
- 修邊之前，請檢查要修邊的區域，並清除可能被彈開的所有障礙物及物體。
- 請計劃定期修邊，以便於保持整齊的草坪邊緣，並避免必須穿越一次以上。

註：

- 刀片深度可能因為硬質地面與草頂之間的高度差需作調整。
- 請調整刀片的進刀深度，以最短的刀片深度使人行道與草皮之間形成平整的切面，通常會讓刀片切入地面 13 mm (1/2")。

檢查及保養

⚠ 警告：

- 檢查或保養設備之前，請關閉馬達並卸下火星塞蓋或電池盒。否則刀具或其他零件可能會轉動，造成嚴重傷害。
- 檢查或保養設備時，請務必放下設備。直立組裝或調整設備可能會造成嚴重傷害。
- 請遵循「安全注意事項」章節內的警告事項與注意事項，以及動力裝置的說明手冊。

重新磨尖刀具

⚠ 警告：

請勿自行磨尖刀片。若手動重新磨尖會使刀片不平衡，並可能會使設備震動與損壞。

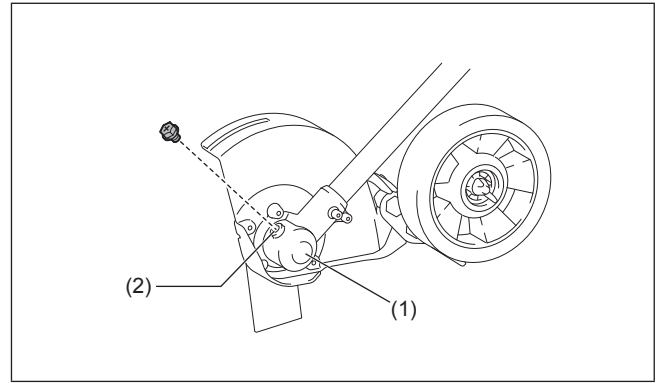
請洽詢 Makita 授權服務中心重新磨尖與調整刀片的平衡。

潤滑活動零件

注意：請遵循提供的頻率與黃油量說明。否則潤滑不足可能會損壞活動零件。

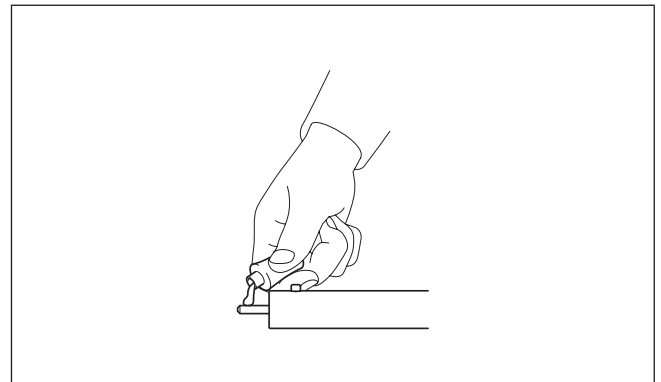
變速器殼：

每操作30個小時後，經由注油孔 (2) 供應黃油 (Shell Alvania 2 或同級油品) 給變速器殼 (1)。(自當地 Makita 經銷商購買原廠 Makita 黃油。)



傳動軸：

每操作30個小時後，塗上黃油 (Shell Alvania No. 2 或同等級黃油)。



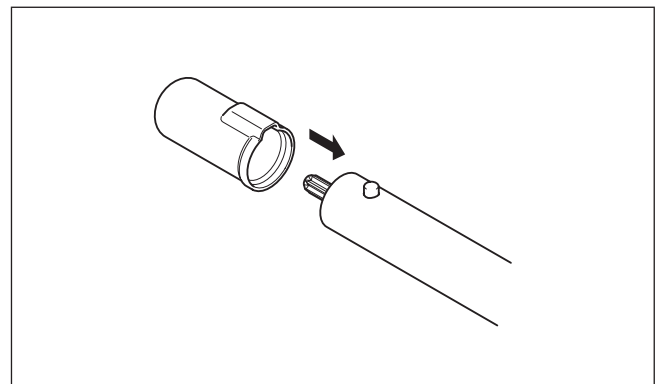
整體檢查

- 鎖緊鬆動螺栓、螺帽及螺絲。
- 檢查損壞零件。請洽詢 Makita 授權的服務中心進行更換。

貯藏

⚠ 警告：

請遵循「安全注意事項」章節內的警告事項與注意事項，以及動力裝置的說明手冊。



將草坪修邊器與動力裝置分開貯藏時，請將蓋子蓋上傳動軸的末端。

保養週期

操作時數		操作前	每日 (10 小時)	30 小時	視需要	參考頁次
整組	目視檢查是否有損壞的零件	○				40
所有固定螺絲及螺帽	鎖緊	○				40
變速器殼	注入黃油			○		40
傳動軸	注入黃油			○		40
刀片	目視檢查是否損壞	○	○			40
動力裝置	請參閱動力裝置的說明手冊					

故障排除

問題	可能的原因	解決方法
引擎未起動。	請參閱動力裝置的說明手冊。	
引擎在起動後便立即停止。		
最大速度受到限制。		
刀具未旋轉。 → 立即停止馬達！	未確實鎖緊刀片。	請確實鎖緊刀片。
	刀片與保護擋片之間卡著樹枝。	清除異物。
	傳動系統未正常運作。	請洽詢 Makita 授權的服務中心檢查或維修。
主體異常震動。 → 立即停止馬達！	刀片彎曲、磨損或斷裂。	以新刀片進行更換。
	未確實鎖緊刀片。	請確實鎖緊刀片。
	刀片未安裝於接收墊圈上。	請裝妥刀片。
	傳動系統未正常運作。	請洽詢 Makita 授權的服務中心檢查或維修。
刀具未停止。 → 立即停止馬達！	動力裝置未正常運作。	請參閱動力裝置的說明手冊。

技術資料

型號	EE400MP	
尺寸 (L × W × H)	mm (吋)	878 × 131 × 291 (34-1/2" × 5-1/8" × 11-1/2")
淨重 (不含保護擋片及刀片)	kg (lbs)	2.4 (5.4)
刀片直徑	mm (吋)	203 (8")
傳動比	14/29	

목차

	페이지
목차	42
서문	42
기호	42
승인된 동력 장치	43
부품 설명	43
안전 주의 사항	43
조립 및 조정	46
작동	46
검사 및 유지 관리	47
보관	47
유지 관리 일정	48
문제해결	48
기술 데이터	48

서문

Makita 모서리톱 어테치먼트를 구입해 주셔서 대단히 감사합니다. 본 어테치먼트는 본 사용 설명서에서 언급한 대로 Makita 동력 장치에 장착되도록 설계되었습니다. 사용하기 전에 본 책자와 동력 장치의 사용 설명서를 읽으시기 바랍니다. Makita 모서리톱 어테치먼트를 사용하여 최상의 결과를 얻는 데 도움을 줄 것입니다.

기호

다음 기호는 어테치먼트 및 본 사용 설명서에서 사용되고 있습니다. 이러한 기호의 정의를 숙지하십시오.



각별히 주의를 기울이십시오.



사용 설명서를 읽으십시오.



작업 장 근처에 사람이 없도록 하십시오



눈 및 귀 보호 장구를 착용하십시오.



방호 장갑을 착용하십시오.



미끄럼 방지 바닥으로 된 견고한 장화를 신으십시오. 스틸앞부리 안전 장화를 착용하시는 것이 좋습니다.



금지!



응급 처치

승인된 동력 장치

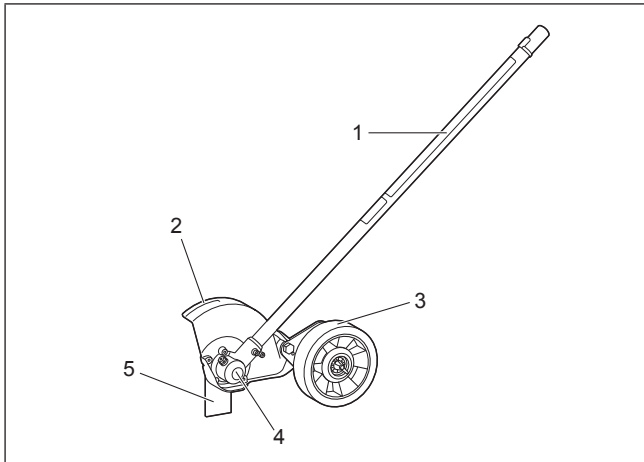
이 어태치먼트는 다음의 동력 장치와만 사용하도록 승인되었습니다.

EX2650LH 다목적 파워헤드
 BUX360, BUX361, BUX362, UX360D, UX361D, UX362D
 충전 다목적 예초기
 미국 및 캐나다 외 국가의 경우만 해당:
 DUX60 충전 다목적 예초기

⚠ 경고:

승인되지 않은 동력 장치에 이 어태치먼트를 절대로 사용하지 마십시오. 승인되지 않은 장치를 결합하면 중상을 입을 수 있습니다.

부품 설명



아래의 번호는 그림을 참조하십시오.

1. 샤프트
2. 날 케이스
3. 휠
4. 기어 케이스
5. 날

안전 주의 사항

⚠ 경고:

본 책자와 동력 장치의 사용 설명서에 있는 모든 안전 경고와 모든 지침을 숙지하십시오. 경고 및 지침을 준수하지 않으면 감전 사고 또는 화재가 발생하거나 중상을 당할 수 있습니다.

모든 경고와 지침은 다음에 참고할 수 있도록 잘 보관해 두십시오.

경고 및 주의 사항에서 “모서리톱” 및 “장비” 라는 용어는 어태치먼트와 동력 장치의 결합을 가리킵니다.
 경고 및 주의 사항에서 “모터” 라는 용어는 동력 장치의 엔진 모터 또는 전동기를 가리킵니다.

중요한 안전 수칙

위험 - 모서리톱을 사용할 때는 다음을 포함하여 기본적인 주의 사항을 준수하십시오.

- a) 모든 지침을 읽고 따라주십시오 - 사용 설명서를 주의깊게 읽으십시오. 장비의 컨트롤과 적절한 사용에 철저히 익숙해 지십시오. 장치를 멈추고 컨트롤을 신속하게 분리하는 방법에 대해 알고 있으십시오.
- b) 적절한 의복 착용 - 보호 안경 또는 고글을 착용하십시오. 헐렁한 옷이나 장신구를 착용하지 마십시오. 움직이는 부품에 끼일 수 있습니다. 튼튼한 장갑과 안전화를 사용하는 것이 좋습니다.

- c) 방심하지 말 것 - 조심해서 작업을 하고 상식을 적용하십시오. 피로하거나 알코올 또는 약을 섭취한 상태에서는 제품을 조작하지 마십시오.
- d) 주의 - 화재의 위험을 줄이려면, 가솔린 뚜껑을 안전하게 교체하십시오.
- e) 위험 - 회전하는 절삭 공구 -
 - 날이 회전하고 있을 때는 핸들을 양손으로 잡으십시오.
 - 발은 절삭 부분에서 멀리 두십시오.
 - 모터가 돌아가고 있거나 절삭 공구가 움직이고 있을 때는 절단된 물질을 제거하거나 절단할 물질을 잡고 있으려고 하지 마십시오.
 - 절삭 공구에서 걸린 물질을 청소할 때는 점화 플러그를 분리했는지 확인하십시오.
 - 주의 - 절삭 공구는 끈 후에도 관성으로 저절로 움직입니다.
- f) 작업장을 깨끗하게 유지하십시오 - 작업장 주변에 특히 어린이와 애완동물이 가까이 하지 않도록 하십시오.
- g) 모서리톱을 올바르게 사용할 것 - 사용 설명서에 설명된 것과 같이 관목의 종류, 자란 부위를 예정할 때만 사용하십시오. 제품을 함부로 다루지 마십시오. 비가 올 때 또는 물이 있는 장소에서는 제품을 사용하지 마십시오. 절대로 어린이가 제품을 조작하도록 허용하지 마십시오. 성인의 경우 절대로 적절한 지침 없이 제품을 조작하도록 하지 마십시오.
- h) 불안정한 지지대에 서 있거나 넘어오려고 하지 마십시오 - 항상 올바른 자세로 서서 균형을 유지하십시오.
- i) 점화 플러그 전깃줄을 분리하십시오(플러그를 뽑으십시오) -
 - 사용하지 않을 때.
 - 정비, 청소 등을 하기 전에.
 - 액세서리를 교환하기 전에.
- j) 주의 깊게 제품을 유지보수하십시오 -
 - 설명서에 나와 있는 유지보수 지침을 따르십시오.
 - 화재의 위험을 줄이려면, 풀, 나뭇잎 또는 기름이 제품에 지나치게 쌓이도록 하지 마십시오.
- k) 제품을 실내에 보관할 것 - 사용하지 않을 때는 제품을 건조한 곳 또는 어린이가 접근할 수 없는 실내에 보관하십시오.
- l) 제품을 수리하려고 하지 마십시오 -
 - 공인 판매점 또는 유자격 정비사가 수리하도록 하십시오.
 - 동일한 교체 부품만 사용하도록 조치하십시오.

화재 위험 또는 부상에 관한 지침

- a) 맨발이거나 발이 보이는 샌들을 신고 있을 때는 제품을 조작하지 마십시오. 항상 안전화를 신고, 바지나 다리를 덮는 슬랙스를 입으십시오.
- b) 자갈이 덮인 도로에서는 제품을 사용하지 마십시오.
- c) 잘 보이지 않거나 빛이 없는 곳에서는 제품을 조작하지 마십시오.
- d) 모터를 주의깊게 시동하십시오. 시작하려고 하기 전에 모든 부착물이 분리되었는지 확인하십시오. 손, 발 및 옷이 절삭 공구 및 움직이는 부품에 닿지 않도록 유의하십시오.
- e) 모터가 돌아가고 있을 때는 어떠한 조정을 하려고 하지 마십시오 (제조업체가 특별히 권장하는 경우 제외).
- f) 행인 쪽으로 직접 물질을 방출하거나 작업장 근처로 사람이 가까이 오지 않도록 하십시오. 유리 인클로저, 자동차 및 유사한 물체를 피하려면 직접 방류 시 각별히 주의하십시오.
- g) 제품을 사용할 때는 고르지 않은 보도, 지형의 구멍 또는 기타 유사한 상황에 대해 방심하지 마십시오. 항상 울퉁불퉁한 지면에서는 천천히 미십시오.
- h) 절삭 공구에 부딪치는 물체로 인해 심각한 부상을 입을 수 있습니다. 항상 잔디를 주의깊게 조사하고 예정하기 전에 모든 물체를 치워야 합니다.
- i) 제품이 이물질에 부딪힌 경우, 다음과 같은 단계를 따르십시오.
 - 1) 제품을 멈추십시오.
 - 2) 점화 플러그 전깃줄을 분리하십시오.
 - 3) 손상되지 않았는지 점검하십시오.
 - 4) 제품을 재시동하고 조작하기 전에 모든 손상을 수리하십시오.
- j) 제품을 운반하거나 사용하지 않을 때는 절삭 공구를 분리해 놓으십시오.
- k) 제품의 곁에 아무도 없을 때는 가능한 모든 주의를 기울이십시오. 부착물을 분리하고, 모터를 멈추십시오.

- l) 청소하거나, 수리하거나 점검할 때는, 절삭 공구와 모든 움직이는 부품이 정지되었는지 확인하십시오. 의도하지 않는 시동이 걸리지 않도록 배터리를 분리하고, 또는 전화 플러그 전선을 분리하고 플러그에 전선을 가까이 두지 마십시오.
- m) 가드, 판 또는 기타 보호 장치가 제자리에 있지 않을 때는 제품을 조작하지 마십시오.
- n) 제공된 액세서리와 부착물 또는 제품과 함께 사용하도록 특별히 권장된 액세서리만 사용하십시오.
- o) 손상되거나 과도하게 마모된 절삭 공구와 함께 제품을 조작하지 마십시오.

용도

- 이 장비는 승인된 동력 장치를 연결하여 잔디를 깎는 용도로만 제작되었습니다. 본 어태치먼트를 다른 용도로 사용하지 마십시오. 어태치먼트를 오용하면 중상을 당할 수 있습니다.

일반 주의 사항

- 장비를 시작하기 전에, 본 책자와 동력 장치의 사용 설명서를 숙지하여 장비를 취급하는 데 익숙해 지도록 하십시오.
- 장비 취급에 관하여 경험이나 지식이 충분하지 않은 사람에게 어태치먼트를 빌려주지 마십시오.
- 어태치먼트를 빌려줄 때는 항상 본 사용 설명서를 첨부하십시오.
- 어린이 또는 18세 미만의 청소년이 장비를 사용하도록 허가하지 마십시오. 장비에서 멀리 떨어져 있도록 하십시오.
- 최대한 주의하여 장비를 취급하십시오.
- 음주 또는 약을 복용한 후나 피곤하거나 아픈 경우, 장비를 사용하지 마십시오.
- 다른 사람 또는 재산에 발생한 사고나 위험은 작업자 또는 사용자가 책임이 있음을 유념하십시오.
- 절대로 어태치먼트를 변경하려고 하지 마십시오.
- 장비 취급에 대한 사용 국가의 규정을 준수하십시오.
- 가드를 제자리에 놓고 작업 순서를 유지하십시오.
- 톱날은 예리한 상태로 유지하십시오.
- 손과 발은 절삭 부분에서 멀리 두십시오.

개인 보호 장비

- 안전 헬멧, 보호 안경 및 보호 장갑을 착용하여 날아 다니는 파편 또는 떨어지는 물체로부터 보호하십시오.



- 귀 마개 등의 귀 보호 장구를 착용하여 청력 손실을 방지하십시오.
- 작업 전체 및 견고한 미끄럼 방지 신발 등 안전한 작업을 위해 적합한 의류 및 신발을 신으십시오. 헐렁한 옷이나 장식이 달린 옷을 착용하지 마십시오. 헐렁한 옷이나 장식품 또는 긴 머리는 이동 부품에 걸 수도 있습니다.
- 커팅 날을 만질 때는 방호 장갑을 착용하십시오. 커팅 날이 맨손을 심각하게 벨 수 있습니다.

작업장 안전

- 장비는 시계가 좋은 일광 조건에서만 작업하십시오. 어둡거나 안개가 낀 곳에서는 장비를 사용하지 마십시오.
- 환기가 잘 되는 실외에서만 엔진을 시동하고 작동하십시오. 좁고 사방이 막혔거나 환기가 잘 되지 않는 곳에서의 작동은 질식 또는 일산화탄소중독으로 인해 사망을 초래할 수 있습니다.
- 작동 시에는 불안정하거나 미끄러운 표면 또는 비탈진 경사면에

서 있지 마십시오. 동절기에는 얼음과 눈에 주의하고 항상 안전한 발판을 확보하십시오.

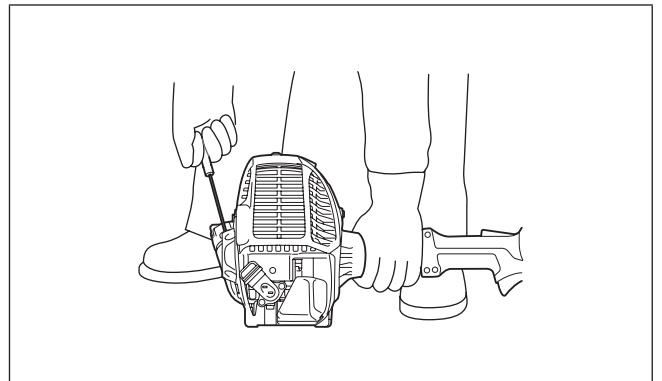
- 작동 시 구경꾼이나 동물들이 장비에서 최소 15 m 내에 있지 않도록 하십시오. 누군가가 접근하는 즉시 모터를 정지하십시오.
- 작업 전에 작업장의 돌 또는 기타 고체 물체가 없는지 조사하십시오. 떨어지거나 위험한 반동을 초래할 수 있고 심각한 부상 및/또는 재산 손해를 입을 수 있습니다.
- ⚠ 경고: 이 제품을 사용하면 호흡기 또는 기타 질병을 초래할 수 있는 화학물질이 포함되어 있는 먼지가 발생할 수 있습니다. 이러한 화학물질의 몇 가지 예는 농약, 살충제, 비료 및 제초제에서 발견되는 화합물입니다. 이러한 노출에 의한 위험은 이러한 작업을 얼마나 자주 하는가에 따라 다릅니다. 이러한 화학물질에 대한 노출을 줄이려면, 환기가 잘 되는 곳에서 작업하고 미세한 입자를 걸러 내도록 특별히 설계된 방진마스크 등 승인된 안전 장비를 갖추고 작업하십시오.

가동

- 장비를 조립하거나 조정하기 전에 모터 스위치를 끄고 전화 플러그 두껍 또는 배터리 카트리지를 제거하십시오.
- 커터 날을 취급하기 전에 방호 장갑을 착용하십시오.
- 모터를 시동하기 전에, 장비의 손상, 풀린 나사/너트 또는 잘못된 조립이 없는지 검사하십시오. 커터 날이 휘었거나 손상된 경우, 교체하십시오. 모든 컨트롤 레버 및 스위치가 쉽게 작동하는지 확인하십시오. 핸들을 청소하고 건조시킵니다.
- 장비가 손상되었거나 완전히 조립되지 않은 경우 모터를 시동하지 마십시오. 그렇지 않으면, 중상을 입을 수 있습니다.
- 어깨 벨트와 손잡이를 조정하여 작업자의 신체 크기에 맞춥니다.
- 손상된 부품 확인 - 추가로 어태치먼트를 사용하기 전에, 손상된 가드 또는 기타 부품을 주의깊게 점검하여 올바르게 작동하고 의도한 기능을 수행하고 있는지 판단하십시오. 움직이는 부품의 정렬, 움직이는 부품의 바인딩, 부품의 파손, 장착 및 작동에 영향을 미칠 수 있는 기타 모든 상태를 점검하십시오. 본 사용 설명서에 달리 명시되어 있지 않는 한 손상된 가드 또는 기타 부품은 올바르게 수리하거나 공인 서비스 센터에서 교체해야 합니다.

모터 시동

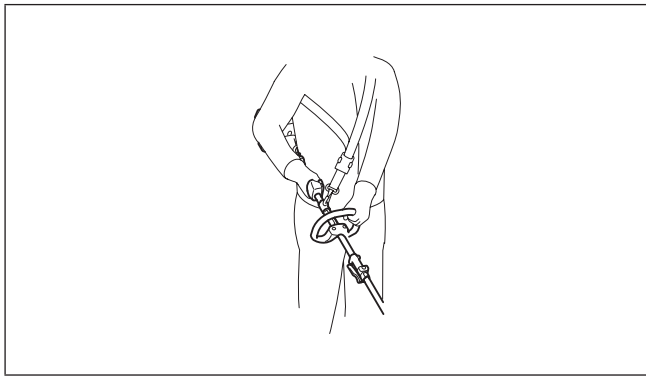
- 모터를 시동하기 전에 개인 장비를 착용합니다.
- 엔진은 연료 공급 지점에서 최소 3미터 떨어진 곳에서 시동합니다.
- 모터를 시동하기 전에 작업장에 사람이나 동물이 없는지 확인하십시오.
- 엔진을 켜거나 배터리 카트리지를 넣을 때, 절삭 날이 사용자 신체 및 지면을 포함한 기타 물체에 닿지 않도록 하십시오. 시동할 때 회전할 수 있고 장비 및/또는 재산에 부상 또는 손해를 야기할 수 있습니다.
- 단단한 지면에 장비를 놓습니다. 균형을 잘 유지하고 발판을 확보합니다.
- 스타터 노브를 당길 때 왼손으로 지면에 대해 동력 장치를 단단히 잡습니다. 동력 장치의 구동축을 밟지 마십시오.



- 모터 시동 시 동력 장치의 사용 설명서를 준수하십시오.
- 절삭 공구가 공회전하는 경우, 엔진을 멈추고 공회전 속도를 낮춥니다.

작동

- 엔진 거버너 설정을 변경하거나 엔진을 과속하지 마십시오.
- 제품이 비정상적으로 진동하는 경우, 즉시 모터를 멈추고 원인을 파악하십시오. 일반적으로 진동은 어떤 문제에 대한 경고입니다.
- 작업하는 장소를 떠날 때마다 모터를 정지시키고, 전동 공구 가드의 장애물을 없애기 전에, 또는 수리, 조정 또는 검사를 할 때는 배터리를 분리하거나 점화 플러그 전깃줄을 분리하십시오.
- 가드가 절삭 공구의 조준선을 차단하는 위치에서 제품을 조작하십시오.
- 응급 상황 시, 모터 스위치를 즉시 끄십시오.
- 작동 중에 상태가 비정상적이라고 느끼는 경우(소음, 진동 등), 모터 스위치를 끄십시오. 원인이 파악되거나 해결될 때까지 장비를 사용하지 마십시오.
- 절삭 공구는 조절판 트리거에서 손을 놓거나 모터 스위치를 끈 후 잠시 동안 계속 움직입니다. 절삭 공구를 곧바로 만지지 마십시오.
- 구동 중인 엔진이 공전할 때에만 어깨 벨트를 착용하십시오.
- 작업하는 동안 어깨 벨트를 사용하십시오. 장비를 오른쪽에 단단히 잡으십시오.



- 사용자가 오른손잡이 또는 왼손잡이든 왼손으로는 앞쪽 핸들을 잡고 오른손으로는 뒤쪽 손잡이를 잡습니다. 손가락과 엄지로 핸들 주변을 둘러쌌습니다.
- 한 손으로 장비를 작동하려고 하지 마십시오. 조절 불능으로 인해 중상 또는 치명상을 입을 수 있습니다. 부상의 위험을 줄이려면, 손과 발을 절삭 공구로부터 멀리 두십시오.
- 지나치게 뻗어 달으려고 하지 마십시오. 올바른 발판을 마련하고 항상 균형을 유지하십시오. 나무 그루터기, 뿌리 및 배수로 등 보이지 않는 장애물을 조심해서 발이 걸리지 않도록 하십시오.
- 통제가 불가능한 사다리 또는 나무 위에서 작업하지 마십시오.
- 장비가 큰 충격을 받거나 떨어진 경우, 작업을 계속하기 전에 상태를 확인하십시오. 연료 누출이 없는지 연료 계통 장치를 점검하고 컨트롤과 안전 장치에 고장이 없는지 점검하십시오. 손상이 있거나 의심되는 경우, Makita 공인 서비스 센터에 점검 및 수리를 요청하십시오.
- 기어 케이스를 만지지 마십시오. 작동 중에는 기어 케이스가 뜨거워집니다.
- 휴식을 취해 피로로 인한 조절 불능을 방지하십시오. 매 시간 10 ~ 20분 휴식을 취할 것을 권장합니다.
- 잠깐 동안이라도 장비 결을 떠날 때는 항상 엔진 스위치를 끄거나 배터리 카트리지를 제거하십시오. 엔진을 끄지 않고 장비를 방치한 상태로 두면 승인을 받지 않은 사람이 사용하여 심각한 사고를 초래할 수 있습니다.
- 컨트롤 레버 및 스위치의 적절한 사용을 위해 동력 장치의 사용 설명서를 준수하십시오.
- 작동 중 또는 작동 후에, 건조한 잔디 또는 가연성 물질 위에 뜨거운 장비를 내려 놓지 마십시오.
- 절삭 공구와 보호대 사이에 풀이나 가지가 낄 경우, 항상 모터를 정지하고 청소하기 전에 점화 플러그 캡 또는 배터리 카트리지를 제거하십시오. 그렇지 않으면 뜻하지 않은 날 회전으로 인해 중상을 입을 수 있습니다.
- 절삭 공구가 풀이나 기타 딱딱한 물체에 부딪히면, 즉시 모터 스위치를 끄고 절삭 공구를 점검하십시오.
- 작동 중에는 균열 또는 손상이 없는지 절삭 공구를 자주 확인하십시오. 점검하기 전에 모터 스위치를 끄고 절삭 공구가

- 완전히 멈출 때까지 기다리십시오. 작은 균열만 있을 지라도 손상된 절삭 공구를 즉시 교체하십시오.
- 허리 높이 위에서 절대로 자르지 마십시오.
- 절삭 작업을 시작하기 전에, 트리거를 당긴 후 절삭 공구가 일정한 속도에 다다를 때까지 기다리십시오.
- 항상 사면에 발을 딛고 서십시오.
- 걸고, 절대로 뛰지 마십시오.
- 사용자 쪽으로 모서리톱을 튀거나 당길 때는 극도로 주의하십시오.
- 잔디 외의 표면을 가로지르기 전과 작업할 영역에서 모서리톱을 운반할 때는 날이 정지했는지 확인하십시오.
- 모서리톱을 떠날 때는 항상 엔진을 끄십시오.

절삭 공구

- 금속 멀티 피스 피버팅 체인 및 마구 움직이는 날을 포함하여 부적합한 날을 절대로 사용하지 마십시오. 심각한 부상을 초래할 수 있습니다.
- 항상 사용하는 절삭 공구에 잘 맞는 절삭 공구 가드를 사용하십시오.

환기

- 과도한 진동에 노출되고 순환이 잘 안 되는 사람들은 혈관 또는 신경계 손상을 경험할 수도 있습니다. 환기는 다음과 같은 증상을 야기하여 손가락, 손 또는 손목에 “졸음” (감각을 잃음), 따끔거림, 통증, 쑤시는 느낌, 피부색 또는 피부 변화가 일어납니다. 이러한 증상이 일어나는 경우, 진찰을 받으십시오!
- “백랍병”의 위험을 줄이려면, 작동 중에 손을 따뜻하게 유지하고 장비와 액세서리를 잘 유지 관리하십시오.

운반

- 장비를 운반하기 전에, 모터 스위치를 끄고 점화 플러그 뚜껑 또는 배터리 카트리지를 제거합니다. 절삭 공구를 제거하십시오.
- 장비를 운반할 때는, 샤프트를 잡고서 수평 위치로 나르십시오. 뜨거운 머플러는 사용자의 신체로부터 멀리 유지하십시오.
- 장비를 차량으로 운반할 때는 튀어오르지 않도록 적절히 잡아매십시오. 그렇지 않으면 연료가 누출되고 장비 및 기타 짐이 손상될 수 있습니다.

유지 관리


- 당사의 공인 서비스 센터에서 장비를 정비하고, 항상 순정 교체 부품만 사용하십시오. 잘못된 수리 및 부족한 유지 관리는 장비 수명을 단축할 수 있고 사고의 위험을 높일 수 있습니다.
- 장비를 유지 관리하거나 수리 작업 또는 청소하기 전에, 모터 스위치를 끄고 점화 플러그 뚜껑 또는 배터리 카트리지를 제거합니다. 모터가 식을 때까지 기다리십시오.
- 화재의 위험을 줄이려면, 불 근처에서 장비를 정비하지 마십시오.
- 항상 커팅 날을 취급할 때는 방호 장갑을 착용하십시오.
- 항상 장비의 먼지와 때를 청소하십시오. 청소 시 휘발유, 벤진, 시너, 알코올 또는 유사 제품 등을 사용하지 마십시오. 플라스틱 부품이 변색, 변형 또는 균열이 발생할 수 있습니다.
- 매번 사용 후에는 기화기 조정 나사를 제외한 모든 나사와 너트를 조입니다.
- 본 책자 또는 동력 장치의 사용 설명서에 기술되어 있는 많은 모든 유지 관리 또는 수리를 시도하지 마십시오. 그러한 작업은 Makita 공인 서비스 센터에 문의하십시오.
- 항상 Makita 순정 예비품 및 액세서리만 사용하십시오. 타사의 부품 또는 액세서리를 사용하면 장비 고장, 재산 손해 및/또는 중상을 초래할 수 있습니다.
- Makita 공인 서비스 센터에 요청하여 장비를 정기적으로 검사하고 유지 관리하십시오.

보관

- 장비를 보관하기 전에 청소와 유지관리를 모두 수행하십시오. 점화 플러그 뚜껑 또는 배터리 카트리지를 제거합니다. 엔진의 열이 식은 후 연료를 빼십시오. 절삭 공구를 제거하십시오.
- 연료 탱크의 액체를 빼내야 하는 경우, 밖에서 하십시오.
- 장비는 어린이의 손이 닿지 않는 건조하고 높거나 자물쇠가 달린 장소에 보관하십시오.

- 벽과 같은 무언가에 기대어 세워 놓지 마십시오. 그렇지 않으면 갑자기 떨어져 부상을 입을 수 있습니다.

응급 처치

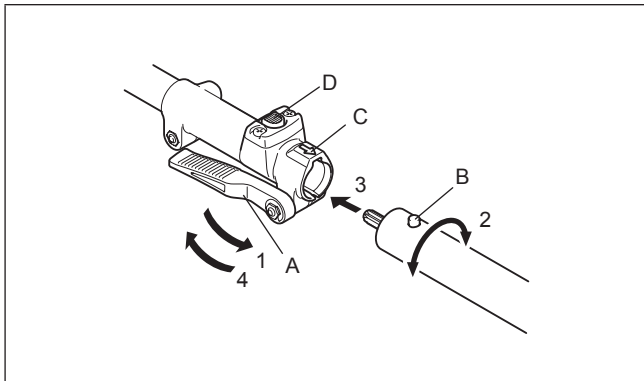
-  항상 구급상자를 근처에 두십시오. 구급상자에서 사용한 항목은 즉시 교체해 두십시오.
- 도움 요청 시에는 다음의 정보를 제공하십시오.
 - 사고 장소
 - 사고 유형
 - 부상당한 사람 수
 - 부상의 유형
 - 도움 요청자 이름

조립 및 조정

⚠ 경고:

- 장비를 조립하거나 조정하기 전에 모터 스위치를 끄고 접합 플러그 뚜껑 또는 배터리 카트리지를 제거하십시오. 그렇지 않으면, 절삭 공구 또는 기타 부품이 움직여서 중상을 입을 수 있습니다.
- 커팅 날을 취급하기 전에 방호 장갑을 착용하십시오. 조립 또는 조정할 때는 손가락이 커팅 날에 닿아 심각한 부상을 초래할 수 있습니다.
- 장비를 조립하거나 조정할 때는 항상 내려 놓으십시오. 장비를 수직 위치로 놓고 조립하거나 조정하면 심각한 부상을 입을 수 있습니다.
- “안전 주의 사항” 장과 동력 장치의 사용 설명서에 있는 경고와 주의 사항을 준수하십시오.

어테치먼트를 동력 장치에 장착



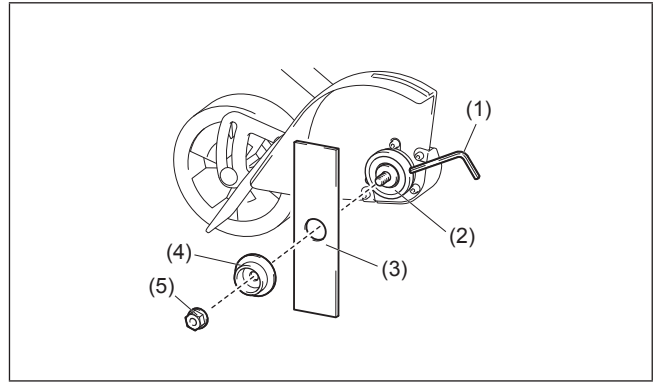
어테치먼트를 동력 장치에 장착하려면 아래의 단계를 따르십시오.

1. 잠금 레버(A)가 조여지지 않았는지 확인하십시오.
2. 핀(B)을 화살표 표시(C)에 맞추어 조정합니다.
3. 해제 버튼(D)이 푹 튀어나올 때까지 동력 장치의 구동축에 샤프트를 끼워 넣습니다.
4. 그림과 같이 잠금 레버(A)를 단단히 조입니다.

어테치먼트를 제거하려면, 잠금 레버를 풀고, 잠금 버튼을 눌러 샤프트를 집어 넣습니다.

참고: 어테치먼트의 샤프트를 넣지 않은 상태에서 잠금 레버(A)를 조이지 마십시오. 그렇지 않으면 잠금 레버가 구동축의 입구를 너무 많이 조여서 손상시킬 수 있습니다.

날 설치 및 제거



1. 리시브 와셔의 구멍이 기어 케이스의 구멍과 일치하도록 리시브 와셔(2)를 돌립니다.
2. 구멍을 통해 육각 렌치(1)를 끼웁니다. 리시브 와셔가 돌지 않는지 확인하십시오.
3. 육각 렌치를 잡고, 소켓 렌치를 사용하여 너트(5)를 시계 방향으로 돌립니다.
4. 너트와 클램프(4)를 제거합니다.
5. 날(3)을 놓습니다.
6. 클램프와 너트를 제자리에 돌려 놓습니다.
7. 육각 렌치를 잡고, 너트를 시계 반대 방향으로 돌려 날을 고정시킵니다.

날을 제거하려면 위의 단계를 역순으로 수행합니다.

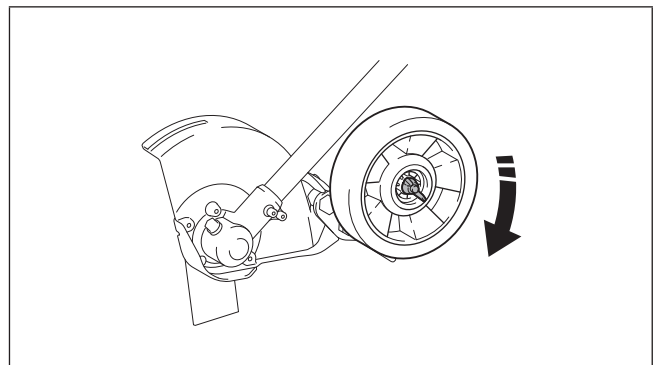
참고: 커터 날 고정 너트(스프링 와셔 포함)는 시간이 지나면 마모됩니다. 너트에 마모나 변형이 보이는 경우, 교체하십시오.

작동

⚠ 경고:

- 절삭 공구가 공회전하는 경우, 엔진의 공회전 속도를 낮춥니다. 그렇지 않으면 조절판 끝으로 절삭 공구를 정지할 수 없어 심각한 부상을 초래할 수 있습니다.
- “안전 주의 사항” 장과 동력 장치의 사용 설명서에 있는 경고와 주의 사항을 준수하십시오.

날 깊이 조정



- 휠의 너트를 풉니다.
- 휠을 이동하고 작동에 따라 높이를 조정한 다음 너트를 조입니다.

작업 조언

- 가장자리를 자르기 전에 물을 뿌려 땅을 부드럽게 하고 작업을 더 쉽게 만듭니다.
- 가장자리를 자르기 전에 작업 영역을 확인하여 모든 장애물 및 날아올 수 있는 물체를 제거합니다.
- 말끔한 가장자리를 유지하고 한 번 이상 통과할 필요가 없도록 정기적으로 가장자리 정돈 계획을 세웁니다.

참고:

날 깊이는 딱딱한 표면과 잔디 상단 사이의 높이 차이로 인해 조정해야 할 수 있습니다.

- 보도와 잔디 사이의 정교한 컷을 위해 최소의 날 깊이를 사용하여

(대개 날이 땅속으로 약 13 mm (1/2")) 날의 컷 깊이를 조정합니다.

검사 및 유지 관리

⚠ 경고:

- 장비를 검사하거나 유지보수하기 전에 모터 스위치를 끄고 점화 플러그 뚜껑 또는 배터리 카트리지를 제거하십시오. 그렇지 않으면, 절삭 공구 또는 기타 부품이 움직여서 중상을 입을 수 있습니다.
- 장비를 검사하거나 유지 관리할 때는 항상 내려 놓으십시오. 장비를 수직 위치로 놓고 조립하거나 조정하면 심각한 부상을 입을 수 있습니다.
- “안전 주의 사항” 장과 동력 장치의 사용 설명서에 있는 경고와 주의 사항을 준수하십시오.

절삭 공구를 다시 날카롭게 하십시오.

⚠ 경고:

커팅 날을 직접 날카롭게 하지 마십시오. 수동으로 다시 날카롭게 하면 커팅 날의 균형이 불안정해지고 진동 및 장비 손상을 초래할 수 있습니다.

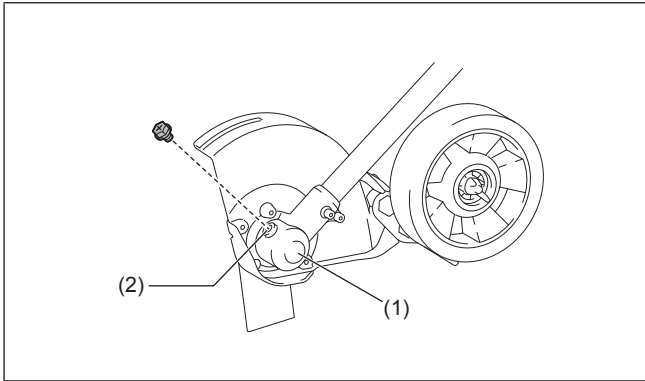
Makita 공인 서비스 센터에 요청하여 등록해진 커터 날을 다시 날카롭게 하고 균형을 잡으십시오.

움직이는 부품 윤활

참고: 제공된 윤활유의 빈도 및 양에 대한 지침을 따르십시오. 그렇지 않으면 불충분한 윤활로 인해 움직이는 부품이 손상될 수 있습니다.

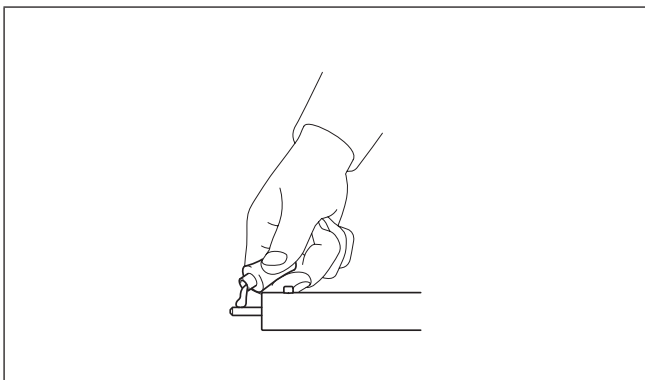
기어 케이스:

작업 매 30시간마다 윤활 구멍(2)을 통해 기어 케이스(1)를 윤활합니다(Shell Alvania 2 또는 이에 동일한 양). (순정 Makita 윤활유는 가까운 Makita 판매점에서 구입할 수 있습니다.)



구동축:

작업 매 30시간마다 윤활합니다(Shell Alvania No. 2 또는 이에 동일한 양).



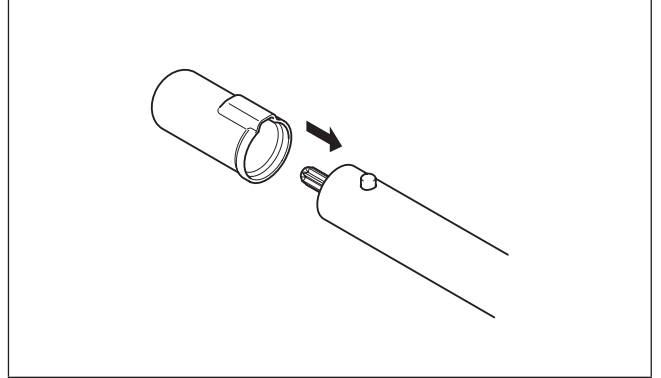
종합 검사

- 볼트, 너트 및 나사를 조입니다.
- 손상된 부품을 확인하십시오. Makita 공인 서비스 센터에 요청하여 교체하십시오.

보관

⚠ 경고:

“안전 주의 사항” 장과 동력 장치의 사용 설명서에 있는 경고와 주의 사항을 준수하십시오.



동력 장치에서 분리한 모서리톱 어태치먼트를 보관할 때는 샤프트 끝의 뚜껑을 닫으십시오.

유지 관리 일정

작동 시간		작동 전에	매일 (10 시간)	30 시간	필요할 경우	해당 페이지
전체 장치	손상된 부품에 대한 육안 검사	○				47
모든 고정 나사 및 너트	조임	○				47
기어 케이스	윤활			○		47
구동축	윤활			○		47
커터 날	손상 여부에 대해 육안 검사	○	○			47
동력 장치	동력 장치의 사용 설명서를 참조하십시오					

문제해결

문제	예상되는 원인	해결
엔진이 시동되지 않는다. 시동 후 즉시 엔진이 정지한다. 최대 속도가 제한되어 있다.	동력 장치의 사용 설명서를 참조하십시오.	
절삭 공구가 회전하지 않습니다. → 즉시 모터를 정지하십시오!	커팅 날이 확실히 조여지지 않았습니니다. 커팅 날과 보호대 사이에 작은 가지가 끼여 있습니다. 구동 시스템이 제대로 작동하지 않습니다.	커팅 날을 확실히 조이십시오. 이물질을 제거하십시오. Makita 공인 서비스 센터에 문의하여 검사하고 교체하십시오.
장치가 비정상적으로 진동한다. → 즉시 모터를 정지하십시오!	커팅 날이 구부러졌거나, 닳았거나 깨졌습니다. 커팅 날이 확실히 조여지지 않았습니니다. 커팅 날이 리시브 와셔에 장착되지 않았습니니다. 구동 시스템이 제대로 작동하지 않습니다.	커팅 날을 새 것으로 교체하십시오. 커팅 날을 확실히 조이십시오. 커팅 날을 올바르게 설치하십시오. Makita 공인 서비스 센터에 문의하여 검사하고 교체하십시오.
절삭 공구가 멈추지 않는다. → 즉시 모터를 정지하십시오!	동력 장치가 제대로 작동하지 않습니다.	동력 장치의 사용 설명서를 참조하십시오.

기술 데이터

모델	EE400MP	
크기(L x W x H)	mm (inch)	878 x 131 x 291 (34-1/2" x 5-1/8" x 11-1/2")
중량(보호 장치 및 날 미포함)	kg (lbs)	2.4 (5.4)
커팅 날 직경	mm (inch)	203 (8")
기어 비		14/29

Daftar Isi

	Halaman
Daftar Isi	49
Kata Pengantar.....	49
Simbol-simbol	49
Unit penggerak yang disetujui	50
Deskripsi komponen	50
Petunjuk keselamatan	50
Perakitan dan penyetulan.....	53
Pengoperasian	53
Pemeriksaan dan perawatan.....	54
Penyimpanan.....	54
Jadwal perawatan.....	55
Menyelesaikan Masalah.....	55
Data Teknis.....	55

Kata Pengantar

Terima kasih telah membeli alat tambahan perapi tepi rumput Makita. Alat tambahan ini dirancang untuk dipasang pada unit penggerak Makita yang disebutkan dalam petunjuk penggunaan ini. Sebelum menggunakan, bacalah buklet ini dan petunjuk penggunaan unit penggerak. Keduanya akan membantu Anda mendapatkan hasil maksimal dari alat tambahan perapi tepi rumput Makita Anda.

Simbol-simbol

Simbol-simbol berikut ini digunakan pada alat tambahan dan petunjuk penggunaan ini. Pahami definisi-definisi ini.



Perhatikan dan berhati-hatilah.



Bacalah petunjuk penggunaan.



Kosongkan tempat kerja dari orang



Kenakan pelindung mata dan telinga.



Kenakan sarung tangan pelindung.



Kenakan sepatu yang kuat dengan sol antiselip. Sepatu pengaman dengan pelindung ujung dari baja adalah yang dianjurkan.



Dilarang!



Pertolongan Pertama

Unit penggerak yang disetujui

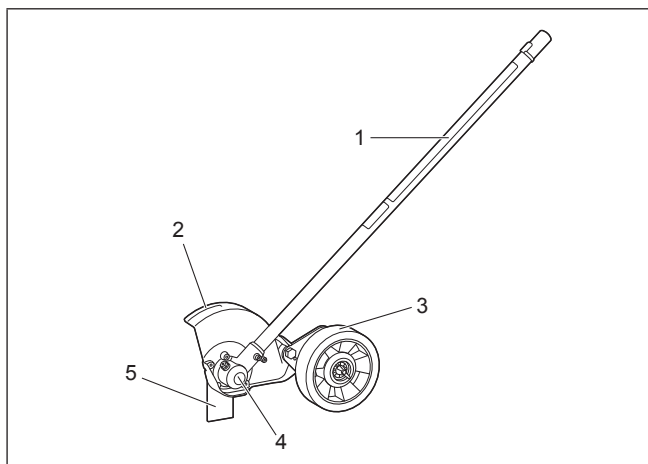
Alat tambahan ini disetujui untuk digunakan hanya dengan unit penggerak berikut ini:

**EX2650LH Mesin Penggerak Multifungsi
BUX360, BUX361, BUX362, UX360D, UX361D, UX362D
Mesin Penggerak Multifungsi Nirkabel
Hanya untuk negara-negara selain AS dan Kanada:
DUX60 Mesin Penggerak Multifungsi Nirkabel**

⚠ PERINGATAN:

Jangan sekali-kali menggunakan alat tambahan ini dengan unit penggerak yang tidak disetujui. Kombinasi yang tidak disetujui dapat menyebabkan cedera serius.

Deskripsi komponen



Angka-angka di bawah ini mengacu pada gambar.

1. Poros
2. Penutup bilah
3. Roda
4. Kotak gir
5. Bilah

Petunjuk keselamatan

⚠ PERINGATAN:

Bacalah semua peringatan keselamatan dan semua petunjuk dalam buklet ini dan dalam petunjuk penggunaan unit penggerak. Kelalaian mematuhi peringatan dan petunjuk dapat menyebabkan sengatan listrik, kebakaran dan/atau cedera serius.

Simpanlah semua peringatan dan petunjuk untuk acuan di masa mendatang.

Istilah "perapi tepi rumput" dan "alat" dalam peringatan dan petunjuk keselamatan mengacu pada kombinasi alat tambahan dan unit penggeraknya.

Istilah "motor" dalam peringatan dan petunjuk keselamatan mengacu pada mesin atau motor listrik unit penggerak.

PETUNJUK KESELAMATAN PENTING

BAHAYA – Saat menggunakan perapi tepi rumput Anda, ikuti tindakan pencegahan dasar, termasuk yang berikut ini:

- BACA DAN IKUTILAH SEMUA PETUNJUK** – Baca petunjuk penggunaan dengan teliti. Kenali dengan baik sepenuhnya semua alat pengendali dan penggunaan yang benar untuk alat ini. Ketahui cara menghentikan unit ini dan memutuskan hubungan alat pengendali dengan cepat.
- KENAKAN PAKAIAN YANG SESUAI** – Kenakan kacamata pengaman. Jangan mengenakan pakaian yang kedodoran atau perhiasan. Benda-benda itu dapat tersangkut pada komponen yang bergerak. Penggunaan sarung tangan yang kuat dan alas kaki pengaman sangat dianjurkan.
- WASPADALAH SELALU** – Perhatikan pekerjaan Anda –

gunakan akal sehat. Jangan mengoperasikan produk ini saat Anda lelah atau berada di bawah pengaruh obat-obatan atau alkohol.

- PERHATIAN** – Untuk mengurangi risiko kebakaran, pasang kembali tutup bensin dengan kencang.
- BAHAYA – ALAT PEMOTONG YANG BERPUTAR** –
 - Selalu letakkan kedua tangan pada gagang saat bilah berputar.
 - Jauhkan kaki dari area pemotongan.
 - Jangan mencoba membersihkan bahan yang telah terpotong atau memegang bahan yang akan dipotong saat motor berjalan atau ketika alat pemotong sedang bergerak.
 - Pastikan bahwa busi telah dilepas kabelnya saat membersihkan bahan yang macet dari alat pemotong.
 - PERHATIAN** – Alat pemotong masih akan berputar sendiri selama beberapa saat setelah dimatikan.
- JAGA AREA KERJA SELALU AMAN** – Jagalah area kerja selalu bebas dari orang, khususnya anak kecil dan hewan peliharaan.
- GUNAKAN PERAPI TEPI RUMPUT DENGAN BENAR** – Gunakan hanya untuk merapikan tepi semak, tetumbuhan, dan tanaman serupa sebagaimana diuraikan dalam petunjuk penggunaan. Jangan menyalahgunakan produk. Jangan menggunakan produk di bawah guyuran hujan atau lokasi yang basah. Jangan sekali-kali membiarkan anak-anak mengoperasikan produk ini. Jangan sekali-kali membiarkan orang dewasa mengoperasikan produk ini tanpa petunjuk yang benar.
- JANGAN MERAHAI TERLALU JAUH ATAU BERTDIRI DI ATAS PENOPANG YANG TIDAK STABIL** – Jagalah pijakan dan keseimbangan yang baik sepanjang waktu.
- LEPASKAN (CABUT) COP BUSI** –
 - Bila tidak digunakan.
 - Sebelum menyervis, membersihkan, dan sejenisnya.
 - Sebelum mengganti aksesoris.
- RAWAT PRODUK DENGAN SINGGUNG-SINGGUNG** –
 - Ikuti petunjuk perawatan yang diberikan dalam Petunjuk Penggunaan.
 - Untuk mengurangi risiko kebakaran, jangan biarkan rumput, daun, atau gemuk yang berlebihan terakumulasi pada produk.
- SIMPAN PRODUK DI DALAM RUANGAN** – Bila tidak digunakan, simpan produk di dalam ruangan di tempat yang kering dan terkunci atau jauh dari jangkauan anak-anak.
- JANGAN MENCoba MEMPERBAIKI PRODUK** –
 - Serahkan pekerjaan perbaikan kepada dealer atau teknisi perbaikan yang berkualifikasi.
 - Pastikan untuk menggunakan hanya suku cadang pengganti yang identik.

Petunjuk yang terkait dengan risiko kebakaran atau cedera pada orang

- Jangan mengoperasikan produk dengan kaki telanjang atau mengenakan sandal terbuka. Selalu kenakan alas kaki pengaman, dan celana panjang atau celana panjang kain yang menutupi kaki Anda.
- Jangan gunakan produk pada permukaan tanah yang tertutup batu kerikil.
- Jangan sekali-kali mengoperasikan produk ini tanpa visibilitas (daya pandang) atau cahaya.
- Hidupkan motor dengan hati-hati. Pastikan semua alat tambahan tidak tersambung sebelum mencoba menghidupkan motor. Jauhkan tangan, kaki, dan pakaian dari alat pemotong dan komponen yang bergerak.
- Jangan sekali-kali mencoba melakukan penyetulan apa pun saat motor sedang berjalan (kecuali yang secara khusus dianjurkan oleh pabrik pembuat mesin).
- Jangan sekali-kali mengarahkan buangan bahan ke arah orang di dekat Anda atau membiarkan siapa pun berada di dekat area kerja. Berhati-hatilah saat mengarahkan buangan untuk menghindari kaca, mobil, dan objek serupa.
- Waspadalah selalu terhadap trotoar yang tidak rata, lubang pada medan, atau kondisi lain yang serupa ketika menggunakan produk. Selalu dorong perlahan-lahan di atas tanah yang kasar.
- Benda yang tertabrak oleh alat pemotong dapat menyebabkan cedera parah pada orang. Lapangan rumput harus selalu diperiksa dengan cermat dan dibersihkan dari semua benda setiap kali sebelum dirapikan tepinya.
- Jika produk ini menabrak benda asing, ikuti langkah-langkah berikut ini:

- 1) Matikan produk.
 - 2) Lepaskan (cabut) cop busi.
 - 3) Periksa dari kerusakan.
 - 4) Perbaiki setiap kerusakan sebelum menghidupkan kembali dan mengoperasikan produk.
- j) Lepaskan alat pemotong ketika produk sedang diangkat atau tidak digunakan.
 - k) Ambil semua tindakan pencegahan yang mungkin bila meninggalkan produk tanpa ditunggu. Lepaskan alat tambahan, dan matikan motornya.
 - l) Ketika membersihkan, memperbaiki, atau memeriksa, pastikan bahwa alat pemotong dan semua bagian yang bergerak telah berhenti. Lepaskan baterai, atau lepaskan kabel busi, dan jauhkan kabel dari busi sehingga mesin tidak akan terhidupkan secara tidak disengaja.
 - m) Jangan sekali-kali mengoperasikan produk tanpa dipasang pelindung, pelat, atau perangkat pelindung lainnya.
 - n) Gunakan hanya aksesoris dan alat tambahan yang disertakan atau secara khusus dianjurkan untuk digunakan bersama produk.
 - o) Jangan mengoperasikan produk dengan alat pemotong yang rusak atau sangat aus.

Maksud penggunaan

- Alat ini hanya dimaksudkan untuk merapikan tepi halaman rumput bersama dengan unit penggerak yang disetujui. Jangan sekali-kali menggunakan alat tambahan ini untuk tujuan lain. Menyalahgunakan alat tambahan dapat menyebabkan cedera serius.

Langkah pengaman umum

- Sebelum menghidupkan alat ini, bacalah buklet ini dan petunjuk penggunaan unit penggerak untuk membiasakan diri dengan penanganan alat ini.
- Jangan meminjamkan alat tambahan ini kepada orang yang kurang pengalaman atau pengetahuan tentang penanganan alat ini.
- Saat meminjamkan alat tambahan, selalu serahkan juga petunjuk penggunaan ini.
- Jangan izinkan anak-anak atau orang muda yang berusia kurang dari 18 tahun menggunakan alat. Jauhkan mereka dari alat.
- Tangani alat dengan kehati-hatian dan perhatian maksimal.
- Jangan sekali-kali menggunakan alat setelah mengonsumsi alkohol atau obat, atau jika merasa lelah atau sakit.
- Selalu ingat bahwa operator atau pengguna bertanggung jawab atas kecelakaan atau bahaya yang terjadi pada orang lain atau harta benda mereka.
- Jangan sekali-kali mencoba memodifikasi alat tambahan ini.
- Patuhilah peraturan tentang penanganan alat ini di negara Anda.
- Jaga agar pelindung terpasang di tempatnya dan berfungsi dengan baik.
- Jagalah bilah selalu tajam.
- Jauhkan tangan dan kaki dari area pemotongan.

Alat pelindung diri

- Kenakan helm pengaman, kacamata pelindung, dan sarung tangan pelindung untuk melindungi diri Anda dari serpihan yang beterbangan atau benda yang jatuh.



- Kenakan pelindung telinga seperti penutup telinga untuk mencegah gangguan pendengaran.
- Kenakan pakaian dan sepatu yang sesuai untuk penggunaan yang aman, seperti pakaian kerja terusan dan sepatu antiselip

yang kuat. Jangan mengenakan pakaian yang kedodoran atau perhiasan. Pakaian kedodoran, perhiasan, atau rambut panjang dapat tersangkut pada bagian yang bergerak.

- Saat menyentuh bilah pemotong, kenakan sarung tangan pelindung. Bilah pemotong dapat melukai tangan telanjang dengan sangat parah.

Keselamatan tempat kerja

- Operasikan alat hanya dalam kondisi pandangan dan sinar matahari yang baik. Jangan mengoperasikan alat dalam kegelapan atau kondisi berkabut.
- Starter dan operasikan mesinnya hanya di luar ruangan dan di tempat yang berventilasi baik. Pengoperasian di tempat yang tertutup atau berventilasi buruk dapat mengakibatkan kematian akibat kehabisan napas atau keracunan karbon monoksida.
- Selama mengoperasikan, jangan sekali-kali berdiri di atas permukaan yang tidak stabil atau licin atau di lereng yang curam. Dalam musim dingin, awaslah terhadap es dan salju dan selalu pastikan pijakan yang aman.
- Selama mengoperasikan, jauhkan orang lain atau binatang paling tidak 15 m dari alat. Hentikan motor segera bila ada orang yang mendekati.
- Sebelum mengoperasikan, periksa tempat kerja dari adanya batu atau benda padat lainnya. Benda-benda demikian dapat terlempar atau menyebabkan tendang-balik yang berbahaya dan mengakibatkan cedera serius dan/atau kerusakan harta benda.
- ⚠ PERINGATAN:** Penggunaan produk ini dapat menimbulkan debu yang mengandung bahan kimia, yang dapat menyebabkan penyakit pernapasan atau penyakit lainnya. Beberapa contoh bahan kimia ini adalah senyawa yang ada dalam pestisida, insektisida, pupuk, dan herbisida. Risiko Anda terkena keterpaparan ini berbeda-beda, tergantung pada seberapa sering Anda melakukan jenis pekerjaan ini. Untuk mengurangi keterpaparan Anda terhadap bahan-bahan kimia ini: bekerjalah di tempat yang berventilasi baik, dan dengan menggunakan peralatan keselamatan yang disetujui, seperti masker debu yang secara khusus dirancang untuk menyaring partikel mikroskopis.

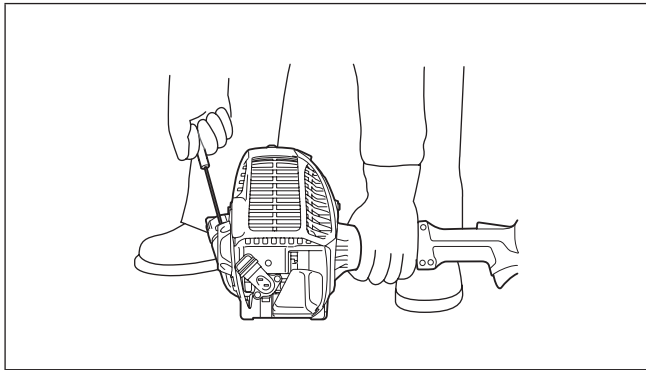
Mengoperasikan

- Sebelum merakit atau menyetel alat, matikan motor dan lepaskan cop busi atau kartrid baterainya.
- Sebelum menangani bilah pemotong, kenakan sarung tangan pelindung.
- Sebelum menghidupkan motor, periksa alat dari kerusakan, sekrup/mur yang kendur atau perakitan yang tidak benar. Jika bilah pemotong tertekuk/bengkok atau rusak, gantilah. Periksa apakah semua tuas pengendali dan sakelar dapat dengan mudah dioperasikan. Bersihkan dan keringkan semua gagang.
- Jangan sekali-kali mencoba menghidupkan motor jika alat rusak atau belum dirakit lengkap. Ini dapat mengakibatkan cedera serius.
- Setel tali bahu dan pegangan tangan sesuai dengan ukuran tubuh operator.
- Periksa bagian yang rusak - Sebelum menggunakan alat tambahan lebih jauh, pelindung atau bagian lain yang rusak harus diperiksa dengan teliti untuk menentukan apakah alat itu dapat berjalan normal dan menjalankan fungsinya. Periksa kelurusan bagian bergerak, kemacetan bagian bergerak, adanya bagian yang pecah, pemasangan, dan kondisi lain yang mungkin dapat mempengaruhi pengoperasian. Pelindung atau bagian lain yang rusak harus diperbaiki atau diganti oleh pusat servis resmi kecuali jika dinyatakan boleh diperbaiki di tempat lain dalam petunjuk penggunaan ini.

Menghidupkan motor

- Kenakan alat pribadi sebelum menghidupkan motor.
- Hidupkan mesin paling tidak 3 meter (10 kaki) dari tempat pengisian bahan bakar.
- Sebelum menghidupkan motor, pastikan tidak ada orang atau binatang di tempat kerja.
- Saat menghidupkan mesin atau memasukkan kartrid baterai, jauhkan alat pemotong dari tubuh Anda dan benda lain, termasuk tanah. Komponen ini dapat berputar saat mesin dihidupkan/distarter dan dapat menyebabkan cedera atau kerusakan pada alat dan/atau harta benda.
- Tempatkan alat di atas tanah yang stabil. Pertahankan keseimbangan yang baik dan pijakan yang aman.
- Saat menarik kenop starter, tahan unit penggerak kuat-kuat di

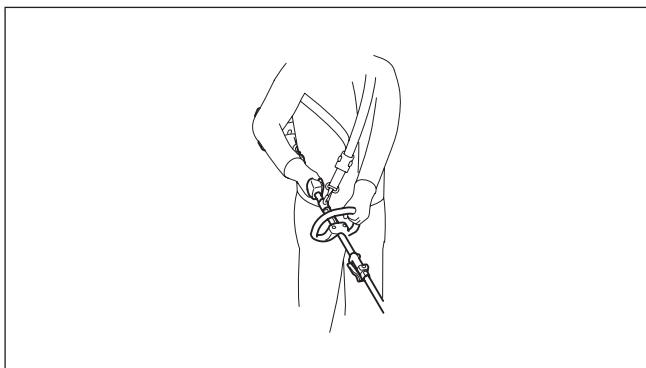
atas tanah dengan tangan kiri. Jangan sekali-kali menginjak poros penggerak unit penggerak.



- Ikuti petunjuk penggunaan unit penggerak untuk menghidupkan motor.
- Jika alat pemotong ikut berputar saat mesin berjalan stasioner, matikan mesin dan turunkan kecepatan stasioner.

Pengoperasian

- Jangan mengubah setelan governor mesin atau menaikkan kecepatan mesin terlalu tinggi.
- Jika produk bergetar secara tidak normal, segera matikan motornya, dan cari penyebabnya. Getaran umumnya merupakan peringatan akan adanya masalah.
- Hentikan motor setiap kali Anda meninggalkan posisi pengoperasian, lepaskan baterai atau cabut cop busi sebelum membersihkan kemacetan pelindung alat pemotong, atau ketika melakukan perbaikan, penyetelan, atau pemeriksaan.
- Operasikan produk dari posisi di mana pelindung memblokir garis bidik alat pemotong.
- Apabila terjadi keadaan darurat, matikan motor dengan segera.
- Jika Anda merasakan kondisi yang tidak biasa (misalnya kebisingan, getaran) selama mengoperasikan, matikan motor. Jangan gunakan alat sampai penyebabnya diketahui dan dibereskan.
- Alat pemotong terus berputar selama beberapa saat setelah picu gas dilepas atau motor dimatikan. Jangan tergesa-gesa menyentuh alat pemotong.
- Dengan mesin hanya berjalan stasioner, pasang tali bahu.
- Selama mengoperasikan, gunakan tali bahu. Pertahankan alat di sisi kanan Anda kuat-kuat.



- Pegang gagang depan dengan tangan kiri dan pegangan belakang dengan tangan kanan, entah Anda bertangan normal ataupun kidal. Lingkarkan jari dan ibu jari Anda pada gagang.
- Jangan sekali-kali mencoba mengoperasikan alat dengan satu tangan. Kehilangan kendali dapat mengakibatkan cedera serius atau fatal. Untuk mengurangi risiko cedera, selalu jauhkan tangan dan kaki dari alat pemotong.
- Jangan meraih terlalu jauh. Pertahankan pijakan dan keseimbangan yang baik setiap saat. Awasliah terhadap rintangan tersembunyi seperti tunggak pohon, akar, dan selokan agar Anda tidak tersandung jatuh.
- Jangan sekali-kali bekerja di atas tangga atau pohon untuk menghindari kehilangan kendali.
- Jika alat terkena benturan keras atau terjatuh, periksa kondisinya sebelum melanjutkan bekerja. Periksa sistem bahan bakar dari kebocoran dan tuas-tuas pengendali serta perangkat pengaman dari malfungsi. Jika ada kerusakan atau Anda

ragu-ragu, mintalah pusat servis resmi Makita memeriksa dan memperbaikinya.

- Jangan menyentuh kotak gir. Kotak gir menjadi panas selama alat dioperasikan.
- Beristirahatlah untuk mencegah kehilangan kendali akibat kelelahan. Kami menganjurkan istirahat selama 10 sampai 20 menit setiap satu jam bekerja.
- Bila Anda meninggalkan alat, meskipun untuk waktu yang singkat, selalu matikan mesinnya atau lepaskan kartrid baterainya. Alat yang tidak ditunggu dengan mesin berjalan dapat digunakan oleh orang yang tidak berwenang dan menyebabkan kecelakaan serius.
- Ikuti petunjuk penggunaan unit penggerak untuk penggunaan tuas pengendali dan sakelar yang benar.
- Selama atau setelah dioperasikan, jangan letakkan alat yang panas di atas rumput kering atau bahan mudah terbakar.
- Jika ada rumput atau ranting yang tersangkut di antara alat pemotong dan pelindung, selalu matikan motor dan lepaskan cop busi atau kartrid baterainya sebelum membersihkan. Jika tidak, bilah dapat berputar secara tidak disengaja dan menyebabkan cedera serius.
- Jika alat pemotong mengenai batu atau benda keras lainnya, segera matikan motornya dan periksa alat pemotong.
- Periksa alat pemotong sering-sering selama digunakan dari adanya retakan atau kerusakan. Sebelum memeriksa, matikan motor dan tunggu sampai alat pemotong berhenti sepenuhnya. Ganti segera alat pemotong yang rusak, meskipun hanya retak pada permukaannya.
- Jangan sekali-kali memotong pada ketinggian di atas pinggang.
- Sebelum memulai pekerjaan pemotongan, tunggulah sampai alat pemotong mencapai kecepatan konstan setelah menarik picunya.
- Selalu pastikan keamanan pijakan Anda di atas permukaan yang miring.
- Berjalanlah, jangan berlari.
- Berikan perhatian ekstra saat membalik atau menarik perapi tepi rumput ke arah Anda.
- Pastikan bilah telah berhenti sebelum menyeberangi permukaan selain rumput dan ketika mengangkat perapi tepi rumput ke dan dari area rumput yang dirapikan tepinya.
- Hentikan mesin setiap kali Anda meninggalkan perapi tepi rumput.

Alat pemotong

- Jangan sekali-kali menggunakan bilah yang tidak sesuai termasuk rantai logam putar multi-keping dan bilah perontok (flail blade). Penggunaan bilah demikian dapat mengakibatkan cedera serius.
- Selalu gunakan pelindung alat pemotong yang sesuai untuk alat pemotong yang digunakan.

Getaran

- Orang dengan kondisi sirkulasi kurang yang terpapar pada getaran berlebihan dapat mengalami cedera pada pembuluh darah atau sistem syarafnya. Getaran dapat menyebabkan timbulnya gejala-gejala berikut ini pada jari, tangan, atau pergelangan tangan: "Mati rasa" (baal), kesemutan, nyeri, sensasi seperti tertusuk, perubahan kulit atau warna kulit. Jika ada di antara gejala ini yang timbul, hubungi dokter!
- Untuk mengurangi risiko "white finger disease" (penyakit jari putih), jaga tangan Anda selalu hangat saat mengoperasikan mesin dan rawat mesin serta aksesorinya dengan baik.

Pengangkutan

- Sebelum mengangkat alat, matikan motor dan lepaskan cop busi atau kartrid baterainya. Lepaskan alat pemotong.
- Saat mengangkat alat, bawalah dalam posisi horizontal dengan memegang porosnya. Jauhkan knalpot yang panas dari tubuh Anda.
- Bila mengangkat alat dalam kendaraan, amankan alat dengan kuat agar tidak terbalik. Jika sampai terbalik, bahan bakar dapat tumpah dan alat serta muatan bagasi yang lain dapat rusak.

Perawatan

- Serviskan peralatan Anda pada pusat servis resmi kami, dan selalu gunakan suku cadang pengganti yang asli. Reparasi yang keliru dan perawatan yang buruk dapat memperpendek usia pakai alat dan meningkatkan risiko kecelakaan.
- Sebelum melakukan pekerjaan pemeliharaan atau perbaikan


pada alat atau membersihkan alat, selalu matikan motor dan lepaskan cop busi atau kartrid baterainya. Tunggu sampai motor menjadi dingin.

- Untuk mengurangi risiko kebakaran, jangan sekali-kali menyervis alat di dekat api.
- Selalu kenakan sarung tangan pelindung saat menangani bilah pemotong.
- Selalu bersihkan debu dan kotoran dari alat. Jangan sekali-kali menggunakan bensin, tiner, alkohol, atau bahan sejenisnya untuk maksud tersebut. Penggunaan bahan demikian dapat menyebabkan perubahan warna dan bentuk serta timbulnya retakan pada komponen plastik.
- Setiap kali setelah digunakan, kencangkan semua sekrup dan mur, kecuali sekrup-sekrup penyetelan karburator.
- Jangan mencoba melakukan pekerjaan pemeliharaan atau perbaikan yang tidak diuraikan dalam buklet ini dan dalam petunjuk penggunaan unit penggerak. Mintalah pusat servis resmi Makita melakukan pekerjaan demikian.
- Selalu gunakan hanya suku cadang dan aksesori asli Makita. Menggunakan suku cadang atau aksesori yang dipasok oleh pihak ketiga dapat mengakibatkan kerusakan alat, kerugian harta benda dan/atau cedera serius.
- Mintalah pusat servis resmi Makita memeriksa dan merawat alat pada interval yang teratur.

Penyimpanan

- Sebelum menyimpan alat, lakukan pembersihan dan pemeliharaan menyeluruh. Lepaskan cop busi atau kartrid baterai. Keluarkan seluruh bahan bakar setelah mesin dingin. Lepaskan alat pemotong.
- Jika tangki bahan bakar harus dikosongkan, lakukan hal ini di luar ruangan.
- Simpanlah alat di tempat yang kering dan tinggi atau terkunci, yang tidak bisa dijangkau anak-anak.
- Jangan menyandarkan alat pada sesuatu, seperti dinding. Jika disandarkan, alat dapat tiba-tiba jatuh dan menyebabkan cedera.

Pertolongan pertama

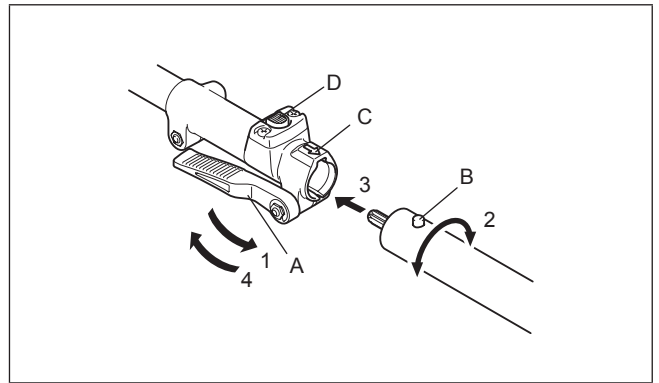
-  Sediakan selalu perangkat pertolongan pertama di dekat Anda. Segera ganti setiap barang yang diambil dari kotak pertolongan pertama.
- Saat meminta bantuan, berikanlah informasi berikut ini:
 - Tempat kecelakaan
 - Apa yang telah terjadi
 - Jumlah orang yang cedera
 - Sifat cedera
 - Nama Anda

Perakitan dan penyetelan

PERINGATAN:

- Sebelum merakit atau menyetel alat, matikan motor dan lepaskan cop busi atau kartrid baterainya. Jika tidak, alat pemotong atau komponen lain dapat bergerak dan mengakibatkan cedera serius.
- Sebelum menangani bilah pemotong, kenakan sarung tangan pelindung. Selama merakit atau menyetel alat, jari Anda dapat mengenai bilah pemotong, dan itu dapat menyebabkan cedera serius.
- Saat merakit atau menyetel alat, selalu letakkan alat. Merakit atau menyetel alat yang berdiri tegak dapat mengakibatkan cedera serius.
- Patuhi peringatan dan langkah pengaman dalam bab "Petunjuk keselamatan" dan petunjuk penggunaan unit penggerak.

Memasangkan alat tambahan pada unit penggerak

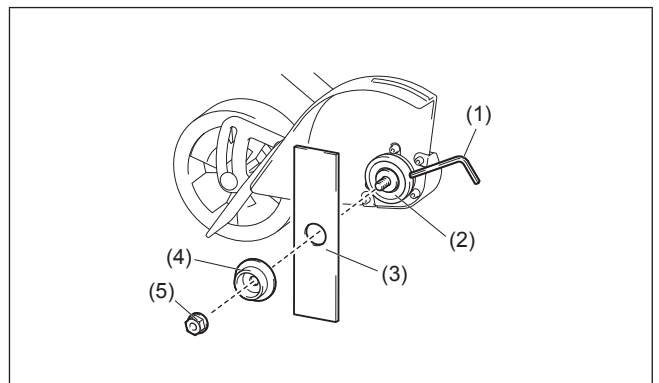


Untuk memasang alat tambahan pada unit penggerak, ikuti langkah-langkah di bawah ini.

1. Pastikan bahwa tuas kunci (A) tidak dikencangkan.
2. Luruskan pasak (B) dengan tanda panah (C).
3. Masukkan poros ke dalam poros penggerak unit penggerak sampai tombol pelepas (D) menyembul naik.
4. Kencangkan tuas kunci (A) dengan kuat seperti diperlihatkan. Untuk melepas alat tambahan, kendurkan tuas kunci, tekan tombol kunci dan tarik poros.

PEMBERITAHUAN: Jangan mengencangkan tuas kunci (A) bila tidak ada poros alat tambahan yang dimasukkan. Bila itu dilakukan, tuas kunci dapat mengencangkan lubang masuk poros penggerak terlalu kuat dan merusaknya.

Memasang dan melepas bilah



1. Putar cincin penerima (2) sehingga lubang pada cincin penerima terluruskan dengan lubang pada kotak gir.
2. Masukkan kunci hex (1) melalui lubang. Pastikan cincin penerima tidak berputar.
3. Sambil menahan kunci hex, putar mur (5) searah jarum jam dengan kunci soket.
4. Lepaskan mur dan klem (4).
5. Tempatkan bilah (3).
6. Kembalikan klem dan mur.
7. Sambil menahan kunci hex, putar mur berlawanan arah jarum jam untuk mengencangkan bilah.

Untuk melepaskan bilah, lakukan langkah-langkah di atas secara terbalik.

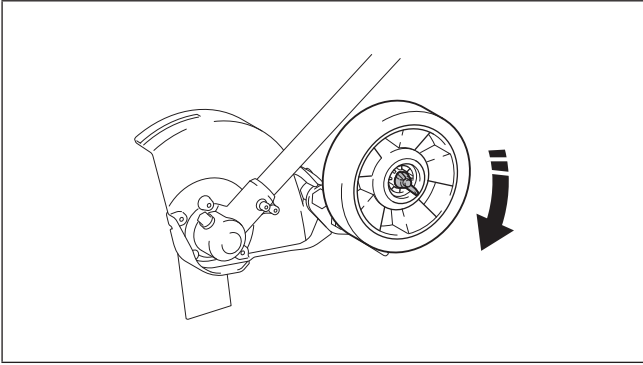
CATATAN: Mur pengencang bilah pemotong (dengan cincin pegas) akan aus sejalan dengan waktu. Jika mur sudah terlihat aus atau berubah bentuk, gantilah.

Pengoperasian

PERINGATAN:

- Jika alat pemotong ikut bergerak saat mesin berjalan stasioner, turunkan kecepatan stasioner mesin. Jika tidak, Anda tidak akan dapat menghentikan alat pemotong dengan mematikan gas dan hal itu dapat menyebabkan cedera serius.
- Patuhi peringatan dan langkah pengaman dalam bab "Petunjuk keselamatan" dan petunjuk penggunaan unit penggerak.

Menyetel kedalaman bilah



- Kendurkan mur pada roda.
- Gerakkan roda dan setel ketinggiannya sesuai dengan pengoperasian, lalu kencangkan murnya.

Kiat pengoperasian

- Sebelum memangkas tepi, siram area yang akan digarap dengan air untuk melunakkan tanah dan membuat pemangkasan tepi lebih mudah.
- Sebelum memangkas tepi, periksa area kerja dan bersihkan dari semua halangan dan benda yang dapat terlempar.
- Rencanakan pekerjaan pemangkasan tepi secara rutin untuk memudahkan pemeliharaan tepi yang rapi dan menghindari keharusan memangkas lebih dari sekali dalam sekali pemangkasan.

CATATAN:

Kedalaman bilah mungkin harus disesuaikan karena adanya perbedaan ketinggian antara permukaan keras dan permukaan atas rumput.

- Setel kedalaman pemotongan bilah untuk menghasilkan potongan yang halus antara trotoar dan rumput menggunakan kedalaman bilah minimum, biasanya dengan bilah sekitar 13 mm (1/2") ke dalam tanah.

Pemeriksaan dan perawatan

⚠ PERINGATAN:

- Sebelum memeriksa atau merawat alat, matikan motor dan lepaskan cop busi atau kartrid baterainya. Jika tidak, alat pemotong atau komponen lain dapat bergerak dan mengakibatkan cedera serius.
- Saat memeriksa atau merawat alat, selalu letakkan alat. Merakit atau menyetel alat yang berdiri tegak dapat mengakibatkan cedera serius.
- Patuhi peringatan dan langkah pengaman dalam bab "Petunjuk keselamatan" dan petunjuk penggunaan unit penggerak.

Menajamkan kembali alat pemotong

⚠ PERINGATAN:

Jangan mengasah sendiri bilah pemotong. Pengasahan manual membuat bilah pemotong tidak seimbang dan hal itu dapat menimbulkan getaran serta kerusakan pada alat.

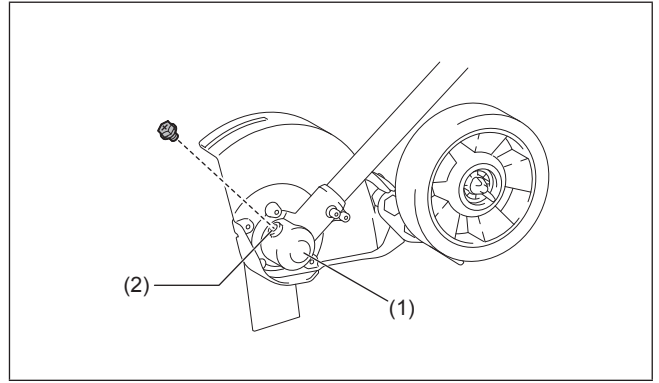
Mintalah pusat servis resmi Makita mengasah dan menyeimbangkan kembali bilah pemotong yang tumpul.

Melumasi komponen-komponen bergerak

PEMBERITAHUAN: Patuhilah petunjuk mengenai frekuensi dan jumlah gemuk yang digunakan. Jika tidak, pelumasan yang tidak memadai dapat membuat komponen-komponen yang bergerak rusak.

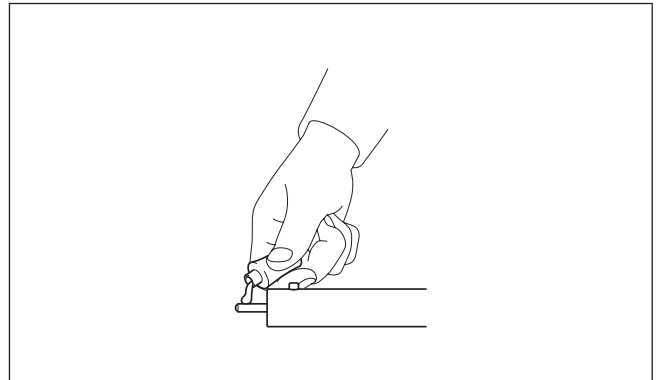
Kotak gir:

Masukkan gemuk (Shell Alvania 2 atau setara) ke kotak gir (1) melalui lubang gemuk (2) setiap 30 jam penggunaan. (Gemuk asli Makita dapat dibeli dari dealer Makita setempat.)



As penggerak:

Beri gemuk (Shell Alvania No.2 atau setara) setiap 30 jam penggunaan.



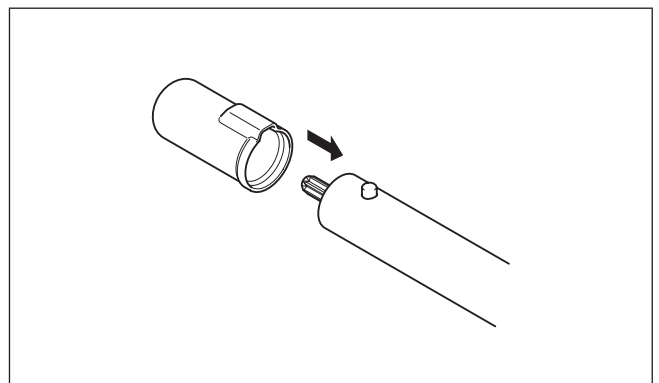
Pemeriksaan keseluruhan

- Kencangkan baut, mur, dan sekrup yang kendur.
- Periksa dari adanya komponen yang rusak. Mintalah pusat servis resmi Makita menggantinya.

Penyimpanan

⚠ PERINGATAN:

Patuhi peringatan dan langkah pengaman dalam bab "Petunjuk keselamatan" dan petunjuk penggunaan unit penggerak.



Bila menyimpan alat tambahkan perapi tepi rumput secara terpisah dari unit penggerak, pasang penutup pada ujung porosnya.

Jadwal perawatan

Jam penggunaan		Sebelum Menggunakan	Harian (10 jam)	30 jam	Jika perlu	Halaman yang sesuai
Keseluruhan unit	Periksa secara visual dari adanya komponen yang rusak	○				54
Semua sekrup dan mur pemasangan	Kencangkan	○				54
Kotak gir	Beri gemuk			○		54
As penggerak	Beri gemuk			○		54
Bilah pemotong	Periksa secara visual dari kerusakan	○	○			54
Unit penggerak	Rujuklah petunjuk penggunaan unit penggerak					

Menyelesaikan Masalah

Masalah	Kemungkinan penyebab	Pemecahan
Mesin tidak mau hidup.	Rujuklah petunjuk penggunaan unit penggerak.	
Mesin langsung mati setelah hidup.		
Kecepatan maksimum terbatas.		
Alat pemotong tidak berputar. → Hentikan motor segera!	Bilah pemotong tidak dikencangkan dengan kuat.	Kencangkan bilah pemotong kuat-kuat.
	Ada ranting tersangkut di antara bilah pemotong dan pelindung.	Bersihkan objek yang tersangkut.
	Sistem penggerak tidak berfungsi dengan baik.	Mintalah pusat servis resmi Makita memeriksa dan memperbaikinya.
Unit bergetar tidak normal. → Hentikan motor segera!	Bilah pemotong bengkok, aus, atau patah.	Ganti bilah pemotong dengan yang baru.
	Bilah pemotong tidak dikencangkan dengan kuat.	Kencangkan bilah pemotong kuat-kuat.
	Bilah pemotong tidak terpasang pada cincin penerima.	Pasang bilah pemotong dengan benar.
	Sistem penggerak tidak berfungsi dengan baik.	Mintalah pusat servis resmi Makita memeriksa dan memperbaikinya.
Alat pemotong tidak mau berhenti. → Hentikan motor segera!	Unit penggerak tidak berfungsi dengan baik.	Rujuklah petunjuk penggunaan unit penggerak.

Data Teknis

Model		EE400MP
Dimensi (P x L x T)	mm (inci)	878 x 131 x 291 (34-1/2" x 5-1/8" x 11-1/2")
Berat bersih (Tidak termasuk pelindung dan bilah)	kg (lb)	2,4 (5,4)
Diameter bilah pemotong	mm (inci)	203 (8")
Rasio roda gigi		14/29

Nội dung

	Trang
Nội dung	56
Lời nói đầu.....	56
Ký hiệu	56
Dụng cụ máy được phê duyệt.....	57
Mô tả bộ phận.....	57
Lưu ý an toàn	57
Lắp ráp và điều chỉnh	60
Vận hành	60
Kiểm tra và bảo dưỡng.....	60
Cất giữ.....	61
Lịch bảo dưỡng	62
Khắc phục sự cố.....	62
Dữ liệu Kỹ thuật.....	62

Lời nói đầu

Cảm ơn bạn rất nhiều vì đã mua phụ kiện kèm theo máy xới đất của Makita. Phụ kiện này được thiết kế để gắn trên dụng cụ máy Makita có đề cập đến trong tài liệu hướng dẫn này. Trước khi sử dụng, vui lòng đọc cuốn sách nhỏ này và tài liệu hướng dẫn về dụng cụ máy. Những tài liệu này sẽ giúp bạn đạt được kết quả làm việc tốt nhất có thể từ phụ kiện kèm theo máy xới đất của Makita.

Ký hiệu

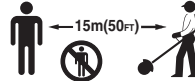
Các ký hiệu sau được sử dụng trên phụ kiện và tài liệu hướng dẫn này. Hiểu những định nghĩa này.



Cần đặc biệt chú ý và cẩn thận.



Đọc tài liệu hướng dẫn.



Không để người ở trong khu vực làm việc



Đeo thiết bị bảo vệ tai và mắt.



Đeo găng tay bảo hộ.



Đi ủng cứng với đế không trơn trượt. Khuyến cáo đi ủng bảo hộ được ốp thép ở ngón chân.



Bị cấm!



Sơ cứu

Dụng cụ máy được phê duyệt

Phụ kiện này được phê duyệt để chỉ sử dụng với (các) dụng cụ máy sau đây:

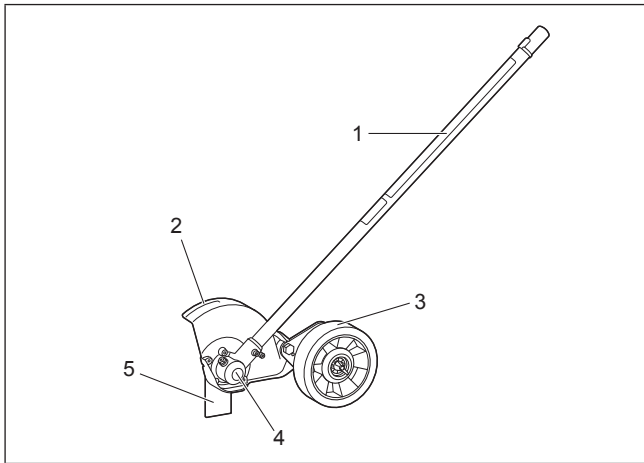
EX2650LH Đầu máy đa năng
BUX360, BUX361, BUX362, UX360D, UX361D, UX362D

Bộ phận đầu đa năng của máy chạy pin
Chỉ dành cho các quốc gia khác ngoài Hoa Kỳ và Canada:
DUX60 Bộ phận đầu đa năng của máy chạy pin

⚠ CẢNH BÁO:

Không sử dụng phụ kiện này với dụng cụ máy không được phê duyệt. Kết hợp không được phê duyệt có thể gây ra thương tích nghiêm trọng.

Mô tả bộ phận



Những con số dưới đây đề cập đến hình minh họa.

1. Trục
2. Hộp lưỡi cắt
3. Bánh xe
4. Hộp chạy dao
5. Lưỡi cắt

Lưu ý an toàn

⚠ CẢNH BÁO:

Đọc tất cả cảnh báo an toàn và các hướng dẫn trong cuốn sách nhỏ này và hướng dẫn sử dụng dụng cụ máy. Không tuân theo các cảnh báo và hướng dẫn có thể dẫn đến điện giật, hỏa hoạn và/hoặc thương tích nghiêm trọng.

Lưu giữ tất cả cảnh báo và hướng dẫn để tham khảo sau này.

Thuật ngữ “máy xới đất” và “thiết bị” trong các cảnh báo và lưu ý để cập tới sự kết hợp giữa phụ kiện và dụng cụ máy. Thuật ngữ “máy” trong cảnh báo và lưu ý đề cập đến động cơ hoặc động cơ điện của dụng cụ máy.

HƯỚNG DẪN AN TOÀN QUAN TRỌNG

NGUY HIỂM – Khi bạn sử dụng máy xới đất, hãy tuân thủ các biện pháp phòng ngừa cơ bản, gồm cả những điều sau:

- ĐỌC VÀ TUÂN THỦ TẤT CẢ CÁC HƯỚNG DẪN** – Hãy đọc kỹ sách hướng dẫn sử dụng. Tìm hiểu thấu đáo các bộ điều khiển và cách sử dụng thiết bị phù hợp. Nắm bắt cách dừng thiết bị và ngắt nhanh bộ điều khiển.
- TRANG PHỤC PHÙ HỢP** – Đeo kính bảo hộ. Không mặc quần áo rộng hay đeo đồ trang sức. Chúng có thể vướng vào các bộ phận đang di chuyển. Bạn nên sử dụng găng tay và giày bảo hộ cứng cáp.
- LUÔN CẢNH GIÁC** – Chú tâm vào việc bạn đang làm – vận dụng tri thức. Không vận hành sản phẩm khi bạn thấy mệt mỏi hoặc chịu tác động của chất cồn hoặc thuốc.
- THẬN TRỌNG** – Để giảm bớt nguy cơ cháy, hãy thay nắp bình xăng một cách an toàn.
- NGUY HIỂM – DỤNG CỤ CẮT QUAY** – Đặt cả hai tay lên tay cầm khi lưỡi cắt đang quay.

- Để chân cách xa khu vực cắt.
 - Không thử lấy vật liệu cắt ra hay giữ vật liệu cần cắt khi máy đang chạy hoặc khi dụng cụ cắt đang di chuyển.
 - Bảo đảm rằng bu-gi được tháo ra khi bạn lấy vật liệu bị kẹt ra khỏi dụng cụ cắt.
 - **THẬN TRỌNG** – Dụng cụ cắt vẫn chạy theo đà sau khi tắt.
- GIỮ QUANG KHU VỰC LÀM VIỆC** – Không để bất kỳ đối tượng nào ở trong khu vực làm việc, nhất là trẻ nhỏ và thú nuôi.
 - SỬ DỤNG MÁY XỚI ĐẤT ĐÚNG CÁCH** – Chỉ sử dụng thiết bị để xới các loại bụi, cây dại và các loại tương tự được mô tả trong hướng dẫn vận hành. Không sử dụng sản phẩm sai cách. Không sử dụng sản phẩm khi trời mưa hoặc ở nơi ẩm ướt. Không được để trẻ em vận hành sản phẩm. Không được để người trưởng thành vận hành sản phẩm khi người đó chưa được hướng dẫn đúng cách.
 - KHÔNG VỚI TAY HOẶC ĐỨNG TRÊN NỀN KHÔNG VỮNG CHẮC** – Luôn giữ thăng bằng và tư thế đứng thích hợp.
 - THÁO (RÚT) DÂY BU-GI** –
 - Khi không sử dụng.
 - Trước khi tiến hành bảo trì, vệ sinh và các công việc tương tự.
 - Trước khi thay phụ kiện.
 - BẢO DƯỠNG SẢN PHẨM CẦN THẬN** –
 - Tuân thủ các hướng dẫn bảo dưỡng được cung cấp trong Sách hướng dẫn này.
 - Để giảm bớt nguy cơ cháy, không để cỏ, lá hay mỡ tích tụ quá nhiều trên sản phẩm.
 - BẢO QUẢN SẢN PHẨM TRONG NHÀ** – Khi không sử dụng, hãy bảo quản sản phẩm trong nhà, ở nơi khô ráo, có khóa hoặc có biện pháp khác để trẻ em không tiếp cận được.
 - KHÔNG THỬ SỬA CHỮA SẢN PHẨM** –
 - Để đại lý hoặc thợ sửa máy có chuyên môn thực hiện việc sửa chữa.
 - Bảo đảm rằng phụ tùng thay thế phải giống hệt phụ tùng trước.

Các hướng dẫn có liên quan đến nguy cơ cháy hoặc thương tích cá nhân

- Không vận hành máy khi đi chân trần hoặc đi dép hở ngón. Luôn đi giày bảo hộ, quần dài hoặc quần chùng để che chân.
- Không sử dụng sản phẩm trên các bề mặt có sỏi.
- Không được vận hành sản phẩm khi thiếu sáng hoặc không có tầm nhìn.
- Khởi động máy cẩn thận. Bảo đảm rằng tất cả các phụ kiện đều được tháo ra trước khi bạn thử khởi động. Để tay, chân và quần áo cách xa dụng cụ cắt và các bộ phận đang chuyển động.
- Không được thử điều chỉnh bất kỳ thứ gì khi máy đang chạy (trừ trường hợp được nhà sản xuất khuyến cáo cụ thể).
- Không được đẩy trực tiếp vật liệu về phía người đứng ngoài và không được để bất kỳ ai lại gần khu vực làm việc. Chú ý hướng đẩy trực tiếp để tránh cửa kính, xe cộ và các vật thể tương tự.
- Luôn cảnh giác để tránh vĩa hè không bằng phẳng, các lỗ trong khu đất hoặc các điều kiện tương tự trong khi sử dụng sản phẩm. Luôn đẩy máy chậm rãi trên khu đất mấp mô.
- Các vật thể bị dụng cụ cắt đập vào có thể gây ra thương tích cá nhân nghiêm trọng. Bạn cần luôn kiểm tra bãi cỏ cẩn thận và loại bỏ mọi vật thể trước khi xới đất.
- Nếu sản phẩm va phải vật thể lạ, hãy làm theo các bước sau:
 - 1) Dừng sản phẩm.
 - 2) Tháo dây bu-gi.
 - 3) Tìm kiếm chỗ hư hỏng.
 - 4) Sửa chữa tất cả các chỗ hư hỏng trước khi khởi động lại và vận hành sản phẩm.
- Tháo dụng cụ cắt ra khi sản phẩm được vận chuyển hoặc không được sử dụng.
- Thực hiện tất cả các biện pháp phòng ngừa có thể làm khi rời xa khỏi sản phẩm. Tháo phụ kiện và dừng máy.
- Trong khi vệ sinh, sửa chữa hay kiểm tra, hãy bảo đảm rằng dụng cụ cắt và tất cả các bộ phận chuyển động đều đã dừng lại. Tháo pin hoặc rút dây bu-gi, và giữ dây cách xa bu-gi để tránh trường hợp vô tình khởi động máy.
- Không được vận hành sản phẩm khi tầm chắn, tấm bảo vệ hay các thiết bị bảo vệ khác không được lắp đúng chỗ.
- Chỉ sử dụng phụ kiện và phụ tùng được cung cấp hoặc được khuyến dùng rõ ràng với sản phẩm.
- Không vận hành sản phẩm với dụng cụ cắt bị hư hỏng hoặc bị mòn quá mức.

Mục đích sử dụng

- Thiết bị này chỉ dùng để xới thảm cỏ kết hợp với dụng cụ máy được phê duyệt. Không sử dụng phụ kiện này cho mục đích khác. Lạm dụng phụ kiện này có thể gây thương tích nghiêm trọng.

Lưu ý chung

- Trước khi sử dụng thiết bị, hãy đọc cuốn sách nhỏ này và tài liệu hướng dẫn về dụng cụ máy để làm quen với việc sử dụng thiết bị.
- Không cho những người thiếu kinh nghiệm hoặc kiến thức mượn dùng phụ kiện này.
- Khi cho phụ kiện, phải luôn gửi kèm tài liệu hướng dẫn này.
- Không cho phép trẻ em hoặc người dưới 18 tuổi sử dụng thiết bị. Giữ họ tránh xa thiết bị.
- Sử dụng thiết bị này hết sức cẩn trọng và tập trung.
- Không được dùng thiết bị này sau khi sử dụng cồn hoặc ma túy, hoặc khi cảm thấy mệt mỏi hoặc đau ốm.
- Ghi nhớ rằng người vận hành hoặc người dùng đều phải chịu trách nhiệm về bất kỳ tai nạn hoặc mối nguy hiểm nào xảy ra với người khác hoặc tài sản của họ.
- Không cố gắng sửa đổi phụ kiện.
- Tuân theo những quy định về sử dụng thiết bị ở nước bạn.
- Giữ các bộ phận bảo vệ ở đúng vị trí và ở trình tự làm việc.
- Giữ cho lưỡi cắt được sắc.
- Giữ tay và chân ở ngoài khu vực cắt.

Thiết bị bảo hộ cá nhân

- Đội mũ bảo hộ, đeo kính và găng tay bảo hộ để bảo vệ cơ thể khỏi các mảnh vụn bắn vào hoặc các vật thể rơi xuống.



- Đeo thiết bị bảo vệ tai như bao bịt tai để tránh bị mất thính giác.
- Mặc quần áo và đi giày phù hợp để vận hành an toàn, chẳng hạn như quần áo bảo hộ lao động và giày cứng không trơn trượt. Không mặc quần áo rộng hay đeo đồ trang sức. Quần áo rộng, đồ trang sức hay tóc dài có thể mắc vào các bộ phận chuyển động.
- Đeo bao tay bảo hộ khi chạm vào lưỡi cắt. Lưỡi cắt có thể gây ra vết thương nặng cho tay không có bảo hộ.

An toàn tại nơi làm việc

- Chỉ vận hành thiết bị trong điều kiện có ánh sáng ban ngày và tầm nhìn tốt. Không vận hành thiết bị khi trời tối hoặc có sương mù.
- Chỉ khởi động và vận hành động cơ ở ngoài trời trong khu vực thông gió tốt. Vận hành trong khu vực thông gió kém hoặc hạn chế có thể dẫn đến tử vong do nghẹt thở hoặc nhiễm độc khí oxit cacbon.
- Trong khi vận hành, không được đứng trên bề mặt trơn trượt hoặc không vững chắc hoặc sườn dốc. Trong mùa lạnh, hãy chú ý băng và tuyết đồng thời luôn đảm bảo có chỗ để chân chắc chắn.
- Trong khi vận hành, yêu cầu người đứng ngoài hoặc động vật cách xa thiết bị ít nhất 15 m. Dừng máy ngay sau khi có ai đó đến gần.
- Trước khi vận hành, kiểm tra khu vực làm việc để xem có đá hoặc các vật cứng khác không. Dụng cụ có thể bị văng ra hoặc có nguy cơ bị đẩy ngược hoặc gây thương tích và/hoặc thiệt hại về tài sản.
- ⚠ CẢNH BÁO:** Việc sử dụng sản phẩm này có thể tạo ra bụi chứa các chất hóa học, chúng có thể gây ra các vấn đề về hô hấp hoặc các bệnh khác. Một số ví dụ về các chất hóa học là các hợp chất được tìm thấy

trong thuốc trừ sâu, thuốc diệt côn trùng, phân bón và thuốc diệt cỏ.

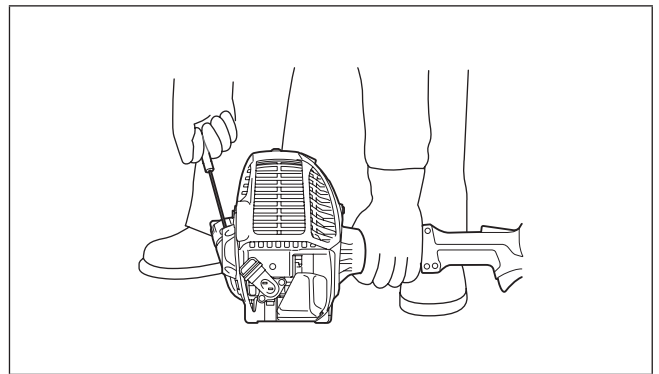
Mối nguy hại từ việc tiếp xúc với các chất này có thể thay đổi, phụ thuộc vào mức độ thường xuyên bạn làm công việc này. Để giảm tiếp xúc với các hoá chất này: làm việc ở nơi thông gió tốt và làm việc khi có thiết bị an toàn đã được phê duyệt, như mặt nạ chống bụi được thiết kế đặc biệt để lọc các hạt cực nhỏ.

Đưa vào vận hành

- Trước khi lắp ráp hoặc điều chỉnh thiết bị, hãy tắt máy và tháo đầu nối bu-gi hoặc hộp pin.
- Đeo găng tay bảo hộ trước khi sử dụng lưỡi cắt.
- Trước khi khởi động máy, hãy kiểm tra thiết bị xem có bị hỏng hóc, vít/đai ốc bị lỏng hoặc bộ phận lắp ráp không đúng hay không. Thay lưỡi cắt nếu lưỡi cắt bị cong hoặc hỏng. Kiểm tra tất cả các cần và công tắc điều khiển để sử dụng dễ dàng. Làm sạch và lau khô các tay cầm.
- Không cố gắng khởi động máy nếu thiết bị bị hỏng hoặc chưa được lắp ráp đầy đủ. Nếu không, có thể dẫn đến thương tích nghiêm trọng.
- Điều chỉnh dây đeo vai và tay cầm cho phù hợp với kích thước cơ thể của người vận hành.
- Kiểm tra các bộ phận bị hư hỏng - Trước khi tiếp tục sử dụng phụ kiện, bạn cần kiểm tra cẩn thận phần bảo vệ hay bộ phận khác bị hư hỏng để xác định rằng dụng cụ sẽ hoạt động đúng và thực hiện chức năng đã được định sẵn. Kiểm tra sự thẳng hàng của các bộ phận động, sự liên kết giữa các bộ phận động, các bộ phận vỡ hỏng, tình trạng lắp đặt và bất kỳ tình trạng nào khác có thể ảnh hưởng đến quá trình vận hành. Bạn cần để trung tâm dịch vụ được ủy quyền sửa chữa hoặc thay thế đúng cách phần bảo vệ hay bộ phận khác bị hư hỏng, trừ khi tài liệu hướng dẫn này chỉ ra nơi khác.

Khởi động máy

- Mặc đồ bảo hộ cá nhân trước khi khởi động máy.
- Khởi động động cơ cách điếm tiếp nhiên liệu ít nhất 3 m.
- Trước khi khởi động máy, đảm bảo không có người hoặc động vật trong khu vực làm việc.
- Khi khởi động động cơ hoặc lắp hộp pin, giữ dụng cụ cắt cách người bạn và các vật khác kể cả mặt đất. Bộ phận này có thể quay khi khởi động và có thể gây thương tích hoặc làm hỏng thiết bị và/hoặc tài sản.
- Đặt thiết bị trên mặt đất chắc chắn. Duy trì thăng bằng tốt và có chỗ để chân chắc chắn.
- Khi kéo núm khởi động, giữ dụng cụ máy chắc chắn trên mặt đất bằng tay trái. Không được giẫm lên trục dẫn động của dụng cụ máy.

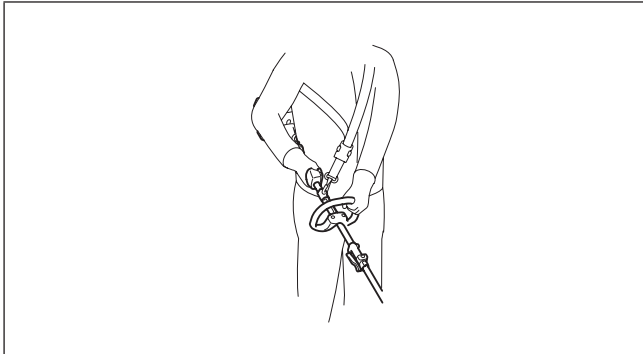


- Làm theo tài liệu hướng dẫn của dụng cụ máy để khởi động máy.
- Tắt động cơ hoặc giảm tốc độ không tải nếu dụng cụ cắt vẫn xoay khi chạy không tải.

Vận hành

- Không thay đổi cài đặt bộ điều chỉnh động cơ hoặc vượt quá tốc độ động cơ.
- Nếu sản phẩm rung bất thường, hãy dừng máy ngay và tìm hiểu nguyên nhân. Hiện tượng rung thường biểu thị sự cố.
- Dừng máy mỗi khi bạn không duy trì tư thế vận hành; tháo pin hoặc rút dây bu-gi trước khi gỡ tấm chắn dụng cụ cắt hoặc khi sửa chữa, điều chỉnh hoặc kiểm tra.
- Vận hành sản phẩm ở tư thế sao cho tấm chắn che khuất dụng cụ cắt.
- Trong trường hợp khẩn cấp, tắt máy ngay lập tức.

- Nếu bạn cảm thấy có điều kiện bất thường (ví dụ: tiếng ồn, rung) trong khi vận hành, hãy tắt máy. Không sử dụng thiết bị cho đến khi nhận ra nguyên nhân và khắc phục sự cố.
- Dụng cụ cắt tiếp tục quay trong thời gian ngắn sau khi nhà bộ khởi động bướm ga hoặc tắt động cơ. Không được vội vàng chạm vào dụng cụ cắt.
- Lắp dây đeo vai chỉ khi động cơ đang chạy ở chế độ không tải.
- Trong khi vận hành, sử dụng dây đeo vai. Giữ thiết bị chắc chắn ở bên phải.



- Giữ tay cầm trước bằng tay trái và tay cầm sau bằng tay phải cho dù bạn thuận tay phải hay tay trái. Dùng ngón tay và ngón cái để nắm xung quanh tay cầm.
- Không cố gắng vận hành thiết bị bằng một tay. Mất kiểm soát có thể dẫn đến thương tích nghiêm trọng hoặc thương tích chết người. Để giảm bớt nguy cơ thương tích, để tay và chân cách xa dụng cụ cắt.
- Không vớ quá cao. Luôn giữ thẳng bằng tốt và có chỗ để chân phù hợp. Để ý các chướng ngại vật bị khuất như gốc cây, rễ cây và rãnh để tránh bị vấp.
- Không được làm việc trên thang hoặc cây để tránh mất kiểm soát.
- Nếu thiết bị bị tác động mạnh hoặc rơi, hãy kiểm tra điều kiện trước khi tiếp tục làm việc. Kiểm tra hệ thống nhiên liệu để xem có rò rỉ nhiên liệu, đồng thời kiểm tra thiết bị kiểm soát và thiết bị an toàn xem có hỏng hóc hay không. Nếu có bất kỳ hỏng hóc hoặc nghi ngờ gì, hãy yêu cầu trung tâm dịch vụ được uỷ quyền của Makita kiểm tra và sửa chữa.
- Không chạm vào hộp chạy dao. Hộp chạy dao trở nên nóng trong khi vận hành.
- Hãy nghỉ ngơi để tránh mất kiểm soát do mệt mỏi gây ra. Chúng tôi khuyến cáo cho máy nghỉ từ 10 đến 20 phút mỗi giờ.
- Khi bạn rời thiết bị, ngay cả trong thời gian ngắn, hãy luôn tắt động cơ hoặc tháo hộp pin. Một người không được phép có thể sử dụng thiết bị khi động cơ đang chạy và có thể gây ra tai nạn nghiêm trọng.
- Làm theo tài liệu hướng dẫn về dụng cụ máy để sử dụng cẩn và công tắc điều khiển đúng cách.
- Trong khi vận hành hoặc sau khi vận hành, không đặt thiết bị đang nóng lên cỏ khô hoặc vật liệu dễ cháy.
- Nếu cỏ hoặc nhánh cây bị kẹt vào giữa dụng cụ cắt và phần bảo vệ, luôn ngừng động cơ và tháo đầu nối bu-gi hoặc hộp pin trước khi làm sạch. Nếu không, lưỡi cắt quay không mong muốn có thể gây ra thương tích nghiêm trọng.
- Nếu dụng cụ cắt chạm phải đá hoặc những vật cứng khác, tắt ngay động cơ và kiểm tra dụng cụ cắt.
- Kiểm tra thường xuyên các vết nứt hoặc hư hỏng dụng cụ cắt trong quá trình vận hành. Trước khi kiểm tra, tắt động cơ và đợi đến khi dụng cụ cắt ngừng hoạt động hoàn toàn. Thay thế ngay dụng cụ cắt bị hỏng, ngay cả khi nó chỉ có những vết nứt bề mặt.
- Không bao giờ cắt ở độ cao trên thắt lưng.
- Trước khi tiến hành cắt, đợi đến khi dụng cụ cắt đạt tốc độ không đổi sau khi kéo cò.
- Luôn nhớ đứng trên đường dốc.
- Bước đi, không được chạy.
- Phải rất thận trọng khi lùi máy hoặc kéo máy xới đất hướng về phía bạn.
- Đảm bảo lưỡi cắt đã dừng trước khi đi qua bề mặt không phải cỏ và khi vận chuyển máy xới đất tới hoặc từ khu vực được xới đất.
- Dừng động cơ bất cứ khi nào bạn rời khỏi máy xới đất.

Dụng cụ cắt

- Không bao giờ được sử dụng các lưỡi cắt không thích hợp, kể cả chuỗi dây quay nhiều phần và lưỡi liềm bằng kim loại. Có thể

dẫn đến thương tích nghiêm trọng.

- Luôn sử dụng phần bảo vệ dụng cụ cắt thích hợp cho dụng cụ cắt được dùng.

Sự chấn động

- Những người có hệ tuần hoàn kém, tiếp xúc lâu với chấn động, có thể bị tổn thương mạch máu hoặc hệ thần kinh. Sự chấn động có thể gây ra các triệu chứng sau xảy ra đối với ngón tay, bàn tay và cổ tay: "Buồn ngủ" (tê), đau dây thần kinh, đau đớn, cảm giác đau nhói, thay đổi màu da hoặc da. Nếu có bất kỳ triệu chứng nào, hãy đến gặp bác sĩ!
- Để giảm nguy cơ mắc "bệnh ngón tay trắng", hãy giữ ấm tay của bạn trong khi vận hành và bảo dưỡng thiết bị và phụ tùng tốt.

Vận chuyển

- Trước khi vận chuyển thiết bị, hãy tắt máy và tháo đầu nối bu-gi hoặc hộp pin. Tháo dụng cụ cắt.
- Khi vận chuyển thiết bị, hãy mang vác thiết bị theo vị trí ngang bằng cách giữ trực. Giữ bộ giảm thanh đang nóng cách xa cơ thể bạn.
- Khi vận chuyển thiết bị trong xe, buộc chặt thiết bị đúng cách để tránh bị lật. Nếu không, nhiên liệu sẽ tràn ra và làm hỏng thiết bị cũng như hành lý khác.


Bảo dưỡng

- Yêu cầu trung tâm dịch vụ được uỷ quyền của chúng tôi bảo trì thiết bị của bạn, chỉ luôn sử dụng các bộ phận thay thế chính hãng. Việc sửa chữa không đúng cách và bảo dưỡng kém có thể làm giảm tuổi thọ của thiết bị và tăng nguy cơ gây ra tai nạn.
- Trước khi bảo dưỡng hoặc sửa chữa hoặc vệ sinh thiết bị, hãy luôn tắt máy và tháo đầu nối bu-gi hoặc hộp pin. Đợi cho đến khi máy nguội.
- Để giảm nguy cơ hoả hoạn, không được bảo dưỡng thiết bị ở gần đám cháy.
- Luôn luôn đeo găng tay bảo hộ khi dùng lưỡi cắt.
- Luôn lau sạch bụi và bẩn khỏi thiết bị. Không bao giờ dùng xăng, ét xăng, dung môi, cồn hoặc hoá chất tương tự để lau bụi hoặc bẩn. Hiện tượng phai màu, biến dạng hoặc nứt vỡ của các bộ phận nhựa có thể xảy ra.
- Sau khi sử dụng, vận chặt tất cả các vít và đai ốc trừ vít điều chỉnh bộ chế hoà khí.
- Không cố gắng bảo dưỡng hoặc sửa chữa theo cách khác với mô tả trong cuốn sách nhỏ này hoặc tài liệu hướng dẫn về dụng cụ máy. Yêu cầu trung tâm dịch vụ được uỷ quyền của Makita thực hiện việc đó.
- Chỉ luôn sử dụng các bộ phận và phụ tùng thay thế chính hãng của Makita. Sử dụng các bộ phận hoặc phụ tùng do bên thứ ba cung cấp có thể dẫn đến hỏng hóc thiết bị, thiệt hại tài sản và/hoặc thương tích nghiêm trọng.
- Yêu cầu trung tâm dịch vụ được uỷ quyền của Makita kiểm tra và bảo dưỡng thiết bị thường xuyên.

Cắt giữ

- Trước khi cắt giữ thiết bị, hãy bảo dưỡng và vệ sinh toàn bộ thiết bị. Tháo đầu nối bu-gi hoặc hộp pin. Rút hết nhiên liệu sau khi động cơ nguội. Tháo dụng cụ cắt.
- Nếu phải xả bình nhiên liệu, hãy thực hiện việc này ngoài trời.
- Cắt giữ thiết bị ở nơi khô thoáng, cao ráo hoặc được khoá, ngoài tầm với của trẻ em.
- Không dựng thiết bị dựa vào thứ gì đó, chẳng hạn như tường. Nếu không, thiết bị có thể đổ bất ngờ và gây thương tích.

Sơ cứu

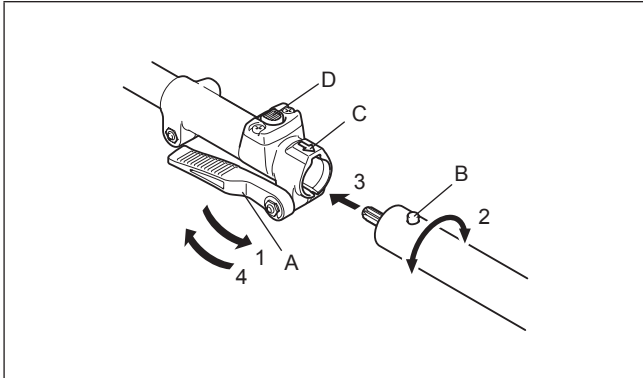
-  Luôn có bộ sơ cứu ở gần. Ngay lập tức thay thế bất kỳ thứ gì lấy từ bộ sơ cứu.
- Khi yêu cầu trợ giúp, hãy cung cấp các thông tin sau:
 - Vị trí tai nạn
 - Chuyện gì đã xảy ra
 - Số người bị thương
 - Bản chất thương tích
 - Tên của bạn

Lắp ráp và điều chỉnh

⚠ CẢNH BÁO:

- Trước khi lắp ráp hoặc điều chỉnh thiết bị, tắt động cơ và tháo đầu nối bu-gi hoặc hộp pin. Nếu không, dụng cụ cắt hoặc các bộ phận khác có thể chuyển động và gây ra thương tích nghiêm trọng.
- Trước khi dùng lưỡi cắt, đeo bao tay bảo hộ. Trong quá trình lắp ráp hoặc điều chỉnh, ngón tay của bạn có thể tiếp xúc với lưỡi cắt và có thể gặp thương tích nghiêm trọng.
- Khi lắp ráp hoặc điều chỉnh thiết bị, hãy luôn đặt thiết bị xuống. Lắp ráp hoặc điều chỉnh thiết bị ở vị trí thẳng đứng có thể dẫn đến thương tích nghiêm trọng.
- Làm theo cảnh báo và lưu ý trong chương “Lưu ý an toàn” và tài liệu hướng dẫn về dụng cụ máy.

Lắp phụ kiện vào một dụng cụ máy



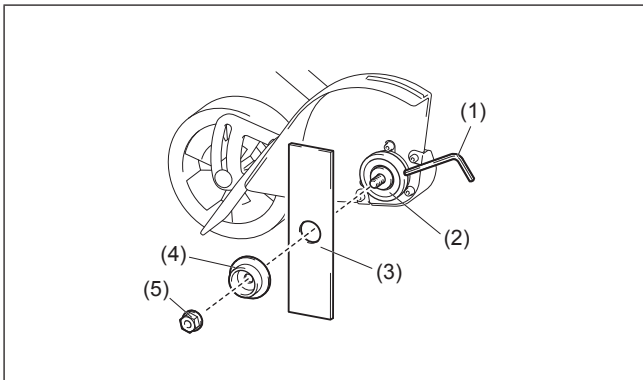
Để lắp phụ kiện vào một dụng cụ máy, hãy làm theo các bước dưới đây.

1. Chắc chắn rằng lẫy khoá (A) không bị thắt chặt.
2. Đặt thẳng trục (B) bằng đầu mũi tên (C).
3. Chèn trục vào trục khuỷu của dụng cụ máy cho đến khi nút thả (D) bật lên.
4. Giữ chặt lẫy khoá (A) như được miêu tả.

Để tháo phụ kiện, hãy nói lỏng lẫy khoá, nhấn nút khoá và rút trục ra.

CHÚ Ý: Không vặn chặt lẫy khoá (A) nếu chưa đưa trục của phụ kiện vào. Nếu không, lẫy khoá có thể nện quá chặt lõi vào của trục dẫn động và làm hỏng trục.

Lắp và tháo lưỡi cắt



1. Xoay vòng đệm nhận (2) để lỗ trên vòng đệm nhận thẳng hàng với lỗ trên hộp chạy dao.
2. Lắp chìa vận lục giác (1) qua các lỗ. Đảm bảo vòng đệm nhận không xoay.
3. Giữ chìa vận lục giác, xoay đai ốc (5) theo chiều kim đồng hồ bằng chìa vận kiểu ống lồng.
4. Tháo đai ốc và vòng kẹp (4).
5. Lắp lưỡi cắt (3).
6. Lắp lại vòng kẹp và đai ốc.
7. Giữ chìa vận lục giác, xoay đai ốc ngược chiều kim đồng hồ để siết chặt lưỡi cắt.

Để tháo lưỡi cắt, thực hiện các bước ở trên theo trình tự ngược lại.

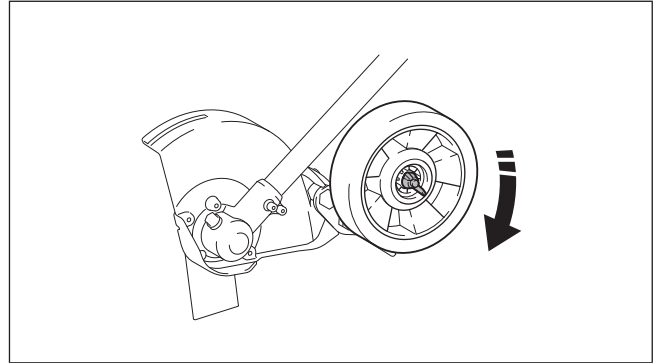
CHÚ Ý: Đai ốc siết chặt lưỡi cắt (bằng vòng đệm lò xo) bị mòn sau một khoảng thời gian. Nếu xuất hiện bất kỳ sự hiện tượng mòn hoặc biến dạng nào trên đai ốc, hãy thay đai ốc.

Vận hành

⚠ CẢNH BÁO:

- Tắt động cơ hoặc giảm tốc độ không chạy nếu dụng cụ cắt vẫn không quay. Nếu không, bạn không thể dừng dụng cụ cắt bằng bộ tiết lưu và nó có thể gây ra thương tích nghiêm trọng.
- Làm theo cảnh báo và lưu ý trong chương “Lưu ý an toàn” và tài liệu hướng dẫn về dụng cụ máy.

Điều chỉnh độ sâu của lưỡi cắt



- Nói lỏng đai ốc trên bánh xe.
- Di chuyển bánh xe và điều chỉnh độ cao theo hoạt động, sau đó vặn chặt đai ốc.

Mẹo vận hành

- Trước khi cắt mép, tưới nước vào khu vực để làm mềm đất và giúp cắt mép dễ dàng hơn.
- Trước khi cắt mép, kiểm tra khu vực và loại bỏ tất cả vật cản và các vật thể có thể bị ném xuống đất.
- Nên cắt mép thường xuyên để việc cắt mép gọn dễ dàng hơn và để tránh phải tạo nhiều lồi.

CHÚ Ý:

Có thể phải điều chỉnh độ sâu của lưỡi cắt do sự chênh lệch về độ cao giữa bề mặt cứng và mặt cỏ.

- Điều chỉnh độ sâu cắt của lưỡi cắt để vết cắt gọn giữa lề đường và có sử dụng độ sâu lưỡi cắt tối thiểu, thông thường khoảng 13 mm (1/2”) lưỡi cắt xuống mặt đất.

Kiểm tra và bảo dưỡng

⚠ CẢNH BÁO:

- Trước khi kiểm tra hoặc bảo dưỡng thiết bị, tắt động cơ và tháo đầu nối bu-gi hoặc hộp chứa pin. Nếu không, dụng cụ cắt hoặc các bộ phận khác có thể chuyển động và gây ra thương tích nghiêm trọng.
- Khi kiểm tra hoặc bảo dưỡng thiết bị, hãy luôn đặt thiết bị xuống. Lắp ráp hoặc điều chỉnh thiết bị ở vị trí thẳng đứng có thể dẫn đến thương tích nghiêm trọng.
- Làm theo cảnh báo và lưu ý trong chương “Lưu ý an toàn” và tài liệu hướng dẫn về dụng cụ máy.

Mài sắc lại dụng cụ cắt

⚠ CẢNH BÁO:

Không tự mài lại lưỡi cắt. Việc mài lại thông thường sẽ làm mất cân bằng lưỡi cắt và nó có thể gây ra rung hoặc phá hỏng thiết bị.

Yêu cầu trung tâm dịch vụ có thẩm quyền của Makita sửa lại và làm cân bằng lại những lưỡi cắt của máy cắt bị cùn.

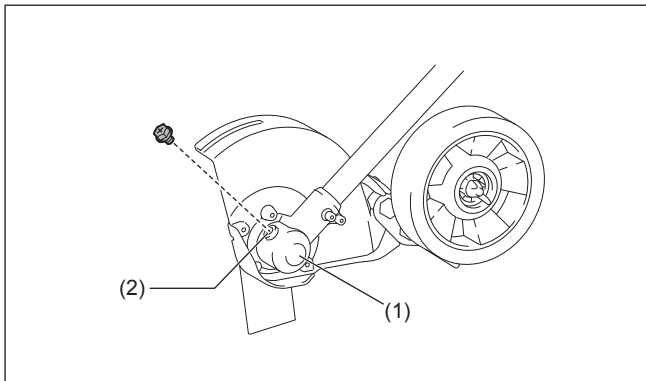
Bôi trơn các bộ phận di chuyển

CHÚ Ý: Làm theo hướng dẫn về tần suất và lượng nhớt cung cấp. Nếu không, mức bôi trơn không đủ có thể làm hỏng các bộ phận di chuyển.

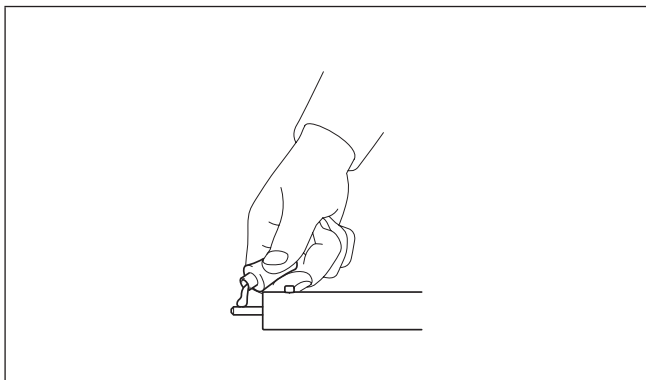
Hộp chạy dao:

Cấp dầu (Shell Alvania 2 hoặc loại tương đương) cho hộp chạy dao (1) qua lỗ dầu (2) sau mỗi 30 giờ hoạt động. (Dầu Makita thật có

thể được bán bởi đại lý Makita ở địa phương của bạn.)



Trục dẫn động:
Cung cấp dầu (Shell Alvania No.2 or hoặc loại tương đương) sau
30 giờ vận hành.



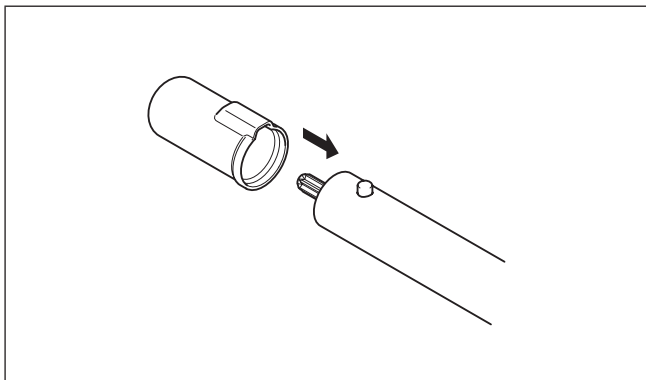
Kiểm tra tổng thể

- Vặn chặt bu-lông, đai ốc và vít.
- Kiểm tra các bộ phận bị hỏng. Yêu cầu trung tâm dịch vụ được ủy quyền của Makita thay thế các bộ phận đó.

Cất giữ

⚠ CẢNH BÁO:

Làm theo cảnh báo và lưu ý trong chương “Lưu ý an toàn” và tài liệu hướng dẫn về dụng cụ máy.



Khi cất giữ phụ kiện kèm theo máy xới đất tách riêng với dụng cụ máy, hãy đậy nắp cho dầu trực.

Lịch bảo dưỡng

Số giờ vận hành		Trước khi Vận hành	Hàng ngày (10 giờ)	30 giờ	Nếu cần	Trang tương ứng
Toàn bộ thiết bị	Kiểm tra các bộ phận bị hỏng bằng mắt thường	○				61
Tất cả các vít và đai ốc cố định	Siết chặt	○				61
Hộp chạy dao	Tra mỡ			○		60
Trục dẫn động	Tra mỡ			○		61
Lưỡi cắt	Kiểm tra bằng mắt các hư hại	○	○			60
Dụng cụ máy	Tham khảo tài liệu hướng dẫn về dụng cụ máy					

Khắc phục sự cố

Sự cố	Nguyên nhân có thể	Giải pháp
Động cơ không khởi động.	Tham khảo tài liệu hướng dẫn về dụng cụ máy.	
Động cơ dừng ngay sau khi khởi động.		
Tốc độ tối đa bị giới hạn.		
Dụng cụ cắt không quay → Dừng máy ngay lập tức!	Lưỡi cắt không được vận chặt.	Vận chặt lưỡi cắt.
	Cành con mắc vào giữa lưỡi cắt và tấm bảo vệ.	Gỡ bỏ vật lạ.
	Hệ thống dẫn động không hoạt động đúng cách.	Yêu cầu trung tâm dịch vụ được ủy quyền của Makita kiểm tra và sửa chữa.
Máy rung bất thường. → Dừng máy ngay lập tức!	Lưỡi cắt bị bẻ cong, mòn hoặc vỡ.	Thay thế lưỡi cắt bằng lưỡi cắt mới.
	Lưỡi cắt không được vận chặt.	Vận chặt lưỡi cắt.
	Lưỡi cắt không khớp vào vòng đệm nhận.	Cài đặt lưỡi cắt hợp lư.
	Hệ thống dẫn động không hoạt động đúng cách.	Yêu cầu trung tâm dịch vụ được ủy quyền của Makita kiểm tra và sửa chữa.
Dụng cụ cắt không quay. → Dừng máy ngay lập tức!	Dụng cụ máy không hoạt động đúng cách.	Tham khảo tài liệu hướng dẫn về dụng cụ máy.

Dữ liệu Kỹ thuật

Kiểu máy	EE400MP	
Kích thước (D x R x C)	mm (inch)	878 x 131 x 291 (34-1/2" x 5-1/8" x 11-1/2")
Trọng lượng (Không kể thiết bị bảo vệ và lưỡi cắt)	kg (lb)	2,4 (5,4)
Đường kính lưỡi cắt	mm (inch)	203 (8")
Tỷ số truyền	14/29	

สารบัญ

	หน้า
สารบัญ	63
บทนำ	63
สัญลักษณ์.....	63
เครื่องมือที่ผ่านการรับรอง.....	64
รายละเอียดของชิ้นส่วนต่างๆ.....	64
ข้อควรระวังด้านความปลอดภัย	64
การประกอบและการปรับ	67
การทำงาน.....	68
การตรวจสอบและการบำรุงรักษา.....	68
การจัดเก็บ.....	69
ตารางเวลาการดูแลรักษาเครื่อง	70
การแก้ไขปัญหา.....	70
ข้อมูลทางเทคนิค	70

บทนำ

ขอขอบคุณสำหรับการสั่งซื้อส่วนประกอบเครื่องตัดขอบของ Makita ส่วนประกอบนี้ได้รับการออกแบบขึ้นให้ติดตั้งกับเครื่องมือของ Makita ที่กล่าวถึงในคู่มือใช้งานนี้

ก่อนการใช้งาน โปรดอ่านคู่มือฉบับนี้และคู่มือใช้งานของเครื่องมือ การกระทำเช่นนี้จะช่วยให้คุณได้รับผลลัพธ์ที่ดีที่สุดจากส่วนประกอบเครื่องตัดขอบของ Makita

สัญลักษณ์

มีการใช้สัญลักษณ์ต่อไปนี้บนส่วนประกอบและคู่มือใช้งานฉบับนี้ ทำความเข้าใจกับคำจำกัดความเหล่านี้



ใช้ความระมัดระวังเป็นพิเศษ



อ่านคู่มือการใช้งาน



ห้ามไม่ให้มีบุคคลเข้ามาในพื้นที่การทำงาน



สวมแว่นตาป้องกันและอุปกรณ์ป้องกันหู



สวมถุงมือป้องกัน



สวมรองเท้าบูตอย่างหนาที่มีพื้นกันลื่น ขอแนะนำ
ให้ใช้รองเท้าบูตนิรภัยหัวเหล็ก



ข้อห้าม!



การปฐมพยาบาล

เครื่องมือที่ผ่านการรับรอง

ส่วนประกอบนี้ได้รับการรับรองให้ใช้งานร่วมกับเครื่องมือต่อไปนี้เท่านั้น:

EX2650LH หัวตัดไฟฟ้าเนกประสงค์
BUX360, BUX361, BUX362, UX360D, UX361D, UX362D

หัวตัดไฟฟ้าเนกประสงค์แบบไร้สาย

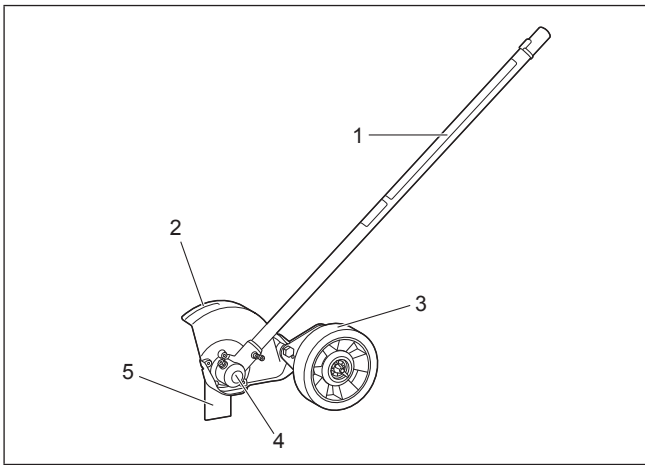
สำหรับประเทศอื่น ที่ไม่ใช่สหรัฐอเมริกาและแคนาดาเท่านั้น:

DUX60 หัวตัดไฟฟ้าเนกประสงค์แบบไร้สาย

⚠ คำเตือน:

อย่าใช้ส่วนประกอบนี้ร่วมกับเครื่องมือที่ไม่ผ่านการรับรอง ชิ้นส่วนที่ไม่ผ่านการรับรองอาจทำให้เกิดการบาดเจ็บร้ายแรงได้

รายละเอียดของชิ้นส่วนต่างๆ



หมายเลขทางด้านล่างจะอ้างอิงตามภาพประกอบ

1. เพลลา
2. กรอบของใบตัด
3. ล้อ
4. กระปุกเฟืองเกียร์
5. ใบตัด

ข้อควรระวังด้านความปลอดภัย

⚠ คำเตือน:

อ่านคำเตือนด้านความปลอดภัยและคำแนะนำทั้งหมดในคู่มือฉบับนี้ และคู่มือใช้งานของเครื่องมือ การไม่ปฏิบัติตามคำเตือนและคำแนะนำดังกล่าวอาจส่งผลให้เกิดไฟฟ้าช็อต ไฟไหม้ และ/หรือได้รับบาดเจ็บร้ายแรงได้

เก็บรักษาคำเตือนและคำแนะนำทั้งหมดไว้เป็นข้อมูลอ้างอิงในอนาคต

คำว่า "เครื่องตัดขอบ" และ "อุปกรณ์" ในคำเตือนและข้อควรระวัง หมายถึง ส่วนประกอบและเครื่องมือรวมกัน

คำว่า "มอเตอร์" ในคำเตือนและข้อควรระวัง หมายถึง เครื่องยนต์หรือมอเตอร์ไฟฟ้าของเครื่องมือ

คำแนะนำด้านความปลอดภัยที่สำคัญ

อันตราย - เมื่อใช้งานเครื่องตัดขอบ ให้ปฏิบัติตามข้อควรระวังพื้นฐาน รวมถึงข้อปฏิบัติต่อไปนี้:

- อ่านและปฏิบัติตามคำแนะนำทั้งหมด - อ่านคู่มือคำแนะนำอย่างละเอียด ทำความคุ้นเคยกับอุปกรณ์ควบคุมและใช้งานเครื่องมืออย่างถูกต้อง ทราบวิธีการหยุดเครื่องและถอดอุปกรณ์ควบคุมอย่างรวดเร็ว
- แต่งกายอย่างเหมาะสม - สวมแว่นตานิรภัยหรือแว่นครอบ อย่าสวมเครื่องแต่งกายที่หลวมเกินไปหรือเครื่องประดับ เพราะอาจเข้าไปติดในชิ้นส่วนที่เคลื่อนที่ได้ของเครื่อง ใช้ถุงมือหนาและรองเท้านิรภัยที่ได้รับการแนะนำ
- ตื่นตัวอยู่เสมอ - ระวังสิ่งที่คุณกำลังทำ - ใช้สามัญสำนึก อย่าใช้งานผลิตภัณฑ์เมื่อเหนื่อยล้าหรืออยู่ภายใต้ฤทธิ์สุราหรือยา
- คำเตือน - ปิดฝาถังน้ำมันให้แน่นเพื่อลดความเสี่ยงจากไฟ
- อันตราย - เครื่องตัดกำลังหมุน -
 - เมื่อไม่มีดกำลังหมุน ต้องใช้มือทั้งสองข้างจับที่มีข้อจับ
 - ระวังอย่าให้เท้าอยู่ใกล้กับบริเวณที่ทำการตัด
 - เมื่อมอเตอร์กำลังทำงานหรือเมื่อเครื่องตัดกำลังเคลื่อนที่ อย่าพยายามนำวัสดุที่ตัดแล้วออกหรือยี่ดวัสดุไว้เพื่อตัด
 - เมื่อจะกำจัดวัสดุที่ติดอยู่จากเครื่องตัด ต้องตรวจสอบให้แน่ใจว่าได้ถอดหัวเทียนออกแล้ว
 - คำเตือน - หลังจากปิดเครื่องเครื่องตัดจะยังคงหมุนต่อไปอีก
- รักษาพื้นที่ทำงานให้โล่ง - รักษาพื้นที่ทำงานให้ไม่มีคน โดยเฉพาะเด็กเล็ก และสัตว์เลี้ยง
- ใช้เครื่องตัดขอบอย่างถูกต้อง - ใช้งานสำหรับตัดขอบพุ่มไม้, ยอด และของที่เหมือนกับที่อธิบายไว้ในคำแนะนำการใช้งาน อย่าใช้งานผลิตภัณฑ์อย่างไม่เหมาะสม อย่าใช้งานผลิตภัณฑ์ในระหว่างที่ฝนตกหรือใช้ในบริเวณที่เปียกแฉะ อย่าอนุญาตให้เด็กใช้งานผลิตภัณฑ์ อย่าอนุญาตให้ผู้ใหญ่ใช้งานผลิตภัณฑ์โดยที่ไม่มีการแนะนำอย่างเหมาะสม
- อย่าเชื่อมหรือยืนอยู่บนฐานรองที่ไม่มั่นคง - วางเท้าให้ดีและสมดุลตลอดเวลา
- ถอด (ถอดปลั๊ก) สายหัวเทียน -
 - เมื่อไม่ใช้งาน
 - ก่อนการซ่อมบำรุง, ทำความสะอาด และอื่นๆ
 - ก่อนการเปลี่ยนอุปกรณ์เสริม
- บำรุงรักษาผลิตภัณฑ์ด้วยความระมัดระวัง -
 - ปฏิบัติตามคำแนะนำการบำรุงรักษาที่อยู่ในคู่มือ
 - เพื่อลดความเสี่ยงจากไฟไหม้ อย่าปล่อยให้หญ้า, ใบไม้ หรือจาระบีสะสมอยู่บนผลิตภัณฑ์มากเกินไป
- เก็บผลิตภัณฑ์ไว้ในร่ม - เมื่อไม่ใช้งาน ให้เก็บรักษาผลิตภัณฑ์ไว้ในที่แห้ง ล็อกหรือป้องกันไม่ให้เด็กเข้าถึงได้
- อย่าพยายามซ่อมแซมผลิตภัณฑ์ -
 - การซ่อมแซมต้องทำโดยตัวแทนหรือช่างที่ได้รับการรับรองเท่านั้น
 - ตรวจสอบว่าใช้แต่อะไหล่แท้เท่านั้น

คำแนะนำเกี่ยวกับความเสี่ยงจากไฟไหม้ หรือการบาดเจ็บ

- อย่าใช้งานผลิตภัณฑ์เมื่อไม่ใส่รองเท้าหรือใส่รองเท้าแตะ สวมใส่รองเท้านิรภัยและกางเกงขายาว หรือกางเกงสแล็คที่คลุมขา
- อย่าใช้งานผลิตภัณฑ์บนพื้นผิวที่โรยหินกรวด
- อย่าใช้งานผลิตภัณฑ์โดยมองไม่เห็นหรือไม่มีแสง
- สตาร์ทมอเตอร์อย่างระมัดระวัง ก่อนสตาร์ท ต้องตรวจสอบอุปกรณ์เชื่อมต่อทั้งหมดว่ามี การถอดออกหรือไม่ ระวังอย่าให้มีมือ, เท้า และเสื้อผ้า อยู่ใกล้กับเครื่องตัดและชิ้นส่วนที่เคลื่อนที่ได้
- อย่าพยายามปรับค่าในขณะที่มอเตอร์กำลังทำงาน (ยกเว้นกรณีที่ได้รับคำแนะนำอย่างเฉพาะเจาะจงโดยผู้ผลิต)
- อย่าปล่อยให้เศษวัสดุไปทางคนข้างเคียงหรืออย่าปล่อยให้คนอยู่ใกล้พื้นที่ทำงาน

ใช้ความระมัดระวังการปล่อยเพื่อหลีกเลี่ยงภาชนะแก้ว, รถยนต์ และวัตถุที่คล้ายกัน

- g) เมื่อใช้งานผลิตภัณฑ์ ต้องระวังทางเดินที่ไม่เสมอกัน, หลุมในพื้น ที่หรือสภาพที่คล้ายกัน ดันซ้ำๆ เหนือพื้นดินที่ขรุขระ
- h) วัตถุที่ติดกับเครื่องตัดสามารถเป็นสาเหตุให้เกิดการบาดเจ็บร้ายแรงได้ ควรตรวจสอบสนามหญ้าอย่างละเอียด และนำวัตถุทั้งหมดออกก่อนที่จะทำการตัดขอบทุกครั้ง
- i) หากผลิตภัณฑ์ติดกับวัตถุแปลกปลอมให้ปฏิบัติตามขั้นตอนต่อไปนี้:
 - 1) หยุดเครื่อง
 - 2) ถอดสายหัวเทียนออก
 - 3) ตรวจสอบความเสียหาย
 - 4) ซ่อมแซมความเสียหายก่อนสตาร์ทเครื่องและใช้งานผลิตภัณฑ์อีกครั้ง
- j) เมื่อขนส่งผลิตภัณฑ์หรือไม่ได้ใช้งาน ถอดเครื่องตัดออก
- k) ปฏิบัติตามข้อควรระวังทั้งหมดเมื่อปล่อยผลิตภัณฑ์ไว้โดยไม่มีผู้ดูแล ถอดอุปกรณ์เชื่อมต่อ และหยุดการทำงานของมอเตอร์
- l) เมื่อทำความสะอาด, ซ่อมแซม หรือตรวจสอบ ให้ตรวจให้แน่ใจว่าเครื่องตัดและชิ้นส่วนที่เคลื่อนที่ทั้งหมดหยุดทำงานแล้ว ถอดแบตเตอรี่ หรือถอดสายหัวเทียน และเก็บสายให้ห่างจากปลั๊ก เพื่อไม่ให้เกิดการสตาร์ทโดยไม่ได้ตั้งใจ
- m) อย่าใช้งานผลิตภัณฑ์โดยไม่ติดตั้งเครื่องป้องกัน, จาน หรือเครื่องมือป้องกันในตำแหน่งที่เหมาะสม
- n) ใช้แต่อุปกรณ์เสริมและอุปกรณ์เชื่อมต่อหรือที่แนะนำให้ใช้สำหรับการใช้งานผลิตภัณฑ์นั้นเท่านั้น
- o) อย่าใช้งานผลิตภัณฑ์ที่เสียหายหรือเครื่องตัดที่สึกหรอมากเกินไป

วัตถุประสงค์ในการใช้งาน

- อุปกรณ์นี้ใช้สำหรับตัดขอบสนามหญ้า โดยใช้งานร่วมกับชุดจ่ายพลังงานที่ได้รับการรับรองเท่านั้น อย่าใช้ส่วนประกอบในวัตถุประสงค์อื่น การใช้ส่วนประกอบผิดวัตถุประสงค์อาจทำให้ได้รับบาดเจ็บร้ายแรงได้

ข้อควรระวังทั่วไป

- ก่อนการใช้งานอุปกรณ์ โปรดอ่านคู่มือฉบับนี้และคู่มือใช้งานของเครื่องมือเพื่อให้มีความคุ้นเคยกับการใช้งานอุปกรณ์
- อย่าให้ผู้ที่ไม่มีประสบการณ์หรือความรู้เพียงพอเกี่ยวกับการจัดการส่วนประกอบใช้งานส่วนประกอบนี้
- เมื่ออนุญาตใช้งานส่วนประกอบ ควรมอบคู่มือใช้งานนี้ให้ด้วยเสมอ
- อย่านุญาตให้เด็กและผู้ที่มีอายุต่ำกว่า 18 ปีใช้งานอุปกรณ์ กันพวกเขาให้อยู่ห่างจากอุปกรณ์
- ใช้อุปกรณ์ด้วยความระมัดระวังสูงสุดเสมอ
- อย่าใช้งานอุปกรณ์หลังจากดื่มเครื่องดื่มแอลกอฮอล์หรือรับประทานยา หรือเมื่อรู้สึกเหนื่อยล้าหรือไม่สบาย
- ใช้สามัญสำนึกและตระหนักไว้เสมอว่าผู้ปฏิบัติงานหรือผู้ใช้งานต้องรับผิดชอบต่ออุบัติเหตุหรืออันตรายที่เกิดขึ้นกับบุคคลอื่นหรือทรัพย์สินของพวกเขา
- อย่ายพยายามดัดแปลงส่วนประกอบ
- ปฏิบัติตามข้อกำหนดเกี่ยวกับการใช้งานอุปกรณ์ในประเทศของคุณ
- ดูแลเครื่องป้องกันให้อยู่ในตำแหน่งที่ถูกต้องและอยู่ในสภาพพร้อมใช้งาน
- ลับใบเลื่อยให้คมอยู่เสมอ
- ระวังอย่าให้มือและเท้าอยู่ใกล้กับพื้นที่ทำการตัด

อุปกรณ์ป้องกันส่วนบุคคล

- สวมหมวกนิรภัย, แวนตากันฝุ่น และถุงมือป้องกันเพื่อป้องกันตัวคุณเองจากเศษวัสดุที่ปลิวมาหรือวัตถุที่วิ่งหล่น



- สวมเครื่องป้องกันเสียงรบกวน เช่น ที่ครอบหูลดเสียงเพื่อป้องกันการสูญเสียการได้ยิน
- สวมชุดและรองเท้าที่เหมาะสมเพื่อป้องกันความปลอดภัย ได้แก่ สวมชุดหมี่สำหรับทำงานและรองเท้ากันลื่นที่มีความหนา อย่านวมเครื่องแต่งกายที่หลวมเกินไปหรือเครื่องประดับ เสื้อผ้ารุ่มร่าม เครื่องประดับ หรือผมที่มีความยาวอาจเข้าไปติดในชิ้นส่วนที่เคลื่อนที่ได้
- สวมถุงมือป้องกันเมื่อสัมผัสกับใบตัด เนื่องจากใบตัดอาจบาดมือและทำให้ได้รับบาดเจ็บร้ายแรงได้

ความปลอดภัยของพื้นที่ทำงาน

- ใช้เครื่องตัดหญ้าในสภาพที่มีแสงสว่างและมองเห็นได้ชัดเจน อย่าใช้เครื่องตัดหญ้าในสภาพที่มีความมืดหรือมีหมอกหนา
- เริ่มต้นและใช้งานเครื่องยนต์ในบริเวณกลางแจ้งและเป็นพื้นที่ที่มีการระบายอากาศดีเท่านั้น การทำงานในพื้นที่ปิดที่บดหรือมีการระบายอากาศไม่ดีอาจทำให้ได้รับอันตรายถึงเสียชีวิต เนื่องจากขาดอากาศหายใจหรือสูดดมแก๊สพิษคาร์บอนมอนอกไซด์
- ในระหว่างทำงาน อย่ายืนบนพื้นผิวที่ไม่มั่นคงหรือลื่น หรือบนทางลาดชัน ในช่วงฤดูหนาว ให้ระมัดระวังน้ำแข็งและหิมะ และจัดทำกรวยใหม่มั่นคงเสมอ
- ในระหว่างทำงาน กันบุคคลรอบข้างหรือสัตว์ต่างๆ ให้อยู่ห่างจากเครื่องตัดหญ้าอย่างน้อย 15 ม. หยุดการทำงานของมอเตอร์ทันทีที่มีบุคคลเข้าใกล้
- ก่อนการทำงาน ให้ตรวจสอบพื้นที่ทำงานเพื่อดูก้อนหินหรือวัตถุแข็งอื่นๆ วัตถุอาจกระเด็นหรือทำให้เกิดอันตรายจากการติดกลับ และเป็นสาเหตุให้เกิดการบาดเจ็บร้ายแรง และ/หรือทำให้ทรัพย์สินเสียหาย
- ⚠ คำเตือน: การใช้ผลิตภัณฑ์นี้อาจสร้างฝุ่นสารเคมีซึ่งอาจก่อให้เกิดการเจ็บป่วยของระบบทางเดินหายใจหรือส่วนอื่นๆ ตัวอย่างบางส่วนของสารเคมีเหล่านี้ ได้แก่ ส่วนประกอบที่พบในสารกำจัดศัตรูพืช, สารกำจัดแมลง, ปุ๋ย และสารกำจัดวัชพืชคุณมีความเสี่ยงจากสารเหล่านี้ต่ากันไปด้วยขึ้นอยู่กับความถี่ที่คุณทำงานประเภทนี้ หากต้องการลดการสัมผัสกับสารเคมีเหล่านี้: ทำงานในพื้นที่ที่มีการระบายอากาศดี และใช้อุปกรณ์นิรภัยที่ได้รับการรับรอง เช่น หน้ากากกันฝุ่นที่ได้รับการออกแบบเป็นพิเศษสำหรับกรองอนุภาคที่มีขนาดเล็กมาก

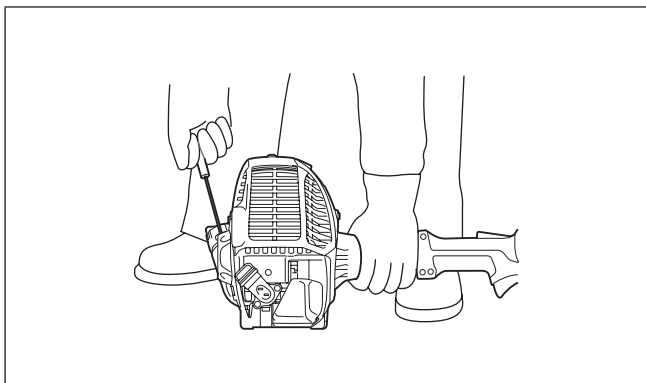
การนำมาใช้งาน

- ก่อนประกอบหรือปรับอุปกรณ์ ให้ปิดสวิตช์มอเตอร์ และนำฝาครอบหัวเทียนหรือสับเบตเตอร์ออก
- สวมถุงมือป้องกันเมื่อสัมผัสกับใบตัด
- ก่อนสตาร์ทมอเตอร์ ให้ตรวจสอบอุปกรณ์เพื่อดูว่ามี ความชำรุดเสียหาย, สกปรก/นอตที่หลวม หรือการประกอบที่ไม่ถูกต้องหรือไม่ หากใบตัดโค้งงอหรือชำรุดเสียหาย ให้เปลี่ยนใหม่ ตรวจสอบคันโยกควบคุมและสวิตช์ทั้งหมดเพื่อให้ทำงานง่าย ทำความสะอาดและเช็ดมือจับให้แห้ง
- ห้ามสตาร์ทมอเตอร์ หากอุปกรณ์ชำรุดเสียหาย หรือไม่ได้ประกอบชิ้นส่วนอย่างสมบูรณ์ เนื่องจากอาจทำให้ได้รับบาดเจ็บร้ายแรงได้
- ปรับสายสะพายไหล่และที่จับเพื่อให้เหมาะกับขนาดร่างกายของผู้ใช้งาน
- ตรวจสอบเพื่อหาชิ้นส่วนที่เสียหาย - ก่อนใช้งาน ให้ตรวจสอบอุปกรณ์เชื่อมต่อ

เครื่องป้องกัน หรือชิ้นส่วนอื่นๆ อย่างละเอียดว่าชำรุดเสียหายหรือไม่ เพื่อให้แน่ใจได้ว่าจะใช้งานได้อย่างถูกต้องและทำงานได้อย่างที่ต้องการ ตรวจสอบการวางตำแหน่งของชิ้นส่วนที่เคลื่อนที่ การเชื่อมต่อชิ้นส่วนที่เคลื่อนที่ การแตกหักของชิ้นส่วน การประกอบ และสภาพอื่นๆ ที่อาจส่งผลกระทบต่อการทำงาน ควรให้ศูนย์บริการที่ได้รับอนุญาตเป็นผู้ซ่อมแซมหรือเปลี่ยนอุปกรณ์ป้องกัน หรือชิ้นส่วนที่ชำรุด เว้นแต่จะระบุไว้เป็นอย่างอื่นในคู่มือการใช้งานนี้

การสตาร์ทมอเตอร์

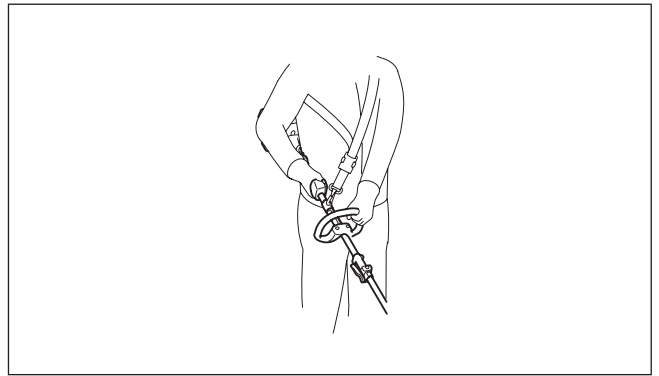
- ก่อนสตาร์ทมอเตอร์ ต้องสวมอุปกรณ์ป้องกันส่วนบุคคลให้เรียบร้อย
- สตาร์ทเครื่องยนต์ให้ห่างจากจุดเติมน้ำมันอย่างน้อย 3 เมตร (10 ฟุต)
- ก่อนสตาร์ทมอเตอร์ ให้ตรวจสอบว่าไม่มีบุคคลหรือสัตว์อยู่ในบริเวณที่ทำงาน
- ขณะสตาร์ทเครื่องยนต์หรือเสียบปลั๊กแบตเตอรี่ ต้องระมัดระวังอย่าให้เครื่องติดสัมผัสกับร่างกายของคุณและวัตถุอื่นๆ รวมถึงพื้น ชิ้นส่วนดังกล่าว อาจหมุนเมื่อเริ่มต้นทำงาน และอาจทำให้บาดเจ็บหรือสร้างความเสียหายต่ออุปกรณ์และ/หรือทรัพย์สินได้
- วางอุปกรณ์ลงบนพื้นที่ยึดแน่น รักษาสมดุลให้ดีและจัดท่าการยืนให้มั่นคง
- ในขณะที่ดึงลูกบิดสตาร์ทเครื่อง ให้ใช้มือซ้ายถือเครื่องมืออย่างมั่นคงและขนานกับพื้น อย่าขึ้นไปเหยียบบนเพลาลับเคลื่อนของเครื่องมือ



- หากต้องการสตาร์ทมอเตอร์ ให้ปฏิบัติตามคู่มือใช้งานของเครื่องมือ
- หากเครื่องติดหมุนในอัตรารอบเดินเบา ให้หยุดเครื่องยนต์และปรับความเร็วในอัตรารอบเดินเบาให้ลดลง

การทำงาน

- อย่าเปลี่ยนการตั้งค่าควบคุมเครื่องยนต์ หรือเร่งเครื่องยนต์จนความเร็วสูงเกิน
- หากผลิตภัณฑ์สันนิษฐานผิด ให้หยุดการทำงานของคุณทันที และตรวจสอบหาสาเหตุ การสันนิษฐานจะเป็นสัญญาณเตือนว่ามีสิ่งผิดปกติ
- หยุดการทำงานของคุณทุกครั้งที่คุณจะออกจากบริเวณที่ทำงานอยู่ ถอดแบตเตอรี่หรือสายหัวเทียนออกก่อนที่จะคลายเครื่องป้องกันของเครื่องมือตัด หรือเมื่อจะทำการซ่อมแซม, ปรับ หรือตรวจสอบ
- ใช้งานผลิตภัณฑ์จากตำแหน่งที่อุปกรณ์ป้องกันปิดกั้นเส้นทางการมองเครื่องมือตัด
- ในกรณีฉุกเฉิน ให้ปิดสวิตช์มอเตอร์ทันที
- ในระหว่างการทำงาน หากคุณรู้สึกว่าจะเกิดความผิดปกติขึ้น (เช่น เสียงรบกวน, การสั่นสะเทือน) ให้ปิดสวิตช์มอเตอร์ อย่าใช้งานอุปกรณ์จนกว่าจะรู้สาเหตุและแก้ไขปัญหานั้นแล้ว
- หลังจากปล่อยไคคันเร่งน้ำมันหรือปิดสวิตช์เครื่องยนต์ เครื่องตัดจะยังคงหมุนต่อไปสักกระยะหนึ่ง อย่ารีบร้อนสัมผัสเครื่องตัด
- ประกอบสายสะพายไหล่เมื่อเครื่องยนต์ทำงานในอัตรารอบเดินเบาเท่านั้น
- ในระหว่างการทำงาน ให้ใช้สายสะพายไหล่ ถืออุปกรณ์ทางด้านขวาของคุณอย่างมั่นคง



- จับมือจับด้านหน้าด้วยมือซ้าย และมือจับด้านหลังด้วยมือขวา ไม่ว่าคุณจะเป็นคนที่ถนัดขวาหรือถนัดซ้ายก็ตาม กำรอบมือจับให้แน่นโดยใช้นิ้วหัวแม่มือชนกับนิ้วอื่น
- อย่าพยายามใช้งานอุปกรณ์โดยใช้มือเพียงข้างเดียว การสูญเสียความควบคุม อาจทำให้เกิดการบาดเจ็บร้ายแรงหรือเสียชีวิตได้ เพื่อลดความเสี่ยงจากการบาดเจ็บ ระวังให้มือและเท้าของคุณอยู่ห่างจากเครื่องตัด
- อย่าทำงานในระยะเวลาที่ติดต่อกัน จัดท่าการยืนและการทรงตัวให้เหมาะสม ตลอดเวลา ระมัดระวังสิ่งกีดขวางที่ซ่อนอยู่ เช่น ต้นไม้ รากไม้ และคูน้ำ เพื่อป้องกันการสะดุด
- อย่าทำงานบนบันไดหรือต้นไม้ ทั้งนี้ เพื่อป้องกันการสูญเสียความควบคุม
- หากอุปกรณ์ได้รับแรงกระแทกอย่างรุนแรงหรือร่วงหล่น ให้ตรวจสอบสภาพของอุปกรณ์ก่อนทำงานต่อไป ตรวจสอบระบบเชื้อเพลิงเพื่อหาการรั่วไหลของน้ำมันเชื้อเพลิง และอุปกรณ์ควบคุมและอุปกรณ์นิรภัยอื่นๆ เพื่อหาการทำงานที่ผิดปกติ หากมีความเสียหาย หรือมีข้อสงสัย ควรสอบถามศูนย์บริการที่ได้รับอนุญาตของ Makita เพื่อทำการตรวจสอบและซ่อมแซม
- อย่าสัมผัสกระปุกเฟืองเกียร์ ระหว่างการทำงาน กระปุกเฟืองเกียร์อาจร้อน
- หยุดพักสักครู่ เพื่อป้องกันการสูญเสียความควบคุมอันเนื่องมาจากความเหนื่อยล้า ขอแนะนำให้คุณหยุดพัก 10 - 20 นาที ทุกๆ ชั่วโมง
- เมื่อคุณปล่อยอุปกรณ์ทิ้งไว้ แม้ในระแยะสั้นๆ ควรปิดสวิตช์เครื่องยนต์หรือถอดปลั๊กแบตเตอรี่ออกทุกครั้ง หากทิ้งอุปกรณ์ไว้โดยไม่มีความดูแลโดยที่เครื่องยนต์ยังทำงานอยู่ อาจมีผู้ที่ไม่ได้รับอนุญาตนำไปใช้งาน และทำให้เกิดอุบัติเหตุร้ายแรงได้
- ปฏิบัติตามคู่มือใช้งานของเครื่องมือเพื่อให้สามารถใช้งานกันอย่างปลอดภัยและสะดวกอย่างเหมาะสม
- ในระหว่างหรือหลังจากการทำงาน อย่าวางอุปกรณ์ที่มีความร้อนสูงไว้บนหญ้าแห้งหรือวัสดุที่ติดไฟได้
- หากมีเศษหญ้าหรือกิ่งไม้ติดอยู่ระหว่างเครื่องตัดและอุปกรณ์ป้องกัน ให้หยุดการทำงานของคุณ และถอดฝาครอบหัวเทียนหรือปลั๊กแบตเตอรี่ออกก่อนที่จะทำความสะอาด มิฉะนั้น การหมุนโดยไม่ตั้งใจของใบตัดอาจทำให้เกิดการบาดเจ็บร้ายแรงได้
- หากเครื่องติดกระทบกับก้อนหินหรือวัตถุที่มีความแข็งอื่นๆ ให้ปิดสวิตช์มอเตอร์ทันทีและตรวจสอบเครื่องตัด
- ระหว่างการทำงาน ให้ตรวจสอบเครื่องตัดบ่อยๆ เพื่อดูรอยร้าวหรือความเสียหาย ก่อนทำการตรวจสอบ ให้ปิดสวิตช์เครื่องยนต์ และรอจนกว่าเครื่องตัดจะหยุดสนิท เปลี่ยนเครื่องตัดที่ชำรุดเสียหายทันที แม้ว่าจะมีเพียงรอยร้าวบนผิวนอกก็ตาม
- อย่าตัดไม้ที่มีความสูงเหนือเอว
- ก่อนการเริ่มทำการตัด ให้รอจนกว่าเครื่องตัดจะหมุนด้วยความเร็วเต็มที่หลังจากดึงคันสตาร์ท
- ตรวจสอบท่าทางการยืนบนทางลาดเสมอ
- ให้เดิน อย่างวิ้ง
- ใช้ความระมัดระวังอย่างมากในขณะที่ถือกลับหรือดึงเครื่องตัดขอบเข้าหาตัวคุณ
- ตรวจสอบให้แน่ใจว่าใบตัดได้หยุดนิ่งแล้วก่อน ข้ามพื้นผิวที่ไม่ใช่หญ้า และ

เมื่อย้ายเครื่องตัดขอบไปยังพื้นที่ที่จะตัดขอบ

- หยุดการทำงานของเครื่องยนต์ เมื่อใดก็ตามที่คุณทิ้งเครื่องตัดขอบไว้โดยไม่มีผู้ดูแล

เครื่องตัด

- อย่าใช้ใบตัดที่ไม่เหมาะสมรวมทั้งใบตัดแบบโลหะและใบตัดหมุนเหวี่ยงแกนนอน เนื่องจากอาจทำให้ได้รับบาดเจ็บสาหัสได้
- ใช้อุปกรณ์ป้องกันเครื่องตัดที่เหมาะสมกับใบตัดเสมอ

แรงสั่นสะเทือน

- บุคคลที่มีปัญหาเกี่ยวกับการไหลเวียนของเลือดและได้รับแรงสั่นสะเทือนมากเกินไปอาจได้รับบาดเจ็บบริเวณหลอดเลือดหรือระบบประสาท การสั่นสะเทือนอาจเป็นสาเหตุของอาการต่อไปนี้ที่บริเวณนิ้วมือ มือ หรือข้อมือ "สลบ" (หมดความรู้สึก) ปวด เจ็บ ปวดเหมือนถูกแทง สิวหรือผิวหนังเปลี่ยนแปลง หากเกิดอาการเหล่านี้ โปรดไปพบแพทย์!
- เพื่อลดความเสี่ยงต่อ "โรคนิ้วซีด" ให้รักษามือของคุณให้อุ่นในขณะที่ทำงานและบำรุงรักษาเครื่องมือและอุปกรณ์เสริมให้ดี

การขนย้าย

- ก่อนทำการขนย้ายอุปกรณ์ ให้ปิดสวิตช์มอเตอร์ และนำฝาครอบหัวเทียน หรือดัลล์แบตเตอรี่ออก ถอดเครื่องตัดออก
- เมื่อทำการขนย้ายอุปกรณ์ ให้วางอุปกรณ์ในแนวนอนโดยถือเพลลาไว้กันตัวเก็บเสียงที่มีความร้อนให้อยู่นห่างจากร่างกายของคุณ
- เมื่อทำการขนย้ายอุปกรณ์ในรถยนต์ ให้ยึดอุปกรณ์อย่างถูกต้องเพื่อป้องกันการพลิกคว่ำ มิฉะนั้น น้ำมันอาจรั่วไหล และทำให้เกิดความเสียหายต่ออุปกรณ์และสัมภาระอื่นๆ

การดูแลรักษา

- ให้ศูนย์บริการที่ได้รับอนุญาตซ่อมเครื่องมือของคุณ และใช้อะไหล่ของแท้เท่านั้น การซ่อมที่ไม่ถูกต้องและการบำรุงรักษาที่ไม่เหมาะสมจะทำให้อายุการใช้งานของเครื่องมือสั้นลง และเพิ่มความเสี่ยงต่อการเกิดอุบัติเหตุ
- ก่อนทำงานบำรุงรักษาหรืองานซ่อมแซมหรือการทำความสะอาดอุปกรณ์ ให้ปิดสวิตช์มอเตอร์ และถอดฝาครอบหัวเทียนหรือดัลล์แบตเตอรี่ออกก่อน ทำความสะอาดทุกครั้ง รอจนกว่ามอเตอร์จะเย็นลง
- เพื่อลดความเสี่ยงของการเกิดไฟไหม้ อย่าทำการบำรุงรักษาอุปกรณ์ในบริเวณที่ใกล้กับเปลวไฟ
- สวมถุงมือป้องกันทุกครั้งที่จะจับใบตัด
- ทำความสะอาดฝุ่นผงและสิ่งสกปรกออกจากอุปกรณ์เสมอ อย่าใช้น้ำมัน เชื้อเพลิง เบนซิน ทินเนอร์ แอลกอฮอล์ หรือวัสดุประเภทเดียวกัน เนื่องจากอาจทำให้ส่วนประกอบที่เป็นพลาสติกมีสีซีดจาง ผิดรูปทรง หรือแตกหักได้
- หลังจากการใช้งานทุกครั้ง ให้ขันสกรูและน็อตทุกตัวให้แน่น ยกเว้นสกรูปรับแต่งคาร์บูเรเตอร์
- อย่าพยายามทำการบำรุงรักษาหรืองานซ่อมแซมนอกเหนือไปจากที่ระบุไว้ในคู่มือฉบับนี้และคู่มือใช้งานของเครื่องมือ ขอให้ศูนย์บริการที่ได้รับอนุญาตของ Makita ทำงานดังกล่าวแทน
- ใช้ชิ้นส่วนและอุปกรณ์เสริมของแท้ของ Makita เท่านั้น การใช้ชิ้นส่วนและอุปกรณ์จากผู้ผลิตอื่นอาจทำให้อุปกรณ์ใช้งานไม่ได้ ทรัพย์สินเสียหาย และ/หรือเกิดการบาดเจ็บร้ายแรงได้
- ขอให้ศูนย์บริการที่ได้รับอนุญาตของ Makita ทำการตรวจสอบและบำรุงรักษาอุปกรณ์อย่างสม่ำเสมอ


การจัดเก็บ

- ก่อนจัดเก็บอุปกรณ์ ให้ทำความสะอาดและบำรุงรักษาอุปกรณ์อย่างละเอียด นำฝาครอบหัวเทียนหรือดัลล์แบตเตอรี่ออก ถายน้ำมันเชื้อเพลิงออกหลังจาก

ที่เครื่องยนต์เย็นลง ถอดเครื่องตัดออก

- หากต้องถายน้ำมันออกจากถังน้ำมัน ให้ทำกลางแจ้ง
- จัดเก็บอุปกรณ์ในสถานที่ที่มีภาวะบรรยากาศดีหรือปิดล็อคและอยู่ห่างจากมือเด็ก
- อย่าวางอุปกรณ์ทิ้งกับสิ่งอื่น เช่น ผืนผ้า มิฉะนั้น อุปกรณ์อาจร่วงหล่นลงมาและทำให้เกิดการบาดเจ็บได้

การปฐมพยาบาล

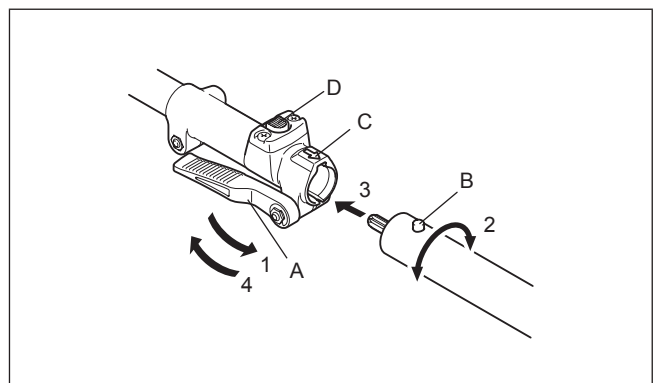
-  ควรมีชุดปฐมพยาบาลอยู่ในบริเวณใกล้เคียงเสมอ เปลี่ยนอุปกรณ์ที่ใช้งานแล้วออกจากกล่องชุดปฐมพยาบาลทันที
- ในขณะที่โทรศัพท์ขอความช่วยเหลือ โปรดแจ้งข้อมูลต่อไปนี้:
 - สถานที่เกิดอุบัติเหตุ
 - เหตุการณ์ที่เกิดขึ้น
 - จำนวนผู้ได้รับบาดเจ็บ
 - ลักษณะของอาการบาดเจ็บ
 - ชื่อของคุณ

การประกอบและการปรับ

⚠ คำเตือน:

- ก่อนประกอบหรือปรับอุปกรณ์ ให้ปิดสวิตช์มอเตอร์ และนำฝาครอบหัวเทียนหรือดัลล์แบตเตอรี่ออก มิฉะนั้น เครื่องตัดหรือชิ้นส่วนอื่นๆ อาจเคลื่อนที่และส่งผลให้ได้รับบาดเจ็บร้ายแรงได้
- สวมถุงมือป้องกันเมื่อสัมผัสกับใบตัด ในระหว่างที่ประกอบหรือปรับอุปกรณ์ นิ้วของคุณอาจสัมผัสกับใบตัด และอาจทำให้เกิดการบาดเจ็บร้ายแรงได้
- เมื่อประกอบหรือปรับอุปกรณ์ ให้วางอุปกรณ์ลงเสมอ การประกอบหรือการปรับอุปกรณ์ในแนวตั้งจากอาจทำให้ได้รับบาดเจ็บร้ายแรงได้
- ปฏิบัติตามคำเตือนและข้อควรระวังในหัวข้อ "ข้อควรระวังด้านความปลอดภัย" ในคู่มือใช้งานของเครื่องมือ

การติดตั้งส่วนประกอบเข้ากับเครื่องมือ



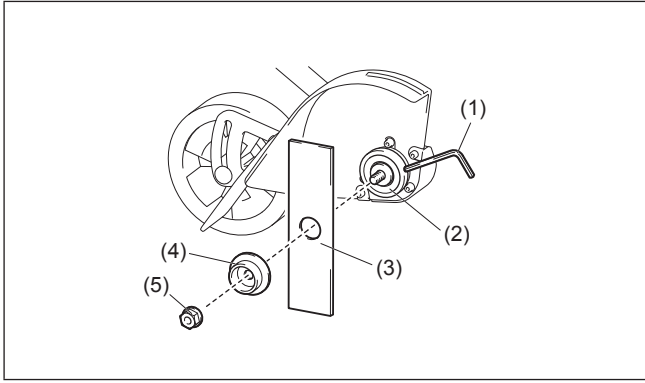
ในการติดตั้งส่วนประกอบเข้ากับเครื่องมือ ให้ปฏิบัติตามขั้นตอนข้างล่างนี้

1. ตรวจสอบว่าได้ขันคันทันล็อก (A) จนแน่น
2. จัดตำแหน่งหมุด (B) ให้ตรงกับเครื่องหมายลูกศร (C)
3. เสียบเพลลาเข้าไปในเพลลาขับเคลื่อนของเครื่องมือจนกระทั่งปุ่มปลดล็อก (D) โผล่ขึ้นมา
4. ขันก้านล็อก (A) ให้แน่นตามภาพประกอบ

ในการถอดส่วนประกอบ ให้คลายเกลียวก้านล็อก กดปุ่มล็อก และถอนแกนเพลลาออกมา

หมายเหตุ: อย่าขันก้านล็อก (A) จนแน่นโดยที่ยังไม่ได้เสียบเพลลาของส่วนประกอบ มิฉะนั้น ก้านล็อกอาจบีบทางเข้าของเพลลาขับเคลื่อนจนแน่นเกินไปและทำให้เพลลาชำรุดเสียหาย

การประกอบหรือการนำใบตัดออก



1. หมุดแหวนรับ (2) ให้รูบนแหวนรับอยู่ในแนวเดียวกับรูบนกระปุกเฟืองเกียร์
2. สอดประแจหกเหลี่ยม (1) ผ่านรู ตรวจสอบให้แน่ใจว่าแหวนรับไม่หมุน
3. จับประแจหกเหลี่ยมไว้ หมุนน็อต (5) ตามเข็มนาฬิกาโดยใช้ประแจช็อกเก็ต
4. ถอดน็อตและแคลมป์ (4) ออก
5. วางใบตัด (3)
6. ใส่แคลมป์และน็อตกลับเข้าที่
7. จับประแจหกเหลี่ยมเอาไว้ หมุนน็อตทวนเข็มนาฬิกาเพื่อยึดใบตัด

หากต้องการถอดใบตัด ให้ปฏิบัติตามขั้นตอนด้านบนตามลำดับย้อนกลับ

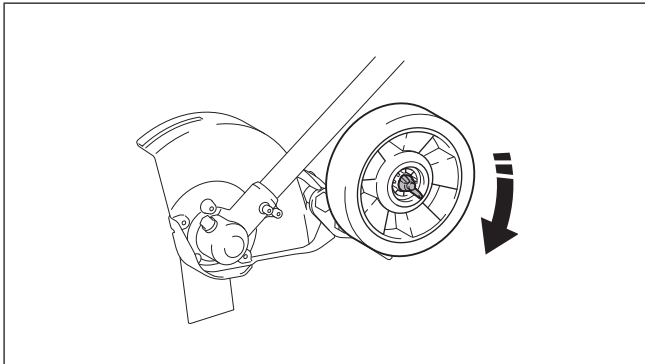
หมายเหตุ: น็อตยึดใบตัด (พร้อมแหวนสปริง) จะสึกหรือไปตามกาลเวลา หากพบว่าน็อตสึกหรือบิดเบี้ยวผิดปกติ ให้เปลี่ยนน็อตใหม่

การทำงาน

⚠ คำเตือน:

- หากเครื่องตัดเคลื่อนที่ในอัตรารอบเดินเบา ปรับความเร็วในอัตรารอบเดินเบาของเครื่องยนต์ให้ลดลง มิฉะนั้น คุณจะไม่สามารถหยุดเครื่องตัดด้วยการปล่อยคันเร่งน้ำมัน และอาจทำให้ได้รับบาดเจ็บร้ายแรงได้
- ปฏิบัติตามคำเตือนและข้อควรระวังในหัวข้อ "ข้อควรระวังด้านความปลอดภัย" ในคู่มือใช้งานของเครื่องมือ

การปรับความลึกของใบตัด



- คลายน็อตบนล้อ
- เลื่อนล้อและปรับความสูงตามที่จะใช้ทำงาน จากนั้นจึงขันน็อตให้แน่น

เคล็ดลับในการปฏิบัติงาน

- ก่อนการตัดขอบ ให้รดน้ำบริเวณดังกล่าวเพื่อให้ดินชุ่มและทำให้การตัดขอบง่ายขึ้น
- ก่อนการตัดขอบ ให้ตรวจสอบพื้นที่และนำสิ่งกีดขวางและวัตถุทั้งหมดที่อาจกระเด็นมาถูกได้ออกไป
- ทำการตัดขอบอย่างสม่ำเสมอเพื่อให้ขอบของต้นไม้มีความเรียบร้อยและง่ายดายขึ้น และเพื่อช่วยให้ไม่ต้องตัดขอบบริเวณเดียวกันมากกว่าหนึ่งครั้ง

หมายเหตุ:

สามารถปรับความลึกของใบตัดได้ตามระดับความสูงที่แตกต่างกันระหว่างผิวนอกที่มีความแข็งและด้านบนสุดของหญ้า

- ปรับความลึกของใบตัดเพื่อสร้างงานตัดที่ประณีตระหว่างทางเดินและหญ้า โดยใช้ความลึกของใบตัดต่ำสุด ซึ่งปกติแล้วจะมีความลึกจากใบตัดถึงพื้นดินประมาณ 13 มม. (1/2")

การตรวจสอบและการบำรุงรักษา

⚠ คำเตือน:

- ก่อนตรวจสอบหรือบำรุงรักษาอุปกรณ์ ให้ปิดสวิทช์เครื่องยนต์ และนำฝาครอบหัวเทียนหรือสับเบตเตอร์ออก มิฉะนั้น เครื่องตัดหรือชิ้นส่วนอื่นๆ อาจเคลื่อนที่และส่งผลให้ได้รับบาดเจ็บร้ายแรงได้
- เมื่อตรวจสอบหรือบำรุงรักษาอุปกรณ์ ให้วางอุปกรณ์ลงเสมอ การประกอบหรือการปรับอุปกรณ์ในแนวตั้งจากอาจทำให้ได้รับบาดเจ็บร้ายแรงได้
- ปฏิบัติตามคำเตือนและข้อควรระวังในหัวข้อ "ข้อควรระวังด้านความปลอดภัย" ในคู่มือใช้งานของเครื่องมือ

การลับคมเครื่องตัด

⚠ คำเตือน:

ห้ามลับใบตัดด้วยตนเอง การลับใบตัดด้วยมือจะทำให้ใบตัดเสียสมดุล และเป็นสาเหตุให้เกิดการสั่นสะเทือนและทำให้อุปกรณ์เสียหาย

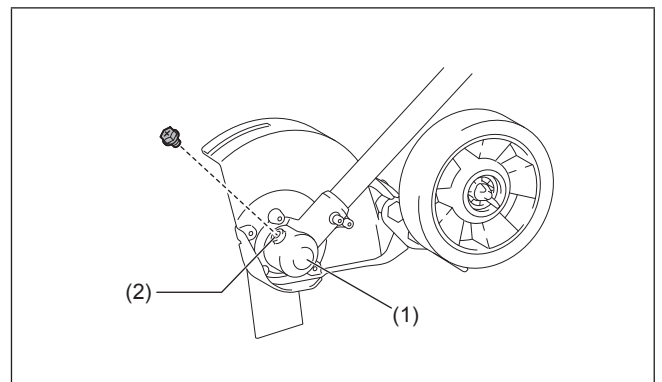
ให้แจ้งศูนย์บริการที่ได้รับอนุญาตของ Makita เพื่อลับและปรับสมดุลใบตัดที่ถือให้

การหล่อลื่นชิ้นส่วนที่เคลื่อนที่

หมายเหตุ: ปฏิบัติตามคำแนะนำเกี่ยวกับความถี่และปริมาณจาระบีที่ใช้ทำงาน มิฉะนั้น การหล่อลื่นที่ไม่เพียงพออาจทำให้ชิ้นส่วนที่เคลื่อนที่ได้เสียหายได้

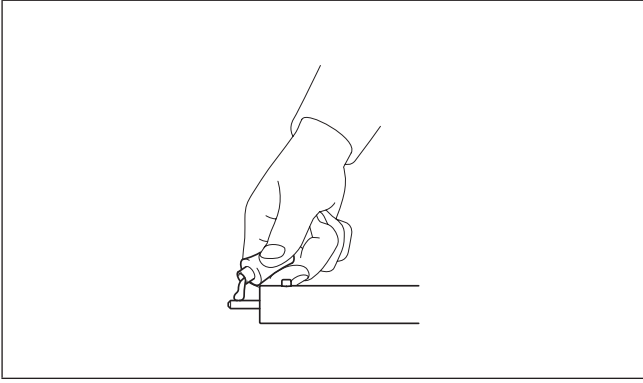
กระปุกเฟืองเกียร์:

หยอดจาระบี (Shell Alvania 2 หรือเทียบเท่า) ลงในกระปุกเฟืองเกียร์ (1) ทางรูหยอดจาระบี (2) ทุกๆ 30 ชั่วโมงของการทำงาน (สามารถสั่งซื้อจาระบีของแท้ของ Makita ผ่านทางตัวแทนจำหน่าย Makita ของคุณ)



แกนขับเคลื่อน:

หยอดจาระบี (Shell Alvania No. 2 หรือเทียบเท่า) ทุกๆ 30 ชั่วโมง ของการทำงาน



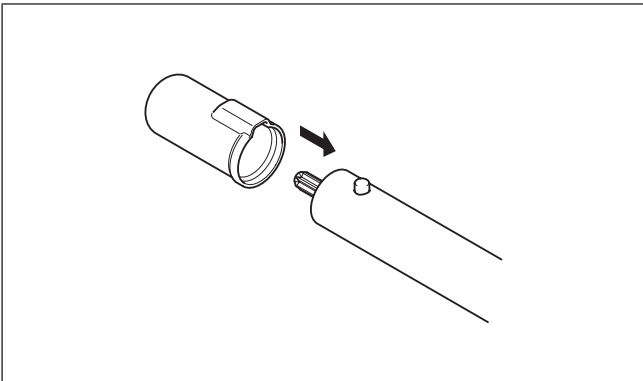
การตรวจสอบโดยรวม

- ชันโบลต์ น็อต และสกรูที่หลวมให้แน่น
- ตรวจสอบชิ้นส่วนที่ชำรุด ขอให้ศูนย์บริการที่ได้รับอนุญาตของ Makita เปลี่ยนให้ใหม่

การจัดเก็บ

⚠ คำเตือน:

ปฏิบัติตามคำเตือนและข้อควรระวังในหัวข้อ "ข้อควรระวังด้านความปลอดภัย" ในคู่มือใช้งานของเครื่องมือ



เมื่อทำการจัดเก็บส่วนประกอบเครื่องตัดขอบแยกจากเครื่องมือ ให้ใส่ฝาปิดที่ปลายแกนเพลลา

ตารางเวลาการดูแลรักษาเครื่อง

ชั่วโมงการทำงาน		ก่อนการทำงาน	ทุกวัน (10 ชม.)	30 ชม.	หากจำเป็น	หน้าที่เกี่ยวข้อง
ตัวเครื่องทั้งหมด	ตรวจสอบชิ้นส่วนที่ชำรุดด้วยสายตา	○				69
สกรูและน็อตที่ยึดทั้งหมด	ขันให้แน่น	○				69
กระปุกเฟืองเกียร์	หยอดจาระบี			○		68
แกนขับเคลื่อน	หยอดจาระบี			○		68
ใบตัด	ตรวจสอบความเสียหายด้วยสายตา	○	○			68
เครื่องมือ	คู่มือใช้งานของเครื่องมือ					

การแก้ไขปัญหา

ปัญหา	สาเหตุที่อาจเป็นไปได้	วิธีแก้ไขปัญหา
เครื่องยนต์ไม่ทำงาน	คู่มือใช้งานของเครื่องมือ	
เครื่องยนต์หยุดทำงานทันทีที่สตาร์ท		
ความเร็วสูงสุดถูกจำกัด		
เครื่องตัดไม่หมุน ➔ หยุดการทำงานของมอเตอร์ทันที!	ไม่ได้ขันใบตัดให้แน่น กึ่งไม่เข้าไปติดระหว่างใบตัดและอุปกรณ์ป้องกัน ระบบขับเคลื่อนทำงานผิดปกติ	ขันยึดใบตัดให้แน่น นำวัตถุแปลกปลอมออก ขอให้ศูนย์บริการที่ได้รับอนุญาตของ Makita ทำการตรวจสอบและซ่อมแซม
ตัวเครื่องหลักสั่นสะเทือนผิดปกติ ➔ หยุดการทำงานของมอเตอร์ทันที!	ใบตัดโค้งงอ, สึกหรือแตกหัก ไม่ได้ขันใบตัดให้แน่น ใบตัดไม่พอดีกับแหวนรับ ระบบขับเคลื่อนทำงานผิดปกติ	เปลี่ยนใบตัดชุดใหม่ ขันยึดใบตัดให้แน่น ติดตั้งใบตัดอย่างถูกต้อง ขอให้ศูนย์บริการที่ได้รับอนุญาตของ Makita ทำการตรวจสอบและซ่อมแซม
เครื่องตัดไม่หยุดหมุน ➔ หยุดการทำงานของมอเตอร์ทันที!	เครื่องมือทำงานผิดปกติ	คู่มือใช้งานของเครื่องมือ

ข้อมูลทางเทคนิค

รุ่น		EE400MP
ขนาด (ย x ก x ส)	มม. (นิ้ว)	878 x 131 x 291 (34-1/2" x 5-1/8" x 11-1/2")
น้ำหนักสุทธิ (ไม่รวมอุปกรณ์ป้องกันและใบตัด)	กก. (ปอนด์)	2.4 (5.4)
ขนาดเส้นผ่านศูนย์กลางของใบตัด	มม. (นิ้ว)	203 (8")
อัตราทดเกียร์		14/29

Makita Corporation
3-11-8, Sumiyoshi-cho,
Anjo, Aichi 446-8502 Japan

885310D939

www.makita.com

ALA