


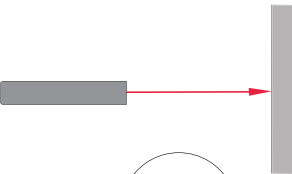
ON → **ON**

CLEAR OFF → **OFF**

 2 sec


ON



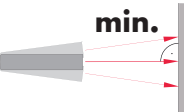


 8.532 m


ON 2 sec





 min.

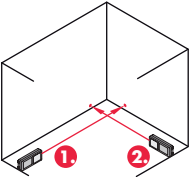



 max.





 **1x**




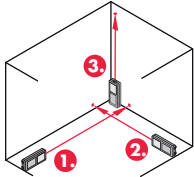



 **2 sec**






 **2x**




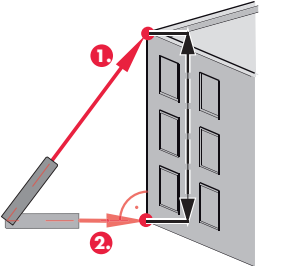



 **2 sec**





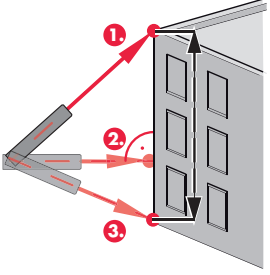
 **3x**







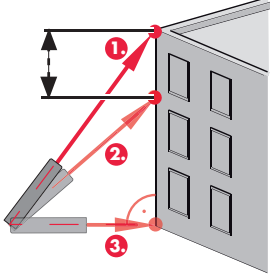
 **4x**







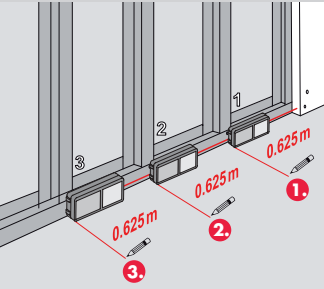
 **5x**






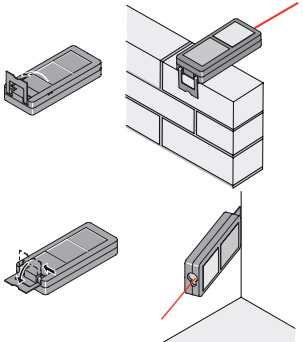
 **6x**




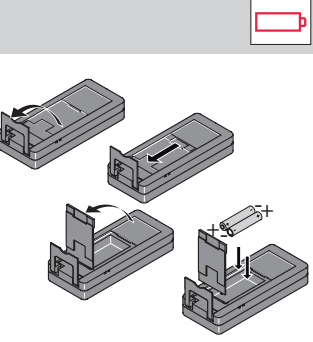


 0.625 m



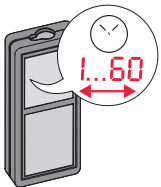




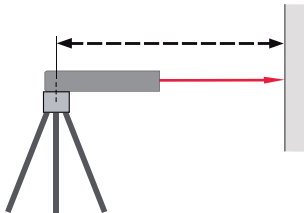
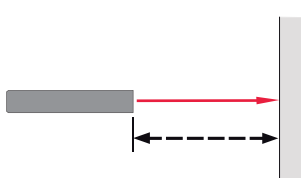




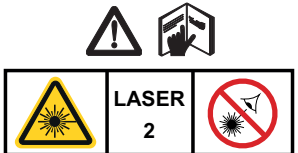
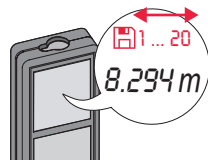




Adjust delay of automatic release



History (1-20)



$\lambda=635\text{nm}$ $P_{\text{av}}=0.95\text{mW}$ $t_p>400\text{ps}$
IEC 60825-1:2014

www.makita.com



LCA796832a



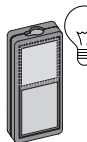
2 sec



2 sec

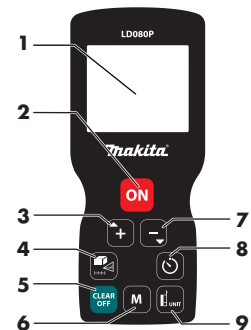


2 sec



LD080P

QUICKSTART



- 1 Display
- 2 On / Measure
- 3 Add
- 4 Area / Volume / Pythagoras / Stake out
- 5 Clear / Off
- 6 Memory
- 7 Subtract
- 8 Timer
- 9 Measuring reference / Units