

INSTRUCTION MANUAL  
MANUEL D'INSTRUCTION  
MANUAL DE INSTRUCCIONES

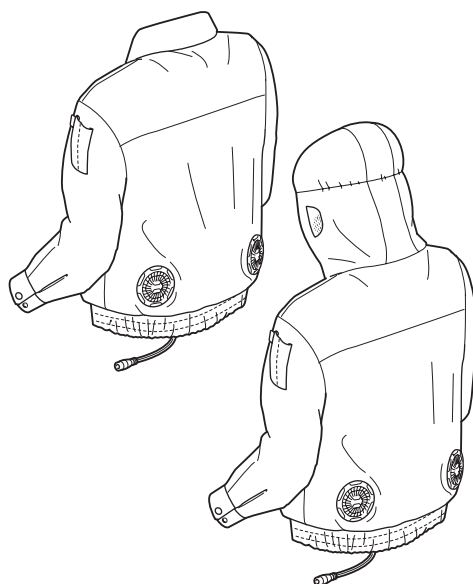


# Cordless Fan Jacket

## Blouson ventilé sans fil

## Chamarra Ventilada Inalámbrica

DFJ206  
DFJ207  
DFJ304  
DFJ305  
DFJ405  
DFJ407



**IMPORTANT:** Read Before Using.

**IMPORTANT :** Lire avant usage.

**IMPORTANTE:** Lea antes de usar.

# SPECIFICATIONS

<b>Model:</b>		DFJ206	DFJ207	DFJ304	DFJ305	DFJ405	DFJ407
USB power supply port (optional accessory)		DC 5V, 2.1A, Type A					
Rated voltage		DC 10.8 V - 12V max DC 14.4 V DC 18 V					
Battery cartridge	10.8 V - 12V max	BL1016, BL1021B, BL1041B					
	14.4 V	BL1430, BL1430B					
	18 V	BL1815N, BL1820B, BL1830, BL1830B, BL1840B, BL1850B, BL1860B					
Material	Outer	Polyester 100%	Cotton 100%	Polyester (100%) + titanium pearly coating			
	Pocket	Cotton 100%					
	Shoulder pad	-				Polyester 65% + Cotton 35%	

- Due to our continuing program of research and development, the specifications herein are subject to change without notice.
- Specifications and battery cartridge may differ from country to country.











## Operating time





Air speed	Battery		
	BL1041B	BL1430B	BL1860B
HIGH	6.0 hours	10.5 hours	18.5 hours
MEDIUM	11.5 hours	18.5 hours	26.5 hours
LOW	17.0 hours	27.5 hours	40.0 hours

- The operating times in the above table are a rough guideline. They may differ from actual operating times.
- Operating times may differ depending on battery type, charging status, and usage condition.

## Symbols

The following show the symbols used for the equipment. Be sure that you understand their meaning before use.

	Read the instruction manual.
	Machine wash at below 30°C on the gentle cycle.
 	Machine wash at below 40°C on the gentle cycle.
	Machine wash in domestic or commercial machines on normal settings.
 	Do not bleach.
 	Line dry in the shade.
	Do not wring.

	Iron at low temperatures (not exceeding 110°C).
	Iron at medium temperatures (not exceeding 150°C).
	Do not iron.
	Do not dry clean.

# SAFETY WARNINGS

## READ AND FOLLOW ALL INSTRUCTIONS.

**⚠WARNING:** To reduce the risk of injury, do not permit children to use this product unless they are closely supervised at all time.

**⚠WARNING:** Read all safety warnings and all instructions. Failure to follow the warnings and instructions may result in electric shock, fire and/or serious injury.

1. Never use the fan jacket when temperature reach more than 50°C (122°F). Also avoid use in high humidity. Doing so may cause burns.
2. Do not wear the jacket over bare skin.
3. Do not use the jacket while you are under the influence of drugs, alcohol or medication.
4. Do not sleep while wearing the fan jacket. A steep decline of body temperature may harm your health.
5. Children, handicapped persons, or anyone who is insensitive to temperature, for example, someone with poor blood circulation, should refrain from using the jacket.
6. This appliance is not intended for medical use in hospitals.
7. Do not use the jacket other than for its intended purpose.
8. If you sense anything unusual, switch off the jacket and remove the battery holder immediately.
9. If any abnormality is found, contact your local service center for repair.
10. Do not stamp on, throw or otherwise abuse the fan jacket.
11. Do not put your finger or a foreign object into the fan unit.
12. Do not blow compressed air toward the fan. Do not put small sticks into the fan unit. Doing so may damage the fan and motor.
13. Do not turn on the fan jacket unless you are wearing it.
14. Do not use the fan jacket in places where a fire or spark could be generated. The fan unit may catch fire or spark and cause a fire or burns.
15. Choose the appropriate fan speed in accordance with the usage environment for continuous use.
16. Do not wear any clothing over the fan jacket.
17. Keep the nameplate on the fan unit. If it becomes unreadable or goes missing, contact your local service center for repair.
18. Before washing, detach the fan unit and battery holder, remove the battery cartridge. Wash the jacket part only.

19. Do not leave the fan jacket in a place subject to high heat, such as a car sitting in the sun. Doing so may cause plastic parts to melt and become damaged.
20. For long time storage, remove the battery holder and battery cartridge from the jacket, and remove the battery cartridge from the battery holder.
21. When storing, keep the fan jacket, fan units, battery holder, and battery cartridge out of reach of children.

## Electrical safety

1. Do not expose the jacket to rain or wet conditions. Keep water away from electrical parts. Water entering the jacket may increase the risk of an electric shock.
2. Recharge only with the charger specified by the manufacturer. A charger that is suitable for one type of battery pack may create a risk of fire when used with another battery pack.
3. Only use with specifically designated batteries. Use of any other battery may create a risk of injury and fire.
4. When the battery pack is not in use, keep it away from other metal objects, such as paper clips, coins, keys, nails, screws or other small metal objects that can make a connection from one terminal to another.
5. Under abusive conditions, liquid may be ejected from the battery; avoid contact. If contact accidentally occurs, flush the affected area with water.
6. Do not handle the cord and battery with wet or greasy hands.
7. Do not use the fan jacket when the cord or plug is damaged.
8. Do not abuse the cord. Do not use the cord for carrying, pulling or unplugging the jacket. Keep the cord away from heat, oil, and sharp edges.
9. Do not leave any cord disconnected while the battery power is supplied. Small children may put the live plug in their mouth and cause injury.
10. Do not use the supplied cord with appliances other than the fan unit.
11. Do not insert nails, wires, or other items into the USB power supply port. Doing so may cause short circuit, which can cause smoke or a fire.
12. Do not connect the power source to the USB port. The USB port is only intended for charging lower voltage devices. Always place the cover over the USB port when not charging a lower voltage device. Otherwise there is risk of fire.

## Important safety instructions for battery cartridge

1. Before using battery cartridge, read all instructions and cautionary markings on (1) battery charger, (2) battery, and (3) product using battery.
2. Do not disassemble battery cartridge.
3. If operating time has become excessively shorter, stop operating immediately. It may result in a risk of overheating, possible burns and even an explosion.
4. If electrolyte gets into your eyes, rinse them out with clear water and seek medical attention right away. It may result in loss of your eyesight.
5. Do not short the battery cartridge:
  - (1) Do not touch the terminals with any conductive material.
  - (2) Avoid storing battery cartridge in a container with other metal objects such as nails, coins, etc.
  - (3) Do not expose battery cartridge to water or rain.

**A battery short can cause a large current flow, overheating, possible burns and even a breakdown.**
6. Do not store the tool and battery cartridge in locations where the temperature may reach or exceed 50 °C (122 °F).
7. Do not incinerate the battery cartridge even if it is severely damaged or is completely worn out. The battery cartridge can explode in a fire.
8. Be careful not to drop or strike battery.
9. Do not use a damaged battery.
10. The contained lithium-ion batteries are subject to the Dangerous Goods Legislation requirements.

For commercial transports e.g. by third parties, forwarding agents, special requirement on packaging and labeling must be observed. For preparation of the item being shipped, consulting an expert for hazardous material is required. Please also observe possibly more detailed national regulations.

Tape or mask off open contacts and pack up the battery in such a manner that it cannot move around in the packaging.
11. Follow your local regulations relating to disposal of battery.

## SAVE THESE INSTRUCTIONS.

**⚠ CAUTION:** Only use genuine Makita batteries. Use of non-genuine Makita batteries, or batteries that have been altered, may result in the battery bursting causing fires, personal injury and damage. It will also void the Makita warranty for the Makita tool and charger.

## Tips for maintaining maximum battery life

1. Charge the battery cartridge before completely discharged. Always stop tool operation and charge the battery cartridge when you notice less tool power.
2. Never recharge a fully charged battery cartridge. Overcharging shortens the battery service life.
3. Charge the battery cartridge with room temperature at 10 °C - 40 °C (50 °F - 104 °F). Let a hot battery cartridge cool down before charging it.
4. Charge the battery cartridge if you do not use it for a long period (more than six months).

## FCC caution

### For United States

This device complies with Part 15 of the FCC Rules. Operation is subject to the following two conditions: (1) this device may not cause harmful interference, and (2) this device must accept any interference received, including interference that may cause undesired operation.

Changes or modifications not expressly approved by the party responsible for compliance could void the user's authority to operate the equipment.

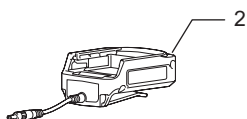
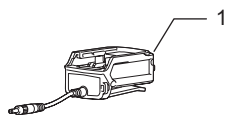
**Note:** This equipment has been tested and found to comply with the limits for a Class B digital device, pursuant to part 15 of the FCC Rules. These limits are designed to provide reasonable protection against harmful interference in a residential installation. This equipment generates, uses and can radiate radio frequency energy and, if not installed and used in accordance with the instructions, may cause harmful interference to radio communications. However, there is no guarantee that interference will not occur in a particular installation. If this equipment does cause harmful interference to radio or television reception, which can be determined by turning the equipment off and on, the user is encouraged to try to correct the interference by one or more of the following measures:

- Reorient or relocate the receiving antenna.
- Increase the separation between the equipment and receiver.
- Connect the equipment into an outlet on a circuit different from that to which the receiver is connected.
- Consult the dealer or an experienced radio/TV technician for help.

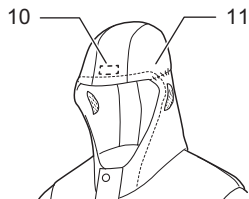
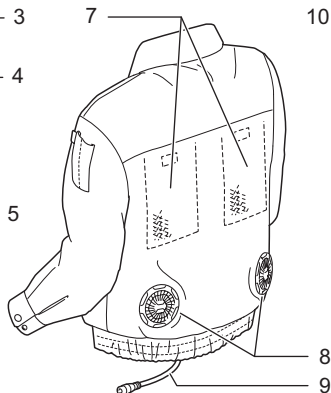
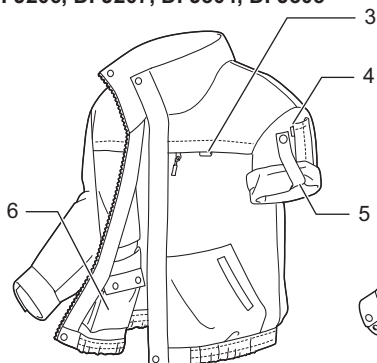
## ICES-003 standard

CAN ICES-3(B)/NMB-3(B)

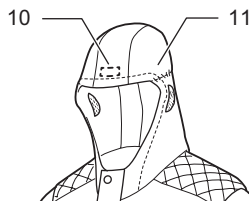
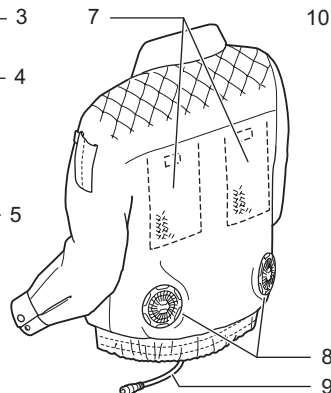
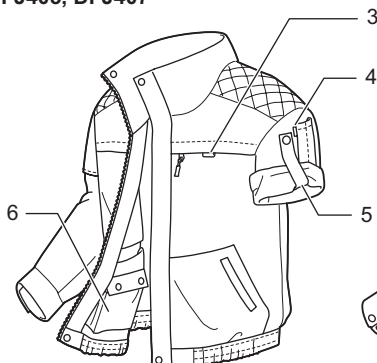
# PARTS DESCRIPTION



## DFJ206, DFJ207, DFJ304, DFJ305

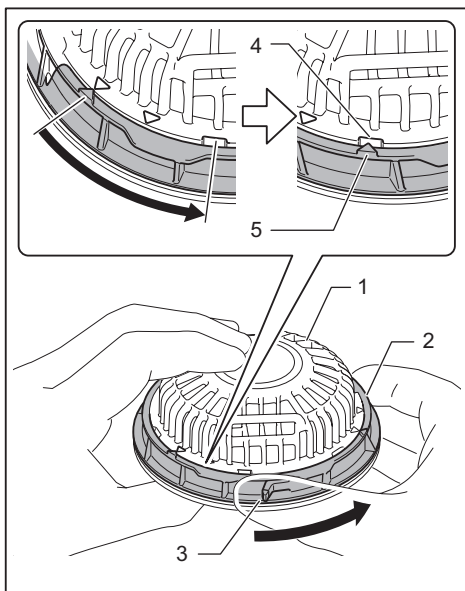


## DFJ405, DFJ407



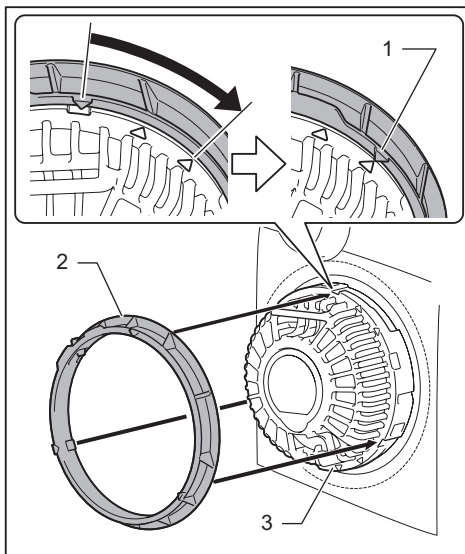
1	Battery holder (10.8 V - 12 V max) (optional accessory)	2	Battery holder (14.4 V /18 V) (optional accessory)	3	Loop for name badge	4	Loop for arm badge
5	Sleeve holder	6	Battery pocket	7	Mesh pocket for ice pack	8	Fan unit
9	Power cable	10	Anti-slip rubber (DFJ207, DFJ305 and DFJ407 only)	11	Hood (DFJ207, DFJ305 and DFJ407 only)	-	-





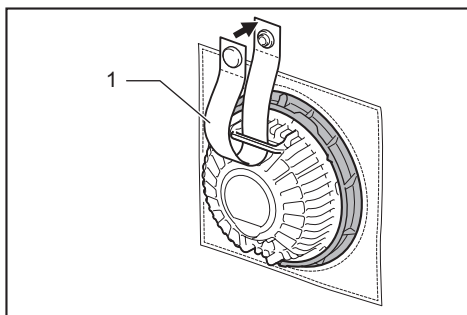
► 1. Fan unit 2. Ring 3. Hook 4. Slot 5. Mark

2. Pass the head of the fan unit into the hole on the jacket. Set the ring onto the fan unit and turn it clockwise until the mark on the ring aligns with the mark further from the slot.



► 1. Mark 2. Ring 3. Fan unit

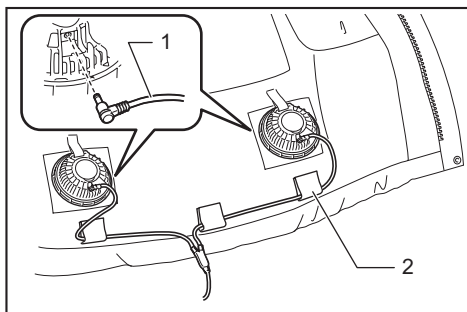
3. Pass the strip through the loop on the fan unit and fasten the snap button.



► 1. Strip

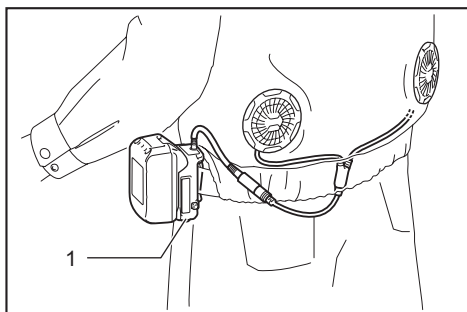
4. Attach the other fan unit to the jacket in the same way.

5. Connect the cable to the fan units. Support the cable using the cable holder.



► 1. Cable 2. Cable holder

6. Connect the other end of the cable to the battery holder.



► 1. Battery holder

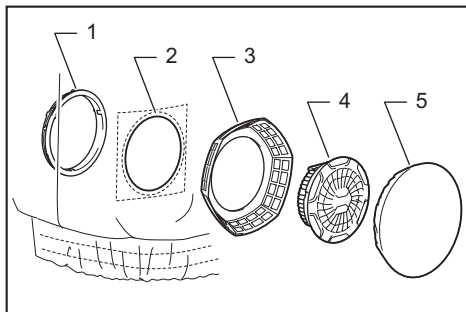
**CAUTION:** Always use the strip and snap button to secure the fan unit to the jacket. If the fan unit falls, it may cause an injury, or damage to the fan unit.

Follow the installation procedure in reverse when removing it.

## Attaching the filter set

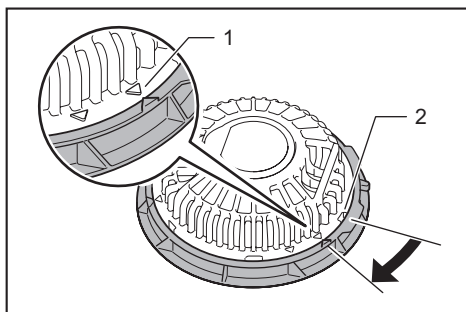
### Optional accessory

The filter set protects the fan unit from dust and powder. We recommend that you use the filter set in a dusty or powdery work place. Insert the filter attachment between the jacket and fan unit as shown in the figure.



- ▶ 1. Ring 2. Hole in the jacket 3. Filter attachment 4. Fan unit 5. Filter

When tightening the ring, stop it at the mark near the slot on the fan unit. After attaching the fan units, cover the filter attachments with filters.



- ▶ 1. Mark 2. Slot

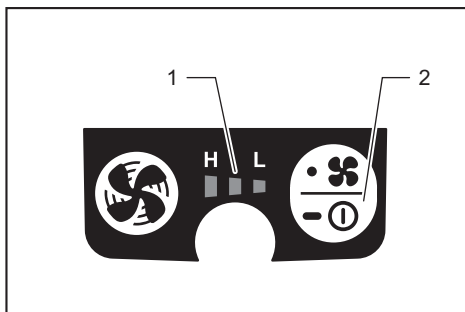
**NOTICE:** Make sure that the filter fully covers the filter attachment. For better protection against dust and powder, tuck the skirt of the filter between the jacket and filter attachment.

## FUNCTIONAL DESCRIPTION

**NOTICE:** The fan jacket is effective when the humidity and temperature of intake air are lower than those of the body surface. The fan jacket may not be effective if the air temperature and/or humidity are higher than those inside the jacket.

### Power button

To turn on the jacket, press and hold the power button on the battery holder (optional accessory). The jacket starts at high air speed. Each time you tap the power button, the air speed changes from high to medium, medium to low, and low to high. The air speed indicator shows the current air speed.

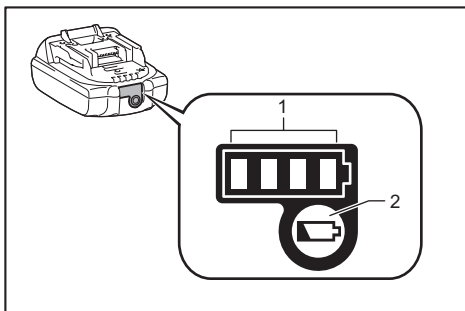


- ▶ 1. Air speed indicator 2. Power button

To turn off, press and hold the power button again.

### Indicating the remaining battery capacity

*Only for battery cartridges with the indicator*



- ▶ 1. Indicator lamps 2. Check button

Press the check button on the battery cartridge to indicate the remaining battery capacity. The indicator lamps light up for few seconds.



Indicator lamps			Remaining capacity
Lighted	Off	Blinking	
■	□	▬	75% to 100%
■ ■ ■ ■			50% to 75%
■ ■ □ □			25% to 50%
■ □ □ □			0% to 25%
▬ □ □ □			Charge the battery.
(For 14.4 V and 18 V batteries only)			
■ ■ □ □			The battery may have malfunctioned.
□ □ ■ ■			
(For 14.4 V and 18 V batteries only)			

**NOTE:** Depending on the conditions of use and the ambient temperature, the indication may differ slightly from the actual capacity.

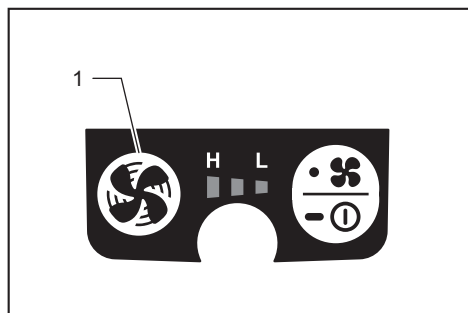
## Battery protection system

The device is equipped with a battery protection system. This system automatically cuts off power to the motor to extend battery life.

If the remaining battery capacity is too low, the device will not operate. When you turn the device on, the motor will run again, but stops soon. In this situation, remove and recharge the battery cartridge.

## Turbo button

By pressing turbo button on the battery holder, the jacket works in turbo mode for quick cooling. Turbo mode lasts for a minute and then air speed returns to normal.



► 1. Turbo button

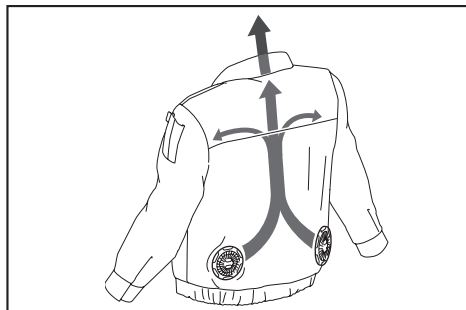
## Air flow

To maintain a stable air flow, close the button at the neck of the jacket. Fasten the button on the ribbon for better air flow in the back.

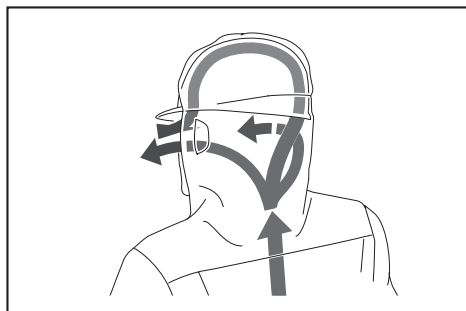


► 1. Ribbon

Air flow inside the jacket is shown below.

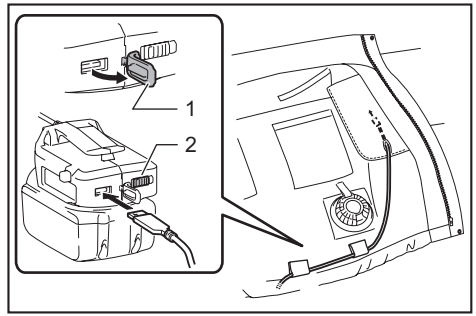
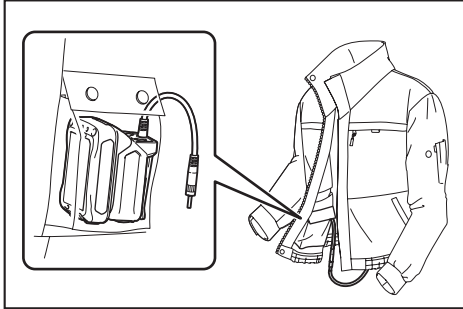


For a jacket with a hood, wear the hood over a helmet. The air from the fan goes through the helmet and cools your head.



## Battery pocket

A pocket is provided for storing the 10.8 V - 12 V max battery holder (with battery) inside the jacket. Connect the power cable to the battery holder, and then put it into the pocket and fasten the snap buttons.



► 1. Cover 2. Switch

The battery holder (with the battery) supplies DC5V, 2.1A. The USB cable can be placed inside the jacket for convenience using the hole in the pocket and the cable holder.

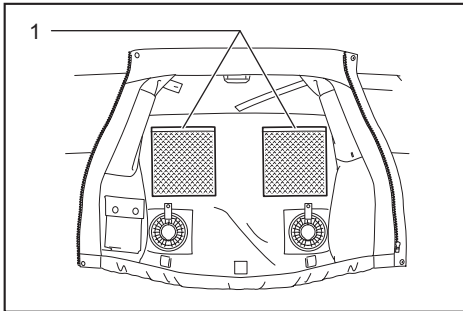
**NOTE:** The battery holder may not supply power to some USB devices.

**NOTE:** When not using or after charging, remove the USB cable and close the cover.

**NOTE:** Battery power is consumed while the switch is turned on. Always turn off the switch when not in use.

## Mesh pocket

Mesh pockets are provided on the back of the jacket for storing ice packs.



► 1. Mesh pocket

## Connecting USB devices

**CAUTION:** Connect only devices that are compatible with the USB power supply port. Not doing so may cause a malfunction of the battery holder.

**NOTICE:** Before connecting a USB device to the battery holder (with the battery), always back up the data on the USB device. Not doing so may cause a loss of your data.

The battery holder (with the battery) can work as an external power supply for USB devices.

Open the cover and connect a USB cable (not included) to the power supply port of the battery holder. Then connect the other end of the cable to the device and turn on the switch next to the USB port.

## MAINTENANCE

**CAUTION:** Always be sure that the jacket is switched off and the battery cartridge is removed before attempting to perform inspections or maintenance.

**CAUTION:** If the jacket does not switch on or any fault is found with a fully charged battery cartridge, clean the terminals of the battery holder and the battery cartridge. If the jacket still does not work properly, stop using the jacket and contact our authorized service center.

**NOTICE:** Never use gasoline, benzine, thinner, alcohol or the like. Discoloration, deformation or cracks may result.

## Cleaning the jacket

Detach the fan unit(s) and battery holder from the jacket before washing. Follow the instructions on the tag.

**For DFJ304 and DFJ305**

Cotton products may shrink when washed.

Do not wash the jacket with other clothes. Doing so may cause color fading or color transfer.

**For DFJ405 and DFJ407**

Use a laundry net when using a washing machine.

# OPTIONAL ACCESSORIES

**⚠ CAUTION:** These accessories or attachments are recommended for use with your Makita tool specified in this manual. The use of any other accessories or attachments might present a risk of injury to persons. Only use accessory or attachment for its stated purpose.

If you need any assistance for more details regarding these accessories, ask your local Makita Service Center.

- Battery holder
- Filter set
- Makita genuine battery and charger

**NOTE:** Some items in the list may be included in the tool package as standard accessories. They may differ from country to country.

## MAKITA LIMITED ONE YEAR WARRANTY

### Warranty Policy

Every Makita tool is thoroughly inspected and tested before leaving the factory. It is warranted to be free of defects from workmanship and materials for the period of ONE YEAR from the date of original purchase. Should any trouble develop during this one year period, return the COMPLETE tool, freight prepaid, to one of Makita's Factory or Authorized Service Centers. If inspection shows the trouble is caused by defective workmanship or material, Makita will repair (or at our option, replace) without charge.

This Warranty does not apply where:

- repairs have been made or attempted by others:
- repairs are required because of normal wear and tear:
- the tool has been abused, misused or improperly maintained:
- alterations have been made to the tool.

IN NO EVENT SHALL MAKITA BE LIABLE FOR ANY INDIRECT, INCIDENTAL OR CONSEQUENTIAL DAMAGES FROM THE SALE OR USE OF THE PRODUCT. THIS DISCLAIMER APPLIES BOTH DURING AND AFTER THE TERM OF THIS WARRANTY.

MAKITA DISCLAIMS LIABILITY FOR ANY IMPLIED WARRANTIES, INCLUDING IMPLIED WARRANTIES OF "MERCHANTABILITY" AND "FITNESS FOR A SPECIFIC PURPOSE," AFTER THE ONE YEAR TERM OF THIS WARRANTY.

This Warranty gives you specific legal rights, and you may also have other rights which vary from state to state. Some states do not allow the exclusion or limitation of incidental or consequential damages, so the above limitation or exclusion may not apply to you. Some states do not allow limitation on how long an implied warranty lasts, so the above limitation may not apply to you.

## SPÉCIFICATIONS

Modèle :		DFJ206	DFJ207	DFJ304	DFJ305	DFJ405	DFJ407
Port d'alimentation USB (accessoire en option)		C.C. 5 V, 2,1 A, Type A					
Tension nominale		C.C. 10,8 V - 12 V max. C.C. 14,4 V C.C. 18 V					
Batterie	10,8 V - 12 V max.	BL1016, BL1021B, BL1041B					
	14,4 V	BL1430, BL1430B					
	18 V	BL1815N, BL1820B, BL1830, BL1830B, BL1840B, BL1850B, BL1860B					
Matériau	Extérieur	100% polyester	100% coton	Polyester (100%) + revêtement de titane nacré			
	Poche	100% coton					
	Rembourrage des épaules	-				65% polyester + 35% coton	

- Étant donné l'évolution constante de notre programme de recherche et développement, les spécifications contenues dans ce manuel sont sujettes à modification sans préavis.
- Les spécifications et la batterie peuvent varier suivant les pays.

## Temps de fonctionnement

Vitesse du flux d'air	Batterie		
	BL1041B	BL1430B	BL1860B
ÉLEVÉE	6,0 heures	10,5 heures	18,5 heures
MOYENNE	11,5 heures	18,5 heures	26,5 heures
BASSE	17,0 heures	27,5 heures	40,0 heures

- Les temps de fonctionnement du tableau ci-dessus ne sont qu'approximatifs. Ils peuvent être différents des véritables temps de fonctionnement.
- Les temps de fonctionnement peuvent varier suivant le type de batterie, l'état de charge et les conditions d'utilisation.

## Symboles

Les symboles utilisés pour l'équipement sont indiqués ci-après. Vous devez avoir compris leur signification avant l'utilisation.

	Lisez le manuel d'instructions.
	Laver à la machine à moins de 30°C et à cycle délicat.
	Laver à la machine à moins de 40°C et à cycle délicat.
	Laver à la machine et avec les réglages ordinaires des machines domestiques ou industrielles.
	Ne pas javelliser.
	Faire sécher à l'ombre.

	Ne pas essorer.
	Passer le fer à basse température (ne pas dépasser 110°C).
	Passer le fer à température moyenne (ne pas dépasser 150°C).
	Ne pas repasser.
	Ne pas nettoyer à sec.

# CONSIGNES DE SÉCURITÉ

**VEUILLEZ LIRE ET RESPECTER TOUTES LES INSTRUCTIONS.**

**▲MISE EN GARDE :** Pour réduire les risques de blessure, ne laissez pas les enfants utiliser ce produit, à moins qu'ils ne soient surveillés étroitement en tout temps.

**▲MISE EN GARDE :** Veuillez lire toutes les mises en garde de sécurité et toutes les instructions. L'ignorance des mises en garde et des instructions comporte un risque de décharge électrique, d'incendie et/ou de blessure grave.

1. N'utilisez jamais le blouson ventilé lorsque la température dépasse 50°C (122°F). Évitez également l'utilisation lorsque le taux d'humidité est élevé. Cela peut causer des brûlures.
2. Ne portez pas le blouson directement sur la peau nue.
3. N'utilisez pas le blouson lorsque vous êtes sous l'influence d'une drogue, de l'alcool ou d'un médicament.
4. Ne portez pas le blouson ventilé pour dormir. Une baisse marquée de la température corporelle peut affecter votre santé.
5. Les enfants, les personnes handicapées ou les personnes insensibles à la température - par exemple, quelqu'un dont la circulation sanguine est mauvaise - doivent éviter de porter le blouson.
6. Cet appareil n'est pas conçu pour l'usage médical dans les hôpitaux.
7. N'utilisez pas le blouson à d'autres fins que celle pour laquelle il a été conçu.
8. Si vous ressentez quoi que ce soit d'inhabituel, éteignez immédiatement le blouson et retirez le porte-batterie.
9. Si vous constatez toute anomalie, contactez le centre de service après-vente local pour faire une demande de réparation.
10. Évitez de piétiner, de lancer ou de maltraiter de toute autre le blouson ventilé.
11. Ne mettez pas le doigt ou tout corps étranger dans l'unité de ventilation.
12. Ne soufflez pas d'air comprimé vers le ventilateur. Ne mettez pas de bâtonnets dans l'unité de ventilation. Cela peut endommager le ventilateur et le moteur.
13. N'allumez le blouson ventilé que lorsque vous le portez.
14. N'utilisez pas le blouson ventilé dans les emplacements où peuvent être générés un feu ou des étincelles. Au contact du feu ou des étincelles, l'unité de ventilation peut causer un incendie ou des brûlures.
15. Choisissez la vitesse de ventilation adéquate permettant l'usage continu dans l'environnement d'utilisation.

16. Ne portez aucun vêtement par-dessus le blouson ventilé.
17. Laissez la plaque signalétique sur l'unité de ventilation. Si elle devient illisible ou si vous l'égarez, contactez le centre de service après-vente local pour faire une demande de réparation.
18. Avant de laver le blouson, détachez l'unité de ventilation et le porte-batterie, et retirez la batterie. Ne lavez que le blouson lui-même.
19. Ne laissez pas le blouson ventilé dans un emplacement exposé à une chaleur élevée, comme dans une voiture laissée au soleil. Cela peut endommager les pièces de plastique en les faisant fondre.
20. Pour un rangement prolongé, retirez le porte-batterie et la batterie du blouson, et retirez la batterie du porte-batterie.
21. Rangez le blouson ventilé, les unités de ventilation, le porte-batterie et la batterie hors de la portée des enfants.

## Sécurité électrique

1. N'exposez pas le blouson à la pluie ou à des surfaces mouillées. Gardez l'eau à l'écart des composants électriques. L'infiltration d'eau dans le blouson peut accroître le risque de décharge électrique.
2. Ne rechargez qu'avec le chargeur spécifié par le fabricant. Un chargeur conçu pour un certain type de batterie risque de déclencher un incendie s'il est utilisé avec une autre batterie.
3. N'utilisez que les batteries spécifiquement désignées. Il y a risque de blessure et d'incendie si une autre batterie est utilisée.
4. Lorsque vous n'utilisez pas la batterie, gardez-la à l'écart des objets métalliques tels que trombones, pièces de monnaie, clés, clous, vis ou autres petits objets métalliques qui risqueraient d'établir une connexion entre les bornes.
5. Dans des conditions d'utilisation inadéquates de la batterie, il peut y avoir fuite d'électrolyte; évitez tout contact avec ce liquide. En cas de contact accidentel, rincez la partie atteinte avec de l'eau.
6. Ne manipulez pas le cordon et la batterie avec les mains mouillées ou grasses.
7. N'utilisez pas le blouson ventilé si le cordon ou la fiche est endommagé.
8. Ne maltraitez pas le cordon. N'utilisez pas le cordon pour transporter, tirer ou débrancher le blouson. Gardez le cordon à l'écart des sources de chaleur, de l'huile et des objets à bords tranchants.
9. Ne laissez aucun cordon déconnecté pendant l'alimentation par la batterie. Les jeunes enfants pourraient se blesser en mettant la fiche sous tension dans leur bouche.
10. N'utilisez pas le cordon fourni avec d'autres appareils que l'unité de ventilation.
11. N'insérez pas de clous, fils métalliques ou autres objets dans le port d'alimentation USB. Cela risque de causer un court-circuit qui, à son tour, peut causer de la fumée ou un incendie.

12. Ne connectez pas la source d'alimentation au port USB. Le port USB est conçu uniquement pour charger les appareils à faible tension. Mettez toujours le couvercle sur le port USB lorsque la charge d'un appareil à faible tension n'est pas en cours. Autrement, il y a risque d'incendie.

## Consignes de sécurité importantes pour la batterie

1. Avant d'utiliser la batterie, lisez toutes les instructions et les mises en garde apposées sur (1) le chargeur de batterie, (2) la batterie et (3) le produit utilisant la batterie.
2. Ne démontez pas la batterie.
3. Cessez immédiatement l'utilisation si le temps de fonctionnement devient excessivement court. Il y a risque de surchauffe, de brûlures, voire d'explosion.
4. Si l'électrolyte pénètre dans vos yeux, rincez-les à l'eau claire et consultez immédiatement un médecin. Il y a risque de perte de la vue.
5. Ne court-circuitez pas la batterie :
  - (1) Ne touchez les bornes avec aucun matériau conducteur.
  - (2) Évitez de ranger la batterie dans un conteneur avec d'autres objets métalliques tels que clous, pièces de monnaie, etc.
  - (3) Évitez d'exposer la batterie à l'eau ou à la pluie. Un court-circuit de la batterie pourrait provoquer un fort courant, une surchauffe, parfois des brûlures et même une panne.
6. Ne rangez pas l'outil ou la batterie dans des emplacements où la température peut atteindre ou dépasser 50 °C (122 °F).
7. Ne jetez pas la batterie au feu même si elle est sérieusement endommagée ou complètement épuisée. La batterie peut exploser au contact du feu.
8. Prenez garde d'échapper ou de heurter la batterie.
9. N'utilisez pas une batterie si elle est endommagée.
10. Les batteries lithium-ion fournies sont soumises aux exigences de la législation sur les marchandises dangereuses.

Des exigences particulières sur l'emballage et l'étiquetage doivent être respectées lors du transport commercial par des tiers, des transitaires, etc. Pour préparer la marchandise à expédier, consultez un expert en matériaux dangereux si nécessaire. Respectez aussi les éventuelles réglementations nationales plus détaillées.

Recouvrez de ruban isolant les contacts exposés, et emballez la batterie de sorte qu'elle ne puisse pas se déplacer à l'intérieur de l'emballage.
11. Suivez la réglementation locale concernant l'élimination de la batterie.

## CONSERVEZ CES INSTRUCTIONS.

**ATTENTION** : Utilisez exclusivement les batteries fabriquées par Makita. Les batteries autres que celles fabriquées par Makita ou les batteries modifiées peuvent exploser et causer un incendie, une blessure ou des dommages. Cela annule aussi la garantie Makita de l'outil et du chargeur Makita.

## Conseils pour maintenir la durée de service maximale de la batterie

1. Rechargez la batterie avant qu'elle ne soit complètement déchargée. Arrêtez toujours l'outil et rechargez la batterie quand vous remarquez que la puissance de l'outil diminue.
2. Ne rechargez jamais une batterie complètement chargée. La surcharge réduit la durée de service de la batterie.
3. Chargez la batterie à une température ambiante comprise entre 10 °C et 40 °C (50 °F et 104 °F). Si la batterie est chaude, laissez-la refroidir avant de la charger.
4. Chargez la batterie si elle est restée inutilisée pendant une période prolongée (plus de six mois).

## Mise en garde de la FCC

### Pour les États-Unis

Cet appareil est conforme à la Section 15 des Règlements de la FCC. L'utilisation est sujette aux deux conditions suivantes :

- (1) cet appareil ne peut pas causer de brouillage préjudiciable ; et
- (2) cet appareil doit accepter tout brouillage subi, y compris le brouillage pouvant causer un fonctionnement indésirable.

Les changements et modifications non explicitement approuvés par la partie responsable de la conformité peuvent annuler le droit de l'utilisateur à utiliser l'équipement.

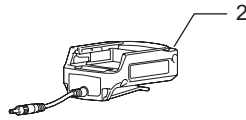
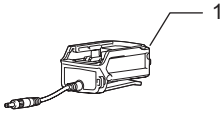
**Note** : Cet équipement a fait l'objet d'essais et a été jugé conforme aux limites pour appareil numérique de classe B, en conformité à la Section 15 des Règlements de la FCC. Ces limites sont conçues pour assurer une protection raisonnable contre le brouillage préjudiciable dans une installation résidentielle. Cet équipement génère, utilise et peut rayonner de l'énergie de fréquence radio et, s'il n'est pas installé et utilisé conformément aux instructions, peut causer du brouillage préjudiciable sur les communications radio. Rien ne garantit toutefois qu'il n'y aura pas de brouillage dans une installation particulière. Si cet équipement cause du brouillage préjudiciable sur la réception de la radio ou du téléviseur, ce qui peut être vérifié en éteignant et rallumant l'équipement, l'utilisateur est invité à essayer d'annuler le brouillage par l'une ou plusieurs des mesures suivantes :

- Réorienter ou déplacer l'antenne de réception.
- Augmenter la distance qui sépare l'équipement du récepteur.
- Brancher l'équipement sur la prise d'un circuit différent de celui sur lequel le récepteur est branché.
- Demander l'aide du détaillant ou d'un technicien radio/TV expérimenté.

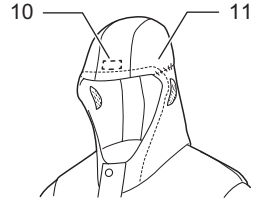
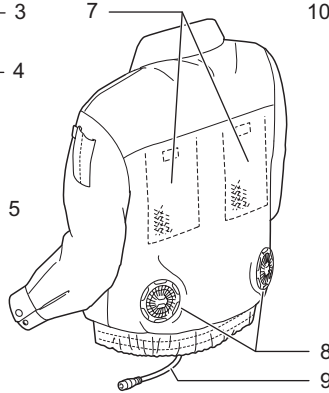
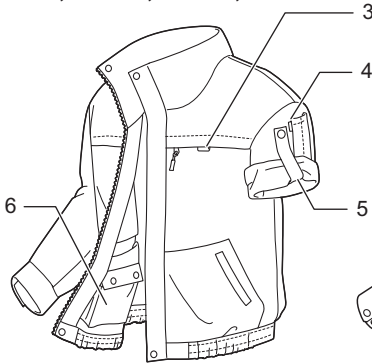
## Norme ICES-003

CAN ICES-3(B)/NMB-3(B)

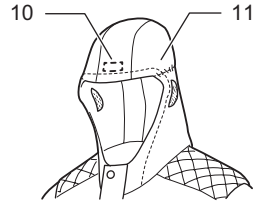
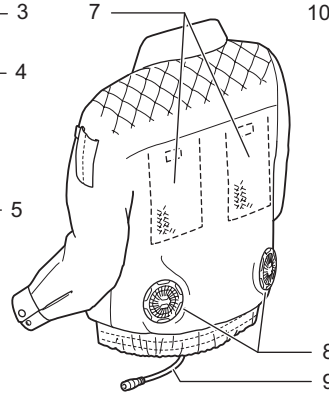
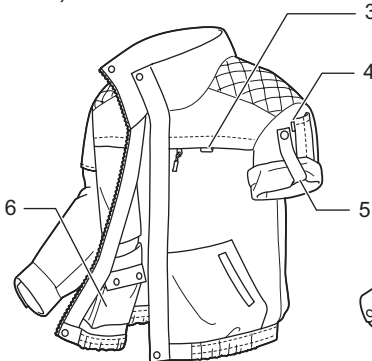
# DESCRIPTION DES PIÈCES



## DFJ206, DFJ207, DFJ304, DFJ305



## DFJ405, DFJ407



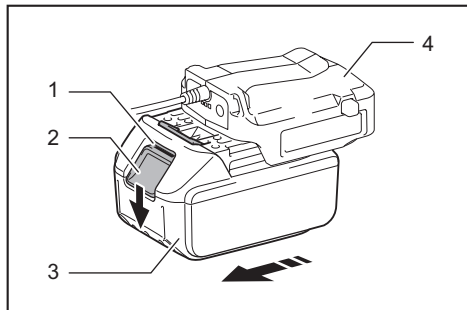
1	Porte-batterie (10,8 V - 12 V max.) (accessoire en option)	2	Porte-batterie (14,4 V /18 V) (accessoire en option)	3	Boucle pour porte-nom	4	Boucle pour brassard
5	Porte-manche	6	Poche pour batterie	7	Poche en filet pour sachet réfrigérant	8	Unité de ventilation
9	Câble d'alimentation	10	Caoutchouc antidérapant (DFJ207, DFJ305 et DFJ407 uniquement)	11	Capuchon (DFJ207, DFJ305 et DFJ407 uniquement)	-	-

# POSE

## Pose ou retrait de la batterie

**⚠ ATTENTION :** Éteignez toujours l'appareil avant d'installer ou de retirer la batterie.

**⚠ ATTENTION :** Tenez fermement le porte-batterie et la batterie pendant la pose ou le retrait de la batterie. Si le porte-batterie et la batterie ne sont pas tenus fermement, ils risquent de vous glisser des mains et de subir des dommages et/ou de vous blesser.



► 1. Voyant rouge 2. Bouton 3. Batterie 4. Porte-batterie (accessoire en option)

Pour installer la batterie, alignez sa languette sur la rainure pratiquée dans le boîtier, et glissez la batterie en place. Insérez la batterie à fond, jusqu'à ce qu'elle se verrouille en place avec un léger bruit sec. Si vous pouvez voir la marque rouge sur le dessus du bouton, la batterie n'est pas complètement verrouillée.

Pour retirer la batterie, faites-la glisser hors du porte-batterie tout en appuyant sur le bouton à l'avant de la batterie.

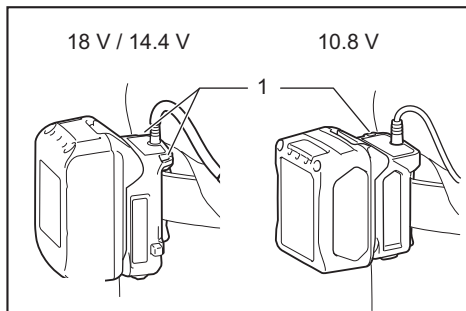
**⚠ ATTENTION :** Installez toujours la batterie à fond, jusqu'à ce que la marque rouge ne soit plus visible. Autrement, la batterie risque de tomber accidentellement du porte-batterie et de causer une blessure, à vous ou à quelqu'un près de vous.

**⚠ ATTENTION :** Ne forcez pas sur la batterie pour l'installer. Si la batterie ne glisse pas facilement, c'est qu'elle n'est pas insérée correctement.

## Fixation du porte-batterie

Vous pouvez accrocher le porte-batterie à votre ceinture de taille.

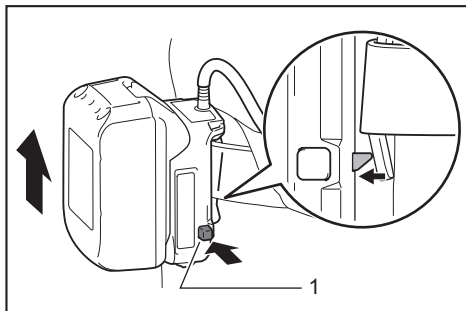
Pour éviter que le porte-batterie ne tombe accidentellement, faites passer une courroie dans l'orifice pour sangle et fixez-la.



► 1. Orifice pour sangle

### Pour porte-batteries 18 V et 14,4 V

Le porte-batterie est doté d'une fonction antichute. Pour retirer le porte-batterie de la ceinture, tirez-le vers le haut tout en appuyant sur le bouton de déverrouillage.

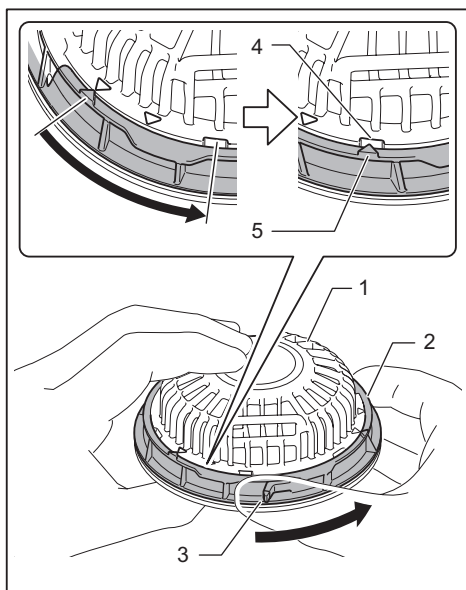


► 1. Bouton de déverrouillage

## Pose ou retrait de l'unité de ventilation

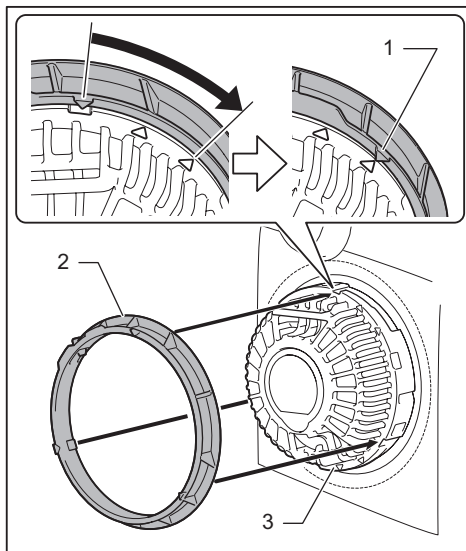
1. Tournez la bague dans le sens contraire des aiguilles d'une montre tout en soulevant son crochet. Retirez la bague lorsque sa marque est alignée sur la fente de l'unité de ventilation.





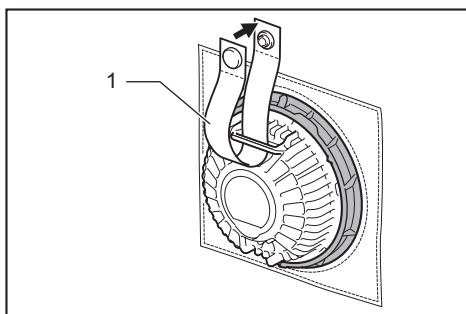
► 1. Unité de ventilation 2. Bague 3. Crochet 4. Fente 5. Marque

2. Faites passer la tête de l'unité de ventilation dans l'orifice du blouson. Placez la bague sur l'unité de ventilation et tournez-la dans le sens des aiguilles d'une montre jusqu'à ce que la marque de la bague s'aligne sur la marque plus loin de la fente.



► 1. Marque 2. Bague 3. Unité de ventilation

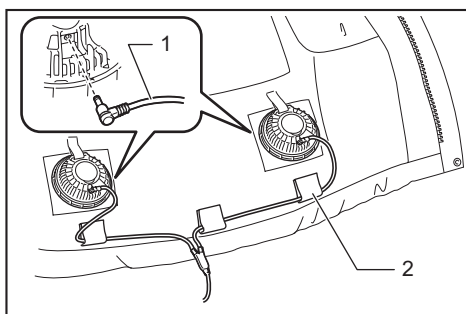
3. Faites passer la bande à travers la boucle de l'unité de ventilation et serrez le bouton-pression.



► 1. Bande

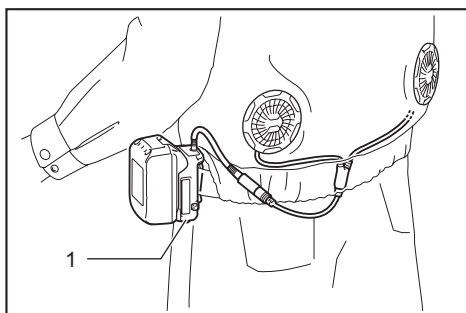
4. Procédez de la même manière pour fixer l'autre unité de ventilation sur le blouson.

5. Connectez le câble aux unités de ventilation. Soutenez le câble à l'aide du porte-câble.



► 1. Câble 2. Porte-câble

6. Connectez l'autre extrémité du câble au porte-batterie.



► 1. Porte-batterie

**⚠ ATTENTION :** Utilisez toujours la bande et le bouton-pression pour fixer l'unité de ventilation au blouson. Si l'unité de ventilation tombe, elle risque de causer une blessure ou de subir des dommages.

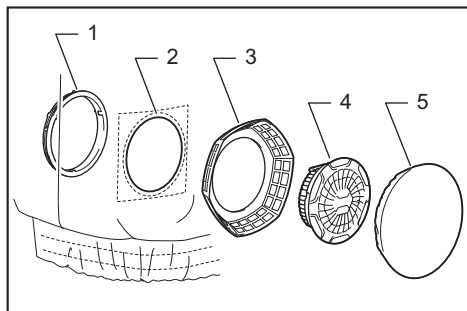
Pour la retirer, effectuez la procédure d'installation en sens inverse.

## Fixation de l'ensemble-filtre

### Accessoire en option

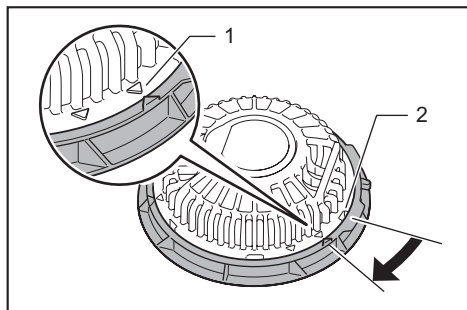
L'ensemble-filtre protège l'unité de ventilation contre la poussière et la poudre. Il est recommandé d'utiliser l'ensemble-filtre dans les lieux de travail poussiéreux ou poudreux.

Insérez la fixation pour filtre entre le blouson et l'unité de ventilation tel qu'indiqué sur la figure.



- 1. Bague 2. Orifice du blouson 3. Fixation pour filtre  
4. Unité de ventilation 5. Filtre

Lorsque vous serrez la bague, arrêtez-la à la marque près de la fente de l'unité de ventilation. Après avoir fixé les unités de ventilation, recouvrez les fixations pour filtre avec les filtres.



- 1. Marque 2. Fente

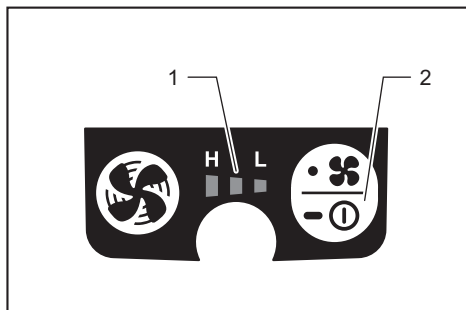
**AVIS :** Assurez-vous que le filtre recouvre complètement la fixation pour filtre. Pour une protection accrue contre la poussière et la poudre, rentrez la collerette du filtre entre le blouson et la fixation pour filtre.

## DESCRIPTION DU FONCTIONNEMENT

**AVIS :** Le blouson ventilé est efficace lorsque l'humidité et la température de l'air d'admission sont inférieures à celles de la surface du corps. Il se peut que le blouson ventilé ne soit pas efficace si la température et/ou l'humidité de l'air est supérieure à celle(s) à l'intérieur du blouson.

## Bouton d'alimentation

Pour allumer le blouson, maintenez le bouton d'alimentation enfoncé sur le porte-batterie (accessoire en option). Le blouson démarre avec un flux d'air de vitesse élevée. La vitesse du flux d'air change chaque fois que vous tapez sur le bouton d'alimentation, comme suit : élevée à moyenne, moyenne à basse, et basse à élevée. L'indicateur de vitesse du flux d'air indique la vitesse actuelle du flux d'air.

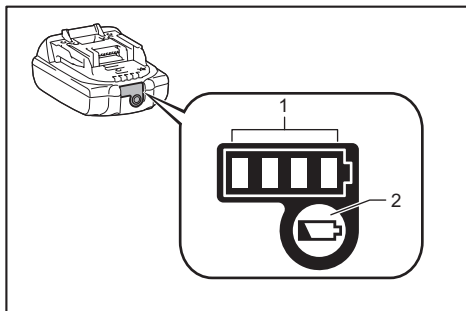


- 1. Indicateur de vitesse du flux d'air 2. Bouton d'alimentation

Pour l'éteindre, maintenez de nouveau le bouton d'alimentation enfoncé.

## Affichage de la charge restante de la batterie

*Uniquement pour les batteries avec voyant*



- 1. Témoins indicateurs 2. Bouton de vérification

Appuyez sur le bouton de vérification de la batterie pour afficher la charge restante de la batterie. Les témoins indicateurs s'allument pendant quelques secondes.

Témoins indicateurs			Charge restante
Allumé	Éteint	Clignotant	
■	□	◻	75 % à 100 %
■	■	■	50 % à 75 %
■	■	□	25 % à 50 %
■	□	□	0 % à 25 %
◻	□	□	Chargez la batterie.
(Pour les batteries 14,4 V et 18 V uniquement)			
■	■	□	La batterie a peut-être mal fonctionné.
□	□	■	
(Pour les batteries 14,4 V et 18 V uniquement)			

**NOTE :** Suivant les conditions d'utilisation et la température ambiante, il se peut que l'indication soit légèrement différente de la charge réelle.

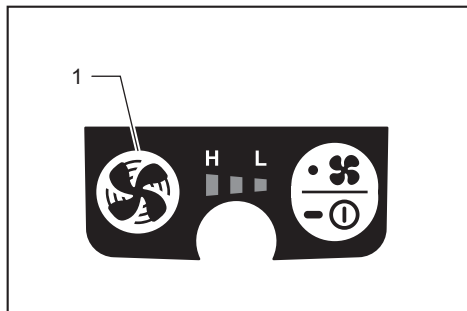
## Dispositif de protection de la batterie

Cet appareil est doté d'un dispositif de protection de la batterie. Ce dispositif coupe automatiquement l'alimentation du moteur pour prolonger la durée de service de la batterie.

Si la charge restante de la batterie est trop basse, l'appareil ne fonctionnera pas. Lorsque vous allumerez l'appareil, le moteur tournera de nouveau mais s'arrêtera aussitôt. Le cas échéant, retirez et rechargez la batterie.

## Bouton turbo

Lorsque vous appuyez sur le bouton turbo du porte-batterie, le blouson fonctionne en mode turbo pour refroidissement rapide. Le mode turbo dure une minute, puis la vitesse normale du flux d'air est rétablie.



► 1. Bouton turbo

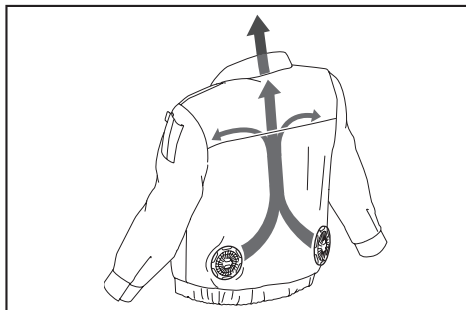
## Flux d'air

Pour maintenir un flux d'air stable, fermez le bouton sur le col du blouson. Attachez le bouton du ruban pour obtenir un meilleur flux d'air dans le dos.

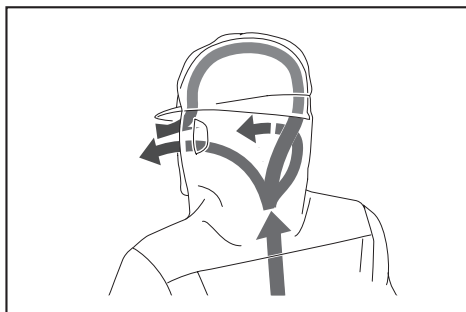


► 1. Ruban

Le flux d'air à l'intérieur du blouson est illustré ci-dessous.

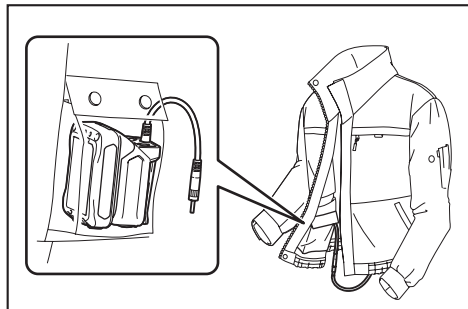


Si le blouson a un capuchon, portez le capuchon par-dessus un casque. L'air du ventilateur souffle à travers le casque et refroidit votre tête.



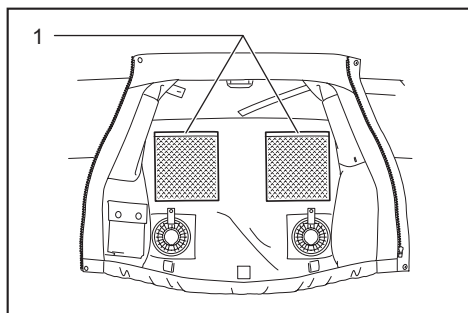
## Poche pour batterie

Une poche est prévue pour ranger le porte-batterie 10,8 V - 12 V max. (avec la batterie) à l'intérieur du blouson. Connectez le câble d'alimentation au porte-batterie, puis mettez-le dans la poche et serrez les boutons-pression.



## Poche en filet

Des poches en filet sont prévues dans le dos du blouson pour y ranger des sachets réfrigérants.



► 1. Poche en filet

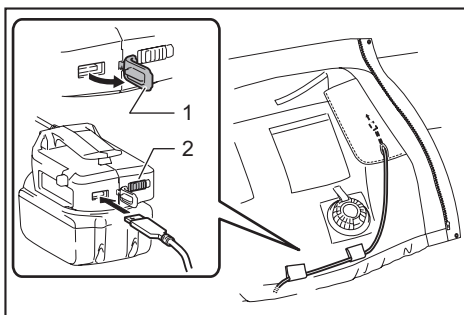
## Connexion d'appareils USB

**ATTENTION :** Connectez uniquement les appareils compatibles avec le port d'alimentation USB. Autrement, cela peut causer un dysfonctionnement du porte-batterie.

**AVIS :** Avant de connecter l'appareil USB au porte-batterie (avec la batterie), sauvegardez toujours les données de l'appareil USB. Autrement, vous risquez de perdre vos données.

Le porte-batterie (avec la batterie) peut faire office de source d'alimentation externe pour les appareils USB.

Ouvrez le couvercle et connectez le câble USB (non fourni) au port d'alimentation du porte-batterie. Connectez ensuite l'autre extrémité du câble à l'appareil, et mettez en position de marche le commutateur qui se trouve à côté du port USB.



► 1. Couvercle 2. Commutateur

Le porte-batterie (avec la batterie) fournit du C.C. 5 V, 2,1 A. Le câble USB peut être mis à l'intérieur du blouson pour plus de commodité, en le faisant passer par l'orifice de la poche et par le porte-câble.

**NOTE :** Il se peut que le porte-batterie ne puisse pas alimenter certains appareils USB.

**NOTE :** Lorsqu'il n'est pas utilisé, ou après la charge, retirez le câble USB et fermez le couvercle.

**NOTE :** La consommation du courant de la batterie se poursuit tant que le commutateur reste en position de marche. Mettez toujours le commutateur en position d'arrêt après l'utilisation.

## ENTRETIEN

**ATTENTION :** Assurez-vous toujours que le blouson est éteint et que la batterie est retirée avant d'entreprendre tout travail d'inspection ou d'entretien.

**ATTENTION :** Si le blouson ne s'allume pas ou si vous constatez tout problème de fonctionnement même avec une batterie complètement chargée, nettoyez les bornes du porte-batterie et de la batterie. Si le blouson ne fonctionne toujours pas bien, cessez d'utiliser le blouson et contactez notre centre de service après-vente agréé.

**AVIS :** N'utilisez jamais d'essence, de benzine, de solvant, d'alcool ou autres produits similaires. Une décoloration, une déformation ou la formation de fissures peuvent en découler.

## Nettoyage du blouson

Avant de laver le blouson, enlevez les unités de ventilation et le porte-batterie. Suivez les instructions de l'étiquette.

### Pour DFJ304 et DFJ305

Les produits de coton peuvent rétrécir au lavage. Ne lavez pas le blouson avec d'autres vêtements. Cela peut causer de la décoloration ou un transfert de couleur.

### Pour DFJ405 et DFJ407

Utilisez un filet à lessive pour laver à la machine.

# ACCESSOIRES EN OPTION

**⚠ ATTENTION** : Ces accessoires ou pièces complémentaires sont recommandés pour l'utilisation avec l'outil Makita spécifié dans ce manuel. L'utilisation de tout autre accessoire ou pièce complémentaire peut comporter un risque de blessure. N'utilisez les accessoires ou pièces complémentaires qu'aux fins auxquelles ils ont été conçus.

Si vous désirez obtenir plus de détails sur ces accessoires, veuillez contacter le centre de service après-vente Makita le plus près.

- Porte-batterie
- Ensemble-filtre
- Chargeur et batterie authentiques Makita

**NOTE** : Certains éléments de la liste peuvent être inclus avec l'outil comme accessoires standards. Ils peuvent varier suivant les pays.

## GARANTIE LIMITÉE D'UN AN DE MAKITA

### Politique de garantie

Tous les outils Makita sont soigneusement inspectés et mis à l'essai avant de quitter l'usine. Ils sont garantis contre les vices de fabrication et de matériau pour une période d'UN AN suivant la date de l'achat original. Si un problème survient pendant cette période d'un an, retournez l'outil COMPLET, fret payé d'avance, à une usine ou un centre de service après-vente autorisé Makita. S'il ressort de l'inspection que le problème est dû à un vice de fabrication ou de matériau, Makita réparera (ou remplacera, à son gré) l'outil gratuitement. Cette garantie ne s'applique pas dans les cas où :

- des réparations ont été effectuées ou tentées par un tiers;
- des réparations sont nécessaires en raison de l'usure normale;
- l'outil a été malmené, mal utilisé ou non adéquatement entretenu;
- l'outil a subi des modifications.

MAKITA NE SERA EN AUCUN CAS RESPONSABLE DE TOUS DOMMAGES INDIRECTS, ACCESSOIRES OU CONSÉCUTIFS DE LA VENTE OU DE L'UTILISATION DU PRODUIT. CET AVIS DE NON-RESPONSABILITÉ S'APPLIQUE PENDANT ET APRÈS LA PÉRIODE COUVERTE PAR CETTE GARANTIE. MAKITA DÉCLINE TOUTE RESPONSABILITÉ QUANT À TOUTES GARANTIES IMPLICITES, Y COMPRIS LES GARANTIES DE « QUALITÉ MARCHANDE » OU D'« ADAPTATION À UN USAGE PARTICULIER » APRÈS LA PÉRIODE DE GARANTIE D'UN AN.

Cette garantie vous donne des droits légaux spécifiques, et vous pouvez également avoir d'autres droits qui varient d'une province à l'autre. Certaines provinces n'autorisant pas l'exclusion ou la restriction des dommages accessoires ou consécutifs, il se peut que la restriction ou l'exclusion ci-dessus ne s'applique pas à vous. Certaines provinces n'autorisant pas de restriction quant à la durée des garanties implicites, il se peut que la restriction ci-dessus ne s'applique pas à vous.

## ESPECIFICACIONES

Modelo:		DFJ206	DFJ207	DFJ304	DFJ305	DFJ405	DFJ407
Puerto USB de alimentación eléctrica (accesorio opcional)		CC 5 V, 2,1 A, Tipo A					
Tensión nominal		CC 10,8 V - 12 V máx. CC 14,4 V CC 18 V					
Cartucho de batería	10,8 V - 12 V máx.	BL1016, BL1021B, BL1041B					
	14,4 V	BL1430, BL1430B					
	18 V	BL1815N, BL1820B, BL1830, BL1830B, BL1840B, BL1850B, BL1860B					
Material	Exterior	100% poliéster	100% algodón	Poliéster (100%) + recubrimiento de titanio aperlado			
	Bolsillo	100% algodón					
	Hombreira	-				65% poliéster + 35% algodón	

- Debido a nuestro continuo programa de investigación y desarrollo, las especificaciones aquí contenidas están sujetas a cambios sin previo aviso.
- Las especificaciones y el cartucho de batería pueden variar de país a país.







## Tiempo de operación






Velocidad del aire	Batería		
	BL1041B	BL1430B	BL1860B
ALTA	6,0 horas	10,5 horas	18,5 horas
MEDIA	11,5 horas	18,5 horas	26,5 horas
BAJA	17,0 horas	27,5 horas	40,0 horas

- Los tiempos de operación indicados en la tabla de arriba son una guía aproximada. Éstos pueden diferir de los tiempos de operación reales.
- Los tiempos de operación pueden variar en función del tipo de batería, el estado de la carga y la condición de uso.

## Símbolos

A continuación se muestran los símbolos utilizados para el equipo. Asegúrese de entender su significado antes de usarlo.

	Lea el manual de instrucciones.
	Lavar a máquina a menos de 30°C en el ciclo suave.
	Lavar a máquina a menos de 40°C en el ciclo suave.
	Lavar a máquina con los ajustes normales en máquinas de uso doméstico o comercial.
	No usar blanqueador.
	Secar colgada a la sombra.

	No exprimir.
	Planchar a temperatura baja (sin exceder los 110°C).
	Planchar a temperatura media (sin exceder los 150°C).
	No planchar.
	No limpiar en seco.

# ADVERTENCIAS DE SEGURIDAD

## LEA Y SIGA TODAS LAS INSTRUCCIONES.

**⚠️ ADVERTENCIA:** Para reducir el riesgo de lesiones, no permita que los niños utilicen este producto a menos que se les supervise de cerca en todo momento.

**⚠️ ADVERTENCIA:** Lea todas las advertencias de seguridad y todas las instrucciones. El no seguir las advertencias y las instrucciones podría ocasionar una descarga eléctrica, un incendio y/o lesiones personales.

1. Nunca utilice la chamarra ventilada cuando la temperatura sobrepase los 50°C (122°F). Asimismo, evite usarla en lugares con una gran cantidad de humedad. El hacerlo podría provocar quemaduras.
2. No coloque la chamarra directamente sobre la piel.
3. No utilice la chamarra cuando esté bajo la influencia de drogas, alcohol o medicamentos.
4. No se duerma con la chamarra ventilada puesta. Una disminución excesiva de la temperatura corporal podría causar daños a su salud.
5. Los niños, las personas con discapacidades o cualquier persona con insensibilidad a la temperatura, por ejemplo, que tenga alguna deficiencia en la circulación sanguínea, deberán abstenerse de usar la chamarra.
6. Este aparato no está diseñado para ser usado con fines médicos en hospitales.
7. Utilice la chamarra únicamente para los fines para los que fue diseñada.
8. Si detecta algo inusual, apague la chamarra y retire el portabaterías de inmediato.
9. En caso de detectar cualquier anomalía, póngase en contacto con el centro de servicio de su localidad para solicitar la reparación.
10. No pise, lance ni maltrate de ninguna otra manera la chamarra ventilada.
11. No coloque su dedo ni ningún objeto extraño en la unidad del ventilador.
12. No sople aire comprimido hacia el ventilador. No introduzca varas pequeñas en la unidad del ventilador. El hacerlo podría dañar el ventilador y el motor.
13. No encienda la chamarra ventilada a menos que la traiga puesta.
14. No utilice la chamarra ventilada en lugares donde pueda producirse fuego o chispas. La unidad del ventilador podría prender fuego o echar chispas y ocasionar un incendio o quemaduras.
15. Seleccione la velocidad apropiada del ventilador de acuerdo con el entorno donde vaya a utilizarse de manera continua.
16. No se ponga ningún tipo de ropa encima de la chamarra ventilada.

17. Conserve la placa de características en la unidad del ventilador. En caso de que ésta no sea legible o falte, póngase en contacto con el centro de servicio de su localidad para solicitar la reparación.
18. Antes de lavarla, retire la unidad del ventilador y el portabaterías, y extraiga el cartucho de batería. Lave únicamente la parte de la chamarra.
19. No deje la chamarra ventilada en un lugar expuesto a altas temperaturas, tal como un automóvil estacionado bajo el sol. El hacerlo podría causar que las partes de plástico se derritan y se dañen.
20. Si va a almacenarla durante un período prolongado, retire el portabaterías y el cartucho de batería de la chamarra, y extraiga el cartucho de batería del portabaterías.
21. Durante el almacenamiento, mantenga la chamarra ventilada, las unidades del ventilador, el portabaterías y el cartucho de batería lejos del alcance de los niños.

## Seguridad eléctrica

1. No exponga la chamarra a la lluvia ni a la humedad. Mantenga el agua alejada de las piezas eléctricas. El ingreso de agua a la chamarra podría incrementar el riesgo de una descarga eléctrica.
2. Recargue la batería únicamente con el cargador especificado por el fabricante. Un cargador que es adecuado para un solo tipo de batería puede generar riesgo de incendio al ser utilizado con otra batería.
3. Utilice el aparato únicamente con las baterías designadas específicamente para éste. El uso de cualquier otra batería podría ocasionar un riesgo de lesiones o incendio.
4. Cuando no se esté utilizando la batería, manténgala alejada de otros objetos metálicos, tales como sujetapapeles, monedas, llaves, clavos, tornillos u otros objetos metálicos pequeños que puedan causar la conexión entre una terminal y otra.
5. En situaciones de mal uso, podría escaparse líquido de la batería; evite el contacto. En caso de contacto accidental, enjuague el área afectada con agua.
6. No manipule el cable ni la batería con las manos húmedas o con grasa.
7. No utilice la chamarra ventilada si el cable o la clavija están dañados.
8. No maltrate el cable. No utilice el cable para transportar, jalar o desconectar la chamarra. Mantenga el cable alejado del calor, aceite y bordes filosos.
9. No deje ningún cable desconectado durante el suministro eléctrico a la batería. Los niños pequeños podrían introducir la clavija con corriente en su boca y sufrir alguna lesión.
10. No utilice el cable suministrado con otros aparatos que no sean la unidad del ventilador.
11. No introduzca clavos, alambres ni otros objetos en el puerto USB de alimentación eléctrica. El hacerlo podría ocasionar un cortocircuito y generar humo o un incendio.
12. No conecte la fuente de alimentación al puerto USB. El puerto USB está diseñado exclusivamente para cargar dispositivos de menor voltaje. Coloque siempre la cubierta sobre el puerto USB cuando no vaya a cargar un dispositivo de menor voltaje. De lo contrario, podría haber un riesgo de incendio.

## Instrucciones importantes de seguridad para el cartucho de batería

1. Antes de utilizar el cartucho de batería, lea todas las instrucciones e indicaciones de precaución en el (1) el cargador de batería, (2) la batería, y (3) el producto con el que se utiliza la batería.
2. No desarme el cartucho de batería.
3. Si el tiempo de operación se ha acortado en exceso, deje de operar de inmediato. Podría correrse el riesgo de sobrecalentamiento, posibles quemaduras e incluso explosión.
4. En caso de que ingresen electrolitos en sus ojos, enjuáguelos bien con agua limpia y consulte de inmediato a un médico. Esto podría ocasionar pérdida de visión.
5. Evite cortocircuitar el cartucho de batería:
  - (1) No toque las terminales con ningún material conductor.
  - (2) Evite guardar el cartucho de batería en un cajón junto con otros objetos metálicos, tales como clavos, monedas, etc.
  - (3) No exponga el cartucho de batería al agua o la lluvia.

Un cortocircuito en la batería puede causar un flujo grande de corriente, sobrecalentamiento, posibles quemaduras e incluso una descompostura.
6. No guarde la herramienta ni el cartucho de batería en lugares donde la temperatura pueda alcanzar o exceder los 50°C (122°F).
7. Nunca incinere el cartucho de batería incluso en el caso de que esté dañado seriamente o ya no sirva en absoluto. El cartucho de batería puede explotar si se tira al fuego.
8. Tenga cuidado de no dejar caer ni golpear la batería.
9. No use una batería dañada.
10. Las baterías de ión de litio están sujetas a los requisitos reglamentarios en materia de bienes peligrosos.

Para el transporte comercial, por ej., mediante terceros o agentes de transporte, se deben tomar en cuenta los requisitos especiales relativos al empaque y el etiquetado.

Para efectuar los preparativos del artículo que se va a enviar, se requiere consultar a un experto en materiales peligrosos. Si es posible, consulte además otras regulaciones nacionales más detalladas.

Pegue o cubra con cinta adhesiva los contactos abiertos y empaque la batería de manera que ésta no pueda moverse dentro del paquete.
11. **Siga las regulaciones locales relacionadas al desecho de las baterías.**

## GUARDE ESTAS INSTRUCCIONES.

**PRECAUCIÓN:** Utilice únicamente baterías originales de Makita. El uso de baterías no originales de Makita, o de baterías alteradas, puede ocasionar que las baterías exploten causando un incendio, lesiones personales y daños. Asimismo, esto invalidará la garantía de Makita para la herramienta y el cargador Makita.

## Consejos para alargar al máximo la vida útil de la batería

1. Cargue el cartucho de batería antes de que se descargue completamente. Pare siempre la operación y cargue el cartucho de batería cuando note menos potencia en la herramienta.
2. No cargue nunca un cartucho de batería que esté completamente cargado. La sobrecarga acortará la vida de servicio de la batería.
3. Cargue el cartucho de batería a una temperatura ambiente de 10 °C - 40 °C (50 °F - 104 °F). Si un cartucho de batería está caliente, déjelo enfriar antes de cargarlo.
4. Cargue el cartucho de batería si no va a utilizarlo durante un período prolongado (más de seis meses).

## Precaución de la FCC

### Para Estados Unidos

Este dispositivo cumple con lo dispuesto en la Parte 15 de las Normas de la FCC. La operación está sujeta a las siguientes dos condiciones:

- (1) este dispositivo no debe causar una interferencia dañina, y
  - (2) este dispositivo debe aceptar cualquier interferencia recibida, incluyendo la interferencia que pueda ocasionar una operación no deseada.
- Cualquier cambio o modificación que no haya sido expresamente aprobada por la parte responsable del cumplimiento podría anular la autoridad del usuario para operar el equipo.

**Nota:** Este equipo fue sometido a pruebas y se ha comprobado que cumple con los límites para un dispositivo digital Clase B, conforme a lo dispuesto en la Parte 15 de las Normas de la FCC. Estos límites están diseñados para proporcionar una protección razonable contra una interferencia dañina en una instalación residencial. Este equipo genera, usa y puede irradiar energía de radiofrecuencia y, si no se instala y se usa de acuerdo con las instrucciones, puede causar una interferencia dañina a las radiocomunicaciones. Sin embargo, no hay ninguna garantía de que la interferencia no ocurrirá en una instalación en particular. Si este equipo llega a causar una interferencia dañina a la recepción de radio o televisión, lo cual puede determinarse encendiendo y apagando el equipo, el usuario deberá intentar corregir la interferencia tomando una o varias de las siguientes medidas:

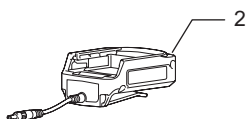
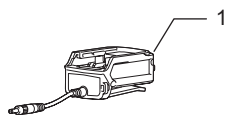
- Reorientar o reubicar la antena receptora.
- Aumentar la separación entre el equipo y el receptor.
- Conectar el equipo a una toma de corriente en un circuito distinto al cual esté conectado el receptor.
- Consultar al distribuidor o a un técnico experto en radio/TV para solicitar asistencia.

## Norma ICES-003

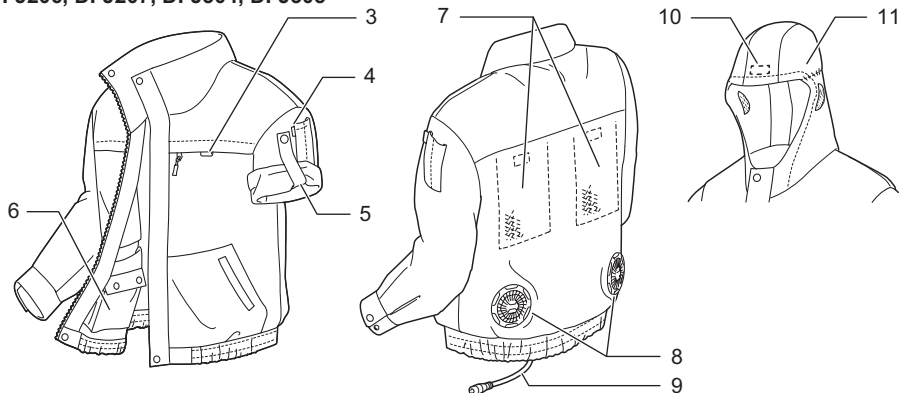
CAN ICES-3(B)/NMB-3(B)



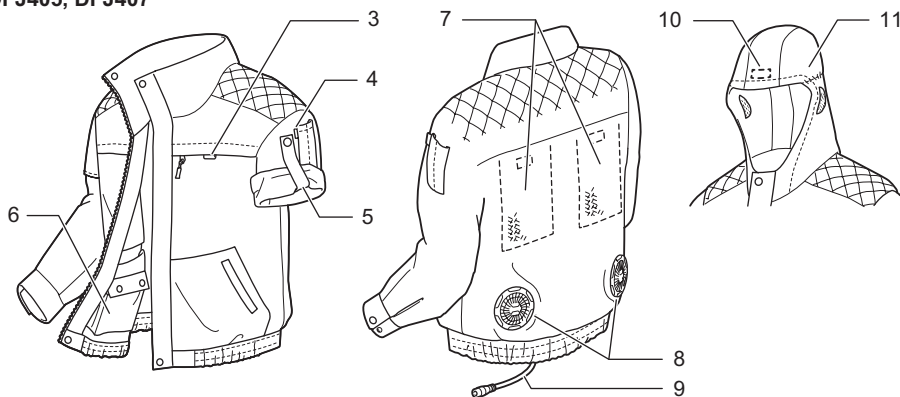
# DESCRIPCIÓN DE LAS PIEZAS



## DFJ206, DFJ207, DFJ304, DFJ305



## DFJ405, DFJ407



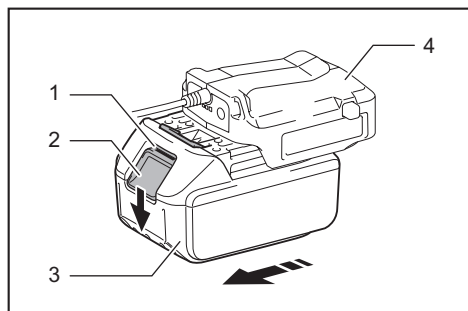
1	Portabaterías (10,8 V - 12 V máx.) (accesorio opcional)	2	Portabaterías (14,4 V /18 V) (accesorio opcional)	3	Presilla para gafete de identificación	4	Presilla para gafete de brazo
5	Sujetador de mangas	6	Bolsillo para batería	7	Bolsillo de red para bolsa de hielo	8	Unidad del ventilador
9	Cable de alimentación	10	Goma antideslizante (Para los modelos DFJ207, DFJ305 y DFJ407 únicamente)	11	Capucha (Para los modelos DFJ207, DFJ305 y DFJ407 únicamente)	-	-

# INSTALACIÓN

## Instalación o extracción del cartucho de batería

**⚠PRECAUCIÓN:** Apague siempre el dispositivo antes de instalar o extraer el cartucho de batería.

**⚠PRECAUCIÓN:** Sujete firmemente el portabaterías y el cartucho de batería al instalar o extraer el cartucho de batería. El no sujetar firmemente el portabaterías y el cartucho de batería podría ocasionar que éstos se le resbalaran de las manos causando daños al portabaterías y al cartucho de batería y/o lesiones personales.



- 1. Indicador rojo 2. Botón 3. Cartucho de batería  
4. Portabaterías (accesorio opcional)

Para instalar el cartucho de batería, alinee la lengüeta en el cartucho de batería con la ranura en la carcasa y deslícelo a su lugar. Inserte el cartucho de batería hasta el fondo hasta que quede asegurado en su lugar con un pequeño clic. Si es visible el indicador rojo en la parte superior del botón, quiere decir que no ha quedado asegurado por completo.

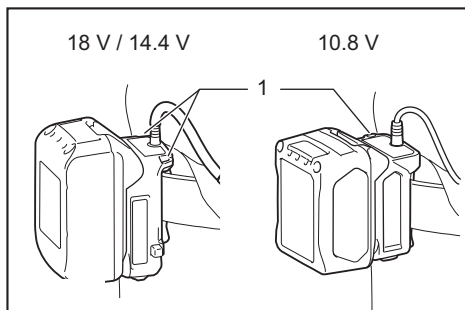
Para extraer el cartucho de batería, deslícelo del portabaterías mientras oprime el botón en la parte delantera del cartucho.

**⚠PRECAUCIÓN:** Siempre inserte por completo el cartucho de batería hasta que el indicador rojo no pueda verse. De lo contrario, el cartucho de batería podría salirse accidentalmente del portabaterías, ocasionándole alguna lesión a usted o a las personas alrededor.

**⚠PRECAUCIÓN:** Evite instalar el cartucho de batería forzosamente. Si el cartucho de batería no se desliza fácilmente, quiere decir que no está siendo insertado correctamente.

## Fijación del portabaterías

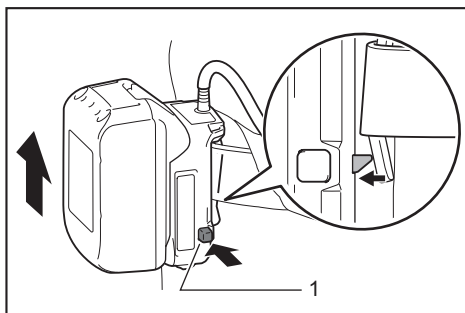
Usted puede colgar el portabaterías en su cinturón. Para evitar que el portabaterías se caiga accidentalmente, introduzca una correa a través del orificio para la correa y asegúrelo.



- 1. Orificio para la correa

### Para portabaterías de 18 V y 14,4 V

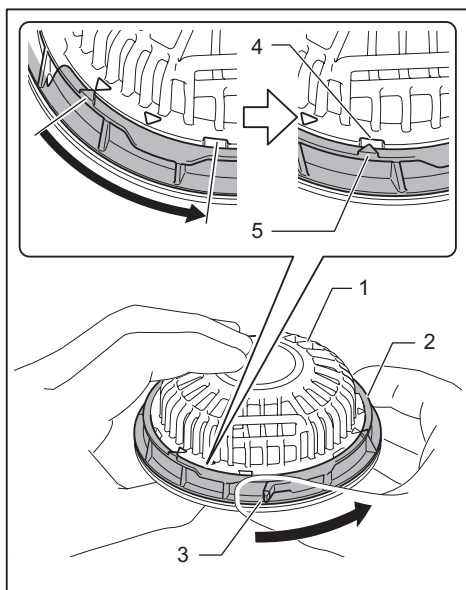
El portabaterías cuenta con una función a prueba de caídas. Cuando extraiga el portabaterías del cinturón, jale hacia arriba el portabaterías mientras oprime el botón de desbloqueo.



- 1. Botón de desbloqueo

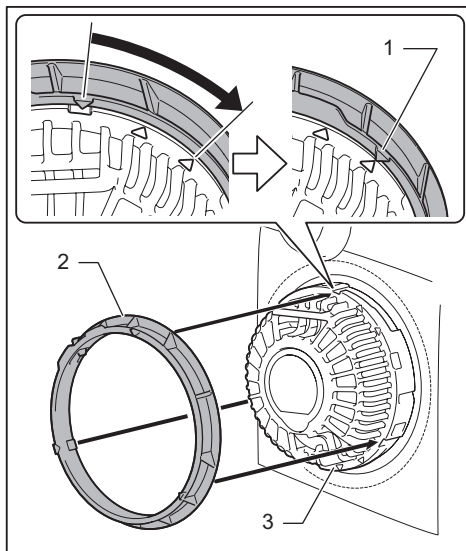
## Instalación o extracción de la unidad del ventilador

1. Gire el anillo en sentido inverso al de las manecillas del reloj mientras levanta el gancho sobre éste. Retire el anillo cuando la marca en el anillo se alinee con la ranura en la unidad del ventilador.



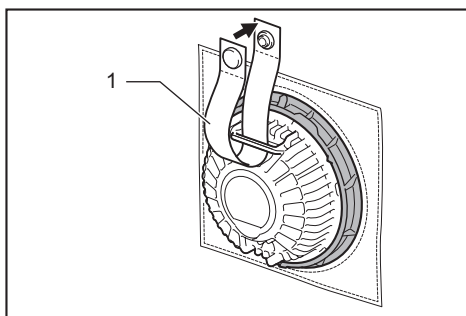
► 1. Unidad del ventilador 2. Anillo 3. Gancho  
4. Ranura 5. Marca

2. Introduzca la cabeza de la unidad del ventilador a través del orificio en la chamarra. Coloque el anillo en la unidad del ventilador y gírelo en el sentido de las manecillas del reloj hasta que la marca en el anillo se alinee con la marca más allá de la ranura.



► 1. Marca 2. Anillo 3. Unidad del ventilador

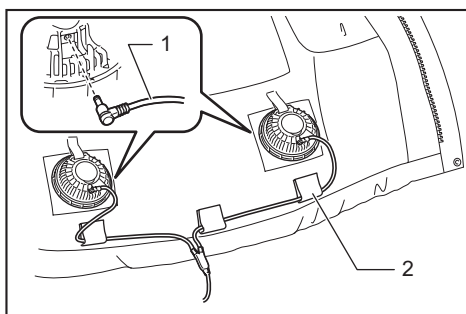
3. Introduzca la tira a través de la presilla en la unidad del ventilador y cierre el broche de presión.



► 1. Tira

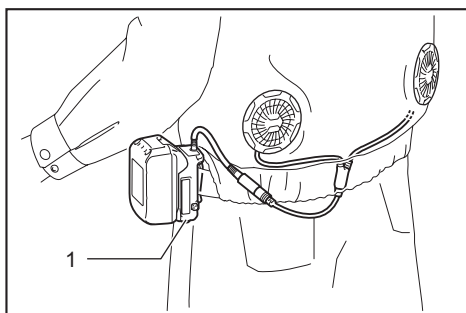
4. Fije la otra unidad del ventilador a la chamarra de la misma manera.

5. Conecte el cable a las unidades del ventilador. Sujete el cable usando el sujetacables.



► 1. Cable 2. Sujetacables

6. Conecte el otro extremo del cable al portabaterías.



► 1. Portabaterías

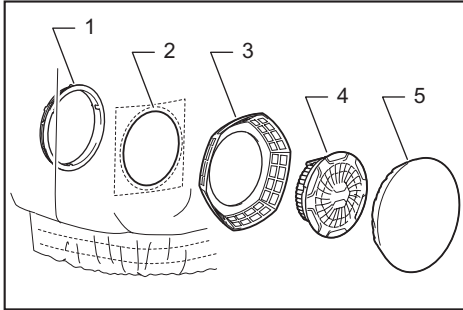
**⚠PRECAUCIÓN:** Utilice siempre la tira y el broche de presión para asegurar la unidad del ventilador en la chamarra. Si la unidad del ventilador llegara a caerse, esto podría ocasionar una lesión o daños a la unidad del ventilador.

Siga el procedimiento de instalación en orden inverso cuando la extraiga.

## Colocación del conjunto del filtro

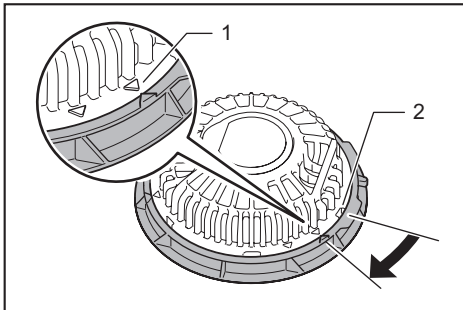
### Accesorio opcional

El conjunto del filtro protege a la unidad del ventilador de las pelusas y el polvo. Se recomienda utilizar el conjunto del filtro en lugares de trabajo donde haya pelusas o polvo. Inserte el accesorio del filtro entre la chamarra y la unidad del ventilador tal como se muestra en la ilustración.



- 1. Anillo 2. Orificio en la chamarra 3. Accesorio del filtro 4. Unidad del ventilador 5. Filtro

Cuando apriete el anillo, deténgalo en la marca cerca de la ranura en la unidad del ventilador. Después de colocar las unidades del ventilador, cubra los accesos de los filtros con los filtros.



- 1. Marca 2. Ranura

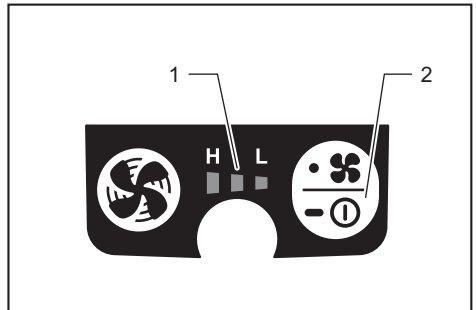
**AVISO:** Asegúrese de que el filtro cubra por completo el accesorio del filtro. Para una mayor protección contra las pelusas y el polvo, introduzca el borde del filtro entre la chamarra y el accesorio del filtro.

## DESCRIPCIÓN DEL FUNCIONAMIENTO

**AVISO:** La chamarra ventilada resulta efectiva cuando el nivel de humedad y la temperatura del aire de entrada son inferiores a los de la superficie del cuerpo. La chamarra ventilada podría no resultar efectiva si la temperatura del aire y/o el nivel de humedad son mayores que aquellos en el interior de la chamarra.

### Botón de encendido

Para encender la chamarra, oprima y mantenga presionado el botón de encendido en el portabaterías (accesorio opcional). La chamarra comienza con una velocidad de aire alta. Cada vez que usted toca el botón de encendido, la velocidad del aire pasa de alta a media, de media a baja, y de baja a alta. El indicador de velocidad del aire muestra la velocidad actual del aire.

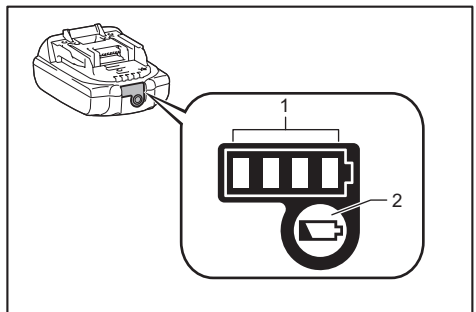


- 1. Indicador de velocidad del aire 2. Botón de encendido

Para apagar la chamarra, oprima y mantenga presionado nuevamente el botón de encendido.

### Indicación de la capacidad restante de la batería

*Únicamente para cartuchos de batería con el indicador*



- 1. Luces indicadoras 2. Botón de verificación

Oprima el botón de verificación en el cartucho de la batería para que indique la capacidad restante de la batería. Las luces indicadoras se iluminarán por algunos segundos.

Luces indicadoras			Capacidad restante
Iluminadas	Apagadas	Parpadeando	
■	□	▬	75% a 100%
■ ■ ■ ■			
	□		50% a 75%
■ ■ ■ ■	□		
	□		25% a 50%
■ ■ ■ ■	□ □		
	□		0% a 25%
■ ■ ■ ■	□ □ □ □		
▬	□ □ □ □		Cargar la batería.
(Para baterías de 14,4 V y 18 V únicamente)			
■ ■ ■ ■	□ □		La batería pudo haber funcionado mal.
	□ □		
(Para baterías de 14,4 V y 18 V únicamente)			

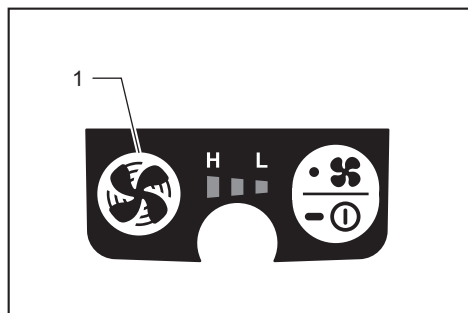
**NOTA:** Dependiendo de las condiciones de uso y la temperatura ambiente, la indicación podrá diferir ligeramente de la capacidad real.

## Sistema de protección de batería

El dispositivo está equipado con un sistema de protección de la batería. Este sistema interrumpe automáticamente la alimentación al motor para prolongar la vida de la batería. Si la capacidad restante de la batería es demasiado baja, el dispositivo no funcionará. Al encender el dispositivo, el motor se pondrá en marcha nuevamente pero se detendrá al poco tiempo. En este caso, retire el cartucho de batería y vuelva a cargarlo.

## Botón de turbo

Al oprimir el botón de turbo en el portabaterías, la chamarra funcionará en el modo turbo para un enfriamiento rápido. El modo turbo dura un minuto y luego la velocidad del aire regresa al estado normal.



► 1. Botón de turbo

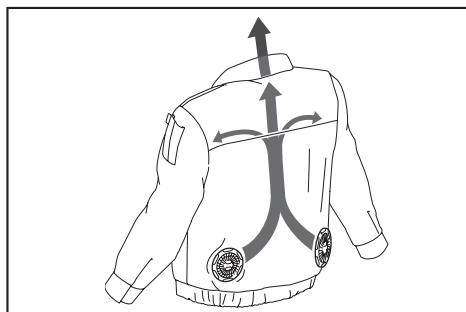
## Flujo de aire

Para mantener un flujo de aire estable, cierre el botón en el cuello de la chamarra. Asegure el botón en el listón para un mejor flujo de aire en la espalda.



► 1. Listón

A continuación se muestra el flujo de aire en el interior de la chamarra.

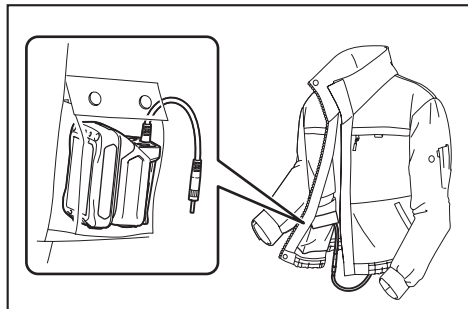


Para chamarras con capucha, use la capucha sobre un casco. El aire del ventilador circula a través del casco y enfría su cabeza.



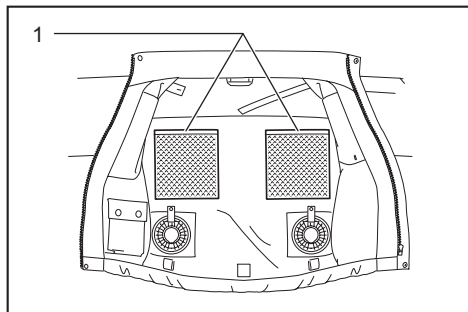
## Bolsillo para batería

La chamarra cuenta con un bolsillo para guardar el portabaterías (con batería incluida) de 10,8 V - 12 V máx. en su interior. Conecte el cable de alimentación al portabaterías y luego colóquelo dentro del bolsillo y cierre los broches de presión.



## Bolsillo de red

La parte trasera de la chamarra cuenta con bolsillos de red para guardar bolsas de hielo.



► 1. Bolsillo de red

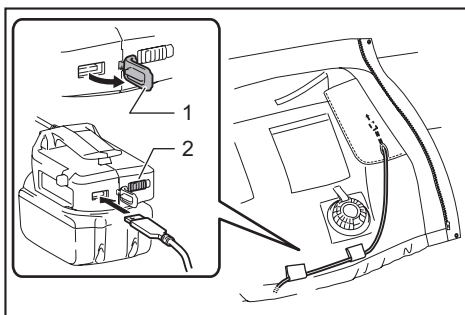
## Conexión de dispositivos USB

**⚠PRECAUCIÓN:** Conecte únicamente dispositivos que sean compatibles con el puerto USB de alimentación eléctrica. El no hacerlo podría ocasionar una avería en el portabaterías.

**AVISO:** Antes de conectar un dispositivo USB al portabaterías (con batería incluida), respalde siempre la información en el dispositivo USB. El no hacerlo podría ocasionar que perdiera su información.

El portabaterías (con batería incluida) puede funcionar como un suministro eléctrico externo para los dispositivos USB.

Abra la cubierta y conecte el cable USB (no incluido) al puerto de alimentación eléctrica del portabaterías. Luego conecte el otro extremo del cable al dispositivo y encienda el interruptor cerca del puerto USB.



► 1. Cubierta 2. Interruptor

El portabaterías (con batería incluida) suministra CC 5 V, 2,1 A. El cable USB puede colocarse en el interior de la chamarra para comodidad utilizando el orificio en el bolsillo y el sujetacables.

**NOTA:** El portabaterías podría no suministrar energía a algunos dispositivos USB.

**NOTA:** Cuando no se esté utilizando o después de la carga, retire el cable USB y cierre la cubierta.

**NOTA:** La potencia de la batería es consumida mientras el interruptor se encuentre encendido. Apague siempre el interruptor cuando no lo vaya a utilizar.

## MANTENIMIENTO

**⚠PRECAUCIÓN:** Asegúrese siempre de que la chamarra haya sido apagada y que el cartucho de batería haya sido extraído antes de intentar realizar una inspección o tarea de mantenimiento.

**⚠PRECAUCIÓN:** Si la chamarra no enciende o si se detecta alguna falla con un cartucho de batería totalmente cargado, limpie las terminales del portabaterías y el cartucho de batería. Si la chamarra sigue sin funcionar correctamente, deje de usarla y póngase en contacto con nuestro centro de servicio autorizado.

**AVISO:** Nunca use gasolina, bencina, diluyente (tiner), alcohol o sustancias similares. Puede que esto ocasione grietas o decoloramiento.

## Limpieza de la chamarra

Desinstale la(s) unidad(es) del ventilador y el portabaterías de la chamarra antes de lavarla. Siga las instrucciones en la etiqueta.

### Para los modelos DFJ304 y DFJ305

Los productos de algodón podrían encogerse al lavarlos.

No lave la chamarra con otra ropa. El hacerlo podría ocasionar decoloración o la transferencia de color.

### Para los modelos DFJ405 y DFJ407

Utilice una red de lavado cuando use una lavadora.

## ACCESORIOS OPCIONALES

**⚠️ PRECAUCIÓN:** Estos accesorios o aditamentos están recomendados para utilizarse con su herramienta Makita especificada en este manual.

El empleo de cualquier otro accesorio o aditamento puede conllevar el riesgo de lesiones personales.

Utilice los accesorios o aditamentos solamente para su fin establecido.

Si necesita cualquier ayuda para más detalles en relación con estos accesorios, pregunte a su centro de servicio local Makita.

- Portabaterías
- Conjunto del filtro
- Batería y cargador originales de Makita

**NOTA:** Algunos de los artículos en la lista pueden incluirse en el paquete de la herramienta como accesorios estándar. Éstos pueden variar de país a país.

## GARANTÍA LIMITADA DE UN AÑO DE MAKITA

### Ésta Garantía no aplica para México Política de garantía

Cada herramienta Makita es inspeccionada y probada exhaustivamente antes de salir de la fábrica. Se garantiza que está libre de defectos de mano de obra y materiales por el período de UN AÑO a partir de la fecha original de compra. Si durante este período de un año se desarrollara algún problema, devuelva la herramienta COMPLETA, con el envío prepagado, a un centro de servicio autorizado o de fábrica Makita. Si la inspección muestra que el problema ha sido a causa de un defecto de mano de obra o material, Makita hará la reparación (o a su discreción, el reemplazo) sin ningún cargo. Esta garantía no aplica cuando:

- las reparaciones se hayan hecho o intentado hacer por otros;
- se requieran reparaciones debido al desgaste normal;
- la herramienta haya sido maltratada, recibido un mal uso o haya recibido un mantenimiento inapropiado;
- se hayan hecho modificaciones a la herramienta.

EN NINGÚN CASO MAKITA SE HARÁ RESPONSABLE DE NINGÚN DAÑO INDIRECTO, INCIDENTAL, O DERIVADO DE LA VENTA O USO DEL PRODUCTO. ESTE DESCARGO DE RESPONSABILIDAD APLICA DURANTE Y DESPUÉS DEL PLAZO DE ESTA GARANTÍA.

MAKITA RENUNCIA A LA RESPONSABILIDAD POR CUALQUIER GARANTÍA IMPLÍCITA, INCLUYENDO GARANTÍAS DE "COMERCIABILIDAD" Y "ADECUACIÓN PARA UN PROPÓSITO ESPECÍFICO", DESPUÉS DEL PLAZO DE UN AÑO DE ESTA GARANTÍA.

Esta garantía le concede derechos legales específicos y usted podrá tener también otros derechos que varían de un estado a otro. Algunos estados no permiten la exclusión o limitación de daños incidentales o consecuentes, por lo que la limitación o exclusión arriba mencionada podría no aplicar para usted. Algunos estados no permiten la limitación sobre la duración de una garantía implícita, por lo que la limitación arriba mencionada podría no aplicar para usted.

**Makita Corporation**  
3-11-8, Sumiyoshi-cho,  
Anjo, Aichi 446-8502 Japan  
[www.makita.com](http://www.makita.com)

885577A941  
DFJ206-1  
EN, FRCA, ESMX  
20170117