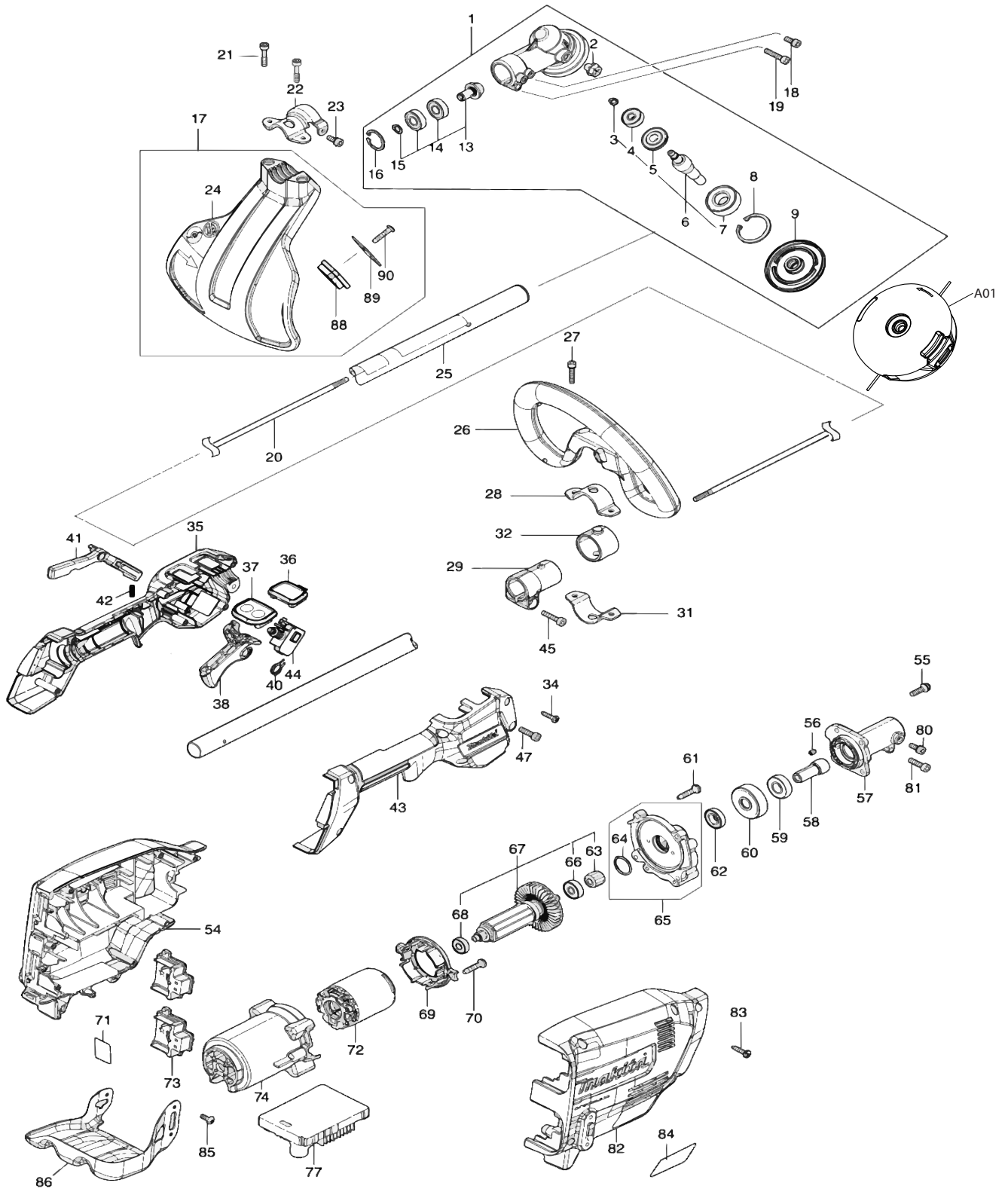




**XRU18**



Products with multiple versions are listed in subsiding order with the newest version on top not indented.

Section	Fig. No.	Part No.	Description	XRU18	Tech Bulletin	Notes
1	1	127380-0	GEAR CASE ASSEMBLY US	1		INC. 2-9,13-16
1	2	265590-2	+HEX.BOLT M8X10 WITH R	1		
1	3	259070-8	RETAINING RING (EXT) S-7	1		
1	4	210030-5	BALL BEARING 627ZZ	1		
1	5	226954-5	SPIRAL BEVEL GEAR 21	1		
1	6	136234-0	CUTTER SHAFT ASS'Y	1		INC. 3-5,7
1	7	211228-7	BALL BEARING 6202DDW	1		
1	8	259069-3	RETAINING RING (INT) R-35	1		
1	9	140N88-3	RECEIVE WASHER COMPLETE	1		
1	13	136236-6	SPIRAL BEVEL GEAR ASS'Y	1		INC. 14,15
1	14	210051-7	BALL BEARING 609ZZ	1		
1	14	210049-4	BALL BEARING 609ZZ	2		
1	15	259071-6	RETAINING RING (EXT) S-9	1		
1	16	259072-4	RETAINING RING (INT)R-24	1		
1	17	191B55-9	PROTECTOR N 430 SET MG	1		INC. 24,89,90
1	18	922216-6	HEX. SOCKET HEAD BOLT M5X14	1		
1	19	922242-5	HEX. SOCKET HEAD BOLT M5X25	1		
1	20	327056-1	SHAFT	1		
1	21	251513-6	H.S.H.BOLT M5X25	2		
1	22	347107-4	PROTECTOR CLAMP 24	1		
1	23	922216-6	HEX. SOCKET HEAD BOLT M5X14	1		
1	24	457273-0	PROTECTOR N 420-450	1		
1	25	140P07-1	SHAFT PIPE COMPLETE E	1		
1	26	457267-5	LOOP HANDLE	1		
1	27	922234-4	H.S.H.BOLT M5X20 WITH WG	2		
1	28	347113-9	UPPER CLAMP 35	1		
1	29	457269-1	PIPE HOLDER 24	1		
1	31	347114-7	LOWER CLAMP 35	1		
1	32	424942-8	DAMPER	1		
1	34	266326-2	TAPPING SCREW 4X18	6		
1	35	183N27-0	GRIP SET	1		INC. 43
1	36	140K37-2	INDICATION CIRCUIT COMPLETE	1		
1	37	140K35-6	SWITCH CIRCUIT COMPLETE G	1		
1	38	459758-2	SWITCH LEVER	1		
1	40	233622-3	TORSION SPRING 12	1		

Products with multiple versions are listed in sub-ascending order with the newest version on top not indented.

Section	Fig. No.	Part No.	Description	XRU18	Tech Bulletin	Notes
1	41	459759-0	LOCK OFF LEVER	1		
1	42	233101-1	COMPRESSION SPRING 4	1		
1	43	183N27-0	GRIP SET	1		INC. 35
1	44	651436-2	SWITCH C3JW-1A-P-2	1		
1	45	922244-1	H.S.H.BOLT M5X25 WITH WG	1		
1	47	922233-6	H.S.H.BOLT M5X20 WITH WR	1		
1	54	183N23-8	HOUSING SET	1		INC. 82
1	55	911233-1	PAN HEAD SCREW M5X20	4		
1	56	263002-9	RUBBER PIN 4	1		
1	57	319919-5	PIPE BRACKET	1		
1	58	325811-5	SPINDLE HUB	1		
1	59	211131-2	BALL BEARING 6001DDW	1		
1	60	226931-7	HELICAL GEAR 29	1		
1	61	266459-3	TAPPING SCREW 5X25	4		
1	62	211150-8	BALL BEARING 6901ZZ	1		
1	63	226932-5	HELICAL GEAR 10	1		
1	64	213961-7	O RING 22	1		
1	65	136231-6	GEAR BOX ASS'Y	1		INC. 64
1	66	210005-4	BALL BEARING 608DDW	1		
1	67	519587-6	ROTOR ASS'Y	1		INC. 63,66,68
1	68	211021-9	BALL BEARING 607ZZ	1		
1	69	459764-7	BAFFLE PLATE	1		
1	70	266326-2	TAPPING SCREW 4X18	2		
1	71	856J33-1	XRU18 SERIAL NO. LABEL	1		
1	72	629443-3	STATOR	1		
1	73	644809-6	TERMINAL	2		
1	74	459763-9	MOTOR HOUSING	1		
1	77	620C10-5	CONTROLLER	1		
1	80	922211-6	H.S.H.BOLT M5X12 WITH W	1		
1	81	922233-6	H.S.H.BOLT M5X20 WITH WR	1		
1	82	183N23-8	HOUSING SET	1		INC. 54
1	83	266326-2	TAPPING SCREW 4X18	7		
1	84	856J28-4	XRU18 NAME PLATE	1		
1	85	251314-2	+ SCREW M4X12	3		
1	86	347563-8	BATTERY GUARD	1		

Products with multiple versions are listed in subassembling order with the newest version on top not indented.

Section	Fig. No.	Part No.	Description	XRU18	Tech Bulletin	Notes
1	88	459765-5	CUTTER EXTENSION	1		
1	89	347115-5	CUTTER	1		
1	90	266459-3	TAPPING SCREW 5X25	1		
1	A01	198892-0	CUTTER ASSEMBLY 95-M10L SET M	1		