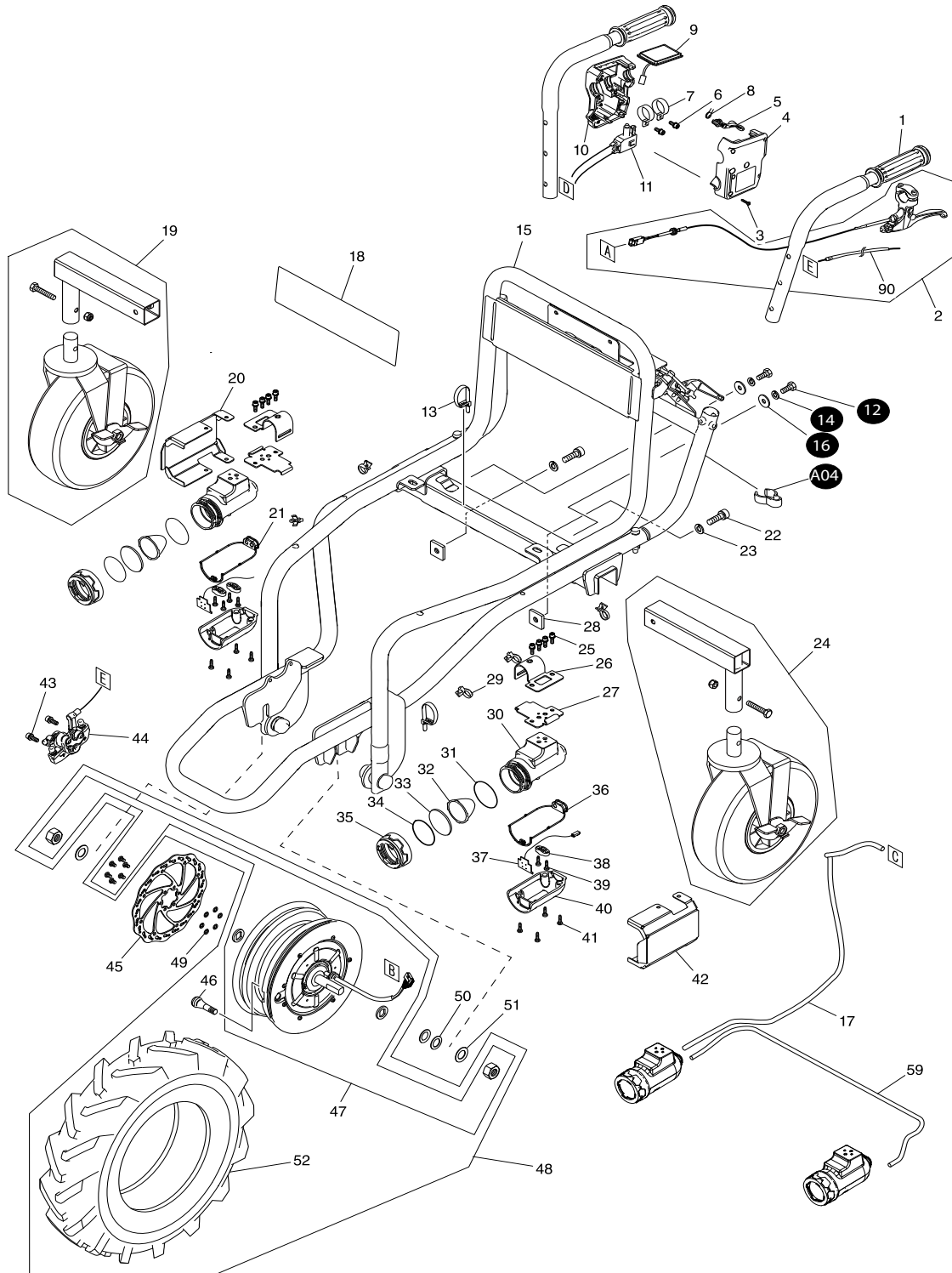




XUC01
XUC01X1
XUC01X2

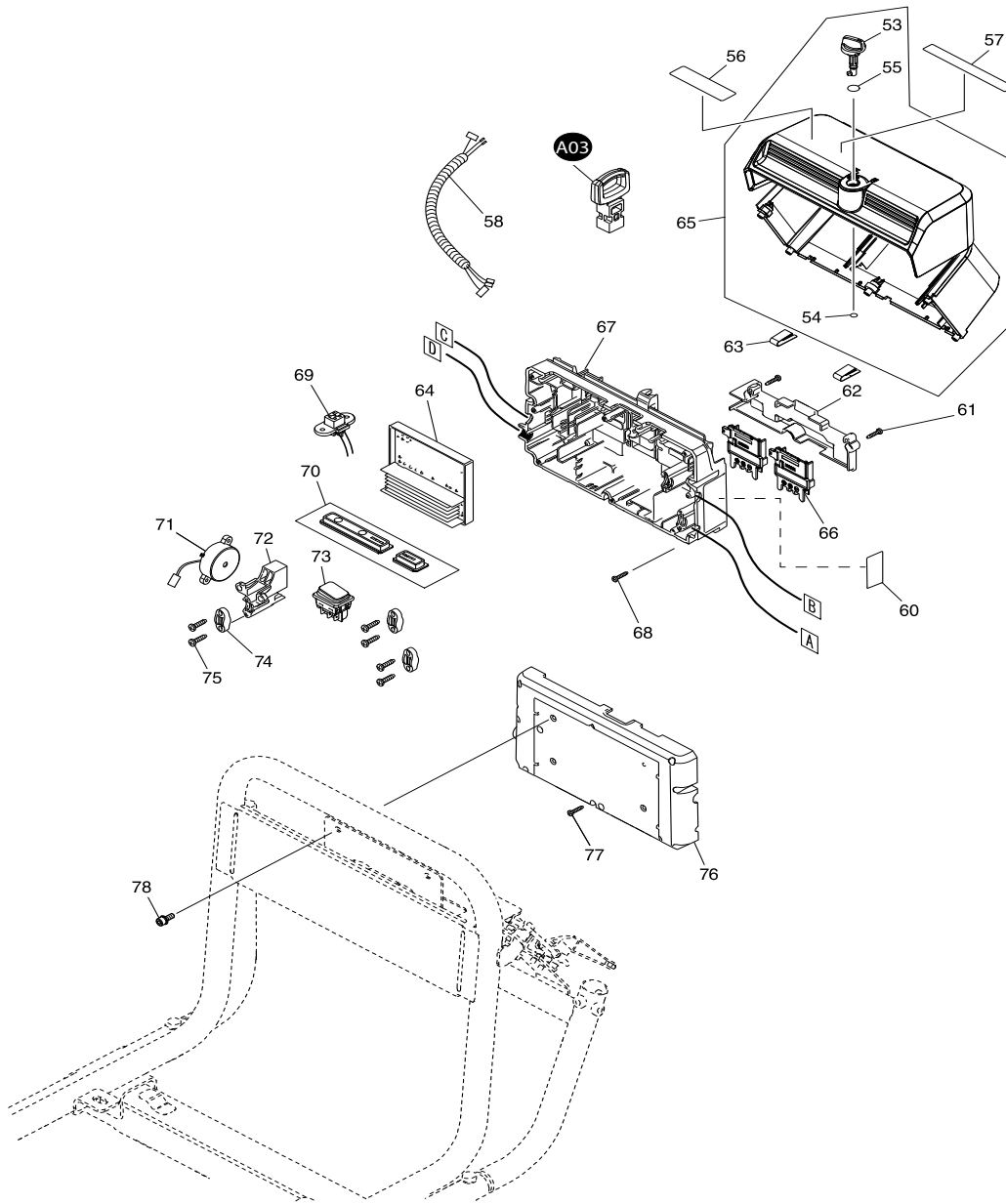


Products with multiple versions are listed in subsiding order with the newest version on top not indented.

Section	Fig. No.	Part No.	Description	XUC01	XUC01X1	XUC01X2	Tech Bulletin	Notes
1	1	161640-0	HANDLE COMPLETE	2	2	2		
1	2	161648-4	BRAKE ASSEMBLY	1	1	1		INC. 90
1	3	266130-9	TAPPING SCREW BIND PT 3X16	5	5	5		
1	4	183G32-5	SWITCH BOX SET	1	1	1		INC 10
1	5	457633-6	SWITCH LEVER	1	1	1		
1	6	922223-9	H.S.H.BOLT M5X16 WITH WR	2	2	2		
1	7	346249-1	PIPE CLAMP 28	2	2	2		
1	8	233540-5	TORSION SPRING 11	1	1	1		
1	9	144521-3	SWITCH PLATE COMPLETE	1	1	1		
1	10	183G32-5	SWITCH BOX SET	1	1	1		INC 4
1	11	650781-2	SWITCH C3JW-6B-P	1	1	1		
1	12	251595-8	HEX.BOLT M8X20	2	2	2		Included in Assembly Hardware
1	13	687410-4	BAND	2	2	2		
1	14	942201-3	SPRING WASHER 8	2	2	2		Included in Assembly Hardware
1	15	126589-1	FRAME ASSEMBLY	1	1	1		INC. 79-89,91-99
1	16	253852-0	FLAT WASHER 8	2	2	2		Included in Assembly Hardware
1	17	699095-4	POWER SUPPLY CORD UNIT	1	1	1		
1	18	812S79-1	MAKITA LOGO LABEL	1	1	1		
1	19	127092-5	REAR TIRE R ASSEMBLY	1	1	1		
1	19	126893-8	REAR TIRE R ASSEMBLY	1	1	1		
1	20	347278-7	GUARD R	1	1	1		
1	21	422151-3	PACKING	1	1	1		
1	22	266240-2	HEX. SOCKET HEAD BOLT M10X25	2	2	2		
1	23	941251-5	FLAT WASHER 10	2	2	2		
1	24	127092-5	REAR TIRE L ASSEMBLY	1	1	1		
1	24	126837-8	REAR TIRE L ASSEMBLY	1	1	1		
1	25	922223-9	H.S.H.BOLT M5X16 WITH WR	8	8	8		
1	26	347238-9	CLAMP A	2	2	2		
1	27	347239-7	CLAMP B	2	2	2		
1	28	347394-5	PLATE	2	2	2		
1	29	687849-1	BAND	5	5	5		
1	30	319594-7	LIGHT CASE	2	2	2		
1	31	213656-2	O RING 53	2	2	2		

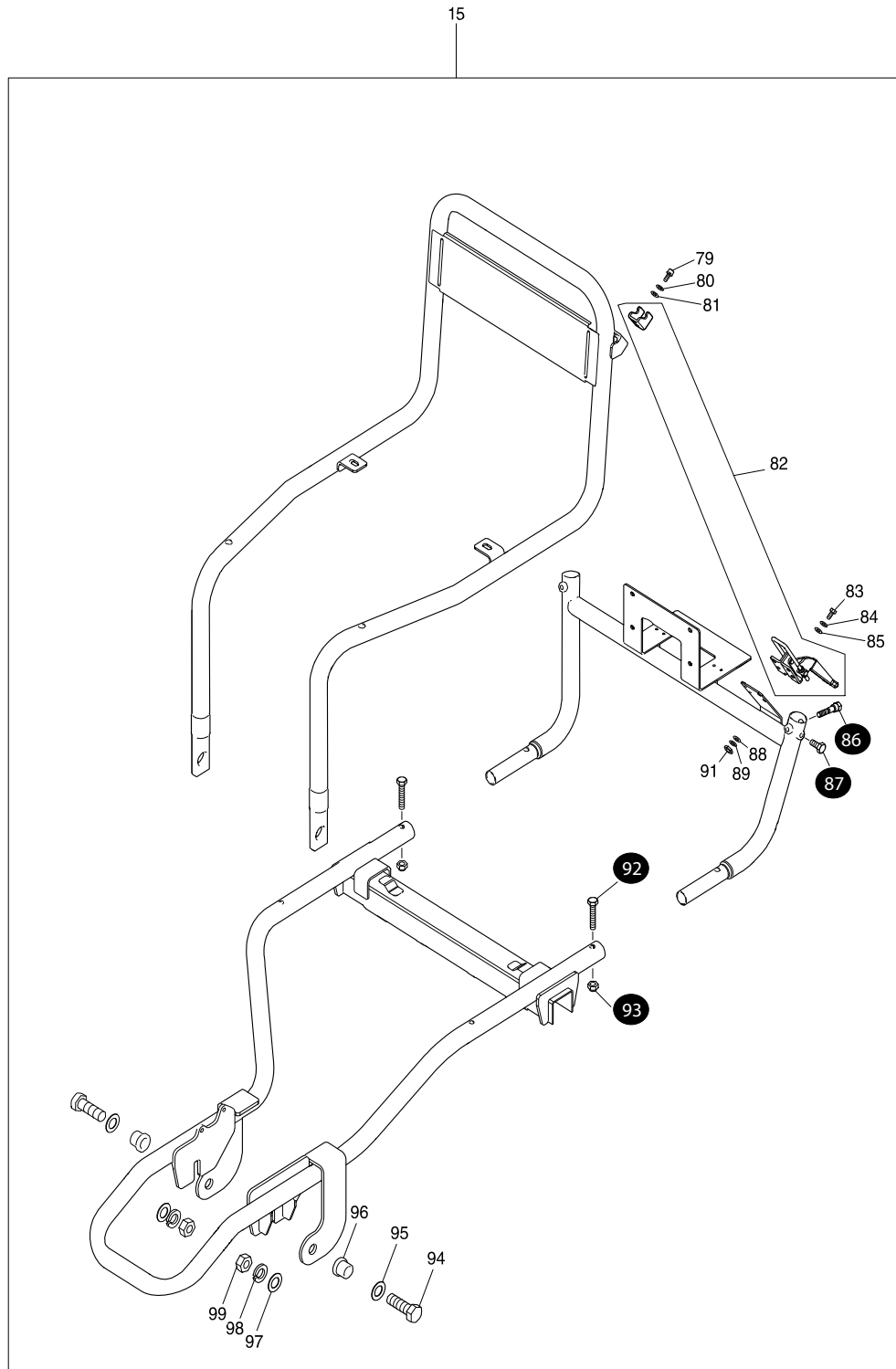
Products with multiple versions are listed in subsiding order with the newest version on top not indented.

Section	Fig. No.	Part No.	Description	XUC01	XUC01X1	XUC01X2	Tech Bulletin	Notes
1	32	457636-0	REFLECTOR	2	2	2		
1	33	457634-4	LENS	2	2	2		
1	34	213604-1	O RING 50	2	2	2		
1	35	457635-2	COVER	2	2	2		
1	36	422166-0	PACKING	1	1	1		
1	37	620685-2	LED CIRCUIT	2	2	2		
1	38	687123-7	STRAIN RELIEF	3	3	3		
1	39	266034-5	TAPPING SCREW CT 4X16	6	6	6		
1	40	319595-5	LIGHT CASE COVER	2	2	2		
1	41	266034-5	TAPPING SCREW CT 4X16	8	8	8		
1	42	347279-5	GUARD L	1	1	1		
1	43	265A98-2	H.S.H.BOLT M6X18 WITH WR	2	2	2		
1	43	922328-5	H.S.H.BOLT M6X18 WITH WR	2	2	2		
1	44	161641-8	BRAKE CALIPER ASSEMBLY	1	1	1		
1	45	347208-8	BRAKE DISC	1	1	1		
1	46	161638-7	SNAP IN VALVE	1	1	1		
1	47	126590-6	WHEEL	1	1	1		
1	48	126734-8	FRONT TIRE ASSEMBLY	1	1	1		INC. 46,47,52
1	49	941102-2	FLAT WASHER 5	6	6	6		
1	50	232247-0	CONED DISC SPRING 16	2	2	2		
1	51	253377-4	FLAT WASHER 17	2	2	2		
1	52	422159-7	FRONT TIRE 430	1	1	1		
1	59	699096-2	POWER SUPPLY CORD UNIT	1	1	1		
1	90	144700-3	BRAKE CABLE	1	1	1		
1	A04	455588-9	CLAMP	2	2	2		Included in Assembly Hardware



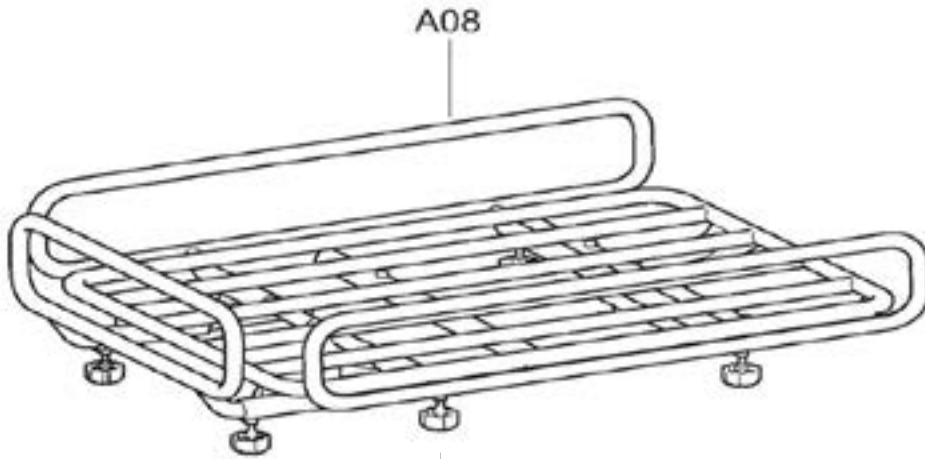
Products with multiple versions are listed in subsiding order with the newest version on top not indented.

Section	Fig. No.	Part No.	Description	XUC01	XUC01X1	XUC01X2	Tech Bulletin	Notes
2	53	457625-5	LEVER 25	1	1	1		
2	54	213005-3	O RING 5	1	1	1		
2	55	213078-6	O-RING 10	1	1	1		
2	56	816M70-5	INDICATION LABEL	1	1	1		
2	57	816M10-3	CAUTION LABEL	1	1	1		
2	58	632K49-4	LEAD UNIT	1	1	1		
2	61	266130-9	TAPPING SCREW BIND PT 3X16	2	2	2		
2	62	457629-7	TERMINAL HOLDER	1	1	1		
2	63	232267-4	LEAF SPRING	2	2	2		
2	64	620675-5	CONTROLLER	1	1	1		
2	65	135934-9	BATTERY BOX ASSY	1	1	1		INC. 53-55
2	66	643874-2	TERMINAL	2	2	2		
2	67	144519-0	CENTER CASE COMPLETE	1	1	1		
2	68	266130-9	TAPPING SCREW BIND PT 3X16	5	5	5		
2	69	632K50-9	LEAD UNIT	1	1	1		
2	70	144520-5	SUB CONTROLLER COMPLETE	1	1	1		
2	71	620684-4	BUZZER CIRCUIT	1	1	1		
2	72	457630-2	COVER	1	1	1		
2	73	651534-2	SWITCH 1934.3112B	1	1	1		
2	74	687123-7	STRAIN RELIEF	3	3	3		
2	75	266326-2	TAPPING SCREW 4X18	6	6	6		
2	76	457628-9	FRONT COVER	1	1	1		
2	77	266130-9	TAPPING SCREW BIND PT 3X16	8	8	8		
2	78	922218-2	H.S.H.BOLT M5X14 WITH WR	4	4	4		
2	A03	643890-4	KEY	1	1	1		Included in Assembly Hardware

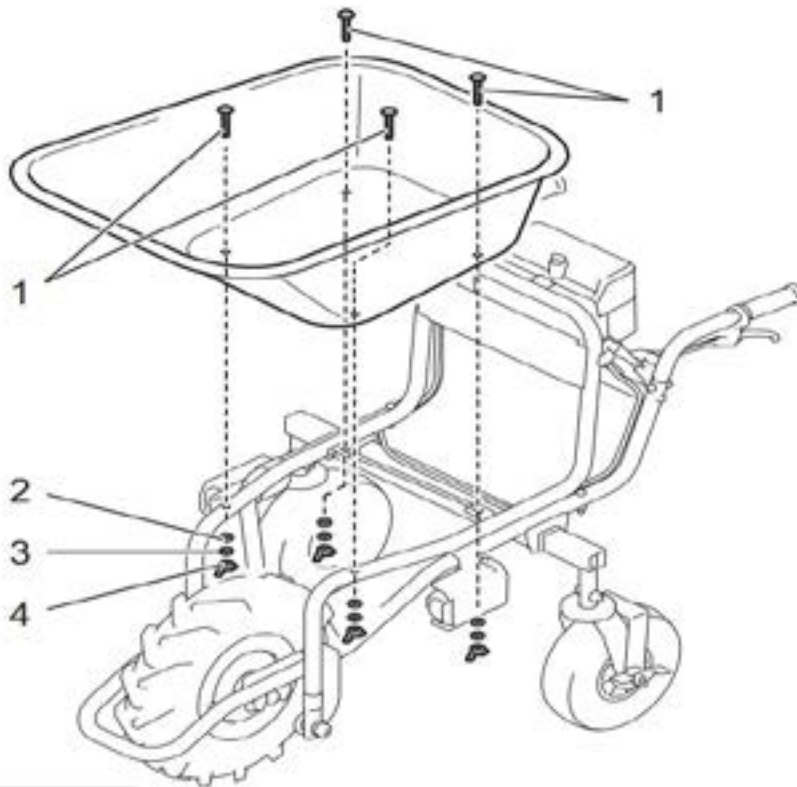


Products with multiple versions are listed in subsiding order with the newest version on top not indented.

Section	Fig. No.	Part No.	Description	XUC01	XUC01X1	XUC01X2	Tech Bulletin	Notes
3	15	126589-1	FRAME ASSEMBLY	1	1	1		INC. 79-89,91-99
3	79	TR00000069	HEX.SOCKET HEAD BOLT M5X14	2	2	2		
3	80	942101-7	SPRING WASHER 5	2	2	2		
3	81	941101-4	FLAT WASHER 5	2	2	2		
3	82	TR00000067	LOCK LEVER	1	1	1		
3	83	TR00000068	HEX.BOLT M5X16	4	4	4		
3	84	942101-7	SPRING WASHER 5	4	4	4		
3	85	941101-4	FLAT WASHER 5	4	4	4		
3	86	251594-0	SHOULDER HEX. BOLT M8X40	2	2	2		Included in Assembly Hardware
3	87	251595-8	HEX.BOLT M8X20	2	2	2		Included in Assembly Hardware
3	88	941101-4	FLAT WASHER 5	4	4	4		
3	89	942101-7	SPRING WASHER 5	4	4	4		
3	91	931202-6	HEX. NUT M5	4	4	4		
3	92	921467-8	HEX. BOLT M8X45	2	2	2		Included in Assembly Hardware
3	93	252105-4	HEX. LOCK NUT M8-13	2	2	2		Included in Assembly Hardware
3	94	TR00000070	HEX.BOLT M16X50	2	2	2		
3	95	TR00000073	FLAT WASHER 17	2	2	2		
3	96	326968-5	SLEEVE 17	2	2	2		
3	97	TR00000073	FLAT WASHER 17	2	2	2		
3	98	TR00000072	SPRING 16	2	2	2		
3	99	TR00000071	HEX.NUT M16-24	2	2	2		
3	A05	781006-4	WRENCH 13	2	2	2		Not Pictured

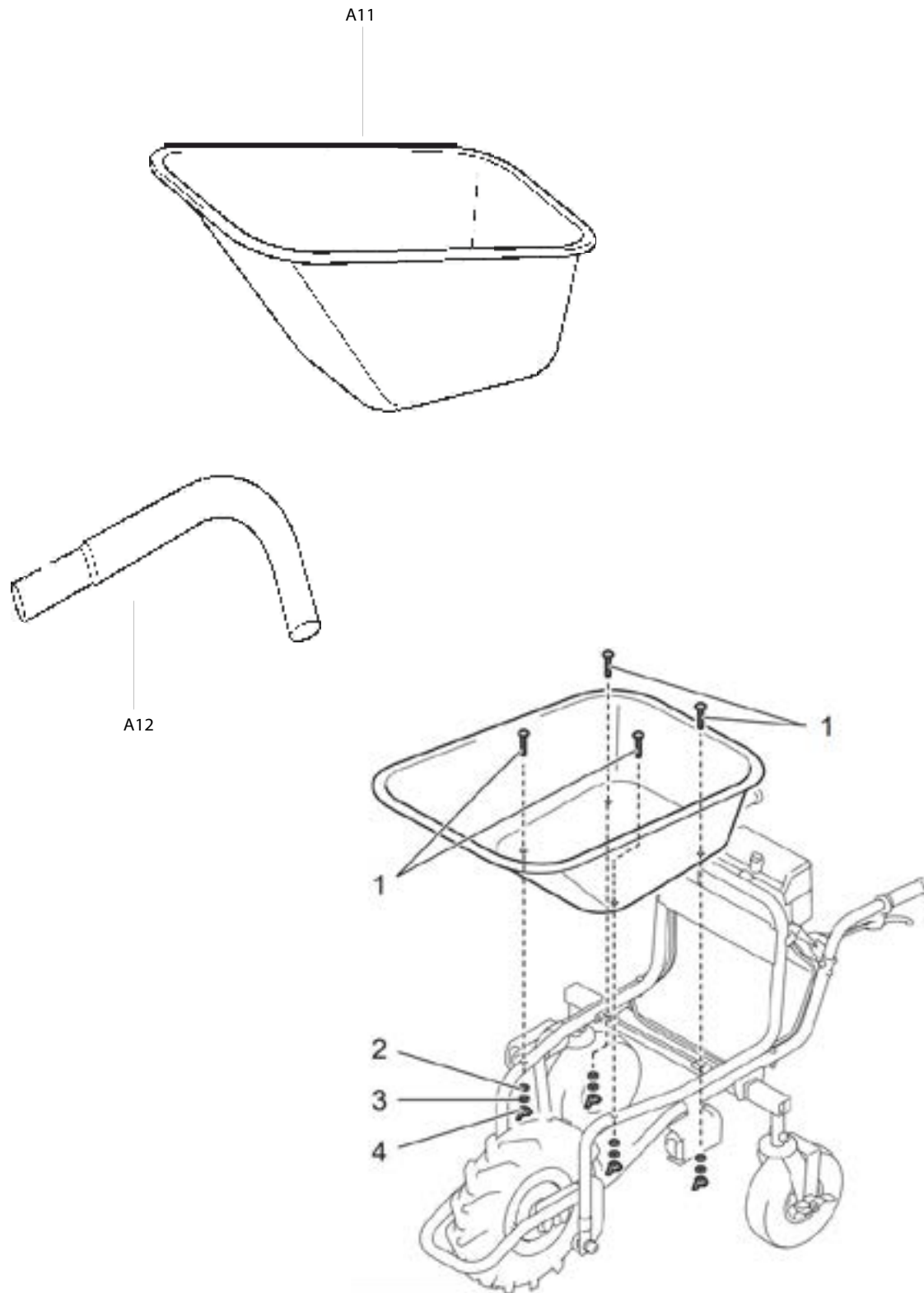


A10



Products with multiple versions are listed in subsiding order with the newest version on top not indented.

Section	Fig. No.	Part No.	Description	XUC01	XUC01X1	XUC01X2	Tech Bulletin	Notes
4	A08	199116-7	FLATBED PIPE FRAME			1		
4	A09	251541-1	THUMB SCREWS			6		
4	A10	144675-6	FOOT CPL.			1		
4	1	266358-9	SQUARE NUT BOLT			1		
4	2	941201-0	F. WASHER 8			1		
4	3	942201-3	SPRING WASHER 8			1		
4	4	934401-9	WING NUT M8			1		



Products with multiple versions are listed in subsiding order with the newest version on top not indented.

Section	Fig. No.	Part No.	Description	XUC01	XUC01X1	XUC01X2	Tech Bulletin	Notes
5	A11	198494-2	BUCKET TRAY		1			
5	A12	144675-6	FOOT CPL.			1		
5	1	266358-9	SQUARE NUT BOLT		1			
5	2	941201-0	F. WASHER 8		1			
5	3	942201-3	SPRING WASHER 8		1			
5	4	934401-9	WING NUT M8		1			