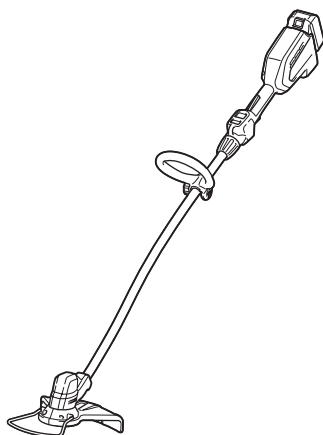


**INSTRUCTION MANUAL
MANUAL DE INSTRUCCIONES**



Cordless Grass Trimmer Cortador Inalámbrico de Pasto

XRU13



IMPORTANT: Read Before Using.
IMPORTANTE: Lea antes de usar.

SPECIFICATIONS

Model:		XRU13
No load speed (without cutting tool)		4,000/5,000/6,000 /min
Overall length (without cutting tool)		1,510 - 1,610 mm (59-1/2" - 63-1/2")
Nylon cord diameter		2.0 - 2.3 mm (0.08" - 0.09")
Applicable cutting tool and cutting diameter	Nylon cutting head (P/N 198971-4 / 198972-2)	300 mm (11-3/4")
Rated voltage		D.C. 18 V
Net weight		3.0 - 3.4 kg (6.6 - 7.4 lbs)

- Due to our continuing program of research and development, the specifications herein are subject to change without notice.
- Specifications may differ from country to country.
- The weight may differ depending on the attachment(s), including the battery cartridge. The lightest and heaviest combination, according to EPTA-Procedure 01/2014, are shown in the table.

Applicable battery cartridge and charger

Battery cartridge	BL1815N / BL1820B / BL1830 / BL1830B / BL1840B / BL1850B / BL1860B
Charger	DC18RC / DC18RD / DC18RE / DC18SD / DC18SE / DC18SF

- Some of the battery cartridges and chargers listed above may not be available depending on your region of residence.

⚠ WARNING: Only use the battery cartridges and chargers listed above. Use of any other battery cartridges and chargers may cause injury and/or fire.

SAFETY WARNINGS

Important safety instructions

⚠ WARNING: When using electric gardening appliances, basic safety precautions should always be followed to reduce the risk of fire, electric shock, and personal injury, including the following.

Read All Instructions

Failure to follow the warnings and instructions may result in electric shock, fire and/or serious injury.

SAVE THESE INSTRUCTIONS.

General instructions

1. Never allow people unfamiliar with these instructions or children to use the machine. Local regulations can restrict the age of the operator. It is dangerous in the hands of untrained users or children.
2. Be sure that anyone who is to operate the string trimmer has first read the instruction manual.
3. Use the string trimmer with the utmost care and attention.

4. Operate the string trimmer only if you are in good physical condition. Perform all work calmly and carefully. Use common sense and keep in mind that the operator or user is responsible for accidents or hazards occurring to other people or their property.
5. Never operate the string trimmer when tired, feeling ill or under the influence of alcohol or drugs.
6. Avoid accidentally starting:
 - Ensure the switch is in the off position before installing the battery pack. Inserting the battery pack into the string trimmer with the switch on invites accidents.
 - Carrying the string trimmer with your finger on the switch invites accidents.
7. The string trimmer should be switched off immediately if it shows any signs of abnormal operation.
8. Disconnect the battery from the string trimmer before making any adjustments, changing accessories or storing. Such preventive safety measures reduce the risk of starting the string trimmer accidentally.
9. Don't force the tool. It will do the job better and with less likelihood of a risk of injury at the rate for which it was designed.

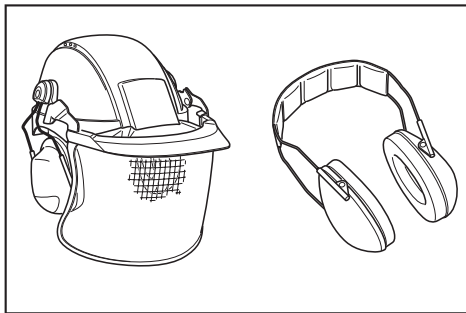
10. **Don't overreach. Keep proper footing and balance at all times.**
11. **Stay Alert - Watch what you are doing. Use common sense. Do not operate appliance when you are tired.**
12. **Store idle appliances indoors.**
13. **Keep fingers away from switch trigger when not operating the tool and when moving from one operating position to another.**

Intended use of the tool

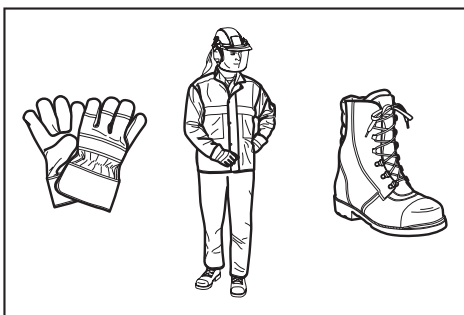
1. **Use right tool. The cordless string trimmer is only intended for cutting grass and light weeds. It should not be used for any other purpose such as edging or hedge cutting as this may cause injury.**
2. **Use only the manufacturer's recommended accessories and attachments.** Use of any other accessories and attachments may increase the risk of injury.

Personal protective equipment

1. **Dress Properly. The clothing worn should be functional and appropriate, i.e. it should be tight-fitting but not cause hindrance. Do not wear loose clothing or jewelry. They can be caught in moving parts. Use of thick leather gloves and substantial footwear is recommended when working outdoors. Wear protective hair covering to contain long hair.**
2. **In order to avoid either head, eye, hand or foot injuries as well as to protect your hearing the following protective equipment and protective clothing must be used during operation of the equipment.**



3. **Always wear a helmet where there is a risk of falling objects. The protective helmet is to be checked at regular intervals for damage and is to be replaced at least every five years. Use only approved protective helmets.**
4. **Use safety glasses. The visor of the helmet (or alternatively goggles) protects the face from flying debris and stones. During operation of the tool always wear goggles, or a visor to prevent eye injuries.**
5. **Wear adequate noise protection equipment to avoid hearing impairment (ear muffs, ear plugs etc.).**

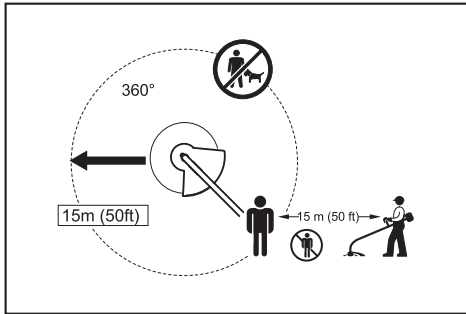


6. **Work overalls protect against injury from flying stones and debris. It is strongly recommended that the user wears work overalls.**
7. **Special gloves made of thick leather are part of the prescribed equipment and must always be worn during operation of the tool.**
8. **When using the tool, always wear sturdy shoes with a nonslip sole. This protects against injuries from flying debris and ensures a good footing.**
9. **Use a dust mask if operation is dusty.**

Electrical and battery safety

1. **Avoid dangerous environment. Don't use the tool in damp or wet locations or expose it to rain.** Water entering the tool will increase the risk of electric shock.
2. **Recharge only with the charger specified by the manufacturer.** A charger that is suitable for one type of battery pack may create a risk of fire when used with another battery pack.
3. **Use power tools only with specifically designated battery packs.** Use of any other battery packs may create a risk of injury and fire.
4. **When battery pack is not in use, keep it away from other metal objects, like paper clips, coins, keys, nails, screws or other small metal objects, that can make a connection from one terminal to another.** Shorting the battery terminals together may cause burns or a fire.
5. **Under abusive conditions, liquid may be ejected from the battery; avoid contact. If contact accidentally occurs, flush with water. If liquid contacts eyes, seek medical help.** Liquid ejected from the battery may cause irritation or burns.
6. **Do not dispose of the battery(ies) in a fire.** The cell may explode. Check with local codes for possible special disposal instructions.
7. **Do not open or mutilate the battery(ies).** Released electrolyte is corrosive and may cause damage to the eyes or skin. It may be toxic if swallowed.
8. **Do not charge battery in rain, or in wet locations.**

Starting up the tool



1. Make sure that there are no children or other people within a working range of 15 meters (50 ft), also pay attention to any animals in the working vicinity. Otherwise stop using the tool.
2. Before use always check that the tool is safe for operation. Check the security of the nylon cutting head and the guard and the switch trigger/lever for easy and proper action. Check for clean and dry handles and test the on/off function of the switch.
3. Check damaged parts before further use of the tool. A guard or other part that is damaged should be carefully checked to determine that it will operate properly and perform its intended function. Check for alignment of moving parts, binding of moving parts, breakage of parts, mounting, and any other condition that may affect its operation. A guard or other part that is damaged should be properly repaired or replaced by our authorized service center unless indicated elsewhere in this manual.
4. Switch on the motor only when hands and feet are away from the nylon cutting head.
5. Before starting make sure that the nylon cutting head has no contact with hard objects such as branches, stones etc. as the nylon cutting head will revolve when starting.
6. Remove any adjusting key, wrench or blade cover before turning the power tool on. An accessory left attached to a rotating part of the power tool may result in personal injury.
7. Make sure there are no electrical cables, water pipes, gas pipes etc. that could cause a hazard if damaged by use of the tool.
8. Should the nylon cutting head hit stones or other hard objects, immediately switch off the motor and inspect the nylon cutting head.
9. Before commencing cutting, the nylon cutting head must have reached full working speed.
10. During operation always hold the tool with both hands. Never hold the tool with one hand during use. Always ensure a safe footing.
11. The nylon cutting head has to be equipped with the guard. Never run the tool with damaged guards or without guards in place!
12. All protective equipment such as guards supplied with the string trimmer must be used during operation.
13. Except in case of emergency, never drop or cast the tool to the ground or this may severely damage the tool.
14. Never drag the tool on the ground when moving from place to place, the tool may become damaged if moved in this manner.
15. Always remove the battery cartridge from the tool:
 - whenever leaving the tool unattended;
 - before clearing a blockage;
 - before checking, cleaning or working on the tool;
 - whenever the tool starts vibrating abnormally;
 - whenever transporting the tool.
16. Always ensure that the ventilation openings are kept clear of debris.
17. Cutting elements continue to rotate after the motor is switched off.
18. Do not operate power tools in explosive atmospheres, such as in the presence of flammable liquids, gases or dust. Power tools create sparks which may ignite the dust or fumes.
19. Take a rest to prevent loss of control caused by fatigue. We recommend to take a 10 to 20-minute rest every hour.
20. Hold the power tool by insulated gripping surfaces only, because the cutter blade may contact hidden wiring. Cutter blades contacting a "live" wire may make exposed metal parts of the power tool "live" and could give the operator an electric shock.
21. Do not use the tool on steep slopes.
22. The shoulder harness must be used during operation, if supplied with the tool.

Method of operation

1. Only use the tool in good light and visibility. During the winter season beware of slippery or wet areas, ice and snow (risk of slipping). Always ensure a safe footing.
2. Take care against injury to feet and hands from the nylon cutting head.
3. Never cut above waist height.
4. Never stand on a ladder and run the tool.
5. Never climb up into trees to perform cutting operation with the tool.
6. Never work on unstable surfaces.
7. Remove sand, stones, nails etc. found within the working range. Foreign particles may damage the nylon cutting head.

Maintenance instructions

1. The condition of the nylon cutting head, protective devices must be checked before commencing work.
2. Turn off the motor and remove the battery cartridge before carrying out maintenance, replacing the nylon cutting head or nylon cord and cleaning the tool.
3. Check for loose fasteners and damaged parts such as cracks in the nylon cutting head.
4. Follow instructions for lubricating and changing accessories if applicable.
5. When not in use store the equipment in an indoor dry location that is locked up or out of children's reach.

6. Use only the manufacturer's recommended replacement parts and accessories.
7. Inspect and maintain the tool regularly, especially before/after use. Have the tool repaired only by our authorized service center.
8. Keep handles dry, clean and free from oil and grease.

SAVE THESE INSTRUCTIONS.


⚠WARNING: DO NOT let comfort or familiarity with product (gained from repeated use) replace strict adherence to safety rules for the subject product. MISUSE or failure to follow the safety rules stated in this instruction manual may cause serious personal injury.

⚠WARNING: Use of this product can create dust containing chemicals which may cause respiratory or other illnesses. Some examples of these chemicals are compounds found in pesticides, insecticides, fertilizers and herbicides.

Your risk from these exposures varies, depending on how often you do this type of work. To reduce your exposure to these chemicals: work in a well ventilated area, and work with approved safety equipment, such as those dust masks that are specially designed to filter out microscopic particles.

Symbols

The followings show the symbols used for tool.

V	volts
	direct current
n_0	no load speed
... /min r /min	revolutions or reciprocation per minute

Important safety instructions for battery cartridge

1. Before using battery cartridge, read all instructions and cautionary markings on (1) battery charger, (2) battery, and (3) product using battery.
2. Do not disassemble battery cartridge.
3. If operating time has become excessively shorter, stop operating immediately. It may result in a risk of overheating, possible burns and even an explosion.
4. If electrolyte gets into your eyes, rinse them out with clear water and seek medical attention right away. It may result in loss of your eyesight.

5. Do not short the battery cartridge:
 - (1) Do not touch the terminals with any conductive material.
 - (2) Avoid storing battery cartridge in a container with other metal objects such as nails, coins, etc.
 - (3) Do not expose battery cartridge to water or rain.

A battery short can cause a large current flow, overheating, possible burns and even a breakdown.

6. Do not store the tool and battery cartridge in locations where the temperature may reach or exceed 50 °C (122 °F).
7. Do not incinerate the battery cartridge even if it is severely damaged or is completely worn out. The battery cartridge can explode in a fire.
8. Be careful not to drop or strike battery.
9. Do not use a damaged battery.
10. The contained lithium-ion batteries are subject to the Dangerous Goods Legislation requirements.

For commercial transports e.g. by third parties, forwarding agents, special requirement on packaging and labeling must be observed.

For preparation of the item being shipped, consulting an expert for hazardous material is required. Please also observe possibly more detailed national regulations.

Tape or mask off open contacts and pack up the battery in such a manner that it cannot move around in the packaging.

11. Follow your local regulations relating to disposal of battery.
12. Use the batteries only with the products specified by Makita. Installing the batteries to non-compliant products may result in a fire, excessive heat, explosion, or leak of electrolyte.

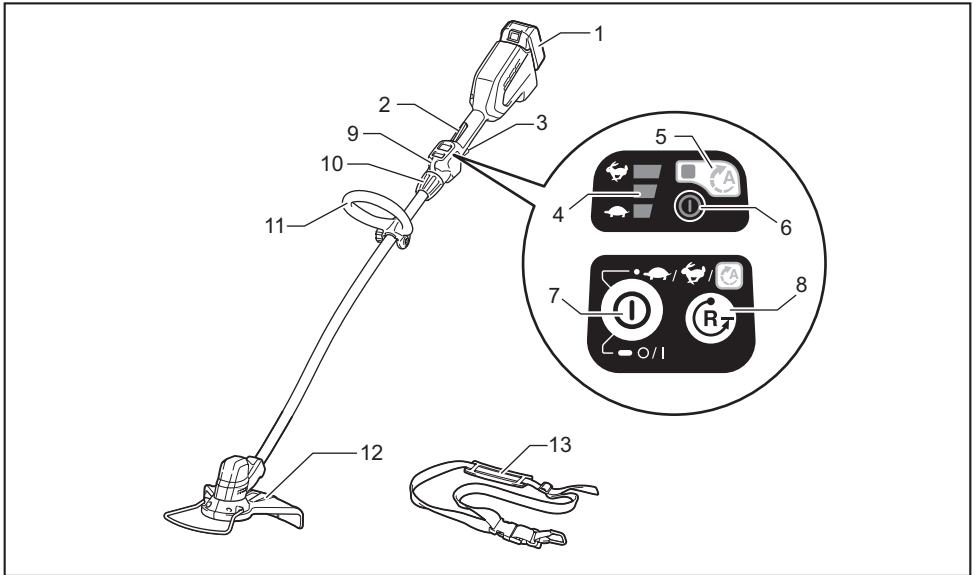
SAVE THESE INSTRUCTIONS.

⚠CAUTION: Only use genuine Makita batteries. Use of non-genuine Makita batteries, or batteries that have been altered, may result in the battery bursting causing fires, personal injury and damage. It will also void the Makita warranty for the Makita tool and charger.

Tips for maintaining maximum battery life

1. Charge the battery cartridge before completely discharged. Always stop tool operation and charge the battery cartridge when you notice less tool power.
2. Never recharge a fully charged battery cartridge. Overcharging shortens the battery service life.
3. Charge the battery cartridge with room temperature at 10 °C - 40 °C (50 °F - 104 °F). Let a hot battery cartridge cool down before charging it.
4. Charge the battery cartridge if you do not use it for a long period (more than six months).

PARTS DESCRIPTION



1	Battery cartridge	2	Lock-off lever	3	Switch trigger	4	Speed indicator
5	Auto speed control indicator	6	Power lamp	7	Main power button	8	Reverse button
9	Hanger	10	Lock sleeve	11	Handle	12	Protector (cutting tool guard)
13	Shoulder harness	-	-	-	-	-	-

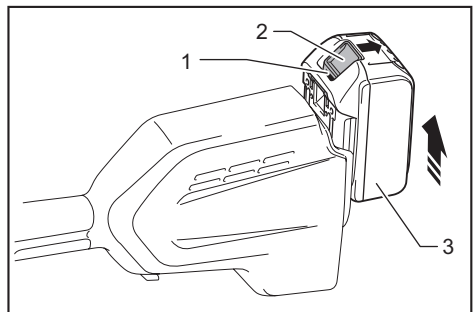
FUNCTIONAL DESCRIPTION

⚠ WARNING: Always be sure that the tool is switched off and the battery cartridge is removed before adjusting or checking function on the tool. Failure to switch off and remove the battery cartridge may result in serious personal injury from accidental start-up.

Installing or removing battery cartridge

⚠ CAUTION: Always switch off the tool before installing or removing of the battery cartridge.

⚠ CAUTION: Hold the tool and the battery cartridge firmly when installing or removing battery cartridge. Failure to hold the tool and the battery cartridge firmly may cause them to slip off your hands and result in damage to the tool and battery cartridge and a personal injury.



► 1. Red indicator 2. Button 3. Battery cartridge

To remove the battery cartridge, slide it from the tool while sliding the button on the front of the cartridge.








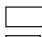

To install the battery cartridge, align the tongue on the battery cartridge with the groove in the housing and slip it into place. Insert it all the way until it locks in place with a little click. If you can see the red indicator on the upper side of the button, it is not locked completely.

⚠ CAUTION: Always install the battery cartridge fully until the red indicator cannot be seen. If not, it may accidentally fall out of the tool, causing injury to you or someone around you.


⚠ CAUTION: Do not install the battery cartridge forcibly. If the cartridge does not slide in easily, it is not being inserted correctly.

Tool / battery protection system

The tool is equipped with a tool/battery protection system. This system automatically cuts off power to the motor to extend tool and battery life. The tool will automatically stop during operation if the tool or battery is placed under one of the following conditions:


Status	Indicator lamps		
	■ On	□ Off	▨ Blinking
Overload			
Overheat			
Over discharge			

Overload protection

If the tool is overloaded by entangled weeds or other debris,  and the middle indicators start blinking and the tool automatically stops.


In this situation, turn the tool off and stop the application that caused the tool to become overloaded. Then turn the tool on to restart.

Overheat protection for tool or battery

There are two types of overheating; tool overheating and battery overheating. When the tool over heating occurs, all speed indicators blink. When the battery over heating occurs,  indicator blinks.

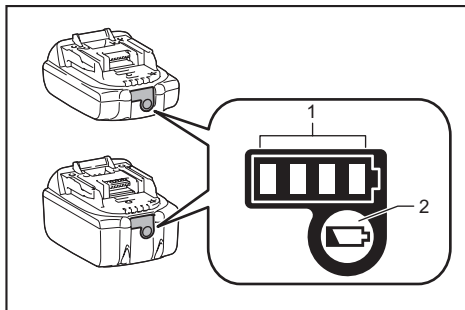
If the overheating occurs, the tool stops automatically. Let the tool and/or battery cool down before turning the tool on again.

Overdischarge protection

When the battery capacity becomes low, the tool stops automatically and  indicator blinks. If the tool does not operate even when the switches are operated, remove the batteries from the tool and charge the batteries.






















Indicating the remaining battery capacity

Only for battery cartridges with the indicator



► 1. Indicator lamps 2. Check button

Press the check button on the battery cartridge to indicate the remaining battery capacity. The indicator lamps light up for a few seconds.

Indicator lamps			Remaining capacity
■ Lighted	□ Off	▨ Blinking	
			75% to 100%
			50% to 75%
			25% to 50%
			0% to 25%
			Charge the battery.
			The battery may have malfunctioned.
			

NOTE: Depending on the conditions of use and the ambient temperature, the indication may differ slightly from the actual capacity.

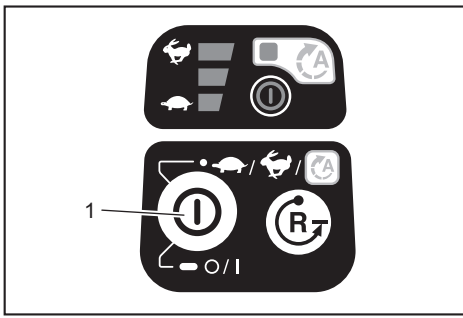
Power switch action

⚠ WARNING: Before installing the battery cartridge on the tool, always check to see that the switch trigger actuates properly and returns to the "OFF" position when released. Operating a tool with a switch that does not actuate properly can lead to loss of control and serious personal injury.

⚠ CAUTION: Never put your finger on the switch when carrying. The tool may start unintentionally and cause injury.

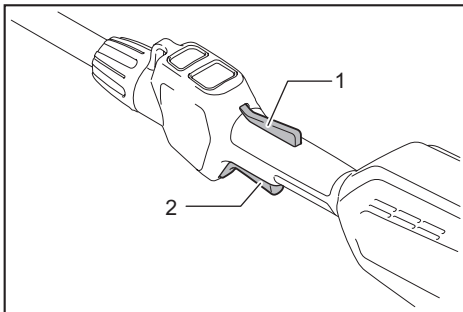
Press and hold the main power button for some seconds to turn on the tool.

To turn off the tool, press and hold the main power button again.



► 1. Main power button

To prevent the switch trigger from being accidentally pulled, a lock-off lever is provided.
To start the tool, grasp the handle (the lock-off lever is released by the grasp) and then pull the switch trigger.
To stop the tool, release the switch trigger.

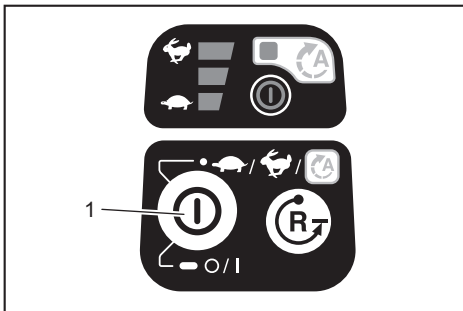


► 1. Lock-off lever 2. Switch trigger

NOTE: The tool is automatically turned off after the tool is left one minute without any operations.

Speed adjusting

You can adjust the tool speed by tapping the main power button.
Each time you tap the main power button, the level of speed will change.



► 1. Main power button

Indicator	Mode	Rotation speed
	Auto	4,000 - 6,000 min ⁻¹
	High	6,000 min ⁻¹
	Medium	5,000 min ⁻¹
	Low	4,000 min ⁻¹

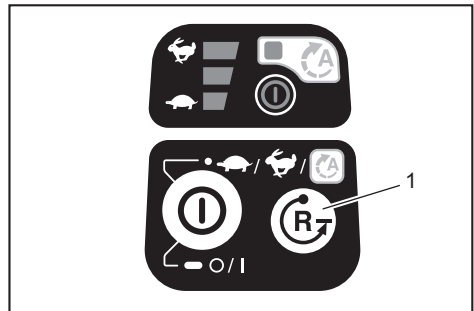
Reverse button for debris removal

⚠WARNING: Switch off the tool and remove the battery cartridge before you remove entangled weeds or debris which the reverse rotation function can not remove. Failure to switch off and remove the battery cartridge may result in serious personal injury from accidental start-up.

This tool has a reverse button to change the direction of rotation. It is only for removing weeds and debris entangled in the tool.

To reverse the rotation, tap the reverse button and pull the trigger when the tool's head is stopped. The power lamp starts blinking, and the tool's head rotates in reverse direction when you pull the switch trigger.

To return to regular rotation, release the trigger and wait until the tool's head stops.



► 1. Reverse button

NOTE: During the reverse rotation, the tool operates only for a short period of time and then automatically stops.

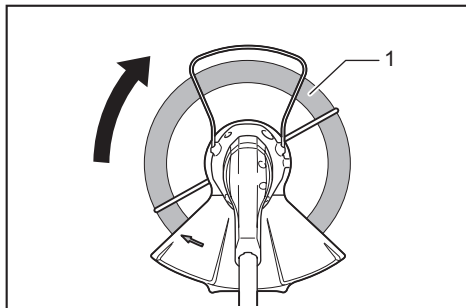
NOTE: Once the tool is stopped, the rotation returns to regular direction when you start the tool again.

NOTE: If you tap the reverse button while the tool's head is still rotating, the tool comes to stop and to be ready for reverse rotation.

Nylon cutting head

Optional accessory

NOTICE: The bump feed will not operate properly if the head is not rotating.



- 1. Most effective cutting area

The nylon cutting head is a dual string trimmer head provided with a bump & feed mechanism. To feed out the nylon cord, tap the cutting head against the ground while rotating.

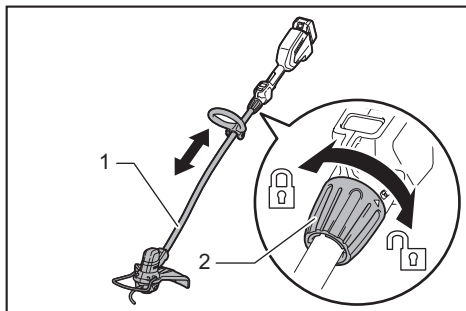
NOTE: If the nylon cord does not feed out while tapping the head, rewind/replace the nylon cord by following the procedures described under "Maintenance".

Adjusting the shaft length

WARNING: Before adjusting the shaft length, release the switch trigger and remove the battery cartridge from the tool. Failure to release the trigger and removing the battery cartridge may cause a personal injury.

CAUTION: Make sure to tighten the lock sleeve before operation. Otherwise the tool may lose control and result in personal injury.

To adjust the length of the shaft, turn the lock sleeve counterclockwise until the arrow mark on the lock sleeve indicates the unlock mark on the housing, and pull out or push in the shaft to the desired length. After adjustment, tighten the lock sleeve until the arrow mark on the lock sleeve indicates the lock mark on the housing.



- 1. Shaft 2. Lock sleeve

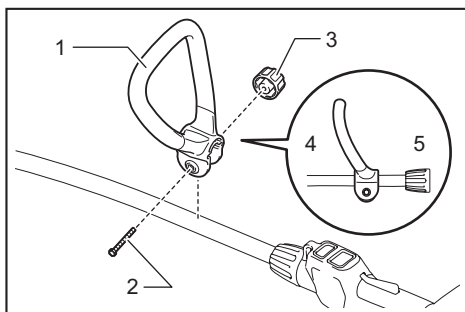
ASSEMBLY

WARNING: Always be sure that the tool is switched off and battery cartridge is removed before carrying out any work on the tool. Failure to switch off and remove the battery cartridge may result in serious personal injury from accidental start-up.

WARNING: Never start the tool unless it is completely assembled. Operation of the tool in a partially assembled state may result in serious personal injury from accidental start-up.

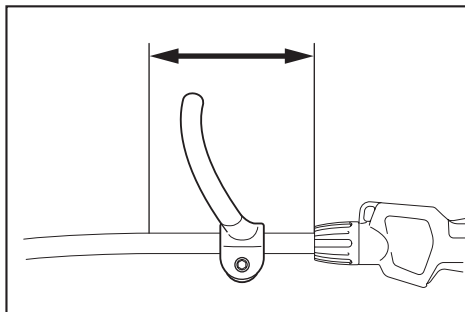
Installing the handle

Fit the handle onto the shaft and secure it with the bolt and the knob.



- 1. Handle 2. Bolt 3. Knob 4. Cutting tool side
5. Battery cartridge side

Make sure that the handle is located in the straight area of the shaft as shown in the figure.

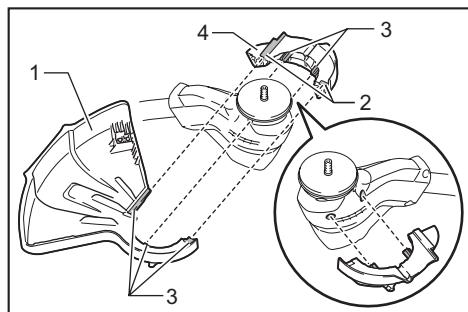


Installing the protector

WARNING: Never use the tool without the protector illustrated in place. Failure to do so can cause serious personal injury.

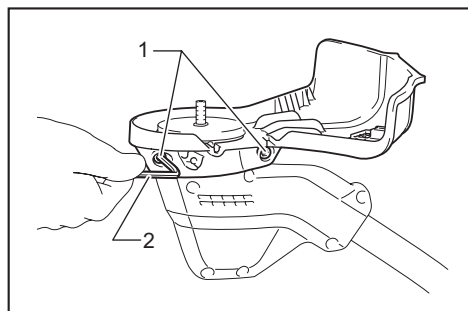
CAUTION: Take care not to injure yourself on the cutter for cutting the nylon cord.

1. Attach the protector and the protector holder to the motor housing as illustrated. Be sure to fit the projections and grooves on them to their counter parts.



► 1. Protector 2. Groove 3. Projection 4. Protector holder

2. Tighten the hex socket head bolts securely to fasten the protector and the protector holder.



► 1. Hex socket head bolt 2. Hex wrench

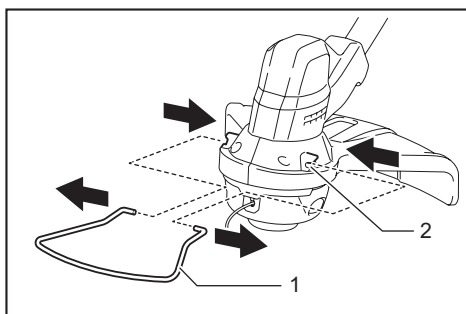
Installing the wire guard

CAUTION: Before adjusting the wire guard, wait for the cutting head comes to standstill. Do not adjust the wire guard with your foot.



To reduce the risk damaging the objects in front of the cutting head, insert the wire guard so that it controls the cutting range of the mowing line.

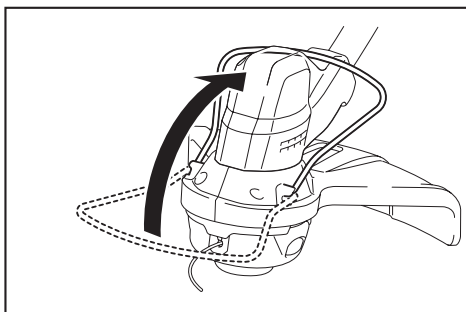
Slightly expand the wire guard outward and then insert it into the holes on the protector.



► 1. Wire guard 2. Hole (on both sides)

NOTICE: Do not expand the wire guard outward too much. Otherwise it may break.

When wire guard is not in use, lift it for the idle position.



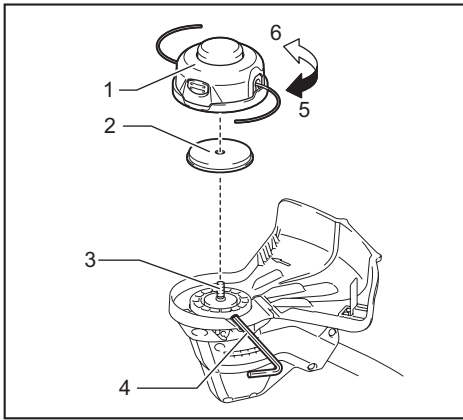
Installing nylon cutting head

Optional accessory

CAUTION: If the nylon cutting head accidentally impacts a rock or hard object during operation, stop the tool and inspect for any damage. If the nylon cutting head is damaged, replace it immediately. Use of a damaged cutting tool could result in serious personal injury.

CAUTION: Be sure to remove the hex wrench after installation.

NOTICE: Be sure to use genuine Makita nylon cutting head.



- 1. Nylon cutting head 2. Metal guard 3. Spindle
4. Hex wrench 5. Tighten 6. Loosen

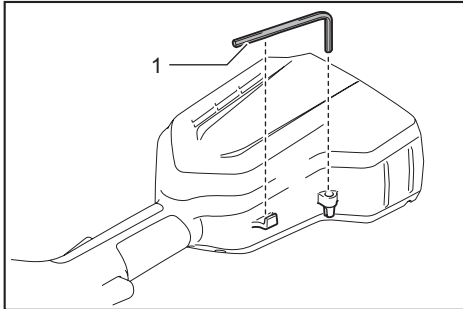
1. Turn the tool upside down so that you can replace the cutting tool easily.
2. Insert the hex wrench through the hole on the motor housing and rotate the spindle until the spindle is locked.
3. Place the nylon cutting head onto the threaded spindle directly and tighten it by turning in the tightening direction as shown in the figure.
4. Remove the hex wrench.

To remove the nylon cutting head, turn it in the opposite direction while locking the spindle with the hex wrench.

Hex wrench storage

CAUTION: Be careful not to leave the hex wrench inserted in the tool head. It may cause injury and/or damage to the tool.

When not in use, store the hex wrench as shown in the figure to keep it from being lost.



- 1. Hex wrench

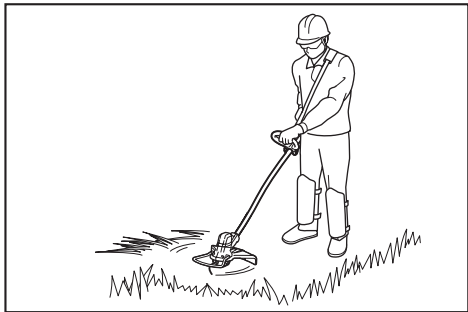
OPERATION

Correct handling of tool

WARNING: Always position the tool on your right-hand side. Correct positioning of the tool allows for maximum control and will reduce the risk of serious personal injury caused by kickback.

WARNING: Be extremely careful to maintain control of the tool at all times. Do not allow the tool to be deflected toward you or anyone in the work vicinity. Failure to keep control of the tool could result in serious injury to the bystander and the operator.

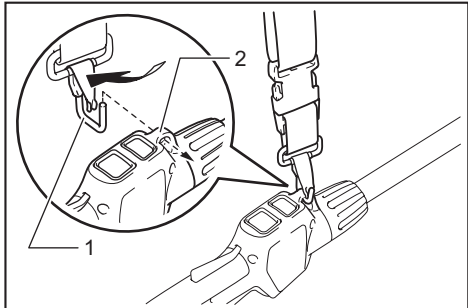
WARNING: To avoid accident, leave more than 15m (50 ft) distance between operators when two or more operators work in one area. Also, arrange a person to observe the distance between operators. If someone or an animal enter the working area, immediately stop the operation.



Attachment of shoulder harness

CAUTION: Always use the shoulder harness attached. Before operation, adjust the shoulder harness according to the user size to prevent fatigue.

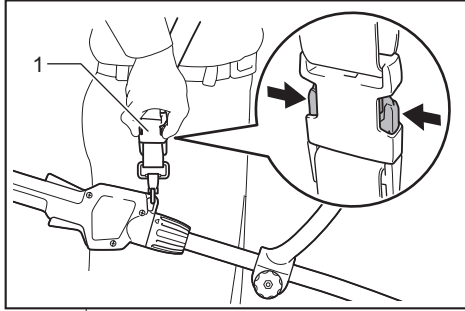
Connect the clasp of the shoulder harness to the hanger part of the housing. Put the shoulder harness on. Be sure that the buckles are locked completely in place.



- 1. Clasp 2. Hanger

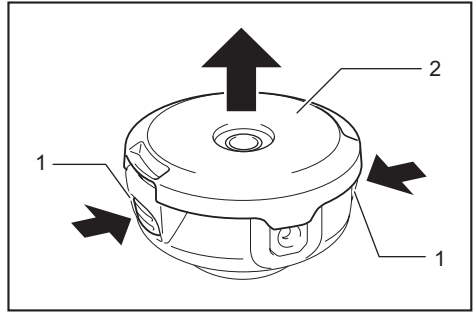
Detachment

The buckle is provided with a means of quick release. Simply squeeze the sides of the buckle to release the tool.



► 1. Buckle

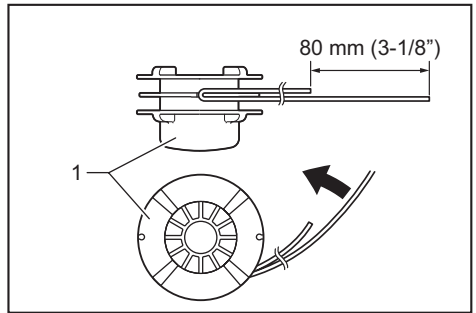
1. Press on the housing latches inward to lift off the cover, then remove the spool.



► 1. Latch 2. Cover

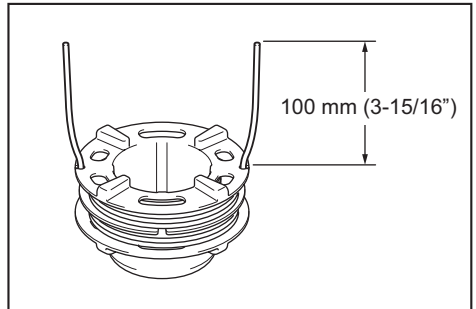
2. Prepare approximately 3 m (9 ft) of new nylon cord. Fold the new nylon cord with one end become approximately 80 mm (3-1/8") longer than the other end. Then hook the new nylon cord into the notch in the center of the spool.

Wind both ends firmly around the spool in the direction of the head rotation (right-hand direction indicated by RH on the side of the spool).



► 1. Spool

3. Wind all but about 100 mm (3 - 15/16") of the cords, leaving the ends temporarily hooked through a notch on the side of the spool.



MAINTENANCE

⚠ WARNING: Always be sure that the tool is switched off and battery cartridge is removed before attempting to perform inspection or maintenance on the tool. Failure to switch off and remove the battery cartridge may result in serious personal injury from accidental start-up.

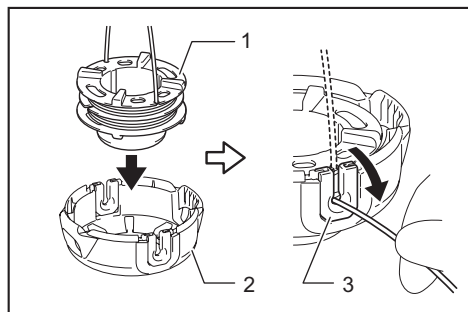
NOTICE: Never use gasoline, benzine, thinner, alcohol or the like. Discoloration, deformation or cracks may result.

Replacing the nylon cord

⚠ WARNING: Use nylon cord with diameter specified in "SPECIFICATIONS" only. Never use heavier line, metal wire, rope or the like. Use recommended nylon cord only, otherwise it may cause damage to the tool and result in serious personal injury.

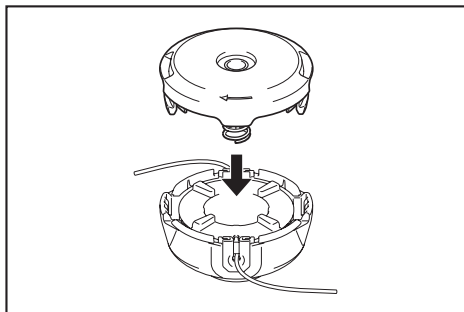
⚠ WARNING: Make sure that the cover of the nylon cutting head is secured to the housing properly as described below. Failure to properly secure the cover may cause the nylon cutting head to fly apart resulting in serious personal injury.

4. Mount the spool in the housing so that the grooves and protrusions on the spool match up with those in the housing. Keep the side with letters on the spool visible on the top. Now, unhook the ends of the cord from their temporary position and feed the cords through the eyelets to come out of the housing.



▶ 1. Spool 2. Housing 3. Eyelet

5. Align the protrusion on the underside of the cover with the slots of the eyelets. Then push the cover firmly onto the housing to secure it.



To maintain product SAFETY and RELIABILITY, repairs, any other maintenance or adjustment should be performed by Makita Authorized or Factory Service Centers, always using Makita replacement parts.

TROUBLESHOOTING

Before asking for repairs, conduct your own inspection first. If you find a problem that is not explained in the manual, do not attempt to dismantle the tool. Instead, ask Makita Authorized Service Centers, always using Makita replacement parts for repairs.

State of abnormality	Probable cause (malfunction)	Remedy
Motor does not run.	Battery cartridge is not installed.	Install the battery cartridge.
	Battery problem (under voltage)	Recharge the battery. If recharging is not effective, replace battery.
	The drive system does not work correctly.	Ask your local authorized service center for repair.
Motor stops running after a little use.	Battery's charge level is low.	Recharge the battery. If recharging is not effective, replace battery.
	Overheating.	Stop using of tool to allow it to cool down.
It does not reach maximum RPM.	Battery is installed improperly.	Install the battery cartridge as described in this manual.
	Battery power is dropping.	Recharge the battery. If recharging is not effective, replace battery.
	The drive system does not work correctly.	Ask your local authorized service center for repair.
Cutting tool does not rotate: ⇒ stop the machine immediately!	Foreign object such as a branch is jammed between the protector and the cutting tool.	Remove the foreign object.
	The drive system does not work correctly.	Ask your local authorized service center for repair.
Abnormal vibration: ⇒ stop the machine immediately!	One end of the nylon cord has been broken.	Tap the nylon cutting head against the ground while it is rotating to cause the cord to feed.
	The drive system does not work correctly.	Ask your local authorized service center for repair.
Cutting tool and motor cannot stop: ⇒ Remove the battery immediately!	Electric or electronic malfunction.	Remove the battery and ask your local authorized service center for repair.

OPTIONAL ACCESSORIES

⚠WARNING: Do not mount a metal blade on this tool and only use the recommended accessories or attachments indicated in this manual. The use of a metal blade or any other accessory or attachment may result in serious personal injury.

⚠CAUTION: These accessories or attachments are recommended for use with your Makita tool specified in this manual. The use of any other accessories or attachments might present a risk of injury to persons. Only use accessory or attachment for its stated purpose.

If you need any assistance for more details regarding these accessories, ask your local Makita Service Center.

- Nylon cutting head
- Nylon cord (cutting line)
- Makita genuine battery and charger

NOTE: Some items in the list may be included in the tool package as standard accessories. They may differ from country to country.

MAKITA LIMITED WARRANTY

Please refer to the annexed warranty sheet for the most current warranty terms applicable to this product. If annexed warranty sheet is not available, refer to the warranty details set forth at below website for your respective country.

United States of America: www.makitatools.com

Canada: www.makita.ca

Other countries: www.makita.com

ESPECIFICACIONES

Modelo:	XRU13	
Velocidad sin carga (sin la herramienta de corte)	4 000 r/min/5 000 r/min/6 000 r/min	
Longitud total (sin la herramienta de corte)	1 510 mm - 1 610 mm (59-1/2" - 63-1/2")	
Diámetro del cordón de nailon	2,0 mm - 2,3 mm (0,08" - 0,09")	
Herramienta de corte aplicable y diámetro de corte	Cabezal de corte de nailon (No. de pza. 198971-4 / 198972-2)	300 mm (11-3/4")
Tensión nominal	18 V c.c.	
Peso neto	3,0 kg - 3,4 kg (6,6 lbs - 7,4 lbs)	

- Debido a nuestro continuo programa de investigación y desarrollo, las especificaciones aquí incluidas están sujetas a cambio sin previo aviso.
- Las especificaciones pueden variar de país a país.
- El peso puede variar en función de los accesorios, incluido el cartucho de batería. En la tabla se muestra la combinación de peso más ligero y más pesado conforme al procedimiento 01/2014 de EPTA.

Cartucho de batería y cargador aplicables

Cartucho de batería	BL1815N / BL1820B / BL1830 / BL1830B / BL1840B / BL1850B / BL1860B
Cargador	DC18RC / DC18RD / DC18RE / DC18SD / DC18SE / DC18SF

- Algunos de los cartuchos de batería y cargadores enumerados arriba podrían no estar disponibles dependiendo de su área de residencia.

⚠ ADVERTENCIA: Use únicamente los cartuchos de batería y los cargadores indicados arriba. El uso de cualquier otro cartucho de batería y cargador podría ocasionar una lesión y/o un incendio.

ADVERTENCIAS DE SEGURIDAD

Instrucciones importantes de seguridad

⚠ ADVERTENCIA: Al utilizar aparatos eléctricos de jardinería, siempre deben tomarse en cuenta las precauciones básicas de seguridad a fin de reducir el riesgo de incendio, descarga eléctrica y lesiones personales, incluyendo lo siguiente.

Lea todas las instrucciones

El no seguir las advertencias e instrucciones podrá ocasionar descargas eléctricas, incendios y/o lesiones graves.

GUARDE ESTAS INSTRUCCIONES.

Instrucciones generales

1. Nunca permita que los niños o gente que no esté familiarizada con estas instrucciones utilice la máquina. Las regulaciones locales pueden restringir la edad del operador. Es peligroso en manos de usuarios no entrenados o de niños.
2. Asegúrese de que cualquier persona que vaya a utilizar la desbrozadora haya leído primero el manual de instrucciones.
3. Use la desbrozadora con extremo cuidado y atención.
4. Opere la desbrozadora sólo si se encuentra en buena condición física. Realice todo el trabajo tranquila y cuidadosamente. Use el sentido común y tenga en cuenta que el operador o usuario es responsable de los accidentes o peligros que le ocurran a otras personas o a su propiedad.
5. Nunca opere la desbrozadora si está cansado, se siente enfermo o está bajo la influencia de alcohol o drogas.
6. Evite la puesta en marcha accidental:
 - Asegúrese de que el interruptor se encuentre en la posición de apagado antes de instalar el paquete de batería. Insertar el paquete de batería en la desbrozadora con el interruptor encendido puede provocar accidentes.
 - Cargar la desbrozadora con su dedo en el interruptor puede provocar accidentes.
7. La desbrozadora deberá apagarse inmediatamente si muestra alguna señal de operación anormal.

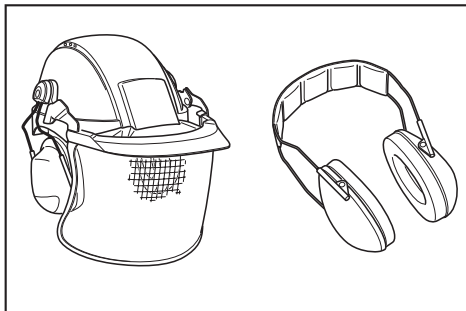
8. **Desconecte la batería de la desbrozadora antes de hacer cualquier ajuste, cambiar accesorios o almacenar la herramienta.** Tales medidas de seguridad preventivas reducirán el riesgo de que la desbrozadora sea puesta en marcha accidentalmente.
9. **No fuerce la herramienta.** Esto permitirá hacer mejor el trabajo con un menor riesgo de lesiones a la velocidad para la que fue diseñada.
10. **No utilice la herramienta donde no alcance. Mantenga los pies sobre suelo firme y el equilibrio en todo momento.**
11. **Manténgase alerta - Preste atención a lo que está haciendo. Utilice el sentido común. No utilice el aparato cuando esté cansado.**
12. **Almacene los aparatos que no use en interiores.**
13. **Mantenga los dedos alejados del gatillo interruptor cuando no opere la herramienta y cuando pase de una posición de operación a otra.**

Uso previsto de la herramienta

1. **Utilice la herramienta adecuada. La desbrozadora inalámbrica está diseñada sólo para cortar césped y maleza ligera. No debe utilizarse para ningún otro propósito tal como la poda de bordes o cercos de setos, ya que esto podría causar lesiones.**
2. **Use sólo los accesorios y aditamentos recomendados por el fabricante.** El uso de cualquier otro accesorio y aditamento puede incrementar el riesgo de lesiones.

Equipo de protección personal

1. **Use una vestimenta adecuada. La vestimenta que lleve deberá ser funcional y adecuada, es decir, deberá quedar ajustada pero sin que estorbe. No use ropa floja ni alhajas. Éstas podrían engancharse en las piezas móviles. Cuando se trabaje en exteriores es recomendable usar guantes de piel gruesa y un calzado resistente. Lleve protección en el cabello para cubrirlo en caso de tenerlo largo.**
2. **Para evitar lesiones ya sea en la cabeza, ojos, manos o pies, así como para proteger su audición, se requiere el uso del siguiente equipo de protección y prendas protectoras durante la operación del equipo.**



3. **Use siempre casco donde haya riesgo de caída de objetos. El casco protector debe ser revisado durante intervalos periódicos para ver si tiene daños y debe reemplazarse al menos cada cinco años. Use sólo cascos protectores aprobados.**

4. **Use gafas de seguridad. El visor del casco (o gafas protectoras como alternativa) protege la cara de los residuos y piedras que salgan proyectados. Use siempre gafas protectoras o visor para evitar lesiones en los ojos durante el uso de la herramienta.**
5. **Use un equipo adecuado de protección contra ruido para evitar el daño auditivo (orejeras, tapones para los oídos, etc.).**



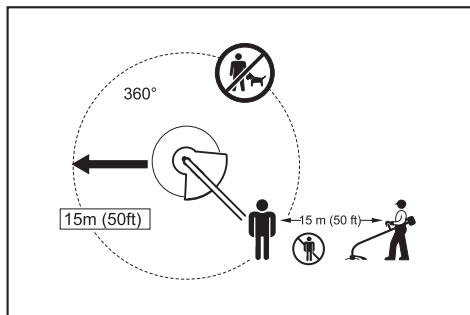
6. **Los overoles de trabajo protegen contra lesiones a causa de residuos y piedras que salgan proyectados. Es altamente recomendable que el usuario use un overol de trabajo.**
7. **Los guantes especiales hechos de piel gruesa forman parte del equipo recomendado y deben usarse siempre durante la operación de la herramienta.**
8. **Cuando utilice la herramienta, use siempre un calzado resistente con suela antiderrapante. Esto lo protegerá contra lesiones a causa de residuos que salgan proyectados y asegurará que pise firmemente.**
9. **Utilice una máscara contra polvo si la operación es polvorienta.**

Seguridad eléctrica y de la batería

1. **Evite los entornos peligrosos. No utilice la herramienta en lugares húmedos o mojados ni la esponja a la lluvia. El agua que ingrese a la herramienta incrementará el riesgo de descarga eléctrica.**
2. **Recargue sólo con el cargador especificado por el fabricante. Un cargador que sea adecuado para un tipo específico de paquete de batería puede generar un riesgo de incendio al usarse con un paquete de batería distinto.**
3. **Utilice las herramientas eléctricas solamente con los paquetes de baterías designados específicamente para ellas. El uso de cualquier otro paquete de batería puede generar riesgo de lesión e incendio.**
4. **Cuando no se esté usando el paquete de batería, manténgalo alejado de otros objetos metálicos, como sujetapapeles (clips), monedas, llaves, clavos, tornillos u otros objetos pequeños de metal que puedan crear una conexión entre una terminal y otra. Causar un cortocircuito en las terminales de la batería puede provocar quemaduras o incendio.**
5. **En condiciones de mal uso, podría escapar líquido de la batería; evite el contacto. Si toca el líquido accidentalmente, enjuague con agua. Si hay contacto del líquido con los ojos, solicite atención médica. El líquido expulsado de la batería puede causar irritación o quemaduras.**

- No deseche la(s) batería(s) donde haya fuego.** La celda podría explotar. Consulte los códigos locales para ver si hay instrucciones especiales relativas al desecho.
- No abra ni dañe la(s) batería(s).** Los electrolitos liberados son corrosivos y pueden ocasionar daños en los ojos o la piel. Éstos pueden ser tóxicos si se llegan a tragar.
- No cargue la batería bajo la lluvia ni en lugares mojados.**

Puesta en marcha de la herramienta



- Asegúrese de que no haya niños ni otras personas en un rango de 15 metros (50 pies), y cuide también que no haya animales alrededor del área de trabajo.** En caso contrario, interrumpa la operación de la herramienta.
- Antes de usar la herramienta, revísela siempre para una operación segura.** Compruebe la seguridad del cabezal de corte de nailon y el protector, así como el gatillo interruptor/palanca para un accionamiento fácil y correcto. Revise que los mangos estén limpios y secos, y compruebe el funcionamiento del interruptor de encendido/apagado.
- Inspeccione las piezas dañadas antes de continuar usando la herramienta.** Si un protector u otra pieza están dañados, deberá revisarlos cuidadosamente para cerciorarse de que van a funcionar correctamente y realizar el trabajo para el que fueron diseñados. Verifique la alineación de las piezas móviles, la unión de las mismas, roturas de las piezas, la instalación y cualquier otra condición que pueda afectar su funcionamiento. Cualquier protector o pieza dañada deberá ser debidamente reparada o reemplazada por un centro de servicio autorizado, a menos que se indique de alguna otra forma en este manual.
- Encienda el motor sólo cuando tenga las manos y pies alejados del cabezal de corte de nailon.**
- Antes de poner en marcha la herramienta, asegúrese de que el cabezal de corte de nailon no esté haciendo contacto con objetos duros tales como ramas, piedras, etc., ya que éste empezará a girar una vez que la ponga en marcha.**
- Retire cualquier llave de ajuste, llave de apriete o cubierta de la cuchilla antes de encender la herramienta.** Cualquier accesorio que se deje puesto en una pieza giratoria de la herramienta eléctrica puede provocar lesiones personales.

- Asegúrese de que no haya cables eléctricos, tubos de agua, tubos de gas, etc. que pudieran representar un peligro en caso de ser dañados por el uso de la herramienta.**

Método de operación

- Use la herramienta sólo en condiciones de buena iluminación y visibilidad.** Durante la época de invierno, tenga cuidado con las áreas resbalosas o mojadas, así como con el hielo y la nieve (riesgo de resbalones). Siempre asegúrese de pisar suelo firme.
- Tenga cuidado con el cabezal de corte de nailon para evitar lesiones en pies y manos.**
- Nunca haga cortes por encima de la altura de su cintura.**
- Nunca se coloque sobre una escalera para poner en marcha la herramienta.**
- Nunca se suba a árboles para realizar una operación de corte con la herramienta.**
- Nunca trabaje sobre superficies inestables.**
- Retire la arena, piedras, clavos, etc. que encuentre en el área de trabajo.** Las partículas extrañas podrían dañar el cabezal de corte de nailon.
- Si el cabezal de corte de nailon llega a golpear piedras u otros objetos duros, apague inmediatamente el motor e inspeccione el cabezal de corte de nailon.**
- Antes de comenzar a cortar, el cabezal de corte de nailon deberá alcanzar su velocidad de trabajo completa.**
- Durante la operación, siempre sostenga la herramienta con ambas manos.** Nunca sostenga la herramienta con una mano durante el uso. Siempre asegúrese de pisar suelo firme.
- El cabezal de corte de nailon debe estar equipado con su protector.** ¡Nunca ponga en marcha la herramienta con un protector dañado o que no esté colocado en su lugar!
- Todo el equipo de protección deberá utilizarse durante la operación, tal como los protectores suministrados con la desbrozadora.**
- Salvo en caso de emergencia, nunca deje caer ni arroje la herramienta al suelo ya que podría dañarse severamente.**
- Nunca arrastre la herramienta por el suelo al moverla de un lugar a otro, ya que esto podría dañarla.**
- Siempre retire el cartucho de batería de la herramienta:**
 - cada vez que la vaya a dejar desatendida;
 - antes de despejar una obstrucción;
 - antes de revisar, limpiar o trabajar en la herramienta;
 - cada vez que la herramienta comience a vibrar de manera anormal;
 - cada vez que vaya a transportar la herramienta.
- Asegúrese siempre de que las aberturas de ventilación estén libres de residuos.**
- Los elementos de corte continúan girando una vez que el motor se haya apagado.**
- No utilice las herramientas eléctricas en atmósferas explosivas, tal como en la presencia de líquidos, gases o polvo inflamables.** Las herramientas eléctricas crean chispas que pueden prender fuego al polvo o los humos.

19. **Tome un descanso para evitar la pérdida de control a causa de la fatiga.** Recomendamos tomar de 10 minutos a 20 minutos de descanso cada hora.
20. **Sujete la herramienta solamente por las superficies de asimiento aisladas, ya que la cuchilla de corte podría entrar en contacto con cableado oculto.** Las cuchillas de corte que entren en contacto con un cable con corriente podrán hacer que la corriente circule por las partes metálicas expuestas de la herramienta eléctrica pudiendo ocasionar una descarga eléctrica al operador.
21. **No utilice la herramienta en pendientes inclinadas.**
22. **El arnés para hombro deberá ser usado durante la operación si es que éste es suministrado junto con la herramienta.**

Instrucciones de mantenimiento

1. **La condición del cabezal de corte de nailon, así como de los dispositivos de protección deberán ser revisados antes de iniciar la operación.**
2. **Apague el motor y quite el cartucho de batería antes de llevar a cabo operaciones de mantenimiento, reemplazo del cabezal de corte de nailon o del cordón de nailon y la limpieza de la herramienta.**
3. **Revise si hay sujetadores que estén sueltos o piezas dañadas, tal como grietas en el cabezal de corte de nailon.**
4. **Siga las instrucciones para la lubricación y el cambio de los accesorios si aplica para el caso.**
5. **Cuando no se utilice, almacene el equipo en un lugar seco en interiores que esté bajo llave o fuera del alcance de los niños.**
6. **Utilice solamente las piezas de repuesto y los accesorios recomendados por el fabricante.**
7. **Inspeccione y dé mantenimiento a la herramienta de manera regular, especialmente antes y después del uso. Lleve la herramienta a reparación sólo a nuestro centro de servicio autorizado.**
8. **Mantenga los mangos secos, limpios, y libres de aceite y grasa.**

GUARDE ESTAS INSTRUCCIONES.

⚠ADVERTENCIA: NO DEJE que la comodidad o familiaridad con el producto (a base de utilizarlo repetidamente) sustituya la estricta observancia de las normas de seguridad para dicho producto. El MAL USO o el no seguir las normas de seguridad establecidas en este manual de instrucciones puede ocasionar lesiones personales graves.

⚠ADVERTENCIA: El uso de este producto puede producir polvo que contenga sustancias químicas que podrían causar enfermedades respiratorias o de otro tipo. Algunos ejemplos de estas sustancias químicas son los compuestos encontrados en pesticidas, insecticidas, fertilizantes y herbicidas.

El riesgo al que se expone varía, dependiendo de la frecuencia con la que realice este tipo de trabajo. Para reducir la exposición a estas sustancias químicas: trabaje en un área bien ventilada y use un equipo de seguridad aprobado, tal como las máscaras contra polvo que están especialmente diseñadas para filtrar partículas microscópicas.

Símbolos

A continuación se muestran los símbolos utilizados para la herramienta.

V	volts o voltios
— ---	corriente directa o continua
n _o	velocidad sin carga
.../min r/min	revoluciones o alternaciones por minuto, frecuencia de rotación

Instrucciones importantes de seguridad para el cartucho de batería

1. **Antes de utilizar el cartucho de batería, lea todas las instrucciones e indicaciones de precaución en el (1) el cargador de batería, (2) la batería, y (3) el producto con el que se utiliza la batería.**
2. **No desarme el cartucho de batería.**
3. **Si el tiempo de operación se ha acortado en exceso, deje de operar de inmediato. Podría correrse el riesgo de sobrecalentamiento, posibles quemaduras e incluso explosión.**
4. **En caso de que ingresen electrolitos en sus ojos, enjuáguelos bien con agua limpia y consulte de inmediato a un médico. Esto podría ocasionar pérdida de visión.**
5. **Evite cortocircuitar el cartucho de batería:**
 - (1) **No toque las terminales con ningún material conductor.**
 - (2) **Evite guardar el cartucho de batería en un cajón junto con otros objetos metálicos, tales como clavos, monedas, etc.**
 - (3) **No exponga el cartucho de batería al agua o la lluvia.**

Un cortocircuito en la batería puede causar un flujo grande de corriente, sobrecalentamiento, posibles quemaduras e incluso una descompostura.
6. **No guarde la herramienta ni el cartucho de batería en lugares donde la temperatura pueda alcanzar o exceder los 50°C (122°F).**
7. **Nunca incinere el cartucho de batería incluso en el caso de que esté dañado seriamente o ya no sirva en absoluto. El cartucho de batería puede explotar si se tira al fuego.**

8. **Tenga cuidado de no dejar caer ni golpear la batería.**
9. **No use una batería dañada.**
10. **Las baterías de ión de litio están sujetas a los requisitos reglamentarios en materia de bienes peligrosos.**

Para el transporte comercial, por ej., mediante terceros o agentes de transporte, se deben tomar en cuenta los requisitos especiales relativos al empaque y el etiquetado.

Para efectuar los preparativos del artículo que se va a enviar, se requiere consultar a un experto en materiales peligrosos. Si es posible, consulte además otras regulaciones nacionales más detalladas.

Pegue o cubra con cinta adhesiva los contactos abiertos y empaque la batería de manera que ésta no pueda moverse dentro del paquete.

11. **Siga las regulaciones locales relacionadas al desecho de las baterías.**
12. **Utilice las baterías únicamente con los productos especificados por Makita.** Instalar las baterías en productos que no cumplan con los requisitos podría ocasionar un incendio, un calentamiento excesivo, una explosión o una fuga de electrolito.

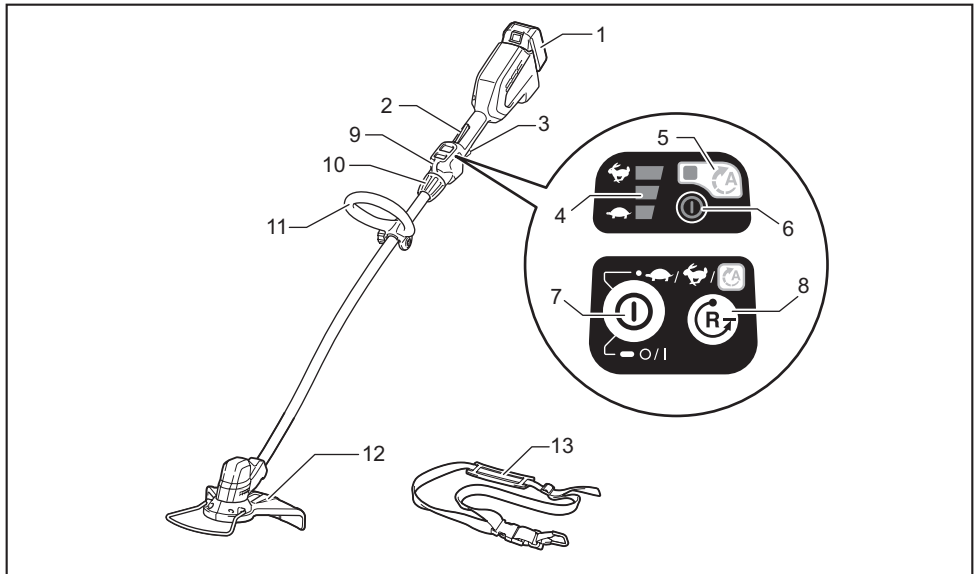
GUARDE ESTAS INSTRUCCIONES.

⚠️ PRECAUCIÓN: Utilice únicamente baterías originales de Makita. El uso de baterías no originales de Makita, o de baterías alteradas, puede ocasionar que las baterías exploten causando un incendio, lesiones personales y daños. Asimismo, esto invalidará la garantía de Makita para la herramienta y el cargador Makita.

Consejos para alargar al máximo la vida útil de la batería

1. **Cargue el cartucho de batería antes de que se descargue completamente. Pare siempre la operación y cargue el cartucho de batería cuando note menos potencia en la herramienta.**
2. **No cargue nunca un cartucho de batería que esté completamente cargado. La sobrecarga acortará la vida de servicio de la batería.**
3. **Cargue el cartucho de batería a una temperatura ambiente de 10 °C - 40 °C (50 °F - 104 °F). Si un cartucho de batería está caliente, déjelo enfriar antes de cargarlo.**
4. **Cargue el cartucho de batería si no va a utilizarlo durante un período prolongado (más de seis meses).**

DESCRIPCIÓN DE LAS PIEZAS



1	Cartucho de batería	2	Palanca de desbloqueo	3	Gatillo interruptor	4	Indicador de velocidad
5	Indicador de control de velocidad automático	6	Luz de alimentación	7	Botón de encendido principal	8	Botón de inversión
9	Colgador	10	Manguito de bloqueo	11	Mango	12	Protector (protección de la herramienta de corte)
13	Arnés para hombro	-	-	-	-	-	-

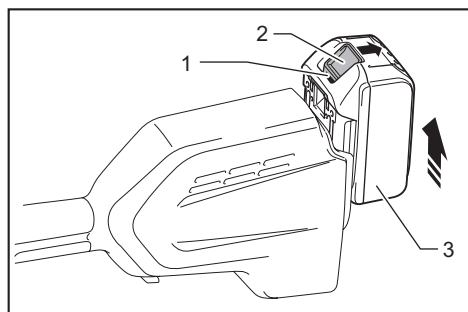
DESCRIPCIÓN DEL FUNCIONAMIENTO

⚠ADVERTENCIA: Asegúrese siempre de que la herramienta esté apagada y que el cartucho de batería haya sido extraído antes de realizar cualquier ajuste o revisión del funcionamiento de la herramienta. El no seguir esta indicación de apagar y quitar el cartucho de batería puede ocasionar lesiones personales graves debido al encendido accidental.

Instalación o extracción del cartucho de batería

⚠PRECAUCIÓN: Apague siempre la herramienta antes de colocar o quitar el cartucho de batería.

⚠PRECAUCIÓN: Sujete la herramienta y el cartucho de la batería con firmeza al colocar o quitar el cartucho de batería. Si no se sujeta con firmeza la herramienta y el cartucho de batería, puede ocasionar que se resbalen de sus manos causando daños a la herramienta y al cartucho de batería, así como lesiones a la persona.



► 1. Indicador rojo 2. Botón 3. Cartucho de batería

Para quitar el cartucho de batería, deslícelo de la herramienta mientras desliza el botón sobre la parte delantera del cartucho.

Para colocar el cartucho de batería, alinee la lengüeta sobre el cartucho de batería con la ranura en la carcasa y deslice en su lugar. Inserte por completo hasta que se fije en su lugar con un pequeño clic. Si puede ver el indicador rojo del lado superior del botón, esto indica que no ha quedado fijo por completo.

⚠PRECAUCIÓN: Introduzca siempre completamente el cartucho de batería hasta que el indicador rojo no pueda verse. Si no, podría accidentalmente salirse de la herramienta y caer al suelo causando una lesión a usted o alguien a su alrededor.

⚠PRECAUCIÓN: No instale el cartucho de batería a la fuerza. Si el cartucho no se desliza al interior fácilmente, se debe a que no está siendo insertado correctamente.

Sistema de protección para la herramienta/batería

La herramienta está equipada con un sistema de protección de la herramienta/batería. Este sistema corta en forma automática el suministro de energía al motor para prolongar la vida útil de la herramienta y la batería. La herramienta se detendrá automáticamente durante la operación si la herramienta o la batería se someten a una de las siguientes condiciones:

Estado	Luces indicadoras		
	<input type="checkbox"/> Encendido	<input type="checkbox"/> Apagado	<input checked="" type="checkbox"/> Parpadeando
Sobrecarga			
Sobrecalentamiento			
Sobredescarga			

Protección contra sobrecarga

Si la herramienta se sobrecarga al enredarse maleza u otros residuos, los indicadores y el de en medio comenzarán a parpadear y la herramienta se detendrá automáticamente.

En este caso, apague la herramienta y detenga la aplicación que causó que la herramienta se sobrecargara. Luego encienda la herramienta para volver a ponerla en marcha.

Protección contra el sobrecalentamiento de la herramienta o la batería

Existen dos tipos de sobrecalentamiento: sobrecalentamiento de la herramienta y sobrecalentamiento de la batería. Cuando la herramienta se sobrecaliente, todos los indicadores de velocidad parpadearán. Cuando la batería se sobrecaliente, el indicador parpadeará. Cuando ocurra el sobrecalentamiento, la herramienta se detendrá automáticamente. Permita que la herramienta y/o la batería se enfríen antes de volver a encender la herramienta.

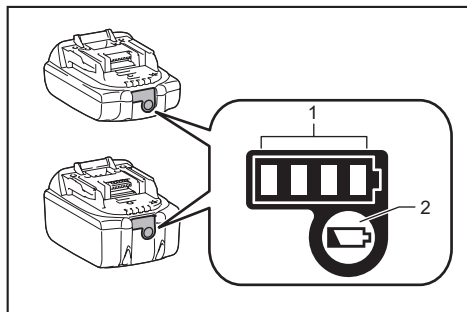
Protección en caso de sobredescarga

Cuando la capacidad de la batería sea baja, la herramienta se detendrá automáticamente y el indicador parpadeará.

Si la herramienta no funciona aun con los interruptores activados, retire las baterías de la herramienta y cárguelas.

Indicación de la capacidad restante de la batería

Únicamente para cartuchos de batería con el indicador



► 1. Luces indicadoras 2. Botón de verificación

Oprima el botón de verificación en el cartucho de la batería para que indique la capacidad restante de la batería. Las luces indicadoras se iluminarán por algunos segundos.

Luces indicadoras			Capacidad restante
Iluminadas	Apagadas	Parpadeando	
■ ■ ■ ■	□ □ □ □		75% a 100%
■ ■ ■ □	□ □ □ □		50% a 75%
■ ■ □ □	□ □ □ □		25% a 50%
■ □ □ □	□ □ □ □		0% a 25%
▬ □ □ □	□ □ □ □		Cargar la batería.
■ ■ □ □	□ □ □ □		La batería pudo haber funcionado mal.
□ □ ■ ■	□ □ □ □	↑ ↓	

NOTA: Dependiendo de las condiciones de uso y la temperatura ambiente, la indicación podrá diferir ligeramente de la capacidad real.

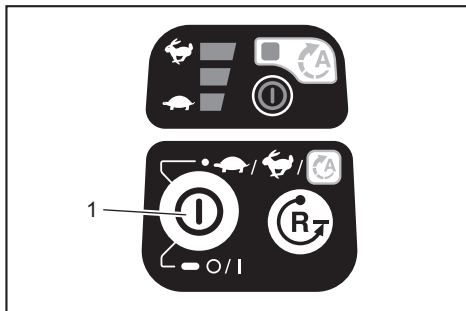
Accionamiento del interruptor de encendido

ADVERTENCIA: Antes de colocar el cartucho de batería en la herramienta, compruebe siempre que el gatillo interruptor se acciona debidamente y que regrese a la posición de apagado (OFF) cuando lo suelte. Usar una herramienta con un interruptor que no funciona adecuadamente puede resultar en pérdida del control ocasionando graves lesiones a la persona.

PRECAUCIÓN: Nunca coloque su dedo en el interruptor cuando transporte la herramienta. La herramienta podría ponerse en marcha accidentalmente y ocasionar una lesión.

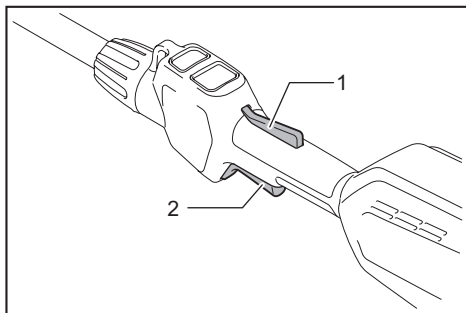
Para encender la herramienta, mantenga oprimido el botón de encendido principal durante algunos segundos.

Para apagar la herramienta, mantenga oprimido el botón de encendido principal nuevamente.



► 1. Botón de encendido principal

Para evitar que el gatillo interruptor sea jalado accidentalmente, se proporciona una palanca de desbloqueo. Para arrancar la herramienta, sujete el mango (la palanca de desbloqueo es liberada al sujetarlo) y luego jale el gatillo interruptor. Para detener la herramienta, suelte el gatillo interruptor.



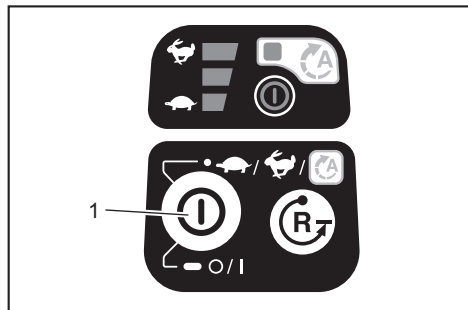
► 1. Palanca de desbloqueo 2. Gatillo interruptor

NOTA: La herramienta se apaga automáticamente al haber transcurrido un minuto sin usarla.

Ajuste de velocidad

Puede ajustar la velocidad de la herramienta pulsando el botón de encendido principal.

Cada vez que toque el botón de encendido principal, el nivel de velocidad cambiará.



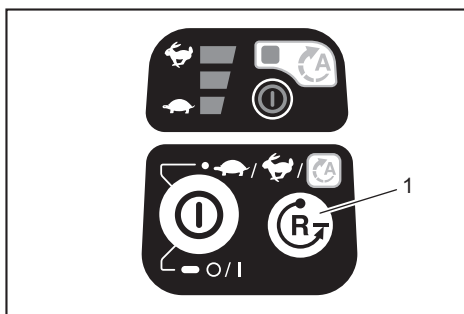
► 1. Botón de encendido principal

Indicador	Modo	Velocidad de rotación
	Automático	4 000 - 6 000 r/min
	Alto	6 000 r/min
	Medio	5 000 r/min
	Bajo	4 000 r/min

Botón de inversión para la eliminación de residuos

⚠ ADVERTENCIA: Apague la herramienta y retire el cartucho de batería antes de quitar la maleza o residuos que se hayan enredado y que no se puedan quitar con la función de rotación inversa. El no seguir esta indicación de apagar y quitar el cartucho de batería puede ocasionar lesiones personales graves debido al encendido accidental.

Esta herramienta cuenta con un botón de inversión para cambiar la dirección de rotación. Su única función es la de eliminar la maleza y residuos enredados en la herramienta. Para invertir la rotación, pulse el botón de inversión y jale el gatillo cuando el cabezal de la herramienta se haya detenido. La luz de alimentación comenzará a parpadear y el cabezal de la herramienta girará en dirección inversa al jalar el gatillo interruptor. Para regresar a la rotación normal, suelte el gatillo y espere hasta que el cabezal de la herramienta se detenga.



► 1. Botón de inversión

NOTA: Durante la rotación inversa, la herramienta sólo funcionará durante un breve lapso de tiempo y luego se detendrá automáticamente.

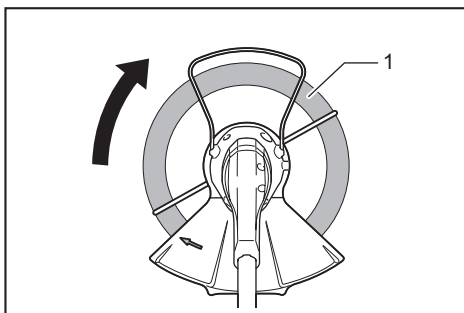
NOTA: Una vez que se haya detenido la herramienta, la rotación regresará a la dirección normal cuando ponga nuevamente en marcha la herramienta.

NOTA: Si pulsa el botón de inversión mientras el cabezal de la herramienta está girando, la herramienta se detendrá y se preparará para la rotación inversa.

Cabezal de corte de nailon

Accesorio opcional

AVISO: La alimentación por golpe no funcionará correctamente si el cabezal no se encuentra girando.



► 1. Área de corte más eficaz

El cabezal de corte de nailon es una cabeza de desbrozadora dual con un mecanismo de golpe y alimentación.

Para alimentar el cordón de nailon, golpee ligeramente el cabezal contra el suelo mientras esté girando.

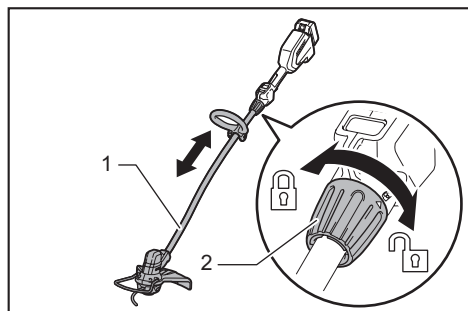
NOTA: Si la alimentación del cordón de nailon no ocurre al golpear ligeramente el cabezal, rebobine/reemplace el cordón de nailon siguiendo los procedimientos descritos en la sección "Mantenimiento".

Ajuste de la longitud del eje

⚠ADVERTENCIA: Antes de ajustar la longitud del eje, suelte el gatillo interruptor y retire el cartucho de batería de la herramienta. El no soltar el gatillo y retirar el cartucho de batería puede ocasionar lesiones personales.

⚠PRECAUCIÓN: Asegúrese de apretar el manguito de bloqueo antes de la operación. De lo contrario, la herramienta podría perder el control y ocasionar lesiones personales.

Para ajustar la longitud del eje, gire el manguito de bloqueo en sentido inverso al de las manecillas del reloj hasta que la marca de la flecha en el manguito de bloqueo muestre la marca de desbloqueo en la carcasa, y jale o empuje el eje hasta la longitud deseada. Después del ajuste, apriete el manguito de bloqueo hasta que la marca de la flecha en el manguito de bloqueo muestre la marca de bloqueo en la carcasa.



► 1. Eje 2. Manguito de bloqueo

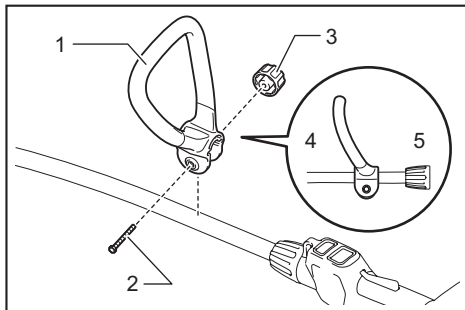
MONTAJE

⚠ADVERTENCIA: Asegúrese siempre de que la herramienta esté apagada y que el cartucho de batería haya sido extraído antes de realizar cualquier trabajo en la herramienta. El no seguir esta indicación de apagar y quitar el cartucho de batería puede ocasionar lesiones personales graves debido al encendido accidental.

⚠ADVERTENCIA: Nunca arranque la herramienta a menos que se encuentre completamente ensamblada. La operación de la herramienta en un estado de ensamble parcial puede ocasionar lesiones personales graves en caso de un arranque accidental.

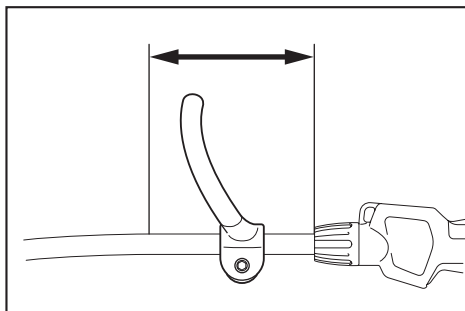
Instalación del mango

Coloque el mango en el eje y asegúrelo con el perno y la perilla.



► 1. Mango 2. Perno 3. Perilla 4. Lado de la herramienta de corte 5. Lado del cartucho de batería

Asegúrese de que el mango esté colocado en el área recta del eje tal como se muestra en la ilustración.

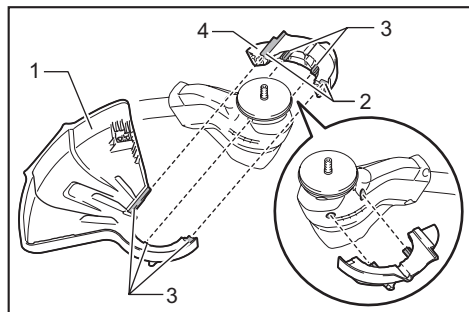


Instalación del protector

⚠ADVERTENCIA: Nunca utilice la herramienta sin el protector ilustrado en su lugar. El no seguir esta indicación podría causar lesiones personales graves.

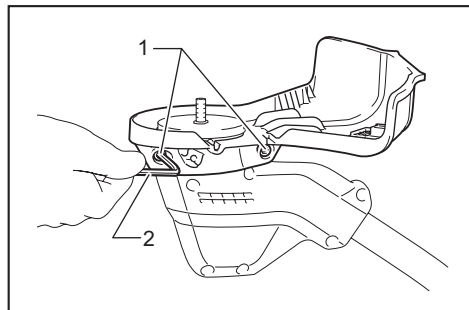
⚠PRECAUCIÓN: Tenga cuidado de no lastimarse con la cortadora al cortar el cordón de nailon.

1. Fije el protector y el sujetador del protector en la carcasa del motor tal como se muestra en la ilustración. Asegúrese de que las protuberancias y ranuras encajen con sus partes correspondientes.



► 1. Protector 2. Ranura 3. Protuberancia
4. Sujetador del protector

2. Apriete firmemente los pernos de cabeza hueca hexagonal para asegurar el protector y el sujetador del protector.



► 1. Perno de cabeza hueca hexagonal 2. Llave hexagonal

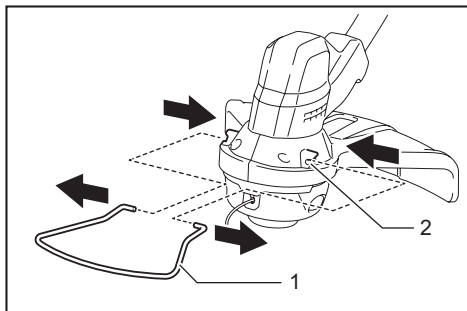
Instalación del protector de alambre

⚠PRECAUCIÓN: Antes de ajustar el protector de alambre, espere a que el cabezal de corte se detenga por completo. No ajuste el protector de alambre con su pie.



Para reducir el riesgo de daños a objetos en frente del cabezal de corte, inserte el protector de alambre de tal forma que se controle el rango de corte de la línea de podado.

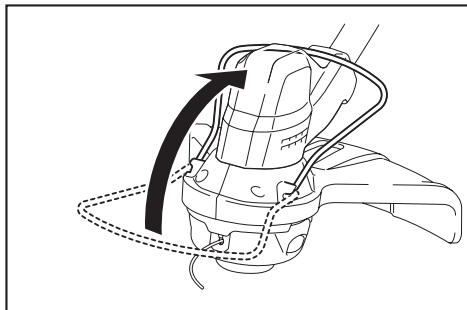
Extienda ligeramente hacia afuera el protector de alambre y luego insértelo en los orificios del protector.



► 1. Protector de alambre 2. Orificio (a ambos lados)

AVISO: No extienda demasiado hacia afuera el protector de alambre. De lo contrario, éste podría romperse.

Cuando no se esté usando el protector de alambre, levántelo para que quede en la posición inactiva.



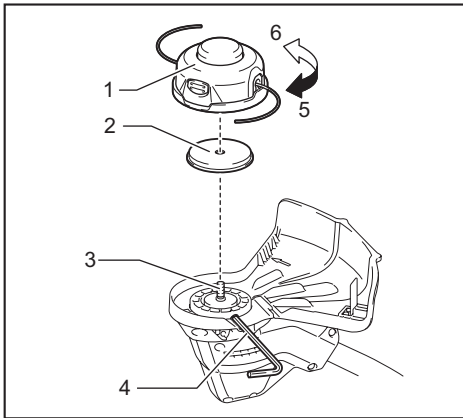
Instalación del cabezal de corte de nailon

Accesorio opcional

⚠PRECAUCIÓN: Si durante la operación el cabezal de corte de nailon se impacta accidentalmente contra alguna piedra u objeto duro, detenga la herramienta y revise que no haya daños. Si el cabezal de corte de nailon se daña, reemplácelo de inmediato. El uso de una herramienta de corte dañada podría ocasionar lesiones personales graves.

⚠PRECAUCIÓN: Asegúrese de retirar la llave hexagonal después de la instalación.

AVISO: Asegúrese de utilizar un cabezal de corte de nailon original de Makita.



- 1. Cabezal de corte de nailon 2. Protector metálico
3. Eje 4. Llave hexagonal 5. Apretar 6. Aflojar

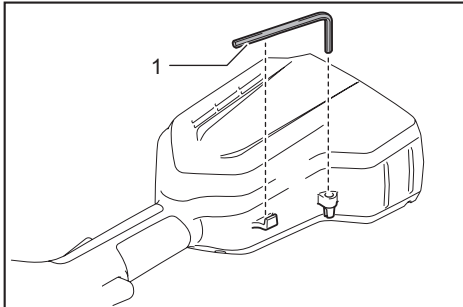
1. Voltee la herramienta al revés para que pueda reemplazar fácilmente la herramienta de corte.
2. Inserte la llave hexagonal a través del orificio en la carcasa del motor y gire el eje hasta que éste quede asegurado.
3. Coloque el cabezal de corte de nailon directamente en el eje con rosca y apriételo girándolo en la dirección de apriete tal como se muestra en la ilustración.
4. Retire la llave hexagonal.

Para extraer el cabezal de corte de nailon, gírelo en la dirección opuesta mientras bloquea el eje con la llave hexagonal.

Almacenamiento de la llave Allen (hexagonal)

PRECAUCIÓN: Tenga cuidado de no dejar la llave hexagonal insertada en el cabezal de la herramienta. Esto podría ocasionar lesiones y/o daños a la herramienta.

Cuando no se utilice, guarde la llave hexagonal en su lugar tal como se muestra en la ilustración para evitar que se pierda.



- 1. Llave Allen (hexagonal)

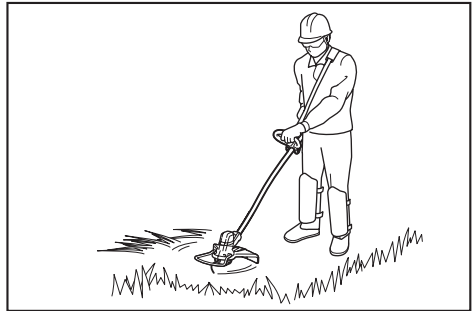
OPERACIÓN

Manipulación correcta de la herramienta

ADVERTENCIA: Siempre coloque la herramienta de su lado derecho. El correcto posicionamiento de la herramienta permite un máximo control y reducirá el riesgo de lesiones personales graves a causa de un retroceso brusco.

ADVERTENCIA: Sea extremadamente cuidadoso en mantener el control de la herramienta en todo momento. No permita que la herramienta se desvía hacia usted ni hacia otra persona alrededor. El no mantener el control de la herramienta podría ocasionar lesiones graves a las personas alrededor y al operador.

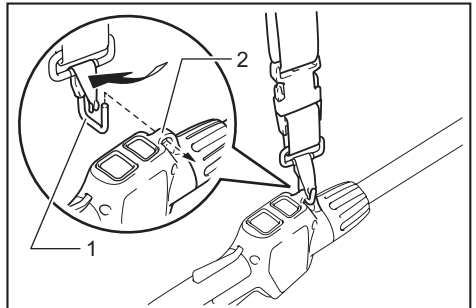
ADVERTENCIA: Cuando dos o más operadores se encuentren trabajando en una misma área, la distancia entre ellos deberá ser de más de 15 m (50 pies) para evitar un accidente. Asimismo, designe a una persona para verificar que se mantenga la distancia entre los operadores. Si alguna persona o animal llega a ingresar al área de trabajo, detenga la operación inmediatamente.



Colocación del arnés para hombro

PRECAUCIÓN: Siempre lleve puesto el arnés para hombro. Antes de la operación, ajuste el arnés para hombro de acuerdo al tamaño del usuario para evitar la fatiga.

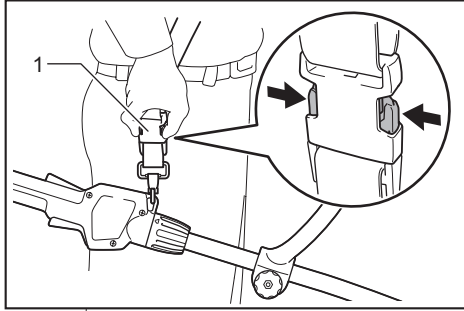
Enganche el broche del arnés para hombro a la pieza del colgador en la carcasa. Colóquese el arnés para hombro. Asegúrese de que las hebillas queden bien aseguradas en su lugar.



- 1. Broche 2. Colgador

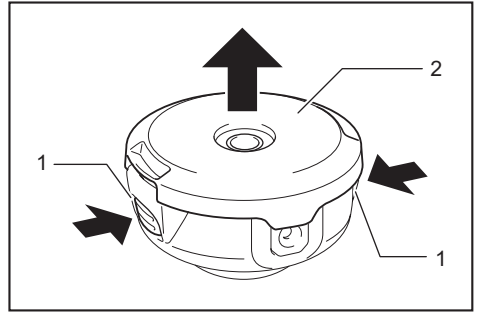
Desprendimiento

La hebilla se proporciona con un medio de liberación rápida. Simplemente apriete los lados de la hebilla y ésta se desprenderá de la herramienta.



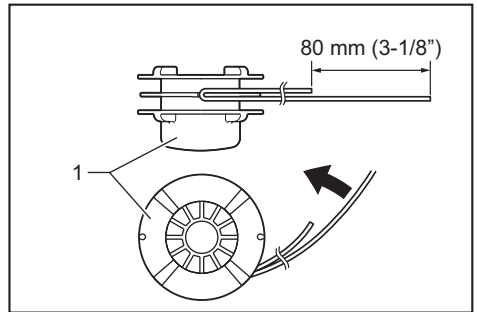
► 1. Hebilla

1. Presione los pestillos de la carcasa hacia adentro para levantar la cubierta y luego retire el carrete.



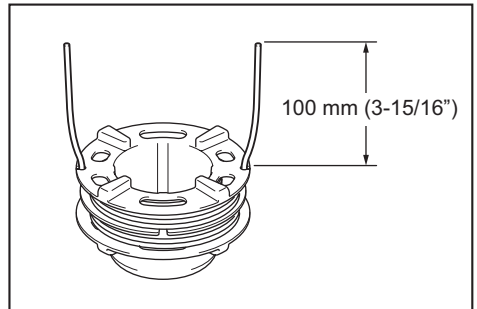
► 1. Pestillo 2. Cubierta

2. Prepare aproximadamente 3 m (9 ft) de cordón de nailon nuevo. Pliegue el cordón de nailon nuevo dejando un extremo aproximadamente 80 mm (3-1/8") más largo que el otro. Luego ensarte el cordón de nailon nuevo en la muesca en el centro del carrete. Enrolle ambos extremos firmemente alrededor del carrete en la dirección de rotación del cabezal (dirección derecha indicada con RH en el costado del carrete).



► 1. Carrete

3. Enrolle todo excepto unos 100 mm (3-15/16") de los cordones, dejando los extremos temporalmente ensartados a través de la muesca en el costado del carrete.



MANTENIMIENTO

⚠ ADVERTENCIA: Asegúrese siempre de que la herramienta esté apagada y que el cartucho de batería haya sido extraído antes de intentar realizar una inspección o mantenimiento en la herramienta. El no seguir esta indicación de apagar y quitar el cartucho de batería puede ocasionar lesiones personales graves debido al encendido accidental.

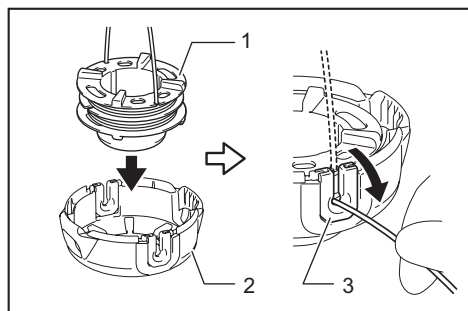
AVISO: Nunca use gasolina, bencina, diluyente (tíner), alcohol o sustancias similares. Puede que esto ocasione grietas o descoloramiento.

Reemplazo del cordón de nailon

⚠ ADVERTENCIA: Utilice el cordón de nailon únicamente con el diámetro especificado en la sección "ESPECIFICACIONES". Nunca use una línea más pesada, alambre de metal, cuerda o similares. Utilice únicamente el cordón de nailon recomendado; el no hacerlo podría ocasionar daños a la herramienta y lesiones personales graves.

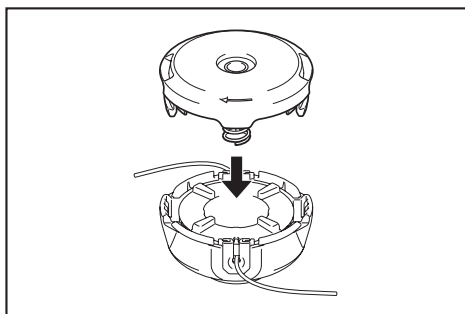
⚠ ADVERTENCIA: Asegúrese de que la cubierta del cabezal de corte de nailon quede debidamente asegurada en la carcasa tal como se describe a continuación. El no asegurar debidamente la cubierta podría causar que el cabezal de corte de nailon saliera volando ocasionando lesiones personales graves.

4. Ensamble el carrete en la carcasa de tal forma que las ranuras y protuberancias en el carrete encajen con aquellas en la carcasa. Mantenga visible el lado con letras del carrete en la parte superior. Ahora, desensarte los extremos del cordón de su posición temporal e introduzca los cordones a través de los ojales para que salgan de la carcasa.



► 1. Carrete 2. Carcasa 3. Ojal

5. Alinee la protuberancia sobre el lado inferior de la cubierta con las ranuras de los ojales. Luego empuje la cubierta con firmeza en la carcasa para fijarla.



Para mantener la **SEGURIDAD** y **FIABILIDAD** del producto, las reparaciones, y cualquier otra tarea de mantenimiento o ajuste deberán ser realizadas en centros de servicio autorizados o de fábrica Makita, empleando siempre repuestos Makita.

RESOLUCIÓN DE PROBLEMAS

Antes de solicitar alguna reparación, primero realice una inspección por su cuenta. Si detecta algún problema que no esté explicado en el manual, no intente desensamblar la herramienta. En vez de esto, solicite la reparación a un centro de servicio autorizado de Makita, usando siempre piezas de repuesto Makita.

Estado de la anomalía	Causa probable (avería)	Remedio
El motor no funciona.	El cartucho de batería no está instalado.	Instale el cartucho de batería.
	Problema con la batería (bajo voltaje)	Recargue la batería. Si la recarga no es efectiva, reemplace la batería.
	El sistema de accionamiento no funciona correctamente.	Solicite la reparación en el centro de servicio autorizado de su localidad.
El motor deja de funcionar después de un rato de uso.	El nivel de carga de la batería es bajo.	Recargue la batería. Si la recarga no es efectiva, reemplace la batería.
	Sobrecalentamiento.	Deje de usar la herramienta para permitir que se enfríe.
No se alcanza el nivel máximo de RPM.	La batería está mal instalada.	Instale el cartucho de batería como se describe en este manual.
	La potencia de la batería se está reduciendo.	Recargue la batería. Si la recarga no es efectiva, reemplace la batería.
	El sistema de accionamiento no funciona correctamente.	Solicite la reparación en el centro de servicio autorizado de su localidad.
La herramienta de corte no gira: ⇒ ¡Detenga la máquina inmediatamente!	Un objeto extraño, como una rama, está atascado entre el protector y la herramienta de corte.	Retire el objeto extraño.
	El sistema de accionamiento no funciona correctamente.	Solicite la reparación en el centro de servicio autorizado de su localidad.
Vibración anormal: ⇒ ¡Detenga la máquina inmediatamente!	Un extremo del cordón de nailon se ha roto.	Golpee el cabezal de corte de nailon contra el suelo mientras esté girando para permitir la alimentación del cordón.
	El sistema de accionamiento no funciona correctamente.	Solicite la reparación en el centro de servicio autorizado de su localidad.
La herramienta de corte y el motor no se pueden detener: ⇒ ¡Extraiga la batería inmediatamente!	Avería eléctrica o electrónica.	Extraiga la batería y solicite la reparación en el centro de servicio autorizado de su localidad.

ACCESORIOS OPCIONALES

⚠ADVERTENCIA: No instale una cuchilla metálica en esta herramienta y sólo use los accesorios o aditamentos recomendados que se indican en este manual. El uso de una cuchilla metálica o cualquier otro accesorio o aditamento puede ocasionar lesiones personales graves.

⚠PRECAUCIÓN: Estos accesorios o aditamentos están recomendados para utilizarse con su herramienta Makita especificada en este manual. El empleo de cualquier otro accesorio o aditamento puede conllevar el riesgo de lesiones personales. Utilice los accesorios o aditamentos solamente para su fin establecido.

Si necesita cualquier ayuda para más detalles en relación con estos accesorios, pregunte a su centro de servicio local Makita.

- Cabezal de corte de nailon
- Cordón de nailon (línea de corte)
- Batería y cargador originales de Makita

NOTA: Algunos de los artículos en la lista pueden incluirse en el paquete de la herramienta como accesorios estándar. Éstos pueden variar de país a país.

GARANTÍA LIMITADA DE MAKITA

Ésta Garantía no aplica para México

Consulte la hoja de la garantía anexa para ver los términos más vigentes de la garantía aplicable a este producto. En caso de no disponer de esta hoja de garantía anexa, consulte los detalles sobre la garantía descritos en el sitio web de su país respectivo indicado a continuación.

Estados Unidos de América: www.makitatools.com

Canadá: www.makita.ca

Otros países: www.makita.com

Makita Corporation
3-11-8, Sumiyoshi-cho,
Anjo, Aichi 446-8502 Japan
www.makita.com

885634A945 XRU13-1 EN, ESMX 20171106
