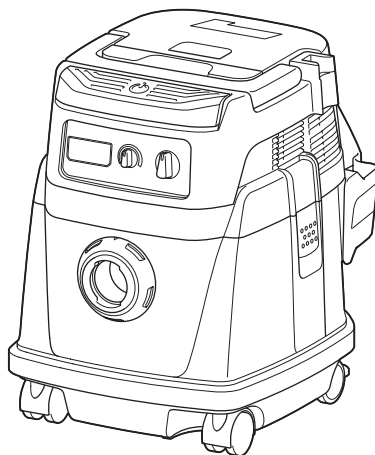


**INSTRUCTION MANUAL
MANUAL DE INSTRUCCIONES**



Cordless Vacuum Cleaner Aspiradora Inalámbrica

**XCV14
XCV15
XCV16**



IMPORTANT: Read Before Using.
IMPORTANTE: Lea antes de usar.

SPECIFICATIONS

Model:		XCV14	XCV15	XCV16
Standard filter type		Cloth filter (for dry and wet dust)	Powder filter (for dry dust)	
Maximum air volume (with BL1850B, ø38 mm (1-1/2") x 2.5 m (98-1/2") hose)		2.1 m ³ /min (74 cu.ft./min)		
Vacuum (with BL1850B, ø38 mm (1-1/2") x 2.5 m (98-1/2") hose)		9.8 kPa		
Recoverable capacity	Dust	15 L (4.0 gal.)		
	Water	12 L (3.2 gal.)	-	
Dimensions (L x W x H)		366 mm x 334 mm x 421 mm (14-3/8" x 13-1/8" x 16-1/2")		
Rated voltage		D.C. 36 V		
Net weight		7.3 - 7.9 kg (16.0 - 17.4 lbs)	8.0 - 8.6 kg (17.6 - 19.0 lbs)	
Bluetooth® version		-		4.1 (Bluetooth low energy)
Frequency band		-		2,402 - 2,480 MHz
Maximum radio-frequency power		-		1.0 dBm (EIRP)
Transmission range		-		Approximately 10 m

- Due to our continuing program of research and development, the specifications herein are subject to change without notice.
- Specifications and battery cartridge may differ from country to country.
- The weight does not include accessories but battery cartridge(s). The lightest and heaviest combination weight of the appliance and battery cartridge(s) are shown in the table.
- For wet dust, the float and the water filter or cloth filter are required.



The Bluetooth® word mark and logos are registered trademarks owned by the Bluetooth SIG, Inc. and any use of such marks by Makita is under license. Other trademarks and trade names are those of their respective owners.

Applicable battery cartridge and charger

Battery cartridge	BL1815N / BL1820B / BL1830 / BL1830B / BL1840B / BL1850B / BL1860B
Charger	DC18RC / DC18RD / DC18RE / DC18SD / DC18SE / DC18SF

- Some of the battery cartridges and chargers listed above may not be available depending on your region of residence.

⚠ WARNING: Only use the battery cartridges and chargers listed above. Use of any other battery cartridges and chargers may cause injury and/or fire.

SAFETY WARNINGS

IMPORTANT SAFETY INSTRUCTIONS

When using an electrical appliance, basic precautions should always be followed, including the following:

READ ALL INSTRUCTIONS BEFORE USING THIS APPLIANCE.

WARNING

To reduce the risk of fire, electric shock or injury:

1. Do not leave appliance when battery fitted. Remove battery from appliance when not in use and before servicing.
 2. Do not allow to be used as a toy. Close attention is necessary when used by or near children.
 3. Use only as described in this manual. Use only manufacturer's recommended attachments.
 4. Do not use with damaged battery. If appliance is not working as it should, has been dropped, damaged, left outdoors, or dropped into water, return it to a service center.
 5. Do not handle battery or appliance with wet hands.
 6. Do not put any object into openings. Do not use with any opening blocked; keep free of dust, lint, hair, and anything that may reduce air flow.
 7. Keep hair, loose clothing, fingers, and all parts of body away from openings and moving parts.
 8. Turn off all controls before removing the battery cartridge.
 9. Use extra care when cleaning on stairs.
 10. Do not use to pick up flammable or combustible liquids, such as gasoline, or use in areas where they may be present.
 11. Use only the charger supplied by the manufacturer to recharge.
 12. Do not pick up anything that is burning or smoking, such as cigarettes, matches, or hot ashes.
 13. Do not use without filters in place. Replace a damaged filter immediately.
 14. Do not charge the battery outdoors.
 15. (For the powder filter models.) Do not use on wet surfaces. Do not expose to rain. Store indoors.
 16. (For the cloth filter models.) Do not expose to rain. Store indoors.
 17. Always install float before any wet pick-up operation.
18. Do not use the cleaner as a stool or work bench. The machine may fall down and may result in personal injury.
 19. Do not vacuum the following:
 - Flammable liquid (kerosene, gasoline, solvents such as benzene, thinner, etc.)
 - Hot substances that are burning or smoking (cigarettes, matches, incense sticks, candles, hot ashes), sparks and metal dust generated by cutting or grinding metal, etc.
 - Flammable material (toner, paint, spray, etc.)
 - Foam like carpet cleaning agent, etc. (they may cause explosion or fire)
 - Explosive or pyrophoric substances (nitroglycerin, aluminum, magnesium, titanium, zinc, red phosphorus, yellow phosphorus, celluloid, etc. and their dust, gas or steam)
 - Sharp objects (glass, cutlery, wood splinter, metal, stone, nail, razor, push pin, etc.)
 - Solidifying and conductive fine powder (metal or carbon powder)
 - Dehumidifier
 - Large amount of powder (flour, fire extinguisher powder, etc.)
 - Substances that cause toxic symptoms
 - Aggressive chemicals (acid, bleach, etc.)
 - Liquid or damp garbage, including vomit and excreta
 - Asbestos
 - Pesticides

Such action may cause fire, injury and/or property damage.

To reduce your exposure to these chemicals, always wear approved respiratory protection such as dust masks that are specially designed to filter out microscopic particles. Direct the exhaust air away from your face and body.

NOTE: Read the OSHA regulation on silica dust to understand the requirements needed to reduce exposure to silica dust at the jobsite. Specific rules apply to the drilling, demolition cutting and grinding materials that contain silica. All OSHA requirements regarding reducing silica dust can be found at the OSHA website: www.osha.gov.

Battery tool use and care

1. **Prevent unintentional starting. Ensure the switch is in the off-position before connecting to battery pack, picking up or carrying the appliance.** Carrying the appliance with your finger on the switch or energizing appliance that have the switch on invites accidents.
2. **Disconnect the battery pack from the appliance before making any adjustments, changing accessories, or storing appliance.** Such preventive safety measures reduce the risk of starting the appliance accidentally.
3. **Recharge only with the charger specified by the manufacturer.** A charger that is suitable for one type of battery pack may create a risk of fire when used with another battery pack.
4. **Use appliances only with specifically designated battery packs.** Use of any other battery packs may create a risk of injury and fire.
5. **When battery pack is not in use, keep it away from other metal objects, like paper clips, coins, keys, nails, screws or other small metal objects, that can make a connection from one terminal to another.** Shorting the battery terminals together may cause burns or a fire.
6. **Under abusive conditions, liquid may be ejected from the battery; avoid contact. If contact accidentally occurs, flush with water. If liquid contacts eyes, additionally seek medical help.** Liquid ejected from the battery may cause irritation or burns.
7. **Do not use a battery pack or appliance that is damaged or modified. Damaged or modified batteries may exhibit unpredictable behaviour resulting in fire, explosion or risk of injury.**




8. **Do not expose a battery pack or appliance to fire or excessive temperature. Exposure to fire or temperature above 130 °C may cause explosion.**
9. **Follow all charging instructions and do not charge the battery pack or appliance outside of the temperature range specified in the instructions.** Charging improperly or at temperatures outside of the specified range may damage the battery and increase the risk of fire.
10. **Have servicing performed by a qualified repair person using only identical replacement parts.** This will ensure that the safety of the product is maintained.
11. **Do not modify or attempt to repair the appliance or the battery pack except as indicated in the instructions for use and care.**

SAVE THESE INSTRUCTIONS.

This appliance is intended for commercial use.

Symbols

The followings show the symbols used for tool.

v	volts
≡	direct current
	Take particular care and attention.
	Never stand on the cleaner.
~	alternating current
A	amperes
Hz	hertz
	Class II Construction

Important safety instructions for battery cartridge

1. Before using battery cartridge, read all instructions and cautionary markings on (1) battery charger, (2) battery, and (3) product using battery.
2. Do not disassemble battery cartridge.
3. If operating time has become excessively shorter, stop operating immediately. It may result in a risk of overheating, possible burns and even an explosion.
4. If electrolyte gets into your eyes, rinse them out with clear water and seek medical attention right away. It may result in loss of your eyesight.
5. Do not short the battery cartridge:
 - (1) Do not touch the terminals with any conductive material.
 - (2) Avoid storing battery cartridge in a container with other metal objects such as nails, coins, etc.
 - (3) Do not expose battery cartridge to water or rain.

A battery short can cause a large current flow, overheating, possible burns and even a breakdown.

6. Do not store the tool and battery cartridge in locations where the temperature may reach or exceed 50 °C (122 °F).
7. Do not incinerate the battery cartridge even if it is severely damaged or is completely worn out. The battery cartridge can explode in a fire.
8. Be careful not to drop or strike battery.
9. Do not use a damaged battery.
10. The contained lithium-ion batteries are subject to the Dangerous Goods Legislation requirements. For commercial transports e.g. by third parties, forwarding agents, special requirement on packaging and labeling must be observed.

For preparation of the item being shipped, consulting an expert for hazardous material is required. Please also observe possibly more detailed national regulations.

- Tape or mask off open contacts and pack up the battery in such a manner that it cannot move around in the packaging.
11. Follow your local regulations relating to disposal of battery.
 12. Use the batteries only with the products specified by Makita. Installing the batteries to non-compliant products may result in a fire, excessive heat, explosion, or leak of electrolyte.

SAVE THESE INSTRUCTIONS.

⚠ CAUTION: Only use genuine Makita batteries. Use of non-genuine Makita batteries, or batteries that have been altered, may result in the battery bursting causing fires, personal injury and damage. It will also void the Makita warranty for the Makita tool and charger.

Tips for maintaining maximum battery life

1. Charge the battery cartridge before completely discharged. Always stop tool operation and charge the battery cartridge when you notice less tool power.
2. Never recharge a fully charged battery cartridge. Overcharging shortens the battery service life.
3. Charge the battery cartridge with room temperature at 10 °C - 40 °C (50 °F - 104 °F). Let a hot battery cartridge cool down before charging it.
4. Charge the battery cartridge if you do not use it for a long period (more than six months).

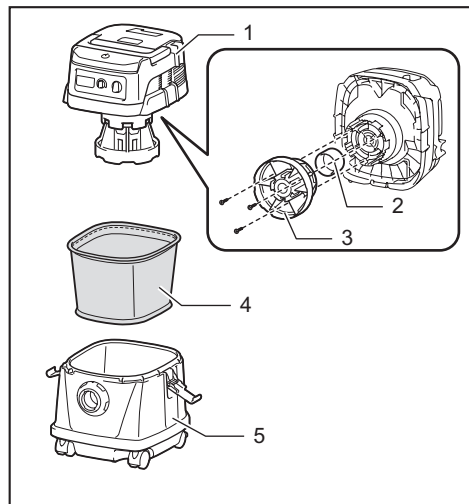
Important safety instructions for wireless unit

1. Do not disassemble or tamper with the cleaner. The wireless unit in the cleaner cannot be removed.
2. Do not operate the wireless activation function in places where medical instruments, heart pace makers, or automated devices, such as automatic doors and fire alarms, are nearby.
3. Do not use the cleaner in places where the temperature exceeds 50°C (122°F).
4. The wireless unit is an accurate instrument. Be careful not to drop or strike the cleaner.
5. Do not leave the cleaner in a place where static electricity or electrical noise could be generated.

PARTS DESCRIPTION

Model XCV14

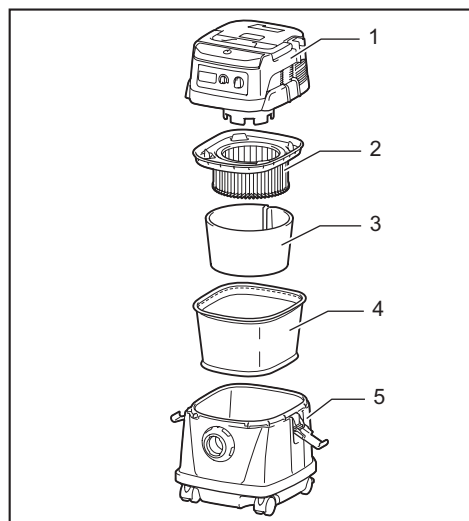
(Cloth filter (for dry and wet dust) model)



- 1. Tank cover 2. Float 3. Float cage 4. Cloth filter
5. Tank

Model XCV15, XCV16

(Powder filter (for dry dust) model)



- 1. Tank cover 2. Powder filter (HEPA) 3. Damper
4. Prefilter 5. Tank

FUNCTIONAL DESCRIPTION

CAUTION: Always be sure that the tool is switched off and the battery cartridge is removed before adjusting or checking function on the tool.

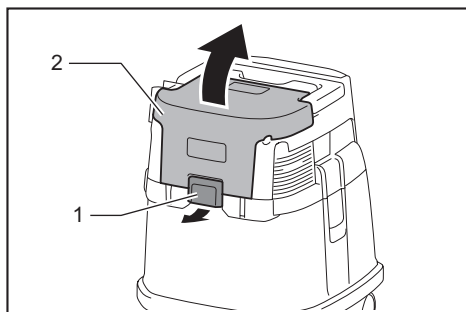
Installing or removing battery cartridge

CAUTION: Always switch off the tool before installing or removing of the battery cartridge.

CAUTION: Hold the cleaner and the battery cartridge firmly when installing or removing battery cartridge. Failure to hold the cleaner and the battery cartridge firmly may cause them to slip off your hands and result in damage to the cleaner and battery cartridge and a personal injury.

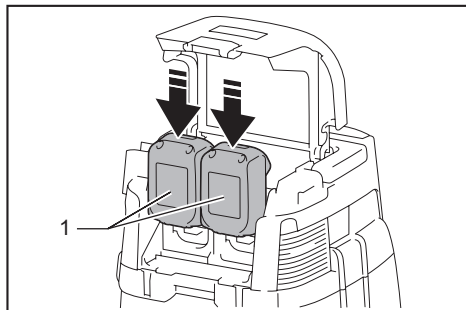
CAUTION: Be careful not to pinch your fingers when opening or closing the battery cover. Failure to do so may cause personal injury.

To install the battery cartridge, release the lock first, and then open the battery cover. After that, insert the battery cartridge.



- 1. Lock 2. Battery cover

Align the tongue on the battery cartridge with the groove in the housing and slip it into place. Insert it all the way until it locks in place with a little click. Then lock the battery cover.



- 1. Battery cartridge

To remove the battery cartridge, slide it from the tool while sliding the button in front of the cartridge.

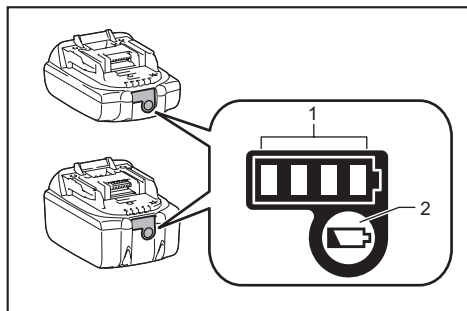
CAUTION: Always install the battery cartridge fully until the red indicator cannot be seen. If not, it may accidentally fall out of the cleaner, causing injury to you or someone around you.

CAUTION: Do not install the battery cartridge forcibly. If the cartridge does not slide in easily, it is not being inserted correctly.

NOTE: The cleaner does not work with only one battery cartridge.

Indicating the remaining battery capacity

Only for battery cartridges with the indicator



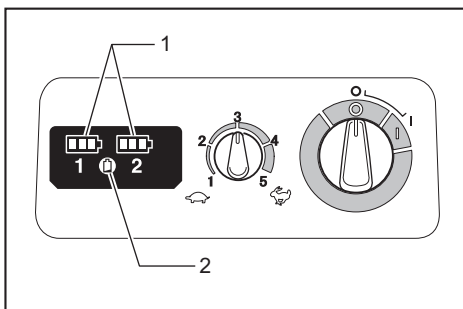
► 1. Indicator lamps 2. Check button

Press the check button on the battery cartridge to indicate the remaining battery capacity. The indicator lamps light up for a few seconds.

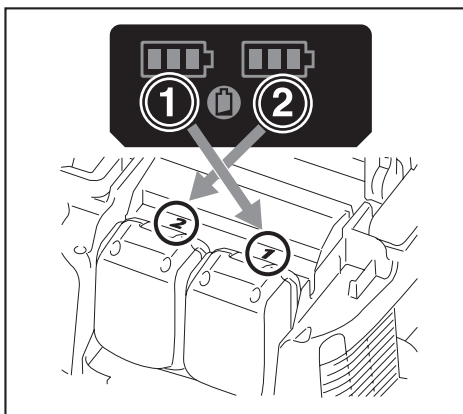
Indicator lamps			Remaining capacity
Lighted	Off	Blinking	
■ ■ ■ ■			75% to 100%
■ ■ ■ □			50% to 75%
■ ■ □ □			25% to 50%
■ □ □ □			0% to 25%
▣ □ □ □			Charge the battery.
■ ■ □ □	↑ ↓	□ □ ■ ■	The battery may have malfunctioned.

NOTE: Depending on the conditions of use and the ambient temperature, the indication may differ slightly from the actual capacity.

Indicating the remaining battery capacity



► 1. Battery indicator 2. Check button



Press the check button to indicate the remaining battery capacities. The battery indicators correspond to each battery.

Battery indicator status			Remaining battery capacity
On	Off	Blinking	
■	□	▣	50% to 100%
		▣	20% to 50%
		▣	0% to 20%
		▣	Charge the battery

NOTE: During the cleaner turned on with the stand-by switch set to "AUTO", the battery indicator does not work.

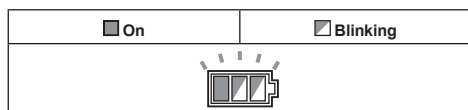
Tool / battery protection system

The tool is equipped with a tool/battery protection system. This system automatically cuts off power to the motor to extend tool and battery life. The tool will automatically stop during operation if the tool or battery is placed under one of the following conditions:

Overload protection

When the tool is operated in a manner that causes it to draw an abnormally high current, the tool automatically stops without any indication. In this situation, turn the tool off and stop the application that caused the tool to become overloaded. Then turn the tool on to restart.

Overheat protection

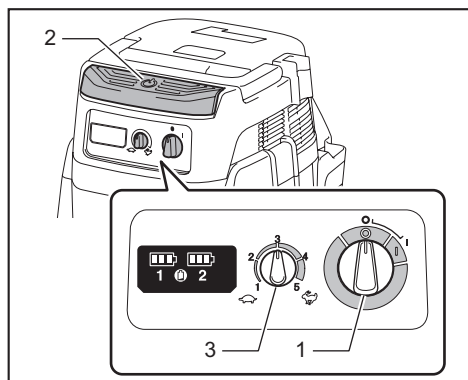


When the tool is overheated, the tool stops automatically, and the battery indicator blinks about 60 seconds. In this situation, let the tool cool down before turning the tool on again.

Overdischarge protection

When the battery capacity becomes low, the tool stops automatically. If the product does not operate even when the switches are operated, remove the batteries from the tool and charge the batteries.

Switch action





- ▶ 1. Stand-by switch 2. Power button 3. Suction force adjusting knob

To start the cleaner:

1. Set the stand-by switch to the "I" side. The cleaner gets into stand-by state.
2. Press the power button.
To make the cleaner get into stand-by mode, press the power button again.
To turn off the cleaner, set the stand-by switch to the "O" side.

The suction power can be adjusted according to your work need.

Suction power can be increased by turning the suction force adjusting knob from the  symbol to the  symbol.

NOTICE: Always set the stand-by switch to the "O" side when not using the cleaner for long time. The cleaner consumes power during stand-by state.

Auto-suction stop during wet suction operation

Only for the cloth filter model

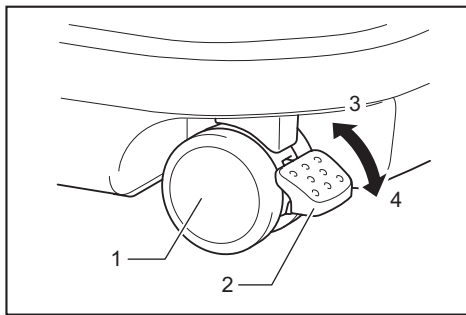
WARNING: Do not use for a long time while the float is at work. Using the cleaner with its float at work for a long time can cause overheat, resulting in the cleaner deformation.

WARNING: Do not pick up foam or soapy liquid. Picking up foam or soapy liquid can cause foam to come out of air exit before the float works. Continuing to use in this condition may cause an electric shock and breakage of the cleaner.

Auto-suction stop works only when using with the float and float cage.

The cleaner has a float mechanism that prevents water from immersing into the motor when picking up more than a certain amount of water. When the tank is full and the cleaner no longer picks up water, switch off the cleaner and empty the tank.

Locking or unlocking the caster



- ▶ 1. Caster 2. Stopper lever 3. FREE position
4. LOCK position

Locking the caster is convenient when storing the cleaner, stopping the work on the way and keeping the cleaner still.

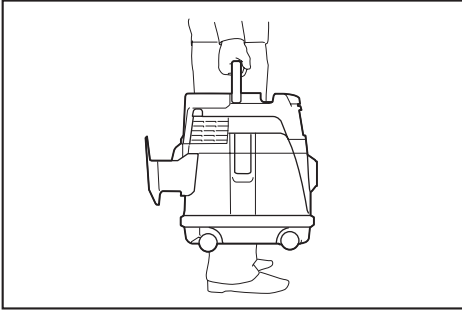
To operate the stopper, move it by hand.

To lock the caster with a stopper, lower the stopper lever and the caster no longer will rotate. To release the caster from the locked position, raise the stopper lever.

NOTE: When moving the cleaner, make sure that the caster is unlocked. Moving the cleaner with the caster in the locked position may cause damage to the caster.

Carriage handle

When carrying the cleaner, carry it by holding the handle on the head. The handle is retractable at the head when not in use.



ASSEMBLY

CAUTION: Always be sure that the tool is switched off and the battery cartridge is removed before carrying out any work on the tool.

CAUTION: Always wear dust mask during assembly or maintenance.

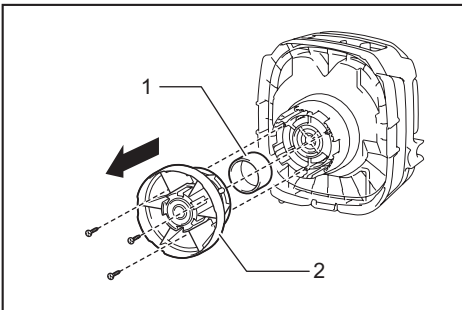
Installing the powder filter (HEPA) and prefilter (for dry dust)

Optional accessory for cloth filter model

CAUTION: Never pick up water or other liquids or wet dusts when using the powder filter. Picking up such things may cause the powder filter breakage.

To use powder filter:

1. Remove the float cage and float by removing the bolts.

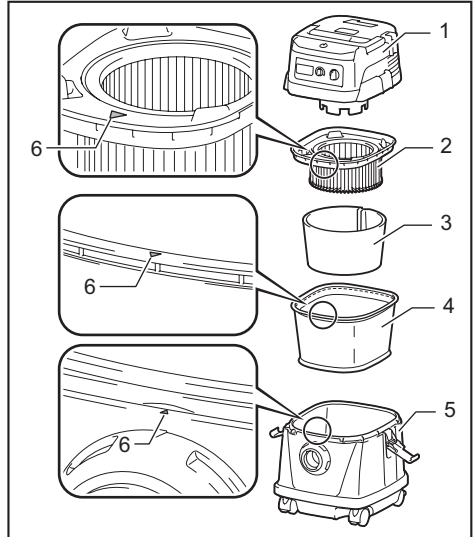


- 1. Float 2. Float cage

2. Place the prefilter in the tank with aligning the mounting position markings.

3. Mount the damper on the powder filter and then place them in the prefilter with aligning the mounting position markings.

4. Finally, mount the tank cover and lock it.



- 1. Tank cover 2. Powder filter (HEPA) 3. Damper
4. Prefilter 5. Tank 6. Mounting position marking

NOTICE: Before using the powder filter, make sure that prefilter and damper are always used together. It is not allowed to install powder filter solely.

Installing the water filter

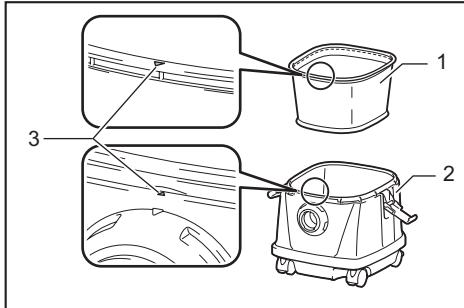
Optional accessory for cloth filter model

CAUTION: Never pick up water or wet dust without the float and the cloth filter or the water filter.

CAUTION: For picking up wet dust, make sure that the float cage and the float are installed on the cleaner.

CAUTION: When installing the water filter on the tank, set it tight at the opening of the tank so that the hook of the water filter engages the tank opening firmly and there is no space between the water filter and the tank.

To pick up water or wet dust only, the water filter is more suitable than the cloth filter.
When installing the water filter, align its mounting position mark with the one on the tank.



► 1. Water filter 2. Tank 3. Mounting position marking

NOTE: It is recommended using water filter when picking up large amount of water repeatedly. Otherwise vacuum ability may be reduced in case of cloth filter.

Installing the paper pack

Optional accessory

⚠WARNING: When using the paper pack, also use the cloth filter or prefilter together that is preinstalled on the cleaner. Failure to use the cloth filter / prefilter together may cause unusual noise and heat, resulting in a fire.

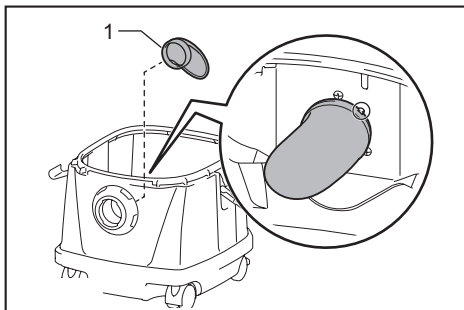
⚠CAUTION: (For the cloth filter model)

- Never pick up water or other liquids or wet dusts when using the paper pack. Picking up such things may cause the paper pack breakage.
- Before using the paper pack, make sure that powder filter (optional accessory), damper (optional accessory) and prefilter are always used together.

⚠CAUTION: (For the powder filter model)

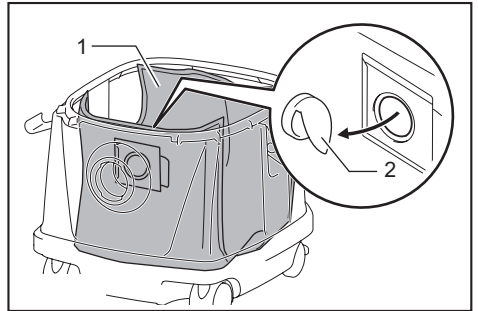
- Before using the paper pack, make sure that powder filter, damper and prefilter are always used together.

1. Remove the rubber holder.



► 1. Rubber holder

2. Extend the paper pack.
3. Align the paper pack opening with the dust suction opening of the cleaner.
4. Insert the cardboard of the paper pack onto the holder so that it is positioned at the end beyond the detent protrusion.

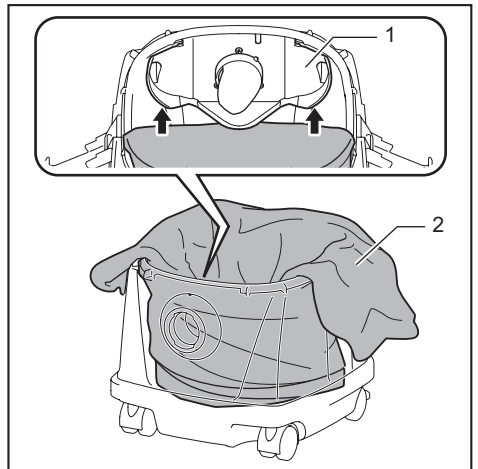


► 1. Paper pack 2. Holder

Installing the polyethylene bag

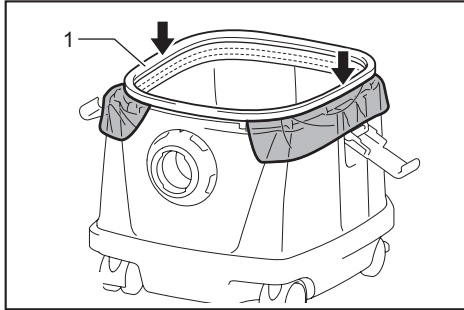
Cleaner can also be used without polyethylene bag. However, using polyethylene bag is easier to empty the tank without letting your hands dirty.

Spread the polyethylene bag in the tank. Insert it between the holder plate and the tank, and pull it to the hose inlet.



► 1. Holder plate 2. Polyethylene bag

Spread the bag around the top of the tank so that the cloth filter / prefilter edge can catch and hold the bag securely.



► 1. Cloth filter / prefilter

NOTE: A polyethylene bag available on the market can be used. 0.04 mm or thicker one is recommended.

NOTE: Too much dust will tear the bag easily, so do not collect the dust more than the half of the bag capacity.

Emptying the polyethylene bag

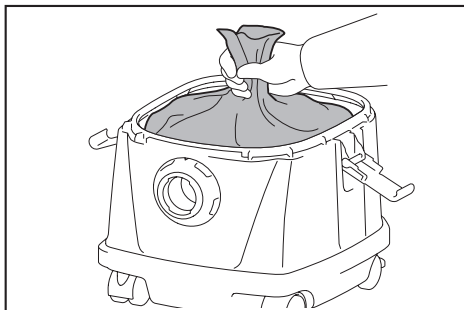
⚠ WARNING: Always make sure that the cleaner is switched off and the battery cartridge is removed before emptying the polyethylene bag. Failure to do so may cause an electric shock and serious personal injury.

⚠ CAUTION: Do not apply a great impact on the float cage and tank. Applying a great impact may cause deformation and damage to the parts.

⚠ CAUTION: Empty the tank at least once a day although this depends on picked-up dust volume in the tank. Or, the suction force will weaken and the motor may be broken.

⚠ CAUTION: Do not grab the hook when emptying the tank. Grabbing the hook may cause the hook to break.

Unhook and lift up the tank cover. Shake off the dust from the cloth filter / prefilter and then take the polyethylene bag out of the tank.

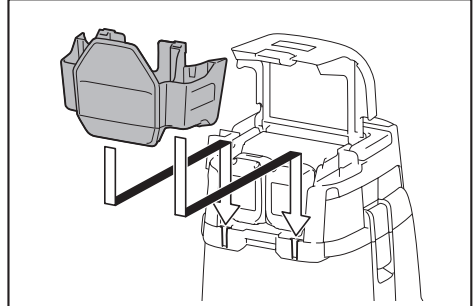


NOTE: Take the polyethylene bag carefully out of the tank so that the polyethylene bag cannot be caught and torn by the protrusion inside the tank when emptying it.

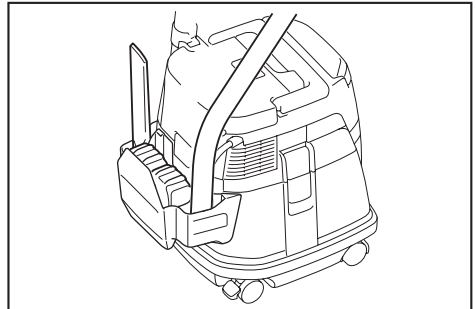
NOTE: Empty the polyethylene bag before it becomes full. Too much dust in the tank may cause the polyethylene bag to be torn.

Installing the tool box

1. Release the lock of the battery cover, and open the battery cover.
2. Set the rails on the tool box along the grooves on the housing.
3. Close the battery cover and apply the lock.



The tool box is convenient for carrying batteries, pipe, or cuffs.

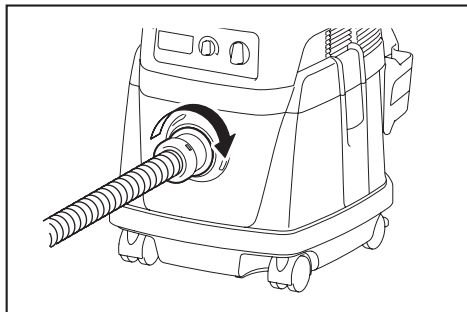


Connecting the hose

NOTICE: Never force the hose for bending or stamp it. Never move the cleaner by a hose. Forcing, stamping and pulling the hose may cause a breakage or deformation of the hose.

NOTICE: When picking up large wastes such as planer carvings, concrete dusts or similar other than small wastes, use the 38 mm inner diameter hose (optional accessory). Using the 28 mm inner diameter hose (optional accessory) may cause a hose stuffing and damage.

Insert the hose onto the mounting port of the tank and turn it clockwise until it locks.

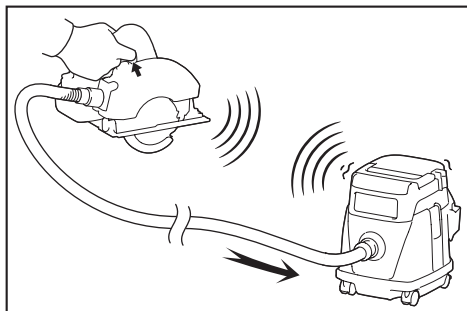


WIRELESS ACTIVATION FUNCTION

For XCV16 only

What you can do with the wireless activation function

The wireless activation function enables clean and comfortable operation. By connecting a supported tool to the cleaner, you can run the cleaner automatically along with the switch operation of the tool.



NOTICE: Be sure to refer to the instruction manual of the tool when using the cleaner with wireless activation function.

NOTICE: Do not disassemble or tamper with the wireless unit.

NOTICE: Always close the lid of the wireless unit in the tool when operating or storage.

NOTICE: Do not remove the wireless unit from the tool while the power is being supplied to the tool. Doing so may cause a malfunction of the wireless unit.

NOTICE: Do not press the wireless activation button too hard and/or press the button with an object with a sharp edge.

NOTE: Wireless activation needs Makita tools equipped with the wireless unit.

NOTE: Prior to the initial use of the wireless activation function with each tool, the tool registration is required. Once the registration is finished with the tool, the re-registration is not required unless it is cancelled.

NOTE: Before registration, be sure that the wireless unit is properly inserted into the tool.

NOTE: One cleaner can register up to 10 tools. If more than 10 tools are registered to the cleaner, the tool registered earliest will be cancelled automatically.

NOTE: The position of the wireless activation button varies depending on the tool.

NOTE: The cleaner also starts by pressing the power button when the stand-by switch is set to "AUTO". However the power button will not actuate when the wireless activation function is used.

Tool registration for the cleaner

NOTE: A Makita tool supporting the wireless activation function is required for the tool registration.

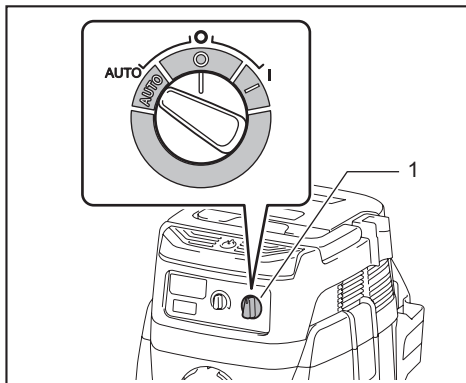
NOTE: Finish installing the wireless unit to the tool before starting the tool registration.

NOTE: During the tool registration, do not pull the switch trigger on the tool or turn on the power switch on the cleaner.

NOTE: Refer to the instruction manual of the tool, too.

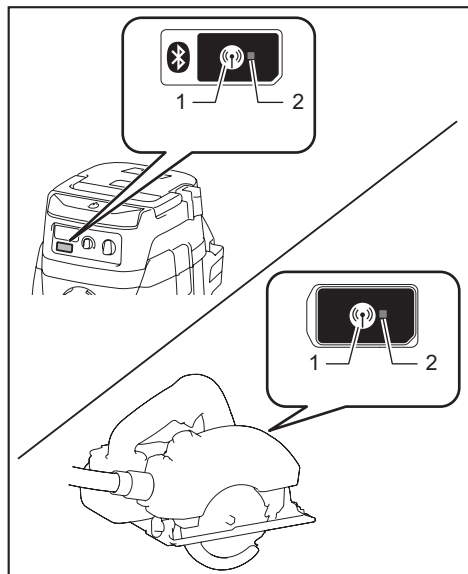
If you wish to activate the cleaner along with the switch operation of the tool, finish the tool registration beforehand.

1. Install the batteries to the cleaner and the tool.
2. Set the stand-by switch on the cleaner to "AUTO".



- ▶ 1. Stand-by switch

3. Press the wireless activation button on the cleaner for 3 seconds until the wireless activation lamp blinks in green. And then press the wireless activation button on the tool in the same way.



► 1. Wireless activation button 2. Wireless activation lamp

If the cleaner and the tool are linked successfully, the wireless activation lamps will light up in green for 2 seconds and start blinking in blue.

NOTE: The wireless activation lamps finish blinking in green after 20 seconds elapsed. Press the wireless activation button on the tool while the wireless activation lamp on the cleaner is blinking. If the wireless activation lamp does not blink in green, push the wireless activation button briefly and hold it down again.

NOTE: When performing two or more tool registration for the cleaner, finish the tool registration one by one.

Starting the wireless activation function

NOTE: Finish the tool registration for the cleaner for wireless activation.

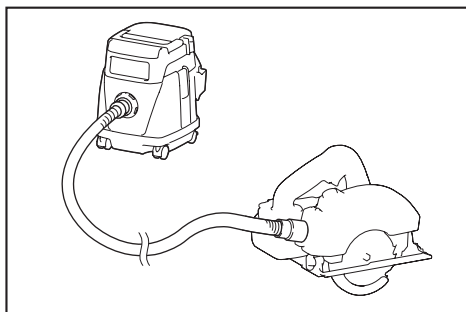
NOTE: Always place the cleaner so that you can see the status of the wireless activation lamp.

NOTE: Refer to the instruction manual of the tool, too.

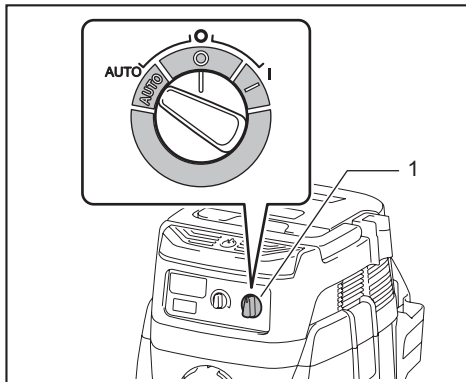
After registering a tool to the cleaner, the cleaner will automatically runs along with the switch operation of the tool.

1. Install the wireless unit to the tool.

2. Connect the hose of the cleaner with the tool.

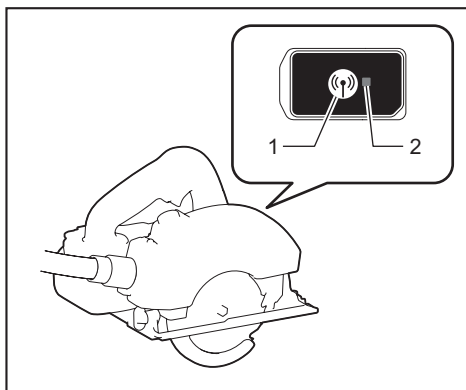


3. Set the stand-by switch on the cleaner to "AUTO".



► 1. Stand-by switch

4. Push the wireless activation button on the tool briefly. The wireless activation lamp will blink in blue.



► 1. Wireless activation button 2. Wireless activation lamp

5. Pull the switch trigger of the tool. Check if the cleaner runs while the switch trigger on the tool is being pulled.

To stop the wireless activation, push the wireless activation button on the tool, or set the stand-by switch on the cleaner to "I" or "O".

NOTE: The wireless activation lamp on the tool will stop blinking in blue when there is no operation for 2 hours. In this case, set the stand-by switch on the cleaner to "AUTO" and press the wireless activation button on the tool again.

NOTE: The cleaner starts/stops with a delay. There is a time lag when the cleaner detects a switch operation of the tool.

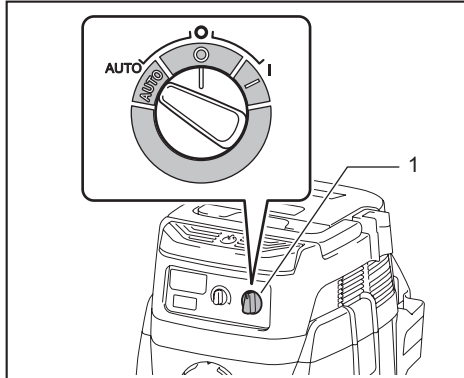
NOTE: The transmission distance of the wireless unit may vary depending on the location and surrounding circumstances.

NOTE: When two or more tools are registered to one cleaner, the cleaner may start running even if you don't pull the switch trigger because other user is using the wireless activation function.

cancelling tool registration for the cleaner

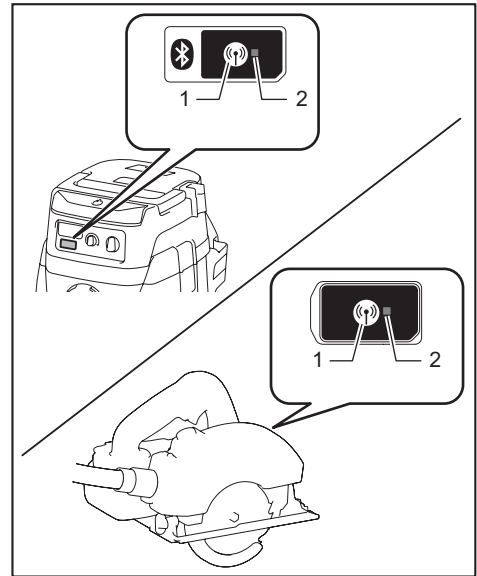
Perform the following procedure when cancelling the tool registration for the cleaner.

1. Install the batteries to the cleaner and the tool.
2. Set the stand-by switch on the cleaner to "AUTO".



► 1. Stand-by switch

3. Press the wireless activation button on the cleaner for 6 seconds. The wireless activation lamp blinks in green and then become red. After that, press the wireless activation button on the tool in the same way.



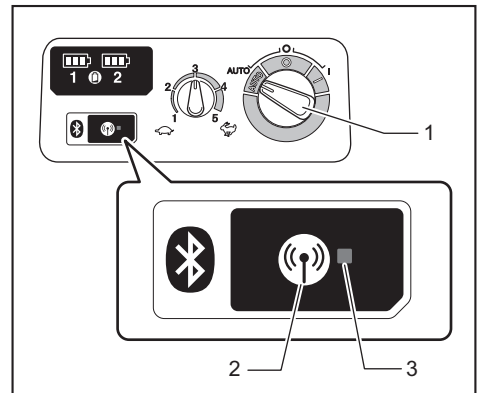
► 1. Wireless activation button 2. Wireless activation lamp

If the cancellation is performed successfully, the wireless activation lamps will light up in red for 2 seconds and start blinking in blue.

NOTE: The wireless activation lamps finish blinking in red after 20 seconds elapsed. Press the wireless activation button on the tool while the wireless activation lamp on the cleaner is blinking. If the wireless activation lamp does not blink in red, push the wireless activation button briefly and hold it down again.

Erasing all tool registrations

You can erase all tool registrations from the cleaner as follows.



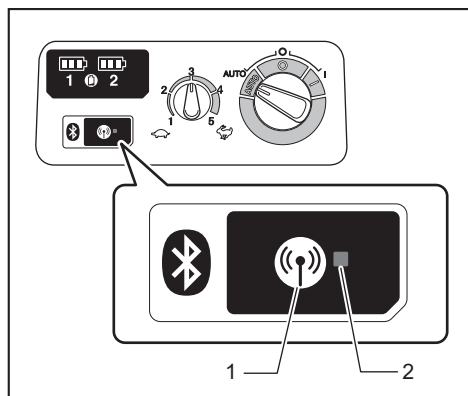
► 1. Stand-by switch 2. Wireless activation button 3. Wireless activation lamp

1. Install the batteries to the cleaner.
2. Set the stand-by switch to "AUTO".
3. Hold down the wireless activation button for about 6 seconds until the wireless activation lamp blinks in red (about twice per one second).
4. When the wireless activation lamp starts blinking in red, release your finger from the wireless activation button. Thereafter, hold down the wireless activation button again for about 6 seconds.

5. When the wireless activation lamp starts blinking fast (about 5 times per one second) in red, release your finger from the wireless activation button. When the wireless activation lamp lights up in red and later lights off, all tool registrations are erased.

NOTE: If the wireless activation lamp does not blink in red, press the wireless activation button briefly and try again.

Description of the wireless activation lamp status



- 1. Wireless activation button 2. Wireless activation lamp

The wireless activation lamp shows the status of the wireless activation function. Refer to the below table for the meaning of the lamp status.

Status	Wireless activation lamp			Duration	Description
	Color	<input type="checkbox"/> On	<input checked="" type="checkbox"/> Blinking		
Standby	Blue	<input checked="" type="checkbox"/>		Cleaner: continuing Tool: 2 hours	Waiting for the tool registration or the wireless activation function is available. The lamp on the cleaner blinks when the stand-by switch is set in AUTO. The lamp on the tool blinks when the wireless activation button is pushed. The lamp on the tool will automatically turn off when no operation is performed for 2 hours.
		<input type="checkbox"/>		When the tool is running.	The wireless activation of the cleaner is available and the tool is running.
Tool registration	Green	<input checked="" type="checkbox"/>		20 seconds	Ready for the tool registration. Searching the tool to be registered.
		<input type="checkbox"/>		2 seconds	The tool registration has been finished. The wireless activation lamp will start blinking in blue.
Cancelling/ erasing tool registration	Red	<input checked="" type="checkbox"/>		20 seconds	Ready for the cancellation of the tool registration. Searching the tool to be cancelled.
		<input checked="" type="checkbox"/>		When the wireless activation button is pressed down.	Ready to erase all tool registrations.
		<input type="checkbox"/>		2 seconds	The tool registration has been cancelled/erased. The wireless activation lamp will start blinking in blue.
Others	Red	<input type="checkbox"/>		3 seconds	The power is supplied to the wireless unit and the wireless activation function is starting up.
	Off	-		-	The stand-by switch is not set to "AUTO".

Troubleshooting for wireless activation function

Before asking for repairs, conduct your own inspection first. If you find a problem that is not explained in the manual, do not attempt to dismantle the tool. Instead, ask Makita Authorized Service Centers, always using Makita replacement parts for repairs.

State of abnormality	Probable cause (malfunction)	Remedy
The wireless activation lamp does not light/blink.	The wireless unit is not installed into the tool. The wireless unit is improperly installed into the tool.	Install the wireless unit correctly in the tool.
	The terminal of the wireless unit and/or the slot is dirty.	Gently wipe off dust and dirt on the terminal of the wireless unit and clean the slot of the tool.
	The wireless activation button on the tool has not been pushed.	Push the wireless activation button on the tool briefly.
	The stand-by switch on the cleaner is not set to "AUTO".	Set the stand-by switch on the cleaner to "AUTO".
	No power supply	Supply the power to the tool and the cleaner.
Cannot finish tool registration / cancelling tool registration successfully.	The wireless unit is not installed into the tool. The wireless unit is improperly installed into the tool.	Install the wireless unit correctly in the tool.
	The terminal of the wireless unit and/or the slot is dirty.	Gently wipe off dust and dirt on the terminal of the wireless unit and clean the slot of the tool.
	The stand-by switch on the cleaner is not set to "AUTO".	Set the stand-by switch on the cleaner to "AUTO".
	No power supply	Supply the power to the tool and the cleaner.
	Incorrect operation	Push the wireless activation button briefly and perform the tool registration/cancellation procedures again.
	The tool and cleaner is away from each other (out of the transmission range).	Get the tool and the cleaner closer to each other. The maximum transmission distance is approximately 10 m however it may vary according to the circumstances.
	Before finishing the tool registration/cancellation; - the switch trigger on the tool is pulled or; - the power button on the cleaner is turned on.	Push the wireless activation button briefly and perform the tool registration/cancellation procedures again.
	The tool registration procedures for the tool or the cleaner has not finished.	Perform the tool registration procedures for the tool and the cleaner at the same timing.
Radio disturbance by other appliances which generate high-intensity radio waves.	Keep the tool and the cleaner away from the appliances such as Wi-Fi devices and microwave ovens.	

State of abnormality	Probable cause (malfunction)	Remedy
The cleaner does not run along with the switch operation of the tool.	The wireless unit is not installed into the tool. The wireless unit is improperly installed into the tool.	Install the wireless unit correctly in the tool.
	The terminal of the wireless unit and/or the slot is dirty.	Gently wipe off dust and dirt on the terminal of the wireless unit and clean the slot of the tool.
	The wireless activation button on the tool has not been pushed.	Push the wireless activation button briefly and make sure that the wireless activation lamp is blinking in blue.
	The stand-by switch on the cleaner is not set to "AUTO".	Set the stand-by switch on the cleaner to "AUTO".
	More than 10 tools are registered to the cleaner.	Perform the tool registration again. If more than 10 tools are registered to the cleaner, the tool registered earliest will be cancelled automatically.
	The cleaner erased all tool registrations.	Perform the tool registration again.
	No power supply	Supply the power to the tool and the cleaner.
	The tool and cleaner is away from each other (out of the transmission range).	Get the tool and the cleaner closer to each other. The maximum transmission distance is approximately 10 m however it may vary according to the circumstances.
	Radio disturbance by other appliances which generate high-intensity radio waves.	Keep the tool and the cleaner away from the appliances such as Wi-Fi devices and microwave ovens.
The cleaner runs while the tool's switch trigger is not pulled.	Other users are using the wireless activation of the cleaner with their tools.	Turn off the wireless activation button of the other tools or cancel the tool registration of the other tools.
Cannot erase all tool registrations in the cleaner.	Pressing the wireless button on the tool.	Press the wireless button on the cleaner for erasing all tool registrations.
	The stand-by switch on the cleaner is not set to "AUTO".	Set the stand-by switch on the cleaner to "AUTO".
	The wireless activation button is not held down correctly.	Hold down the wireless activation button for more than 6 seconds and then release it when the wireless activation lamp blinks in red. Hold down the wireless activation button for more than 6 seconds again until the wireless activation button rapidly blinks in red and then release the button.

MAINTENANCE

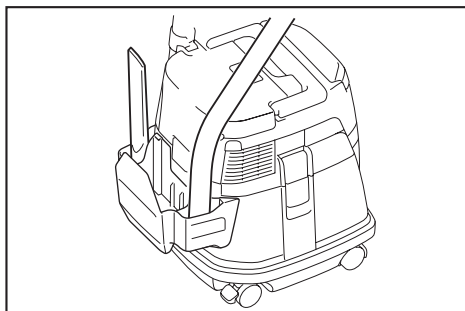
CAUTION: Always be sure that the tool is switched off and the battery cartridge is removed before attempting to perform inspection or maintenance.

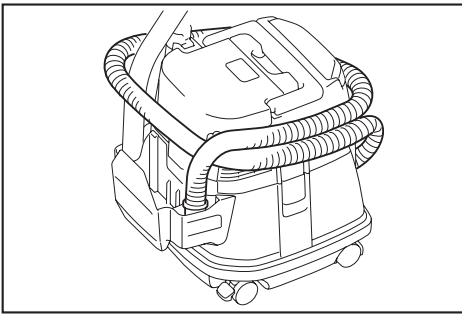
NOTICE: Never use gasoline, benzine, thinner, alcohol or the like. Discoloration, deformation or cracks may result.

To maintain product SAFETY and RELIABILITY, repairs, any other maintenance or adjustment should be performed by Makita Authorized or Factory Service Centers, always using Makita replacement parts.

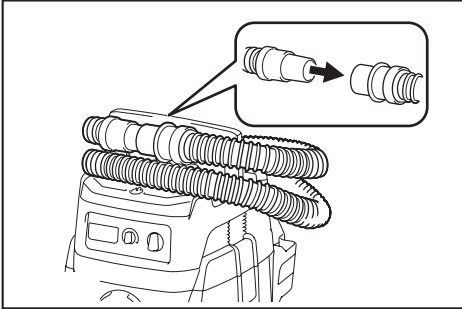
Storage of accessories

The pipes can be placed into the pipe holder when not using the cleaner for a short time.





The hose can be stored around the tool by connecting each ends.

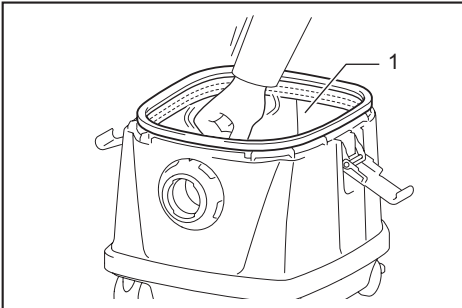


Cleaning of cloth filter

Only for the cloth filter model

Clogged cloth filter causes poor suction performance. Clean out the cloth filter from time to time.

To remove dust or particles adhering to the cloth filter, shake the frame bottom quickly several times.



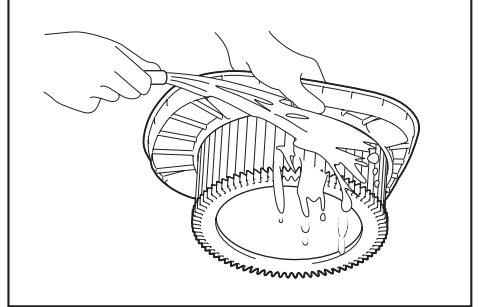
► 1. Cloth filter

Cleaning of powder filter (HEPA) and prefilter

Only for the powder filter model

Clogged powder filter, prefilter and damper cause poor suction performance. Clean out the filters and dampers from time to time.

To remove dust or particles adhering to the filters, shake the frame bottom quickly several times.



Occasionally wash the powder filter in water, rinse and dry thoroughly in the shade before use. Never wash filters in a washing machine.

NOTE: Do not rub or scratch the powder filter, the prefilter or the damper with hard objects such as a brush and a paddle.

NOTE: The filters wear out in course of time. It is recommended to have some spares for them.

OPTIONAL ACCESSORIES

CAUTION: These accessories or attachments are recommended for use with your Makita tool specified in this manual. The use of any other accessories or attachments might present a risk of injury to persons. Only use accessory or attachment for its stated purpose.

If you need any assistance for more details regarding these accessories, ask your local Makita Service Center.

- Hose
- Front cuff (22, 24, 38)
- Straight pipe
- Corner nozzle
- Round brush
- Powder filter, HEPA (for dry dust)
- Damper
- Prefilter
- Nozzle assembly
- Bent pipe
- Polyethylene bag
- Paper pack
- Holder set
- Water Filter (option for the cloth filter model)
- Makita genuine battery and charger

NOTE: Some items in the list may be included in the tool package as standard accessories. They may differ from country to country.

MAKITA LIMITED WARRANTY

Please refer to the annexed warranty sheet for the most current warranty terms applicable to this product. If annexed warranty sheet is not available, refer to the warranty details set forth at below website for your respective country.

United States of America: www.makitatools.com

Canada: www.makita.ca

Other countries: www.makita.com

ESPECIFICACIONES

Modelo:		XCV14	XCV15	XCV16
Tipo de filtro estándar		Filtro de tela (para polvo seco y húmedo)	Filtro de polvo (para polvo seco)	
Volumen de aire máximo (con BL1850B, manguera de ø38 mm (1-1/2") x 2,5 m (98-1/2"))		2,1 m ³ /min (74 cu.ft./min)		
Aspiradora (con BL1850B, manguera de ø38 mm (1-1/2") x 2,5 m (98-1/2"))		9,8 kPa		
Capacidad recuperable	Polvo	15 L (4,0 gal)		
	Agua	12 L (3,2 gal)	-	
Dimensiones (La x An x Al)		366 mm x 334 mm x 421 mm (14-3/8" x 13-1/8" x 16-1/2")		
Tensión nominal		36 V c.c.		
Peso neto		7,3 kg - 7,9 kg (16,0 lbs - 17,4 lbs)	8,0 kg - 8,6 kg (17,6 lbs - 19,0 lbs)	
Versión de Bluetooth®		-		4,1 (Bluetooth Low Energy)
Banda de frecuencia		-		2 402 MHz - 2 480 MHz
Potencia máxima de radiofrecuencia		-		1,0 dBm (PIRE)
Rango de transmisión		-		Aproximadamente 10 m

- Debido a nuestro continuo programa de investigación y desarrollo, las especificaciones aquí incluidas están sujetas a cambio sin previo aviso.
- Las especificaciones y el cartucho de batería pueden variar de país a país.
- El peso incluye el o los cartuchos de batería, pero no los accesorios. La combinación de menor y mayor peso del aparato y del o los cartuchos de batería se muestra en la tabla.
- Para polvo húmedo, se requieren el flotador y el filtro de agua o de tela.



El término Bluetooth® así como su marca y logo son marcas registradas propiedad de Bluetooth SIG, Inc. y su uso por parte de Makita está autorizado bajo licencia. Las demás marcas registradas y nombres comerciales pertenecen a sus respectivos propietarios.

Cartucho de batería y cargador aplicables

Cartucho de batería	BL1815N / BL1820B / BL1830 / BL1830B / BL1840B / BL1850B / BL1860B
Cargador	DC18RC / DC18RD / DC18RE / DC18SD / DC18SE / DC18SF

- Algunos de los cartuchos de batería y cargadores enumerados arriba podrían no estar disponibles dependiendo de su área de residencia.

⚠ ADVERTENCIA: Use únicamente los cartuchos de batería y los cargadores indicados arriba. El uso de cualquier otro cartucho de batería y cargador podría ocasionar una lesión y/o un incendio.

ADVERTENCIAS DE SEGURIDAD

INSTRUCCIONES IMPORTANTES DE SEGURIDAD

Al usar cualquier aparato eléctrico, siempre deben seguirse las precauciones básicas, incluyendo las siguientes:

GUARDE ESTAS INSTRUCCIONES.

ADVERTENCIA

Para reducir el riesgo de incendio, descarga eléctrica o lesión:

1. No deje el aparato con la batería puesta. Retire la batería del aparato cuando no lo vaya a utilizar y antes de dar servicio de mantenimiento.
2. No permita que sea utilizado como un juguete. Preste mucha atención cuando sea utilizado por niños o cerca de ellos.
3. Utilícelo solamente como se describe en este manual. Sólo use aditamentos recomendados por el fabricante.
4. No lo utilice con una batería dañada. Si el aparato no está funcionando como debiera, se ha dejado caer, se ha dañado, se ha dejado a la intemperie o ha caído sobre agua, llévelo a un centro de servicio.
5. No manipule la batería ni el aparato con las manos mojadas.
6. No introduzca ningún objeto en las aberturas. No lo utilice con ninguna abertura bloqueada; manténgalo libre de polvo, pelusa, cabello y cualquier objeto que pueda reducir el flujo de aire.
7. Mantenga el cabello, la ropa holgada, los dedos y todas las partes del cuerpo lejos de las aberturas y piezas móviles.

8. Apague todos los controles antes de retirar el cartucho de batería.
9. Tenga especial cuidado cuando limpie en escaleras.
10. No lo utilice para recoger líquidos inflamables o combustibles, tal como gasolina, ni en áreas donde puedan estar presentes.
11. Utilice solamente el cargador suministrado por el fabricante para recargar.
12. No recoja nada que se esté quemando o desprenda humo, tal como cigarrillos, fósforos o cenizas calientes.
13. No lo utilice sin los filtros colocados en su lugar. Reemplace cualquier filtro dañado de inmediato.
14. No cargue la batería en exteriores.
15. (Para los modelos con filtro de polvo.) No lo utilice sobre superficies húmedas. No lo exponga a la lluvia. Almacénelo en interiores.
16. (Para los modelos con filtro de tela.) No lo exponga a la lluvia. Almacénelo en interiores.
17. Instale siempre el flotador antes de cualquier operación para aspirar objetos húmedos.
18. No utilice la aspiradora como banco o mesa de trabajo. La máquina podría caerse y ocasionar una lesión personal.
19. No aspire los siguientes elementos:
 - Líquidos inflamables (queroseno, gasolina, disolventes como bencina, diluyentes, etc.)
 - Sustancias calientes que están ardiendo o echando humo (cigarrillos, cerillas, palitos de incienso, velas, cenizas calientes), chispas y polvo metálico generados por el corte o el lijado de metales, etc.
 - Materiales inflamables (tóner, pinturas, aerosoles, etc.)
 - Espumas, como limpiadores de alfombras, etc. (pueden causar explosiones o incendios)

- Sustancias explosivas o pirofóricas (nitroglicerina, aluminio, magnesio, titanio, zinc, fósforo rojo, fósforo amarillo, celuloide, etc., y su polvo, gases o vapores)
- Objetos afilados (cristal, cubiertos, astillas de madera, metales, piedras, clavos, cuchillas, tachuelas, etc.)
- Polvo fino conductor y solidificante (polvo metálico o de carbono)
- Deshumidificador
- Grandes cantidades de polvo (harina, polvo de extintor de incendios, etc.)
- Sustancias que causan síntomas tóxicos
- Productos químicos agresivos (ácidos, lixiviados, etc.)
- Basura líquida o húmeda, incluyendo vómitos y heces
- Asbesto
- Pesticidas

Tal acción podría ocasionar un incendio, lesiones y/o daños materiales.

Para reducir la exposición a estas sustancias químicas, utilice un equipo de protección respiratoria aprobado, tal como las máscaras contra polvo que están especialmente diseñadas para filtrar partículas microscópicas. No apunte la salida de aire a la cara y al cuerpo. NOTA: Lea el reglamento OSHA en lo referente a polvo de sílice a fin de entender los requisitos necesarios para reducir la exposición al polvo de sílice en el puesto de trabajo.

Contiene normas específicas sobre el taladrado, la demolición, el corte y el lijado de materiales que contienen sílice. Todos los requisitos de la OSHA relacionados con la reducción de polvo de sílice se pueden encontrar en el sitio web de la OSHA: www.osha.gov.

20. Este aparato no se destina para utilizarse por personas (incluyendo niños) cuyas capacidades físicas, sensoriales o mentales sean diferentes o estén reducidas o carezcan de experiencia o de conocimiento, a menos que dichas personas reciban una supervisión o capacitación para el funcionamiento del aparato por una persona responsable de su seguridad.
21. Los niños deben supervisarse para asegurar que ellos no empleen los aparatos como juguete.

Uso y cuidado de la herramienta a batería

1. Evite un arranque accidental. Asegúrese de que el interruptor esté en la posición apagada antes de conectar el paquete de baterías, levantar el aparato o cargarlo. Cargar el aparato con su dedo en el interruptor o pasar energía al aparato con el interruptor encendido puede propiciar accidentes.
2. Desconecte el paquete de baterías del aparato antes de hacer cualquier ajuste, cambiar accesorios o almacenar el aparato. Estas medidas de seguridad preventivas reducen el riesgo de poner en marcha el aparato accidentalmente.
3. Recargue sólo con el cargador especificado por el fabricante. Un cargador que es adecuado para un solo tipo de batería puede generar riesgo de incendio al ser utilizado con otra batería.
4. Use los aparatos únicamente con los paquetes de baterías designados específicamente para ellos. El uso de otros paquetes de baterías puede generar riesgo de lesiones e incendio.
5. Cuando no se esté usando la batería, manténgala alejada de otros objetos metálicos, como sujetapapeles (clips), monedas, llaves, clavos, tornillos u otros objetos pequeños de metal los cuales pueden actuar creando una conexión entre las terminales de la batería. Originar un cortocircuito en las terminales puede causar quemaduras o incendios.




6. **En condiciones abusivas, podrá escapar líquido de la batería; evite tocarlo. Si lo toca accidentalmente, enjuague con agua. Si hay contacto del líquido con los ojos, busque asistencia médica.** Puede que el líquido expulsado de la batería cause irritación o quemaduras.
7. **No utilice un paquete de baterías o aparato que esté dañado o haya sido modificado. Las baterías dañadas o modificadas podrían comportarse de manera impredecible causando un incendio, explosión o riesgo de lesión.**
8. **No exponga un paquete de baterías o aparato al fuego o a una temperatura excesiva. La exposición al fuego o a una temperatura superior a 130 °C podría causar una explosión.**
9. **Siga todas las instrucciones relativas a la carga y no cargue el paquete de baterías o el aparato fuera del rango de temperatura especificado en las instrucciones.** Cargar de manera inapropiada o a temperaturas fuera del rango especificado podría dañar la batería e incrementar el riesgo de incendio.
10. **Pida que el servicio lo realice un técnico en reparaciones calificado y que utilice únicamente piezas de repuesto idénticas a las originales.** Esto garantizará que se mantenga la seguridad del producto.
11. **No modifique ni intente reparar el aparato ni el paquete de baterías salvo como se indique en las instrucciones para el uso y cuidado.**

GUARDE ESTAS INSTRUCCIONES.

Este aparato está diseñado para uso comercial.

Símbolos

A continuación se muestran los símbolos utilizados para la herramienta.

v	volts o voltios
— — —	corriente directa o continua
	Ponga especial atención y tenga cuidado.
	Nunca se pare sobre la aspiradora.
~	corriente alterna
A	amperes
Hz	hertz
	Construcción clase II

Instrucciones importantes de seguridad para el cartucho de batería

1. **Antes de utilizar el cartucho de batería, lea todas las instrucciones e indicaciones de precaución en el (1) el cargador de batería, (2) la batería, y (3) el producto con el que se utiliza la batería.**
2. **No desarme el cartucho de batería.**
3. **Si el tiempo de operación se ha acortado en exceso, deje de operar de inmediato. Podría correrse el riesgo de sobrecalentamiento, posibles quemaduras e incluso explosión.**
4. **En caso de que ingresen electrolitos en sus ojos, enjuáguelos bien con agua limpia y consulte de inmediato a un médico. Esto podría ocasionar pérdida de visión.**

5. **Evite cortocircuitar el cartucho de batería:**
 - (1) **No toque las terminales con ningún material conductor.**
 - (2) **Evite guardar el cartucho de batería en un cajón junto con otros objetos metálicos, tales como clavos, monedas, etc.**
 - (3) **No exponga el cartucho de batería al agua o la lluvia.**

Un cortocircuito en la batería puede causar un flujo grande de corriente, sobrecalentamiento, posibles quemaduras e incluso una descompostura.

6. **No guarde la herramienta ni el cartucho de batería en lugares donde la temperatura pueda alcanzar o exceder los 50°C (122°F).**
7. **Nunca incinere el cartucho de batería incluso en el caso de que esté dañado seriamente o ya no sirva en absoluto. El cartucho de batería puede explotar si se tira al fuego.**
8. **Tenga cuidado de no dejar caer ni golpear la batería.**
9. **No use una batería dañada.**
10. **Las baterías de ión de litio están sujetas a los requisitos reglamentarios en materia de bienes peligrosos.**

Para el transporte comercial, por ej., mediante terceros o agentes de transporte, se deben tomar en cuenta los requisitos especiales relativos al empaque y el etiquetado. Para efectuar los preparativos del artículo que se va a enviar, se requiere consultar a un experto en materiales peligrosos. Si es posible, consulte además otras regulaciones nacionales más detalladas.

Pegue o cubra con cinta adhesiva los contactos abiertos y empaque la batería de manera que ésta no pueda moverse dentro del paquete.

11. **Siga las regulaciones locales relacionadas al desecho de las baterías.**

12. **Utilice las baterías únicamente con los productos especificados por Makita.** Instalar las baterías en productos que no cumplen con los requisitos podría ocasionar un incendio, un calentamiento excesivo, una explosión o una fuga de electrolito.

GUARDE ESTAS INSTRUCCIONES.

⚠PRECAUCIÓN: Utilice únicamente baterías originales de Makita. El uso de baterías no originales de Makita, o de baterías alteradas, puede ocasionar que las baterías exploten causando un incendio, lesiones personales y daños. Asimismo, esto invalidará la garantía de Makita para la herramienta y el cargador Makita.

Consejos para alargar al máximo la vida útil de la batería

1. **Cargue el cartucho de batería antes de que se descargue completamente. Pare siempre la operación y cargue el cartucho de batería cuando note menos potencia en la herramienta.**
2. **No cargue nunca un cartucho de batería que esté completamente cargado. La sobrecarga acortará la vida de servicio de la batería.**
3. **Cargue el cartucho de batería a una temperatura ambiente de 10 °C - 40 °C (50 °F - 104 °F). Si un cartucho de batería está caliente, déjelo enfriar antes de cargarlo.**
4. **Cargue el cartucho de batería si no va a utilizarlo durante un período prolongado (más de seis meses).**

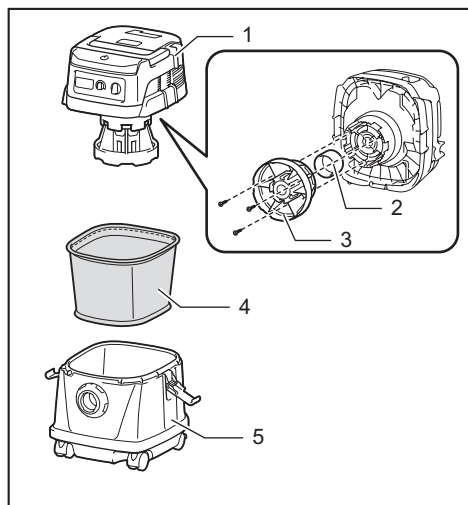
Instrucciones importantes de seguridad para la unidad inalámbrica

1. **No desarme ni modifique la aspiradora. La unidad inalámbrica en la aspiradora no puede retirarse.**
2. **No utilice la función de activación inalámbrica en lugares donde haya cerca instrumentos médicos, marcapasos o dispositivos automatizados tales como puertas automáticas y alarmas contra incendios.**
3. **No utilice la aspiradora en lugares donde la temperatura exceda los 50°C (122°F).**
4. **La unidad inalámbrica es un instrumento de precisión. Tenga cuidado de no dejar caer ni golpear la aspiradora.**
5. **No deje la aspiradora en un lugar donde pueda generarse electricidad estática o ruido eléctrico.**

DESCRIPCIÓN DE LAS PIEZAS

Modelo XCV14

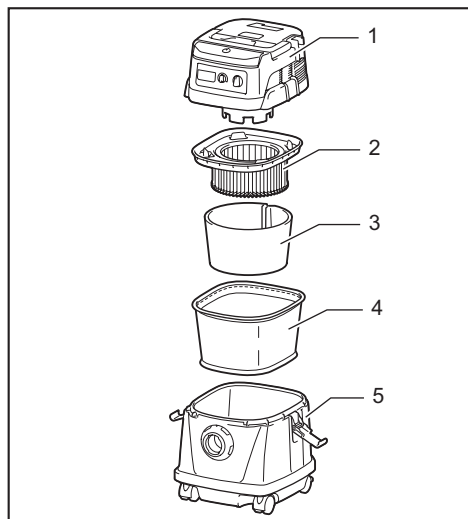
(Modelo con filtro de tela (para polvo seco y húmedo))



- 1. Cubierta del tanque 2. Flotador 3. Caja del flotador 4. Filtro de tela 5. Tanque

Modelo XCV15, XCV16

(Modelo con filtro de polvo (para polvo seco))



- 1. Cubierta del tanque 2. Filtro de polvo (HEPA) 3. Amortiguador 4. Prefiltro 5. Tanque

DESCRIPCIÓN DEL FUNCIONAMIENTO

⚠PRECAUCIÓN: Asegúrese siempre de que la herramienta esté apagada y el cartucho de batería haya sido extraído antes de realizar cualquier ajuste o comprobación en la herramienta.

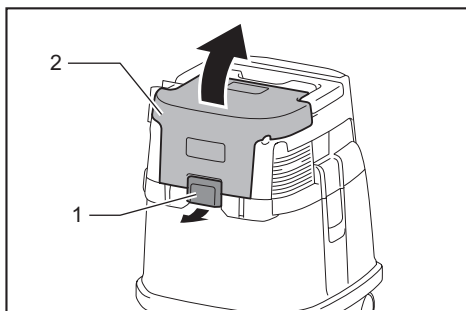
Instalación o extracción del cartucho de batería

⚠PRECAUCIÓN: Apague siempre la herramienta antes de colocar o quitar el cartucho de batería.

⚠PRECAUCIÓN: Sujete la aspiradora y el cartucho de batería con firmeza al colocar o quitar el cartucho. Si no se sujeta con firmeza la aspiradora y el cartucho de batería, puede ocasionar que se resbalen de sus manos resultando en daños a la aspiradora y al cartucho, así como lesiones a la persona.

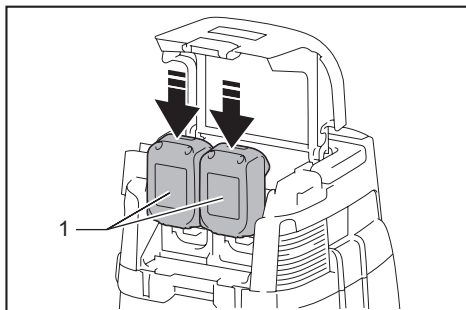
⚠PRECAUCIÓN: Tenga cuidado de no pellizcar sus dedos al abrir o cerrar la cubierta de la batería. El no hacerlo podría causar lesiones personales.

Para instalar el cartucho de batería, libere el seguro primero y luego abra la cubierta de la batería. Después de esto, inserte el cartucho de batería.



- 1. Seguro 2. Cubierta de la batería

Alinee la lengüeta en el cartucho de batería con la ranura en la carcasa y deslícelo en su lugar. Insértelo por completo hasta que quede asegurado en su lugar haciendo un pequeño clic. Luego cierre con el seguro la cubierta de la batería.



- 1. Cartucho de batería

Para quitar el cartucho de batería, sáquelo de la herramienta mientras desliza el botón enfrente del cartucho.

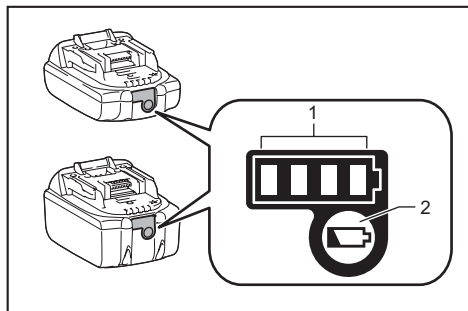
⚠️ PRECAUCIÓN: Siempre introduzca completamente el cartucho de batería hasta que el indicador rojo no pueda verse. De lo contrario, podría salirse accidentalmente de la aspiradora y ocasionarle lesiones a usted o a alguien a su alrededor.

⚠️ PRECAUCIÓN: No instale el cartucho de batería a la fuerza. Si el cartucho no se desliza al interior fácilmente, se debe a que no está siendo insertado correctamente.

NOTA: La aspiradora no funciona con un sólo cartucho de batería.

Indicación de la capacidad restante de la batería

Únicamente para cartuchos de batería con el indicador



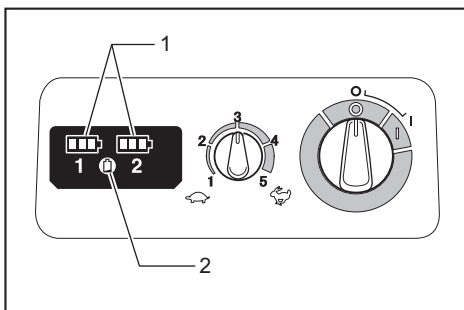
► 1. Luces indicadoras 2. Botón de verificación

Oprima el botón de verificación en el cartucho de la batería para que indique la capacidad restante de la batería. Las luces indicadoras se iluminarán por algunos segundos.

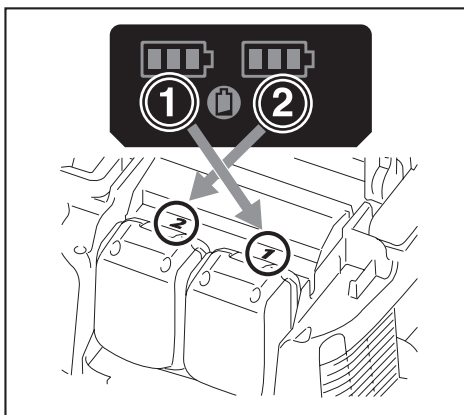
Luces indicadoras			Capacidad restante
Iluminadas	Apagadas	Parpadeando	
■ ■ ■ ■	□ □ □ □	▬ ▬	75% a 100%
■ ■ ■ □	□ □ □ □	▬ ▬	50% a 75%
■ ■ □ □	□ □ □ □	▬ ▬	25% a 50%
■ □ □ □	□ □ □ □	▬ ▬	0% a 25%
▬ □ □ □	□ □ □ □	▬ ▬	Cargar la batería.
■ ■ □ □	□ □ □ □	▬ ▬	La batería pudo haber funcionado mal.
□ □ □ □	■ ■ ■ ■	▬ ▬	

NOTA: Dependiendo de las condiciones de uso y la temperatura ambiente, la indicación podrá diferir ligeramente de la capacidad real.

Indicación de capacidad restante de la batería



► 1. Indicador de batería 2. Botón de verificación



Oprima el botón de verificación para indicar las capacidades restantes de la batería. Los indicadores de batería corresponden a cada batería.

Estado del indicador de batería			Capacidad restante de la batería
Encendido	Apagado	Parpadeando	
■ ■ ■ ■	□ □ □ □	▬ ▬	50% a 100%
■ ■ ■ □	□ □ □ □	▬ ▬	20% a 50%
■ □ □ □	□ □ □ □	▬ ▬	0% a 20%
▬ □ □ □	□ □ □ □	▬ ▬	Cargar la batería

NOTA: Si la aspiradora está encendida con el interruptor de modo en espera ajustado en "AUTO", el indicador de batería no funcionará.

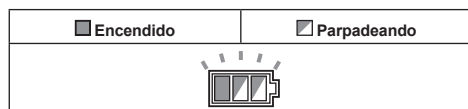
Sistema de protección para la herramienta/batería

La herramienta está equipada con un sistema de protección de la herramienta/batería. Este sistema corta en forma automática el suministro de energía al motor para prolongar la vida útil de la herramienta y la batería. La herramienta se detendrá automáticamente durante la operación si la herramienta o la batería se someten a una de las siguientes condiciones:

Protección contra sobrecarga

Cuando la herramienta se está utilizando de manera que causa que consuma una cantidad de corriente inusualmente alta, la herramienta se detiene automáticamente sin que haya indicación alguna. En este caso, apague la herramienta y detenga la aplicación que causó que la herramienta se sobrecargara. Luego encienda la herramienta para reiniciarla.

Protección contra sobrecalentamiento

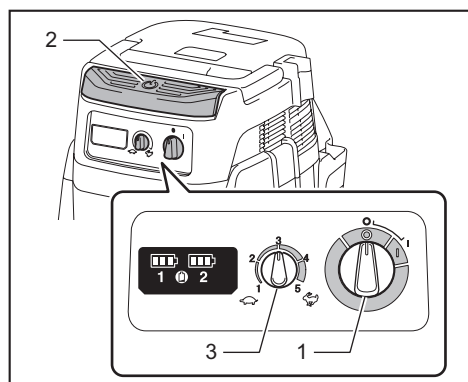


Cuando la herramienta se sobrecalienta, ésta se detiene automáticamente y el indicador de batería parpadea alrededor de 60 segundos. En este caso, espere a que la herramienta se enfríe antes de volver a encenderla.

Protección contra sobredescarga

Cuando la capacidad de la batería se reduce, la herramienta se detiene automáticamente. Si el producto no funciona incluso cuando los interruptores están siendo operados, retire las baterías de la herramienta y cárguelas.

Accionamiento del interruptor





- 1. Interruptor de modo en espera 2. Botón de encendido/apagado 3. Perilla de ajuste de la fuerza de succión

Para arrancar la aspiradora:

1. Ajuste el interruptor de modo en espera en el lado "I". La aspiradora se pondrá en el estado de modo en espera.
2. Oprima el botón de encendido/apagado. Para poner la aspiradora en el modo en espera, oprima nuevamente el botón de encendido/apagado. Para apagar la aspiradora, ajuste el interruptor de modo en espera en el lado "O".

La potencia de succión se puede ajustar según sus necesidades de trabajo.

La potencia de succión se puede incrementar girando la perilla de ajuste de la fuerza de succión del símbolo  al símbolo .

AVISO: Ajuste siempre el interruptor de modo en espera en el lado "O" cuando no vaya a utilizar la aspiradora durante un tiempo prolongado. La aspiradora consumirá energía durante el estado de modo en espera.

Parada de succión automática durante la operación para aspirar objetos húmedos

Únicamente para el modelo con filtro de tela

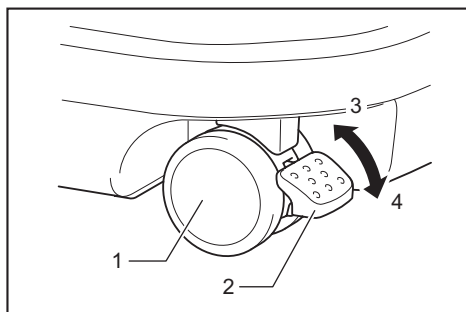
⚠ADVERTENCIA: No utilice el aparato durante un tiempo prolongado mientras el flotador esté funcionando. El usar la aspiradora con su flotador funcionando durante un tiempo prolongado podría causar un sobrecalentamiento y la deformación de la aspiradora.

⚠ADVERTENCIA: No aspire espuma ni jabón líquido. El aspirar espuma o jabón líquido podría causar que saliera espuma por la salida de aire antes de que el flotador comience a funcionar. Continuar usando el aparato en estas condiciones podría ocasionar una descarga eléctrica y la avería de la aspiradora.

La parada de succión automática sólo funciona cuando se usa con el flotador y la caja del flotador.

La aspiradora cuenta con un mecanismo de flotación que evita que se introduzca agua al motor cuando se aspira más de cierta cantidad de agua. Cuando el tanque se llena, la aspiradora deja de aspirar agua; apague la aspiradora y vacíe el tanque.

Bloqueo o desbloqueo de la rueda



- 1. Rueda 2. Palanca del tope 3. Posición LIBERADA 4. Posición BLOQUEADA

Es conveniente bloquear la rueda para almacenar la aspiradora, detener el trabajo momentáneamente y mantener la aspiradora inmóvil.

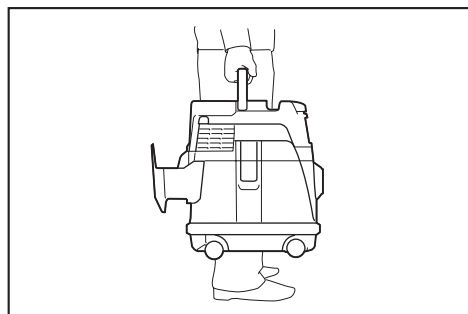
Para usar el tope, muévelo manualmente.

Para bloquear la rueda con el tope, baje la palanca del tope y la rueda ya no podrá girar. Para liberar la rueda de la posición bloqueada, levante la palanca del tope.

NOTA: Cuando mueva la aspiradora, asegúrese de que la rueda esté desbloqueada. El mover la aspiradora con la rueda en la posición bloqueada podría causar daños a la rueda.

Mango de transporte

Cuando transporte la aspiradora, sosténgala del mango ubicado en la cabeza. El mango en la cabeza es retráctil para guardarse cuando no se utilice.



MONTAJE

⚠PRECAUCIÓN: Asegúrese siempre de que la herramienta esté apagada y el cartucho de batería haya sido extraído antes de realizar cualquier trabajo en la misma.

⚠PRECAUCIÓN: Utilice siempre una máscara contra el polvo durante el ensamblado o mantenimiento.

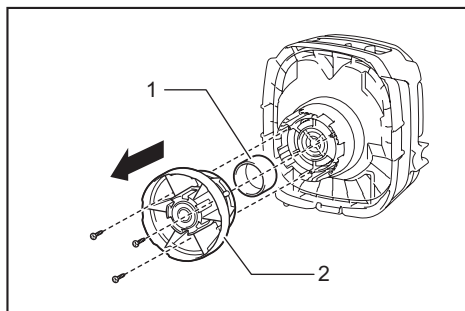
Instalación del filtro de polvo (HEPA) y el prefiltro (para polvo seco)

Accesorio opcional para el modelo con filtro de tela

⚠PRECAUCIÓN: Nunca aspire agua ni otros líquidos o polvo húmedo cuando utilice el filtro de polvo. El aspirar este tipo de objetos podría causar la avería del filtro de polvo.

Para usar el filtro de polvo:

1. Extraiga la caja del flotador y el flotador retirando los pernos.

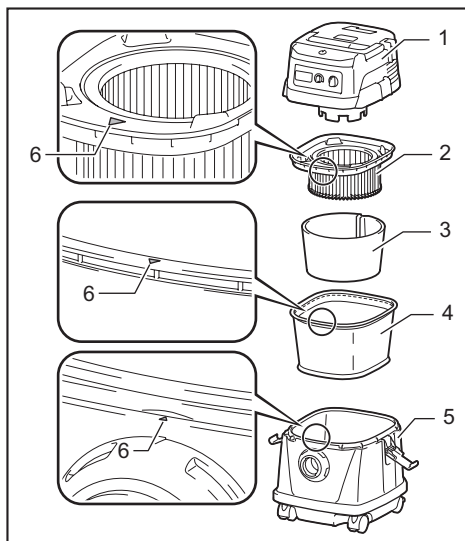


► 1. Flotador 2. Caja del flotador

2. Coloque el prefiltro en el tanque alineando las marcas de posición de montaje.

3. Instale el amortiguador en el filtro de polvo y luego colóquelos en el prefiltro alineando las marcas de posición de montaje.

4. Por último, instale la cubierta del tanque y asegúrela.



► 1. Cubierta del tanque 2. Filtro de polvo (HEPA)
3. Amortiguador 4. Prefiltro 5. Tanque 6. Marca de posición de montaje

AVISO: Antes de usar el filtro de polvo, asegúrese de que el prefiltro y el amortiguador siempre se utilicen juntos. El filtro de polvo no debe ser instalado solo.

Instalación del filtro de agua

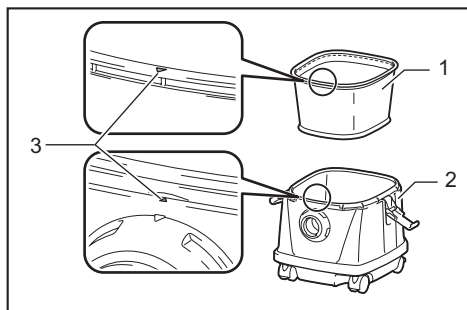
Accesorio opcional para el modelo con filtro de tela

⚠PRECAUCIÓN: Nunca aspire agua ni polvo húmedo sin el flotador y el filtro de tela o el filtro de agua.

⚠PRECAUCIÓN: Para aspirar polvo húmedo, asegúrese de que la caja del flotador y el flotador estén instalados en la aspiradora.

⚠PRECAUCIÓN: Cuando instale el filtro de agua en el tanque, fíjelo bien en la abertura del tanque de manera que el gancho del filtro de agua quede ensartado firmemente en la abertura del tanque y no quede espacio entre el filtro de agua y el tanque.

Para aspirar solamente agua o polvo húmedo, es más conveniente usar el filtro de agua que el filtro de tela. Cuando instale el filtro de agua, alinee su marca de posición de montaje con la del tanque.



► 1. Filtro de agua 2. Tanque 3. Marca de posición de montaje

NOTA: Se recomienda usar el filtro de agua cuando vaya a aspirar una gran cantidad de agua de manera repetida. De lo contrario, la capacidad de la aspiradora podría verse reducida si usa el filtro de tela.

Instalación de la bolsa de papel para polvo

Accesorio opcional

⚠ADVERTENCIA: Cuando use la bolsa de papel para polvo, utilice también junto con ésta el filtro de tela o el prefiltro preinstalado en la aspiradora. El no utilizar junto con ésta el filtro de tela/prefiltro podría ocasionar un ruido y calentamiento anormales provocando un incendio.

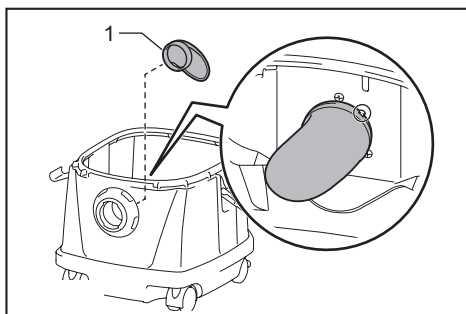
⚠PRECAUCIÓN: (Para el modelo con filtro de tela)

- Nunca aspire agua ni otros líquidos o polvo húmedo cuando utilice la bolsa de papel para polvo. El aspirar este tipo de objetos podría causar la avería de la bolsa de papel para polvo.
- Antes de usar la bolsa de papel para polvo, asegúrese de que el filtro de polvo (accesorio opcional), el amortiguador (accesorio opcional) y el prefiltro se utilicen siempre juntos.

⚠PRECAUCIÓN: (Para el modelo con filtro de polvo)

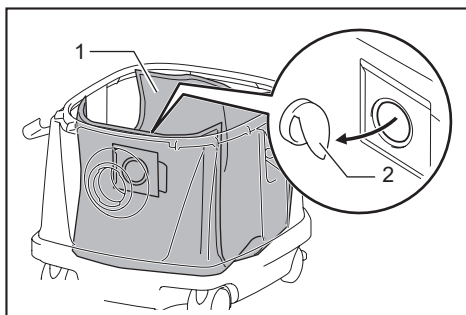
- Antes de usar la bolsa de papel para polvo, asegúrese de que el filtro de polvo, el amortiguador y el prefiltro se utilicen siempre juntos.

1. Retire el sujetador de goma.



► 1. Sujetador de goma

2. Extienda la bolsa de papel para polvo.
3. Alinee la abertura de la bolsa de papel para polvo con la abertura de succión de polvo de la aspiradora.
4. Inserte el cartón de la bolsa de papel para polvo en el sujetador de manera que quede colocado en el extremo más allá de la protuberancia del tope.

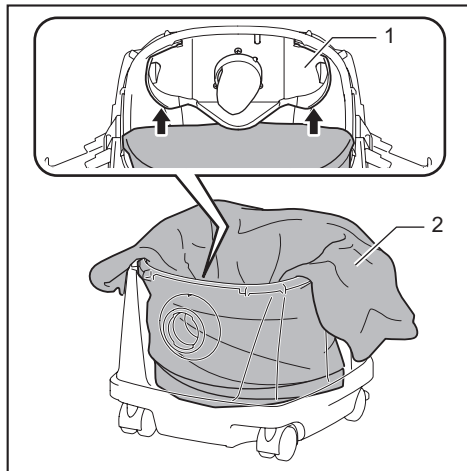


► 1. Bolsa de papel para polvo 2. Sujetador

Instalación de la bolsa de polietileno

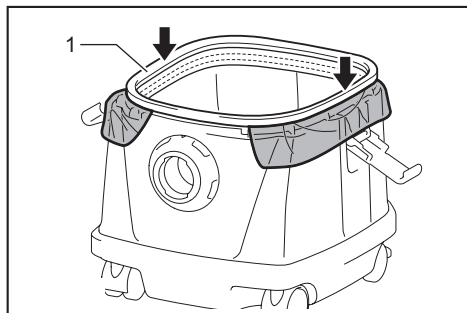
La aspiradora también se puede utilizar sin la bolsa de polietileno. Sin embargo, con el uso de la bolsa de polietileno resulta más fácil vaciar el tanque sin ensuciarse las manos.

Extienda la bolsa de polietileno en el tanque. Insértela entre la placa del sujetador y el tanque, y júlela hacia la entrada para la manguera.



► 1. Placa del sujetador 2. Bolsa de polietileno

Extienda la bolsa alrededor de la parte superior del tanque de manera que el borde del filtro de tela/prefiltro pueda agarrar y sujetar la bolsa firmemente.



► 1. Filtro de tela/prefiltro

NOTA: Se puede utilizar cualquier bolsa de polietileno disponible en el mercado. Se recomienda el uso de una con un grosor de 0,04 mm o más.

NOTA: Si se recolecta demasiado polvo la bolsa podría romperse fácilmente, por lo que debe evitar recolectar más de la mitad de la capacidad de la bolsa.

Vaciado de la bolsa de polietileno

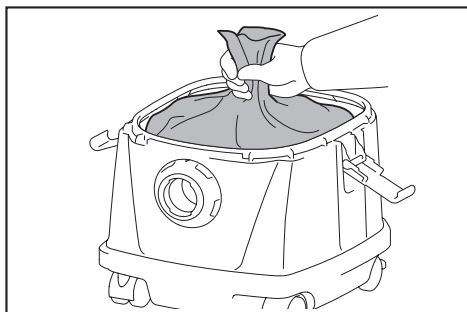
⚠ADVERTENCIA: Asegúrese siempre de que la aspiradora esté apagada y que el cartucho de batería haya sido extraído antes de vaciar la bolsa de polietileno. El no hacerlo podría ocasionar una descarga eléctrica y lesiones personales graves.

⚠PRECAUCIÓN: Evite los impactos fuertes sobre la caja del flotador y el tanque. Un impacto fuerte podría deformar y dañar las piezas.

⚠PRECAUCIÓN: Vacíe el tanque por lo menos una vez al día, aunque esto dependerá del volumen de polvo aspirado en el tanque. De lo contrario, la fuerza de succión se vería reducida y el motor podría averiarse.

⚠PRECAUCIÓN: Evite agarrar el gancho mientras vacía el tanque. El agarrar el gancho podría ocasionar que éste se rompa.

Desenganche y levante la cubierta del tanque. Sacuda el polvo del filtro de tela/prefiltro y luego retire la bolsa de polietileno del tanque.



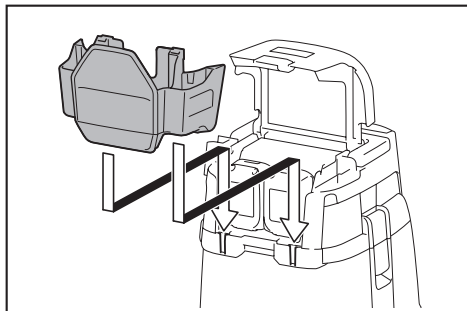
NOTA: Retire con cuidado la bolsa de polietileno del tanque de manera que ésta no pueda quedar enganchada y romperse por la protuberancia en el interior del tanque al vaciarla.

NOTA: Vacíe la bolsa de polietileno antes de que se llene. Demasiado polvo en el tanque podría causar que la bolsa de polietileno se rompa.

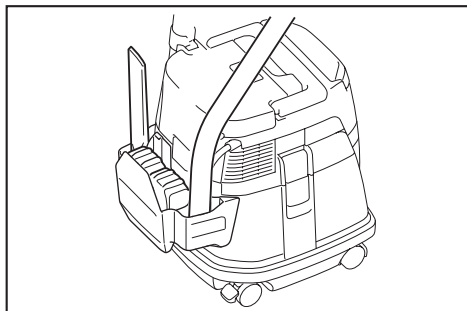
Instalación de la caja de herramientas

1. Libere el seguro de la cubierta de la batería y ábrala.
2. Coloque los rieles en la caja de herramientas a lo largo de las ranuras en la carcasa.

3. Cierre la cubierta de la batería y ponga el seguro.



La caja de herramientas resulta conveniente para guardar baterías, tubos o bocas.

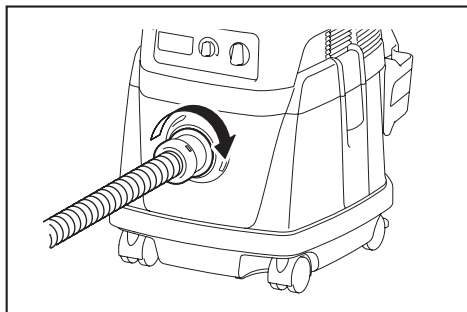


Conexión de la manguera

AVISO: Nunca fuerce la manguera para doblarla o aplastarla. Nunca mueva la aspiradora tomándola de la manguera. El forzar, aplastar y jalar la manguera podría ocasionar que ésta se averíe o se deforme.

AVISO: Cuando aspire residuos grandes tales como los generados al tallar con cepillo, polvo de concreto o similares que no sean residuos pequeños, utilice la manguera con diámetro interior de 38 mm (accesorio opcional). El usar la manguera con diámetro interior de 28 mm (accesorio opcional) podría causar obstrucciones y daños a la manguera.

Inserte la manguera en el puerto de montaje del tanque y gírela en el sentido de las manecillas del reloj hasta que quede asegurada.

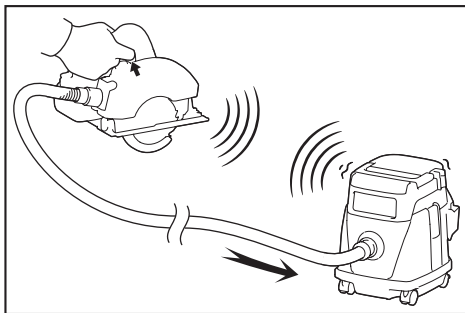


FUNCIÓN DE ACTIVACIÓN INALÁMBRICA

Para el modelo XCV16 únicamente

Lo que puede hacer con la función de activación inalámbrica

La función de activación inalámbrica permite una operación limpia y cómoda. Si conecta a la aspiradora una herramienta compatible, podrá hacer que la aspiradora funcione automáticamente al activar el interruptor de la herramienta.



AVISO: Asegúrese de consultar el manual de instrucciones de la herramienta cuando utilice la aspiradora con la función de activación inalámbrica.

AVISO: No desarme ni modifique la unidad inalámbrica.

AVISO: Cierre siempre la tapa de la unidad inalámbrica en la herramienta durante la operación o el almacenamiento.

AVISO: No retire la unidad inalámbrica de la herramienta mientras se esté suministrando energía a la herramienta. El hacerlo podría causar una avería de la unidad inalámbrica.

AVISO: No oprima el botón de activación inalámbrica demasiado fuerte ni lo haga con ningún objeto que tenga un borde filoso.

NOTA: La activación inalámbrica requiere que la unidad inalámbrica esté equipada con herramientas Makita.

NOTA: Antes de usar por primera vez la función de activación inalámbrica con cada herramienta, es necesario registrar la herramienta. Una vez finalizado el registro de la herramienta, éste no será necesario de nuevo a menos que haya sido cancelado.

NOTA: Antes del registro, asegúrese de que la unidad inalámbrica haya sido insertada correctamente en la herramienta.

NOTA: Se puede registrar hasta 10 herramientas en una aspiradora. Si más de 10 herramientas están registradas en la aspiradora, la herramienta registrada al principio se cancelará automáticamente.

NOTA: La posición del botón de activación inalámbrica varía en función de la herramienta.

NOTA: La aspiradora también puede ponerse en marcha oprimiendo el botón de encendido/apagado cuando el interruptor de modo en espera está ajustado en "AUTO". Sin embargo, el botón de encendido/apagado no se activará cuando la función de activación inalámbrica se esté utilizando.

Registro de herramientas para la aspiradora

NOTA: Para el registro de la herramienta, se requiere una herramienta Makita compatible con la función de activación inalámbrica.

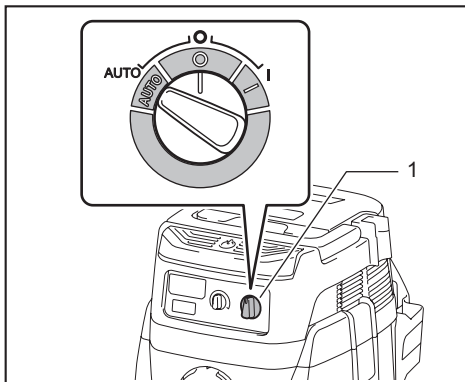
NOTA: Termine de instalar la unidad inalámbrica en la herramienta antes de comenzar con el registro de la herramienta.

NOTA: Durante el registro de la herramienta, no jale el gatillo interruptor en la herramienta ni active el interruptor de encendido/apagado en la aspiradora.

NOTA: Consulte también el manual de instrucciones de la herramienta.

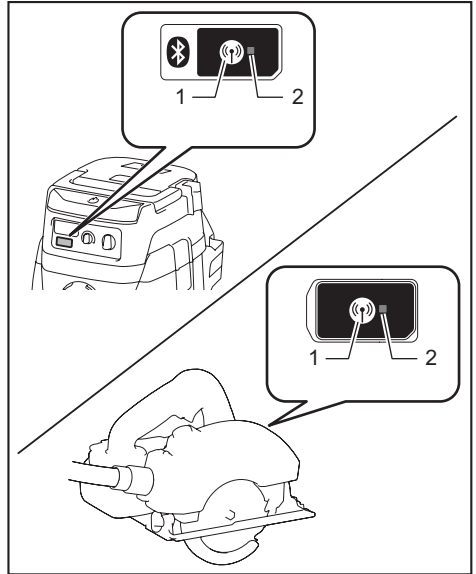
Si desea activar la aspiradora junto con el interruptor de activación de la herramienta, termine antes con el registro de la herramienta.

1. Instale las baterías en la aspiradora y en la herramienta.
2. Ajuste el interruptor de modo en espera en la aspiradora en "AUTO".



► 1. Interruptor de modo en espera

3. Oprima el botón de activación inalámbrica en la aspiradora durante 3 segundos hasta que la luz indicadora de activación inalámbrica parpadee en verde. Y luego oprima el botón de activación inalámbrica en la herramienta de la misma manera.



► 1. Botón de activación inalámbrica 2. Luz indicadora de activación inalámbrica

Si la aspiradora y la herramienta han sido conectadas exitosamente, las luces indicadoras de activación inalámbrica se encenderán en verde durante 2 segundos y comenzarán a parpadear en azul.

NOTA: Las luces indicadoras de activación inalámbrica terminarán parpadeando en verde después de un lapso de 20 segundos. Oprima el botón de activación inalámbrica en la herramienta mientras la luz indicadora de activación inalámbrica en la aspiradora esté parpadeando. Si la luz indicadora de activación inalámbrica no parpadea en verde, oprima el botón de activación inalámbrica durante un lapso breve y vuelva a mantenerlo oprimido.

NOTA: Cuando realice dos o más registros de herramientas para una aspiradora, termine el registro de las herramientas de uno en uno.

Inicio de la función de activación inalámbrica

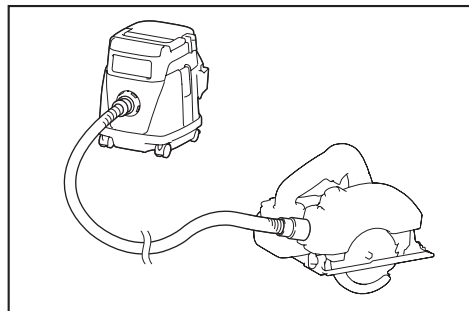
NOTA: Termine con el registro de la herramienta en la aspiradora para la activación inalámbrica.

NOTA: Coloque siempre la aspiradora de manera que pueda ver el estado de la luz indicadora de activación inalámbrica.

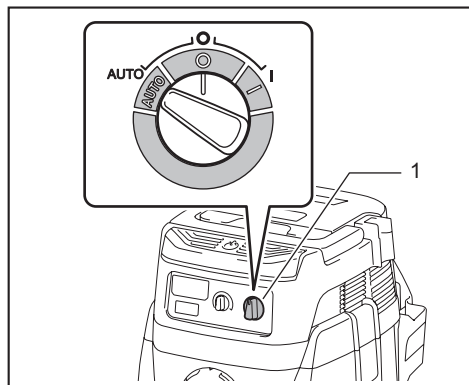
NOTA: Consulte también el manual de instrucciones de la herramienta.

Después de registrar una herramienta en la aspiradora, esta última se activará automáticamente junto con el interruptor de activación de la herramienta.

1. Instale la unidad inalámbrica en la herramienta.
2. Conecte la manguera de la aspiradora a la herramienta.

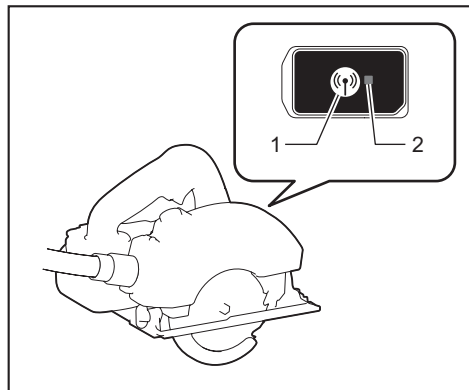


3. Ajuste el interruptor de modo en espera en la aspiradora en "AUTO".



- 1. Interruptor de modo en espera

4. Oprima el botón de activación inalámbrica en la herramienta durante un lapso breve. La luz indicadora de activación inalámbrica parpadeará en azul.



- 1. Botón de activación inalámbrica 2. Luz indicadora de activación inalámbrica

5. Jale el gatillo interruptor de la herramienta. Verifique que la aspiradora funcione mientras jala el gatillo interruptor en la herramienta.

Para detener la activación inalámbrica, oprima el botón de activación inalámbrica en la herramienta, o ajuste el interruptor de modo en espera en la aspiradora en "I" o en "O".

NOTA: La luz indicadora de activación inalámbrica en la herramienta dejará de parpadear en azul cuando no haya operación durante 2 horas. En este caso, ajuste el interruptor de modo en espera en la aspiradora en "AUTO" y oprima el botón de activación inalámbrica en la herramienta nuevamente.

NOTA: La aspiradora se pondrá en marcha/detendrá con un retraso. Existirá un desfase cuando la aspiradora detecte la activación del interruptor de la herramienta.

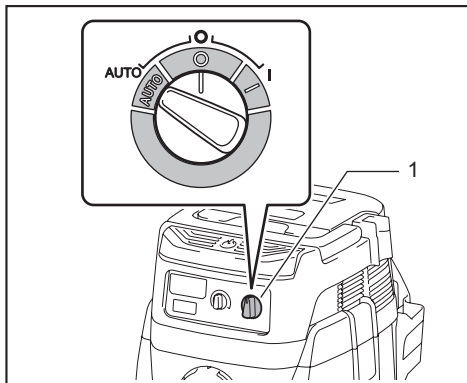
NOTA: La distancia de transmisión de la unidad inalámbrica podrá variar en función del lugar y las circunstancias de los alrededores.

NOTA: Cuando dos o más herramientas estén registradas en una aspiradora, esta última podrá comenzar a funcionar incluso si usted no jala el gatillo interruptor debido a que otro usuario está utilizando la función de activación inalámbrica.

Cancelación del registro de herramientas para la aspiradora

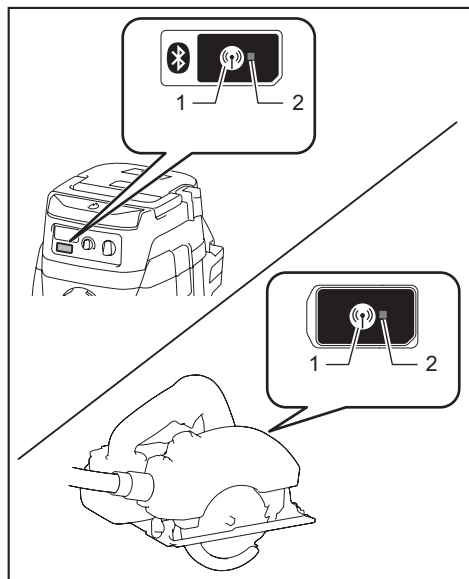
Realice el siguiente procedimiento para cancelar el registro de la herramienta para la aspiradora.

1. Instale las baterías en la aspiradora y en la herramienta.
2. Ajuste el interruptor de modo en espera en la aspiradora en "AUTO".



- 1. Interruptor de modo en espera

- Oprima el botón de activación inalámbrica en la aspiradora durante 6 segundos. La luz indicadora de activación inalámbrica parpadeará en verde y luego se pondrá en rojo. Después de eso, oprima el botón de activación inalámbrica en la herramienta de la misma manera.



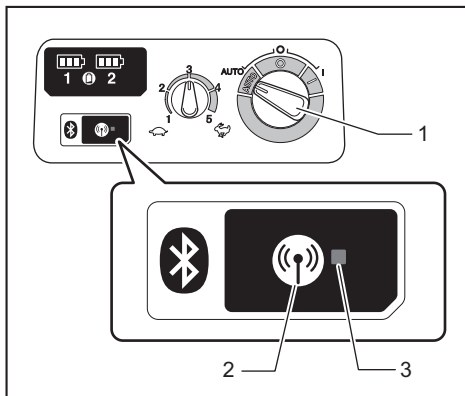
- 1. Botón de activación inalámbrica 2. Luz indicadora de activación inalámbrica

Si la cancelación se realiza exitosamente, las luces indicadoras de activación inalámbrica se encenderán en rojo durante 2 segundos y comenzarán a parpadear en azul.

NOTA: Las luces indicadoras de activación inalámbrica terminarán parpadearando en rojo después de un lapso de 20 segundos. Oprima el botón de activación inalámbrica en la herramienta mientras la luz indicadora de activación inalámbrica en la aspiradora esté parpadearando. Si la luz indicadora de activación inalámbrica no parpadea en rojo, oprima el botón de activación inalámbrica durante un lapso breve y vuelva a mantenerlo oprimido.

Borrado de todos los registros de herramientas

Usted puede borrar todos los registros de herramientas de la aspiradora como se indica a continuación.

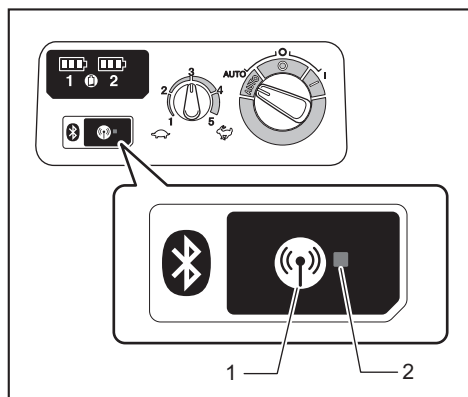


- 1. Interruptor de modo en espera 2. Botón de activación inalámbrica 3. Luz indicadora de activación inalámbrica

- Instale las baterías en la aspiradora.
- Ajuste el interruptor de modo en espera en "AUTO".
- Mantenga oprimido el botón de activación inalámbrica durante aproximadamente 6 segundos hasta que la luz indicadora de activación inalámbrica parpadee en rojo (cerca de dos veces durante un segundo).
- Cuando la luz indicadora de activación inalámbrica comience a parpadear en rojo, suelte el botón de activación inalámbrica. Posteriormente, vuelva a mantener oprimido el botón de activación inalámbrica alrededor de 6 segundos.
- Cuando la luz indicadora de activación inalámbrica comience a parpadear rápidamente en rojo (cerca de 5 veces durante un segundo), suelte el botón de activación inalámbrica. Cuando la luz indicadora de activación inalámbrica se encienda en rojo y luego se apague, todos los registros de herramientas se habrán borrado.

NOTA: Si la luz indicadora de activación inalámbrica no parpadea en rojo, oprima el botón de activación inalámbrica durante un lapso breve e inténtelo nuevamente.

Descripción del estado de la luz indicadora de activación inalámbrica



- 1. Botón de activación inalámbrica 2. Luz indicadora de activación inalámbrica

La luz indicadora de activación inalámbrica muestra el estado de la función de activación inalámbrica. Consulte la tabla a continuación para ver qué significa el estado de la luz indicadora.

Estado	Luz indicadora de activación inalámbrica			Descripción
	Color	Encendida	Parpadeando	
En espera	Azul	<input checked="" type="checkbox"/>	Aspiradora: continua Herramienta: 2 horas	Se está esperando el registro de la herramienta o la función de activación inalámbrica están disponibles. La luz indicadora en la aspiradora parpadea cuando el interruptor de modo en espera está ajustado en "AUTO". La luz indicadora en la herramienta parpadea cuando se presiona el botón de activación inalámbrica. La luz indicadora en la herramienta se apaga automáticamente cuando no se realiza ninguna operación durante 2 horas.
		<input type="checkbox"/>	Cuando la herramienta está funcionando.	La activación inalámbrica de la aspiradora está disponible y la herramienta está funcionando.
Registro de la herramienta	Verde	<input checked="" type="checkbox"/>	20 segundos	Ya se puede realizar el registro de la herramienta. Se está buscando la herramienta que se va a registrar.
		<input type="checkbox"/>	2 segundos	El registro de la herramienta ha terminado. La luz indicadora de activación inalámbrica comenzará a parpadear en azul.
Cancelación/borrado del registro de herramientas	Rojo	<input checked="" type="checkbox"/> (lento: 2 veces/s)	20 segundos	Ya se puede cancelar el registro de la herramienta. Se está buscando la herramienta que se va a cancelar.
		<input checked="" type="checkbox"/> (rápido: 5 veces/s)	Cuando el botón de activación inalámbrica es presionado.	Ya se pueden borrar todos los registros de herramientas.
		<input type="checkbox"/>	2 segundos	El registro de la herramienta ha sido cancelado/borrado. La luz indicadora de activación inalámbrica comenzará a parpadear en azul.
Otros	Rojo	<input type="checkbox"/>	3 segundos	La energía es suministrada a la unidad inalámbrica y la función de activación inalámbrica está arrancando.
		Apagada	-	-

DetECCIÓN Y SOLUCIÓN DE PROBLEMAS PARA LA FUNCIÓN DE ACTIVACIÓN INALÁMBRICA

Antes de solicitar alguna reparación, primero realice una inspección por su cuenta. Si detecta algún problema que no esté explicado en el manual, no intente desensamblar la herramienta. En vez de esto, solicite la reparación a un centro de servicio autorizado de Makita, usando siempre piezas de repuesto Makita.

Estado de la anomalía	Causa probable (avería)	Remedio
La luz indicadora de activación inalámbrica no enciende/parpadea.	La unidad inalámbrica no está instalada en la herramienta. La unidad inalámbrica está instalada incorrectamente en la herramienta.	Instale la unidad inalámbrica de forma correcta en la herramienta.
	La terminal de la unidad inalámbrica y/o la ranura está sucia.	Retire con cuidado el polvo y la suciedad en la terminal de la unidad inalámbrica y limpie la ranura de la herramienta.
	El botón de activación inalámbrica en la herramienta no se ha oprimido.	Oprima el botón de activación inalámbrica en la herramienta durante un lapso breve.
	El interruptor de modo en espera en la aspiradora no está ajustado en "AUTO".	Ajuste el interruptor de modo en espera en la aspiradora en "AUTO".
	No hay suministro de energía.	Suministre energía a la herramienta y a la aspiradora.
No se puede terminar/cancelar el registro de la herramienta exitosamente.	La unidad inalámbrica no está instalada en la herramienta. La unidad inalámbrica está instalada incorrectamente en la herramienta.	Instale la unidad inalámbrica de forma correcta en la herramienta.
	La terminal de la unidad inalámbrica y/o la ranura está sucia.	Retire con cuidado el polvo y la suciedad en la terminal de la unidad inalámbrica y limpie la ranura de la herramienta.
	El interruptor de modo en espera en la aspiradora no está ajustado en "AUTO".	Ajuste el interruptor de modo en espera en la aspiradora en "AUTO".
	No hay suministro de energía.	Suministre energía a la herramienta y a la aspiradora.
	Operación incorrecta	Oprima el botón de activación inalámbrica durante un lapso breve y realice los procedimientos de registro/cancelación de la herramienta nuevamente.
	La herramienta y la aspiradora están lejos una de la otra (fuera del rango de transmisión).	Acerque más la herramienta a la aspiradora. La distancia máxima de transmisión es de aproximadamente 10 m, pero puede variar en función de las circunstancias.
	Antes de terminar el registro/cancelación de la herramienta; - el gatillo interruptor en la herramienta se ha jalado; o - el botón de encendido/apagado en la aspiradora está activado.	Oprima el botón de activación inalámbrica durante un lapso breve y realice los procedimientos de registro/cancelación de la herramienta nuevamente.
	Los procedimientos de registro para la herramienta o la aspiradora no se han terminado.	Realice los procedimientos de registro tanto para la herramienta como para la aspiradora al mismo tiempo.
La perturbación radioeléctrica generada por otros aparatos que emiten ondas de radio de alta intensidad.	Mantenga la herramienta y la aspiradora lejos de aparatos tales como dispositivos Wi-Fi y hornos de microondas.	

Estado de la anomalía	Causa probable (avería)	Remedio
La aspiradora no funciona junto con el interruptor de activación de la herramienta.	La unidad inalámbrica no está instalada en la herramienta. La unidad inalámbrica está instalada incorrectamente en la herramienta.	Instale la unidad inalámbrica de forma correcta en la herramienta.
	La terminal de la unidad inalámbrica y/o la ranura está sucia.	Retire con cuidado el polvo y la suciedad en la terminal de la unidad inalámbrica y limpie la ranura de la herramienta.
	El botón de activación inalámbrica en la herramienta no se ha oprimido.	Oprima el botón de activación inalámbrica durante un lapso breve y asegúrese de que la luz indicadora de activación inalámbrica esté parpadeando en azul.
	El interruptor de modo en espera en la aspiradora no está ajustado en "AUTO".	Ajuste el interruptor de modo en espera en la aspiradora en "AUTO".
	Más de 10 herramientas están registradas en la aspiradora.	Vuelva a realizar el registro de la herramienta. Si más de 10 herramientas están registradas en la aspiradora, la herramienta registrada al principio se cancelará automáticamente.
	La aspiradora borró todos los registros de herramientas.	Vuelva a realizar el registro de la herramienta.
	No hay suministro de energía.	Suministre energía a la herramienta y a la aspiradora.
	La herramienta y la aspiradora están lejos una de la otra (fuera del rango de transmisión).	Acerque más la herramienta a la aspiradora. La distancia máxima de transmisión es de aproximadamente 10 m, pero puede variar en función de las circunstancias.
	La perturbación radioeléctrica generada por otros aparatos que emiten ondas de radio de alta intensidad.	Mantenga la herramienta y la aspiradora lejos de aparatos tales como dispositivos Wi-Fi y hornos de microondas.
La aspiradora funciona aun cuando el gatillo interruptor de la herramienta no ha sido jalado.	Otros usuarios están usando la activación inalámbrica de la aspiradora con sus herramientas.	Apague el botón de activación inalámbrica de las demás herramientas o cancele el registro de dichas herramientas.
No se pueden borrar todos los registros de herramientas en la aspiradora.	El botón de activación inalámbrica en la herramienta está oprimido.	Oprima el botón de activación inalámbrica en la aspiradora para borrar todos los registros de herramientas.
	El interruptor de modo en espera en la aspiradora no está ajustado en "AUTO".	Ajuste el interruptor de modo en espera en la aspiradora en "AUTO".
	El botón de activación inalámbrica no se está manteniendo oprimido de forma correcta.	Mantenga oprimido el botón de activación inalámbrica durante más de 6 segundos y luego suéltelo cuando la luz indicadora de activación inalámbrica parpadee en rojo. Mantenga oprimido el botón de activación inalámbrica durante más de 6 segundos nuevamente hasta que el botón de activación inalámbrica parpadee rápidamente en rojo y luego suelte el botón.

MANTENIMIENTO

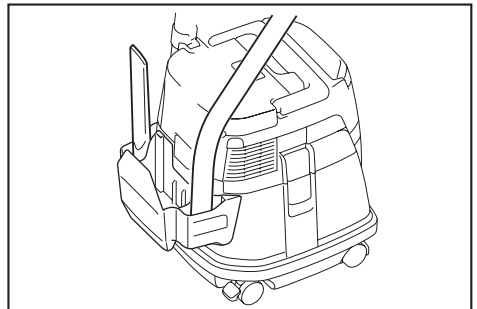
⚠PRECAUCIÓN: Asegúrese siempre de que la herramienta esté apagada y el cartucho de batería extraído antes de intentar realizar una inspección o mantenimiento.

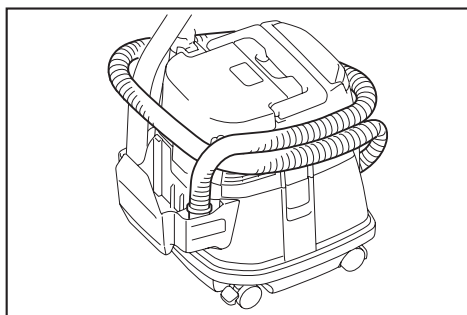
AVISO: Nunca use gasolina, bencina, diluyente (tíner), alcohol o sustancias similares. Puede que esto ocasione grietas o descoloramiento.

Para mantener la SEGURIDAD y FIABILIDAD del producto, las reparaciones, y cualquier otra tarea de mantenimiento o ajuste deberán ser realizadas en centros de servicio autorizados o de fábrica Makita, empleando siempre repuestos Makita.

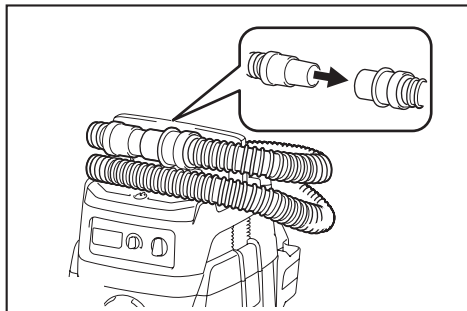
Almacenamiento de los accesorios

Los tubos se pueden colocar en el portatubos cuando no vaya a utilizar la aspiradora por poco tiempo.





La manguera se puede guardar alrededor de la herramienta conectando los extremos.

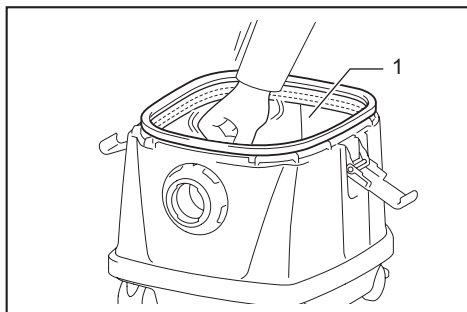


Limpieza del filtro de tela

Únicamente para el modelo con filtro de tela

La obstrucción del filtro de tela causa que el desempeño de la succión sea deficiente. Limpie el filtro de tela ocasionalmente.

Para eliminar el polvo o las partículas adheridos al filtro de tela, sacuda con rapidez varias veces la parte inferior del marco.



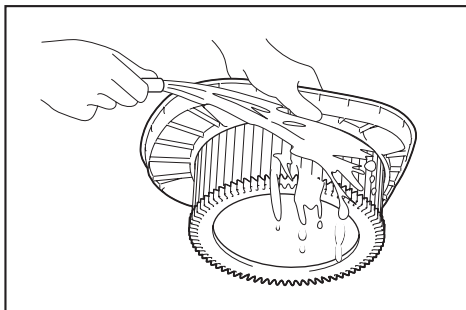
► 1. Filtro de tela

Limpieza del filtro de polvo (HEPA) y el prefiltro

Únicamente para el modelo con filtro de polvo

La obstrucción del filtro de polvo, el prefiltro y el amortiguador causa que el desempeño de la succión sea deficiente. Limpie los filtros y amortiguadores ocasionalmente.

Para eliminar el polvo o las partículas adheridos a los filtros, sacuda con rapidez varias veces la parte inferior del marco.



De vez en cuando lave el filtro de polvo con agua, enjuáguelo y séquelo bien a la sombra antes de usarlo. Nunca lave los filtros en la lavadora.

NOTA: No frote ni raye el filtro de polvo, el prefiltro o el amortiguador con objetos duros tales como un cepillo y una pala.

NOTA: Los filtros se desgastan con el tiempo. Se recomienda contar con piezas de repuesto.

ACCESORIOS OPCIONALES

⚠PRECAUCIÓN: Estos accesorios o aditamentos están recomendados para utilizarse con su herramienta Makita especificada en este manual. El empleo de cualquier otro accesorio o aditamento puede conllevar el riesgo de lesiones personales. Utilice los accesorios o aditamentos solamente para su fin establecido.

Si necesita cualquier ayuda para más detalles en relación con estos accesorios, pregunte a su centro de servicio local Makita.

- Manguera
- Boca delantera (22, 24, 38)
- Tubo recto
- Boquilla para esquinas
- Cepillo redondo
- Filtro de polvo, HEPA (para polvo seco)
- Amortiguador
- Prefiltro
- Conjunto de boquillas
- Tubo curvo

- Bolsa de polietileno
- Bolsa de papel para polvo
- Juego de sujetadores
- Filtro de agua (opcional para el modelo con filtro de tela)
- Batería y cargador originales de Makita

NOTA: Algunos de los artículos en la lista pueden incluirse en el paquete de la herramienta como accesorios estándar. Éstos pueden variar de país a país.

GARANTÍA LIMITADA DE MAKITA

Ésta Garantía no aplica para México

Consulte la hoja de la garantía anexa para ver los términos más vigentes de la garantía aplicable a este producto. En caso de no disponer de esta hoja de garantía anexa, consulte los detalles sobre la garantía descritos en el sitio web de su país respectivo indicado a continuación.

Estados Unidos de América: www.makitatools.com

Canadá: www.makita.ca

Otros países: www.makita.com

< USA only >

WARNING

Some dust created by power sanding, sawing, grinding, drilling, and other construction activities contains chemicals known to the State of California to cause cancer, birth defects or other reproductive harm. Some examples of these chemicals are:

- lead from lead-based paints,
- crystalline silica from bricks and cement and other masonry products, and
- arsenic and chromium from chemically-treated lumber.

Your risk from these exposures varies, depending on how often you do this type of work. To reduce your exposure to these chemicals: work in a well ventilated area, and work with approved safety equipment, such as those dust masks that are specially designed to filter out microscopic particles.

< Sólo en los Estados Unidos >

ADVERTENCIA

Algunos polvos creados por el lijado, aserrado, esmerilado, taladrado y otras actividades de la construcción contienen sustancias químicas reconocidas por el Estado de California como causantes de cáncer, defectos de nacimiento y otros peligros de reproducción. Algunos ejemplos de estos productos químicos son:

- plomo de pinturas a base de plomo,
- sílice cristalino de ladrillos y cemento y otros productos de albañilería, y
- arsénico y cromo de maderas tratadas químicamente.

El riesgo al que se expone varía, dependiendo de la frecuencia con la que realice este tipo de trabajo. Para reducir la exposición a estos productos químicos: trabaje en un área bien ventilada y póngase el equipo de seguridad indicado, tal como las máscaras contra polvo que están especialmente diseñadas para filtrar partículas microscópicas.

Makita Corporation

3-11-8, Sumiyoshi-cho,
Anjo, Aichi 446-8502 Japan

www.makita.com

885718-949
XCV14-1
EN, ESMX
20190206