



# 20" 25.4 cc MM4® 4-Stroke Engine Articulating Hedge Trimmer

Model EN4950H

Articulating Gear Case with 13 Angle Settings for Efficient Trimming of Overhead and Low-Lying Hedges



## PERFORMANCE

Powerful fuel efficient 25.4 cc (1.1 HP), MM4® commercial duty engine



## VERSATILITY

13 angle settings for efficient trimming of overhead and low-lying hedges



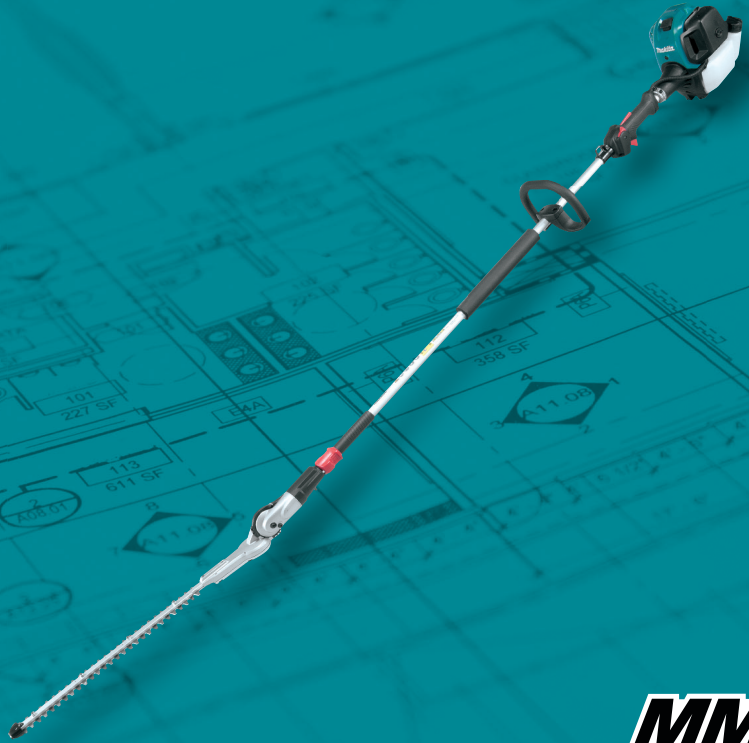
## CONVENIENCE

Blade can be folded along shaft for convenient transport and storage



## COMFORT

Ergonomically designed rubberized soft grip provides increased comfort



## FEATURES

- Steel drive shaft for less vibration and longer equipment life
- 20" double-sided blade with high blade speed (4,200 SPM) for efficient cutting
- Angle change lever quickly and easily adjusts blade angle
- 180° blade adjustment allows blade to be positioned along shaft for convenient transport and storage
- Commercial duty dual-stage air filter with large sealing areas is replaceable and easily accessible
- Built-in clutch disengages blade when folded to 180° position for transport
- Compact design with less weight (only 15.6 lbs.)
- Translucent fuel tank with large opening for easier refueling
- Captured control wires engineered to prevent snagging for improved durability

## SPECIFICATIONS

Engine Displacement (cc)	25.4 cc
Engine (HP)	1.1 HP
Blade Length	20"
Blade Speed	4,200 SPM
Fuel Type	Unleaded gas
Fuel Tank Capacity	20.3 oz.
Crank Case Capacity	2.7 oz.
Overall Length	99"
Dry Weight	15.6 lbs.
UPC Code	088381-641876

## STANDARD EQUIPMENT

- Shear Blade (725187-4)
- Blade Cover (452328-6)

## OPTIONAL ACCESSORIES

- 4-Cycle Engine Oil, 10W-30, 2.7 oz. (195826-4)
- 4-Cycle Engine Oil, 10W-30, 2.7 oz., 48/pk (195826-4-48)