

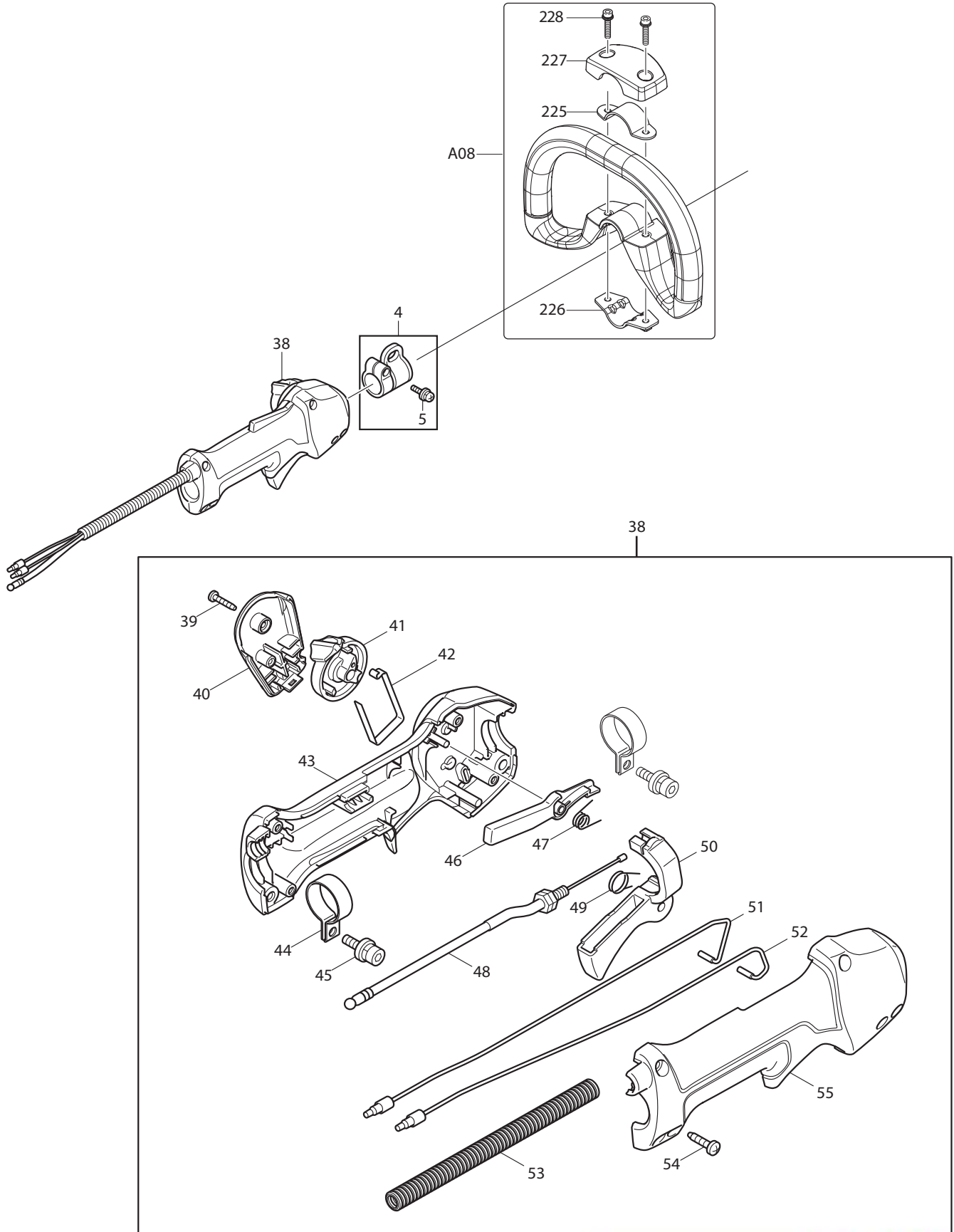


PARTS BREAKDOWN

EM2650LH

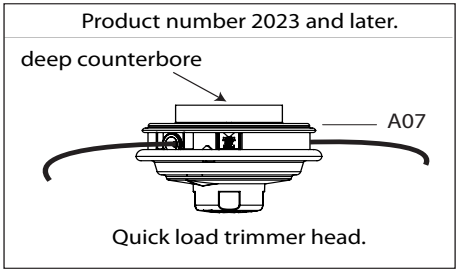
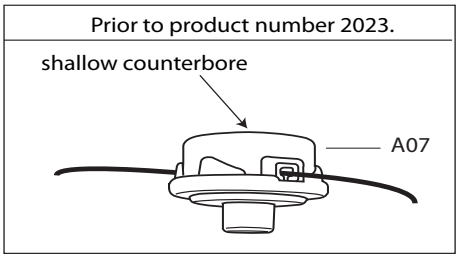
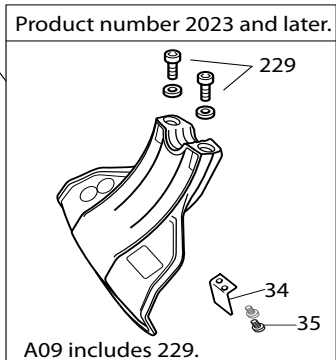
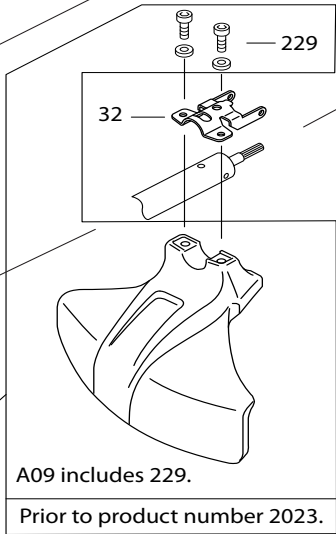
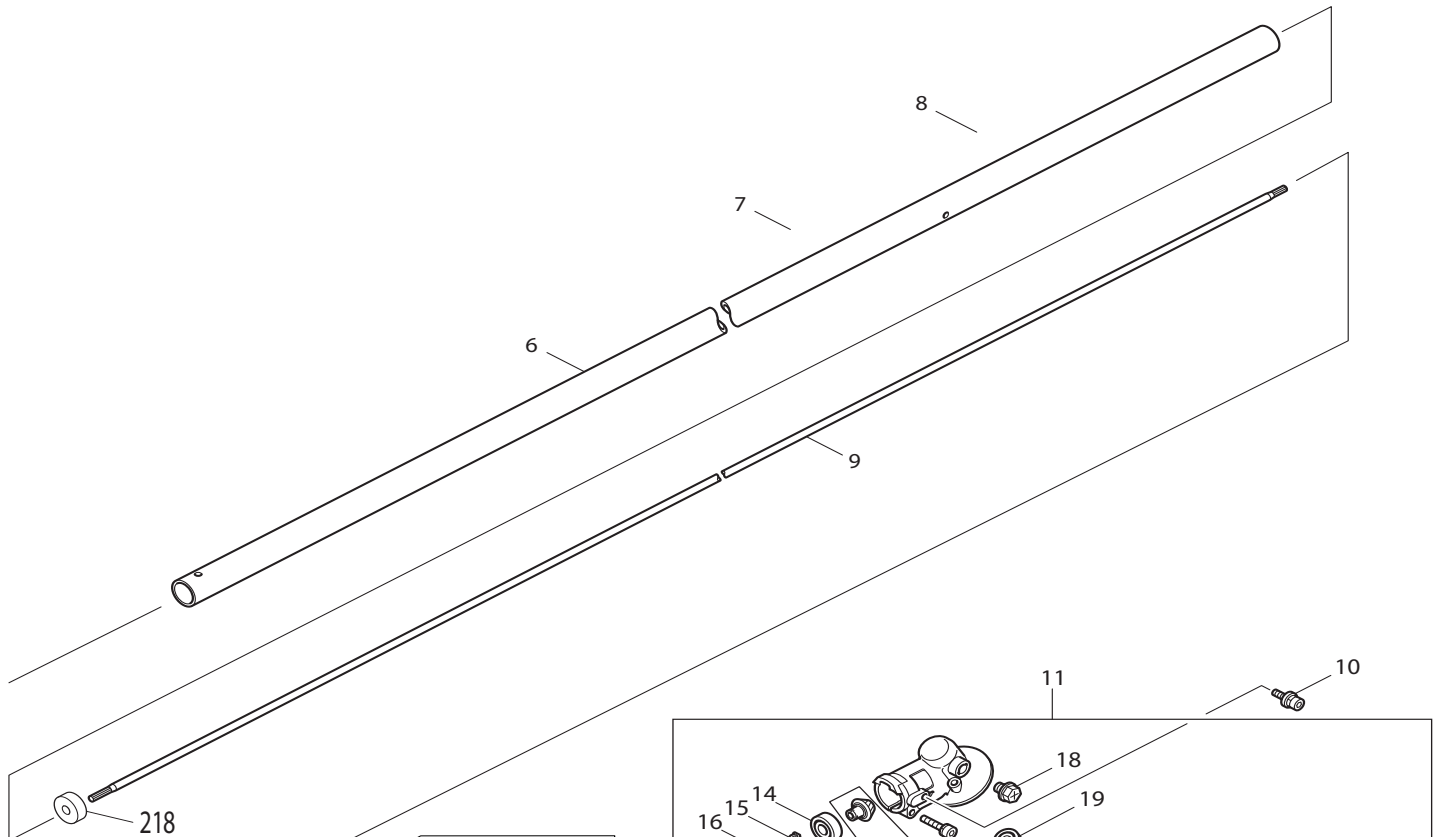
EM2652LHN

MS-256.4 C



Products with multiple versions are listed in subsiding order with the newest version on top not indented.

Section	Fig. No.	Part No.	Description	EM2650LH	MS-256.4 C	EM2652LHN	Tech Bulletin	Notes
1	1	195626-2	LOOP HANDLE SET	1	1	1		
1	4	195143-2	HANGER SET	1	1	1		INC. 5
1	5	911233-1	PAN HEAD SCREW M5X20	1	1	1		
1	38	126488-7	CONTROL LEVER ASS'Y	1	1	1		
1	38	125776-9	CONTROL LEVER ASSEMBLY	1	1	1		INC. 39-55
1	39	266130-9	TAPPING SCREW BIND PT 3X16	1	1	1		
1	40	451595-0	SWITCH COVER	1	1	1		
1	41	451594-2	SWITCH LEVER	1	1	1		
1	42	232251-9	LEAF SPRING	1	1	1		
1	43	188832-6	LEVER CASE SET	1	1	1		INC. 55
1	44	346248-3	PIPE CLAMP 24	2	2	2		
1	45	922218-2	H.S.H.BOLT M5X14 WITH WR	2	2	2		
1	46	451593-4	LOCK LEVER	1	1	1		
1	47	233541-3	TORSION SPRING 7	1	1	1		
1	48	168571-4	CONTROL CABLE	1	1	1		
1	49	233540-5	TORSION SPRING 11	1	1	1		
1	50	451592-6	THROTTLE LEVER	1	1	1		
1	51	638714-7	LEAD UNIT (LONG,MALE)	1	1	1		
1	52	638713-9	LEAD UNIT (SHORT,FEMALE)	1	1	1		
1	53	452071-7	CORRUGATE TUBE	1	1	1		
1	54	266326-2	TAPPING SCREW 4X18	4	4	4		
1	55	188832-6	LEVER CASE SET	1	1	1		INC. 43
1	225	346467-1	PIPE CLAMP 24	1	1	1		
1	226	346468-9	PIPE CLAMP 33	1	1	1		
1	227	452843-0	CLAMP COVER B	1	1	1		
1	228	922243-3	HEX. SOCKET HEAD BOLT M5X25	2	2	2		
1	A08	195626-2	LOOP HANDLE SET	1	1	1		

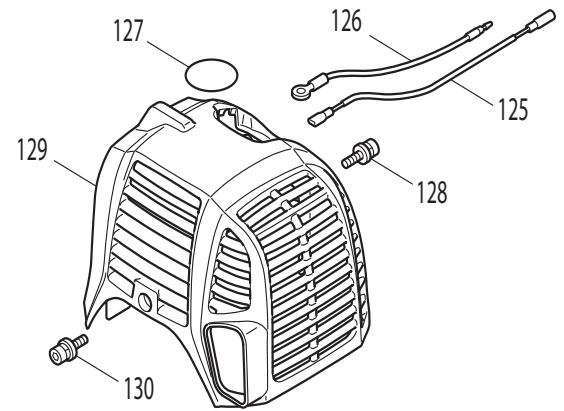


Products with multiple versions are listed in subsiding order with the newest version on top not indented.

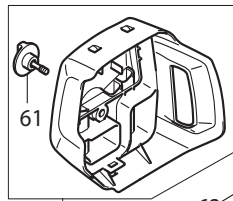
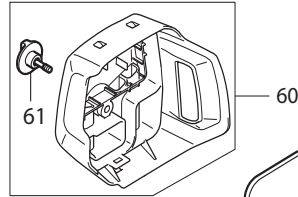
Section	Fig. No.	Part No.	Description	EM2650LH	MS-256.4 C	EM2652LHN	Tech Bulletin	Notes
2	6	140431-2	SHAFT PIPE COMPLETE	1	1	1		
2	7	890281-2	CAUTION LABEL	1	1	1		
2	8	819312-8	MAKITA LOGO LABEL	1	1	1		
2	9	324893-4	SHAFT	1	1	1		
2	10	922218-2	H.S.H.BOLT M5X14 WITH WR	2	2	2		
2	11	126264-9	GEAR CASE ASS'Y, EM2650LH	1	1	1	96817	EM2650LH, MS-256.4 C
2	11	126102-5	GEAR CASE ASS'Y, EM2650LH	1	1	1		EM2650LH, MS-256.4 C
2	11	126271-2	GEAR CASE ASS'Y, EM2652LHN			1		EM2652LHN
2	14	210051-7	BALL BEARING 609ZZ	1	1	1		
2	14	210049-4	BALL BEARING 609ZZ	1	1	1		
2	15	961005-4	RETAINING RING S-9	1	1	1		
2	16	962103-7	RETAINING RING R-24	1	1	1		
2	17	922241-7	HEX. SOCKET HEAD BOLT M5X25	1	1	1		
2	18	265590-2	+HEX.BOLT M8X10 WITH R	1	1	1		
2	20	187547-2	CUTTER SHAFT SET, EM2650LH	1	1		96817	EM2650LH, MS-256.4 C
2	20	188902-1	CUTTER SHAFT SET	1	1			EM2650LH, MS-256.4 C
2	20	187663-0	CUTTER SHAFT SET, EM2652LHN			1		EM2652LHN
2	23	211131-2	BALL BEARING 6001LLU					EM2650LH, MS-256.4 C
2	23	210115-7	BALL BEARING 6001LLU	1	1			EM2650LH, MS-256.4 C
2	23	211231-8	BALL BEARING 6302DDW			1		EM2652LHN
2	24	962106-1	RETAINING RING R-28	1	1			EM2650LH, MS-256.4 C
2	24	962211-4	RETAINING RING R-42			1		EM2652LHN
2	25	331861-0	RECEIVE WASHER	1	1			EM2650LH, MS-256.4 C
2	25	332056-8	RECEIVE WASHER, EM2652LHN			1		EM2652LHN
2	32	346073-2	PROTECTOR CLAMP, EM2650LH	1	1	1		
2	34	346630-6	LINE CUTTER	1	1	1		
2	35	266167-6	HEX. SOCKET HEAD BOLT M4X10	2	2	2		
2	218	443170-6	FELT	1	1	1		
2	229	266575-1	HEX. HEAD BOLT M6X30	2	2	2		
2	A07	T-01753A	BUMP & FEED TRIMMER HEAD	1	1	1		
2	A07	T-01753	BUMP & FEED TRIMMER HEAD	1	1	1		
2	A07	195149-0	CUTTER ASSEMBLY SET	1	1	1		
2	A09	196117-6	PROTECTOR SET, EM2650LH	1	1	1	95829	
2	A09	195780-2	PROTECTOR SET	1	1	1		INC. 34,35,229

Maintenance Kit Components

Available as a kit: 197680-2
 Fig No. 62, 63 and
 Fig No. 84 from page 12,
 Fig No.177 from page 15.



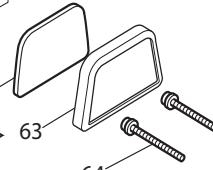
Prior to March 2012



216

61

60

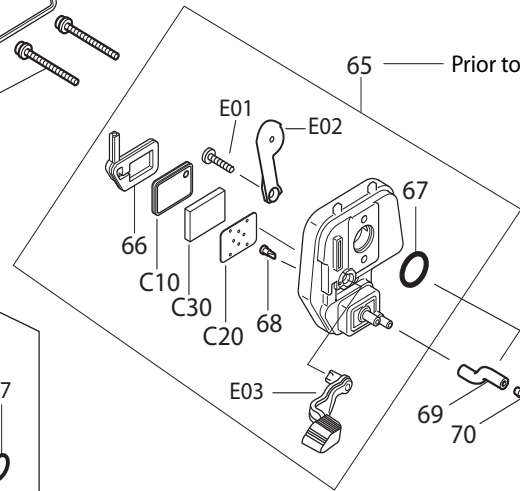


62

63

64

65 — Prior to March 2012



60

62

63

64

E01

E02

67

69

70

66-1

230

219

220

68

65

E03

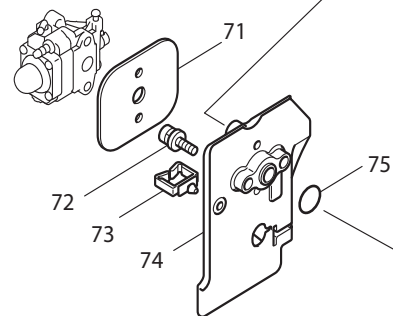
69

70

Tech Bulletin 94237

Implemented March 2012.

Interchangeable as a set
 with Fig No. 60, 65, & 69.



71

72

73

74

75

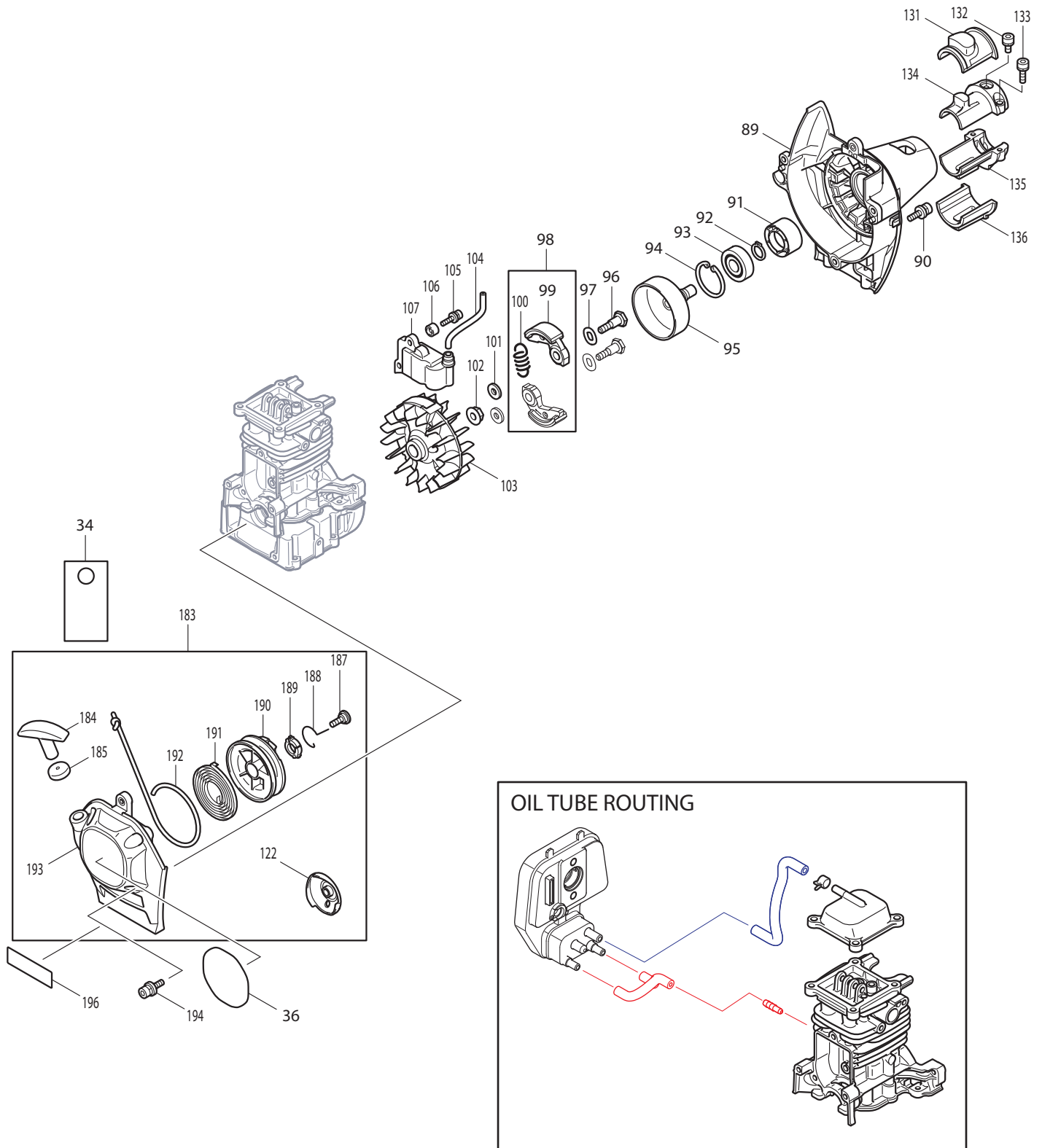
Cylinder Block

Products with multiple versions are listed in subsiding order with the newest version on top not indented.

Section	Fig. No.	Part No.	Description	EM2650LH	MS-256.4 C	EM2652LHN	Tech Bulletin	Notes
3	60	123499-3	CLEANER COVER ASS'Y, EM2650LH	1	1	1	B1277	INC. 61
3	60	126202-1	CLEANER COVER ASS'Y, EM2650LH	1	1	1	94237	INC. 61
3	60	125746-8	CLEANER COVER ASSEMBLY	1	1	1		INC. 61
3	61	265791-2	THUMB SCREW M4	1	1	1		
3	62	443171-4	AIR CLEANER ELEMENT	1	1	1		
3	63	443169-1	AIR CLEANER ELEMENT	1	1	1		
3	64	266618-9	H.S.BUTTON HEAD BOLT M5X60	2	2	2		
3	65	123501-2	CLEANER PLATE ASS'Y, EM2650LH	1	1	1	B1277	
3	65	126198-6	CLEANER PLATE ASS'Y, EM2650LH	1	1	1	94237	
3	65	126004-5	CLEANER PLATE ASSEMBLY	1	1	1		INC. 66-68, C10-C30, E01-E03
3	C10	162322-7	SEPARATOR STOPPER	1	1	1		
3	C20	162325-1	SEPARATOR GASKET	1	1	1		
3	C30	352013-0	SEPARATOR NET	1	1	1		
3	66-1	162346-3	SEPARATOR PLATE	1	1	1		
3	66	162324-3	SEPARATOR PLATE	1	1	1	94237	USE 123501-2
3	67	213540-1	O RING 15	1	1	1		
3	68	424316-3	CHECK VALVE	2	2	2		
3	69	422099-9	PIPE	1	1	1	94237	
3	69	422062-2	PIPE	1	1	1		
3	70	325665-0	JOINT PIPE	1	1	1		
3	71	442153-3	CARBURETOR GASKET	1	1	1		
3	72	922228-9	H.S.H.BOLT M5X18 WITH WR	2	2	2		
3	73	451825-9	CLAMP	1	1	1		
3	74	451729-5	INSULATOR	1	1	1		
3	75	213547-7	O-RING 12	1	1	1		
3	125	638707-4	LEAD UNIT	1	1	1		
3	126	638708-2	LEAD UNIT	1	1	1		
3	127	808633-3	4STROKE INDICATION LABEL	1	1	1		
3	128	922218-2	H.S.H.BOLT M5X14 WITH WR	1	1	1		
3	129	453266-5	CYLINDER COVER MAKITA	1		1		Makita
3	129	451734-2	CYLINDER COVER	1		1		Makita
3	129	453569-7	CYLINDER COVER DOLMAR		1			Dolmar
3	130	922218-2	H.S.H.BOLT M5X14 WITH WR	1	1	1		

Products with multiple versions are listed in subsiding order with the newest version on top not indented.

Section	Fig. No.	Part No.	Description	EM2650LH	MS-256.4 C	EM2652LHN	Tech Bulletin	Notes
3	216	800F73-7	INDICATION LABEL	1	1	1		
3	216	891985-9	INDICATION LABEL	1	1	1		
3	219	352020-3	SEPARATOR MESH, EM2650LH	1	1	1		
3	220	453865-3	SEPARATOR CASE, EM2650LH	1	1	1		
3	230	266007-8	TAPPING SCREW BIND PT 3X10	1	1	1		
3	E01	266427-6	TAPPING SCREW 4X12	1	1	1		
3	E02	452219-1	CHOKE PLATE	1	1	1		
3	E03	452220-6	CHOKE LEVER	1	1	1		

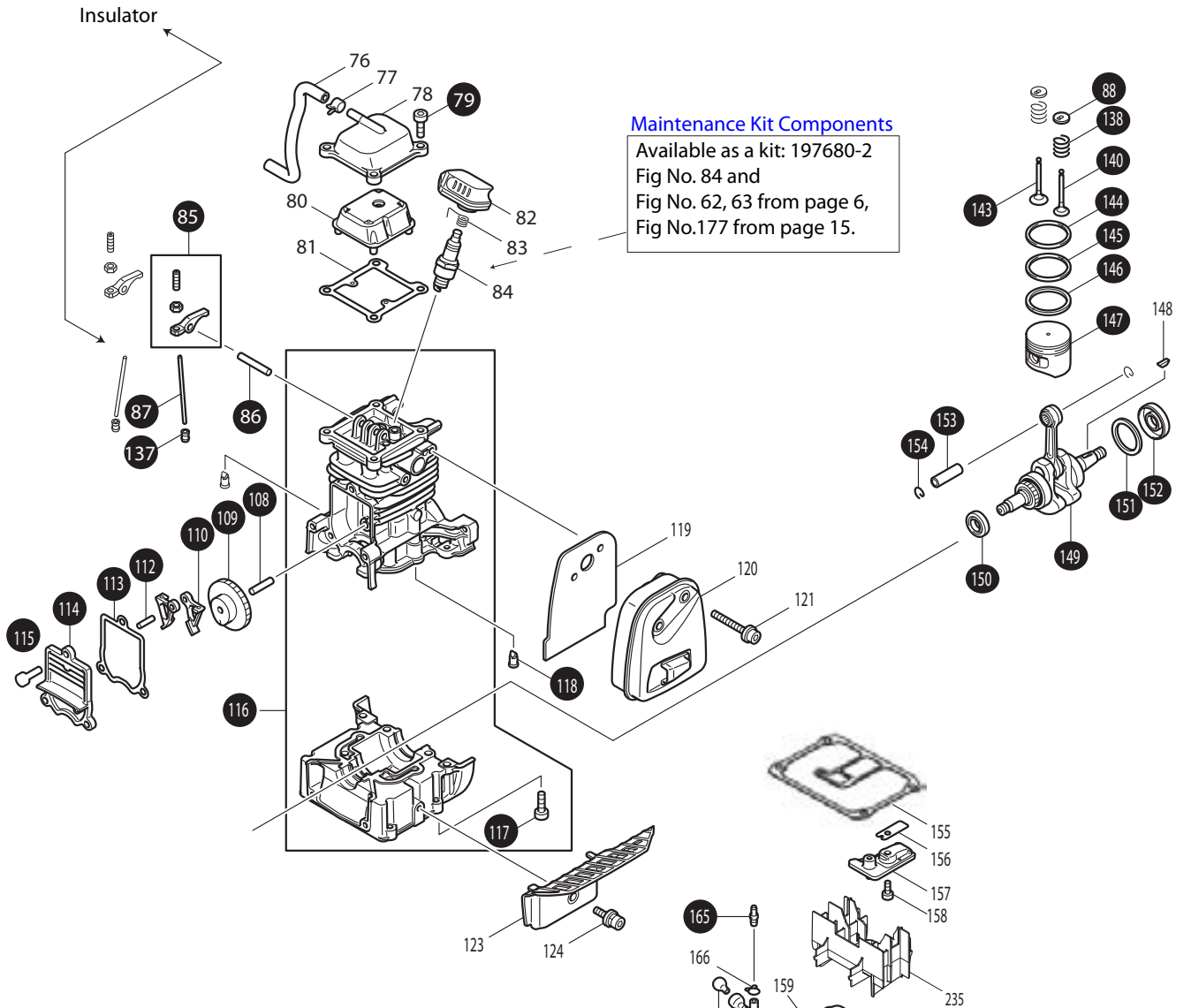


Products with multiple versions are listed in subsiding order with the newest version on top not indented.

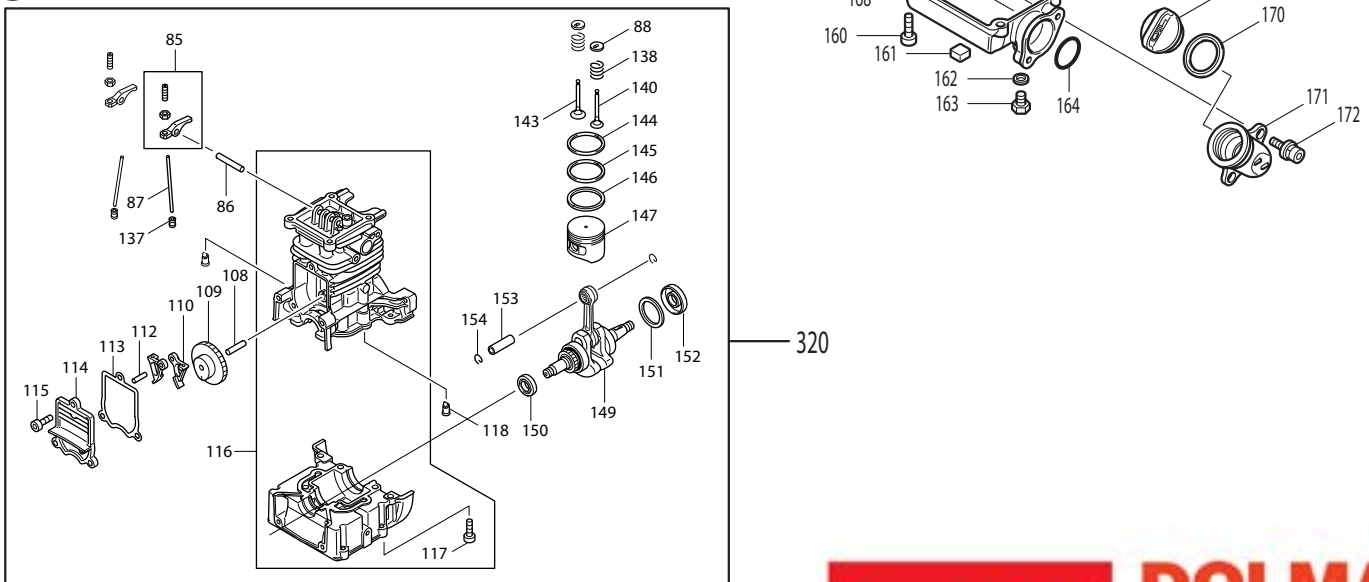
Section	Fig. No.	Part No.	Description	EM2650LH	MS-256.4 C	EM2652LHN	Tech Bulletin	Notes
4	34	819432-8	CAUTION TAG	1	1	1		
4	36	819766-9	EM2650LH MODEL NO.LABEL	1		1		Makita EM2650LH
4	89	451735-0	CLUTCH CASE	1	1	1		
4	90	922228-9	H.S.H.BOLT M5X18 WITH WR	3	3	3		
4	91	450569-8	SPACER	1	1	1		
4	92	961052-5	RETAINING RING S-12	1	1	1		
4	93	211129-9	BALL BEARING 6201LLU	1	1	1		
4	93	210111-5	BALL BEARING 6201LLU	1	1	1		
4	94	962151-6	RETAINING RING R-32	1	1	1		
4	95	161588-6	CLUTCH DRUM	1	1	1		
4	95	168809-7	CLUTCH DRUM	1	1	1	98676	
4	95	168609-5	CLUTCH DRUM	1	1	1		
4	96	266457-7	SHOULDER HEX. BOLT M6X25	2	2	2		
4	97	267817-6	WASHER 8	2	2	2		
4	98	126135-0	CLUTCH ASS'Y, EM2650LH	1	1	1	94441	
4	98	125518-1	CLUTCH ASSEMBLY	1	1	1		INC. 99,100
4	99	168498-8	CLUTCH SHOE	2	2	2		
4	100	231881-3	TENSION SPRING 7, EM2650LH	1	1	1	94441	
4	100	231858-8	TENSION SPRING 6	1	1	1		
4	101	267812-6	WASHER 6	2	2	2		
4	102	264039-9	FRANGE NUT	1	1	1		
4	103	318569-3	FLYWHEEL	1	1	1		
4	104	444021-6	TUBE	1	1	1		
4	105	266602-4	HEX. SOCKET HEAD BOLT M4X20	2	2	2		
4	106	452049-0	SPACER	2	2	2		
4	107	168559-4	IGNITION COIL	1	1	1		
4	122	168483-1	PULLEY	1	1	1		
4	131	424082-2	BUFFER RUBBER	1	1	1		
4	132	922211-6	HEX. SOCKET HEAD BOLT M5X12	1	1	1		
4	133	922226-3	HEX. SOCKET HEAD BOLT M5X18	2	2	2		
4	134	318249-1	PIPE HOLDER	1	1	1		
4	135	318250-6	PIPE HOLDER	1	1	1		
4	136	424083-0	BUFFER RUBBER	1	1	1		

Products with multiple versions are listed in subsiding order with the newest version on top not indented.

Section	Fig. No.	Part No.	Description	EM2650LH	MS-256.4 C	EM2652LHN	Tech Bulletin	Notes
4	183	195308-6	RECOIL STARTER SET, EM2650LH	1	1	1		
4	183	125752-3	RECOIL STARTER ASSEMBLY	1	1	1		INC. 122,184,185,187-193
4	184	424319-7	STARTER KNOB	1	1	1		
4	185	424359-5	DAMPER	1	1	1		
4	187	266585-8	TAPPING SCREW 5X12	1	1	1		
4	188	325923-4	SWING ARM	1	1	1		
4	189	451938-6	COLLAR	1	1	1		
4	190	451937-8	REEL	1	1	1		
4	191	232258-5	SPIRAL SPRING	1	1	1		
4	192	444023-2	STARTER ROPE	1	1	1		
4	193	451733-4	STARTER CASE	1	1	1		
4	194	922223-9	H.S.H.BOLT M5X16 WITH WR	4	4	4		
4	196	816565-0	MAKITA LOGO LABEL	1	1	1		



Included in Short Block Assembly Fig. No. 320.

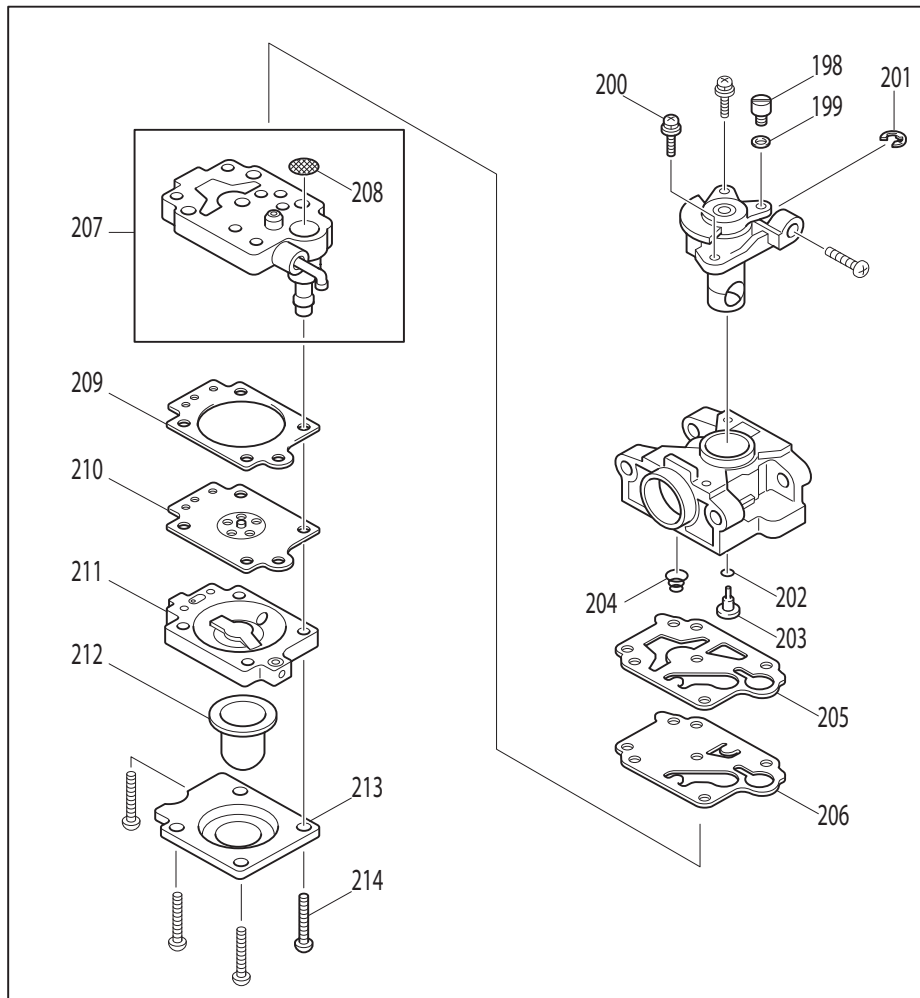
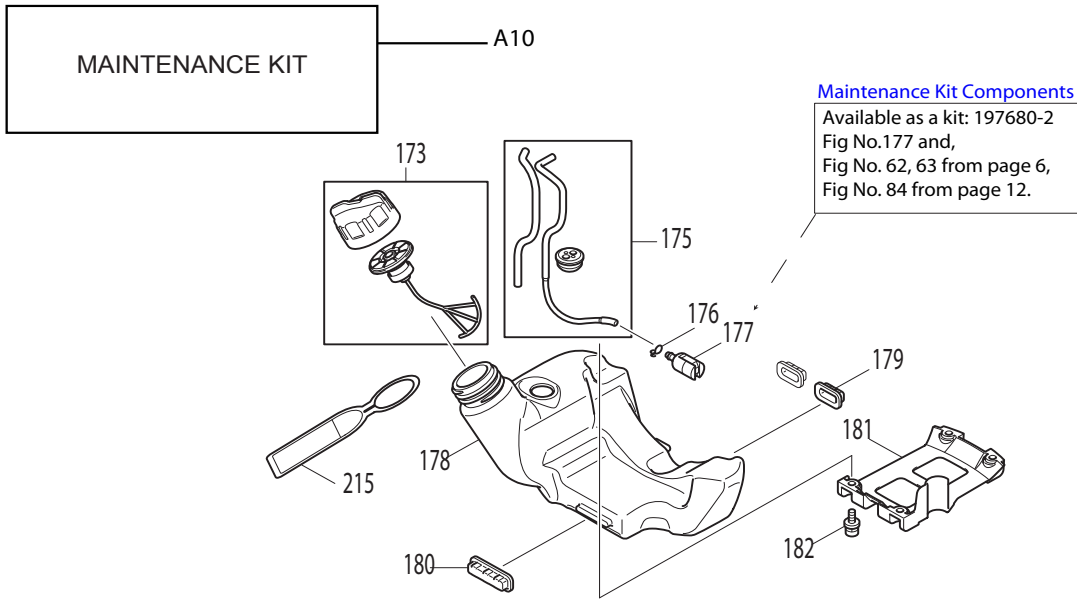


Products with multiple versions are listed in subsiding order with the newest version on top not indented.

Section	Fig. No.	Part No.	Description	EM2650LH	MS-256.4 C	EM2652LHN	Tech Bulletin	Notes
5	76	422109-2	BREATHER PIPE	1	1	1		
5	76	422055-9	BREATHER PIPE	1	1	1		
5	77	345918-1	HOSE CLAMP	1	1	1		
5	78	318745-9	ROCKER COVER OUTER	1	1	1		
5	79	922222-1	HEX. SOCKET HEAD BOLT M5X16	4	4	4		
5	80	453860-3	ROCKER COVER INNER	1	1	1		
5	80	452795-5	ROCKER COVER INNER	1	1	1		
5	81	162304-9	ROCKER COVER GASKET	1	1	1		
5	82	424302-4	PLUG CAP	1	1	1		
5	83	324891-8	PLUG CAP SPRING	1	1	1		
5	84	168534-0	SPARK PLUG	1	1	1		NGK CMR4A .030
5	85	125554-7	ROCKER ARM ASSEMBLY	2	2	2		
5	86	256200-2	PIN 5	1	1	1		
5	87	256865-0	ROD 2.5	2	2	2		
5	88	325668-4	SPRING RETAINER	2	2	2		
5	108	268238-5	PIN 5	1	1	1		
5	109	125552-1	CAM GEAR ASSEMBLY	1	1	1		
5	110	313169-4	CAM LIFTER	2	2	2		
5	112	268239-3	PIN 4	1	1	1		
5	113	162274-2	CAM GEAR COVER GASKET	1	1	1		
5	114	318443-5	CAM GEAR COVER	1	1	1		
5	115	922222-1	HEX. SOCKET HEAD BOLT M5X16	3	3	3		
5	116	135478-9	CYLINDER BLOCK ASSEMBLY	1	1	1		INC. 117
5	117	922222-1	HEX. SOCKET HEAD BOLT M5X16	6	6	6		
5	118	424201-0	CHECK VALVE	2	2	2		
5	119	346331-6	MUFFLER GASKET	1	1	1		
5	120	168554-4	EXHAUST MUFFLER	1	1	1		
5	121	266440-4	HEX SOCKET HEAD BOLT M5X40	2	2	2		
5	123	451731-8	MUFFLER PLATE	1	1	1		
5	124	922218-2	H.S.H.BOLT M5X14 WITH WR	1	1	1		
5	137	424200-2	SPACER, EM2650LH	2	2	2		
5	138	234108-0	COMPRESSION SPRING 9	2	2	2		
5	140	325669-2	EXHAUST VALVE	1	1	1		
5	142	257298-2	PISTON RING (TOP) 34	1	1	1		
5	143	326367-1	INTAKE VALVE	1	1	1		
5	143	325670-7	INTAKE VALVE	1	1	1		

Products with multiple versions are listed in subsiding order with the newest version on top not indented.

Section	Fig. No.	Part No.	Description	EM2650LH	MS-256.4 C	EM2652LHN	Tech Bulletin	Notes
5	144	195145-8	PISTON RING SET	1	1	1		
5	145	257299-0	PISTON RING (SECOND) 34	1	1	1		
5	146	257300-1	PISTON RING 34	1	1	1		
5	147	318441-9	PISTON	1	1	1		
5	148	254040-2	WOODRUFF KEY 3	1	1	1		
5	149	126359-8	CRANK SHAFT ASSEMBLY	1	1	1		INC. 150-152
5	149	135481-0	CRANK SHAFT ASS'Y	1	1	1		
5	150	213148-1	OIL SEAL 10	1	1	1		
5	151	267400-9	FLAT WASHER 23	1	1	1		
5	152	213147-3	OIL SEAL 12	1	1	1		
5	153	257781-9	PISTON PIN	1	1	1		
5	154	233976-8	CLIP	2	2	2		
5	155	162345-5	OIL CASE GASKET, EM2650LH	1	1	1		
5	155	162323-5	OIL CASE GASKET	1	1	1		
5	156	346083-9	LEAD VALVE	1	1	1		
5	157	318910-0	RETAINER PLATE, EM2650LH	1	1	1		
5	157	318590-2	RETAINER PLATE	1	1	1		
5	158	922112-8	HEX. SOCKET HEAD BOLT M4X10	1	1	1		
5	159	318588-9	OIL CASE	1	1	1		
5	160	922222-1	HEX. SOCKET HEAD BOLT M5X16	4	4	4		
5	161	424344-8	DAMPER	1	1	1		
5	162	346305-7	GASKET	1	1	1		
5	163	266611-3	HEX BOLT M6X8	1	1	1		
5	164	213548-5	O-RING 20	1	1	1		
5	165	325665-0	JOINT PIPE	1	1	1		
5	166	282020-8	HOSE CLAMP	1	1	1		
5	167	325666-8	OIL WEIGHT	1	1	1		
5	168	424301-6	OIL TUBE	1	1	1		
5	169	452047-4	OIL CAP	1	1	1		
5	170	424343-0	GASKET	1	1	1		
5	171	452048-2	OIL PIPE	1	1	1		
5	172	922218-2	H.S.H.BOLT M5X14 WITH WR	2	2	2		
5	235	453862-9	OIL CASE PLATE, EM2650LH	1	1	1		
5	320	135668-4	SHORT BLOCK ASSEMBLY	1	1	1		
5	320	135599-7	SHORT BLOCK ASSEMBLY	1	1	1	Y06451	



Products with multiple versions are listed in subsiding order with the newest version on top not indented.

Section	Fig. No.	Part No.	Description	EM2650LH	MS-256.4 C	EM2652LHN	Tech Bulletin	Notes
6	173	125728-0	FUEL TANK CAP ASSEMBLY	1	1	1		INC. 174
6	175	168755-4	TUBE CPL., EM2650LH	1	1	1	93766	
6	176	282020-8	HOSE CLAMP	1	1	1		
6	177	163518-3	GASOLIN FILTER	1	1	1		
6	178	123419-7	FUEL TANK	1	1	1	A7689	
6	178	454010-3	FUEL TANK	1	1	1		
6	178	452249-2	FUEL TANK	1	1	1		
6	179	424080-6	BUFFER RUBBER	2	2	2		
6	180	424081-4	BUFFER RUBBER	1	1	1		
6	181	451737-6	TANK GUARD	1	1	1		
6	182	922218-2	H.S.H.BOLT M5X14 WITH WR	4	4	4		
6	197	168762-7	CARBURETOR, EM2650LH	1	1	1	94441	
6	197	168591-8	CARBURETOR	1	1	1		INC. 198-207,209-214
6	198	325922-6	SWIVEL	1	1	1		
6	199	413140-9	WASHER	1	1	1		
6	200	266581-6	PAN HEAD SCREW M3X8 WITH W	2	2	2		
6	201	257964-1	STOP RING E-3	1	1	1		
6	202	213538-8	O RING 2	1	1	1		
6	203	325985-2	JET	1	1	1		
6	203	197714-1	JET (HIGH ALTITUDE)	1	1	1		FOR USE ABOVE 5000'
6	204	234183-6	CONICAL COMPRESSION SPRING 5-9	1	1	1		
6	205	442155-9	PUMP GASKET	1	1	1		
6	206	168575-6	PUMP DIAPHRAGM	1	1	1		
6	207	140437-0	PUMP BODY	1	1	1		
6	208	352010-6	INLET SCREEN	1	1	1		
6	209	442154-1	METERING DIAPHRAGM GASKET	1	1	1		
6	210	168620-7	METERING DIAPHRAGM	1	1	1		
6	211	140438-8	AIR PURGE BODY	1	1	1		
6	212	424314-7	PRIMER PUMP	1	1	1		
6	213	346270-0	PRIMER PUMP COVER	1	1	1		
6	214	266582-4	TAPPING SCREW 3X24	4	4	4		
6	215	810455-9	CAUTION PLATE	1	1	1		
6	A10	197680-2	MAINTENANCE KIT	1	1	1		Contains – Spark Plug, Fuel Filter, Air Filters