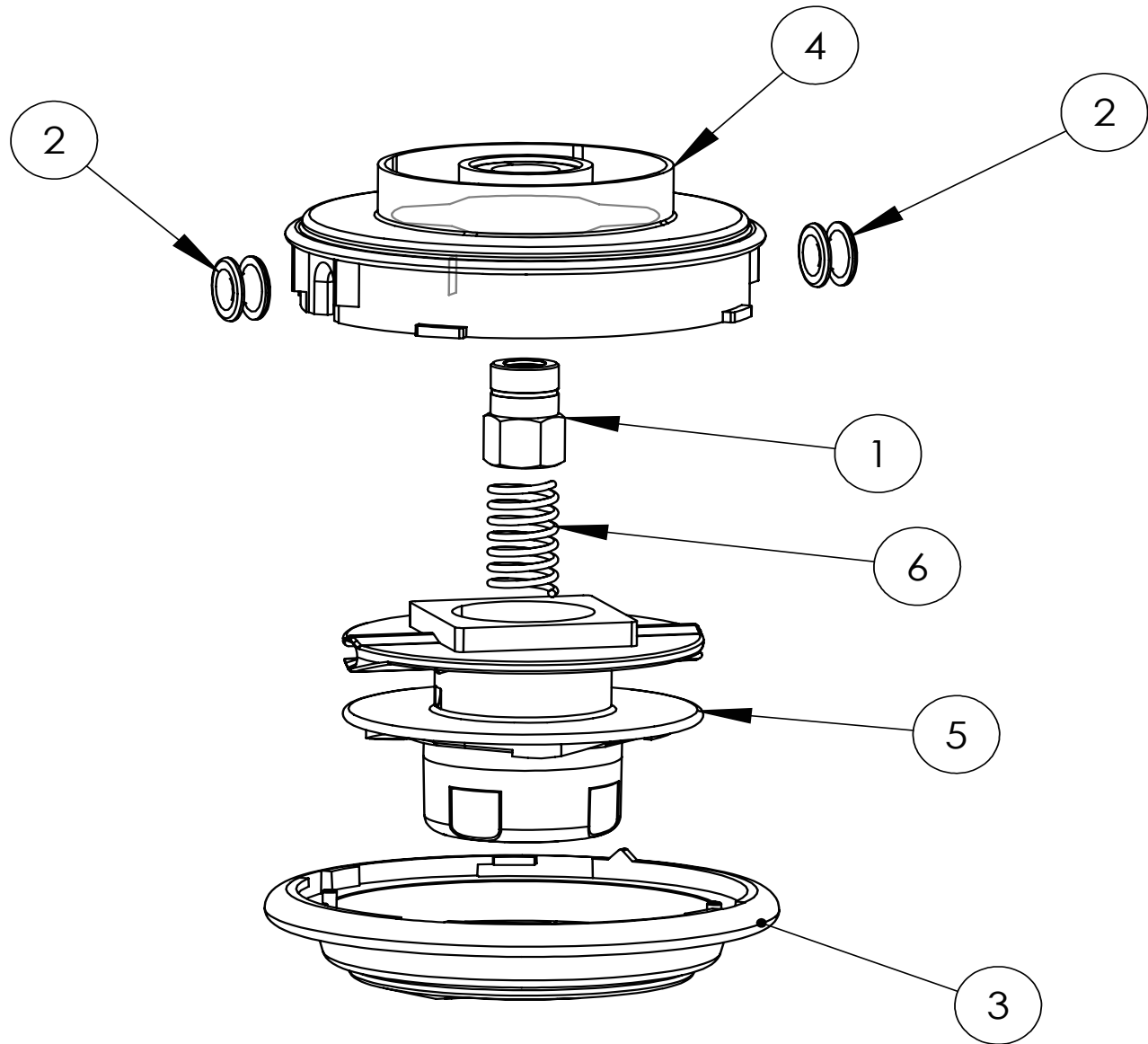


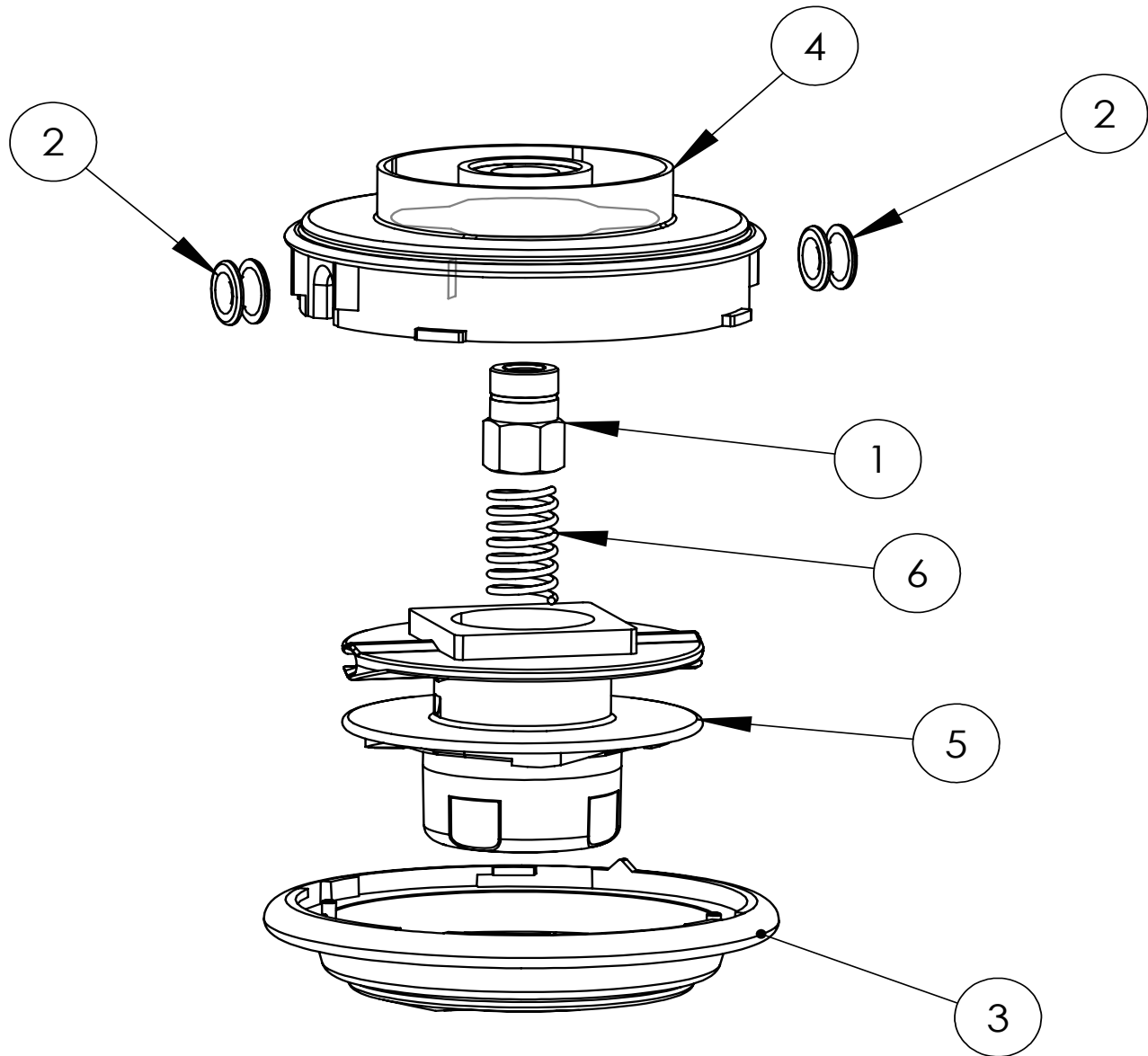


**PARTS BREAKDOWN**  
**COMFORT TRIM HEADS**  
**BUMP FEED HEADS**  
**BUMP AND AUTO FEED HEADS**  
**MANUAL FEED HEADS**



*Products with multiple versions are listed in subsiding order with the newest version on top not indented.*

Fig. No.	Part No.	Description	QTY	Notes
1	1UA1049A	BOLT M8 1.25LH, T-02917, XRU04	1	
2	1SE103A	EYELET, T-01753, EM2650LH	2	
3	1SN748MDA	COVER LH, T-01753, EM2650LH	1	
4	1SN742MDA	HOUSING W/MAKITA LOGO, T-01753, EM2650LH	1	
5	1SN745A	SPOOL LH, T-01753, EM2650LH	1	
6	1SS743A	SPRING 5/8 X 1-1/4, T-01753, EM2650LH	1	



*Products with multiple versions are listed in subsiding order with the newest version on top not indented.*

Fig. No.	Part No.	Description	QTY	Notes
1	1UA1048A	BOLT M10X1.25LH, T-01753, EM2650LH	1	
2	1SE103A	EYELET, T-01753, EM2650LH	2	
3	1SN748MDA	COVER LH, T-01753, EM2650LH	1	
4	1SN742MDA	HOUSING W/MAKITA LOGO, T-01753, EM2650LH	1	
5	1SN745A	SPOOL LH, T-01753, EM2650LH	1	
6	1SS743A	SPRING 5/8 X 1-1/4, T-01753, EM2650LH	1	



*Products with multiple versions are listed in subsiding order with the newest version on top not indented.*

Fig. No.	Part No.	Description	QTY	Notes
1	B-60159	Cover	1	
2	453228-3	Spool	1	
3	234229-8	Spring	1	
4	B-03040	Attachment Nut M8 X 1.25 (LH)	1	
5	B-03034	Housing	1	
6	318816-2	Eyelet	2	



*Products with multiple versions are listed in subsiding order with the newest version on top not indented.*

Fig. No.	Part No.	Description	QTY	Notes
1	453227-5	COVER	1	
2	453228-3	SPOOL	1	
3	234229-8	COMPRESSION SPRING 13	1	
4	B-03040	NUT M8 x 1.25LH	1	
5	141181-2	HOUSING COMPLETE	1	
6	318816-2	EYE LET	2	



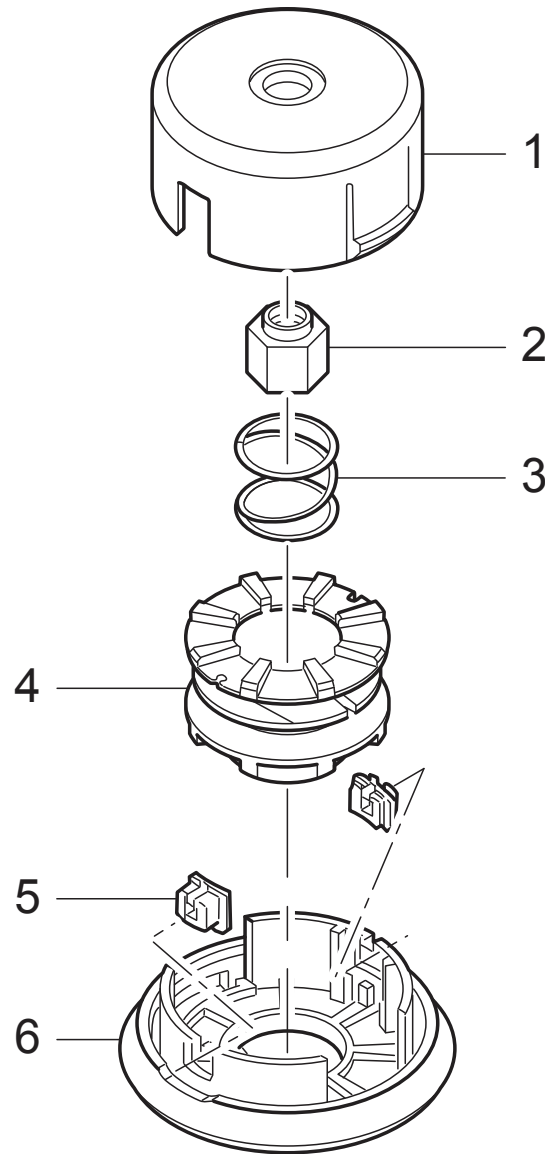
*Products with multiple versions are listed in subsiding order with the newest version on top not indented.*

Fig. No.	Part No.	Description	QTY	Notes
1	453227-5	COVER	1	
2	453228-3	SPOOL	1	
3	234229-8	COMPRESSION SPRING 13	1	
4	B-03090	NUT M8 x 1.25RH	1	
5	141181-2	HOUSING COMPLETE	1	
6	318816-2	EYE LET	2	



*Products with multiple versions are listed in subsiding order with the newest version on top not indented.*

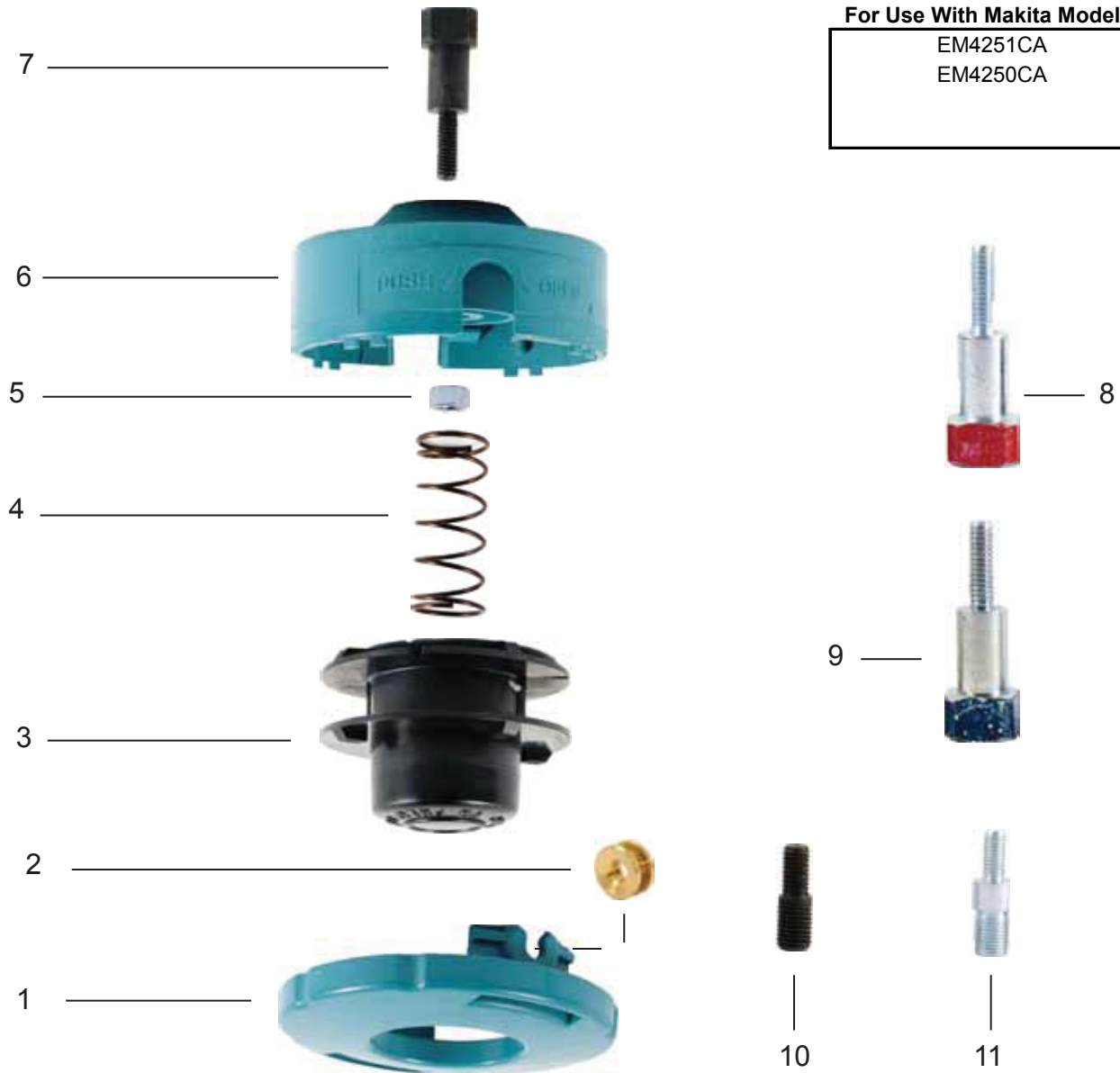
Fig. No.	Part No.	Description	QTY	Notes
1		COVER	1	
2		SPOOL	1	
3		COMPRESSION SPRING 13	1	
4		NUT M8 x 1.25RH	1	
5		HOUSING COMPLETE	1	
6	319215-1	EYE LET	2	



*Products with multiple versions are listed in subsiding order with the newest version on top not indented.*

Fig. No.	Part No.	Description	QTY	Notes
1	50203AA001	HOUSING	1	
2	50203AA004	ADAPTOR	1	
3	50203AA007	SPRING	1	
4	50203AA003	SPOOL	1	
5	351-502-015	EYELET	2	
6	50203AA002	COVER	1	





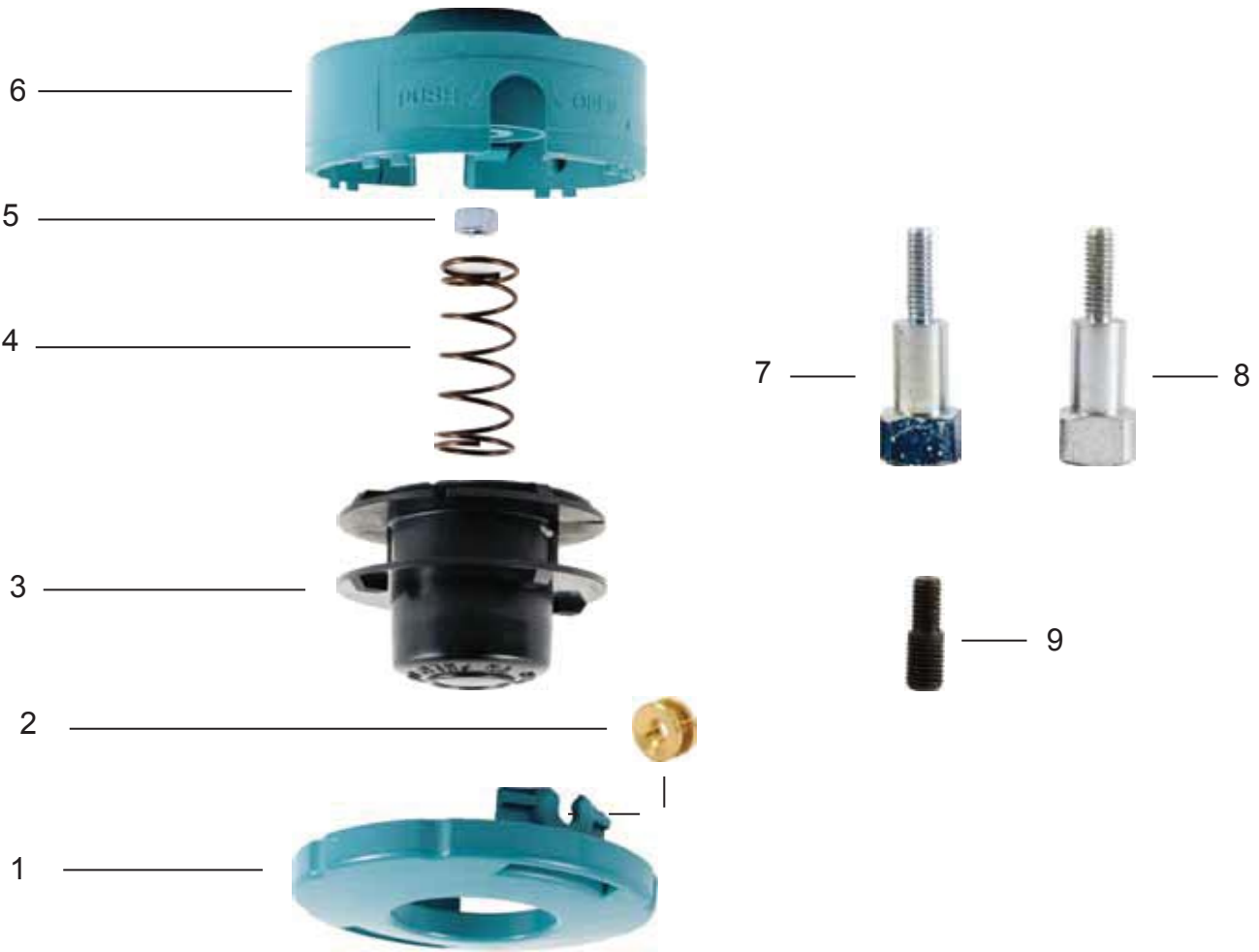
**For Use With Makita Models:**  
 EM4251CA  
 EM4250CA

*Products with multiple versions are listed in subsiding order with the newest version on top not indented.*

Fig. No.	Part No.	Description	QTY	Notes
1	112508-A	Base	1	
2	111203-A	Eyelet	2	
3	112505-A	Inner Spool	1	
4	112506-A	Spring	1	
5	112507-A	Shaft Nut w/ washer	1	
6	112502-A	Housing	1	
7	150110-A	M8 X 1.25 RH Shaft Bolt (Black)	1	
8	H150140	M10 X 1.25 LH Shaft Bolt (Silver)	1	No Longer Available
9	11150110-A	M8 X 1.25 LH Shaft Bolt (Blue)	1	
10	11153025-A	M10 X 1.25 LH / M8 x 1.25 LH Stud	1	
11	H153026	M7 X 1.0 LH / M 10 X 1.0 LH Stud	1	No Longer Available

**For Use With Makita Models:**

EM4251CA
EM2650LH
EM4250CA
EM2650UH

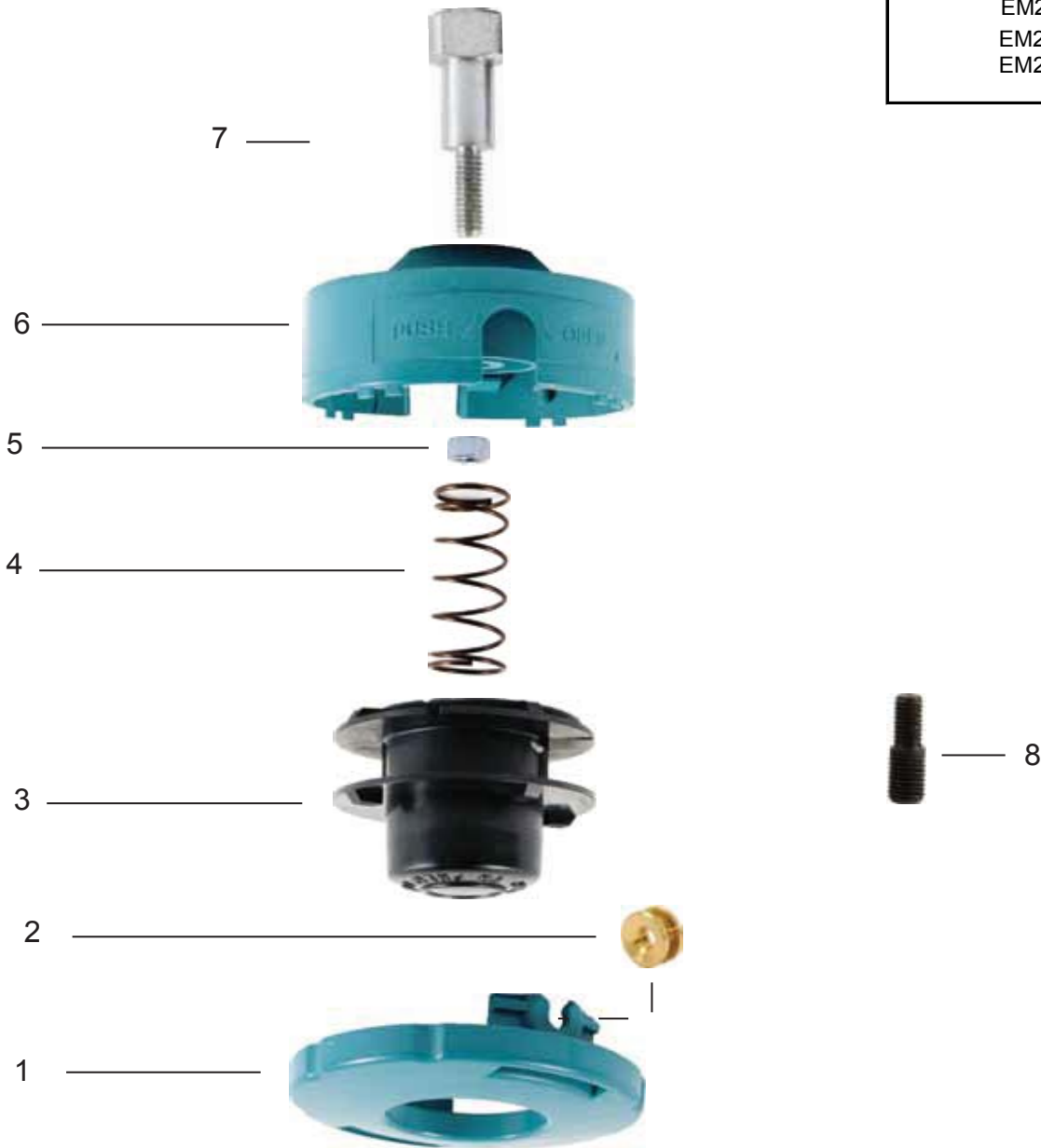


*Products with multiple versions are listed in subsiding order with the newest version on top not indented.*

Fig. No.	Part No.	Description	QTY	Notes
1	112508-A	Base	1	
2	111203-A	Eyelet	2	
3	112505-A	Inner Spool	1	
4	112506-A	Spring	1	
5	112507-A	Shaft Nut w/ washer	1	
6	112502-A	Housing	1	
7	11150110-A	M8 X 1.25 LH Shaft Bolt (Blue)	1	
8	11150120-M2	M10 X 1.25 LH Shaft Bolt (Silver)	1	
9	11153025-A	M10 X 1.25 LH / M8 x 1.25 LH Stud	1	

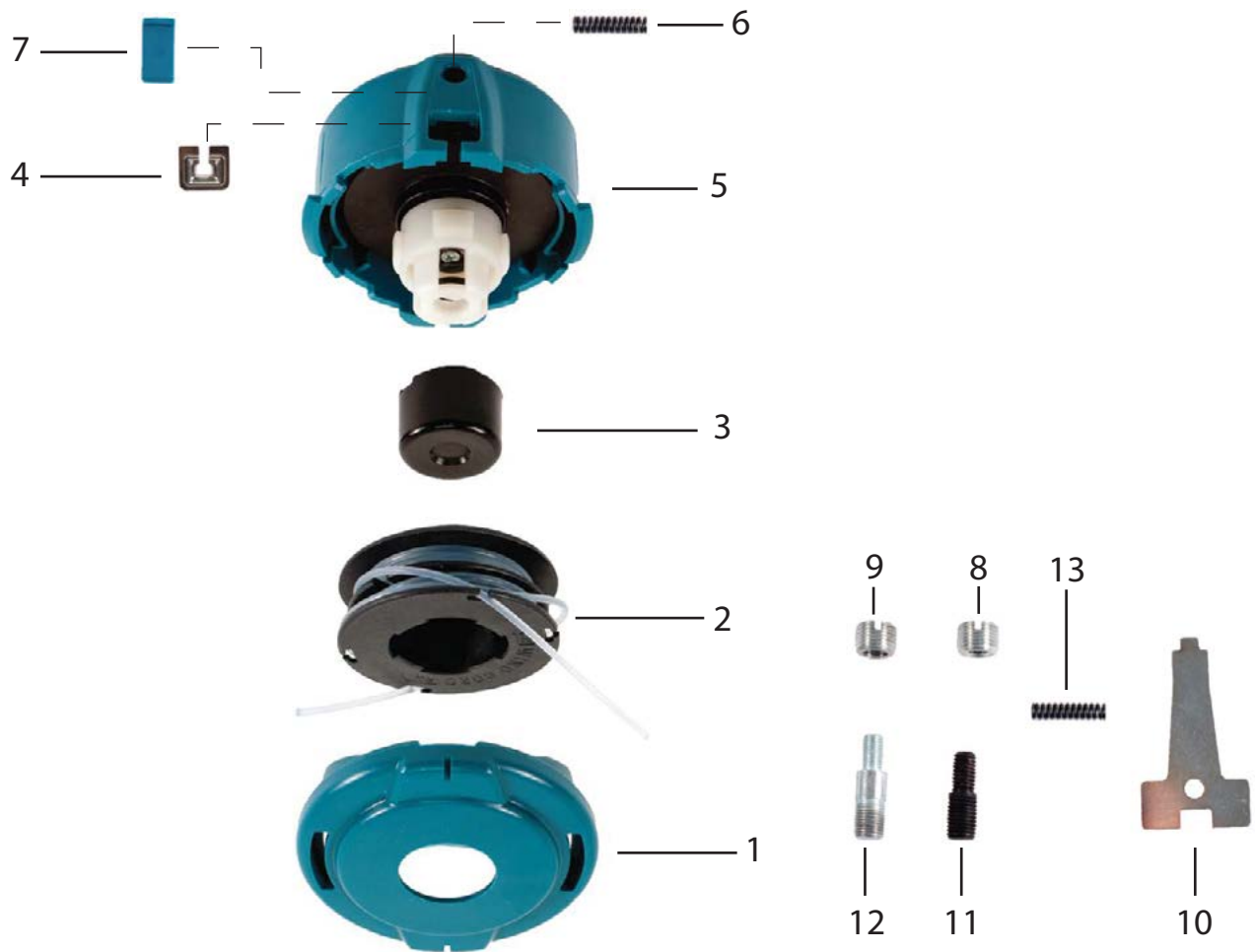
For Use With Makita Models:

EM2650LH  
EM2650UH  
EM2652LHN



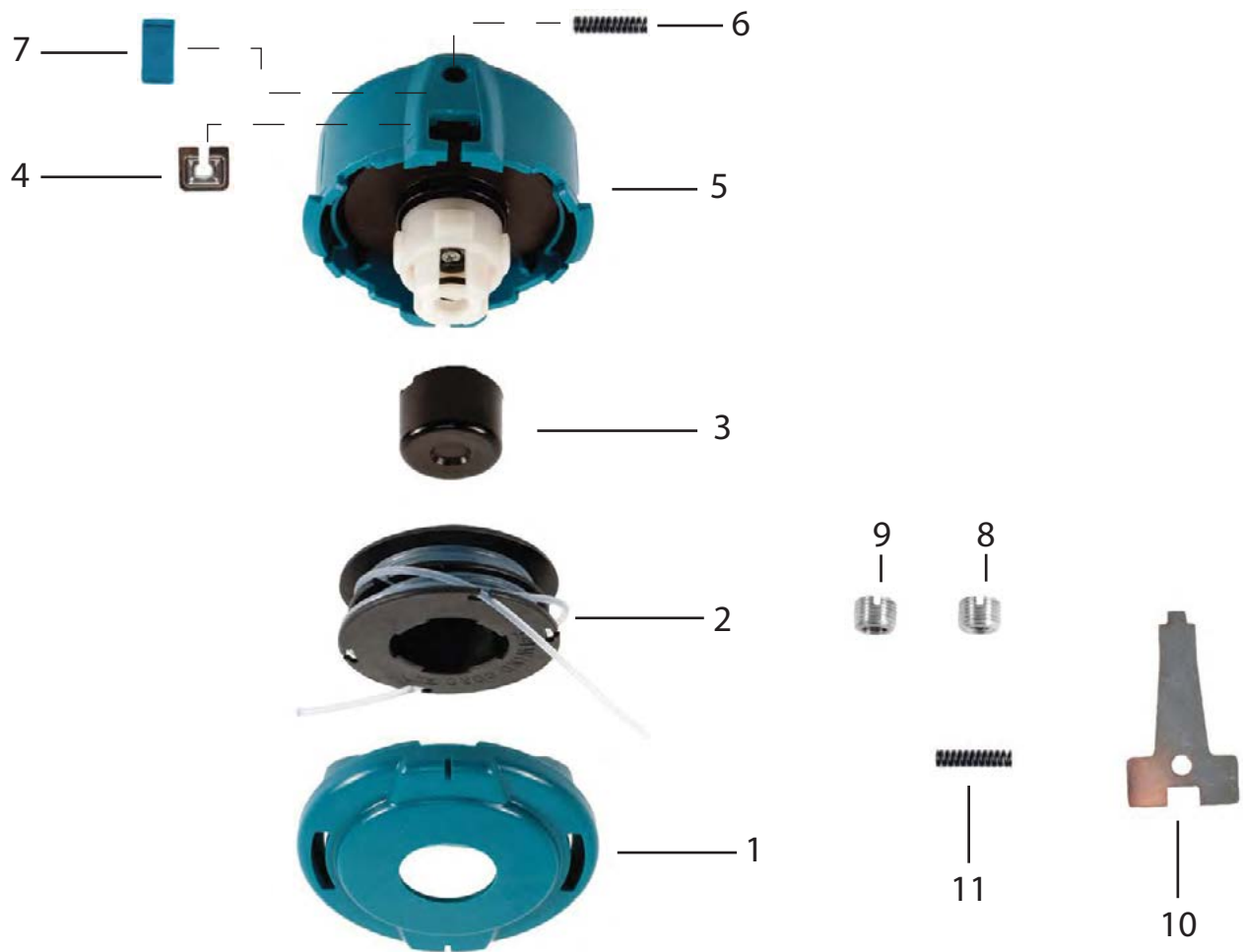
*Products with multiple versions are listed in subsiding order with the newest version on top not indented.*

Fig. No.	Part No.	Description	QTY	Notes
1	112508-A	Base	1	
2	111203-A	Eyelet	2	
3	112505-A	Inner Spool	1	
4	112506-A	Spring	1	
5	112507-A	Shaft Nut w/ washer	1	
6	112502-A	Housing	1	
7	11150120-M2	M10 X 1.25 LH Shaft Bolt (Silver)	1	
8	11153025-A	M10 X 1.25 LH / M8 x 1.25 LH Stud	1	



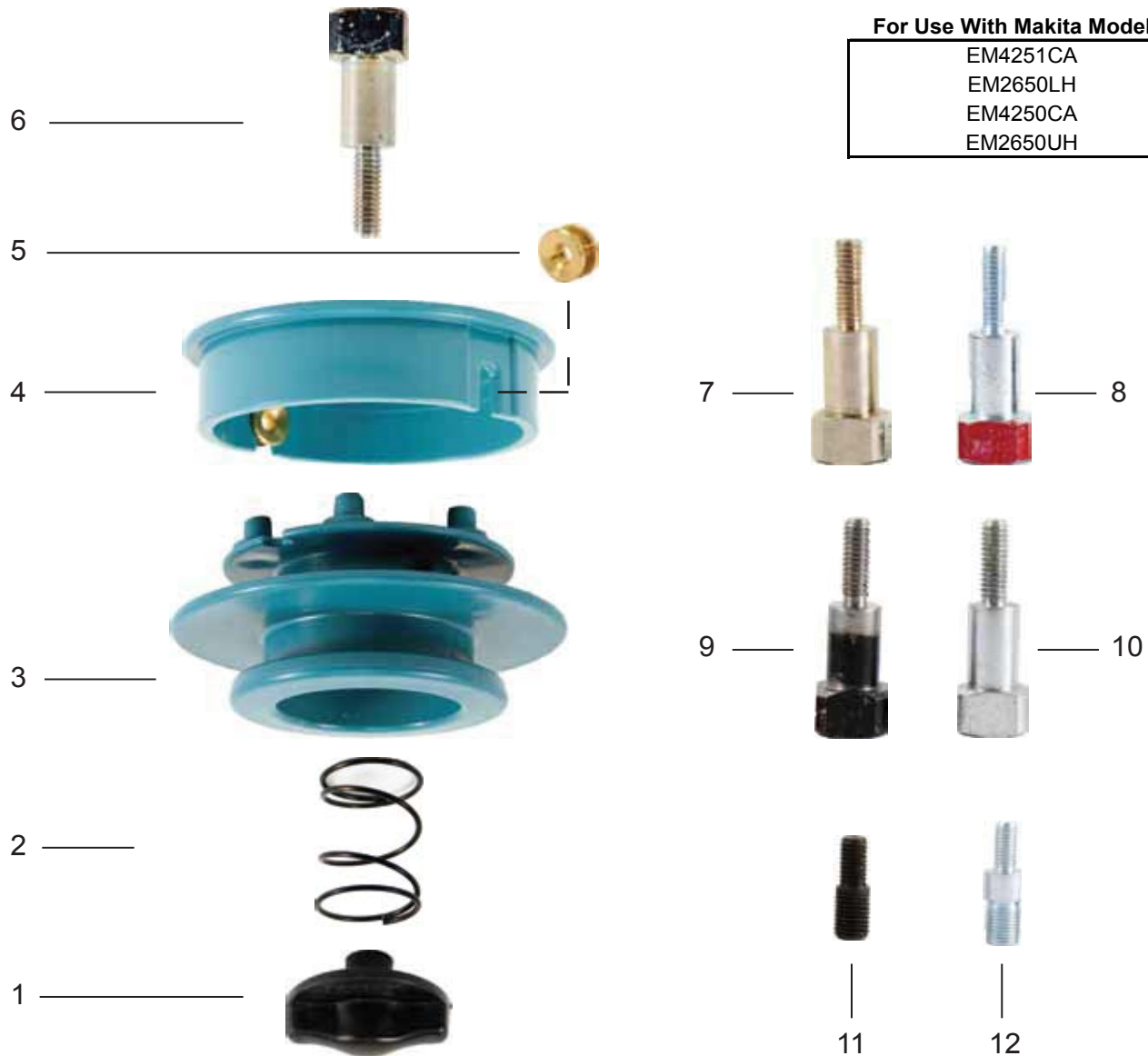
*Products with multiple versions are listed in subsiding order with the newest version on top not indented.*

Fig. No.	Part No.	Description	QTY	Notes
1	A-15958	Nylon Cover	1	
2	A-15964	Spool	1	
3	A-15986	Knob Head	1	
4	318816-2	Eyelet	2	
5	A-16003	Housing	1	
6	A-16019	Spring (Strong - Black)	2	
7	A-16106	Spring Cover	1	
8	A-16025	A-Nut M8 X 1.25 (LH)	1	
9	A-16031	B-Nut M10 X 1.25 (LH)	1	
10	A-16069	Special Wrench	1	
11	A-16047	C-Bolt M8 X 1.25, M10 X 1.25 (LH)	1	
12	A-16053	D-Bolt M7X 1.0, M10 X 1.25 (LH)	1	
13	A-16097	Spring (Regular - Red)	2	



*Products with multiple versions are listed in subsiding order with the newest version on top not indented.*

Fig. No.	Part No.	Description	QTY	Notes
1	A-15958	Nylon Cover	1	
2	A-15964	Spool	1	
3	A-15986	Knob Head	1	
4	318816-2	Eyelet	2	
5	A-16003	Housing	1	
6	A-16019	Spring (Strong - Black)	2	
7	A-16106	Spring Cover	1	
8	A-16639	A-Nut M8 X 1.25 (RH)	1	
9	A-16645	B-Nut 3/8" X 24 (RH)	1	
10	A-16069	Special Wrench	1	
11	A-16097	Spring (Regular - Red)	2	

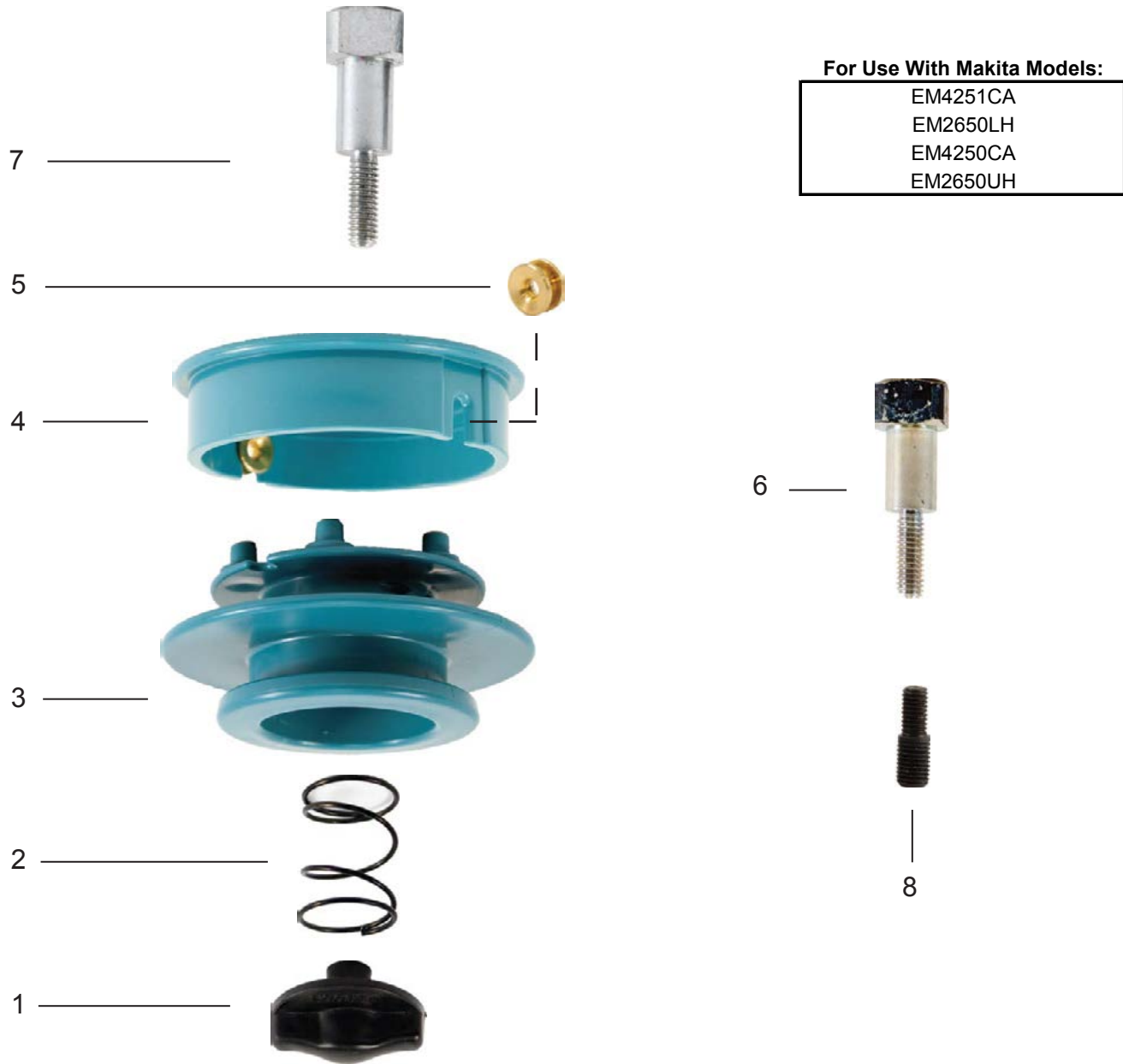


For Use With Makita Models:

- EM4251CA
- EM2650LH
- EM4250CA
- EM2650UH

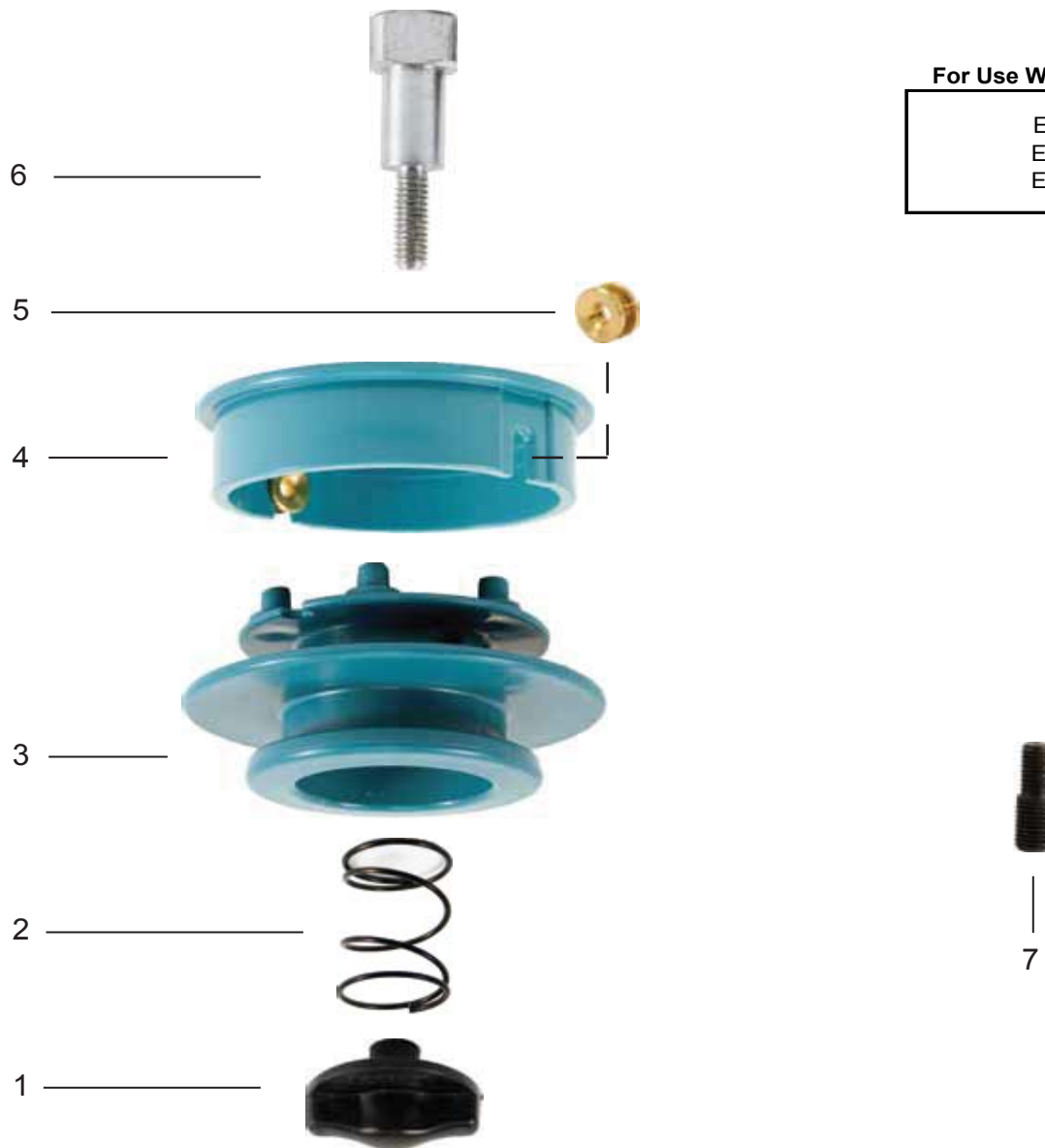
*Products with multiple versions are listed in subsiding order with the newest version on top not indented.*

Fig. No.	Part No.	Description	QTY	Notes
1	112508-A	Base	1	
2	111203-A	Eyelet	2	
3	112505-A	Inner Spool	1	
4	112506-A	Spring	1	
5	112507-A	Shaft Nut w/ washer	1	
6	112502-A	Housing	1	
7	150110-A	M8 X 1.25 RH Shaft Bolt (Black)	1	
8	H150140	M10 X 1.25 LH Shaft Bolt (Silver)	1	No Longer Available
9	11150110-A	M8 X 1.25 LH Shaft Bolt (Blue	1	
10	11153025-A	M10 X 1.25 LH / M8 x 1.25 LH Stud	1	
11	H153026	M7 X 1.0 LH / M 10 X 1.0 LH Stud	1	No Longer Available



*Products with multiple versions are listed in subsiding order with the newest version on top not indented.*

Fig. No.	Part No.	Description	QTY	Notes
1	112508-A	Base	1	
2	111203-A	Eyelet	2	
3	112505-A	Inner Spool	1	
4	112506-A	Spring	1	
5	112507-A	Shaft Nut w/ washer	1	
6	112502-A	Housing	1	
7	11150110-A	M8 X 1.25 LH Shaft Bolt (Blue)	1	
8	11150120-M2	M10 X 1.25 LH Shaft Bolt (Silver)	1	
9	11153025-A	M10 X 1.25 LH / M8 x 1.25 LH Stud	1	



For Use With Makita Models:

EM2650LH  
EM2650UH  
EM2652LHN

*Products with multiple versions are listed in subsiding order with the newest version on top not indented.*

Fig. No.	Part No.	Description	QTY	Notes
1	111207L-A	Knob	1	
2	111206-A	Spring	1	
3	111205-A	Inner Spool	1	
4	111202-A	Housing	1	
5	111203-A	Eyelet	2	
6	11150120-M2	M10 X 1.25 LH Shaft Bolt (Silver)	1	
7	11153025-A	M10 X 1.25 LH / M8 X 1.25 LH Stud	1	