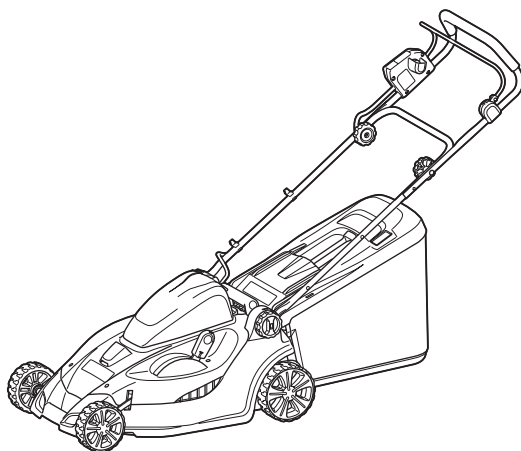


**INSTRUCTION MANUAL  
MANUEL D'INSTRUCTION  
MANUAL DE INSTRUCCIONES**



# **Cordless Lawn Mower Tondeuse Sans Fil Cortadora de Césped**

## **XML02**



**IMPORTANT:** Read Before Using.

**IMPORTANT :** Lire avant usage.

**IMPORTANTE:** Lea antes de usar.

# SPECIFICATIONS

<b>Model:</b>		<b>XML02</b>	
Mowing width (blade diameter)		430 mm (17")	
No load speed		3,600 /min	
Dimensions (L x W x H)	during operation	Max. 1,490 mm x 460 mm x 1,020 mm (58-3/4" x 18-1/8" x 40-1/4") Min. 1,450 mm x 460 mm x 950 mm (57" x 18-1/8" x 37-1/2")	
	when stored (without grass basket)	490 mm x 460 mm x 910 mm (19-1/4" x 18-1/8" x 35-3/4")	
Rated voltage		D.C. 36 V	
Standard battery cartridge(s)		BL1815N/BL1820/BL1820B	BL1830/BL1840/BL1850/ BL1840B/BL1850B
⚠️Warning: Use only the battery cartridge(s) described.			
Net weight		18.0 kg (39.7lbs)	18.5 kg (40.8 lbs)

- Due to our continuing program of research and development, the specifications herein are subject to change without notice.
- Specifications and battery cartridge may differ from country to country.
- Weight, with battery cartridge, according to EPTA-Procedure 01/2003

## IMPORTANT SAFETY INSTRUCTIONS

**⚠️WARNING:** When using electric lawn mowers, basic safety precautions should always be followed to reduce the risk of fire, electric shock, and personal injury; including the following.

## Read All Instructions

Read, understand, and follow all instructions on the mower and in the instruction manuals. Be thoroughly familiar with the controls and the proper use of the mower before starting.

### ⚠️WARNING!

- Avoid Dangerous Environment** - Never operate the mower in damp or wet locations. Always be sure of your footing: keep a firm hold on the handle and walk; never run.
- Don't Use In Rain.**
- Keep Children Away** - All visitors should be kept a safe distance from work area. Be alert and turn mower off if a child enters the area. Use extra care when approaching blind corners, shrubs, trees, or other objects that may block your view of a child.
- Dress Properly** - Do not wear loose clothing or jewelry. They can be caught in moving parts. Use of rubber gloves and substantial footwear is recommended when working outdoors. Do not operate the mower when barefoot or wearing open sandals.
- Use Safety Glasses**- Always use face or dust mask if operation is dusty.
- Use Right Appliance** - Do not use lawn mower for any job except that for which it is intended.
- Don't Force Lawn Mower** - It will do the job better and safer at the rate for which it was designed.
- Don't Overreach** - Keep proper footing and balance at all times. Do not mow near drop offs, ditches, or embankments. You could lose your footing or balance.
- Stay Alert** - Watch what you are doing. Use common sense. Do not operate lawn mower when you are tired. Do not operate machine while under the influence of alcohol or drugs. A moment of inattention while operating the mower may result in serious personal injury.
- Disconnect Lawn Mower** - Disconnect the lawn mower from the power supply or remove the battery when not in use, before servicing, cleaning, removing material from the lawn mower, or changing accessories such as blades, and the like.
- Store Idle Lawn Mower Indoors** - When not in use, lawn mower should be stored in an indoor dry and locked-up place - out of reach of children.
- Maintain Lawn Mower With Care** - Keep cutting edges sharp and clean for best and safest performance. Follow instructions for lubricating and changing accessories. Inspect lawn mower cord periodically and if damaged, have it repaired by an authorized service facility. Keep handles dry, clean, and free from oil and grease.
- Keep machine free of grass, leaves, or other debris build up.Keep guards in place and in working order.**
- Keep blades sharp.**
- Keep hands and feet away from cutting area. Keep clear of the discharge opening at all times.**
- Objects struck by the lawn mower blade can cause severe injuries to persons. The lawn should always be carefully examined and cleared of all objects prior to each mowing. Stay behind the handle when the engine (motor) is running.**
- If the mower strikes a foreign object, follow these steps:**
  - Stop the mower. Release the switch. Wait until the blade comes to a complete stop.
  - Remove the key and the battery cartridge.
  - Inspect the mower for any damage.
  - Repair any damage before restarting and operating the mower. Replace the blade if it is damaged in any way.

18. **Use identical replacement blades only.**
19. **This cutting machine is capable of amputating hands and feet and throwing objects. Failure to observe the following safety instructions could result in serious injury or death.**
20. **Only allow responsible adults, who are familiar with the instruction, to operate the mower.**
21. **Be sure the area is clear of other people before mowing. Stop mower if anyone enters the area.**
22. **Never direct discharged material toward anyone. Avoid discharging material against a wall or obstruction. Material may ricochet back toward the operator. Stop the blade when crossing gravel surfaces.**
23. **Do not pull the mower backwards unless absolutely necessary.** When you are compelled to back the mower from a fence or other similar obstruction, look down and behind before and while moving backwards.
24. **Release switch lever and wait for blade rotation to stop before crossing driveways, walks, roads and any gravel-covered areas.** Also remove key if you leave it, reach to pick up or remove something out of your way, or for any other reason that may distract you from what you are doing.
25. **Do not operate machine without the entire grass catcher, discharge guard, rear guard, or other safety protective devices in place and working.**
26. **Stop the motor and remove the key whenever you leave the equipment, before cleaning the mower or unclogging the chute and making any repairs or inspections.**
27. **Shut the motor off and wait until the blade comes to a complete stop before removing the grass catcher.** Beware that the blades coast after turn off.
28. **Mow only in daylight or good artificial light.**
29. Disengage the self-propelled mechanism or drive clutch on the mower so equipped before starting the motor.
30. **If the equipment should start to vibrate unusually, stop the motor and check immediately for the cause.** Vibration is generally a warning of trouble.
31. **Do not insert key into mower until it is ready to be used.**
32. **Don't grasp the exposed cutting blades or cutting edges when picking up or holding the appliance.**
33. **Check the blades carefully for cracks or damage before operation. Replace cracked or damaged blades immediately.**
34. **Never attempt to make wheel height adjustments while mower is running.**
35. **Check the grass basket frequently for wear or deterioration. For storage, always make sure the grass basket is empty.** Replace a worn grass basket with a new factory replacement one for safety.
36. **Check grass basket components and the discharge guard frequently and replace with manufacturer's recommended parts, when necessary.**
37. **Mow across the face of slopes, never up and down. Exercise extreme caution when changing direction on slopes. Do not mow excessively steep slopes.**
38. **Watch for holes, ruts, bumps, rocks, or other hidden objects.** Uneven terrain could cause a slip and fall accident. Tall grass can hide obstacles.
39. **Do not mow on wet grass or excessively steep slopes.** Poor footing could cause a slip and fall accident.
40. **Do not wash with a hose; avoid getting water in motor and electrical connections.**
41. **Check the blade mounting bolt at frequent intervals for proper tightness.**
42. **Keep all nuts, bolts, and screws tight to be sure the equipment is in safe working condition.**
43. **Never remove or tamper with safety devices. Check their proper operation regularly. Never do anything to interfere with the intended function of a safety device or to reduce the protection provided by a safety device.**
44. **Maintain or replace safety and instruction labels, as necessary.**
45. **Battery tool use and care**
  - **Recharge only with the charger specified by the manufacturer.** A charger that is suitable for one type of battery cartridge may create a risk of fire when used with another battery cartridge.
  - **Do not charge lawn mower in rain, or in wet locations.**
  - **When replacing batteries, all batteries should be replaced at the same time.** Mixing fresh and discharged batteries could increase internal cell pressure and rupture the discharged battery.
  - **Use power tools only with specifically designated battery cartridges.** Use of any other battery cartridges may create a risk of injury and fire.
  - **When battery cartridge is not in use, keep it away from other metal objects, like paper clips, coins, keys, nails, screws or other small metal objects, that can make a connection from one terminal to another.** Shorting the battery terminals together may cause burns or a fire.
  - **Under abusive conditions, liquid may be ejected from the battery; avoid contact.** If contact accidentally occurs, flush with water. If liquid contacts eyes, additionally seek medical help. Liquid ejected from the battery may cause irritation or burns.

## SAVE THESE INSTRUCTIONS.

**⚠WARNING:** Use of this product can create dust containing chemicals which may cause respiratory or other illnesses. Some examples of these chemicals are compounds found in pesticides, insecticides, fertilizers and herbicides.

Your risk from these exposures varies, depending on how often you do this type of work. To reduce your exposure to these chemicals: work in a well ventilated area, and work with approved safety equipment, such as those dust masks that are specially designed to filter out microscopic particles.

## Symbols

The followings show the symbols used for tool.

V	volts
— — —	direct current
$n_0$	no load speed
... /min r /min	revolutions or reciprocation per minute

## Important safety instructions for battery cartridge

1. Before using battery cartridge, read all instructions and cautionary markings on (1) battery charger, (2) battery, and (3) product using battery.
2. Do not disassemble battery cartridge.
3. If operating time has become excessively shorter, stop operating immediately. It may result in a risk of overheating, possible burns and even an explosion.
4. If electrolyte gets into your eyes, rinse them out with clear water and seek medical attention right away. It may result in loss of your eyesight.
5. Do not short the battery cartridge:
  - (1) Do not touch the terminals with any conductive material.
  - (2) Avoid storing battery cartridge in a container with other metal objects such as nails, coins, etc.
  - (3) Do not expose battery cartridge to water or rain.

A battery short can cause a large current flow, overheating, possible burns and even a breakdown.
6. Do not store the tool and battery cartridge in locations where the temperature may reach or exceed 50 °C (122 °F).
7. Do not incinerate the battery cartridge even if it is severely damaged or is completely worn out. The battery cartridge can explode in a fire.
8. Be careful not to drop or strike battery.
9. Do not use a damaged battery.
10. Follow your local regulations relating to disposal of battery.

## SAVE THESE INSTRUCTIONS.

**CAUTION:** Only use genuine Makita batteries. Use of non-genuine Makita batteries, or batteries that have been altered, may result in the battery bursting causing fires, personal injury and damage. It will also void the Makita warranty for the Makita tool and charger.

## Tips for maintaining maximum battery life

1. Charge the battery cartridge before completely discharged. Always stop tool operation and charge the battery cartridge when you notice less tool power.
2. Never recharge a fully charged battery cartridge. Overcharging shortens the battery service life.
3. Charge the battery cartridge with room temperature at 10 °C - 40 °C (50 °F - 104 °F). Let a hot battery cartridge cool down before charging it.
4. Charge the battery cartridge if you do not use it for a long period (more than six months).

## FUNCTIONAL DESCRIPTION

### Installing or removing battery cartridge

**CAUTION:** Always switch off the tool before installing or removing of the battery cartridge.

**CAUTION:** Make sure that you lock the battery cover before use. Otherwise, mud, dirt, or water may cause damage to the product or the battery cartridge.

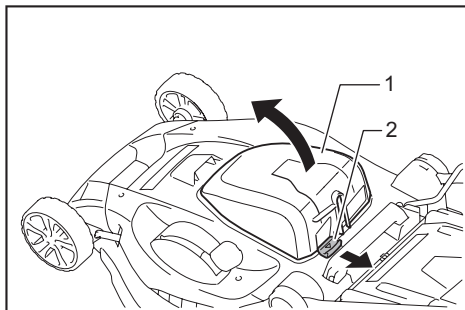
**CAUTION:** Always install the battery cartridge fully until the red indicator cannot be seen. If not, it may accidentally fall out of the tool, causing injury to you or someone around you.

**CAUTION:** Do not install the battery cartridge forcibly. If the cartridge does not slide in easily, it is not being inserted correctly.

**NOTE:** The tool does not work with only one battery cartridge.

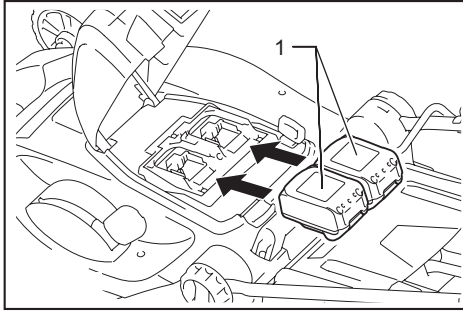
### To install the battery cartridge;

1. Slide the battery cover locking lever and open the battery cover.



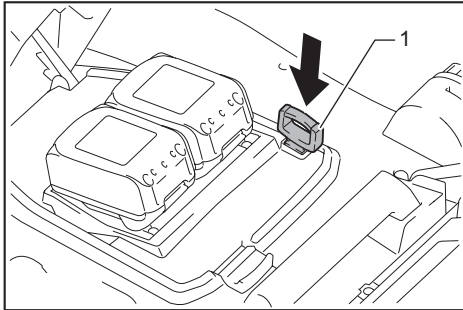
1. Battery cover 2. Battery cover locking lever

- Align the tongue on the battery cartridge with the slot on the mower then slide the cartridge until it locks in place with a little click. If you can see the red indicator on the upper side of the button, battery cartridge is not locked completely.



1. Battery cartridge

- Insert the lock key in the place shown in the figure as far as it will go.



1. Lock key

- Close the battery cover and push it until it is latched with the locking lever.

**To remove the battery cartridge from the mower;**

- Slide the battery cover locking lever and open the battery cover.
- Pull out the battery cartridge from the mower while sliding the button on the front of the cartridge.
- Pull out the lock key.
- Close the battery cover.

**Tool / battery protection system**

The tool is equipped with a tool/battery protection system. This system automatically cuts off power to the motor to extend tool and battery life. The tool will automatically stop during operation if the tool or battery is placed under one of the following conditions.

**Overload protection**

When the tool is operated in a manner that causes it to draw an abnormally high current, the tool automatically stops without any indication. In this situation, turn the tool off and stop the application that caused the tool to become overloaded. Then turn the tool on to restart.

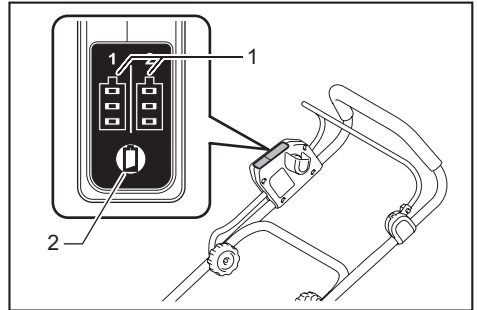
**Overheat protection**

When the tool is overheated, the tool stops automatically. Let the tool cool down before turning the tool on again.

**Overdischarge protection**

When the battery capacity becomes low, the tool stops automatically. If the product does not operate even when the switches are operated, remove the batteries from the tool and charge the batteries.

**Indicating the remaining battery capacity**



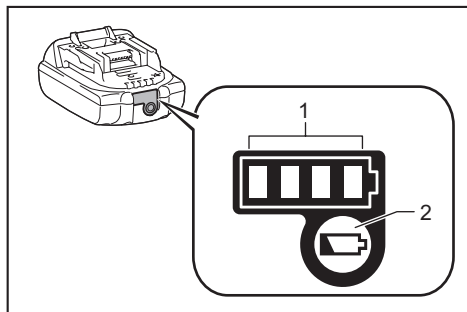
1. Battery indicator 2. Check button

Press the check button to indicate the remaining battery capacities. The battery indicators correspond to each battery.

Battery indicator status		Remaining battery capacity
On	Off	
		50% - 100%
		20% - 50%
		0% - 20%

## Indicating the remaining battery capacity

Only for battery cartridges with "B" at the end of the model number



1. Indicator lamps 2. Check button

Press the check button on the battery cartridge to indicate the remaining battery capacity. The indicator lamps light up for few seconds.

Indicator lamps			Remaining capacity
Lighted	Off	Blinking	
■ ■ ■ ■			75% to 100%
■ ■ ■ □			50% to 75%
■ ■ □ □			25% to 50%
■ □ □ □			0% to 25%
▣ □ □ □			Charge the battery.
■ ■ □ □			The battery may have malfunctioned.
□ □ ■ ■			

**NOTE:** Depending on the conditions of use and the ambient temperature, the indication may differ slightly from the actual capacity.

## Switch action

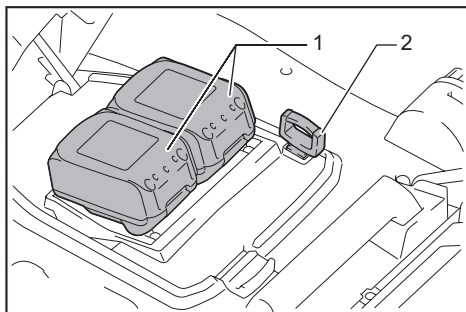
**⚠ WARNING:** Before installing the battery cartridge, always check to see that the switch lever actuates properly and returns to the original position when released. Operating a tool with a switch that does not actuate properly can lead to loss of control and serious personal injury.

**NOTE:** The mower does not start without pressing the switch button even the switch lever is pulled.

**NOTE:** Mower may not start due to the overload when you try to mow long or dense grass at a time. Increase the mowing height in this case.

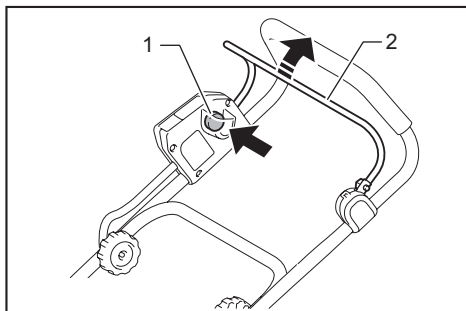
This mower is equipped with the interlock switch and handle switch. If you notice anything unusual with either of these switches, stop operation immediately and have them checked by your nearest Makita Authorized Service Center.

1. Install the battery cartridges. Insert the lock key into the interlock switch and then close the battery cover.



1. Battery cartridge 2. Lock key

2. Press the switch button and hold it.  
3. Grab the upper handle and pull the switch lever.



1. Switch button 2. Switch lever

4. Release the switch button as soon as the motor starts running. The mower will continue to run until you release the switch lever.  
5. Release the switch lever to stop the motor.

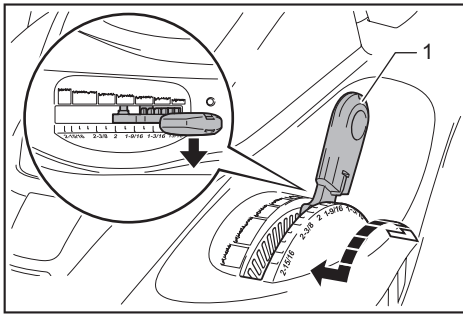
## Adjusting the mowing height

**⚠ WARNING:** Never put your hand or leg under the mower body when adjusting the mowing height.

**⚠ WARNING:** Always make sure that the lever fits in the groove properly before operation.

The mowing height can be adjusted in the range of between 20 mm (13/16") - 75 mm (2-15/16").

1. Remove the lock key.  
2. Pull the mowing height adjusting lever to the outward of the mower body and move it to your desired mowing height.

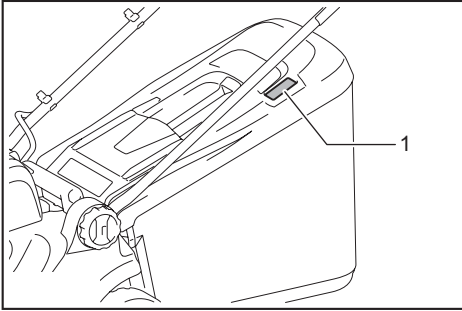


1. Mowing height adjusting lever

**NOTE:** The mowing height figures should be used just as a guideline. Depending on the conditions of the lawn or the ground, the actual lawn height may become slightly different from the set height.

**NOTE:** Try a test mowing of grass in a less conspicuous place to get your desired height.

### Grass level indicator



1. Grass level indicator

Grass level indicator shows the volume of mowed grass.

- When the grass basket is not full, the indicator floats during mowing.
- When the grass basket is full, the indicator does not float during mowing. In this case, stop mowing immediately and empty the basket. After emptying the basket, clean it so that its meshwork vents the air.

**NOTE:** This indicator is a rough guide. Depending on the conditions of inside of the basket, this indicator may not work properly.

## ASSEMBLY

**⚠WARNING:** Always be sure that the lock key and battery cartridge are removed before carrying out any work on the mower. Failure to remove the lock key and the battery cartridge may result in serious personal injury from accidental start-up.

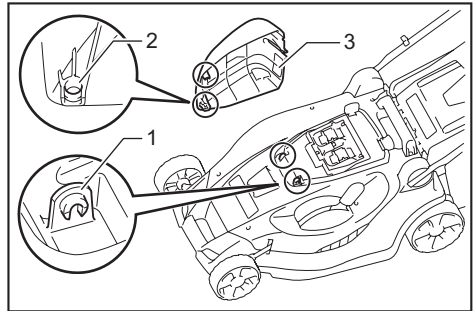
**⚠WARNING:** Never start the mower unless it is completely assembled. Operation of the tools in a partially assembled state may result in serious personal injury from accidental start-up.

### Installing the battery cover

**⚠WARNING:** Do not insert the lock key and battery cartridge before installing the battery cover. Failure to do so may cause a serious injury.

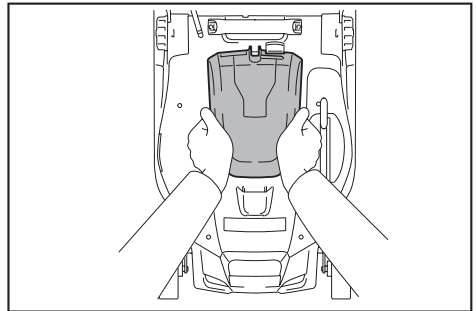
Install the battery cover completely before the operation. The battery cover protects the mower and battery cartridge from mud, dirt, and water.

1. Place the battery cover with the protrusions on the mower aligned to the holes on the battery cover.



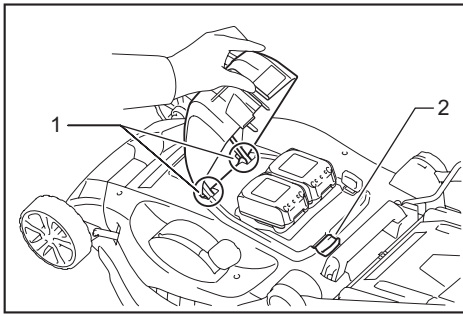
1. Protrusion 2. Hole 3. Battery cover

2. Place your hands in the middle of the battery cover and push it.



3. Before the first operation, check that the pivot point of the battery cover is attached properly. If the battery cover is installed correctly, it will not open until the battery cover locking lever is pulled.



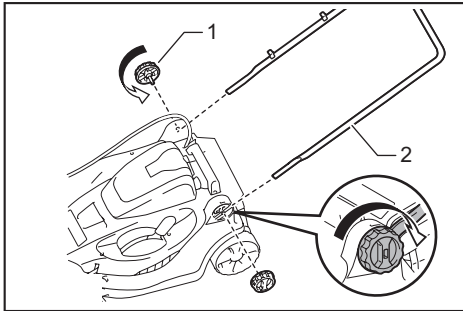


1. Pivot point 2. Battery cover locking lever

## Installing the handle

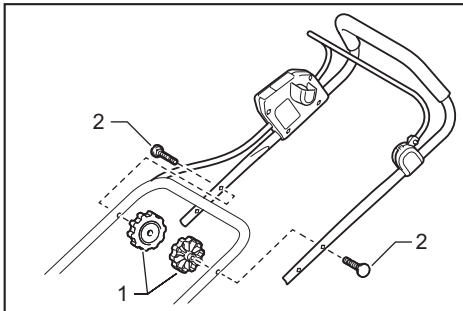
**NOTICE:** When installing handles, position the cords so that they are not caught by anything between the handles. If the cord is damaged, the mower switch may not work.

1. Slide the both ends of lower handle into the grooves of the mower then fully tighten the clamping screws.



1. Clamping screw 2. Lower handle

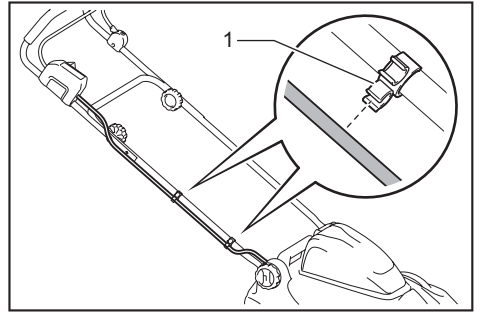
2. Align the screw holes of upper handle and lower handle. Secure them with the clamping screws and nuts.



1. Clamping nut 2. Clamping screw

**NOTE:** Hold the upper handle firmly so that it does not drop off your hand.

3. Attach the holders to the handle. Position the power supply cord as shown in the figure.



1. Holder

## Removing or installing the mower blade

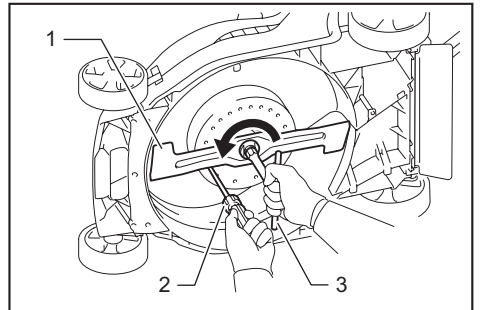
**WARNING:** Always remove the lock key and battery cartridge when removing or installing the blade. Failure to remove the lock key and battery cartridge may cause a serious injury.

**WARNING:** The blade coasts for a few seconds after releasing the switch. Do not start any operation until the blade comes to a complete stop.

**WARNING:** Always wear gloves when handling the blade.

To remove the mower blade, take the following steps.

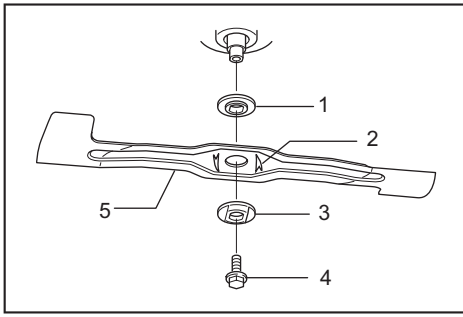
1. Put the mower on its side so that the mowing height adjusting lever comes to the upper side.
2. To lock the blade rotation, insert a screwdriver or a similar tool into a hole on the base of the blade.
3. Turn the bolt counterclockwise with the wrench.



1. Mower blade 2. Screwdriver 3. Wrench

4. Remove the bolt, outer flange, mower blade, and inner flange in order.





1. Inner flange
2. Rotational direction arrow
3. Outer flange
4. Bolt
5. Mower blade

To install the mower blade, take the removal procedure in reverse.

**⚠ WARNING:** Install the blade carefully. It has a top/bottom facing. Place the blade so that the rotational direction arrow faces outward.

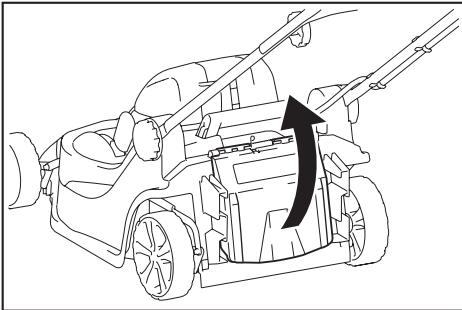
**⚠ WARNING:** Tighten the bolt clockwise firmly to secure the blade.

**⚠ WARNING:** Make sure that the blade and all the fixing parts are installed correctly and tightened securely.

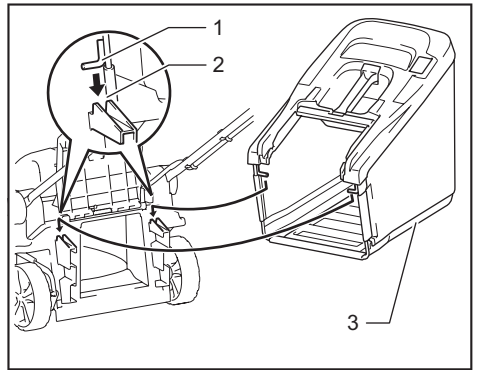
**⚠ WARNING:** When you replace the blades, always follow the instructions provided in this manual.

## Installing the grass basket

1. Remove the lock key.
2. Lift the rear guard of the mower body.



3. Hook the grass basket on the groove of the mower body as shown in the figure.



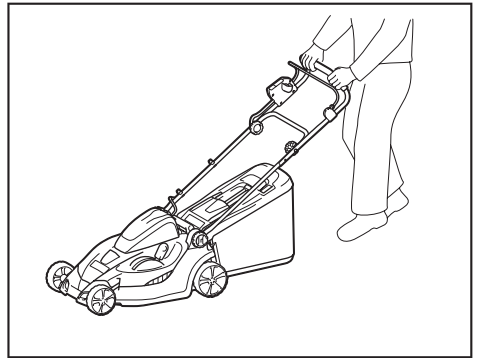
1. Hook
2. Groove
3. Grass basket

## OPERATION

### Mowing

**⚠ WARNING:** Before mowing, clear away sticks and stones from mowing area. Furthermore, clear away any weeds from mowing area in advance.

**⚠ WARNING:** Always wear the safety goggles or safety glasses with side shields when operating the mower.



Firmly hold the lawn mower handle with both hands when mowing.

The outside edges of the front wheels is the guideline for mowing width. Using the two front wheel outside edges as a guideline, mow in strips, overlapping by one half to one third the previous strip, to mow the lawn evenly.

Periodically check the grass basket for mowed grass. Empty the grass before it becomes full. Before every periodical check, be sure to stop the mower then remove the lock key and the battery cartridge.

**NOTE:** Using the mower with the grass basket full prevents smooth blade rotation and places an extra load on the motor, which may cause breakdown.

## Mowing a long-grass lawn

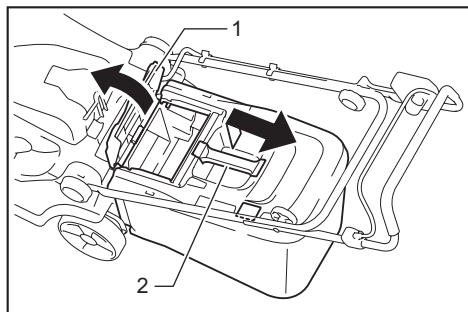
Do not try to cut long grass all in one go. Instead, mow the lawn in some steps. Leave a day or two between mows until the lawn becomes evenly short.

**NOTE:** Mowing long grass to a short length all in one go may cause the grass to die. The cut grass may also block up inside of the mower body.

## Emptying the grass basket

**⚠WARNING:** To reduce a risk of accident, regularly check the grass basket for any damage or weakened strength. Replace the grass basket if necessary.

1. Release the switch lever.
2. Remove the lock key.
3. Lift the rear guard and take out the grass basket by holding the handle.



1. Rear guard 2. Handle

4. Empty the grass basket.

## MAINTENANCE & STORAGE

**⚠WARNING:** Always be sure that the lock key and battery cartridge are removed from the mower before storage or attempting to perform inspection or maintenance.

**⚠WARNING:** Always remove the lock key when the mower is not in use. Store the lock key in a safe place out of reach of children.

**⚠WARNING:** Wear gloves when performing inspection or maintenance.

**NOTICE:** Never use gasoline, benzine, thinner, alcohol or the like. Discoloration, deformation or cracks may result.

### Maintenance

1. Remove the lock key. Store it in a safe place out of the reach of children.

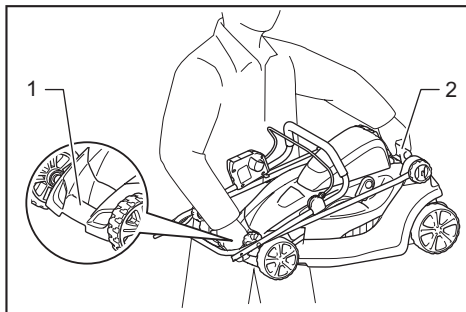
2. Clean the mower using only a wet cloth. Do not spray or pour water on the mower when cleaning.
3. Put the mower on its side and clean grass clippings accumulated on the underside of mower deck.
4. Check all nuts, bolts, knobs, screws, fasteners etc. for tightness.
5. Inspect moving parts for damage, breakage, and wear. Damaged or missing parts should be repaired or replaced.

### Storage

**⚠WARNING:** When carrying or storing the mower, do not hold the folded handles but the front grip of the mower. Holding the folded handles may cause a serious injury or damage to the mower.

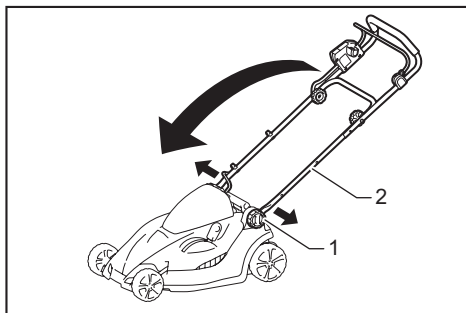
Before storing the mower, remove the battery cartridge from it.

Store mower indoors in a cool, dry and locked place. Don't store the mower and charger in locations where the temperature may reach or exceed 40 °C (104 °F).



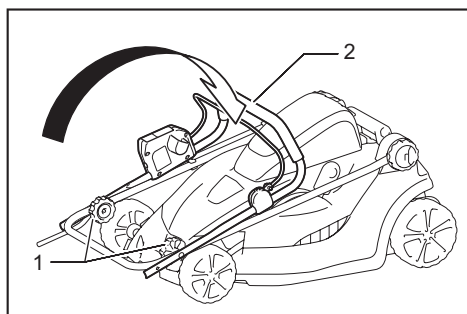
1. Front grip 2. Rear grip

1. Loosen the clamping screws and expand the lower handle to both sides. Move down the handle forward. At this time, keep a firm grip on the lower handle so that the handle does not fall down to the far side from the mower body.



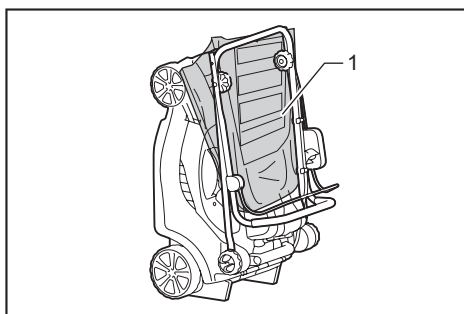
1. Clamping screw 2. Lower handle

2. Loosen the clamping nuts and pivot the upper handle back while expanding the both sides.



1. Clamping nut 2. Upper handle

3. Store the grass basket between the handle and the mower body.



1. Grass basket

**NOTE:** When putting the mower in the upright position, do not hold the handle but use the front grip of the mower.

To maintain product SAFETY and RELIABILITY, repairs, any other maintenance or adjustment should be performed by Makita Authorized or Factory Service Centers, always using Makita replacement parts.

## TROUBLE SHOOTING

Before asking for repairs, conduct your own inspection first. If you find a problem that is not explained in the manual, do not attempt to dismantle the tool. Instead, ask Makita Authorized Service Centers, always using Makita replacement parts for repairs.

State of abnormality	Probable cause (malfunction)	Remedy
Mower does not start.	Two battery cartridges are not installed.	Install the charged battery cartridges.
	Battery problem (under voltage)	Recharge the battery cartridge. If recharging is not effective, replace battery cartridge.
	The lock key is not inserted.	Insert the lock key.
Motor stops running after a little use.	Battery's charge level is low.	Recharge the battery cartridge. If recharging is not effective, replace battery cartridge.
	Cutting height is too low.	Raise the cutting height.
Motor does not reach maximum RPM.	Battery cartridge is installed improperly.	Install the battery cartridge as described in this manual.
	Battery power is dropping.	Recharge the battery cartridge. If recharging is not effective, replace battery cartridge.
	The drive system does not work correctly.	Ask your local authorized service center for repair.
Cutting tool does not rotate: ⇒ stop the mower immediately!	Foreign object such as a branch is jammed near the blade.	Remove the foreign object.
	The drive system does not work correctly.	Ask your local authorized service center for repair.
Abnormal vibration: ⇒ stop the mower immediately!	Blade is imbalanced, excessively or unevenly worn.	Replace the blade.

# OPTIONAL ACCESSORIES

**⚠ CAUTION:** These accessories or attachments are recommended for use with your Makita tool specified in this manual. The use of any other accessories or attachments might present a risk of injury to persons. Only use accessory or attachment for its stated purpose.

If you need any assistance for more details regarding these accessories, ask your local Makita Service Center.

- Mower blade
- Makita genuine battery and charger

**NOTE:** Some items in the list may be included in the tool package as standard accessories. They may differ from country to country.

## MAKITA LIMITED ONE YEAR WARRANTY

### Warranty Policy

Every Makita tool is thoroughly inspected and tested before leaving the factory. It is warranted to be free of defects from workmanship and materials for the period of ONE YEAR from the date of original purchase.

Should any trouble develop during this one year period, return the COMPLETE tool, freight prepaid, to one of Makita's Factory or Authorized Service Centers. If inspection shows the trouble is caused by defective workmanship or material, Makita will repair (or at our option, replace) without charge.

This Warranty does not apply where:

- repairs have been made or attempted by others:
- repairs are required because of normal wear and tear:
- the tool has been abused, misused or improperly maintained:
- alterations have been made to the tool.

IN NO EVENT SHALL MAKITA BE LIABLE FOR ANY INDIRECT, INCIDENTAL OR CONSEQUENTIAL DAMAGES FROM THE SALE OR USE OF THE PRODUCT. THIS DISCLAIMER APPLIES BOTH DURING AND AFTER THE TERM OF THIS WARRANTY.

MAKITA DISCLAIMS LIABILITY FOR ANY IMPLIED WARRANTIES, INCLUDING IMPLIED WARRANTIES OF "MERCHANTABILITY" AND "FITNESS FOR A SPECIFIC PURPOSE," AFTER THE ONE YEAR TERM OF THIS WARRANTY.

This Warranty gives you specific legal rights, and you may also have other rights which vary from state to state. Some states do not allow the exclusion or limitation of incidental or consequential damages, so the above limitation or exclusion may not apply to you. Some states do not allow limitation on how long an implied warranty lasts, so the above limitation may not apply to you.

# SPÉCIFICATIONS

<b>Modèle :</b>		<b>XML02</b>	
Largeur de tonte (diamètre de lame)		430 mm (17")	
Vitesse à vide		3 600 /min	
Dimensions (L x P x H)	durant le fonctionnement	Max. 1 490 mm x 460 mm x 1 020 mm (58-3/4" x 18-1/8" x 40-1/4") Min. 1 450 mm x 460 mm x 950 mm (57" x 18-1/8" x 37-1/2")	
	lorsque remisé (sans le collecteur d'herbe)	490 mm x 460 mm x 910 mm (19-1/4" x 18-1/8" x 35-3/4")	
Tension nominale		C.C. 36 V	
Batterie(s) standard		BL1815N/BL1820/BL1820B	BL1830/BL1840/BL1850/ BL1840B/BL1850B
▲ Mise en garde : Utilisez uniquement les batteries indiquées.			
Poids net		18,0 kg (39,7lbs)	18,5 kg (40,8 lbs)

- Étant donné l'évolution constante de notre programme de recherche et de développement, les spécifications contenues dans ce manuel sont indiquées sous réserve de modification sans préavis.
- Les spécifications et la batterie peuvent varier suivant les pays.
- Poids, batterie comprise, selon la procédure EPTA de 01/2003

## IMPORTANTES CONSIGNES DE SÉCURITÉ

**▲ MISE EN GARDE : Pour réduire les risques d'incendie, de décharge électrique et de blessure lors de l'utilisation des tondeuses électriques, il importe de toujours prendre des mesures de sécurité élémentaires, dont les suivantes.**

### Lisez toutes les instructions.

Vous devez lire, comprendre et respecter toutes les instructions inscrites sur la tondeuse et dans les manuels d'instructions. Avant de commencer, familiarisez-vous bien avec les commandes et l'utilisation adéquate de la tondeuse.

#### ▲ MISE EN GARDE !

- Évitez les environnements dangereux** - N'utilisez jamais la tondeuse dans les emplacements humides ou mouillés. Assurez-vous toujours d'être en position stable; saisissez fermement le guidon et marchez; ne courez jamais.
- Évitez l'utilisation sous la pluie.**
- Tenez les enfants à distance** - Tous les visiteurs doivent être maintenus à une distance raisonnable de la zone de travail. Soyez attentif et éteignez la tondeuse si un enfant s'approche de la zone de travail. Soyez particulièrement vigilant aux abords d'angles sans visibilité, de buissons, d'arbres ou d'autres obstacles qui pourraient vous empêcher de voir un enfant.
- Portez des vêtements adéquats** - Ne portez ni vêtements amples ni bijoux. Ils pourraient être happés par les pièces mobiles. Le port de gants de caoutchouc et de chaussures robustes est recommandé pour les travaux extérieurs. Ne faites pas fonctionner la tondeuse si vous êtes pieds nus ou si vous portez des sandales ouvertes.
- Portez des lunettes de sécurité** - Si le travail génère de la poussière, portez toujours un écran facial ou un masque antipoussières.
- Utilisez le bon appareil** - N'utilisez pas la tondeuse pour effectuer un travail pour lequel elle n'a pas été conçue.
- Ne forcez pas la tondeuse** - Elle effectuera un travail de meilleure qualité et plus sécuritaire si elle est utilisée au régime pour lequel elle a été conçue.
- Ne vous étirez pas trop** - Assurez-vous d'une bonne prise au sol et d'une bonne position d'équilibre en tout temps. Ne tondez pas près des descentes abruptes, fossés et talus. Vous risqueriez de perdre pied ou de perdre l'équilibre.
- Restez vigilant** - Soyez attentif à vos gestes. Faites preuve de bon sens. N'utilisez pas la tondeuse lorsque vous êtes fatigué. N'utilisez pas la machine si vous avez consommé de l'alcool ou une drogue. Un moment d'inattention pendant l'utilisation de la tondeuse peut entraîner une grave blessure.
- Débranchez la tondeuse** - Débranchez la tondeuse ou retirez la batterie après l'utilisation, avant de réparer la tondeuse, de la nettoyer ou d'en retirer un matériau, ou avant de remplacer des accessoires tels que les lames.
- Après l'utilisation, remisez la tondeuse à l'intérieur** - Lorsqu'elle n'est pas utilisée, la tondeuse doit être remise à l'intérieur dans un emplacement sec et verrouillé, hors d'atteinte des enfants.
- Entretenez la tondeuse avec soin** - Pour un rendement supérieur et un fonctionnement plus sécuritaire, gardez les tranchants aiguisés et propres. Suivez les instructions de lubrification et de changement des accessoires. Inspectez régulièrement le cordon de la tondeuse; s'il est endommagé, faites-le réparer dans un centre de service après-vente agréé. Maintenez les guidons secs, propres et exempts d'huile ou de graisse.
- Évitez l'accumulation d'herbe, de feuilles ou d'autres débris dans la machine. Gardez les protections en place et en état de fonctionnement.**
- Gardez les lames affûtées.**

15. **N'approchez pas les mains et les pieds de la zone de coupe. Tenez-vous éloigné de l'ouverture de décharge en tout temps.**
16. **Des objets heurtés par la lame de tondeuse peuvent causer de graves blessures aux personnes se trouvant à proximité. La pelouse doit toujours être examinée attentivement et débarrassée de tout objet avant la tonte. Restez derrière le guidon pendant que le moteur tourne.**
17. **Si la tondeuse heurte un corps étranger, suivez ces étapes :**
  - Arrêtez la tondeuse. Relâchez l'interrupteur. Attendez l'arrêt complet de la lame.
  - Retirez la clé et la batterie.
  - Vérifiez l'absence de dommages sur la tondeuse.
  - Réparez tout dommage sur la tondeuse avant de la redémarrer et de l'utiliser. Remplacez la lame si elle est endommagée.
18. **Utilisez uniquement des lames de rechange identiques.**
19. **Ce dispositif de coupe peut amputer des mains et des pieds et éjecter des objets. Le non-respect des consignes de sécurité suivantes peut entraîner de graves blessures ou la mort.**
20. **N'autorisez que des adultes responsables, qui connaissent les instructions, à utiliser la tondeuse.**
21. **Avant de tondre, assurez-vous qu'il n'y a personne d'autre que vous dans la zone. Arrêtez la tondeuse si quelqu'un pénètre dans la zone.**
22. **Assurez-vous que les matériaux projetés ne le soient jamais en direction de qui que ce soit. Évitez de projeter les matériaux contre un mur ou un obstacle.** Ces matériaux pourraient ricocher vers l'utilisateur. Arrêtez la lame lorsque vous traversez une surface de gravier.
23. **Ne tirez pas la tondeuse vers l'arrière, à moins que cela ne soit absolument nécessaire.** Si vous devez tirer la tondeuse vers l'arrière pour éviter une clôture ou autre obstacle similaire, regardez en bas et derrière avant et pendant la marche arrière.
24. **Relâchez le levier d'interrupteur et attendez que la lame cesse de tourner avant de traverser une voie d'accès pour autos, une allée, une route ou toute surface couverte de gravier.** Retirez également la clé si vous vous en éloignez, si vous vous étirez pour ramasser ou enlever quelque chose de votre passage, ou pour toute autre raison qui pourrait détourner votre attention.
25. **N'utilisez pas la machine sans que le bac de ramassage, la protection d'évacuation, la protection arrière et les autres dispositifs de sécurité ne soient installés et en fonctionnement.**
26. **Arrêtez le moteur et retirez la clé chaque fois que vous vous éloignez de l'équipement, avant de nettoyer la tondeuse ou de déboucher le déflecteur et de faire des réparations ou inspections.**
27. **Éteignez le moteur et attendez l'arrêt complet de la lame avant de retirer le bac de ramassage.** Soyez conscient du fait que la lame continue de tourner en roue libre après l'arrêt du moteur.
28. **Ne tondez qu'à la lumière du jour ou avec une bonne lumière artificielle.**
29. **Désengagez le mécanisme automoteur ou l'embrayage de la tondeuse avant d'allumer le moteur.**
30. **Si l'équipement commence à vibrer anormalement, arrêtez le moteur et recherchez immédiatement la cause.** Une vibration est en général un signe de dysfonctionnement.
31. **N'insérez pas la clé dans la tondeuse si celle-ci n'est pas prête pour l'utilisation.**
32. **Lorsque vous prenez ou tenez l'appareil, ne le faites pas par les lames nues ou par les bords tranchants.**
33. **Avant l'utilisation, vérifiez toujours soigneusement l'absence de fissures ou de dommages sur les lames. Remplacez immédiatement toute lame fissurée ou endommagée.**
34. **N'essayez jamais de régler la hauteur des roues alors que la tondeuse est en marche.**
35. **Vérifiez régulièrement l'usure ou la détérioration du collecteur d'herbe. Assurez-vous toujours que le collecteur d'herbe est vide avant le remisage.** Si le collecteur d'herbe est usé, faites-le remplacer en usine par un collecteur neuf pour plus de sécurité.
36. **Vérifiez régulièrement les composants du collecteur d'herbe et la protection de décharge, et remplacez-les au besoin en utilisant les pièces recommandées par le fabricant.**
37. **Tondez les pentes dans le sens transversal, jamais en montant ou en descendant. Soyez particulièrement prudent lors des changements de direction sur les terrains en pente. Ne tondez pas sur des pentes excessivement raides.**
38. **Faites attention aux trous, ornières, bosses, cailloux ou autres obstacles cachés.** Un terrain irrégulier présente des risques de glissades et de chutes. Des obstacles peuvent être cachés dans les herbes hautes.
39. **N'utilisez pas la tondeuse sur de l'herbe mouillée ou des pentes excessivement raides.** Une position instable présente des risques de glissades et de chutes.
40. **Ne lavez pas la machine avec un tuyau d'arrosage; évitez que de l'eau ne pénètre dans le moteur et dans les connexions électriques.**
41. **Vérifiez à intervalles réguliers si le boulon de fixation de la lame est bien serré.**
42. **Assurez-vous que tous les écrous, boulons et vis sont bien serrés pour garantir un fonctionnement sécuritaire de l'équipement.**
43. **Ne retirez pas et ne modifiez pas les dispositifs de sécurité. Vérifiez régulièrement leur bon fonctionnement. N'entrez jamais le fonctionnement prévu des dispositifs de sécurité et ne limitez jamais la protection qu'ils offrent.**
44. **Les étiquettes de sécurité et d'instructions doivent être entretenues ou remplacées si nécessaire.**
45. **Utilisation et entretien de la batterie**
  - **N'effectuez la recharge qu'avec le chargeur spécifié par le fabricant.** Un chargeur conçu pour un certain type de batterie risque de déclencher un incendie s'il est utilisé avec une autre batterie.
  - **Ne rechargez pas la tondeuse sous la pluie ou dans un endroit mouillé.**
  - **Lors du remplacement des batteries, il convient de remplacer toutes les batteries en même temps.** Mélanger des batteries fraîches et

des batteries déchargées peut faire augmenter la pression interne de la cellule et causer la rupture de la batterie déchargée.

- **N'utilisez les outils électriques qu'avec les batteries spécifiquement désignées.** L'utilisation d'autres batteries comporte un risque de blessure et d'incendie.
- **Lorsque la batterie n'est pas utilisée, tenez-la à distance des objets métalliques tels que trombones, pièces de monnaie, clés, clous, vis ou autres petits objets métalliques, conducteurs potentiels entre une borne et une autre.** Court-circuiter les bornes de batterie peut entraîner des brûlures ou un incendie.
- **Dans des conditions abusives, du liquide peut s'échapper de la batterie; évitez tout contact.** En cas de contact accidentel, rincez avec beaucoup d'eau. Si le liquide pénètre dans vos yeux, il faut aussi consulter un médecin. Le liquide qui s'échappe de la batterie peut causer des irritations ou des brûlures.

## CONSERVEZ CES INSTRUCTIONS.

**⚠ MISE EN GARDE :** L'utilisation de ce produit peut générer des poussières contenant des substances chimiques, lesquelles peuvent causer des problèmes respiratoires ou autres maladies. Parmi ces substances chimiques figurent les composés que l'on retrouve dans les pesticides, insecticides, fertilisants et herbicides.

Les risques liés à l'exposition varient suivant la fréquence d'exécution du type de travail en question. Pour réduire votre exposition à ces substances chimiques : travaillez dans un emplacement bien aéré et avec des dispositifs de sécurité approuvés, tels que les masques antipoussières spécialement conçus pour filtrer les particules microscopiques.

### Symboles

Les symboles utilisés pour l'outil sont indiqués ci-dessous.

v	volts
— ---	courant continu
n <sub>o</sub>	vitesse à vide
... /min r /min	tours ou alternances par minute

### Consignes de sécurité importantes pour la batterie

1. Avant d'utiliser la batterie, lisez toutes les instructions et les mises en garde apposées sur (1) le chargeur de batterie, (2) la batterie et (3) le produit utilisant la batterie.

2. **Ne démontez pas la batterie.**
3. **Cessez immédiatement l'utilisation si le temps de fonctionnement devient excessivement court.** Il y a risque de surchauffe, de brûlures, voire d'explosion.
4. **Si l'électrolyte pénètre dans vos yeux, rincez-les à l'eau claire et consultez immédiatement un médecin.** Il y a risque de perte de la vue.
5. **Ne court-circuitez pas la batterie :**
  - (1) **Ne touchez les bornes avec aucun matériau conducteur.**
  - (2) **Évitez de ranger la batterie dans un conteneur avec d'autres objets métalliques tels que clous, pièces de monnaie, etc.**
  - (3) **Évitez d'exposer la batterie à l'eau ou à la pluie.**Un court-circuit de la batterie pourrait provoquer un fort courant, une surchauffe, parfois des brûlures et même une panne.
6. **Ne rangez pas l'outil ou la batterie dans des emplacements où la température peut atteindre ou dépasser 50 °C (122 °F).**
7. **Ne jetez pas la batterie au feu même si elle est sérieusement endommagée ou complètement épuisée.** La batterie peut exploser au contact du feu.
8. **Prenez garde d'échapper ou de heurter la batterie.**
9. **N'utilisez pas une batterie si elle est endommagée.**
10. **Suivez la réglementation locale concernant l'élimination de la batterie.**

## CONSERVEZ CES INSTRUCTIONS.

**⚠ ATTENTION :** Utilisez exclusivement les batteries fabriquées par Makita. Les batteries autres que celles fabriquées par Makita ou les batteries modifiées peuvent exploser et causer un incendie, une blessure ou des dommages. Cela annule aussi la garantie Makita de l'outil et du chargeur Makita.

## Conseils pour maintenir la durée de service maximale de la batterie

1. **Rechargez la batterie avant qu'elle ne soit complètement déchargée.** Arrêtez toujours l'outil et rechargez la batterie quand vous remarquez que la puissance de l'outil diminue.
2. **Ne rechargez jamais une batterie complètement chargée.** La surcharge réduit la durée de service de la batterie.
3. **Chargez la batterie à une température ambiante comprise entre 10 °C et 40 °C (50 °F et 104 °F).** Si la batterie est chaude, laissez-la refroidir avant de la charger.
4. **Chargez la batterie si elle est restée inutilisée pendant une période prolongée (plus de six mois).**



# DESCRIPTION DU FONCTIONNEMENT

## Installation ou retrait de la batterie

**⚠ ATTENTION :** Éteignez toujours l'outil avant d'installer ou de retirer la batterie.

**⚠ ATTENTION :** Assurez-vous de verrouiller le couvercle de batterie avant l'utilisation. Autrement la boue, les saletés ou l'eau risqueraient d'endommager le produit ou la batterie.

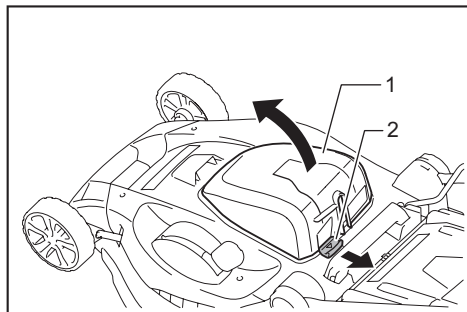
**⚠ ATTENTION :** Insérez toujours la batterie à fond, jusqu'à ce que le voyant rouge ne soit plus visible. Autrement elle risque de tomber accidentellement de l'outil, ce qui comporte un risque de blessure pour vous-même et pour les personnes présentes.

**⚠ ATTENTION :** Ne forcez pas sur la batterie pour l'installer. Si la batterie ne glisse pas facilement, c'est qu'elle n'est pas insérée correctement.

**NOTE :** L'outil ne fonctionne pas lorsqu'il n'y a qu'une seule batterie.

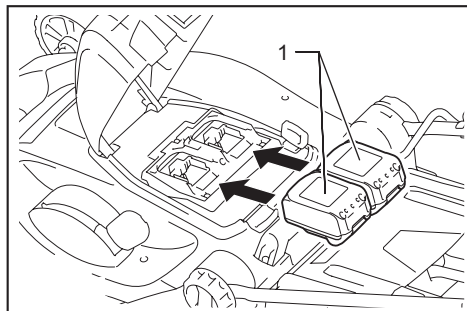
### Pour installer la batterie :

1. Faites glisser le levier de verrouillage du couvercle de batterie et ouvrez le couvercle de batterie.



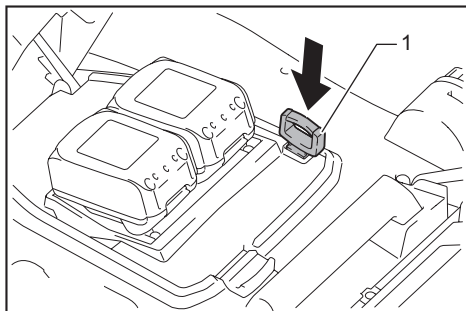
1. Couvercle de batterie 2. Levier de verrouillage du couvercle de batterie

2. Alignez la languette de la batterie sur la fente de la tondeuse, puis glissez la batterie jusqu'à ce qu'elle se verrouille avec un léger bruit sec. Si le voyant rouge est visible sur la face supérieure du bouton, la batterie n'est pas parfaitement verrouillée.



1. Batterie

3. Insérez la clé de sécurité à fond à l'emplacement indiqué sur la figure.



1. Clé de sécurité

4. Fermez le couvercle de batterie et appuyez dessus jusqu'à ce qu'il soit verrouillé par le levier de verrouillage.

### Pour retirer la batterie de la tondeuse :

1. Faites glisser le levier de verrouillage du couvercle de batterie et ouvrez le couvercle de batterie.

2. Retirez la batterie de la tondeuse tout en faisant glisser le bouton à l'avant de la batterie.

3. Retirez la clé de sécurité.

4. Fermez le couvercle de batterie.

## Dispositif de protection de l'outil et de la batterie

L'outil est doté d'un dispositif de protection de l'outil et de la batterie. Ce dispositif coupe automatiquement l'alimentation du moteur pour augmenter la durée de service de l'outil et de la batterie. L'outil s'arrête automatiquement pendant l'utilisation lorsque l'outil ou la batterie est dans l'une des situations suivantes. Dans certaines situations, les voyants s'allument.

### Protection contre la surcharge

Lorsque l'outil est utilisé d'une manière entraînant une consommation anormale de courant, il s'arrête automatiquement sans aucune indication. Dans ce cas, éteignez l'outil et arrêtez l'activité qui entraîne une surcharge de l'outil. Remettez ensuite le contact pour redémarrer.

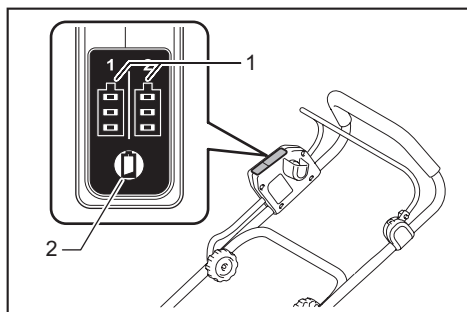
### Protection contre la surchauffe

Lorsque l'outil surchauffe, il s'arrête automatiquement et le voyant de batterie clignote pendant environ 60 secondes. Dans ce cas, laissez refroidir l'outil avant de remettre le contact.

### Protection contre la décharge excessive

Lorsque la charge de la batterie est basse, l'outil s'arrête automatiquement. Si l'appareil ne fonctionne pas même lorsque vous activez les interrupteurs, retirez les batteries de l'outil et rechargez-les.

## Indication de la charge restante de la batterie



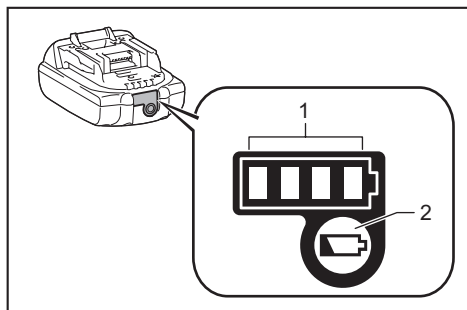
1. Voyant de batterie 2. Bouton de vérification

Appuyez sur le bouton de vérification pour afficher la charge restante des batteries. Les voyants de batterie correspondent à chacune des batteries.

État du voyant de batterie		Charge restante de la batterie
Allumé	Éteint	
		50 % - 100 %
		20 % - 50 %
		0 % - 20 %

## Affichage de la charge restante de la batterie

Uniquement pour les batteries dont le numéro de modèle se termine par « B »



1. Témoins indicateurs 2. Bouton de vérification

Appuyez sur le bouton de vérification de la batterie pour afficher la charge restante de la batterie. Les témoins indicateurs s'allument pendant quelques secondes.

Témoins indicateurs			Charge restante
Allumé	Éteint	Clignotant	
			75 % à 100 %
			50 % à 75 %
			25 % à 50 %
			0 % à 25 %
			Chargez la batterie.
			La batterie a peut-être mal fonctionné.

**NOTE :** Suivant les conditions d'utilisation et la température ambiante, il se peut que l'indication soit légèrement différente de la charge réelle.

## Interrupteur

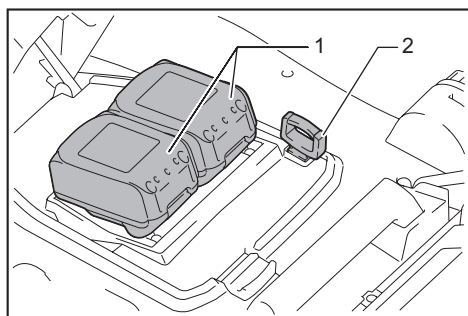
**⚠ MISE EN GARDE :** Avant d'installer la batterie, vérifiez toujours si le levier d'interrupteur fonctionne correctement et revient en position originale lorsqu'il est relâché. Faire fonctionner un outil avec un interrupteur qui ne fonctionne pas correctement peut causer une perte de contrôle et de graves blessures.

**NOTE :** Même si vous tirez sur le levier d'interrupteur, la tondeuse ne démarrera pas si vous n'appuyez pas sur le bouton d'interrupteur.

**NOTE :** Il se peut que la tondeuse ne démarre pas, en raison de la surcharge, si vous essayez de tondre une herbe trop longue ou trop dense en une seule passe. Dans ce cas, augmentez la hauteur de tonte.

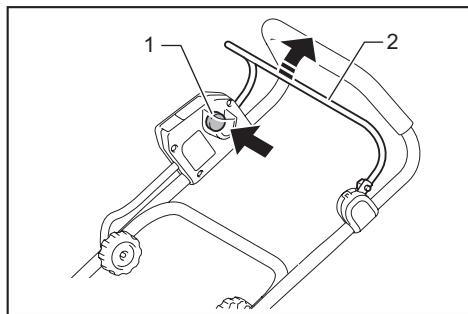
Cette tondeuse est équipée d'un interrupteur d'interverrouillage et d'un interrupteur de guidon. Si vous remarquez quelque chose d'inhabituel avec ces interrupteurs, arrêtez immédiatement le fonctionnement et faites-les vérifier au centre de service après-vente Makita agréé le plus près.

1. Installez les batteries. Insérez la clé de sécurité dans l'interrupteur d'interverrouillage, puis fermez le couvercle de batterie.



1. Batterie 2. Clé de sécurité

- Maintenez le bouton d'interrupteur enfoncé.
- Saisissez le guidon supérieur et tirez sur le levier d'interrupteur.



1. Bouton d'interrupteur 2. Levier d'interrupteur

- Relâchez le bouton d'interrupteur dès que le moteur se met en marche. La tondeuse continuera de fonctionner jusqu'à ce que vous relâchiez le levier d'interrupteur.
- Relâchez le levier d'interrupteur pour arrêter le moteur.

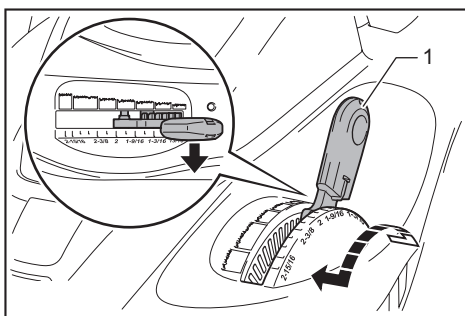
## Réglage de la hauteur de tonte

**⚠ MISE EN GARDE :** Ne mettez jamais une main ou une jambe sous le corps de la tondeuse pendant que vous réglez la hauteur de tonte.

**⚠ MISE EN GARDE :** Veillez toujours à ce que le levier soit bien dans la rainure avant d'effectuer l'opération.

La hauteur de tonte est réglable sur une plage de 20 mm (13/16") à 75 mm (2-15/16").

- Retirez la clé de sécurité.
- Tirez le levier de réglage de la hauteur de tonte vers l'extérieur du corps de la tondeuse, et déplacez-le sur la hauteur de tonte désirée.

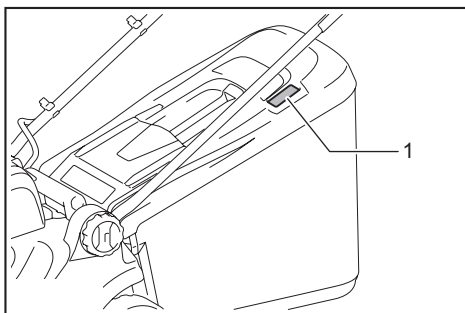


1. Levier de réglage de la hauteur de tonte

**NOTE :** Les chiffres de la hauteur de tonte ne sont là qu'à titre indicatif. Suivant l'état du gazon ou du sol, la hauteur de coupe obtenue peut être légèrement différente de la hauteur réglée.

**NOTE :** Testez la tonte de l'herbe dans un endroit moins visible pour obtenir la hauteur désirée.

## Indicateur de niveau d'herbe



1. Indicateur de niveau d'herbe

L'indicateur de niveau d'herbe indique le volume d'herbe tondue.

- Lorsque le collecteur d'herbe n'est pas plein, l'indicateur flotte pendant la tonte.
- Lorsque le collecteur d'herbe est plein, l'indicateur ne flotte pas pendant la tonte. Dans ce cas, arrêtez immédiatement de tondre et videz le collecteur. Après avoir vidé le collecteur, nettoyez-le afin que le grillage laisse passer l'air.

**NOTE :** Cet indicateur est approximatif. Suivant le contenu du collecteur, cet indicateur peut ne pas fonctionner correctement.

# ASSEMBLAGE

**▲ MISE EN GARDE :** Assurez-vous toujours que la clé de sécurité et la batterie sont retirées avant d'effectuer toute opération sur la tondeuse. Si vous ne retirez pas la clé de sécurité et la batterie, vous risquez une grave blessure suite à un démarrage accidentel.

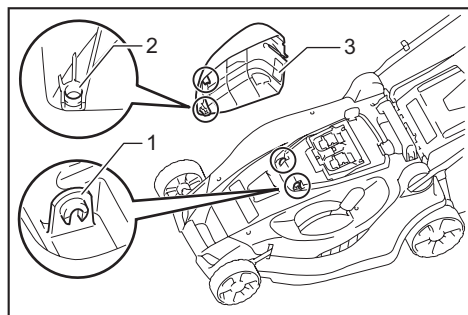
**▲ MISE EN GARDE :** Ne démarrez jamais la tondeuse avant qu'elle ne soit complètement assemblée. L'utilisation d'outils partiellement assemblés peut entraîner une blessure grave suite à un démarrage accidentel.

## Pose du couvercle de batterie

**▲ MISE EN GARDE :** N'insérez pas la clé de sécurité et la batterie avant d'avoir installé le couvercle de batterie. Autrement, il y a risque de blessure grave.

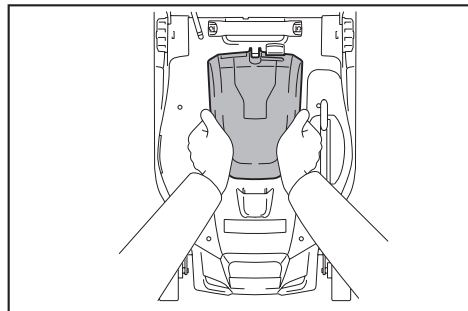
Avant l'utilisation, installez parfaitement le couvercle de batterie. Le couvercle de batterie protège la tondeuse et la batterie contre la boue, les saletés et l'eau.

1. Placez le couvercle de batterie en alignant les parties saillantes de la tondeuse sur les trous du couvercle de batterie.

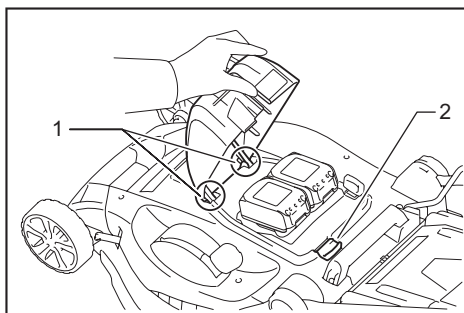


1. Partie saillante
2. Trou
3. Couvercle de batterie

2. Placez vos mains au milieu du couvercle de batterie et appuyez dessus.



3. Avant la première utilisation, vérifiez que le point de pivotement du couvercle de batterie est adéquatement fixé. Si le couvercle de batterie est bien installé, il ne s'ouvrira qu'en tirant sur le levier de verrouillage du couvercle de batterie.

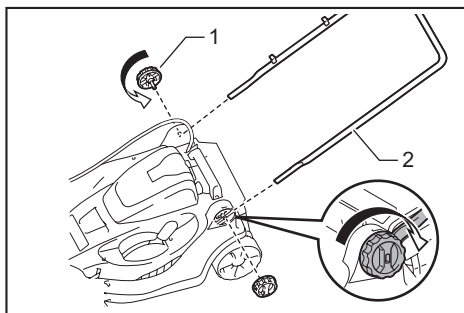


1. Point de pivotement
2. Levier de verrouillage du couvercle de batterie

## Pose du guidon

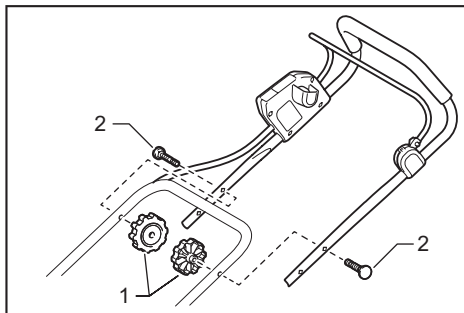
**AVIS :** Lorsque vous installez les guidons, positionnez les cordons de sorte qu'ils ne soient pas pris entre les guidons. La tondeuse risque de ne pas fonctionner si le cordon est endommagé.

1. Glissez les deux extrémités du guidon inférieur dans les rainures de la tondeuse, puis serrez fermement les vis de serrage.



1. Vis de serrage
2. Guidon inférieur

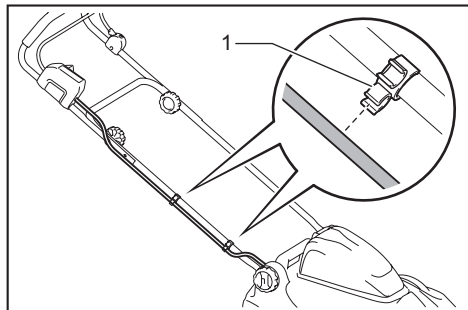
2. Alignez les trous de vis des guidons supérieur et inférieur. Fixez-les à l'aide des vis et écrous de serrage.



1. Écrou de serrage
2. Vis de serrage

**NOTE :** Tenez le guidon supérieur fermement, pour ne pas l'échapper.

3. Fixez les supports au guidon. Placez le cordon d'alimentation tel qu'illustré sur la figure.



1. Support

## Retrait ou pose de la lame de tondeuse

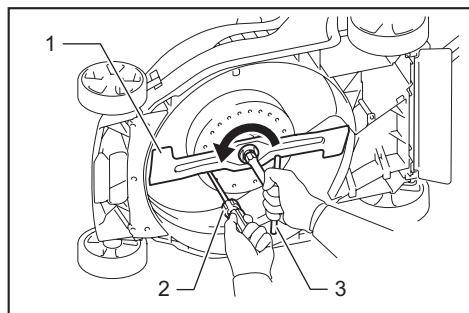
**MISE EN GARDE :** Enlevez toujours la clé de sécurité et la batterie lorsque vous retirez ou installez la lame. Vous risquez une grave blessure si vous ne retirez pas la clé de sécurité et la batterie.

**MISE EN GARDE :** La lame continue de tourner pendant quelques secondes après la libération de l'interrupteur. Ne commencer aucune opération avant l'arrêt parfait de la lame.

**MISE EN GARDE :** Portez toujours des gants lorsque vous manipulez la lame.

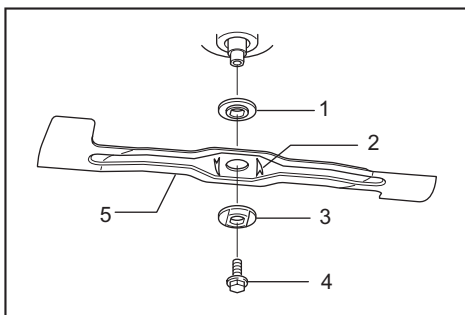
Pour retirer la lame de tondeuse, suivez les étapes ci-dessous.

1. Basculez la tondeuse sur le côté, de sorte que le levier de réglage de la hauteur de tonte se trouve sur le dessus.
2. Pour empêcher la lame de tourner, insérez un tournevis ou outil similaire dans le trou à la base de la lame.
3. Tournez le boulon dans le sens contraire des aiguilles d'une montre à l'aide de la clé.



1. Lame de tondeuse 2. Tournevis 3. Clé

4. Retirez le boulon, le flasque externe, la lame de tondeuse et le flasque interne, dans cet ordre.



1. Flasque interne 2. Flèche de sens de rotation 3. Flasque externe 4. Boulon 5. Lame de tondeuse

Pour installer la lame de tondeuse, suivez la procédure de retrait en sens inverse.

**MISE EN GARDE :** Installez la lame soigneusement. Elle a une face supérieure et une face inférieure. Placez la lame de sorte que la flèche de sens de rotation pointe vers l'extérieur.

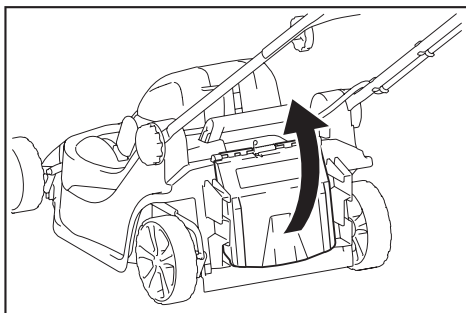
**MISE EN GARDE :** Serrez fermement le boulon dans le sens des aiguilles d'une montre pour fixer la lame.

**MISE EN GARDE :** Assurez-vous que la lame et toutes les pièces de fixation sont bien installées et serrées fermement.

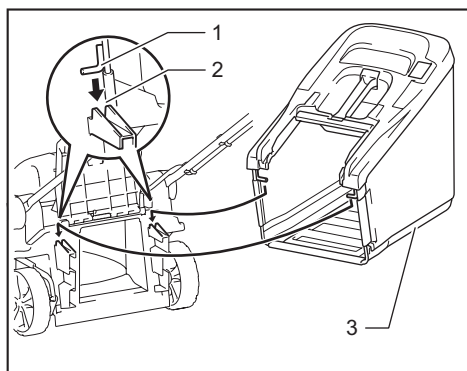
**MISE EN GARDE :** Lorsque vous remplacez les lames, suivez toujours les instructions de ce manuel.

## Pose du collecteur d'herbe

1. Retirez la clé de sécurité.
2. Soulevez la protection arrière du corps de la tondeuse.



3. Accrochez le collecteur d'herbe à la rainure du corps de la tondeuse, tel qu'illustré sur la figure.



1. Crochet 2. Rainure 3. Collecteur d'herbe

**NOTE** : Si vous tondez avec le collecteur d'herbe rempli, cela empêchera la lame de tourner de manière fluide et surchargera le moteur, ce qui pourrait causer une panne.

## Tonte d'une pelouse avec herbes hautes

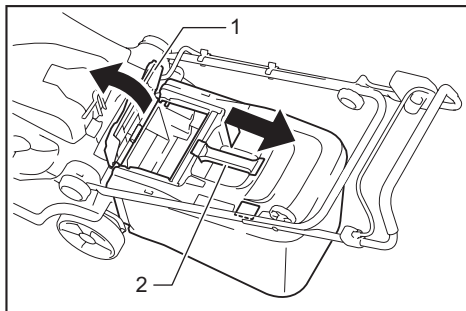
N'essayez pas de couper toutes les herbes hautes d'un seul coup. Tondez plutôt la pelouse en plusieurs passes. Laissez passer un jour ou deux entre les tontes, jusqu'à ce que le gazon soit uniformément court.

**NOTE** : Si vous tondez d'un seul coup les hautes herbes à une longueur courte, l'herbe risque de mourir. L'herbe coupée peut aussi boucher l'intérieur du corps de la tondeuse.

## Vidage du collecteur d'herbe

**⚠ MISE EN GARDE** : Pour réduire les risques d'accident, assurez-vous régulièrement que le collecteur d'herbe n'est pas endommagé et affaibli. Si nécessaire, remplacez le collecteur d'herbe.

1. Relâchez le levier d'interrupteur.
2. Retirez la clé de sécurité.
3. Soulevez la protection arrière et retirez le collecteur d'herbe en tenant le guidon.



1. Protection arrière 2. Guidon

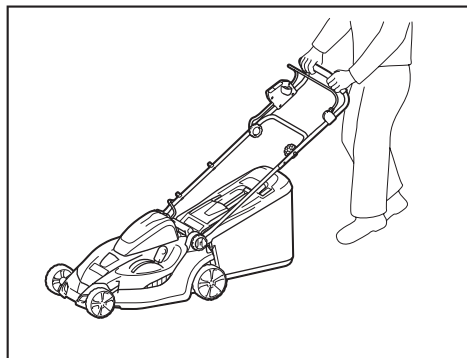
4. Videz le collecteur d'herbe.

## UTILISATION

### Tonte

**⚠ MISE EN GARDE** : Avant de tondez, enlevez de la zone de tonte toutes les branches et pierres. De plus, enlevez à l'avance les mauvaises herbes de la zone de tonte.

**⚠ MISE EN GARDE** : Portez toujours des lunettes à coques ou des lunettes de sécurité à écrans latéraux lorsque vous utilisez la tondeuse.



Tenez fermement le guidon de la tondeuse à deux mains lorsque vous tondez.

Les bords extérieurs des roues avant indiquent approximativement la largeur de tonte. En vous basant sur les bords extérieurs des deux roues avant comme largeur de tonte approximative, tondez en bandes, chaque bande chevauchant la moitié ou le tiers de la bande précédente, afin de tondez le gazon uniformément. Vérifiez régulièrement l'accumulation d'herbe tondue dans le collecteur d'herbe. Videz le collecteur d'herbe avant qu'il ne soit plein. Avant chaque vérification périodique, vous devez arrêter la tondeuse puis retirer la clé de sécurité et la batterie.

## ENTRETIEN ET REMISAGE

**⚠ MISE EN GARDE** : Veillez toujours à ce que la clé de sécurité et la batterie soient retirées de la tondeuse avant de la remiser ou d'effectuer l'inspection ou l'entretien.

**⚠ MISE EN GARDE** : Retirez toujours la clé de sécurité lorsque la tondeuse n'est pas utilisée. Mettez la clé de sécurité dans un endroit sûr, hors d'atteinte des enfants.

**⚠ MISE EN GARDE** : Portez des gants lorsque vous effectuez l'inspection ou l'entretien.

**AVIS : N'utilisez jamais d'essence, de benzine, de solvant, d'alcool ou autres produits similaires. Une décoloration, une déformation ou la formation de fissures peuvent en découler.**

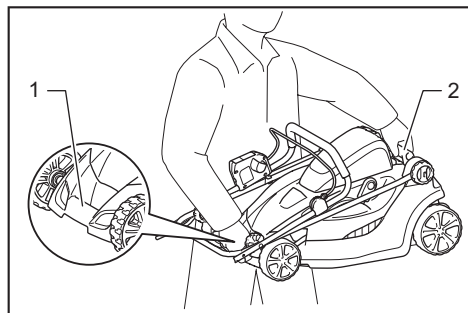
## Entretien

1. Retirez la clé de sécurité. Mettez-la dans un endroit sûr, hors d'atteinte des enfants.
2. Nettoyez la tondeuse uniquement avec un linge humide. Lors du nettoyage, n'arrosez pas et ne versez pas d'eau sur la tondeuse.
3. Basculez la tondeuse sur le côté et enlevez les brins d'herbe accumulés sur la face inférieure du châssis de la tondeuse.
4. Vérifiez si tous les écrous, boulons, boutons, vis, fixations, etc. sont bien serrés.
5. Vérifiez les pièces mobiles pour tout dommage, casse et usure. Les pièces endommagées ou manquantes doivent être réparées ou remplacées.

## Remisage

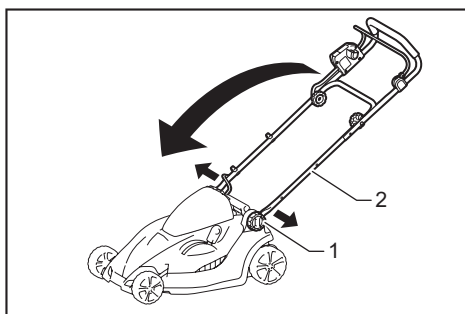
**▲ MISE EN GARDE : Pour transporter ou remiser la tondeuse, ne la tenez pas par les guidons repliés mais par sa poignée avant. Vous risqueriez de vous blesser gravement ou d'endommager la tondeuse en la tenant par les guidons repliés.**

Avant de remiser la tondeuse, retirez la batterie. Remisez la tondeuse à l'intérieur dans un endroit froid, sec et verrouillé. Ne remisez pas la tondeuse et le chargeur dans des emplacements où la température peut atteindre ou dépasser 40 °C (104 °F).



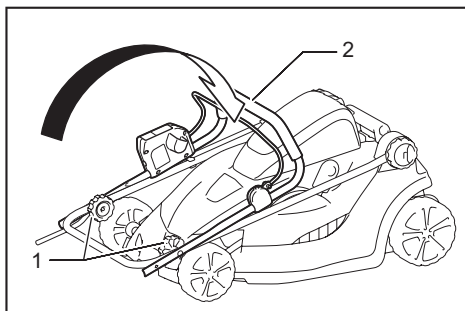
1. Poignée avant 2. Poignée arrière

1. Desserrez les vis de serrage et déployez le guidon inférieur des deux côtés. Abaissez le guidon vers l'avant. Ce faisant, tenez fermement le guidon inférieur pour éviter qu'il ne tombe du côté éloigné du corps de la tondeuse.



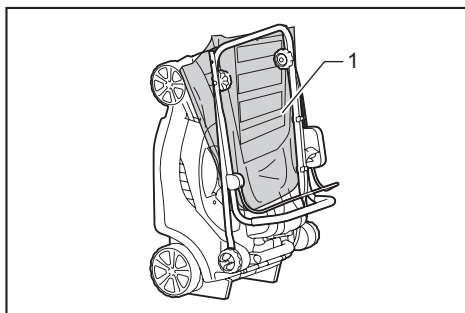
1. Vis de serrage 2. Guidon inférieur

2. Desserrez les écrous de serrage et ramenez le guidon supérieur tout en dépliant les deux côtés.



1. Écrou de serrage 2. Guidon supérieur

3. Rangez le collecteur d'herbe entre le guidon et le corps de la tondeuse.



1. Collecteur d'herbe

**NOTE : Pour mettre la tondeuse debout, ne la tenez pas par le guidon mais par la poignée avant de la tondeuse.**

Pour maintenir la SÉCURITÉ et la FIABILITÉ du produit, les réparations et tout autre travail d'entretien ou de réglage doivent être effectués dans un centre de service après-vente autorisé ou une usine Makita, exclusivement avec des pièces de rechange Makita.



# DÉPANNAGE

Avant de faire une demande de réparation, faites d'abord votre propre inspection. Si vous rencontrez un problème non indiqué dans ce manuel, n'essayez pas de démonter l'outil. Demandez plutôt à un centre de service après-vente Makita agréé de faire la réparation avec des pièces de rechange Makita.

État anormal	Cause probable (dysfonctionnement)	Solution
La tondeuse ne démarre pas.	Les deux batteries ne sont pas installées.	Installez des batteries chargées.
	Problème de batterie (sous-tension)	Rechargez la batterie. Si la recharge est sans effet, remplacez la batterie.
	La clé de sécurité n'est pas insérée.	Insérez la clé de sécurité.
Le moteur s'arrête peu après le début de l'utilisation.	La batterie est faible.	Rechargez la batterie. Si la recharge est sans effet, remplacez la batterie.
	La hauteur de tonte est trop basse.	Augmentez la hauteur de tonte.
Le moteur ne tourne pas à plein régime.	La batterie n'est pas bien installée.	Installez la batterie en suivant les instructions de ce manuel.
	La puissance de la batterie diminue.	Rechargez la batterie. Si la recharge est sans effet, remplacez la batterie.
	Le dispositif d'entraînement ne fonctionne pas bien.	Demandez à votre centre de service après-vente agréé de faire la réparation.
L'outil tranchant ne tourne pas : ⇒ arrêtez immédiatement la tondeuse !	Un corps étranger tel qu'une branche est coincé près de la lame.	Retirez le corps étranger.
	Le dispositif d'entraînement ne fonctionne pas bien.	Demandez à votre centre de service après-vente agréé de faire la réparation.
Vibrations anormales : ⇒ arrêtez immédiatement la tondeuse !	La lame est déséquilibrée, trop usée ou usée de manière inégale.	Remplacez la lame.

## ACCESSOIRES EN OPTION

**⚠ ATTENTION :** Ces accessoires ou pièces complémentaires sont recommandés pour l'utilisation avec l'outil Makita spécifié dans ce manuel. L'utilisation de tout autre accessoire ou pièce complémentaire peut comporter un risque de blessure. N'utilisez les accessoires ou pièces complémentaires qu'aux fins auxquelles ils ont été conçus.

Si vous désirez obtenir plus de détails sur ces accessoires, veuillez contacter le centre de service après-vente Makita le plus près.

- Lame de tondeuse
- Chargeur et batterie authentiques Makita

**NOTE :** Certains éléments de la liste peuvent être inclus avec l'outil comme accessoires standards. Ils peuvent varier suivant les pays.

## GARANTIE LIMITÉE D'UN AN DE MAKITA

### Politique de garantie

Tous les outils Makita sont soigneusement inspectés et mis à l'essai avant de quitter l'usine. Ils sont garantis contre les vices de fabrication et de matériau pour une période d'UN AN suivant la date de l'achat original. Si un problème survient pendant cette période d'un an, retournez l'outil COMPLET, fret payé d'avance, à une

usine ou un centre de service après-vente autorisé Makita. S'il ressort de l'inspection que le problème est dû à un vice de fabrication ou de matériau, Makita réparera (ou remplacera, à son gré) l'outil gratuitement. Cette garantie ne s'applique pas dans les cas où :

- des réparations ont été effectuées ou tentées par un tiers;
- des réparations sont nécessaires en raison de l'usure normale;
- l'outil a été malmené, mal utilisé ou non adéquatement entretenu;
- l'outil a subi des modifications.

MAKITA NE SERA EN AUCUN CAS RESPONSABLE DE TOUS DOMMAGES INDIRECTS, ACCESSOIRES OU CONSÉCUTIFS DE LA VENTE OU DE L'UTILISATION DU PRODUIT. CET AVIS DE NON-RESPONSABILITÉ S'APPLIQUE PENDANT ET APRÈS LA PÉRIODE COUVERTE PAR CETTE GARANTIE. MAKITA DÉCLINE TOUTE RESPONSABILITÉ QUANT À TOUTES GARANTIES IMPLICITES, Y COMPRIS LES GARANTIES DE « QUALITÉ MARCHANDE » OU D'« ADAPTATION À UN USAGE PARTICULIER » APRÈS LA PÉRIODE DE GARANTIE D'UN AN.

Cette garantie vous donne des droits légaux spécifiques, et vous pouvez également avoir d'autres droits qui varient d'une province à l'autre. Certaines provinces n'autorisent pas l'exclusion ou la restriction des dommages accessoires ou consécutifs, il se peut que la restriction ou l'exclusion ci-dessus ne s'applique pas à vous. Certaines provinces n'autorisent pas de restriction quant à la durée des garanties implicites, il se peut que la restriction ci-dessus ne s'applique pas à vous.

# ESPECIFICACIONES

<b>Modelo:</b>		<b>XML02</b>	
Amplitud de corte del césped (diámetro de la cuchilla)		430 mm (17")	
Velocidad sin carga		3 600 r/min	
Dimensiones (La x An x Al)	durante la operación	Máx. 1 490 mm x 460 mm x 1 020 mm (58-3/4" x 18-1/8" x 40-1/4") Mín. 1 450 mm x 460 mm x 950 mm (57" x 18-1/8" x 37-1/2")	
	durante el almacenamiento (sin el canasto para césped)	490 mm x 460 mm x 910 mm (19-1/4" x 18-1/8" x 35-3/4")	
Tensión nominal		36 V c.c.	
Cartucho(s) de batería estándar ▲Advertencia: Use sólo el (los) cartucho(s) de batería indicado(s).		BL1815N/BL1820/BL1820B	BL1830/BL1840/BL1850/ BL1840B/BL1850B
Peso neto		18,0 kg (39,7 lbs)	18,5 kg (40,8 lbs)

- Debido a nuestro programa continuo de investigación y desarrollo, las especificaciones aquí dadas están sujetas a cambios sin previo aviso.
- Las especificaciones y el cartucho de batería pueden variar de país a país.
- Peso de acuerdo al procedimiento de EPTA-01/2003 incluyendo el cartucho de batería

## INSTRUCCIONES IMPORTANTES DE SEGURIDAD

**▲ADVERTENCIA:** Al utilizar cortadoras de césped eléctricas, siempre deben tomarse en cuenta las precauciones básicas de seguridad a fin de reducir el riesgo de incendio, descarga eléctrica y lesiones personales, incluyendo lo siguiente.

### Lea todas las instrucciones

Lea, comprenda y siga todas las instrucciones en la cortadora de césped y en los manuales de instrucciones. Familiarícese detalladamente con los controles y el uso apropiado de la cortadora de césped antes de empezar.

#### ▲ADVERTENCIA!

1. **Evite los entornos peligrosos** - Nunca use la cortadora de césped en lugares húmedos o mojados. Asegúrese siempre de pisar sobre suelo firme: mantenga una sujeción firme del mango y camine; nunca corra.
2. **No usar bajo la lluvia.**
3. **Mantenga a los niños alejados** - Todos los visitantes deberán ser mantenidos a una distancia segura del área de trabajo. Esté alerta y apague la cortadora de césped si algún niño ingresa al área. Tenga especial cuidado al aproximarse a esquinas poco visibles, arbustos, árboles u otros objetos que le impidan divisar a algún niño.
4. **Use vestimenta adecuada** - No use prendas sueltas ni joyas. Éstas podrían engancharse en las piezas móviles. Cuando se trabaje en exteriores es recomendable usar guantes de hule y un calzado resistente. No opere la cortadora de césped estando descalzo o con sandalias abiertas.
5. **Use gafas de seguridad** - Siempre utilice careta o máscara contra polvo si la operación es polvorienta.
6. **Use el aparato indicado** - No utilice la cortadora de césped para cualquier trabajo excepto para el que fue diseñada.
7. **No fuerce la cortadora de césped** - Ésta hará el trabajo mejor y de forma más segura a la velocidad para la que fue diseñada.
8. **No utilice el aparato donde no alcance** - Mantenga los pies sobre suelo firme y el equilibrio en todo momento. No pise cerca de declives, zanjas o diques. Podría perder su equilibrio o su estabilidad al pisar.
9. **Manténgase alerta** - Preste atención a lo que está haciendo. Use el sentido común. No utilice la cortadora de césped cuando esté cansado. No opere la máquina cuando esté bajo la influencia de alcohol o drogas. Un momento de distracción mientras opera la cortadora de césped puede ocasionar lesiones personales graves.
10. **Desconecte la cortadora de césped** - Desconecte la cortadora de césped del suministro eléctrico o quite la batería si no la está usando, y antes de dar mantenimiento, limpiarla, retirar material acumulado en la cortadora de césped o reemplazar accesorios tales como cuchillas y similares.
11. **Almacene la cortadora de césped en interiores cuando no esté en uso** - Cuando no se esté utilizando, la cortadora de césped deberá almacenarse en interiores en un lugar seco, bajo llave y fuera del alcance de los niños.
12. **Dé un debido mantenimiento a la cortadora de césped** - Mantenga los bordes de corte afilados y limpios para un mejor desempeño y mayor seguridad. Siga las instrucciones para la lubricación y cambio de accesorios. Inspeccione la cortadora de césped periódicamente y en caso de presentar daños, solicite su reparación a un centro de servicio autorizado. Mantenga los mangos secos, limpios y libres de aceite y grasa.
13. **Mantenga la máquina libre de la acumulación de césped, hojas y otros residuos. Conserve los protectores en su lugar y en buenas condiciones de funcionamiento.**

14. **Mantenga las cuchillas afiladas.**
15. **Mantenga las manos y los pies alejados del área de corte. Manténgase alejado de la abertura de descarga en todo momento.**
16. **Los objetos que sean golpeados por la cuchilla de la cortadora de césped pueden causar lesiones personales graves. El césped debe ser examinado cuidadosamente y despejado de cualquier objeto antes de proceder a cortarlo. Manténgase detrás del mango cuando el motor esté funcionando.**
17. **Si la cortadora de césped llega a golpear algún objeto extraño, siga los pasos a continuación:**
  - Pare la cortadora de césped. Suelte el interruptor. Espere hasta que la cuchilla se detenga por completo.
  - Retire la llave y el cartucho de batería.
  - Inspeccione la cortadora de césped para ver si hay algún daño.
  - Repare cualquier daño antes de reiniciar y usar la cortadora de césped. Reemplace la cuchilla si presenta algún tipo de daño.
18. **Use solamente cuchillas de repuesto idénticas.**
19. **Esta máquina cortadora es capaz de amputar las manos y los pies, así como de lanzar objetos. El no seguir las instrucciones de seguridad indicadas a continuación podría ocasionar lesiones graves o la muerte.**
20. **Solamente permita que los adultos responsables que estén familiarizados con las instrucciones operen la cortadora de césped.**
21. **Asegúrese de que no haya otras personas en el área de trabajo antes de cortar el césped. Detenga la cortadora de césped en caso de que alguna persona ingrese al área.**
22. **Nunca dirija el material de desecho hacia ninguna persona. Evite descargar el material de desecho contra alguna pared u obstrucción. El material puede rebotar y dirigirse al operador. Detenga la cuchilla al atravesar superficies con grava.**
23. **No jale la cortadora de césped hacia atrás a menos que sea absolutamente necesario.** Cuando sienta que debe hacer retroceder la cortadora de césped para alejarla de alguna valla u obstrucción similar, mire hacia abajo y detrás de usted antes de desplazarse hacia atrás.
24. **Libere la palanca interruptora y espere a que la rotación de la cuchilla se detenga antes de cruzar avenidas, caminos, calles y cualquier área cubierta con grava.** También retire la llave en caso de dejar la cortadora de césped para levantar o quitar algo del camino, o por alguna otra razón que pueda distraerlo de lo que está haciendo.
25. **No opere la máquina sin que el recolector de césped, protector de descarga, protector trasero o cualquier otro dispositivo de seguridad estén en su lugar y funcionando.**
26. **Pare el motor y retire la llave siempre que deje el equipo, antes de limpiar la cortadora de césped o despejar alguna obstrucción en la tolva y efectuar alguna reparación o inspección.**
27. **Apague el motor y espere a que la cuchilla se haya detenido por completo antes de quitar el recolector de césped.** Tenga en cuenta que las cuchillas siguen girando por inercia después de apagar la herramienta.
28. **Corte el césped solamente a la luz del día o en buenas condiciones de iluminación artificial.**
29. **Antes de arrancar el motor, desactive el mecanismo de autopropulsión o el embrague de operación en la cortadora de césped.**
30. **Si por alguna razón el equipo comienza a vibrar de manera anormal, pare el motor y revise de inmediato para detectar la causa.** Generalmente la vibración es señal de que hay algún problema.
31. **No inserte la llave en la cortadora de césped hasta que esté lista para usarse.**
32. **No sujete las cuchillas ni los bordes de corte expuestos al levantar o sostener el aparato.**
33. **Revise cuidadosamente si hay daños o grietas en las cuchillas antes de la operación. Reemplace inmediatamente las cuchillas que presenten grietas o daños.**
34. **Nunca intente hacer ajustes en la altura de la rueda mientras la cortadora de césped esté funcionando.**
35. **Revise el canasto para césped con frecuencia para ver si presenta desgaste o deterioro. Al almacenar el equipo, asegúrese siempre de vaciar el canasto para césped.** Por seguridad, reemplace un canasto para césped desgastado con un repuesto nuevo de fábrica.
36. **Verifique con frecuencia los componentes del canasto para césped y el protector de descarga y reemplace con las piezas de repuesto recomendadas por el fabricante en caso necesario.**
37. **Corte el césped transversalmente a través de las pendientes, nunca hacia arriba ni hacia abajo. Aplique extrema precaución al cambiar la dirección en las pendientes. Evite cortar el césped en pendientes excesivamente inclinadas.**
38. **Esté alerta de hoyos, surcos, protuberancias, piedras u otros objetos ocultos.** Las superficies no niveladas pueden ocasionar resbalones y caídas accidentales. El césped alto puede ocultar algunos obstáculos.
39. **No pise sobre césped mojado o en pendientes excesivamente pronunciadas.** El no pisar sobre suelo firme puede ocasionar resbalones y caídas accidentales.
40. **No lave el equipo con una manguera; evite que ingrese el agua al motor y las conexiones eléctricas.**
41. **Revise el perno de instalación de la cuchilla a intervalos frecuentes para asegurar una fijación apropiada.**
42. **Mantenga apretadas todas las tuercas, pernos y tornillos para asegurar que el equipo se encuentre en condiciones seguras de operación.**
43. **Nunca quite ni altere los dispositivos de seguridad. Verifique con regularidad que funcionen correctamente.** Nunca haga nada que interfiera con la función para la que un dispositivo de seguridad fue diseñado, ni reduzca la protección ofrecida por algún dispositivo de seguridad.
44. **Mantenga en su lugar o vuelva a colocar las etiquetas de seguridad y de instrucciones según se requiera.**

#### 45. Uso y cuidado de la herramienta a batería

- **Recargue sólo con el cargador especificado por el fabricante.** Un cargador adecuado para un tipo de cartucho de batería específico puede ocasionar riesgo de incendio al usarse con otro cartucho de batería.
- **No cargue la cortadora de césped bajo la lluvia ni en lugares húmedos.**
- **Al cambiar baterías, todas las baterías deberán ser cambiadas al mismo tiempo.** Mezclar baterías nuevas con descargadas podría aumentar la presión interna en las celdas y romper la batería descargada.
- **Use las herramientas eléctricas sólo con sus cartuchos de batería designados específicamente para éstas.** El uso de cualquier otro cartucho de batería puede ocasionar riesgo de lesiones e incendio.
- **Cuando no se esté usando el cartucho de batería, manténgalo alejado de otros objetos metálicos, como sujetapapeles (clips), monedas, llaves, clavos, tornillos u otros objetos pequeños de metal los cuales pueden actuar creando una conexión entre las terminales.** Ocasionar un cortocircuito en las terminales de la batería puede provocar quemaduras o incendios.
- **En condiciones de abuso, podría expulsarse líquido de la batería; evite el contacto.** En caso de contacto accidental, enjuague con agua. Si el líquido entra en contacto con los ojos, solicite adicionalmente atención médica. El líquido expulsado de la batería puede causar irritación o quemaduras.

## GUARDE ESTAS INSTRUCCIONES.

**⚠ ADVERTENCIA:** El uso de este producto puede producir polvo que contenga sustancias químicas que podrían causar enfermedades respiratorias o de otro tipo. Algunos ejemplos de estas sustancias químicas son los compuestos encontrados en pesticidas, insecticidas, fertilizantes y herbicidas.

El riesgo al que se expone varía, dependiendo de la frecuencia con la que realice este tipo de trabajo. Para reducir la exposición a estas sustancias químicas: trabaje en un área bien ventilada y use un equipo de seguridad aprobado, tal como las máscaras contra polvo que están especialmente diseñadas para filtrar partículas microscópicas.

### Símbolos

A continuación se muestran los símbolos utilizados para la herramienta.

V	volts o voltios
— — —	corriente directa o continua
n <sub>o</sub>	velocidad sin carga

... /min  
r /min

revoluciones o alternaciones por minuto,  
frecuencia de rotación

## Instrucciones importantes de seguridad para el cartucho de batería

1. **Antes de utilizar el cartucho de batería, lea todas las instrucciones e indicaciones de precaución en el (1) el cargador de batería, (2) la batería, y (3) el producto con el que se utiliza la batería.**
2. **No desarme el cartucho de batería.**
3. **Si el tiempo de operación se ha acortado en exceso, deje de operar de inmediato.** Podría correrse el riesgo de sobrecalentamiento, posibles quemaduras e incluso explosión.
4. **En caso de que ingresen electrolitos en sus ojos, enjuáguelos bien con agua limpia y consulte de inmediato a un médico.** Esto podría ocasionar pérdida de visión.
5. **Evite cortocircuitar el cartucho de batería:**
  - (1) **No toque las terminales con ningún material conductor.**
  - (2) **Evite guardar el cartucho de batería en un cajón junto con otros objetos metálicos, tales como clavos, monedas, etc.**
  - (3) **No exponga el cartucho de batería al agua o la lluvia.****Un cortocircuito en la batería puede causar un flujo grande de corriente, sobrecalentamiento, posibles quemaduras e incluso una descompostura.**
6. **No guarde la herramienta ni el cartucho de batería en lugares donde la temperatura pueda alcanzar o exceder los 50°C (122°F).**
7. **Nunca incinere el cartucho de batería incluso en el caso de que esté dañado seriamente o ya no sirva en absoluto.** El cartucho de batería puede explotar si se tira al fuego.
8. **Tenga cuidado de no dejar caer ni golpear la batería.**
9. **No use una batería dañada.**
10. **Siga las regulaciones locales relacionadas al desecho de las baterías.**

## GUARDE ESTAS INSTRUCCIONES.

**⚠ PRECAUCIÓN:** Utilice únicamente baterías originales de Makita. El uso de baterías no originales de Makita, o de baterías alteradas, puede ocasionar que las baterías exploten causando un incendio, lesiones personales y daños. Asimismo, esto invalidará la garantía de Makita para la herramienta y el cargador Makita.

## Consejos para alargar al máximo la vida útil de la batería

1. **Cargue el cartucho de batería antes de que se descargue completamente. Pare siempre la operación y cargue el cartucho de**

batería cuando note menos potencia en la herramienta.

2. No cargue nunca un cartucho de batería que esté completamente cargado. La sobrecarga acortará la vida de servicio de la batería.
3. Cargue el cartucho de batería a una temperatura ambiente de 10 °C - 40 °C (50 °F - 104 °F). Si un cartucho de batería está caliente, déjelo enfriar antes de cargarlo.
4. Cargue el cartucho de batería si no va a utilizarlo durante un período prolongado (más de seis meses).

## DESCRIPCIÓN DEL FUNCIONAMIENTO

### Instalación o extracción del cartucho de batería

**⚠PRECAUCIÓN:** Apague siempre la herramienta antes de instalar o extraer el cartucho de batería.

**⚠PRECAUCIÓN:** Asegúrese de haber asegurado la cubierta de la batería antes de utilizar el equipo. De lo contrario, el lodo, la tierra o el agua pueden causar daños al producto o al cartucho de batería.

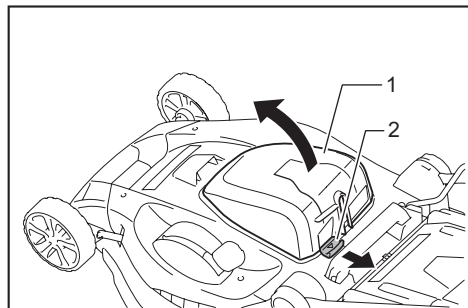
**⚠PRECAUCIÓN:** Siempre introduzca completamente el cartucho de batería hasta que el indicador rojo no pueda verse. De no hacerlo, éste podría salirse y caer accidentalmente de la herramienta ocasionándole lesiones a usted o a alguien cerca de usted.

**⚠PRECAUCIÓN:** No instale el cartucho de batería a la fuerza. Si el cartucho no se desliza hacia adentro fácilmente, esto se debe a que no ha sido insertado correctamente.

**NOTA:** La herramienta no funciona con solo un cartucho de batería.

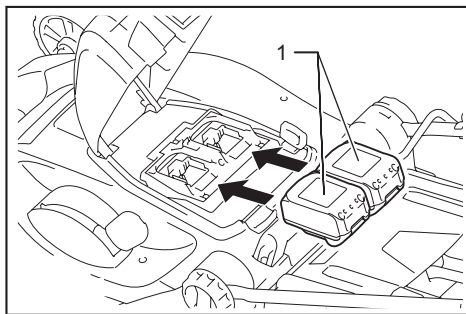
#### Para instalar el cartucho de batería;

1. Deslice la palanca de bloqueo de la cubierta de la batería y abra la cubierta de la batería.



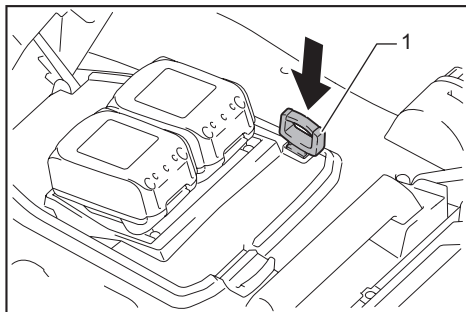
1. Cubierta de la batería
2. Palanca de bloqueo de la cubierta de la batería

2. Alinee la lengüeta sobre el cartucho de batería con la ranura en la cortadora de césped y luego deslice el cartucho hasta que quede asegurado en su lugar y se escuche un clic. Si puede ver el indicador rojo en el lado superior del botón, esto indica que el cartucho de batería no ha quedado asegurado por completo.



1. Cartucho de batería

3. Inserte la llave de cierre hasta el fondo en el lugar que se muestra en la figura.



1. Llave de cierre

4. Cierre la cubierta de la batería y empújela hasta que quede trabada con la palanca de bloqueo.

#### Para quitar el cartucho de batería de la cortadora de césped;

1. Deslice la palanca de bloqueo de la cubierta de la batería y abra la cubierta de la batería.
2. Jale el cartucho de batería para extraerlo de la cortadora de césped mientras desliza el botón en la parte delantera del cartucho.
3. Saque la llave de cierre.
4. Cierre la cubierta de la batería.

### Sistema de protección para la herramienta/batería

La herramienta está equipada con un sistema de protección para la herramienta/batería. Este sistema corta en forma automática el suministro de energía al motor para prolongar la vida útil de la herramienta y la batería. La herramienta se detendrá automáticamente durante la operación si la herramienta o la batería se someten a una de las siguientes condiciones. En algunas condiciones, los indicadores pueden encenderse.

## Protección contra sobrecarga

Cuando la herramienta se está utilizando de manera que causa que consuma una cantidad de corriente inusualmente alta, la herramienta se detiene automáticamente sin que haya indicación alguna. En este caso, apague la herramienta y detenga la aplicación que causó que la herramienta se sobrecargara. Luego encienda la herramienta para reiniciarla.

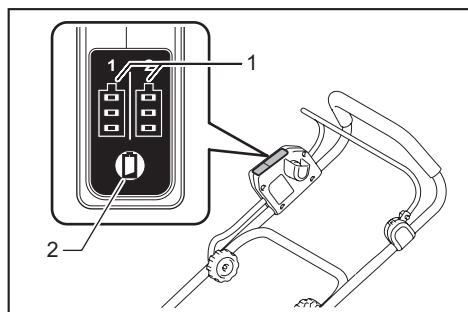
## Protección contra sobrecalentamiento

Cuando la herramienta se sobrecalienta, ésta se detiene automáticamente y el indicador de batería parpadea alrededor de 60 segundos. En este caso, espere a que la herramienta se enfríe antes de volver a encenderla.

## Protección contra sobredescarga

Cuando la capacidad de la batería se reduce, la herramienta se detiene automáticamente. Si el producto no funciona incluso cuando los interruptores están siendo operados, retire las baterías de la herramienta y cárguelas.

## Indicación de capacidad restante de la batería



1. Indicador de batería 2. Botón de verificación

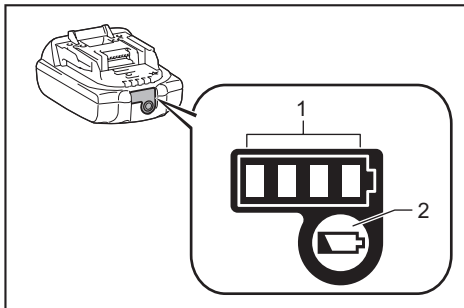
Oprima el botón de verificación para indicar las capacidades restantes de la batería. Los indicadores de batería corresponden a cada batería.

Estado del indicador de batería		Capacidad restante de la batería
Encendido	Apagado	
		50% - 100%
		20% - 50%

Estado del indicador de batería		Capacidad restante de la batería
Encendido	Apagado	
		0% - 20%

## Indicación de la capacidad restante de la batería

**Sólo para cartuchos de batería con una "B" al final del número de modelo**



1. Luces indicadoras 2. Botón de verificación

Oprima el botón de verificación en el cartucho de la batería para que indique la capacidad restante de la batería. Las luces indicadoras se iluminarán por algunos segundos.

Luces indicadoras			Capacidad restante
Iluminadas	Apagadas	Parpadeando	
			75% a 100%
			50% a 75%
			25% a 50%
			0% a 25%
			Cargar la batería.
			La batería pudo haber funcionado mal.

**NOTA:** Dependiendo de las condiciones de uso y la temperatura ambiente, la indicación podrá diferir ligeramente de la capacidad real.



## Accionamiento del interruptor

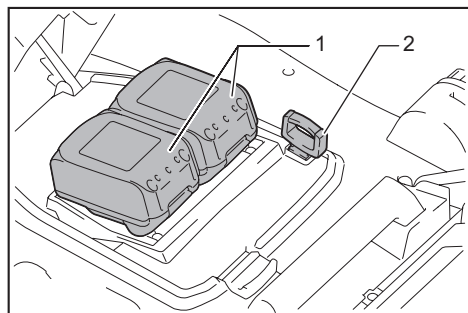
**⚠ADVERTENCIA:** Antes de insertar el cartucho de batería, compruebe siempre que la palanca interruptora se acciona debidamente y que regresa a la posición original una vez que la suelta. Usar una herramienta con un interruptor que no funciona adecuadamente puede ocasionar la pérdida del control y lesiones personales graves.

**NOTA:** La cortadora de césped no arranca si no se presiona el botón interruptor incluso al estar jalando la palanca interruptora.

**NOTA:** La cortadora de césped no arranca debido a la sobrecarga al intentar cortar césped largo o grueso de una sola vez. En este caso, aumente la altura de corte.

Esta cortadora de césped está equipada con un interruptor de interbloqueo y un mango interruptor. Si observa alguna anomalía con cualquiera de estos interruptores, detenga la operación de inmediato y llévelos a su centro de servicio autorizado Makita más cercano para su inspección.

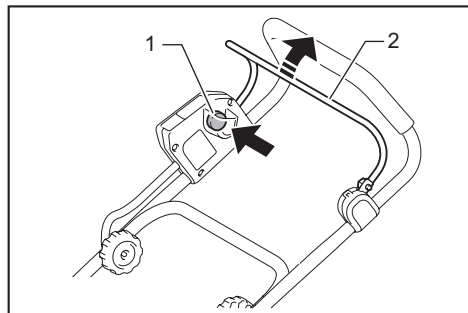
1. Instale los cartuchos de batería. Inserte la llave de cierre en el interruptor de interbloqueo y luego cierre la cubierta de la batería.



1. Cartucho de batería 2. Llave de cierre

2. Oprima el botón interruptor y manténgalo presionado.

3. Tome el mango superior y jale la palanca interruptora.



1. Botón interruptor 2. Palanca interruptora

4. Suelte el botón interruptor tan pronto como el motor arranque. La cortadora de césped continuará funcionando hasta que usted suelte la palanca interruptora.

5. Suelte la palanca interruptora para detener el motor.

## Ajuste de la altura de corte del césped

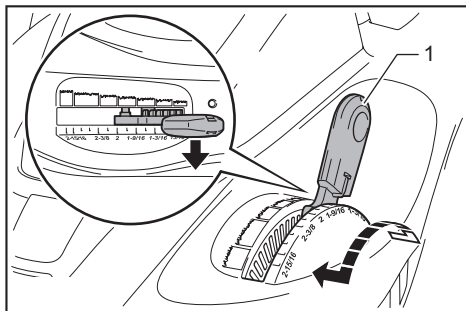
**⚠ADVERTENCIA:** Nunca coloque su mano o pierna debajo del cuerpo de la cortadora de césped cuando esté ajustando la altura de corte del césped.

**⚠ADVERTENCIA:** Asegúrese siempre de que la palanca encaje correctamente en la ranura antes de la operación.

La altura de corte del césped puede ajustarse en un rango entre 20 mm (13/16") - 75 mm (2-15/16").

1. Quite la llave de cierre.

2. Jale la palanca de ajuste de la altura de corte del césped hacia afuera del cuerpo de la cortadora de césped y muévala hasta la altura de corte deseada.

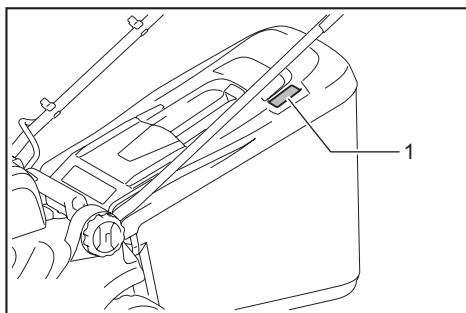


1. Palanca de ajuste de la altura de corte del césped

**NOTA:** Las figuras que muestran la altura de corte del césped deben usarse únicamente como guía. Dependiendo de las condiciones del césped o el suelo, la altura real del césped puede variar ligeramente de la altura establecida.

**NOTA:** Procure realizar una prueba de corte de césped en un lugar menos evidente a fin de conseguir la altura de corte deseada.

## Indicador del nivel de césped



1. Indicador del nivel de césped

El indicador del nivel de césped muestra el volumen de césped podado.

- Cuando el canasto para césped no está lleno, el indicador oscila durante el podado.



- Cuando el canasto para césped se llena, el indicador deja de oscilar durante el podado. En este caso, pare inmediatamente el podado y vacíe el canasto. Una vez que haya vaciado el canasto, límpielo de tal forma que su rejilla ventile el aire.

**NOTA:** Este indicador es una guía aproximada. Dependiendo de las condiciones en el interior del canasto, este indicador puede no ser preciso.

## MONTAJE

**⚠ ADVERTENCIA:** Asegúrese siempre de que la llave de cierre y el cartucho de batería se hayan extraído antes de realizar cualquier trabajo en la cortadora de césped. El no extraer la llave de cierre y el cartucho de batería puede ocasionar lesiones personales graves debido a un encendido accidental.

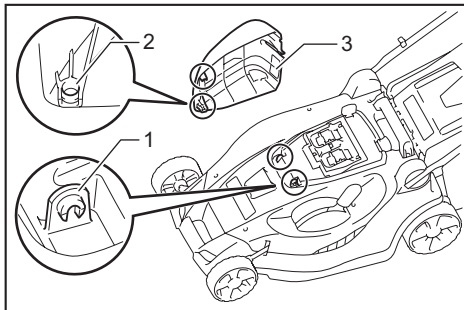
**⚠ ADVERTENCIA:** Nunca ponga en marcha la cortadora de césped a menos que se encuentre completamente ensamblada. La operación de herramientas parcialmente ensambladas puede ocasionar lesiones personales graves debido a un encendido accidental.

### Instalación de la cubierta de la batería

**⚠ ADVERTENCIA:** No inserte la llave de cierre y el cartucho de batería antes de instalar la cubierta de la batería. El hacerlo podría causar lesiones graves.

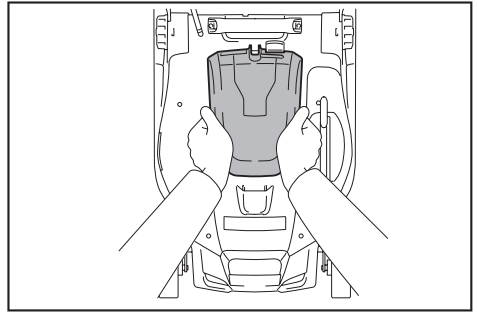
Instale en su totalidad la cubierta de la batería antes de la operación. La cubierta de la batería protege a la cortadora de césped y al cartucho de batería contra el lodo, la tierra y el agua.

1. Coloque la cubierta de la batería alineando las protuberancias en la cortadora de césped con los orificios en la cubierta de la batería.

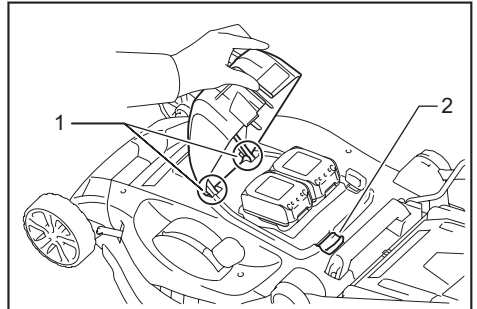


1. Protuberancia  
2. Orificio  
3. Cubierta de la batería

2. Coloque sus manos en medio de la cubierta de la batería y presiónela.



3. Antes de realizar la primera operación, compruebe que el punto de pivote de la cubierta de la batería esté ensamblado apropiadamente. Si la cubierta de la batería está instalada en forma correcta, ésta no se abrirá hasta que la palanca de bloqueo de la cubierta de la batería sea jalada.

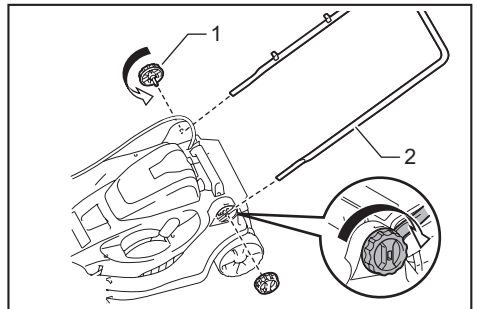


1. Punto de pivote  
2. Palanca de bloqueo de la cubierta de la batería

### Instalación del mango

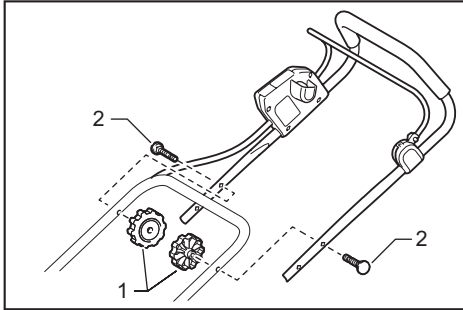
**AVISO:** Cuando instale los mangos, posicione los cables de tal manera que no queden enganchados con nada entre los mangos. Si un cable está dañado, el interruptor de la cortadora de césped podría no funcionar.

1. Deslice ambos extremos del mango inferior en las ranuras de la cortadora de césped y luego apriete lo más que se pueda los tornillos de fijación.



1. Tornillo de fijación  
2. Mango inferior

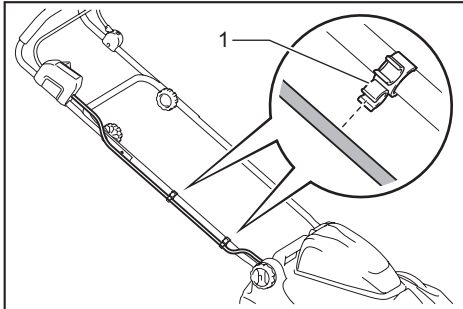
2. Alinee los orificios para los tornillos en el mango superior con aquellos en el mango inferior. Asegúrelos con los tornillos y las tuercas de fijación.



1. Tuerca de fijación 2. Tornillo de fijación

**NOTA:** Sujete firmemente el mango superior de tal forma que no se desprenda de su mano.

3. Fije los soportes al mango. Coloque el cable de alimentación tal como se muestra en la figura.



1. Soporte

## Extracción o instalación de la cuchilla de la cortadora de césped

**⚠ADVERTENCIA:** Retire siempre la llave de cierre y el cartucho de batería al extraer o instalar la cuchilla. El no retirar la llave de cierre y el cartucho de batería puede ocasionar lesiones graves.

**⚠ADVERTENCIA:** La cuchilla continuará moviéndose por inercia durante algunos segundos tras haber soltado el interruptor. No realice ninguna operación hasta que la cuchilla se haya detenido por completo.

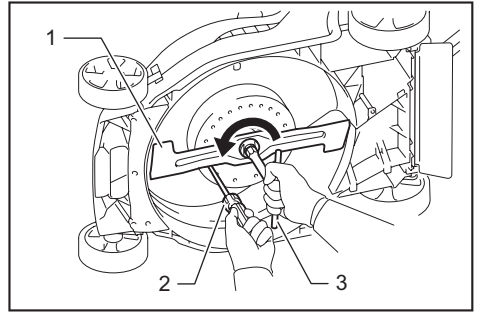
**⚠ADVERTENCIA:** Use siempre guantes al manipular la cuchilla.

Para retirar la cuchilla de la cortadora de césped, siga los pasos a continuación.

1. Coloque de lado la cortadora de césped de tal forma que la palanca de ajuste de la altura de corte del césped quede orientada hacia el lado de arriba.

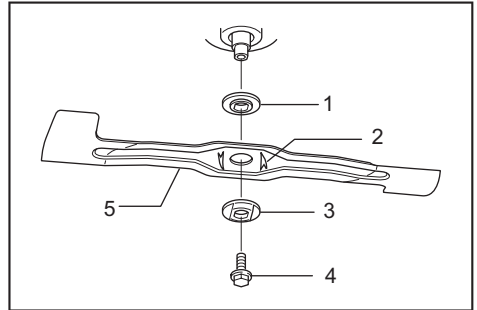
2. Para bloquear la rotación de la cuchilla, inserte un destornillador o herramienta similar en uno de los orificios en la base de la cuchilla.

3. Gire el perno con la llave en sentido inverso al de las manecillas del reloj.



1. Cuchilla de la cortadora de césped  
2. Destornillador 3. Llave

4. Retire el perno, la brida exterior, la cuchilla de la cortadora de césped y la brida interior en orden.



1. Brida interior 2. Flecha de dirección de giro  
3. Brida exterior 4. Perno 5. Cuchilla de la cortadora de césped

Para instalar la cuchilla de la cortadora de césped, siga el procedimiento de extracción en orden inverso.

**⚠ADVERTENCIA:** Instale la cuchilla con cuidado. Ésta tiene una cara superior e inferior. Coloque la cuchilla de manera que la flecha de dirección de giro quede orientada hacia afuera.

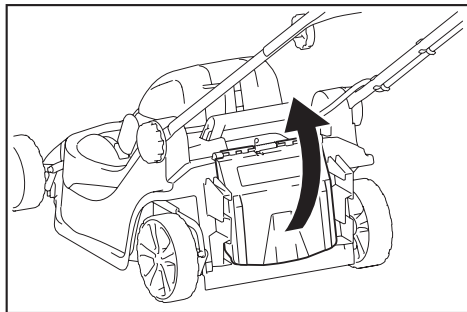
**⚠ADVERTENCIA:** Apriete el perno firmemente en el sentido de las manecillas del reloj para asegurar la cuchilla.

**⚠ADVERTENCIA:** Asegúrese de que la cuchilla y todas las piezas de fijación sean instaladas correctamente y apretadas firmemente.

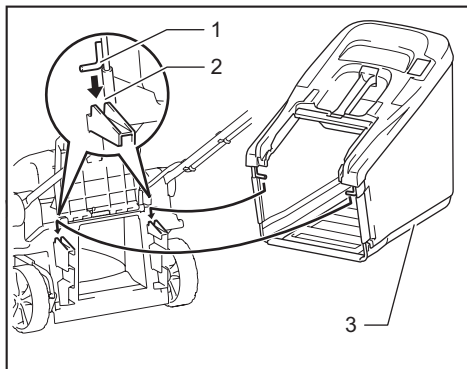
**⚠ADVERTENCIA:** Para reemplazar las cuchillas, siempre siga las instrucciones proporcionadas en este manual.

## Instalación del canasto para césped

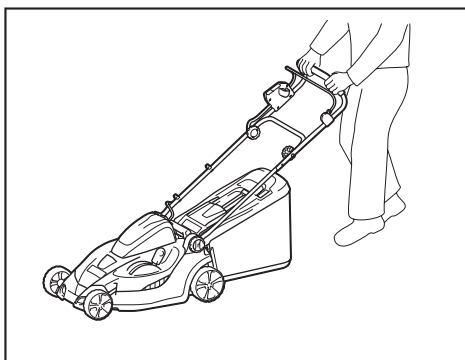
1. Quite la llave de cierre.
2. Levante el protector trasero del cuerpo de la cortadora de césped.



3. Enganche el canasto para césped en la ranura del cuerpo de la cortadora de césped tal como se muestra en la figura.



1. Gancho 2. Ranura 3. Canasto para césped



Sujete con firmeza el mango de la cortadora de césped con ambas manos durante el podado.

Los bordes exteriores de las ruedas delanteras sirven como línea de guía para la amplitud de corte del césped. Usando los bordes exteriores de las dos ruedas delanteras como línea de guía, pade en franjas, traslapando de una mitad a un tercio de la franja previa cortada para un podado uniforme.

Revise periódicamente el canasto para césped para ver el nivel de pasto podado. Vacíe el canasto para césped antes de que se llene. Antes de cada revisión periódica, asegúrese de apagar la cortadora de césped y retire la llave de cierre y el cartucho de batería.

**NOTA:** El uso de la cortadora de césped con el canasto para césped lleno impide una rotación uniforme de la cuchilla e implica una sobrecarga del motor que puede causar alguna avería.

## Corte de césped largo

No intente cortar césped largo en una sola pasada. En vez de esto, corte el césped en distintas etapas. Deje pasar uno o dos días entre cada podada hasta que el césped quede corto y uniforme.

**NOTA:** Cortar césped largo para lograr que quede corto en una sola pasada puede causar que el césped se marchite. Además de que el césped podado puede causar una obstrucción en el interior del cuerpo de la cortadora de césped.

## OPERACIÓN

### Corte del césped

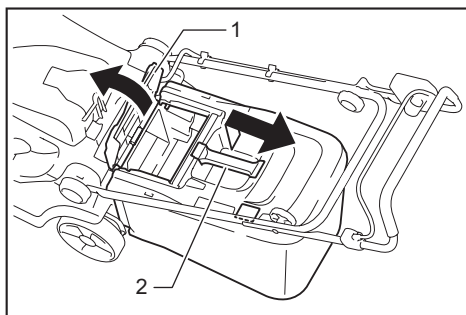
**⚠ADVERTENCIA:** Antes de cortar el césped, despeje las ramas y piedras del área de podado. Asimismo, despeje con antelación cualquier maleza en el área de podado.

**⚠ADVERTENCIA:** Use siempre gafas protectoras o gafas de seguridad con protección lateral al usar la cortadora de césped.

### Vaciado del canasto para césped

**⚠ADVERTENCIA:** Para reducir el riesgo de accidentes, revise regularmente el canasto para césped para ver si no hay daños o ha perdido resistencia. Reemplace el canasto para césped en caso necesario.

1. Suelte la palanca interruptora.
2. Quite la llave de cierre.
3. Levante el protector trasero y retire el canasto para césped tomándolo del mango.



1. Protector trasero 2. Mango

4. Vacíe el canasto para césped.

## MANTENIMIENTO Y ALMACENAMIENTO

**⚠ADVERTENCIA:** Asegúrese siempre de haber extraído la llave de cierre y el cartucho de batería de la cortadora de césped antes de almacenarla, realizar una inspección o darle mantenimiento.

**⚠ADVERTENCIA:** Siempre retire la llave de cierre cuando no vaya a utilizar la cortadora de césped. Almacene la llave de cierre en un lugar seguro fuera del alcance de los niños.

**⚠ADVERTENCIA:** Use guantes al realizar una inspección o dar mantenimiento.

**AVISO:** Nunca use gasolina, bencina, diluyente (tíner), alcohol o sustancias similares. Puede que esto ocasione grietas o descoloramiento.

### Mantenimiento

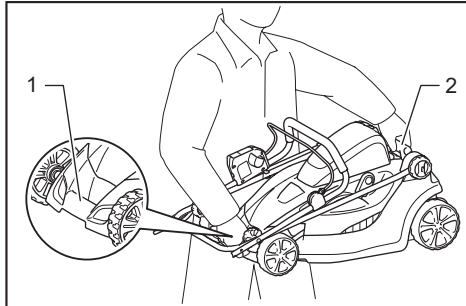
1. Quite la llave de cierre. Almacénela en un lugar seguro fuera del alcance de los niños.
2. Limpie la cortadora de césped usando solamente un paño húmedo. No rocíe ni vierta agua en la cortadora de césped al limpiarla.
3. Coloque de lado la cortadora de césped y elimine los residuos de césped que se hayan acumulado en la parte interna de la carcasa de la cortadora de césped.
4. Revise que todas las tuercas, pernos, perillas, tornillos, sujetadores, etc., estén bien apretados.
5. Inspeccione las piezas móviles para ver que no haya daños, roturas o desgastes. Las piezas dañadas o faltantes deberán ser reparadas o reemplazadas.

## Almacenamiento

**⚠ADVERTENCIA:** Al transportar o almacenar la cortadora de césped, no la tome de los mangos plegados sino de la empuñadura delantera de la cortadora de césped. Tomarla de los mangos plegados puede ocasionar lesiones graves o daños a la cortadora de césped.

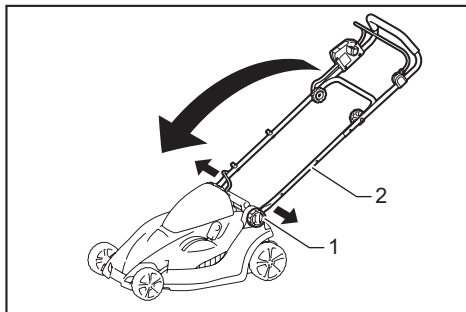
Antes de almacenar la cortadora de césped, extraiga el cartucho de batería de ésta.

Almacene la cortadora de césped en interiores en un lugar fresco, seco y bajo llave. No almacene la cortadora de césped ni el cargador en lugares donde la temperatura pueda alcanzar o exceder los 40 °C (104 °F).



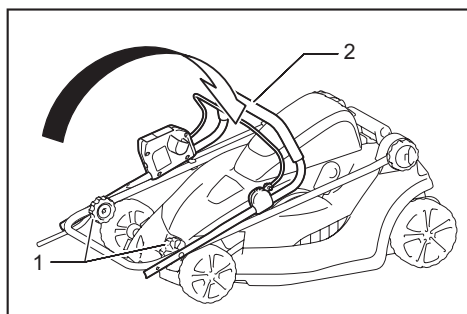
1. Empuñadura delantera 2. Empuñadura trasera

1. Afloje los tornillos de fijación y extienda el mango inferior a ambos lados. Mueva abajo el mango hacia adelante. En ese momento, sujete firmemente el mango inferior de manera que no caiga en el lado alejado del cuerpo de la cortadora de césped.



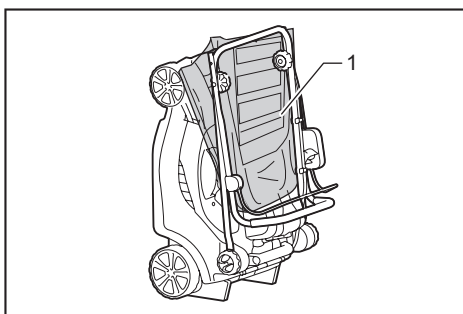
1. Tornillo de fijación 2. Mango inferior

2. Afloje las tuercas de fijación y gire el mango superior hacia atrás mientras lo extiende a ambos lados.



1. Tuerca de fijación 2. Mango superior

3. Almacene el canasto para césped entre el mango y el cuerpo de la cortadora de césped.



1. Canasto para césped

**NOTA:** Cuando coloque la cortadora de césped en posición vertical, en vez de sujetar el mango utilice la empuñadura delantera de la cortadora de césped.

Para mantener la **SEGURIDAD** y **FIABILIDAD** del producto, las reparaciones, y cualquier otra tarea de mantenimiento o ajuste deberán ser realizadas en centros de servicio autorizados o de fábrica Makita, empleando siempre repuestos Makita.

## RESOLUCIÓN DE PROBLEMAS

Antes de solicitar alguna reparación, primero realice una inspección por su cuenta. Si detecta algún problema que no esté explicado en el manual, no intente desensamblar la herramienta. En vez de esto, solicite la reparación a un centro de servicio autorizado de Makita, usando siempre piezas de repuesto Makita.

Estado de la anomalía	Causa probable (avería)	Remedio
La cortadora de césped no arranca.	No se han instalado dos cartuchos de batería.	Instale los cartuchos de batería cargados.
	Problema con la batería (bajo voltaje)	Recargue el cartucho de batería. Si la recarga no funciona, reemplace el cartucho de batería.
	La llave de cierre no está insertada.	Inserte la llave de cierre.
El motor deja de funcionar al poco tiempo de uso.	El nivel de carga de la batería es bajo.	Recargue el cartucho de batería. Si la recarga no funciona, reemplace el cartucho de batería.
	La altura de corte es demasiado baja.	Aumente la altura de corte.
El motor no alcanza el nivel máximo de RPM.	El cartucho de batería no está instalado correctamente.	Instale el cartucho de batería como se describe en este manual.
	La potencia de la batería está disminuyendo.	Recargue el cartucho de batería. Si la recarga no funciona, reemplace el cartucho de batería.
	El sistema de activación no funciona correctamente.	Solicite la reparación al centro de servicio autorizado de su localidad.
La herramienta de corte no gira: ⇒ ¡detenga la cortadora de césped de inmediato!	Se ha atorado un objeto extraño como una rama cerca de la cuchilla.	Retire el objeto extraño.
	El sistema de activación no funciona correctamente.	Solicite la reparación al centro de servicio autorizado de su localidad.
Vibración anormal: ⇒ ¡detenga la cortadora de césped de inmediato!	La cuchilla está desbalanceada o desgastada de manera excesiva o no uniforme.	Reemplace la cuchilla.

# ACCESORIOS OPCIONALES

**⚠️ PRECAUCIÓN:** Estos accesorios o aditamentos están recomendados para utilizarse con su herramienta Makita especificada en este manual.

El empleo de cualquier otro accesorio o aditamento puede conllevar el riesgo de lesiones personales.

Utilice los accesorios o aditamentos solamente para su fin establecido.

Si necesita cualquier ayuda para más detalles en relación con estos accesorios, pregunte a su centro de servicio local Makita.

- Cuchilla de la cortadora de césped
- Batería y cargador originales de Makita

**NOTA:** Algunos de los artículos en la lista pueden incluirse en el paquete de la herramienta como accesorios estándar. Éstos pueden variar de país a país.

## GARANTÍA LIMITADA DE UN AÑO DE MAKITA

### Ésta Garantía no aplica para México Política de garantía

Cada herramienta Makita es inspeccionada y probada exhaustivamente antes de salir de la fábrica. Se garantiza que está libre de defectos de mano de obra y materiales por el período de UN AÑO a partir de la fecha original de compra. Si durante este período de un año se desarrollara algún problema, devuelva la herramienta COMPLETA, con el envío prepagado, a un centro de servicio autorizado o de fábrica Makita. Si la inspección muestra que el problema ha sido a causa de un defecto de mano de obra o material, Makita hará la reparación (o a su discreción, el reemplazo) sin ningún cargo. Esta garantía no aplica cuando:

- las reparaciones se hayan hecho o intentado hacer por otros;
- se requieran reparaciones debido al desgaste normal;
- la herramienta haya sido maltratada, recibido un mal uso o haya recibido un mantenimiento inapropiado;
- se hayan hecho modificaciones a la herramienta.

EN NINGÚN CASO MAKITA SE HARÁ RESPONSABLE DE NINGÚN DAÑO INDIRECTO, INCIDENTAL, O DERIVADO DE LA VENTA O USO DEL PRODUCTO. ESTE DESCARGO DE RESPONSABILIDAD APLICA DURANTE Y DESPUÉS DEL PLAZO DE ESTA GARANTÍA. MAKITA RENUNCIA A LA RESPONSABILIDAD POR CUALQUIER GARANTÍA IMPLÍCITA, INCLUYENDO GARANTÍAS DE "COMERCIABILIDAD" Y "ADECUACIÓN PARA UN PROPÓSITO ESPECÍFICO", DESPUÉS DEL PLAZO DE UN AÑO DE ESTA GARANTÍA.

Esta garantía le concede derechos legales específicos y usted podrá tener también otros derechos que varían de un estado a otro. Algunos estados no permiten la exclusión o limitación de daños incidentales o

consecuentes, por lo que la limitación o exclusión arriba mencionada podría no aplicar para usted. Algunos estados no permiten la limitación sobre la duración de una garantía implícita, por lo que la limitación arriba mencionada podría no aplicar para usted.

**Makita Corporation**  
3-11-8, Sumiyoshi-cho,  
Anjo, Aichi 446-8502 Japan

885453-949  
XML02-1  
EN, FRCA,  
ESMX  
20150730