



PARTS BREAKDOWN

EK7301

PC-7414

PC-7412

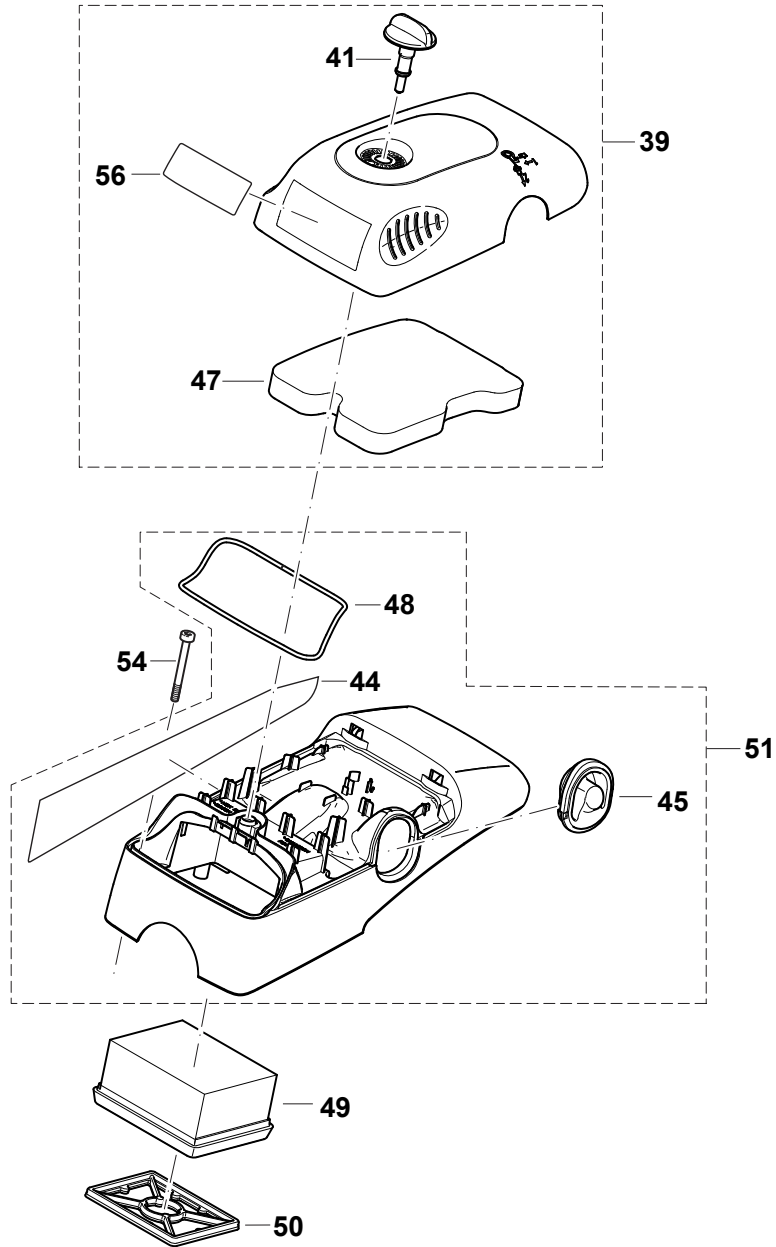
Products with multiple versions are listed in subsiding order with the newest version on top not indented.

Section	Fig. No.	Part No.	Description	EK7301	PC-7414	PC-7412	Tech Bulletin	Notes
1	5	394-114-101	SCREW PLUG	4	4	4		
1	5	394-114-100	SCREW PLUG	4	4	4		
1	6	394-114-070	RUBBER FOOT	1	1	1		
1	11	010-114-010	SUCTION HEAD	1	1	1		
1	11	963-601-122	SUCTION HEAD	1	1	1		
1	12	963-601-240	FELT	1	1	1		
1	14	424723-0	FUEL LINE, DPC6400	1	1	1		
1	14	965-404-913	FUEL LINE, DPC6400	1	1	1		
1	14	965-404-912	FUEL LINE, DPC6400	1	1	1		
1	14	965-404-911	FUEL LINE	1	1	1		
1	15	395-310-600	BRACKET	1	1	1		
1	16	424695-9	RUBBER BUFFER	1	1	1		
1	16	965-403-535	RUBBER BUFFER	1	1	1		
1	17	424695-9	RUBBER BUFFER	1	1	1		
1	17	965-403-535	RUBBER BUFFER	1	1	1		
1	18	424695-9	RUBBER BUFFER	1	1	1		
1	18	965-403-535	RUBBER BUFFER	1	1	1		
1	19	965-403-535	RUBBER BUFFER	1	1	1		
1	20	319268-0	AXLE	1	1	1		
1	20	394-114-281	AXLE	1	1	1		
1	21	319268-0	AXLE	1	1	1		
1	21	394-114-281	AXLE	1	1	1		
1	22	319268-0	AXLE	1	1	1		
1	22	394-114-281	AXLE	1	1	1		
1	23	346870-6	WASHER	1	1	1		
1	23	900-005-078	WASHER	1	1	1		
1	23	346870-6	WASHER	1	1	1		
1	24	900-005-078	WASHER	1	1	1		
1	25	266687-0	SCREW	1	1	1		
1	25	913-455-454	SCREW	1	1	1		
1	26	266687-0	SCREW	1	1	1		
1	26	913-455-454	SCREW	1	1	1		
1	27	266687-0	SCREW	1	1	1		
1	27	913-455-454	SCREW	1	1	1		

Products with multiple versions are listed in subsiding order with the newest version on top not indented.

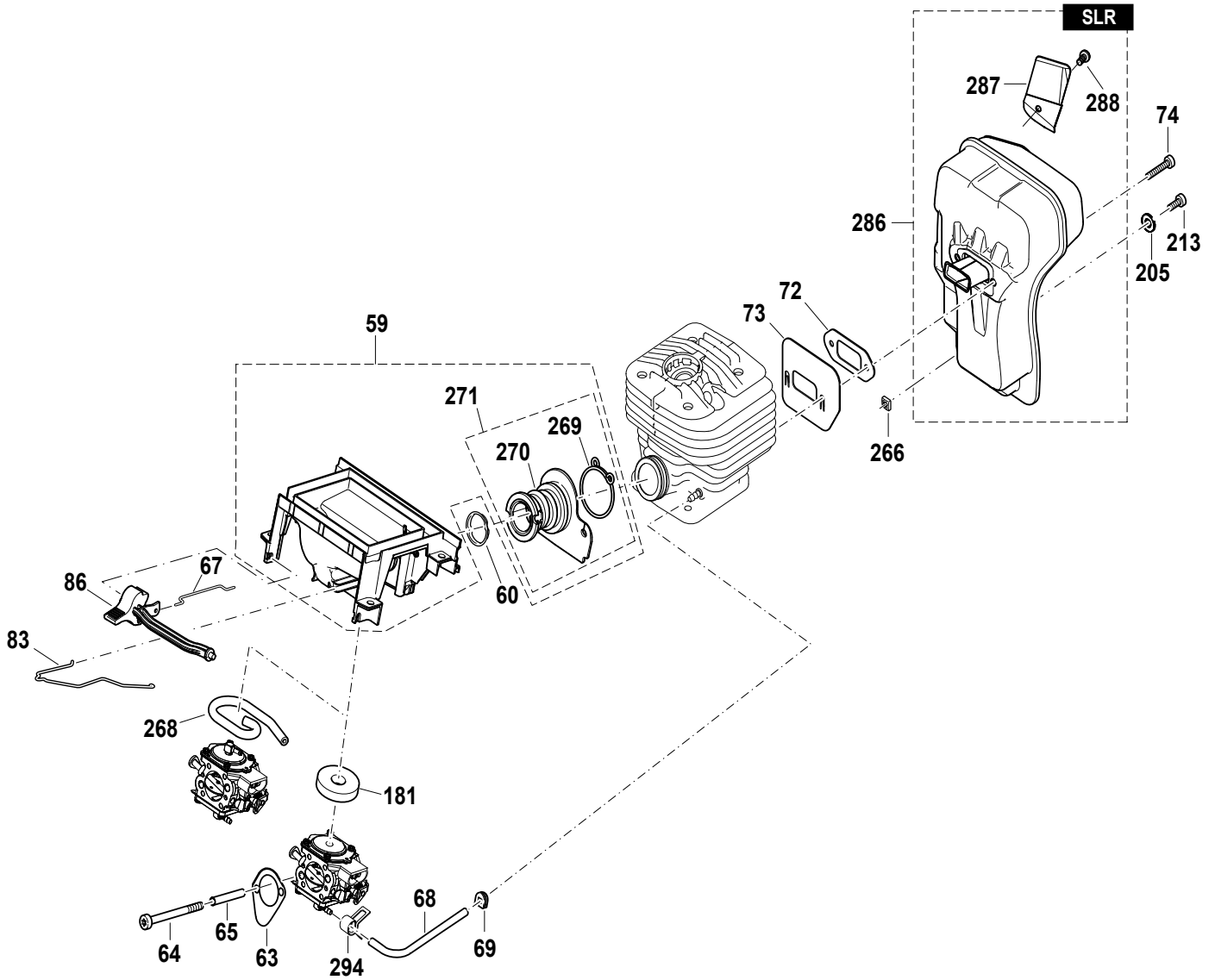
Section	Fig. No.	Part No.	Description	EK7301	PC-7414	PC-7412	Tech Bulletin	Notes
1	28	266687-0	SCREW	1	1	1		
1	28	913-455-204	SCREW	2	2	2		
1	29	266606-6	SCREW	1	1	1		
1	29	908-305-405	SCREW	1	1	1		
1	30	395-310-020	POT	1	1	1		
1	31	143097-7	WRAP AROUND HADLE CPL., EK7301	1	1	1		
1	31	394-310-101	WRAP AROUND HADLE CPL., EK7301	1	1	1		
1	31	394-310-100	WRAP AROUND HANDLE	1	1	1		
1	32	319270-3	FOOT, EK7301	1	1	1		
1	32	395-250-020	FOOT, EK7301	1	1	1		
1	32	394-114-190	FOOT	1	1	1		
1	33	980-115-215	LABEL	1	1	1		
1	34	913-455-454	SCREW	2	2	2		
1	35	394-114-271	FOOT CPL.	1	1	1		Optional Accessory
1	37	394-114-230	ROLLER	2	2	2		Optional Accessory
1	38	395-250-050	BUSHING	2	2	2		Optional Accessory
1	38	394-114-240	BUSHING	2	2	2		Optional Accessory
1	79	123321-4	TANK CPL. BLUE	1				
1	79	395-114-641	TANK CPL. BLUE	1				MAKITA
1	79	395-114-640	TANK CPL. BLUE	1				MAKITA
1	79	395-114-600	TANK CPL., BLUE	1				MAKITA
1	79	395-114-111	TANK CPL., RED		1	1		DOLMAR
1	80	957-117-040	THROTTLE MECHANISM, CPL.	1	1	1		
1	81	195762-4	AIR VALVE SET	1	1	1		
1	81	170-175-010	AIR VALVE CPL.	1	1	1		
1	83	326497-8	THROTTLE LINKAGE	1	1	1		
1	83	395-117-011	THROTTLE LINKAGE	1	1	1		
1	83	395-117-010	THROTTLE LINKAGE	1	1	1		
1	208	908-006-355	SCREW	2	2	2		Optional Accessory
1	209	908-905-165	SCREW	4	4	4		Optional Accessory
1	214	900-005-076	WASHER	1	1	1		
1	215	395-114-300	ANGULAR UNION ASSY.	1	1	1		
1	216	168507-3	TANK CAP CPL.					
1	216	181-114-202	TANK CAP CPL.	1	1	1		
1	217	213080-9	PACKING RING	2	2	2		
1	217	963-229-036	PACKING RING	2	2	2		





Products with multiple versions are listed in subsiding order with the newest version on top not indented.

Section	Fig. No.	Part No.	Description	EK7301	PC-7414	PC-7412	Tech Bulletin	Notes
2	39	123309-4	COVER ASS'Y, EK8100	1	1	1		
2	39	395-118-122	COVER ASS'Y, EK8100	1	1	1		
2	39	395-118-121	COVER ASSY.	1	1	1		
2	41	266692-7	FIXING	1	1	1		
2	41	395-118-010	FIXING	1	1	1		
2	45	395-118-050	RUBBER PART	1	1	1		
2	47	424700-2	PREFILTER, EK7301	1	1	1		
2	47	395-173-081	PREFILTER, EK7301	1	1	1		
2	47	395-173-080	PREFILTER	1	1	1		
2	48	424697-5	PACKING RING	1	1	1		
2	48	395-118-021	PACKING RING	1	1	1		
2	49	424701-0	AIR FILTER	1	1	1		
2	49	395-173-011	AIR FILTER	1	1	1		
2	49	395-173-010	AIR FILTER	1	1	1		
2	50	395-173-021	INNER FILTER	1	1	1		
2	50	395-173-020	INNER FILTER	1	1	1		
2	51	123308-6	HOOD CPL.	1	1	1		
2	51	395-118-085	HOOD CPL.	1	1	1		
2	51	395-118-083	HOOD CPL., EK7301	1	1	1		
2	54	908-605-505	SCREW	4	4	4		
2	55	980-115-560	LABEL	1	1	1		

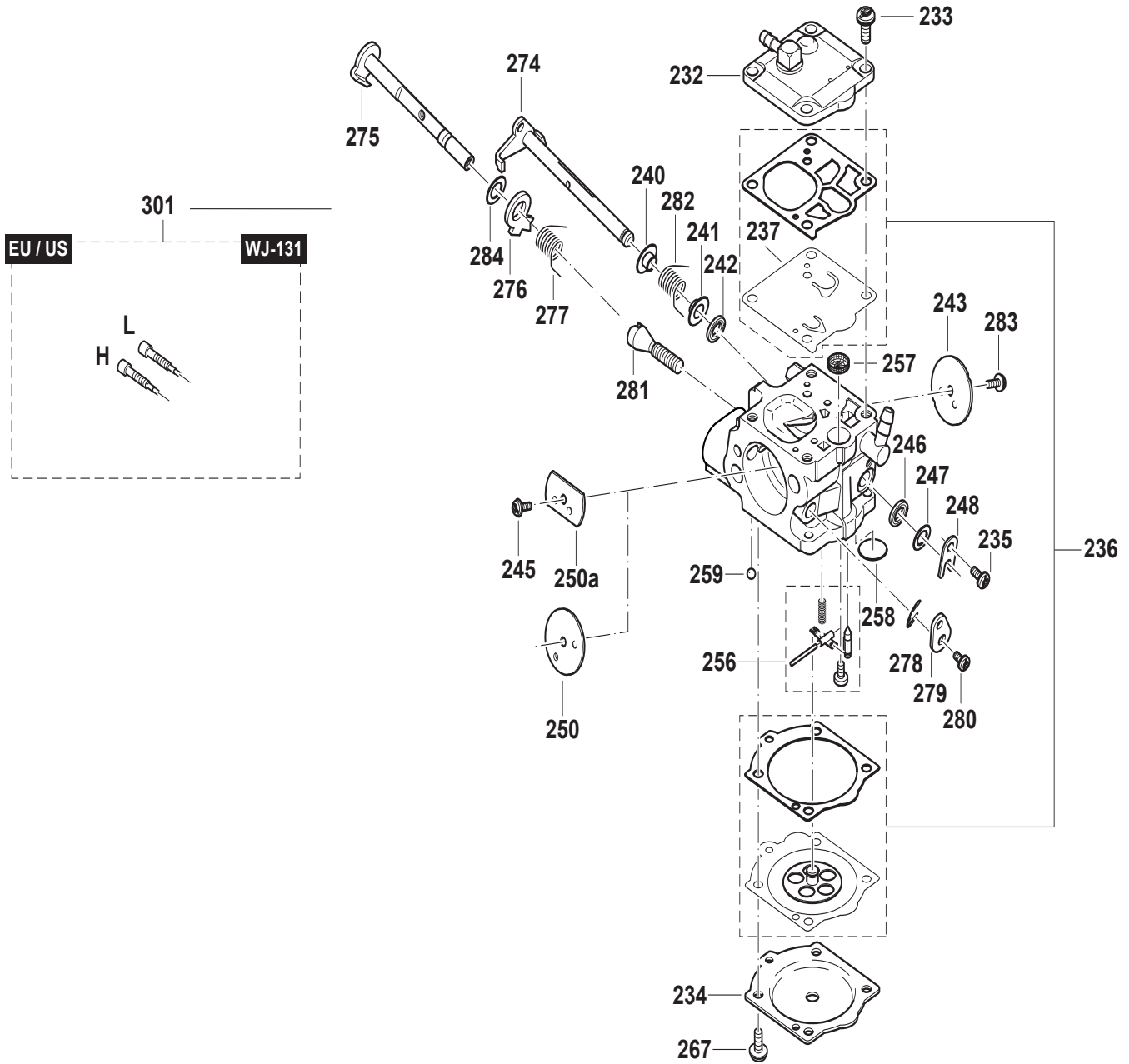


Products with multiple versions are listed in subsiding order with the newest version on top not indented.

Section	Fig. No.	Part No.	Description	EK7301	PC-7414	PC-7412	Tech Bulletin	Notes
3	59	395-171-072	CONNECTING MUFF CPL.	1	1	1		
3	60	346867-5	INSERT FOR SUCTION HOSE	1	1	1		
3	60	024-131-032	INSERT FOR SUCTION HOSE	1	1	1		
3	63	346874-8	GASKET	1	1	1		
3	63	965-518-121	GASKET	1	1	1		
3	63	965-518-120	GASKET	1	1	1		
3	64	908-204-555	SCREW	2	2	2		
3	65	970-502-052	TUBE	1	1	1		
3	65	970-502-050	TUBE	1	1	1		
3	67	326496-0	CHOKE SHAFT	1	1	1		
3	67	394-150-042	CHOKE SHAFT	1	1	1		
3	68	965-452-382	TUBE	1	1	1		
3	69	965-401-016	RUBBER BUSH	1	1	1		
3	72	346876-4	GASKET	1	1	1		
3	72	395-174-120	GASKET	1	1	1		
3	73	346868-3	COOLING PLATE	1	1	1		
3	73	395-174-110	COOLING PLATE	1	1	1		
3	74	266960-8	SCREW	2	2	2		
3	74	908-405-205	SCREW	2	2	2		
3	83	326497-8	THROTTLE LINKAGE	1	1	1		
3	83	395-117-011	THROTTLE LINKAGE	1	1	1		
3	83	395-117-010	THROTTLE LINKAGE	1	1	1		
3	86	957-395-001	CHOKE LEVER	1	1	1	2012-15	
3	86	395-150-011	CHOKE LEVER	1	1	1		
3	181	965-402-970	GASKET	1	1	1		
3	205	928-405-000	DISC	1	1	1		
3	213	908-005-125	SCREW	1	1	1		
3	266	264108-6	SQUARE NUT	1	1	1		
3	266	038-111-060	SQUARE NUT	1	1	1		
3	268	395-171-024	TUBE	1	1	1		
3	269	038-131-070	HOSE CLIP	1	1	1		

Products with multiple versions are listed in subsiding order with the newest version on top not indented.

Section	Fig. No.	Part No.	Description	EK7301	PC-7414	PC-7412	Tech Bulletin	Notes
3	270	424708-6	SUCTION HOSE	1	1	1		
3	270	394-131-200	SUCTION HOSE	1	1	1		
3	271	394-131-210	SUCTION HOSE	1	1	1		
3	286	161338-9	MUFFLER	1	1	1		
3	286	395-174-200	MUFFLER	1	1	1		
3	287	395-174-140	SPARK ARRESTER SCREEN	1	1	1		
3	288	913-242-100	ALLEN SCREW	1	1	1		
3	294	320-324-616	HOSE CLAMP	1	1	1		



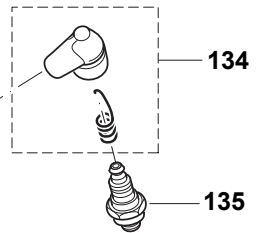
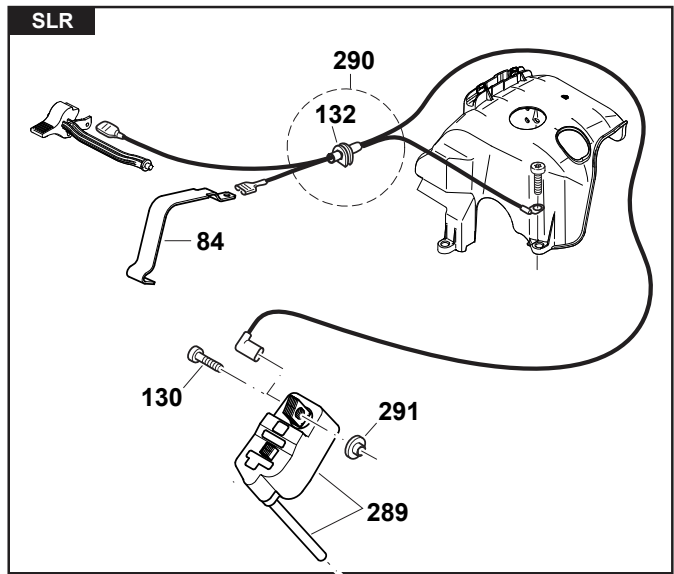
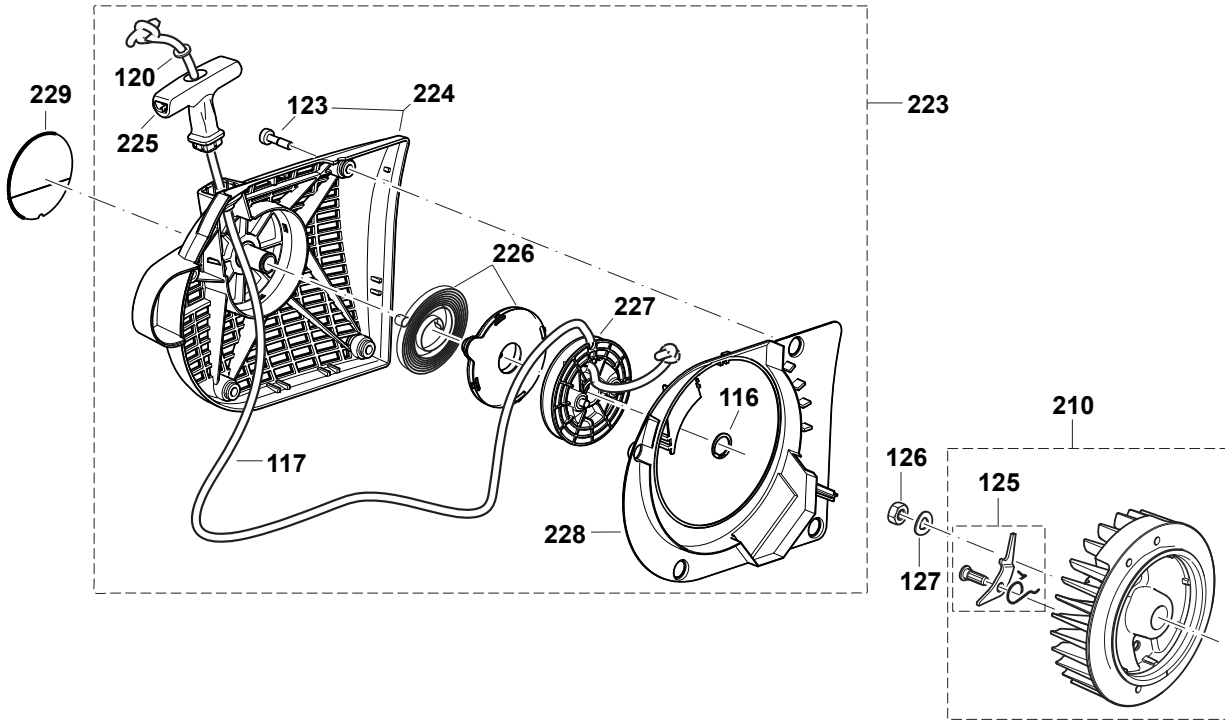
Products with multiple versions are listed in subsiding order with the newest version on top not indented.

Section	Fig. No.	Part No.	Description	EK7301	PC-7414	PC-7412	Tech Bulletin	Notes
4	232	394-151-160	PUMP COVER CPL.	1	1	1		
4	233	394-150-170	SCREW	4	4	4		
4	234	395-151-120	DIAPHRAGM COVER	1	1	1		
4	235	378-151-220	SCREW	1	1	1		
4	236	957-151-180	SET DIAPHRAGM / GASKETS	1	1	1		
4	237	394-151-150	PUMP DIAPHRAGM	1	1	1		
4	240	394-151-315	BUSHING	1	1	1		
4	241	394-151-315	BUSHING	1	1	1		
4	242	394-151-330	PACKING RING	1	1	1		
4	243	394-151-320	THROTTLE SHUTTER	1	1	1		
4	245	394-151-660	SCREW	1	1	1		
4	246	394-151-330	PACKING RING	1	1	1		
4	247	394-151-400	DISC, DPC8112	1	1	1		
4	248	108-151-350	SHAFT CLIP	1	1	1		
4	250	395-151-265	CHOKE SHUTTER	1	1	1		
4	250	395-151-260	CHOKE SHUTTER	1	1	1		
4	250	394-151-260	CHOKE SHUTTER	1	1	1		
4	254	394-151-470	IDLE ADJUSTMENT SCREW	1	1	1		NON REGULATED MARKET
4	255	021-151-480	SPRING	1	1	1		NON REGULATED MARKET
4	256	957-151-191	CONTROL PARTS	1	1	1		
4	256	957-151-190	CONTROL PARTS	1	1	1		
4	257	352010-6	SCREEN	1	1	1		
4	257	021-151-180	SCREEN	1	1	1		
4	258	394-151-040	COVER DISC	1	1	1		
4	259	394-151-510	LOCKING BALL	1	1	1		
4	260	001-151-450	MAIN ADJUSTM. SCREW	1	1	1		NON REGULATED MARKET
4	261	021-151-480	SPRING	1	1	1		NON REGULATED MARKET
4	267	378-151-220	SCREW	4	4	4		
4	274	395-151-130	THROTTLE SHAFT	1	1	1		
4	275	395-151-170	CHOKE SHAFT	1	1	1		
4	276	395-151-110	FAST IDLE LEVER	1	1	1		
4	277	395-151-190	TORSION SPRING	1	1	1		
4	278	119-151-350	SHAFT CLIP	1	1	1		
4	279	395-151-180	CHOKE LEVER	1	1	1		
4	280	394-151-660	SCREW	1	1	1		

Products with multiple versions are listed in subsiding order with the newest version on top not indented.

Section	Fig. No.	Part No.	Description	EK7301	PC-7414	PC-7412	Tech Bulletin	Notes
4	281	395-151-140	IDLE STOP SCREW	1	1	1		
4	282	395-151-150	TORSION SPRING	1	1	1		
4	283	394-151-660	SCREW, EK8100	1	1	1		
4	283	395-151-160	SCREW	1	1	1		
4	284	170-151-290	WASHER	1	1	1		
4	301	162532-6	CARBURETOR, EK7301,DPC7331,DPC8132	1	1	1	C19014	10-2019 = >
4	301	161315-1	CARBURETOR, EK7301,DPC7331,DPC8132	1	1	1		> 2019-9
4	301	395-151-025	CARBURETOR, EK7301,DPC7331,DPC8132	1	1	1		



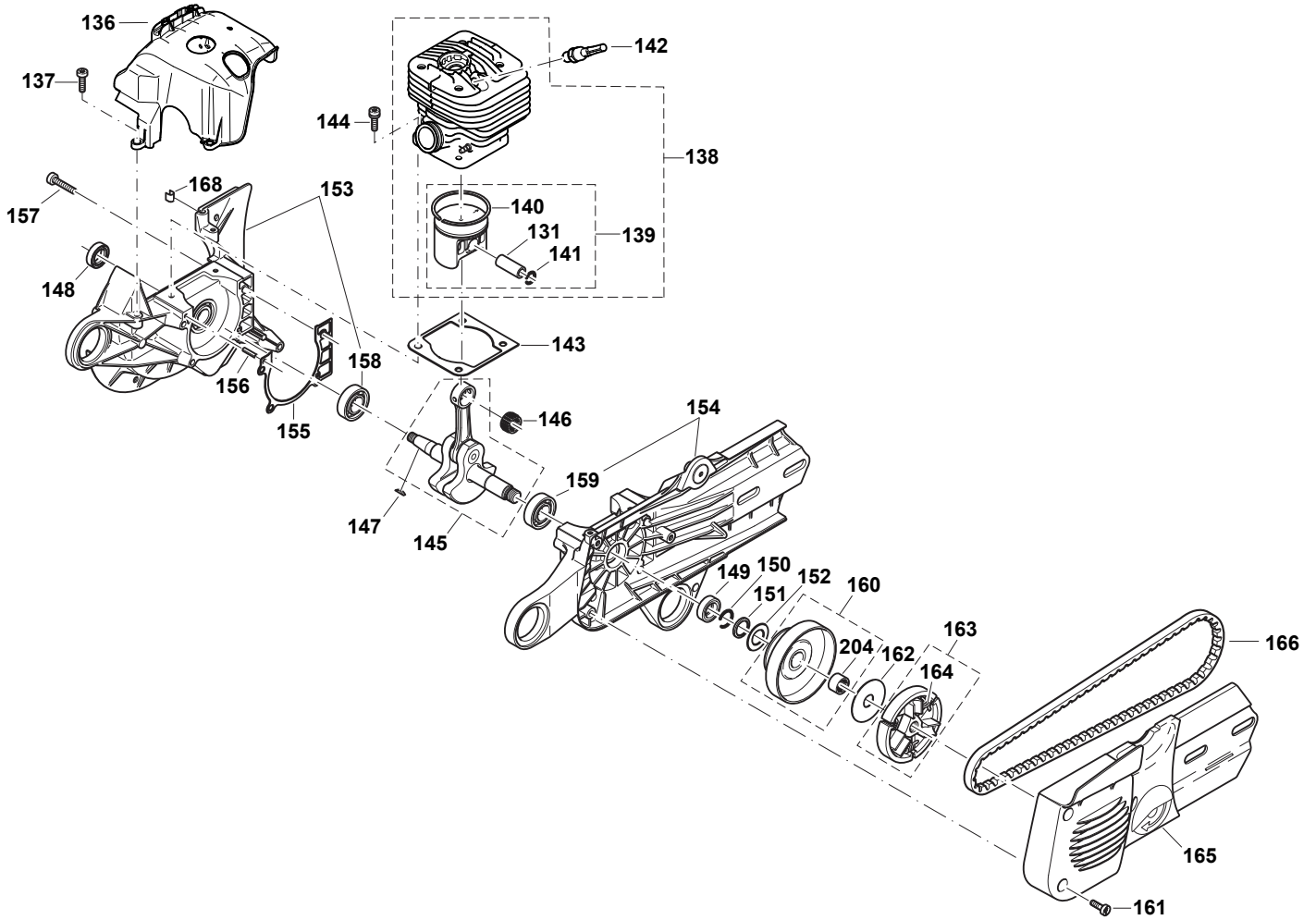


Products with multiple versions are listed in subsiding order with the newest version on top not indented.

Section	Fig. No.	Part No.	Description	EK7301	PC-7414	PC-7412	Tech Bulletin	Notes
5	84	957-395-001	CONTACT SPRING	1	1	1	2012-15	
5	84	395-146-011	CONTACT SPRING	1	1	1		
5	116	929-314-100	SNAP RING	1	1	1		
5	117	394-164-020	STARTER ROPE BLACK	1	1	1		
5	117	122-164-010	STARTER ROPE	1	1	1		
5	120	928-405-000	DISC	1	1	1		
5	123	266607-4	SCREW	4	4	4		
5	123	908-605-205	SCREW	4	4	4		
5	125	031-166-010	STARTER RATCHET CPL.	2	2	2		Superseded to 123306-0
5	126	920-208-024	HEXAGONAL NUT	1	1	1		
5	127	267822-3	SPRING WASHER 8	1	1	1		
5	127	926-208-001	SPRING WASHER	1	1	1		
5	130	266607-4	SCREW	2	2	2		
5	130	908-605-205	SCREW	2	2	2		
5	132	965-401-016	RUBBER BUSH	1	1	1		
5	134	957-604-260	SPARK PLUG CAP CPL.	1	1	1		
5	135	965-603-021	SPARK PLUG	1	1	1		NGK BPMR7A .020
5	210	123306-0	FLYWHEEL ASSY.	1	1	1		
5	210	394-141-100	FLYWHEEL ASSY.	1	1	1		
5	210	394-141-090	FLYWHEEL ASSY.	1	1	1		
5	223	123357-3	STARTER ASS'Y BLUE, DPC7331	1				
5	223	395-160-600	STARTER ASS'Y BLUE, DPC7331	1				MAKITA
5	223	395-160-100	STARTER ASSY, RED		1	1		DOLMAR
5	224	395-160-630	STARTER CASE BLUE, DPC7331	1				MAKITA
5	225	452458-3	STARTER KNOB	1	1	1		
5	225	181-164-010	STARTER KNOB	1	1	1		
5	226	140587-1	REWIND SPRING IN HOUSING	1	1	1		
5	226	181-163-050	REWIND SPRING IN HOUSING	1	1	1		
5	227	395-162-020	CABLE DRUM CPL.	1	1	1		
5	228	395-118-170	AIR GUIDE PLATE	1	1	1		
5	229	980-115-742	LABEL		1	1		DOLMAR
5	289	161310-1	IGNITION COIL	1	1	1		
5	289	395-143-010	IGNITION COIL	1	1	1		

Products with multiple versions are listed in subsiding order with the newest version on top not indented.

Section	Fig. No.	Part No.	Description	EK7301	PC-7414	PC-7412	Tech Bulletin	Notes
5	290	965-605-514	CABLE WITH PLUG	1	1	1		
5	290	965-605-513	CABLE WITH PLUG	1	1	1		
5	290	965-605-512	CABLE WITH PLUG	1	1	1		
5	291	451462-9	WASHER	2	2	2		
5	291	195-143-031	WASHER	2	2	2		
5	291	195-143-030	WASHER	2	2	2		



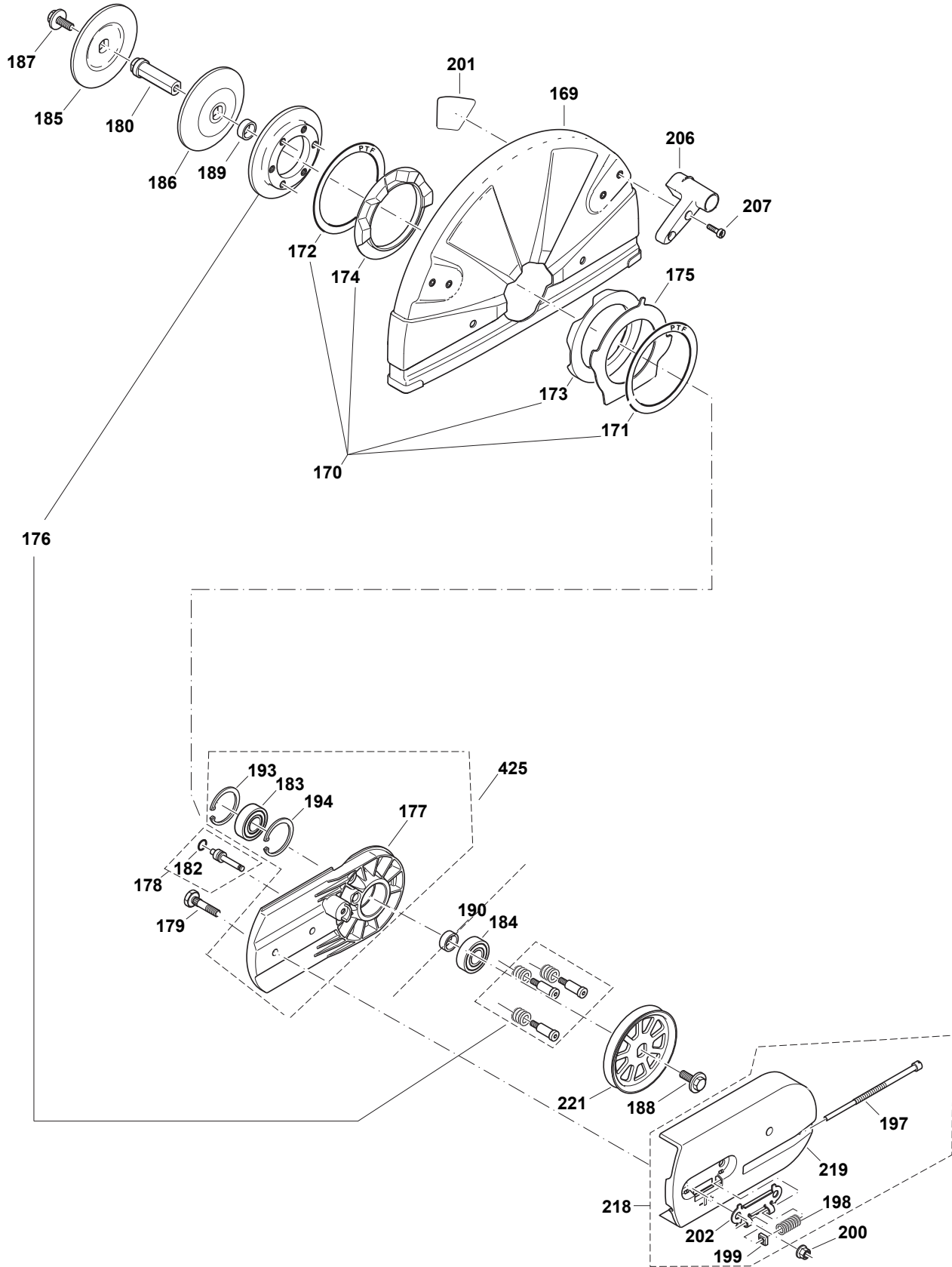
Products with multiple versions are listed in subsiding order with the newest version on top not indented.

Section	Fig. No.	Part No.	Description	EK7301	PC-7414	PC-7412	Tech Bulletin	Notes
6	131	119-132-030	PISTON PIN	1	1	1		
6	136	455819-6	COOLING HOOD	1	1	1		
6	136	395-131-041	COOLING HOOD	1	1	1		
6	136	395-131-040	HOOD	1	1	1		
6	137	909-005-155	BOLT	3	3	3		
6	138	183H02-0	CYLINDER / PISTON, CPL.	1	1	1		
6	138	395-130-100	CYLINDER / PISTON, CPL.	1	1	1		
6	139	395-132-100	PISTON CPL.	1	1	1		
6	139	395-132-051	PISTON CPL.	1	1	1		
6	139	395-132-050	PISTON CPL.	1	1	1		
6	140	394-132-020	PISTON RING	1	1	1		
6	141	119-132-060	SPRING RING	2	2	2		
6	142	455804-9	VALVE	1	1	1		
6	142	395-118-071	VALVE	1	1	1		
6	143	346873-0	GASKET, METAL	1	1	1		
6	143	965-531-160	GASKET, METAL	1	1	1		
6	144	266473-9	SCREW	4	4	4		
6	144	908-805-235	SCREW	4	4	4		
6	145	395-120-100	CRANKSHAFT CPL.	1	1	1		
6	145	395-120-010	CRANKSHAFT CPL.	1	1	1		
6	146	212133-1	NEEDLE CAGE	1	1	1		
6	146	962-210-121	NEEDLE CAGE	1	1	1		
6	146	962-210-015	NEEDLE CAGE	1	1	1		
6	147	939-630-370	KEY	1	1	1		
6	147	213814-0	RADIAL RING	1	1	1		
6	148	962-900-052	RADIAL RING	1	1	1		
6	149	213814-0	RADIAL RING	1	1	1		
6	149	962-900-052	RADIAL RING	1	1	1		
6	150	234366-8	SPRING RING	1	1	1		
6	150	930-916-160	SPRING RING	1	1	1		
6	151	346872-2	STOP RING	1	1	1		
6	151	394-245-010	STOP RING	1	1	1		

Products with multiple versions are listed in subsiding order with the newest version on top not indented.

Section	Fig. No.	Part No.	Description	EK7301	PC-7414	PC-7412	Tech Bulletin	Notes
6	152	346866-7	GUIDE DISC	1	1	1		
6	152	394-182-020	GUIDE DISC	1	1	1		
6	153	395-111-110	CRANKC., MAG. SIDE	1	1	1		
6	154	143225-4	CRANKC., CLUTCH SIDE	1	1	1		
6	154	326-111-740	CRANKC., CLUTCH SIDE	1	1	1		
6	155	965-531-111	GASKET	1	1	1		
6	156	258038-1	CLAMPING PIN	2	2	2		
6	156	936-430-160	CLAMPING PIN	2	2	2		
6	157	908-005-305	SCREW	5	5	5		
6	158	960-102-152	BALL BEARING (USE GLUE)	1	1	1		
6	158	960-102-159	BALL BEARING (USE GLUE)	1	1	1		
6	159	960-102-152	BALL BEARING (USE GLUE)	1	1	1		
6	159	960-102-159	BALL BEARING (USE GLUE)	1	1	1		
6	160	161317-7	CLUTCH DRUM CPL.	1	1	1		
6	160	395-223-200	CLUTCH DRUM CPL.	1	1	1		
6	160	394-223-025	CLUTCH DRUM CPL.	1	1	1		
6	161	266947-0	SCREW	3	3	3		
6	161	908-605-145	SCREW	3	3	3		
6	162	267389-1	DISC	1	1	1		
6	162	001-182-042	DISC	1	1	1		
6	163	123305-2	CLUTCH ASSY.	1	1	1		
6	163	010-180-026	CLUTCH ASSY.	1	1	1		
6	163	010-180-024	CLUTCH ASSY.	1	1	1		
6	164	232352-3	SPRING	3	3	3		
6	164	181-184-020	SPRING	3	3	3		
6	164	024-184-021	SPRING	3	3	3		
6	165	455832-4	COVER, BLUE	1				MAKITA
6	165	395-213-670	COVER, BLUE	1				MAKITA
6	165	455834-0	COVER, RED		1	1		DOLMAR
6	165	395-213-070	COVER, RED		1	1		DOLMAR
6	166	424712-5	V-BELT	1	1	1		
6	166	965-300-470	V-BELT	1	1	1		
6	168	965-402-870	RUBBER PLATE	1	1	1		
6	204	212134-9	NEEDLE BUSH	1	1	1		
6	204	962-300-017	NEEDLE BUSH	1	1	1		





Products with multiple versions are listed in subsiding order with the newest version on top not indented.

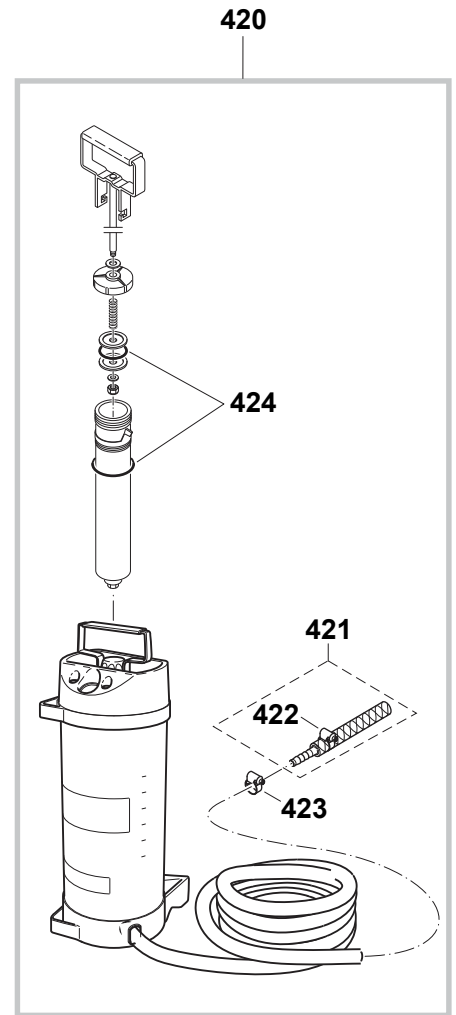
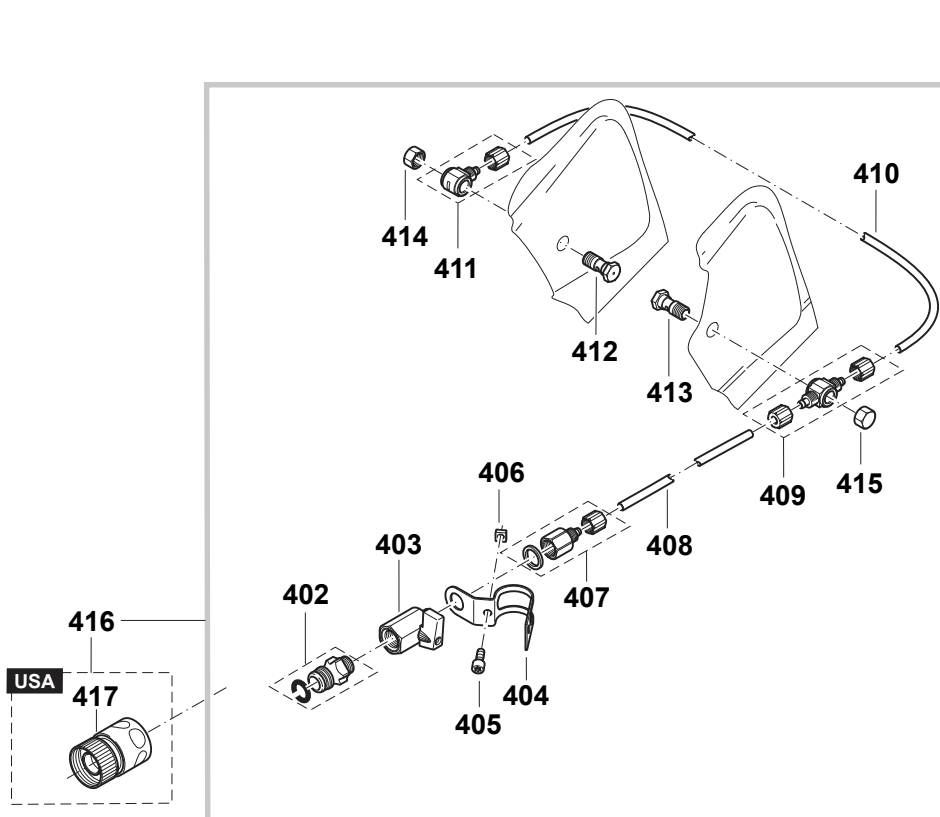
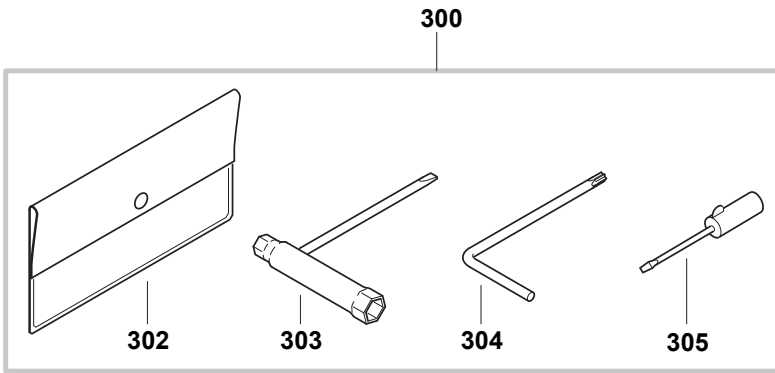
Section	Fig. No.	Part No.	Description	EK7301	PC-7414	PC-7412	Tech Bulletin	Notes
7	169	143792-9	14" HOOD	1	1			
7	169	346458-2	14" HOOD	1	1			
7	169	394-341-052	14" HOOD	1	1			
7	169	394-341-051	14" HOOD	1	1			
7	169	325-341-611	12" HOOD			1		12" HOOD
7	170	957-342-011	MOUNTING, CPL.	1	1	1		
7	171	442169-8	SLIDING DISC	1	1	1		
7	171	394-342-180	SLIDING DISC	1	1	1		
7	172	442169-8	SLIDING DISC	1	1	1		
7	172	394-342-180	SLIDING DISC	1	1	1		
7	173	424427-4	RUBBER RING EXT.	1	1	1		
7	173	965-404-900	RUBBER RING EXT.	1	1	1		
7	174	424426-6	RUBBER RING INT.	1	1	1		
7	174	965-404-900	RUBBER RING INT.	1	1	1		
7	175	346455-8	IMPACT PLATE	1	1	1		
7	175	394-342-160	IMPACT PLATE	1	1	1		
7	176	394-342-201	PRESSURE RING CPL.	1	1	1		
7	177	319286-8	CUTTING ARM DEVICE	1	1	1		
7	177	394-211-740	CUTTING DEVICE ASSY.	1	1	1		KIT NO LONGER AVAILABLE
7	178	394-342-190	BOLT CPL.	1	1	1		
7	179	266688-8	SCREW	2	2	2		
7	179	394-211-091	SCREW	2	2	2		
7	180	394-228-101	AXLE	1	1	1		20mm ARBOR
7	180	326503-9	AXLE	1	1	1		25.4mm ARBOR
7	180	394-228-111	AXLE	1	1	1		25.4mm ARBOR
7	182	213625-3	PACKING RING	1	1	1		
7	182	963-209-020	PACKING RING	1	1	1		
7	183	211490-4	BALL BEARING	1	1	1		
7	183	211281-3	BALL BEARING	1	1	1		
7	183	960-102-176	BALL BEARING	1	1	1		
7	184	211490-4	BALL BEARING	1	1	1		
7	184	211281-3	BALL BEARING	1	1	1		
7	184	960-102-176	BALL BEARING	1	1	1		

Products with multiple versions are listed in subsiding order with the newest version on top not indented.

Section	Fig. No.	Part No.	Description	EK7301	PC-7414	PC-7412	Tech Bulletin	Notes
7	185	224478-5	PRESSURE DISC	1	1	1		
7	185	224443-4	PRESSURE DISC	1	1	1		
7	185	326-228-020	PRESSURE DISC	1	1	1		
7	186	224478-5	PRESSURE DISC	1	1	1		
7	186	224443-4	PRESSURE DISC	1	1	1		
7	186	326-228-020	PRESSURE DISC	1	1	1		
7	187	266976-3	HEXAGONAL SCREW	1	1	1		
7	187	266690-1	HEXAGONAL SCREW	1	1	1		
7	187	994-290-250	HEXAGONAL SCREW	1	1	1		
7	187	994-280-250	HEXAGONAL SCREW	1	1	1		
7	188	266976-3	HEXAGONAL SCREW	1	1	1		
7	188	266690-1	HEXAGONAL SCREW	1	1	1		
7	188	994-290-250	HEXAGONAL SCREW	1	1	1		
7	188	994-280-250	HEXAGONAL SCREW	1	1	1		
7	189	394-228-022	SPACER	1	1	1		
7	189	394-228-021	SPACER	1	1	1		
7	190	394-228-022	SPACER	1	1	1		
7	190	394-228-021	SPACER	1	1	1		
7	193	929-240-180	SNAP RING	1	1	1		
7	194	929-240-180	SNAP RING	1	1	1		
7	197	266691-9	TENSIONING SCREW	1	1	1		
7	197	394-213-032	TENSIONING SCREW	1	1	1		
7	198	234215-9	SPRING	1	1	1		
7	198	394-342-120	SPRING	1	1	1		
7	199	264112-5	SQUARE NUT	1	1	1		
7	199	921-906-004	SQUARE NUT	1	1	1		
7	200	252145-2	HEXAGONAL NUT	2	2	2		
7	200	923-208-004	HEXAGONAL NUT	2	2	2		
7	201	980-114-975	SAFETY LABEL	1	1			14" 25.4mm
7	201	980-114-974	SAFETY LABEL	1	1			14" 20mm
7	202	346457-4	METAL SHEET	1	1	1		
7	202	394-213-021	METAL SHEET	1	1	1		

Products with multiple versions are listed in subsiding order with the newest version on top not indented.

Section	Fig. No.	Part No.	Description	EK7301	PC-7414	PC-7412	Tech Bulletin	Notes
7	206	452938-9	GRIP	1	1	1		
7	206	326-341-301	GRIP	1	1	1		
7	206	326-341-300	GRIP	1	1	1		
7	207	908-605-165	SCREW	2	2	2		
7	218	135924-2	COVER CPL., BLUE	1				MAKITA
7	218	395-211-640	COVER CPL., BLUE	1				MAKITA
7	218	395-211-040	COVER CPL., RED		1	1		DOLMAR
7	219	455956-6	COVER, BLUE	1				MAKITA
7	219	395-211-620	COVER, BLUE	1				MAKITA
7	219	455823-5	COVER, RED		1	1		DOLMAR
7	219	395-211-020	COVER, RED		1	1		
7	221	222180-4	BELT PULLEY	1	1	1		
7	221	394-221-050	BELT PULLEY	1	1	1		
7	425	135954-3	CUTTING DEVICE ASSY.	1	1	1	Y07617	INC. 177, 184, 193,194



Products with multiple versions are listed in subsiding order with the newest version on top not indented.

Section	Fig. No.	Part No.	Description	EK7301	PC-7414	PC-7412	Tech Bulletin	Notes
8	300	957-004-006	TOOLS CPL.	1	1	1		
8	303	782028-7	UNIVERSAL WRENCH	1	1	1		
8	303	941-719-141	UNIVERSAL WRENCH	1	1	1		
8	304	782025-3	ANGLED SCREW DRIVER	1	1	1		
8	305	944-340-001	SCREWDRIVER	1	1	1		
8	306	197318-9	ADAPTER	1	1	1		
8	306	394-228-121	ADAPTER	1	1	1		
8	402	964-802-282	HOSE CONNECTOR	1	1	1		
8	403	964-802-291	SHUT OFF COCK	1	1	1		
8	404	394-365-163	CLAMP	1	1	1		
8	404	394-365-160	CLAMP	1	1	1		
8	405	909-006-145	SCREW	1	1	1		
8	406	264112-5	SQUARE NUT	1	1	1		
8	406	921-906-004	SQUARE NUT	1	1	1		
8	407	964-802-410	CONNECTING PIECE	1	1	1		
8	408	964-802-322	HOSE, DT2000	1	1	1		
8	409	964-802-332	CONNECTING PIECE	1	1	1		
8	410	964-802-322	HOSE	1	1	1		
8	411	964-802-342	CONNECTING PIECE	1	1	1		
8	411	964-802-340	CONNECTING PIECE	1	1	1		
8	412	964-802-352	HOLLOW SCREW, BORED	1	1	1		
8	413	964-802-352	HOLLOW SCREW, BORED	1	1	1		
8	414	264109-4	CAP NUT	1	1	1		
8	414	964-802-362	CAP NUT	1	1	1		
8	415	264109-4	CAP NUT	1	1	1		
8	415	964-802-362	CAP NUT	1	1	1		
8	416	394-365-631	WATER ATTACHMENT KIT	1	1	1		
8	417	123120-4	COUPLING SLEEVE	1	1	1		
8	417	964-802-400	COUPLING SLEEVE	1	1	1		
8	420	957-802-600	PRESSURISED WATER TANK	1	1	1		
8	421	394-365-180	CONNECTING REDUCER	1	1	1		
8	422	964-802-250	HOSE CLIP	1	1	1		
8	423	964-802-250	HOSE CLIP	1	1	1		
8	424	957-963-200	GASKET SET	1	1	1		