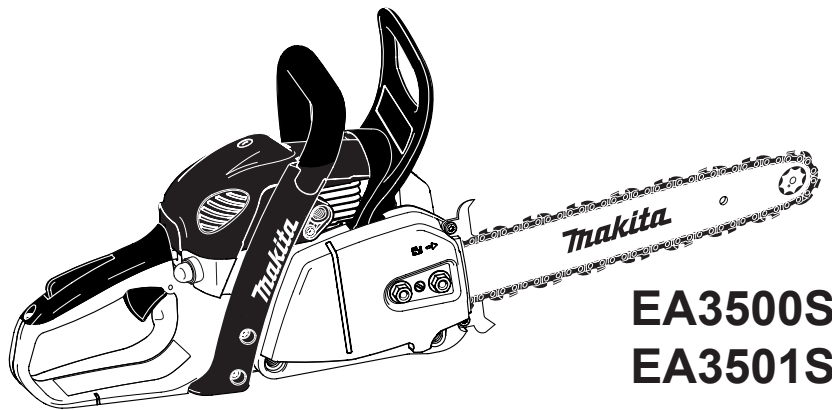




Operator's and Safety Manual for Gasoline Chain Saws Manuel d'emploi et de sécurité de tronçonneuses thermiques Manual de empleo y de seguridad para motosierras



WARNING! Read and understand this Manual. Always follow safety precautions in the Operator's and Safety Manual. Improper use can cause serious injury! Preserve this Manual carefully!

WARNING! FUELS WITH MORE THAN 10% ETHANOL ARE NOT APPROVED FOR USE IN MAKITA 2-STROKE ENGINES! Use of alternative fuels, such as E-20 (20% ethanol), E-85 (85% ethanol) or any fuels not meeting MAKITA requirements are not approved for use in MAKITA 2-stroke gasoline engines!

USE OF ALTERNATIVE FUELS CAN CAUSE THE FOLLOWING PROBLEMS: Poor engine performance, loss of power, overheating, fuel vapor lock, improper clutch engagement, premature deterioration of fuel lines, premature deterioration of gaskets, premature deterioration of carburetors. **USING ALTERNATIVE FUELS AND/OR 2-STROKE OILS NOT ACCORDING TO JASO FC OR ISO-L-EGD IN MAKITA 2-STROKE ENGINES WILL VOID YOUR ENGINE WARRANTY!**

AVERTISSEMENT! Suivez toujours les conseils de sécurité du présent manuel d'emploi et de sécurité. Une utilisation incorrecte de la tronçonneuse peut entraîner des blessures graves! Lisez et comprenez ce manuel. Conservez avec soin ce manuel!

AVERTISSEMENT! LES CARBURANTS CONTENANT PLUS DE 10 % D'ÉTHANOL NE SONT PAS AUTORISÉS POUR L'UTILISATION DANS LES MOTEURS 2 TEMPS! Les carburants alternatifs, tels que E-20 (20 % d'éthanol), E-85 (85 % d'éthanol) ou tout autre carburant n'étant pas conformes aux exigences MAKITA ne sont pas autorisés pour l'utilisation dans les moteurs essence à 2 temps MAKITA!

L'UTILISATION DE CARBURANTS ALTERNATIFS PEUT CAUSER LES PROBLÈMES SUIVANTS: Faible performance moteur, Perte de puissance, Surchauffe, Bouchons de vapeur dans la conduite d'essence, Embayage incorrect, Détérioration prématurée des conduites d'essence, Détérioration prématurée des joints d'étanchéité, Détérioration prématurée des carburateurs. **L'UTILISATION DE CARBURANTS ALTERNATIFS ET/OU D'HUILES 2 TEMPS NON-CONFORMES À LA NORME JASO FC OU ISO-L-EGD DANS LES MOTEURS À 2 TEMPS MAKITA ANNULERA VOTRE GARANTIE MOTEUR!**

¡ADVERTENCIA! Observe siempre las instrucciones de seguridad contenidas en el manual. Lea y compenétrese con el contenido del manual. El uso inadecuado de la motosierra puede causar lesiones de gravedad. Conserve este manual cuidadosamente.

¡ADVERTENCIA! ¡NO SE AUTORIZAN LOS COMBUSTIBLES CON MÁS DEL 10% DE ETANOL PARA SU USO EN LOS MOTORES DE 2-TIEMPOS MAKITA! ¡El uso de combustibles alternativos, como el E-20 (20% de etanol), E-85 (85% de etanol) o cualquier otro combustible que no cumplan los requisitos de MAKITA no están autorizados para su uso en motores de gasolina de 2-tiempos MAKITA!

EL USO DE COMBUSTIBLES ALTERNATIVOS PUEDE CAUSAR LOS SIGUIENTES PROBLEMAS: Pobre rendimiento del motor, Pérdida del potencia, Sobrecalentamiento, Formación de burbujas de vapor en la tubería del combustible, Acople inadecuado del embrague, Deterioro prematuro de las tuberías de combustible, Deterioro prematuro de la juntas, Deterioro prematuro del carburador. **EL USO DE COMBUSTIBLES ALTERNATIVOS Y DE ACEITES PARA MOTORES DE 2-TIEMPOS DISTINTOS DE LOS DE LA NORMA JASO FC O ISO-L-EGD EN EN LOS MOTORES DE 2-TIEMPOS MAKITA ANULARÁ LA GARANTIA DEL MOTOR.**

ENGLISH

WARNING !

Careless or improper use of this product can cause serious or even fatal injury. Before operating a chain saw or other MAKITA products it is important that you read, fully understand and carefully follow the instructions outlined in this operator's manual.

Kickback may cause severe or fatal injury and is one of many potential dangers in operating a chain saw. Kickback and other safety related precautions are described in detail within this operator's manual. Additional operator's manuals are available from www.makitausa.com and 1-800-4-MAKITA (462-5482) and MAKITA CANADA INC., 1950 Forbes Street, Whitby, Ontario, L1N 7B7, Canada, Telephone: (905) 571 22 00.

This product complies with:	American National Standard Institute	B 175.1-2012 chain saw safety standard.
	Canadian Standards Association	Z62.1-15 chain saw safety standard. Z62.3-11 chain saw kickback standard.
	Society of Automotive Engineers	SAEJ 335-Jun 95 "Multiposition small engine exhaust system fire ignition suppression".

This spark ignition system complies with the Canadian standard ICES-002. The Emissions Compliance Period referred to on the emission Compliance label indicates the number of operating hours for which the engine has been shown to meet federal emissions requirements. Category C= 50 hours, B= 125 hours, and A= 300 hours.

With the purchase of this chain saw you have chosen a German quality product. Important instructions for the assembly and operation of this saw are given in this manual. For your own safety, we ask you to read the accident prevention instructions very carefully before putting your chain saw into operation, as incorrect handling can, despite all precautions, lead to accidents. With a little care and attention you will have good service and lasting satisfaction from this first-rate product.

WARNING

The ignition system of this equipment produces an electromagnetic field. This field may interfere with some medical devices such as a pacemaker. To reduce the risk of serious or fatal injury, persons with a medical device should consult with their physician and the manufacturer of the device before operating this equipment.



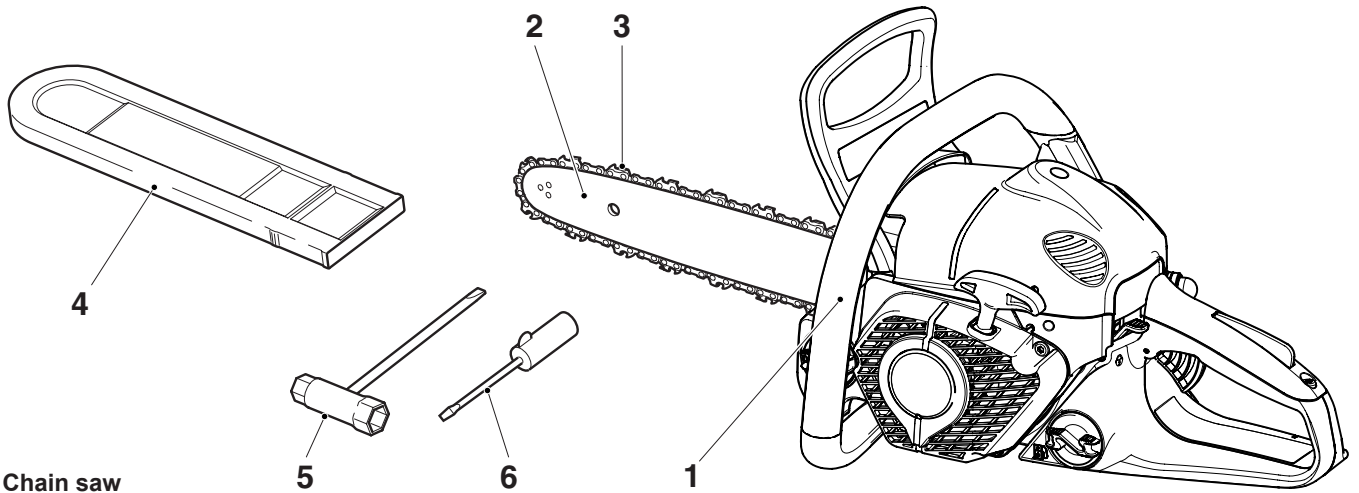
EA3500S, EA3501S

Contents	Page	Contents	Page
Delivery inventory	3	Checking the chain lubrication	28
Symbols	3	Adjusting the chain lubrication.....	28
Safety precautions	4	Starting the engine	29
Denomination of components.....	16	Cold starting:	29
Technical data.....	17	Warm starting:	29
PUTTING INTO OPERATION		Stopping the engine	29
Only for models with fastening nuts on the sprocket guard (EA3500S)		Checking the chain brake.....	30
Mounting the guide bar and saw chain.....	18	Adjusting the carburetor	30
Tightening the saw chain.....	19	MAINTENANCE	
Checking the chain tension	20	Sharpening the saw chain	31
Retightening the saw chain	20	Cleaning the inside of the sprocket guard	33
Only for the QuickSet guide bar		Cleaning the guide bar	33
Mounting the guide bar and saw chain.....	21	Replacing the saw chain	34
Tensioning the saw chain	22	Cleaning the air filter	35
Checking the chain tension	22	Replacing the spark plug.....	36
Retensioning the saw chain	22	Checking the ignition spark	36
Only for models with quick tensioner on sprocket guard (EA3501S)		Checking the muffler screws	36
Mounting the guide bar and saw chain.....	23	Replacing the starter cable/ Replacing the return spring pack/Replacing the starter spring	37
Tightening the saw chain.....	24	Cleaning the air filter compartment/fan compartment	38
Checking the chain tension	25	Cleaning the cylinder fins	38
Retensioning the saw chain	25	Replacing the suction head.....	38
For all models		Replacing/cleaning the spark arrester screen	38
Chain brake	25	Instructions for periodic maintenance.....	39
Fuel	26	Service, spare parts and guarantee	40
Chain oil	26	Trouble shooting.....	41
Refuelling	27	Extract from the spare parts list	42

The EA3500S and EA3501S will be delivered in a protective cardboard box to prevent transport damage. Cardboard is a basic raw material and is consequently reuseable or suitable for recycling (waste paper recycling).



Delivery inventory



1. Chain saw
2. Guide bar
3. Saw chain
4. Chain protection cover
5. Universal wrench
6. Screwdriver for carburetor adjustment
7. Operator's and Safety Manual (not shown)

In case one of the parts listed should not be included in the delivery inventory, please consult your sales agent.
NOTE: Guide bar, saw chain and chain protection cover may not be included as standard accessories in some countries.

Symbols

You will notice the following symbols on the saw and in the Operator's and Safety Manual:

	Read Operator's and Safety Manual and follow the warning and safety precautions!		Caution, kickback!
	Particular care and caution!		Chain brake
	Forbidden!		Fuel and oil mixture
	Wear protective helmet, eye and ear protection!		Carburetor adjustment
	Wear protective gloves!		Chain oil fill/oil pump
	No smoking!		Saw chain oil adjustment screw
	No open fire!		First aid
	Stop engine!		Do not touch hot surfaces!
	Start engine		Recycling
	Combination switch, Choke ON/STOP		
	Safety position		

Further symbols see page 5.

Safety precautions for chain saw operators

While operating the chain saw please observe the following rules:

- a) Contact of the guide bar nose with any object should be avoided.
- b) Tip contact may cause the guide bar to move suddenly upward and backward, which may cause serious or fatal injury.

WARNING!

Read and follow all safety precautions in the operator's manual. Failure to follow instructions could result in serious injury. It is recommended to lend the chain saw only to people who are experienced in working with chain saws. Always hand over the Operator's and Safety Manual.

WARNING!

This chain saw is capable of severe kickback that could result in serious injury to the operator. Do not operate this chain saw unless you have extraordinary cutting needs and experience in and special training for dealing with kickback.

Chain saws with significantly reduced kickback potential are available.

Kickback safety precautions

WARNING!

Kickback may occur when the nose or tip of the guide bar touches an object, or when the wood closes in and pinches the saw chain in the cut. Tip contact in some cases may cause a lightning-fast reverse reaction, kicking the guide bar up and back toward the operator. Pinching the saw chain along the top of the guide bar may push the guide bar rapidly back toward the operator. Either of these reactions may cause you to lose control of the saw, which could result in serious personal injury. Do not rely exclusively upon the safety devices built into your saw. As a chain saw user, you should take several steps to keep your cutting jobs free from accident or injury.

- a) With a basic understanding of kickback, you can reduce or eliminate the element of surprise. Sudden surprise contributes to accidents.
- b) Keep a good firm grip on the saw with both hands, the right hand on the rear handle and the left hand on the front handle, when the engine is running. Use a firm grip with thumbs and fingers encircling the chain saw handles. A firm grip will help reduce kickback and maintain control of the saw. Don't let go.
- c) Make sure that the area in which you are cutting is free from obstructions. Do not let the nose of the guide bar contact a log, branch, or any other obstruction that could be hit while you are operating the saw.
- d) Cut at high engine speeds.
- e) Do not overreach or cut above shoulder height.
- f) Follow the manufacturer's sharpening and maintenance instructions for the saw chain.
- g) Only use replacement bars and chains specified by the manufacturer or the equivalent.

Additional safety precautions

The following additional safety precautions must be observed by all users of chain saws:

- A chain saw is intended for two-handed use. Do not operate a chain saw with one hand! Serious injury to the operator, helpers, bystanders may result from one-handed operation.
- When a chain saw is being used, a fire extinguisher should be available.

- Follow the instructions in your operator's manual for starting the chain saw and control the chain saw with a firm grip on both handles when it is in operation. Keep handles dry, clean, and free of oil or fuel mixture.
- Do not operate a chain saw when you are fatigued. Fatigue causes carelessness. Be more cautious before rest periods and towards the end of your shift.
- Personal protective clothing required by your safety organizations, government regulations, or your employer should be used. At all times when using a chain saw, snug-fitting clothing, protective eyewear, safety footwear, and hand, leg, head and hearing protection should be worn.
Note: Personal protective clothing should meet the requirements of applicable CSA and BNQ Standards.
- Use caution when handling fuel. Before fuelling, servicing, or transporting your chain saw, switch off the engine. To help prevent fire, restart your chain saw at least 3 m (10 ft) from the fuelling area.
- Keep other persons or animals a safe distance away from a running chain saw or the area where a tree is being felled.
- Always keep proper footing and operate the chain saw only when standing on a fixed, secure, and level surface, and a planned retreat path from the falling tree.
- Keep all parts of your body away from the saw chain when the engine is running.
- Before you start the engine, make sure that the saw chain is not contacting anything.
- Carry the chain saw by the front handle with the engine stopped, the guide bar and saw chain to the rear, and the muffler away from your body.
- When transporting, storing or not in use, always use the appropriate guide bar cover. It must fit and fully cover the guide bar on the chain saw.
- Never operate a chain saw that is damaged or improperly adjusted or that is not completely and securely assembled. Be sure that the saw chain stops moving when the power control system trigger is released. Never adjust the guide bar or saw chain when the engine is operating.
- Shut off the engine before setting the chain saw down.
- Use extreme caution when cutting small-size brush and saplings because slender material may catch the saw chain and be whipped toward you or pull you off balance.
- When cutting a limb that is under tension, be alert for spring back so that you will not be struck when the tension in the wood fibers is released.
- When felling, keep at least two tree lengths away from other persons or animals.
- Beware of carbon monoxide poisoning. Operate the chain saw in well-ventilated areas only.
- Allow your chain saw to cool before refuelling, and do not smoke.
- Do not attempt a pruning or limbing operation in a standing tree unless specifically trained to do so.
- All chain saw service, other than the items listed in the operator's manuals maintenance instructions, should be performed by competent chain saw service personnel. (For example, if improper tools are used to remove the flywheel or if an improper tool is used to hold the flywheel in order to remove the clutch, structural damage to the flywheel could occur and subsequently could cause the flywheel to burst.)
- This gas-powered saw is classified by CSA as a Class 1A saw. It is a professional chain saw, intended for use by trained workers, where the operator is expected to use the chain saw for extended periods of time on a daily basis.
- Hold the chain saw by the insulated gripping surface only, because the saw chain may contact hidden electrical wiring.

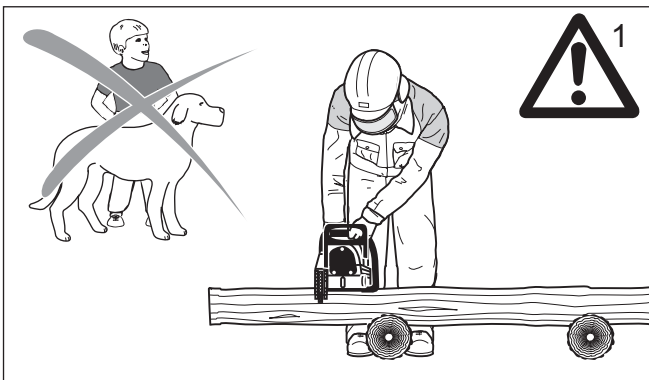
General Safety Precautions

The use of any chain saw may be hazardous. At full throttle chain speed can reach 45 mph (20 m/s). It is important that you read; fully understand and observe the following safety precautions and warnings. Read the Operator's Manual and the safety instructions periodically.

WARNING !

Reactive forces, including kickback, can be dangerous. Careless or improper use of any chain saw may cause serious or fatal injury.

Have your MAKITA dealer show you how to operate your chain saw. Observe all applicable local safety regulations, standards and ordinances.



WARNING!

Minors should never be allowed to use a chain saw.

Bystanders, especially children and animals should not be allowed in the area where a chain saw is in use (fig. 1).

Never let the saw run unattended.

Store it in a locked place away from children. Empty the fuel and oil tank (see storing the saw).

Do not lend your chain saw without this Operator's and Safety Manual. Be sure that anyone using your saw understands the information given.

Proper use of a chain saw involves

1. the operator
2. the saw
3. the use of the saw.

Description of symbols used on chain saws:



CSA Standards Z62.1-15
Class 1A Z62.3-11

ANSI Standard B175.1-2012



Maximum Computed Kickback Angle (CKA)* without using the chain brake when using the recommended bar and chain combinations (In this example the CKA is 45°).



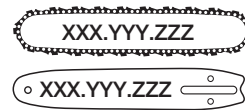
Maximum Computed Kickback Angle (CKA)* with using the chain brake when using the recommended bar and chain combinations (In this example the CKA is 40°).



Contact of the guide bar tip with any object should be avoided! Tip contact may cause the guide bar to move suddenly upward and backward, which may cause serious injury!



Always use two hands when operating the chain saw!



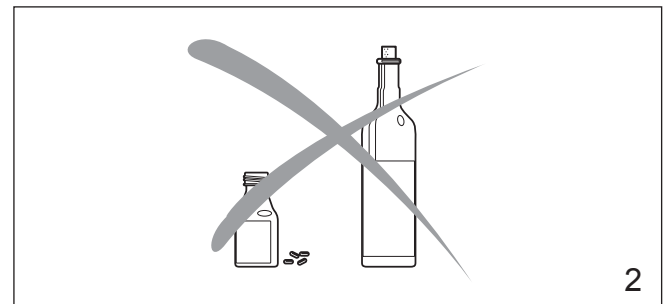
Reduced Kickback Bar and Chain combination that has been evaluated with the power head to achieve kickback protection (according to ANSI and CSA standards).

* The Computed Kickback Angle is a calculated value from energies measured on a test bench. It is not the angle of the guide bar moved upward in case of a KICKBACK.

The operator

Physical Condition

You must be in good physical condition and mental health and not under the influence of any substance (drugs, alcohol), which might impair vision, dexterity or judgment.



WARNING !

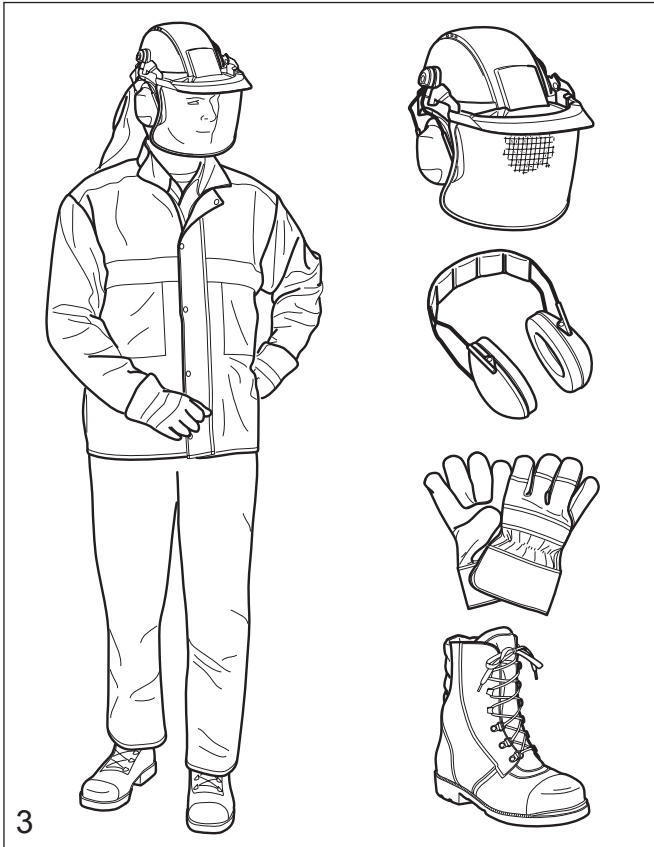
Prolonged use of chain saws exposing the operator to vibrations may produce Whitefinger disease (Raynaud's phenomenon). This phenomenon reduces the hand's ability to feel and regulate temperature, produces numbness and burning sensations and may cause nerve and circulation damage and tissue necrosis.

All MAKITA saws are therefore provided with an antivibration system which is essential for those using chain saws on a regular or sustained basis. Antivibration systems do not guarantee that you will not sustain Whitefinger disease, however, they reduce this danger considerably. Nevertheless, continual and regular users should observe their hands and fingers and in case of any abnormal symptoms, seek medical advice immediately.

Proper clothing

Clothing must be sturdy and snug-fitting, but allow complete freedom of movement. Avoid loose-fitting jackets, scarfs, neckties, jewelry, flared or cuffed pants, or anything that could become entangled with the saw or brush. Wear overalls or jeans with a reinforced cutting resistant insert (fig. 3).

Protect your hands with gloves when handling saw and saw chain. Heavy-duty, nonslip gloves improve your grip and protect your hands.



Good footing is most important in chain saw work. Wear sturdy boots with nonslip soles. Steel-toed safety boots are recommended.

Proper eye protection is a must. Non-fogging, vented goggles and a face screen is recommended. Their use reduces the risk of eye and facial injury.

Wear an approved safety hard hat to protect your head. Chain saw noise may damage your hearing. Always wear noise protection equipment (ear plugs or ear muffs) to protect your hearing.

Continual and regular users should have their hearing checked regularly.

Sawing dry wood can create dust. Use a suitable dust mask.



The saw

Parts of the chain saw: illustrations and description of parts see page 16.

WARNING !

Never modify a chain saw in any way. Only attachments supplied by MAKITA or expressly approved by MAKITA for use with the specific saw are authorized.

WARNING !

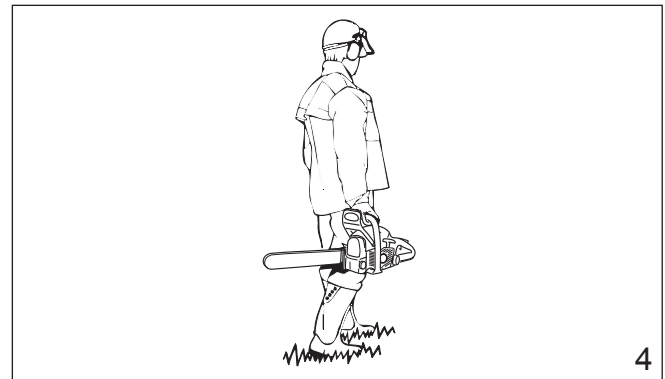
Bow guide bars substantially increase the potential for kickback and severe or fatal injury due to the greater kickback zone of the bow design. Bow guide bars are **not recommended** for use on MAKITA chain saws nor are they approved by the ANSI B175.1-2012 chain saw safety standard.

The use of the saw

Transporting the chain saw

WARNING!

Always stop the engine before putting a chain saw down or carrying it. Carrying a chain saw with the engine running is extremely dangerous. Accidental acceleration of the engine can cause the chain to rotate. Avoid touching the hot muffler.



By hand: When carrying your saw by hand, the engine must be stopped and the saw must be in the proper position.

The chain protection cover should be over the chain and the guide bar must point backwards. When carrying your saw the bar should be behind you (fig. 4).

By vehicle: When transporting in a vehicle, keep chain and bar covered with the chain guard. Properly secure your saw to prevent turnover, fuel spillage and damage to the saw. Make sure the saw is not exposed to heat or sparks.

Chain saw operating instructions

For assembly follow the procedure in the appropriate section "Mounting Guide Bar and Chain" of this manual. MAKITA chain, guide bar and sprocket must match each other (see the appropriate section in this manual).

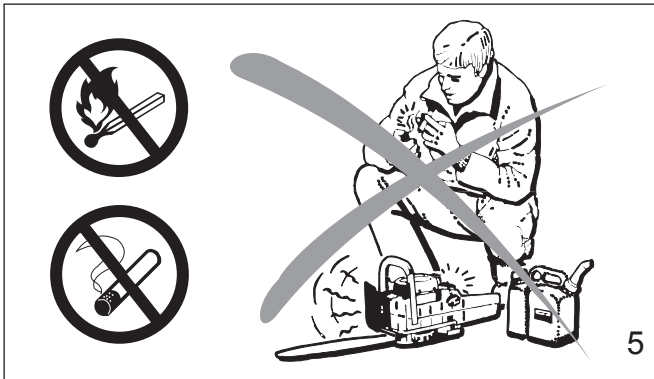
WARNING!

Proper tension of the chain is extremely important. In order to avoid false setting the tensioning procedure must be followed as described in this manual. Always make sure the hexagonal nut(s) for the sprocket guard is (are) tightened securely after tensioning the chain.

Check chain tension once more after having tightened the nuts and thereafter at regular intervals (always before starting to work). If the chain becomes loose while cutting, shut off the engine and then tighten. Never try to tighten the chain while the engine is running!

Fueling

Your MAKITA saw uses on oil-gasoline mixture for fuel (see chapter "Fuel" of this manual).



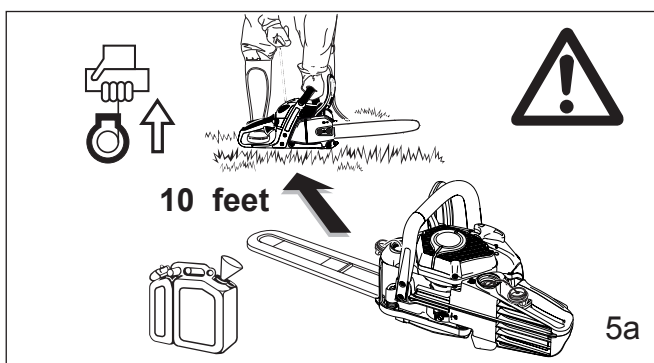
WARNING!

Gasoline is an extremely flammable fuel. Use extreme caution when handling gasoline or fuel mix. Do not smoke or bring any sparks or flame near the fuel (fig. 5).



Fueling instructions

Fuel your chain saw in well ventilated areas or outdoors. Always shut off the engine and allow it to cool before refueling. Select bare ground for fueling and move the chain saw at least 10 feet (3 m) from fueling spot before starting the engine (fig. 5a).



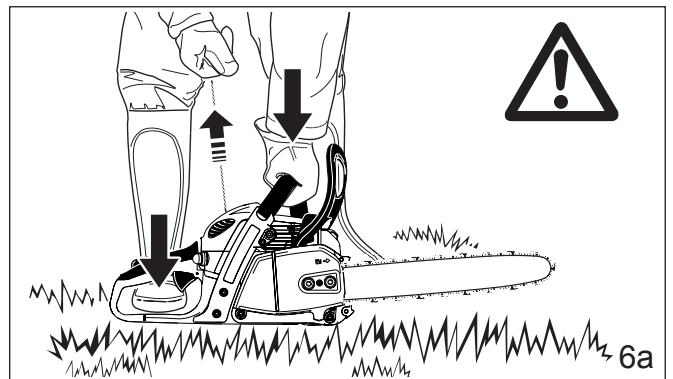
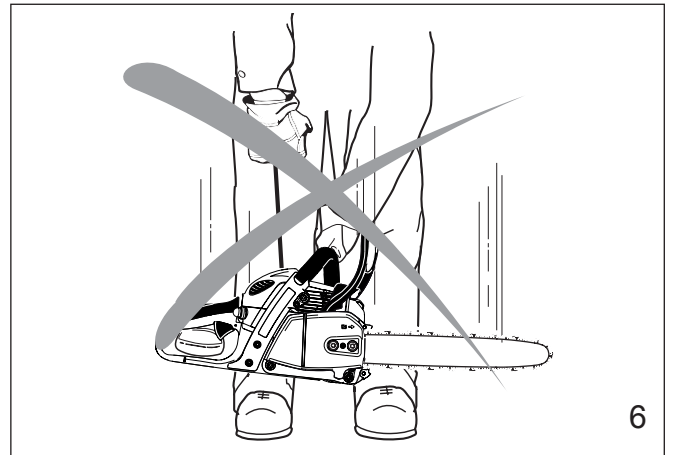
Wipe off any spilled fuel before starting your saw and check for leakage.

Check for fuel leakage while refueling and during operation. If fuel or oil leakage is found, do not start or run the engine until leak is fixed and spilled fuel has been wiped away. Clothing with fuel on it has to be changed immediately (this is a danger to your life!).

Avoid skin contact with fuel. Never loosen or remove the cap of the fuel tank while the engine is running.

Starting

Do not drop start. This method is very dangerous because you may lose control of the saw (fig. 6).



Place the chain saw on firm ground or other solid surface in an open area. Maintain a good balance and secure footing. Place your right foot through the rear handle opening and firmly grasp the front handle with your left hand (fig. 6a).

Be absolutely sure that guide bar and chain are clear of you or all other obstructions and objects, including the ground, because when the engine starts in semi-throttle position, engine speed will be fast enough for the clutch to engage the sprocket and turn the chain which may cause a kickback.

Never attempt to start the saw when the guide bar is in a cut or kerf.

When you pull the starter grip, don't wrap the starter rope around your hands. Do not allow the grip to snap back, but guide the starter rope slowly back to permit the rope to rewind properly.

Failure to follow this procedure may result in injury to hand or fingers and may damage the starter mechanism.

Important adjustments

WARNING!

At correct idle speed, chain should not turn. For directions to adjust idle speed, see the appropriate section of this operator's manual.

Do not use a saw with incorrect idle speed adjustment. Adjust the idle speed yourself according to the appropriate section of this manual.

Have your MAKITA dealer check your saw and make proper adjustments or repairs.

Check the saw chain tension frequently, especially just after installing a new chain. New chains may stretch more during their initial use. A properly adjusted saw chain can be pulled freely around the guide bar by hand without sagging. Always stop the engine and wear gloves when checking or adjusting the chain tension.

Working conditions

Operate your chain saw only outdoors. Operate the saw under good visibility and daylight conditions only.

WARNING!

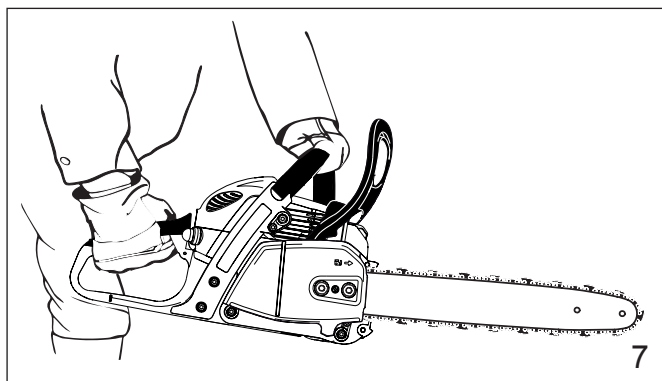
Take extreme care in wet and freezing weather (rain, snow, ice). Put off the work when the weather is windy, stormy or rainfall is heavy. Clear the area where you are working.

WARNING!

Avoid stumbling on obstacles such as stumps, roots or rocks and watch out for holes or ditches. Be extremely cautious when working on slopes or uneven ground. There is increased danger of slipping on freshly debarked logs.

Cutting instructions

Always hold the saw firmly with both hands when the engine is running. Place your left hand on the tubular handle and your right hand on grip and throttle lever. Left-handers should follow these instructions too.



Wrap your fingers tightly around the handles, keeping the handles cradled between your thumb and forefinger (fig. 7). With your hands in this position, you can best oppose and absorb the push, pull and kickback forces of your saw without having it slip out of your grip (see section of reactive forces).

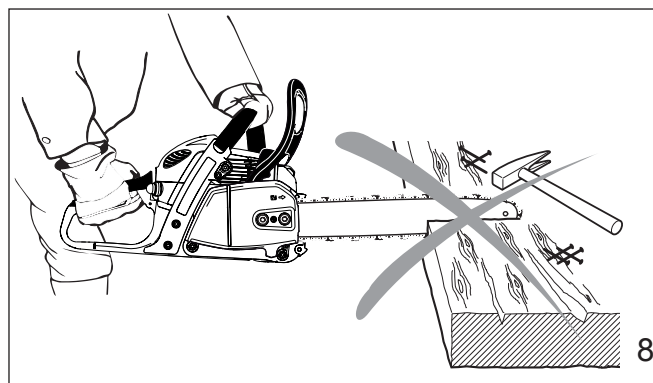
Make sure your chain saw handle and grip are in good condition and free of moisture, pitch, oil or grease.

Always start a cut with the chain running at full speed and the spike bar in contact with the wood.

When starting a cut, the blade can slip to the side or jump slightly. This depends on the wood and the condition of the chain. **Therefore, always hold the chain saw with both hands.**

WARNING!

Never use the saw with one hand. You cannot control reactive forces (see pages 9 to 11) and may lose control of the saw.



WARNING!

Do not operate your chain saw in semi-throttle position. Cutting in this position does not permit the operator proper control of the saw or chain speed.

WARNING!

Never come too close to a rotating chain with your hands or body.

WARNING!

Cut wood only. Do not use the chain saw for purposes not intended. For example: do not use the chain saw for cutting plastic, masonry, or non-wood building materials.

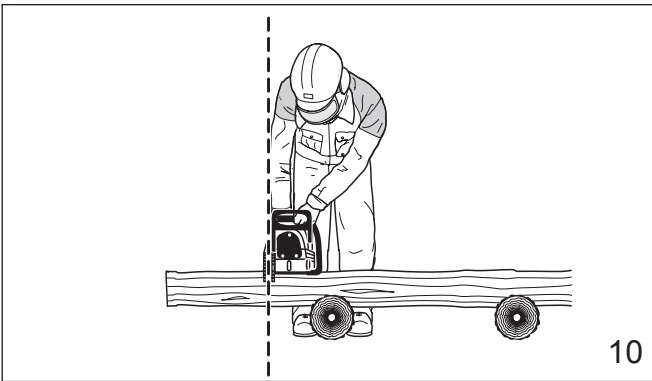
Use your chain saw for cutting only. It is not designed for prying or shoveling away limbs, roots or other objects.

When sawing, make sure that the saw chain does not touch any foreign materials such as rocks, nails and the like (fig. 8). Such objects may be flung off, damage the saw chain or cause the saw to kickback.

If the chain saw is exposed to force, such as through impact or falling, inspect the entire chain saw for proper functioning.



In order to keep control of your saw, always maintain a firm foothold. Never work on a ladder, in a tree or on any other insecure support. Never use the saw above shoulder height (fig. 9).



Position the chain saw in such a way that your body is clear of the cutting attachment whenever the engine is running (fig. 10).

Don't put pressure on the saw when reaching the end of a cut. The pressure may cause the bar and rotating chain to pop out of the cut or kerf, go out of control and strike the operator or some other object. If the rotating chain strikes some other object a reactive force (see pages 10 to 12) may cause the chain to strike the operator.

Reactive forces during the cut, including kickback

WARNING!

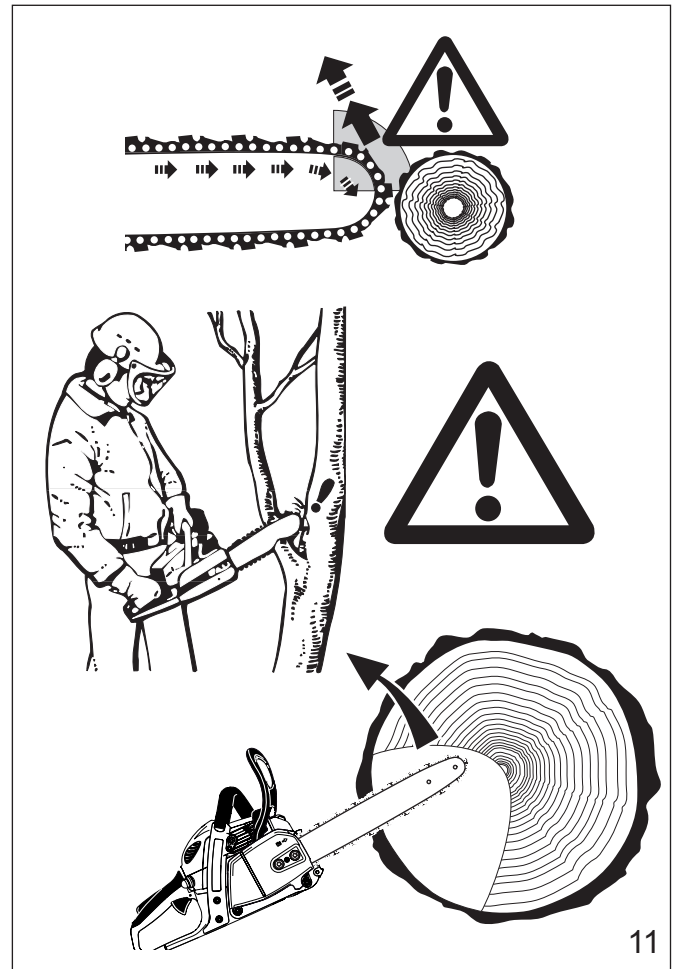
Reactive forces, that may occur during any cut are kickback, pushback and pull-in. Reactive forces can be dangerous! In any chain saw, the powerful force used to cut wood can be reversed (and work against the operator).

If the rotating chain is suddenly stopped by contact with any solid object like a log or branch or is pinched, the reactive forces instantly occur.

These reactive forces may result in loss of control which may, in turn, cause serious or fatal injury. An understanding of the causes of these reactive forces may help you avoid loss of control.

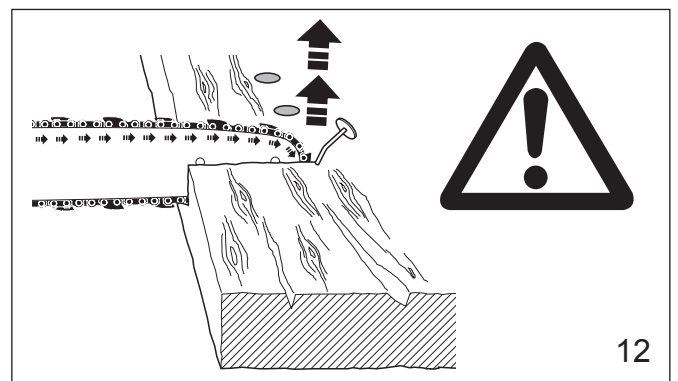
The most common reactive forces are

- kickback,
- pushback,
- pull-in.



Kickback:

Kickback occurs when the upper quadrant of the bar nose contacts a solid object in the wood or is pinched (fig. 11). The reaction of the cutting force of the chain causes a rotational force of the chain saw in the direction opposite to the chain movement, mainly in the plane of the bar. This may fling the bar in an uncontrolled arc towards the operator.



This reaction can occur in a fraction of a second and under some circumstances, cause the guide bar and chain to strike the operator with enough force to cause severe or fatal injury. It may also occur during limbing.

It also occurs when the nose of the guide bar is pinched unexpectedly, unintentionally contacts solid material in the wood (fig.12) or is incorrectly used to begin a plunge or boring cut.

The greater the force of the kickback reaction, the more difficult it becomes for the operator to control the saw.

Many factors influence the occurrence and force of the kickback reaction. The type of bar and saw chain you use is a factor in the force of the kickback reaction.

The speed of contact at which the cutter contacts the object.

Kickback force increases with the rate of impact.

The contact angle between the nose of the bar and the foreign object (fig. 11).

Kickback is most pronounced in the upper quadrant of the bar nose.

MAKITA chain types are designed to reduce kickback forces.

The depth gauges:

Improper lowering of the depth gauges also increases the risk of a kickback.

Saw chain cutter sharpness:

WARNING!

A dull improperly sharpened chain may increase the risk of kickback. Always cut with a properly sharpened chain.

Devices for reducing the risk of kickback injury

MAKITA have developed a special chain brake to reduce the risk of kickbacks.

This chain brake increases the safety factor on the job, e.g. when the saw suddenly bucks upwards the chain stops rotating within a fraction of a second.

A deflection guard on the disengaging lever of the chain brake and a scoop rear handle ensure that the operator's hands are fully protected at all times.

Kickback tendency increases as the radius or size of the guide bar nose increases. MAKITA have developed guide bars with small nose radius, to reduce the kickback tendency.

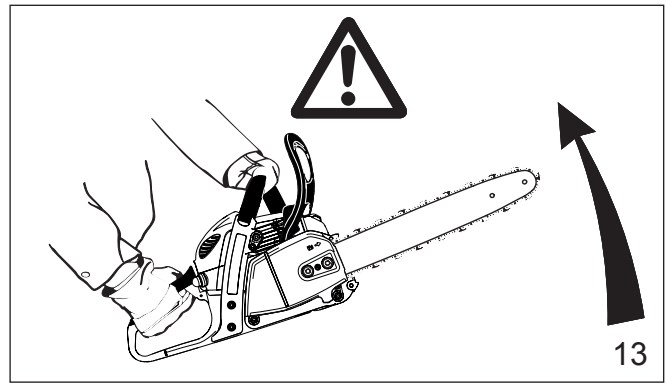
WARNING!

No chain brake prevents kickback.

These brakes are designed only to stop the chain, if activated.

To ensure a proper operation of the chain brake, it must be properly maintained.

Furthermore, there must be a sufficient distance between the operator and the bar to ensure that the chain brake has sufficient time to activate and stop the chain before potential contact with the operator.



To avoid kickback

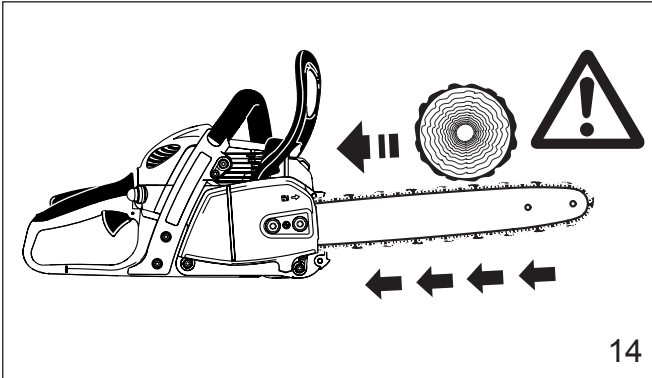
The best protection from personal-injury that may result from kickback is to avoid kickback situations:

1. Hold the chain saw firmly with both hands and maintain a secure grip.
2. Be aware of the location of the guide bar nose at all times.
3. Never bring the nose of the guide bar in contact with any object.
Do not cut limbs with the nose of the guide bar. Be especially careful with small, tough limbs, small size brush and saplings which may easily catch the chain.
4. Don't overreach.
5. Don't cut above shoulder height.
6. Begin cutting and continue at full throttle.
7. Cut only one log at a time.
8. Use extreme caution when re-entering a previous cut.
9. Do not attempt plunge cuts (see page 13) if you are not experienced with these cutting techniques.
10. Be alert for shifting of the log or other forces that may cause the cut to close and pinch the chain.
11. Maintain saw chain properly. Cut with a correctly sharpened, properly tensioned chain at all times.
12. Stand to the side of the cutting path of the chain saw.

Pushback:

Pushback occurs when the chain on the top of the bar is suddenly stopped when it is pinched, caught or encounters a foreign object in the wood.

The reaction of the chain drives the saw straight back toward the operator causing loss of saw control. Pushback frequently occurs when the top of the bar is used for cutting (fig. 14).



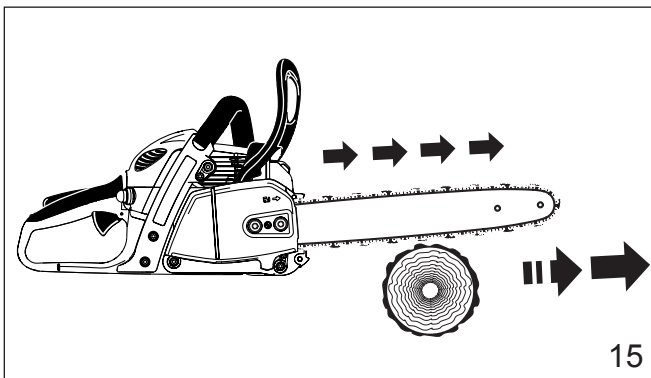
To avoid pushback

1. Be alert to forces or situations that may cause material to pinch the top of the chain.
2. Do not cut more than one log at a time.
3. Do not twist the saw when withdrawing the bar from a plunge cut or under buck cut (figures 25 to 27 and 33, pages 13 and 15), because the chain can pinch.

Pull-in:

Pull-in occurs when the chain on the bottom of the bar is suddenly stopped. The chain on the bottom of the bar stops when it is pinched, caught or encounters a foreign object in the wood (see fig. 15). The reaction of the chain pulls the saw forward, causing the operator to lose control.

Pull-in frequently occurs when the spike bar of the saw is not held securely against the tree or limb and when the chain is not rotating at full speed before it contacts the wood.



WARNING!

Use extreme caution when cutting small size brush and saplings which may easily catch the chain and pull you off balance.

To avoid pull-in

1. Always start a cut with the chain rotating at full speed and the spike bar in contact with the wood.
2. Pull-in may also be prevented by using plastic wedges to open the kerf or cut.

Cutting techniques

Felling

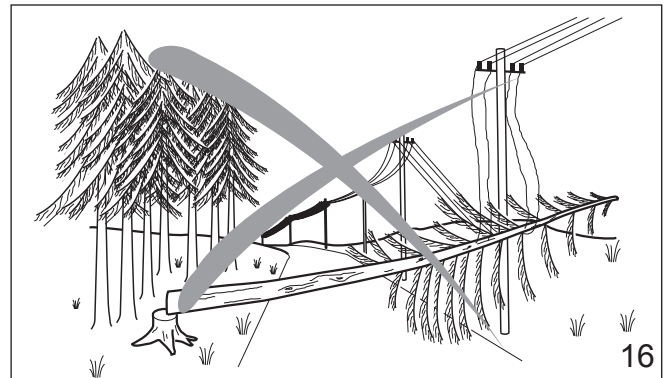
Felling is cutting down a tree.

Before felling a tree, consider carefully all conditions which may affect the direction of fall, including:

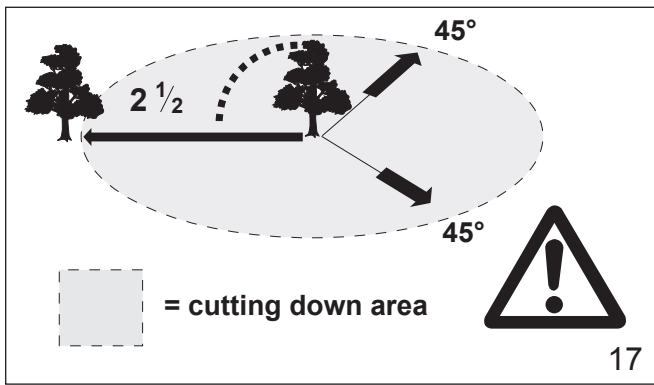
- The intended direction of the fall.
- The neutral lean of the tree.
- Any unusually heavy limb structure.
- Surrounding trees and obstacles.
- The wind direction and speed.

WARNING!

Always observe the general condition of the tree. Look for decay and rot in the trunk. If it is rotted inside, it could snap and fall toward the operator while being cut. Also look for broken or dead branches which could vibrate loose and fall on the operator. When felling on a slope, the operator should stand on the up-hill side.



When felling in the vicinity of roads, railways and power lines, etc., take extra precautions (see fig. 16). Inform the police, utility company or railway authority before beginning to cut.

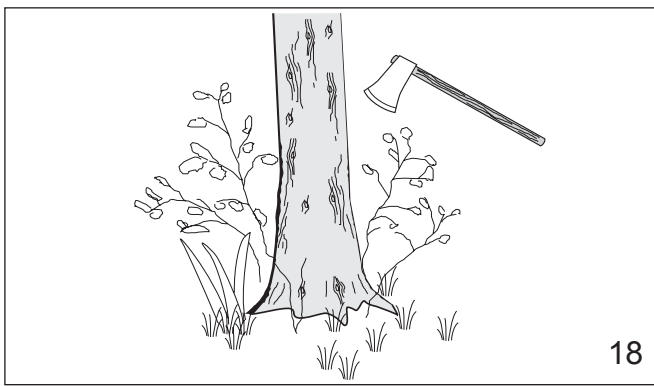


When felling, maintain a distance of at least 2 1/2 tree lengths from the nearest person (see fig. 17).

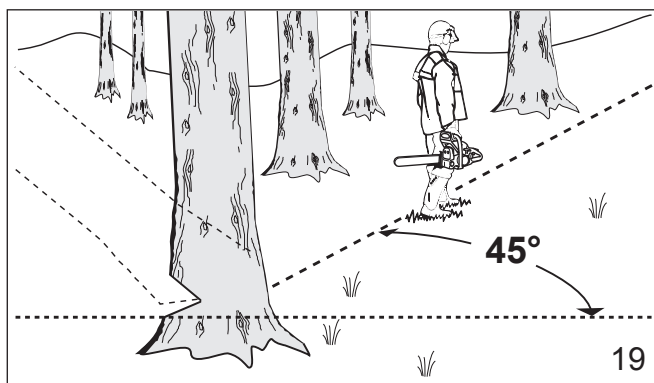
Note:

The noise of your engine may drown any warning call.

Felling instructions:



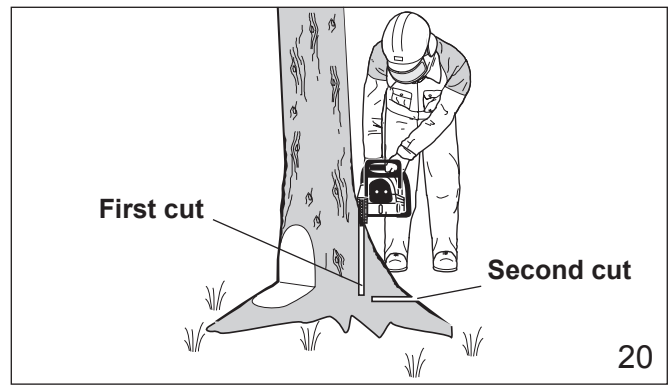
First clear the tree base and work area from interfering limbs and brush and clean its lower portion an axe (see fig. 18).



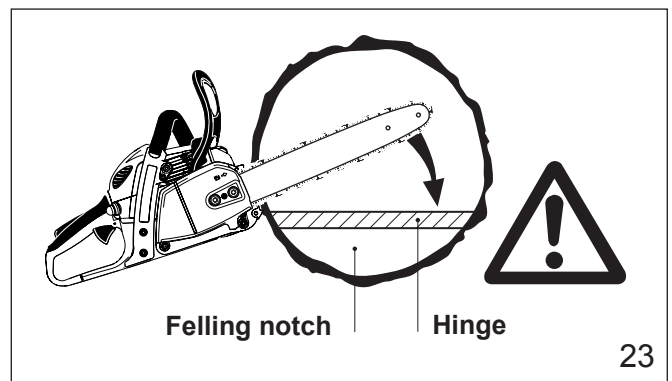
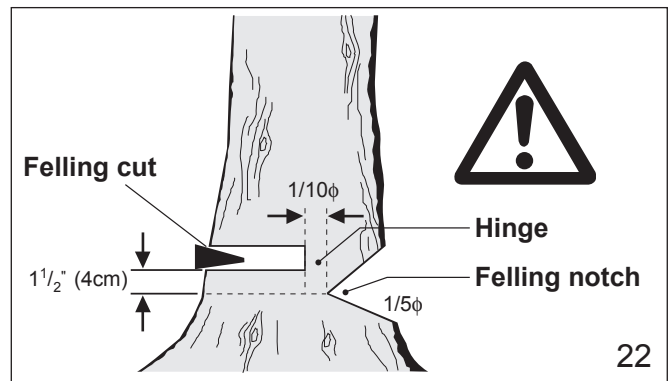
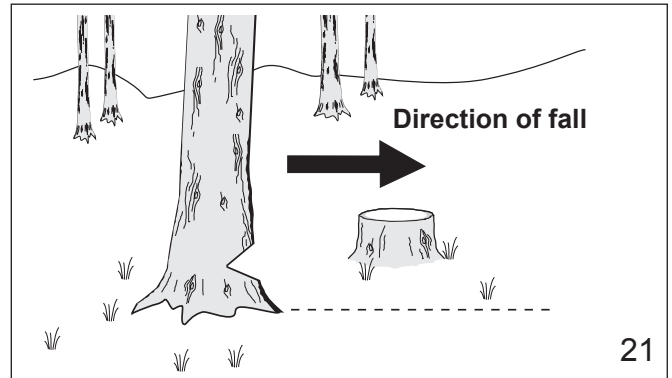
Plan your work, ensuring an obstacle-free work area and, in the case of felling, have at least one escape path from the falling tree prepared in advance.

Then, establish a path of escape and remove all obstacles. This path should be opposite to the planned direction of the fall of the tree and at a 45° angle (fig. 19).

An alternate path must also be selected. Place all tools and equipment a safe distance away from the tree, but not on the escape path.



If the tree has large buttress roots, cut into the largest buttresses vertically first (horizontally next) and remove (fig. 20).



Then, determine the placement of the felling notch (fig. 21). The felling notch when properly placed determines the direction in which the tree will fall. It is made perpendicular to the line of fall and should be as close to the ground as possible.

Cut the felling notch to a depth of about one-fifth to one-fourth of the trunk diameter (fig. 22). It should be in no case higher than it is deep. Make the felling notch very carefully.

Begin the felling cut slightly higher than the felling notch and on the opposite side of the tree (fig. 22). Then cut horizontally through towards the felling notch. Apply the chain saw with its spikes directly behind the uncut portion of wood and cut toward the notch (fig. 23).

Leave approximately 1/10 of the tree diameter uncut! This is the hinge (fig. 23). Do not cut through the hinge because you could lose control of the direction of the fall. Drive wedges into the felling cut where necessary to control the direction of the fall. Wedges should be of wood, light alloy or plastic - never of steel, which can cause kickback and damage to the chain.

Always keep to the side of the falling tree. When the tree starts to fall, shut off the engine, withdraw the bar and walk away on the pre-planned escape path. Watch out for falling limbs.

WARNING!

Be extremely careful with partially fallen trees which are poorly supported.

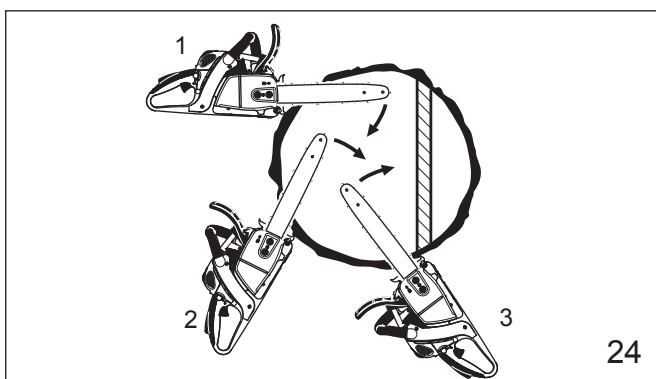
When the tree hangs or for some other reason does not fall completely, set the saw aside and pull the tree down with a cable winch, block and tackle or tractor. If you try to cut it down with your saw, you may be injured.

Sectioning Method

WARNING!

Felling a tree that has a diameter greater than the length of the guide bar requires use of either the sectioning or plunge-cut method. These methods are extremely dangerous because they involve the use of the nose of the guide bar and can result in kickback.

Only properly trained professionals should attempt these techniques.



For the sectioning method (fig. 24) make the first cut with the guide bar fanning in toward the hinge. Then, using the bumper spike as a pivot, reposition the saw for the next cut. Avoid repositioning the saw more than necessary.

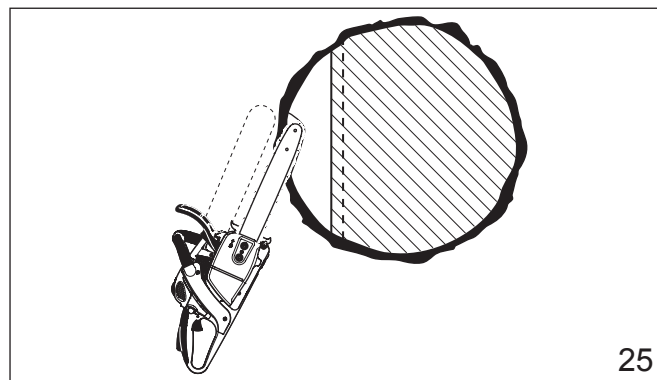
When repositioning for the next cut, keep the guide bar fully engaged in the kerf to keep the felling cut straight. If the saw begins to pinch, insert a wedge to open the cut. On the last cut, do not cut the hinge.

Plunge-Cut Method

Timber having a diameter more than twice the length of the guide bar requires the use of the plunge-cut method before making the felling cut.

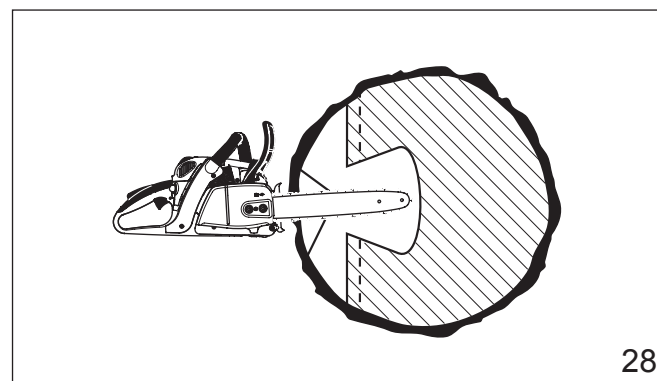
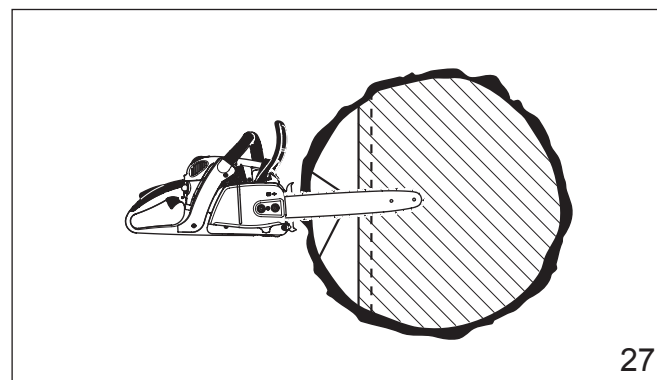
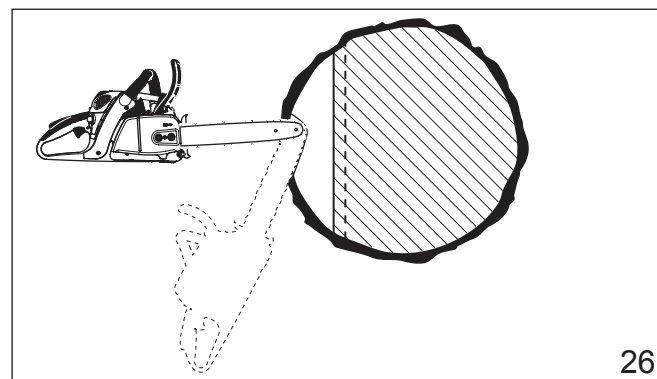
First, cut a large, wide notch. Make a plunge cut in the center of the notch.

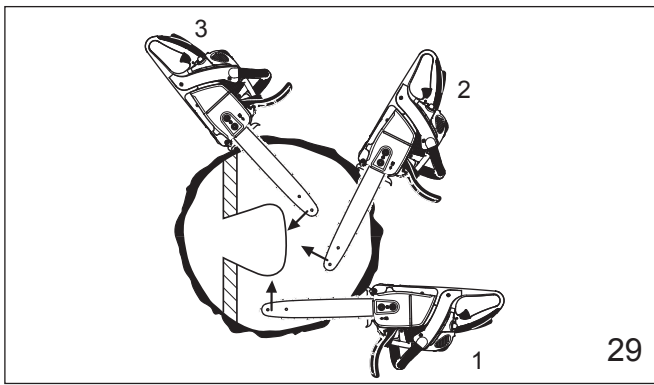
The plunge cut is made with the guide bar nose. Begin the plunge cut by applying the lower portion of the guide bar nose to the tree at an angle (fig. 25). Cut until depth of the kerf is about the same as the width of the



guide bar (fig. 26). Next, align the saw in the direction in which the recess is to be cut. With the saw at full throttle, insert the guide bar in the trunk (fig. 27).

Enlarge the plunge cut as shown in illustration (fig. 28).





29

WARNING!

There is an extreme danger of kickback at this point. Extra caution must be taken to maintain control of the saw. To make the felling cut, follow the sectioning method described previously (fig. 29).

If you are inexperienced with a chain saw plunge-cutting should not be attempted. Seek the help of a professional.

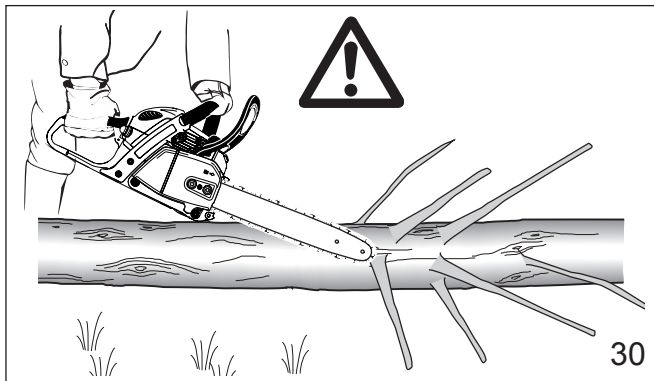
Limbing

Limbing is removing the branches from a fallen tree.

WARNING!

There is an extreme danger of kickback during the limbing operation. Do not work with the nose of the bar. Be extremely cautious and avoid contacting the log or other limbs with the nose of the guide bar.

Do not stand on a log while limbing it - you may slip or the log may roll.



30

Start limbing by leaving the lower limbs to support the log off the ground (fig. 30). Always cut from the top of the limb.

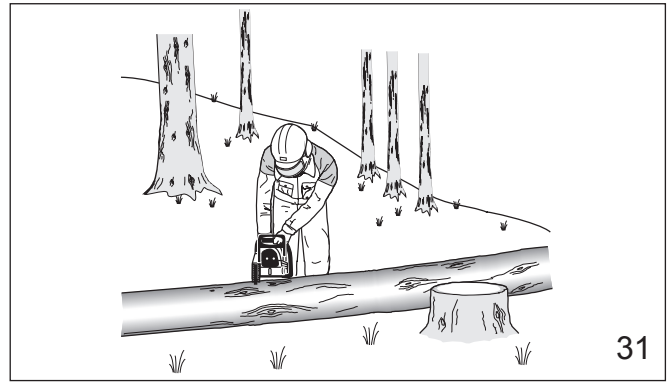
Do not underbuck freely hanging limbs. A pinch may result or the limb may fall, causing loss of control. If a pinch occurs, stop the engine and remove the saw, by lifting the limb.

WARNING!

Be extremely cautious when cutting limbs under tension. The limbs could spring back toward the operator and cause loss of control of the saw or injury to the operator.

Bucking

Bucking is cutting a log into sections.



31

WARNING!

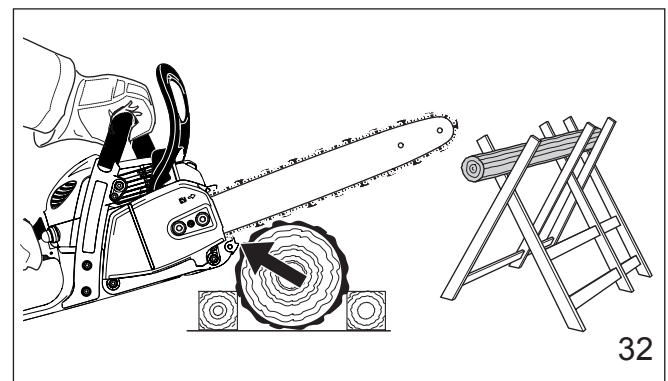
1. When bucking, do not stand on the log. Make sure the log will not roll down-hill. If on a slope, stand on the up-hill side of the log (see fig. 31). Watch out for rolling logs.

WARNING!

2. Cut only one log at a time.

WARNING!

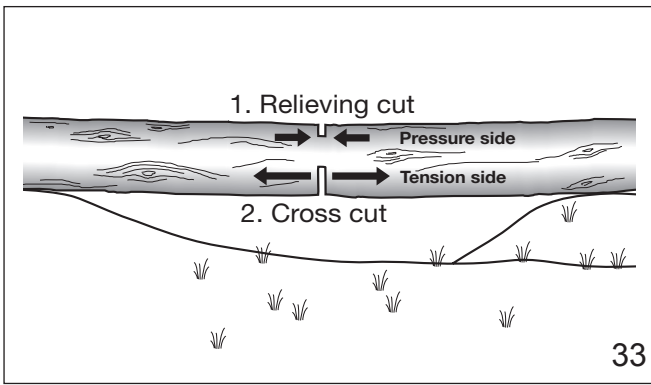
3. Shattered wood should be cut very carefully. Sharp splinters of wood may be caught and flung in the direction of the operator of the saw.



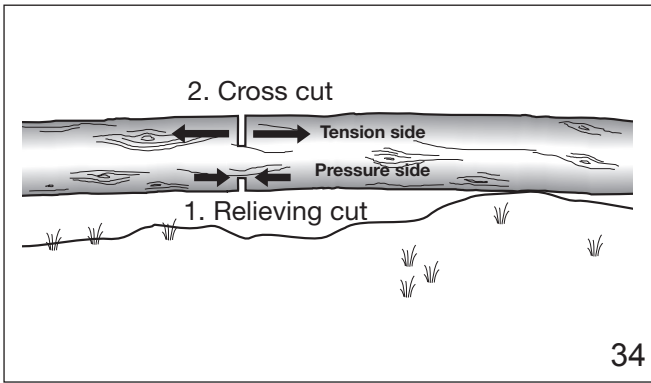
32

WARNING!

4. When cutting small logs, use a sawhorse (fig. 32). Never permit another person to hold the log. Never hold the log with your leg or foot. At the end of the cut the weight of the chain saw will cause it to swing through, since it is no longer held by the cut. Hold it firmly to control this.



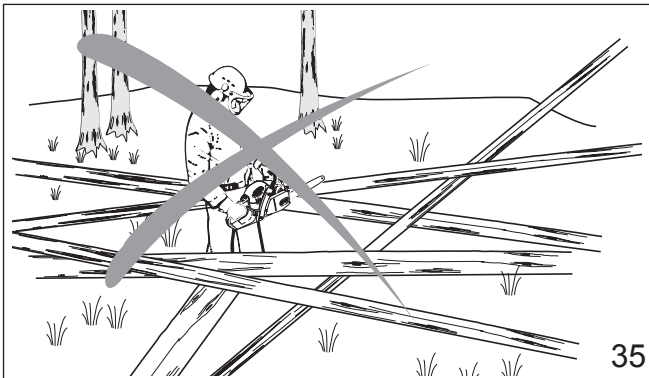
33



34

WARNING!

- Logs under strain require special attention to prevent the saw from pinching. The first cut is made on the compression side to relieve the stress on the log (see fig. 33, 34). The bucking cut is then made as shown. If the saw pinches, stop the engine and remove it from the log.



35

WARNING!

- Only properly trained professionals should work in an area where the logs, limbs and roots are tangled (i. e. a blowdown area, fig. 35). Working in blowdown areas is extremely hazardous.

WARNING!

- Drag the logs into a clear area before cutting. Pull out exposed and cleared logs first.

Maintenance and Repair

Never operate a chain saw that is damaged, improperly adjusted or not completely or securely assembled. Follow the maintenance and repair instructions in the appropriate section of this manual.

WARNING !

Always stop the engine and make sure that the chain is stopped before commencing any maintenance or repair work or cleaning the saw. Allow the chain saw to cool off before doing any maintenance work (burn hazard)!

When the chain saw is hot, do not cover it (with a tarp, blanket, newspaper or the like).

Let the chain saw cool down before putting it in a storage case or vehicle.

Chain saws with catalytic converter take longer to cool down!

Do not attempt any maintenance or repair work not described in this manual. Have such work performed by your MAKITA service shop only.

Maintaining and storing the saw

Keep the chain, bar and sprocket clean and lubricated; replace worn sprockets or chains.

Keep the chain sharp. You can spot a dull chain when easy-to-cut wood becomes hard to cut and burn marks appear on the wood.

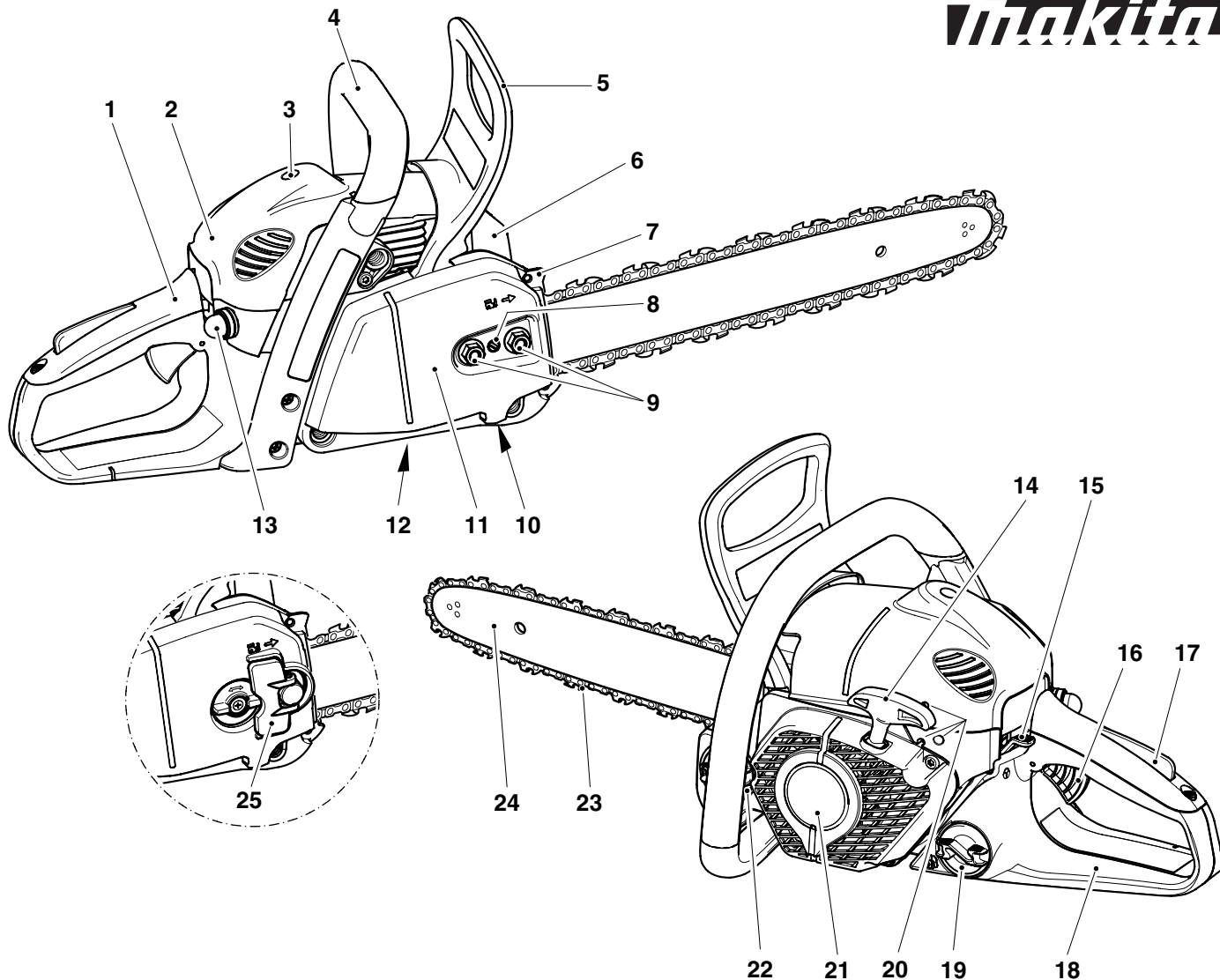
Keep the chain at proper tension. Tighten all nuts, bolts and screws except the carburetor adjustment screws after each use.

Keep spark plug and wire connection tight and clean.

Store saws in a high or locked place, away from children.

The chain protection cover should always be put on.

Denomination of components



- | | | | |
|----|--|----|--|
| 1 | Handle | 14 | Starter grip |
| 2 | Cover | 15 | Combination switch (Choke/ON/Stop) |
| 3 | Hood lock | 16 | Throttle lever |
| 4 | Tubular handle | 17 | Safety locking button |
| 5 | Hand guard (release for chain brake) | 18 | Rear hand guard |
| 6 | Muffler | 19 | Fuel tank cap |
| 7 | Spike bar | 20 | Adjusting screws for carburetor |
| 8 | Chain tensioning screw | 21 | Fan housing with starting assembly |
| 9 | Retaining nuts | 22 | Oil tank cap |
| 10 | Chain catch | 23 | Chain (Blade) |
| 11 | Sprocket guard | 24 | Guide bar |
| 12 | Adjusting screw for oil pump (bottom side) | 25 | Sprocket guard quick tensioner (EA3501S) |
| 13 | Fuel pump (Primer) | | |

Technical data

		EA3500S	EA3501S
Stroke volume	cu. in (cm) ³	2.1 (35)	
Bore	inch (mm)	1.50 (38)	
Stroke	inch (mm)	1.20 (30.6)	
Max. power at speed	kW / 1/min	2.3 / 10,000	
Max. torque at speed	N·m / 1/min	2.0 / 7,000	
Idling speed/max. engine speed with bar and chain	rpm	2,800 / 13,100	
Coupling speed	rpm	4,100	
Sound pressure level at the operator's ear according to ISO 22868	dB (A)	101.7	
Carburetor	Type	diaphragm carburator	
Ignition system	Type	electronic	
Spark plug	Type	NGK CMR6A	
or spark plug	Type	--	
Electrode gap	inch (mm)	.023 (0.6)	
Fuel consumption at max. load per ISO 7293	kg/h	0.68	
Specific consumption at max. load per ISO 7293	g/kWh	500	
Fuel tank capacity	floz	13.5	
Chain oil tank capacity	floz	9.5	
Mixture ratio (fuel/two-stroke oil)			
- when using MAKITA synthetic oil		50 : 1	
- when using other synthetic oils		50 : 1 (oil quality must be JASO FC or ISO EGD)	
Chain brake		engages manually or in case of kickback	
Sprocket pitch	inch	3/8	
Number of teeth	Z	6	
Weight (fuel tank empty, without chain, guide bar and accessories)	lbs	9.70	9.92

(For Canada)

NOTE: This spark ignition system complies with the Canadian standard ICES-002.

Saw chain and guide bar

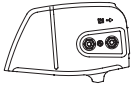
Saw chain type		492 (91PX)			290 (90SG), 291 (90PX)	
Pitch	inch	3/8"				
Gauge	inch (mm)	0.050" (1.3)			0.043" (1.1)	
Guide bar type		Sprocket nose bar				
Guide bar, length of a cut	inch (mm)	12" (300)	14" (350)	16" (400)	12" (300)	14" (350)
No. of drive links		46	52	56	46	52

⚠ WARNING: Use appropriate combination of the guide bar and saw chain. Otherwise personal injury may result.

WARNING:

This chain saw is capable of severe kickback that could result in serious injury to the user. Do not operate this chain saw unless you have extraordinary cutting needs and experience and specialized training for dealing with kickback. Chain saws with significantly reduced kickback potential are available.

PUTTING INTO OPERATION



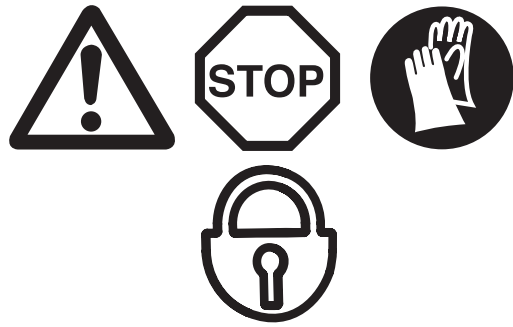
Only for models with fastening nuts on the sprocket guard (EA3500S)

CAUTION:

Before doing any work on the guide bar or chain, always switch off the engine and pull the plug cap off the spark plug (see "Replacing the spark plug"). Always wear protective gloves!

CAUTION:

Start the chain saw only after having assembled it completely and inspected.



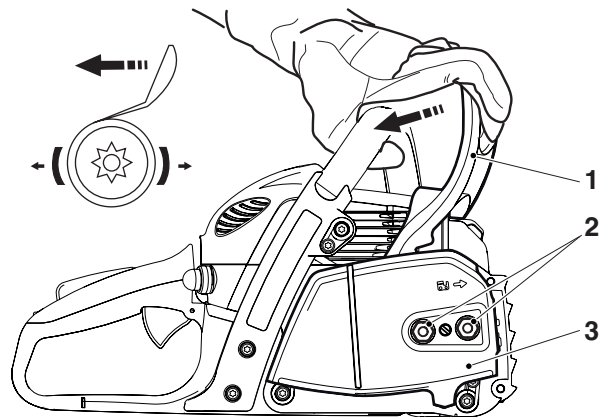
Mounting the guide bar and saw chain

Use the universal wrench delivered with the chain saw for the following work.

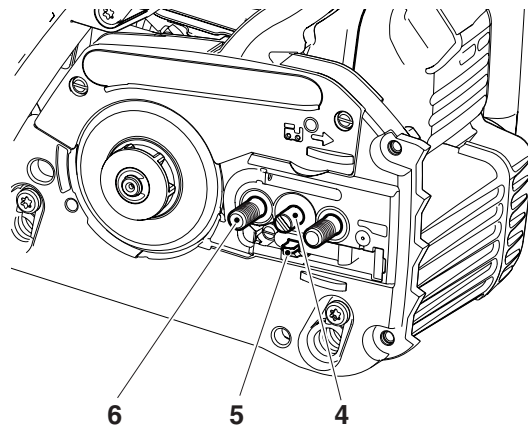
Put the chain saw on a stable surface and carry out the following steps for mounting the guide bar and saw chain:
Release the chain brake by pulling the hand guard (1) in direction of arrow.

Unscrew retaining nuts (2).

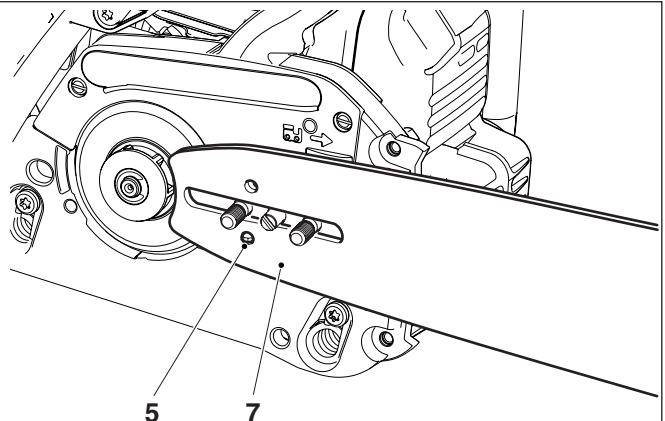
Pull off the sprocket guard (3).

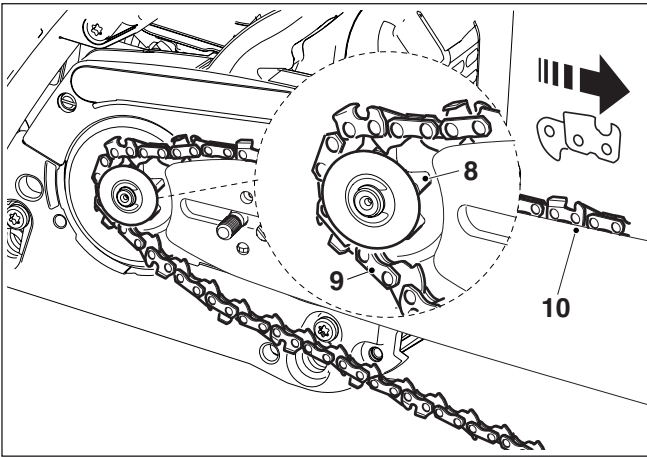


Turn chain tensioning screw (4) to the left (counter-clockwise) until the pin (5) of the chain tensioner is underneath the threaded pin (6).



Put on the guide bar (7). Make sure that the pin (5) of the chain tensioner engages in the hole in the guide bar.



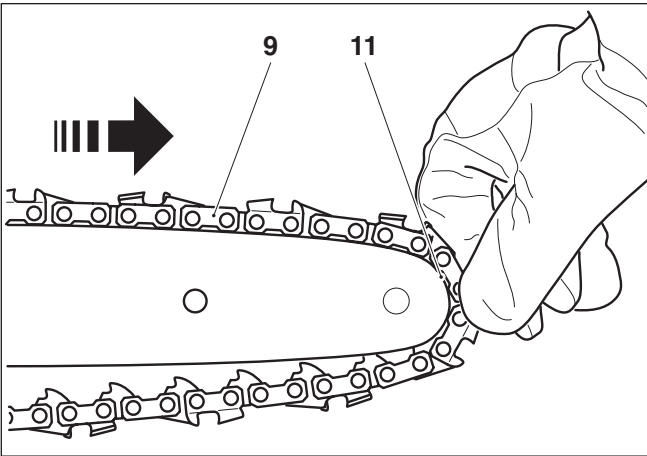


Lift the chain (9) over the sprocket (8).

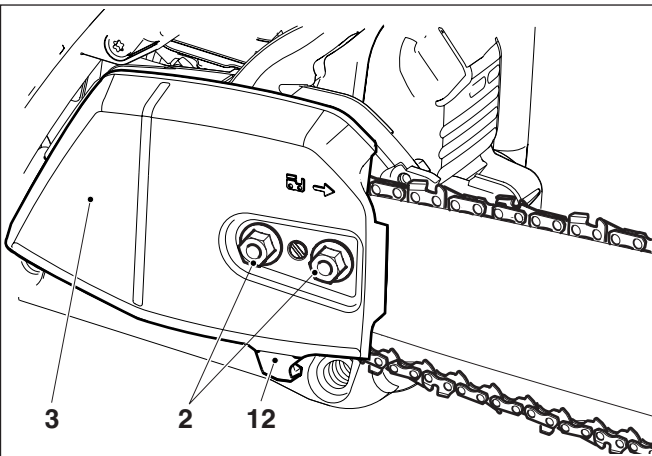
Guide the chain from above about halfway into the groove (10) on the guide bar.

CAUTION:

Note that the cutting edges along the top of the chain must point in the direction of the arrow!



Pull the chain (9) around the sprocket nose (11) of the guide bar in the direction of the arrow.



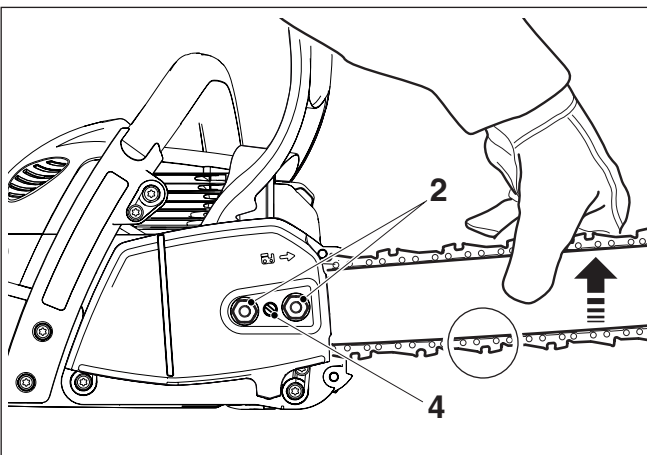
Replace the sprocket guard (3).



IMPORTANT:

Lift the saw chain over the chain catcher (12).

Tighten the nuts (2) only hand-tight to begin with.



Tightening the saw chain

Turn the chain tensioning screw (4) to the right (clockwise) until the saw chain catches in the groove on the lower side of the guide bar (see circle).

Slightly lift the end of the guide bar and turn the chain adjusting screw (4) to the right (clockwise) until the chain rests against the bottom side of the guide bar.

While still holding up the tip of the guide bar, tighten the retaining nuts (2) with the universal wrench.

Checking the chain tension

The tension of the chain is correct if the chain rests against the bottom side of the guide bar and can still be easily turned by hand.

While doing so the chain brake must be released.

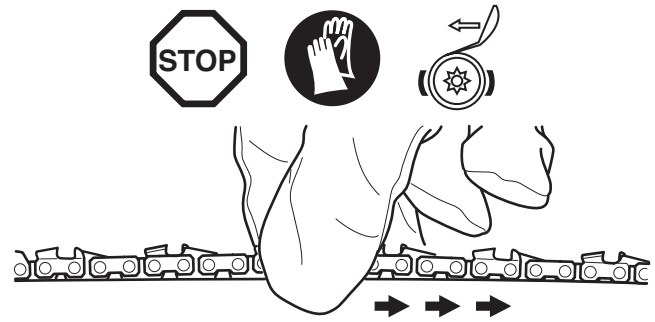
Check the chain tension frequently - new chains tend to get longer during use!

When checking the chain tension the engine must be switched off.

NOTE:

It is recommended to use 2-3 chains alternatively.

In order to guarantee uniform wear of the guide bar the bar should be turned over whenever replacing the chain.

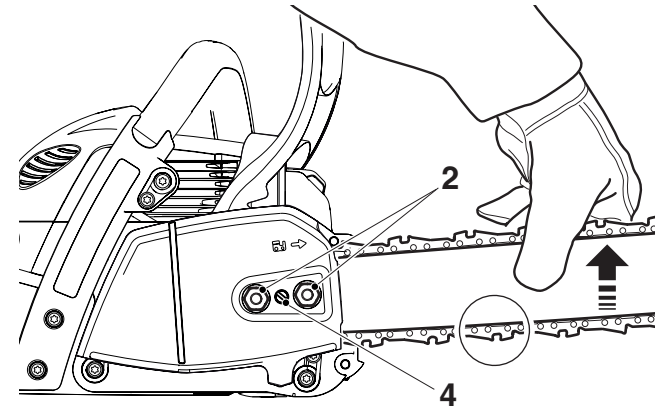


Retightening the saw chain

Loosen the nuts (2) about one turn with the universal wrench.

Raise the tip of the guide bar a little and turn the chain tensioning screw (4) to the right (clockwise) until the saw chain is again up against the bottom edge of the guide bar (see circle).

While keeping the tip of the guide bar raised, tighten the nuts (2) again with the universal wrench.





Only for the QuickSet guide bar

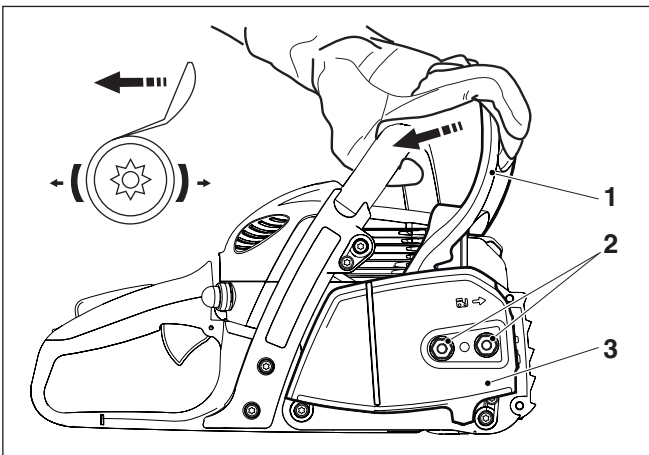
CAUTION:

Before doing any work on the guide bar or chain, always switch off the engine and pull the plug cap off the spark plug (see "Replacing the spark plug"). Always wear protective gloves!

CAUTION:

Start the chain saw only after having assembled it completely and inspected.

On QuickSet guide bars the chain is tensioned using a toothed rack in the bar. This simplifies retensioning of the chain. These models do not have a conventional chain tensioner. QuickSet guide bars are identified by this symbol:



Mounting the guide bar and saw chain

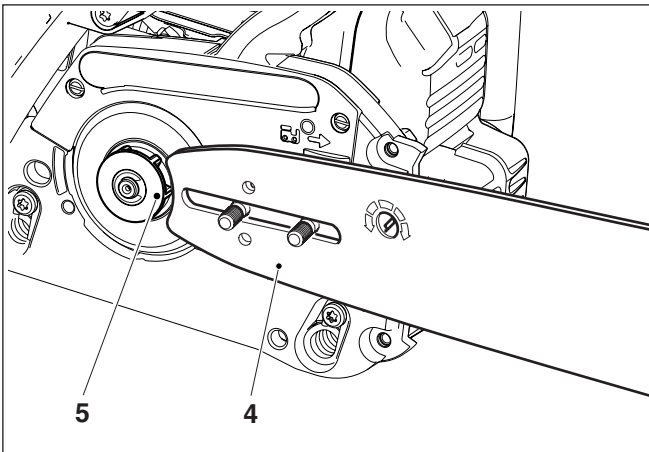
Use the universal wrench delivered with the chain saw for the following work.

Put the chain saw on a stable surface and carry out the following steps for mounting the guide bar and saw chain:

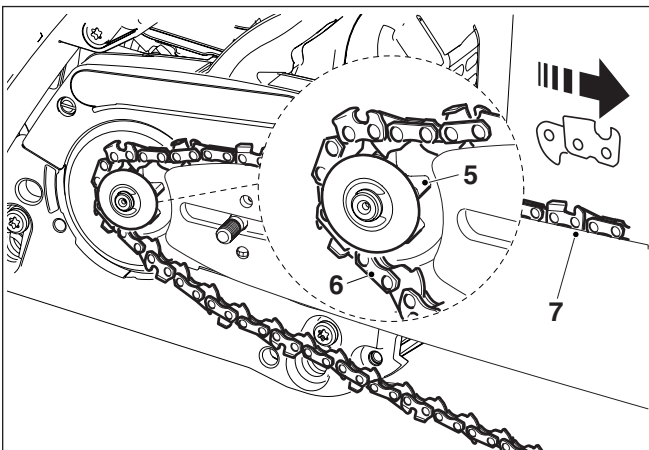
Release the chain brake by pulling the hand guard (1) in direction of arrow.

Unscrew retaining nuts (2).

Pull off the sprocket guard (3).



Put the guide bar (4) on and push it against the sprocket (5).



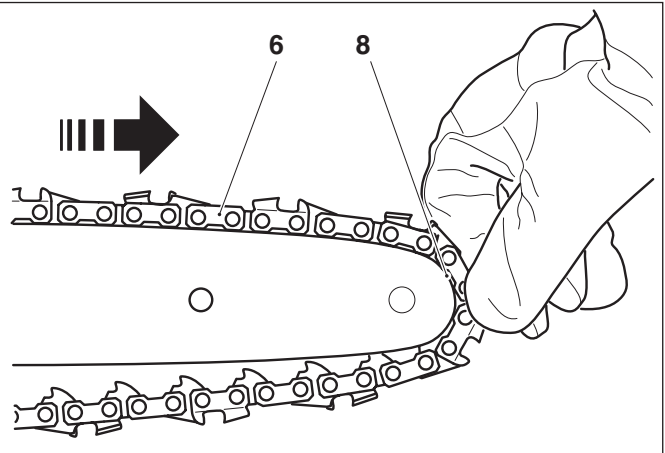
Lift the chain (6) over the sprocket (5).

Guide the chain from above about halfway into the groove (7) on the guide bar.

CAUTION:

Note that the cutting edges along the top of the chain must point in the direction of the arrow!

Pull the chain (6) around the sprocket nose (8) of the guide bar in the direction of the arrow.

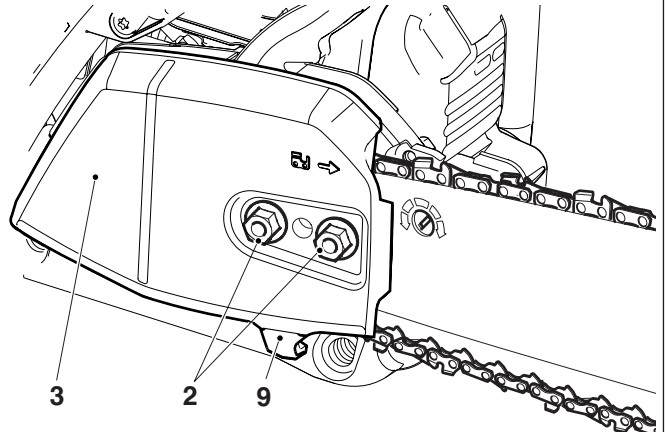


Replace the sprocket guard (3).



IMPORTANT:
Lift the saw chain over the chain catcher (9).

Tighten the nuts (2) only hand-tight to begin with.



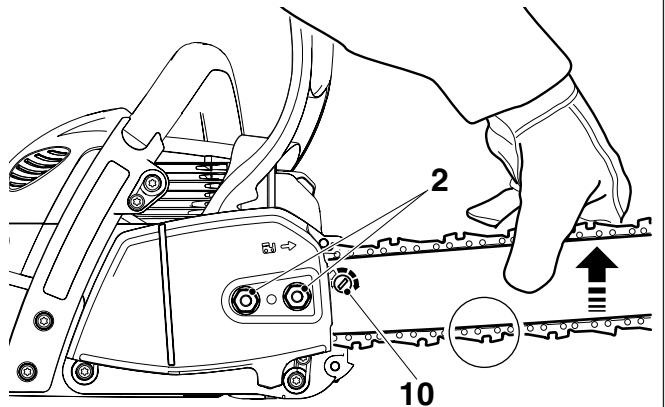
Tensioning the saw chain

Turn the **QuickSet** chain tensioner (10) to the right (clockwise) using the combination tool, until the saw chain guide elements engage in the guide groove on the bottom of the guide bar (if necessary, pull the chain into position slightly).

Raise the tip of the guide bar slightly and turn the chain tensioner (10) further until the saw chain is flush against the bottom of the guide bar (see circle).

While still holding up the tip of the guide bar, tighten the retaining nuts (2) with the universal wrench.

NOTE: If the guide bar has been turned over, turn the chain tensioner to left (i.e. counter-clockwise) to tighten the chain.



Checking the chain tension

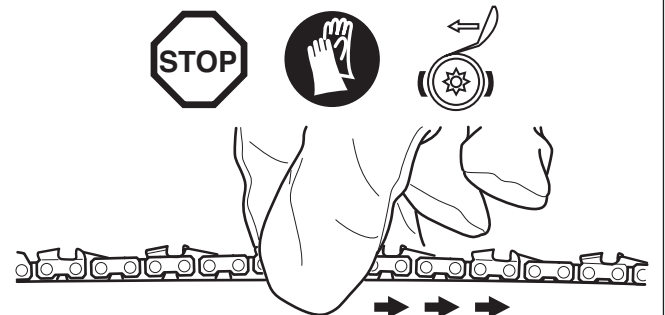
The tension of the chain is correct if the chain rests against the bottom side of the guide bar and can still be easily turned by hand.

While doing so the chain brake must be released.

Check the chain tension frequently - new chains tend to get longer during use!

When checking the chain tension the engine must be switched off.

NOTE: It is recommended to use 2-3 chains alternatively. In order to guarantee uniform wear of the guide bar the bar should be turned over whenever replacing the chain.



Retensioning the saw chain

Use the combination tool to loosen the fastening nuts (2) about one turn. Raise the tip of the guide bar slightly and turn the **QuickSet** chain tensioner (10) to the right (clockwise) until the saw chain is again flush against the bottom of the guide bar (see circle).

While still holding up the tip of the guide bar, tighten the retaining nuts (2) with the universal wrench.

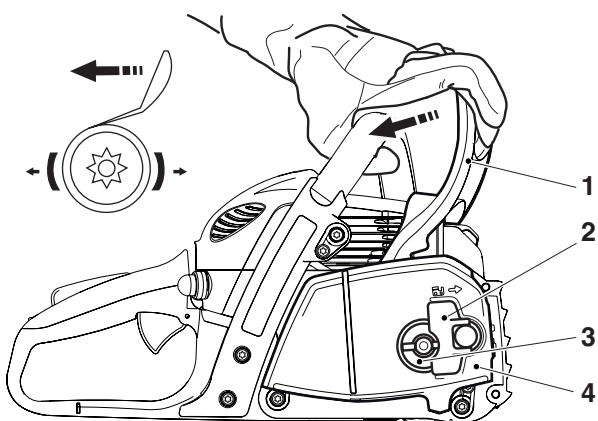




Only for models with quick tensioner on sprocket guard (EA3501S)

CAUTION:
Before doing any work on the guide bar or chain, always switch off the engine and pull the plug cap off the spark plug (see "Replacing the spark plug"). Always wear protective gloves!

CAUTION:
Start the chain saw only after having assembled it completely and inspected.



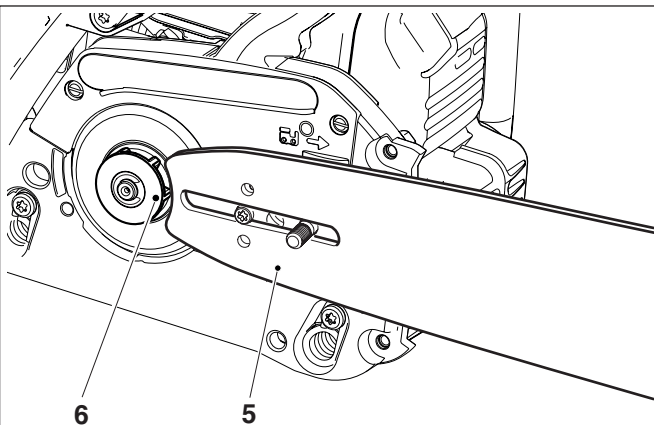
Mounting the guide bar and saw chain

Place the saw on a stable surface and perform the following work steps in order to install the guide bar and saw chain:
Release the chain brake by pulling the hand guard (1) in direction of arrow.

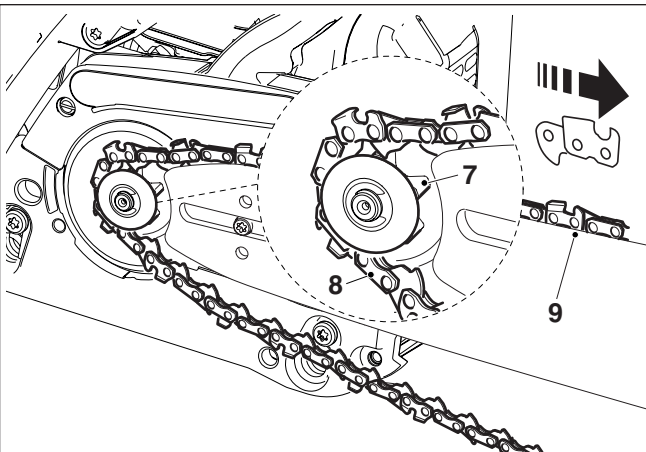
Fold up the sprocket guard quick tensioner (2) (see also the illustration on tensioning the saw chain).

Push the sprocket guard quick tensioner in forcefully against the spring tension and slowly turn **counter-clockwise**, until you feel it engage. Keep pushing, and turn as far as possible counter-clockwise.

Release the sprocket guard quick tensioner again and turn **clockwise** to bring it back to its original position. Repeat this procedure until the sprocket guard (4) is unscrewed. Remove the sprocket guard (4).



Put the guide bar (5) on and push it against the sprocket (6).

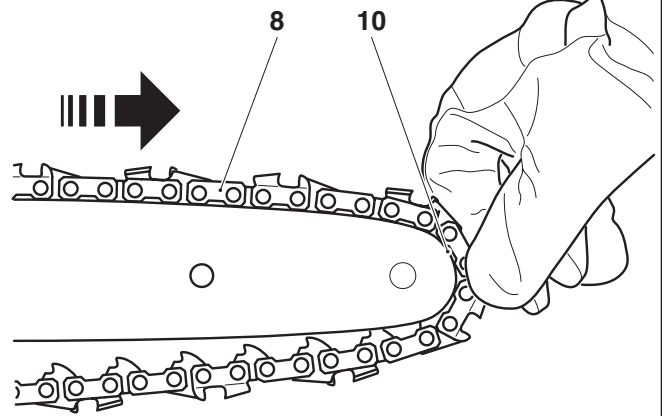


Lift the chain (8) over the sprocket (7).

Guide the chain from above about halfway into the groove (9) on the guide bar.

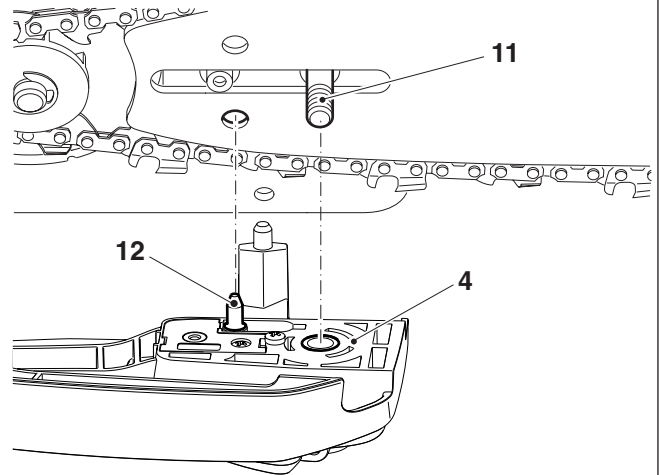
CAUTION:
Note that the cutting edges along the top of the chain must point in the direction of the arrow!

Pull the chain (8) around the sprocket nose (10) of the guide bar in the direction of the arrow.



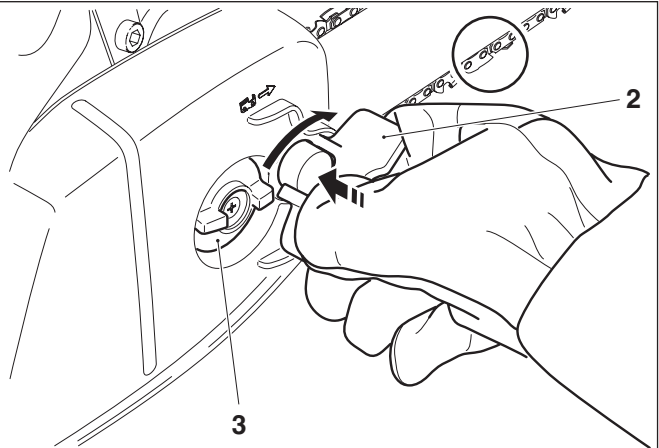
Align hole on sprocket guard (4) with the pin (11).
Turn the chain tensioner (3, see "Tightening the saw chain") to bring the chain tensioner pin (12) into alignment with the hole in the guide bar.

Push the sprocket guard (4) onto the pin (11).

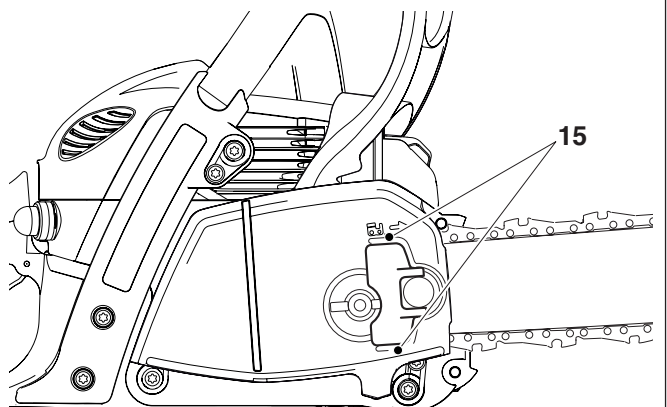


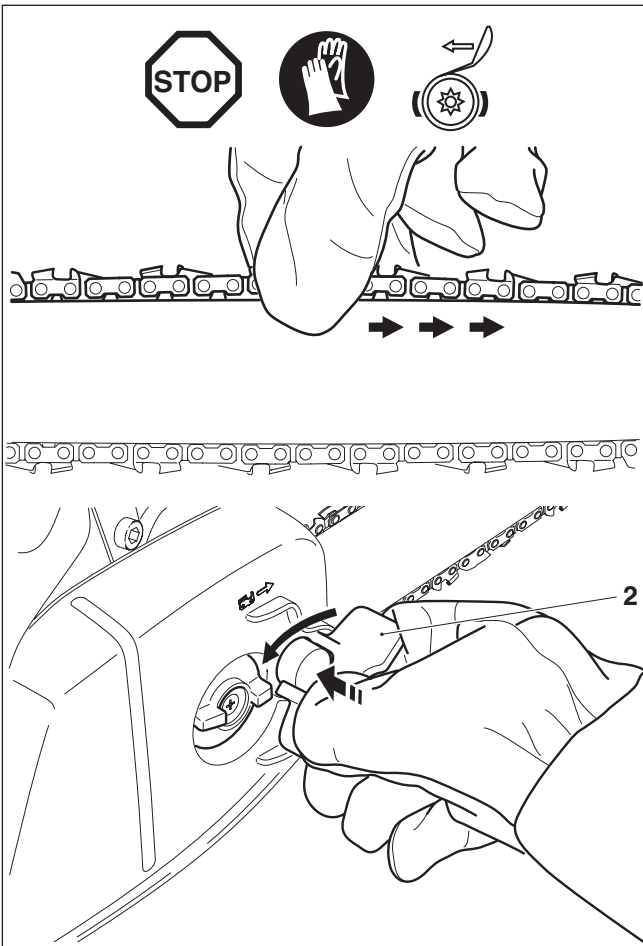
Tightening the saw chain

Simultaneously push in hard on the sprocket guard quick tensioner (2) and turn it clockwise to screw the sprocket guard on, but do not yet tighten it.
Raise the tip of the guide bar slightly and turn the chain tensioner (3) clockwise until the saw chain is flush against the bottom of the guide bar (see circle).
Push the sprocket guard quick tensioner (2) in again and tighten by turning clockwise.



Release the sprocket guard chain tensioner until it turns freely, then fold it in between protective ribs (15) as shown in the illustration.





Checking the chain tension

The tension of the chain is correct if the chain rests against the bottom side of the guide bar and can still be easily turned by hand.

While doing so the chain brake must be released.

Check the chain tension frequently - new chains tend to get longer during use!

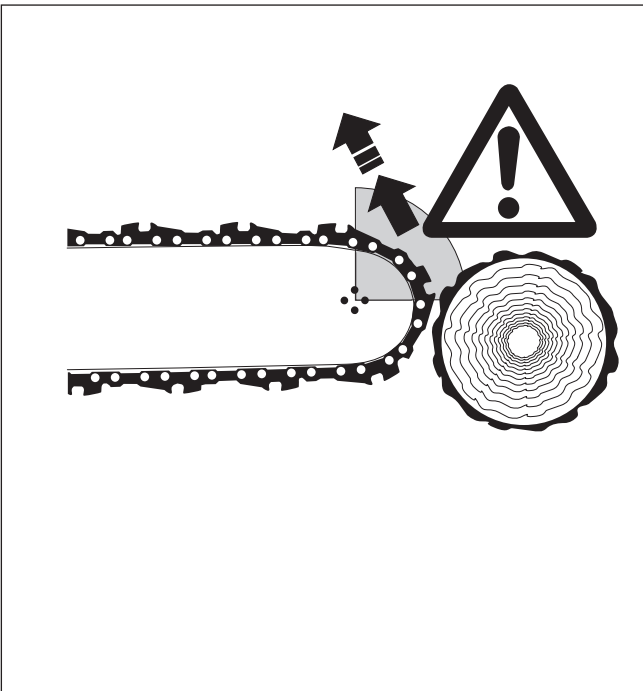
When checking the chain tension the engine must be switched off.

NOTE: It is recommended to use 2-3 chains alternatively. In order to guarantee uniform wear of the guide bar the bar should be turned over whenever replacing the chain.

Retensioning the saw chain

All that is necessary to retension the saw chain is to loosen the quick tensioner (2) slightly as described under "Mounting the guide bar and saw chain".

Tension the chain as already described.



For all models

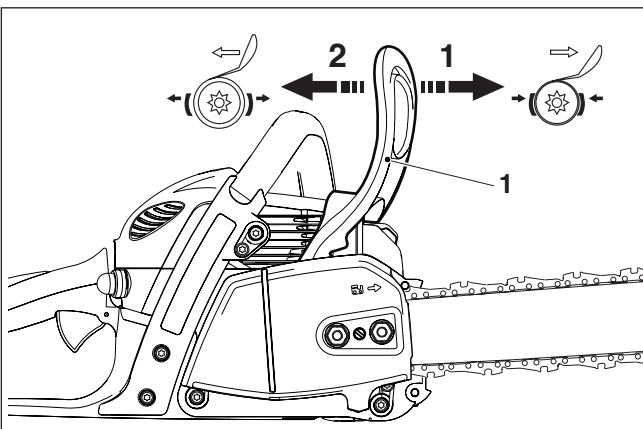
Chain brake

The EA3500S and EA3501S comes with an inertia chain brake as standard equipment. If kickback occurs due to contact of the guide-bar tip with wood (see SAFETY PRECAUTIONS, page 5, 9), the chain brake will stop the chain through inertia if the kickback is sufficiently strong. The chain will stop within a fraction of a second.

The chain brake is installed to block the saw chain before starting it and to stop it immediately in case of an emergency.

IMPORTANT: NEVER run the saw with the chain brake activated (except for testing, see "Testing chain brake")! Doing so can very quickly cause extensive engine damage!

ALWAYS release the chain brake before starting the work!



Engaging the chain brake (braking)

If the kickback is strong enough the sudden acceleration of the guide bar combined with the inertia of the hand guard (1) will **automatically** actuate the chain brake.

To engage the chain brake **manually**, simply push the hand guard (1) forward (towards the tip of the saw) with your left hand (arrow 1).

Releasing the chain brake

Pull the hand guard (1) towards you (arrow 2) until you feel it catch. The brake is now released.

Fuel

CAUTION:

This saw is powered by petroleum products (gasoline (petrol) and oil).

Be especially careful when handling gasoline (petrol). Do not smoke. Do not allow gasoline to come near flames, sparks or fire (explosion hazard).

Fuel mixture

This tool is powered by a high-performance air-cooled two-stroke engine. It runs on a mixture of gasoline and two-stroke engine oil.

The engine is designed for unleaded regular gasoline with a min. octane value of 89 (R+M)/2. In case no such fuel is available, you can use fuel with a higher octane value. This will not affect the engine.

In order to obtain an optimum engine output and to protect your health and the environment use unleaded fuel only.

To lubricate the engine, use a synthetic oil for two-stroke air-cooled engines (quality grade: JASO FC or ISO-L-EGD), which has to be added to the fuel. The engine has been designed for use of MAKITA synthetic two-stroke engine oil and a mixture ratio of ONLY 50:1 to protect the environment. In addition, a long service life and reliable operation with a minimum emission of exhaust gases are ensured.

MAKITA synthetic two-stroke engine oil (50:1) is available in the following sizes to suit your individual requirements:

2.6 floz. order number T-00745

6.4 floz. order number T-00739

In case MAKITA synthetic two-stroke engine oil is not available, it is recommended to use a mixture ratio of 50:1 with other synthetic two-stroke engine oils, as otherwise optimum operation of the engine cannot be guaranteed.

The correct mixture ratio:

50:1 when using MAKITA synthetic two-stroke engine oil, i. e. mix 50 parts gasoline with 1 part oil.

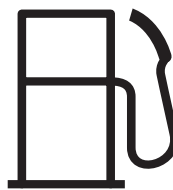
50:1 when using other synthetic two-stroke engine oils (quality grade JASO FC or ISO-L-EGD), i. e. mix 50 parts gasoline with 1 part oil.

NOTE:

For preparing the fuel-oil mixture first mix the entire oil quantity with half of the fuel required, then add the remaining fuel. Thoroughly shake the mixture before filling it into the chain saw tank.



Gasoline



+

50:1
other oil



1.0 Us-gal. (3.7 l)
2.5 Us-gal. (9.4 l)
5.0 Us-gal. (18.9 l)

2.6 floz. (75 cm³)
6.4 floz. (189 cm³)
12.8 floz. (378 cm³)

It is not wise to add more engine oil than specified to ensure safe operation. This will only result in a higher production of combustion residues which will pollute the environment and clog the exhaust channel in the cylinder as well as the muffler. In addition, fuel consumption will rise and performance will decrease.

Storage:

Fuels have a limited storage life. Fuel and fuel mixtures age through evaporation, especially at high temperatures. Aged fuel and fuel mixtures can cause starting problems and damage the engine. Purchase only that amount of fuel, which will be consumed over the next few months. At high temperatures, once fuel has been mixed it should be used up in 6-8 weeks.

Use only approved and marked containers for transport and storage. Store fuel only in dry, cool and secure locations!

AVOID SKIN AND EYE CONTACT

Mineral oil products degrease your skin. If your skin comes in contact with these substances repeatedly and for an extended period of time, it will desiccate. Various skin diseases may result. In addition, allergic reactions are known to occur.

Eyes can be irritated by contact with oil. If oil comes into your eyes, immediately wash them with clear water.

If your eyes are still irritated, see a doctor immediately!

Chain oil



Use an oil with adhesive additive for lubricating the chain and guide bar. The adhesive additive prevents the oil from being flung off the chain too quickly.

We recommend the use of chain oil which is bio-degradable in order to protect the environment. The use of bio-degradable oil may even be required by local regulations. The chain oil BIOTOP sold by MAKITA is made of special vegetable oils and is 100% bio-degradable. BIOTOP has been granted the "blue angel" (Blauer Umweltschutz-Engel) for being particularly environment-friendly (RAL UZ 48).



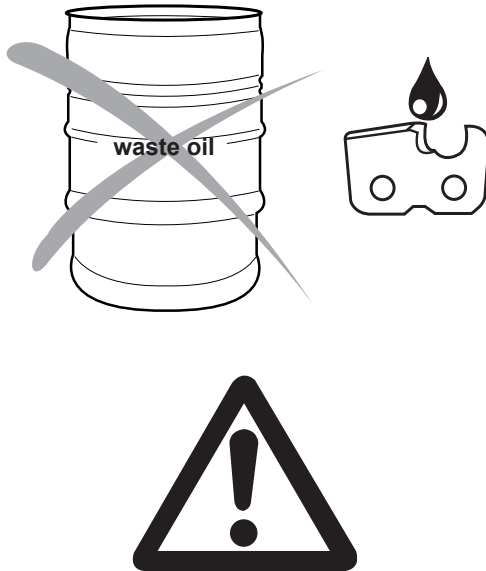
Bio-degradable oil is stable only for a limited period of time. It should be used within 2 years from the date of manufacture (printed on the container).

Important note on bio-degradable chain oils

If you are not planning to use the saw again for an extended period of time, empty the oil tank and put in a small amount of regular engine oil (SAE 30), and then run the saw for a time. This is necessary to flush out all remaining bio-degradable oil from the oil tank, oil-feed system, chain and guide bar, as many such oils tend to leave sticky residues over time, which can cause damage to the oil pump or other parts.

The next time you use the saw, fill the tank with BIOTOP chain oil again. In case of damage caused by using waste oil or inappropriate chain oil the product guarantee will be null and void.

Your salesman will inform you about the use of chain oil.



NEVER USE WASTE OIL

Waste oil is very dangerous for the environment.

Waste oil contains high amounts of carcinogenic substances. Residues in waste oil result in a high degree of wear and tear at the oil pump and the sawing device.

In case of damage caused by using waste oil or inappropriate chain oil the product guarantee will be null and void.

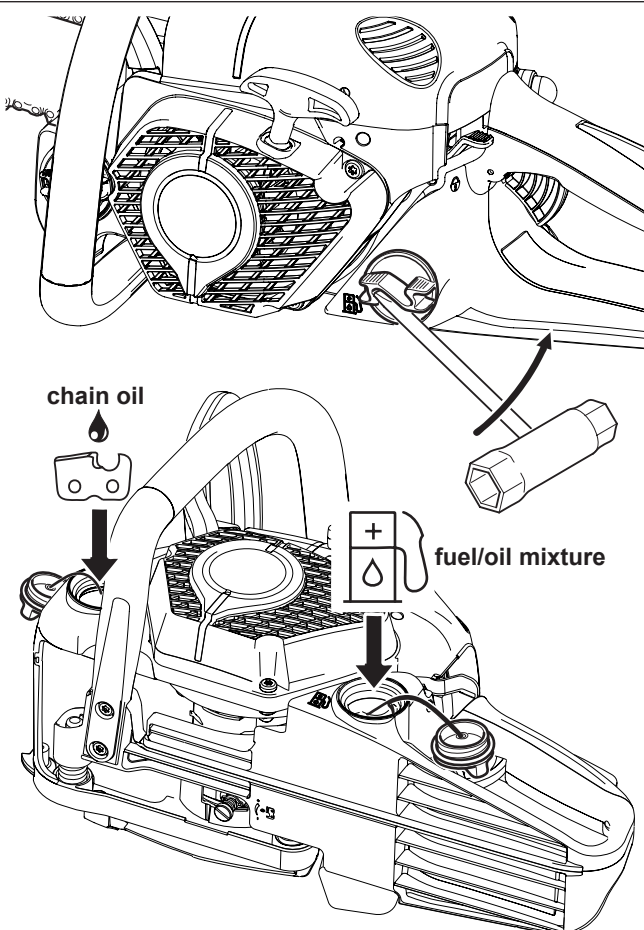
Your salesman will inform you about the use of chain oil.

AVOID SKIN AND EYE CONTACT

Mineral oil products degrease your skin. If your skin comes in contact with these substances repeatedly and for an extended period of time, it will desiccate. Various skin diseases may result. In addition, allergic reactions are known to occur.

Eyes can be irritated by contact with oil. If oil comes into your eyes, immediately wash them with clear water.

If your eyes are still irritated, see a doctor immediately!



Refuelling



FOLLOW THE SAFETY PRECAUTIONS!

Be careful and cautious when handling fuels.

The engine must be switched off!

Thoroughly clean the area around the caps, to prevent dirt from getting into the fuel or oil tank.

Unscrew the tank cap (use the universal wrench if necessary, see illustration) and fill tank with fuel mixture or saw chain oil up to the bottom edge of the filling neck. Be careful not to spill fuel or chain oil!

Screw on the tank cap **by hand all the way**.

Clean the tank cap and the area around the tank after refuelling.

Lubricating the chain



During operation there must always be sufficient chain oil in the chain-oil tank to provide good chain lubrication.

At medium oil feed rate, the oil tank holds enough for one fuel tank's worth of operation. During this procedure check whether there is enough the chain oil in the tank and refill if necessary. **Do this only with the engine turned off!** Screw on the tank cap **by hand all the way**.

Checking the chain lubrication

Never work with the chain saw without sufficient chain lubrication. Otherwise the service life of the chain and guide bar will be reduced. Before starting work check the oil level in the tank and the oil feed.

Check the oil feed rate as described below:

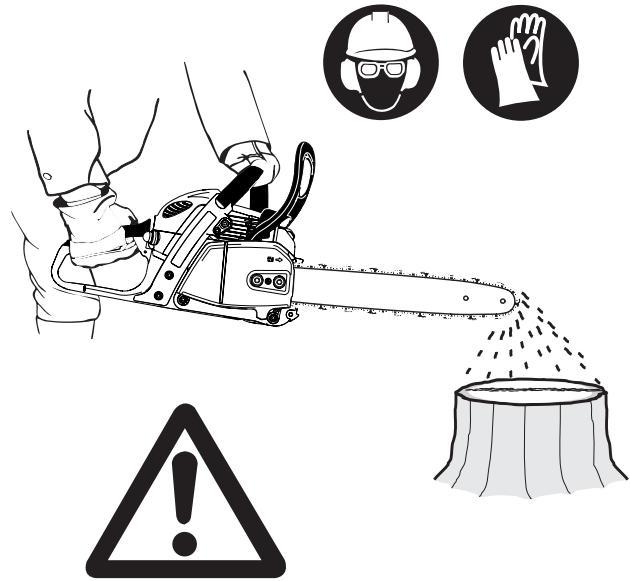
Start the chain saw (see "Starting the engine").

Hold the running chain saw approx. 6" (15 cm) above a trunk or the ground (use an appropriate base).

If the lubrication is sufficient, you will see a light oil trace because oil will be flung off the sawing device. Pay attention to the direction the wind is blowing and avoid unnecessary exposure to the oil spray!

Note:

After the saw has been turned off it is normal for residual chain oil to drip from the oil feed system, the guide bar and the chain for a time. This does not constitute a defect! Place the saw on a suitable surface.



Adjusting the chain lubrication



The engine must be switched off!

You can adjust the oil pump feed rate with the adjusting screw (1). The adjusting screw is on the bottom side of the housing.

The oil pump is factory-set to the minimum feed rate. Two settings are possible - minimum and maximum feed rate.

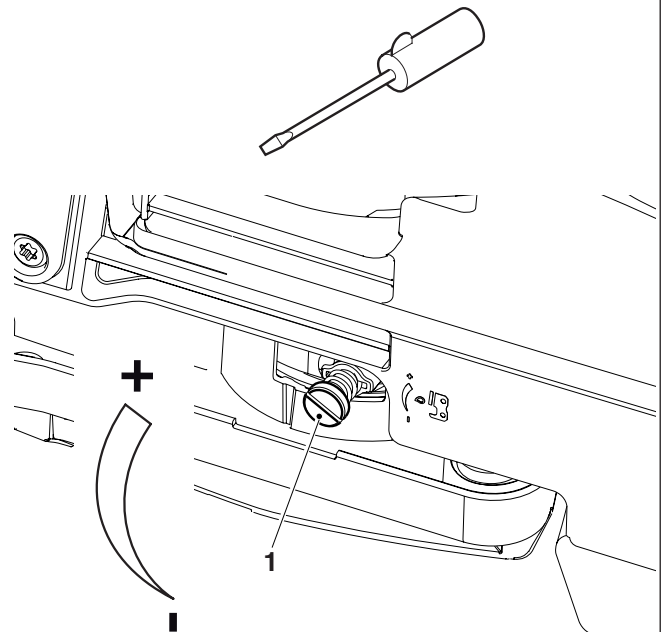
To adjust the supply rate, use a small screwdriver to turn the adjusting screw:

- to the right for a faster
- to the left for a slower

oil feed rate.

Select one of the two settings, depending on the guide bar length.

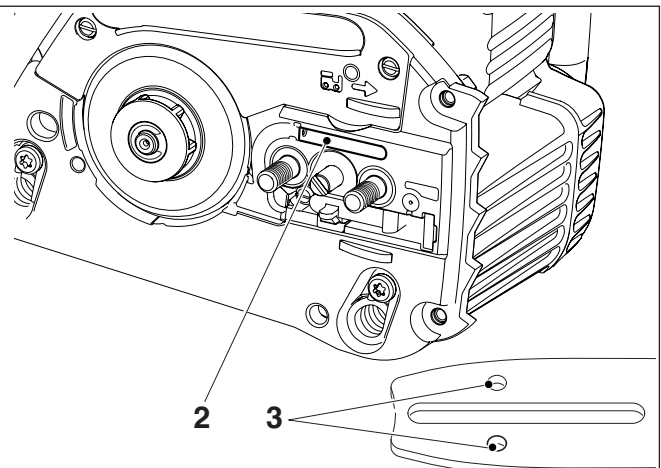
While working, make sure there is enough chain oil in the tank. If necessary, add oil.

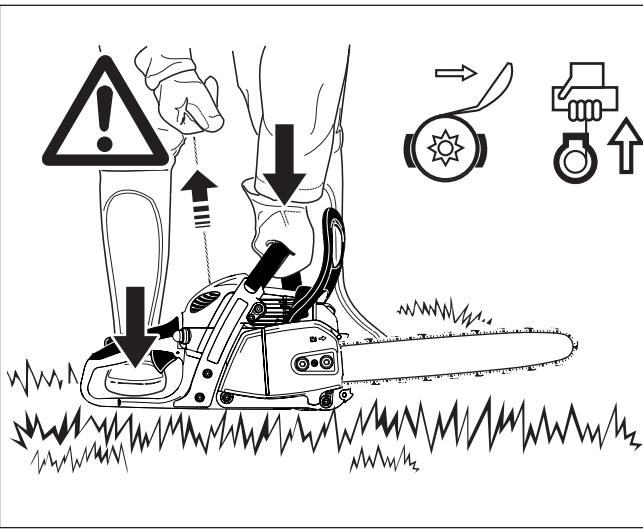


To ensure troublefree operation of the oil pump the oil guide groove at the crank case (2) and the oil inlet bore in the guide bar (3) must be cleaned regularly.

Note:

After the saw has been turned off it is normal for residual chain oil to drip from the oil feed system, the guide bar and the chain for a time. This does not constitute a defect! Place the saw on a suitable surface.





Starting the engine

Do not start the chain saw until after it is completely assembled and checked!

Move at least 10 feet (3 meters) away from the place where the chain saw was fuelled.

Make sure you have a secure footing, and place the saw on the ground in such a way that the guide bar and chain are not near anything.

Actuate the chain brake (block it).

Hold the front handle firmly with one hand and press the saw against the ground.

Hold down the rear handguard with your right foot as shown.

Note: The Featherlight-Start System lets you start the saw without effort. Go through the starting procedure smoothly and evenly.

Cold starting:

Prime the fuel pump (5) by pressing it several times until you can see fuel in the pump.

Move the combination switch (1) up (choke position). This also actuates the half-throttle lock.

Pull the starter handle (2) smoothly and evenly.

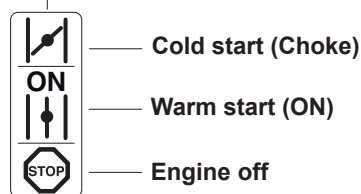
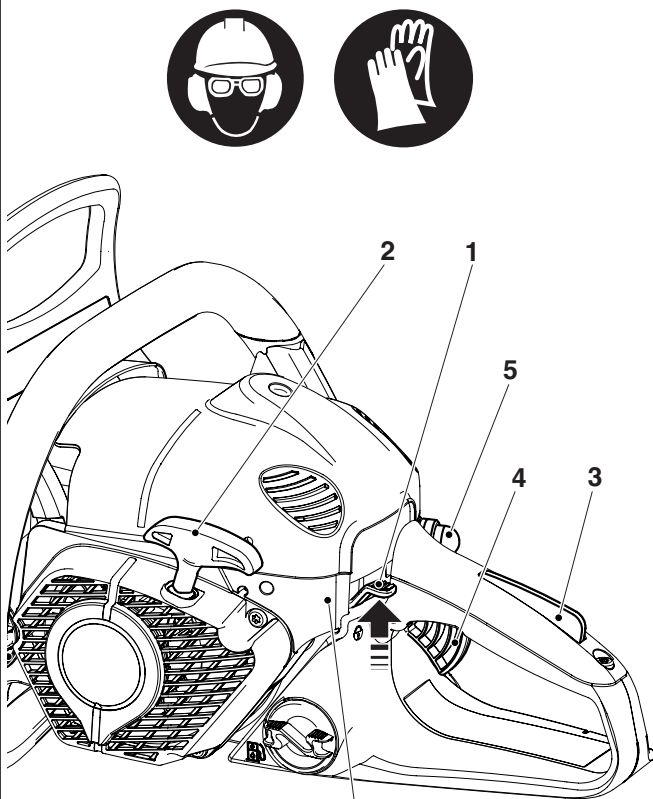
CAUTION: Do not pull the starter cable more than about 20" (50 cm) out, and let it back in slowly by hand.

Repeat the starting procedure twice.

Move the combination switch (1) to the central "ON" position. Pull the starter handle smoothly and evenly again. As soon as the engine is running, grasp the rear handle (the safety lock button (3) is actuated by the palm of the hand) and press the throttle trigger (4).

CAUTION: The engine must be put in idle immediately after starting. If this is not done, the clutch can be damaged.

Now disengage the chain brake.



Combination switch in safety position
(ignition current cut off, necessary for all maintenance, repair, and installation work)

Warm starting:

As described above for cold starting, but before starting push the combination switch (1) up (Choke position) and then right away back to the middle "ON" position. This is only to engage the half-throttle lock. If the engine doesn't start after 2 or 3 pulls, repeat the entire starting procedure as described for cold starting.


NOTE: If the engine was switched off only for a short time, the saw can be started without using the combination switch.

Important: If the fuel tank has been completely emptied and the engine has stopped due to lack of fuel prime the fuel pump (5) by pressing it several times until you can see fuel in the pump.

Stopping the engine

Depress the combination switch (STOP) (1).

NOTE: After being pressed down, the combination switch will revert to the ON position again. The engine is switched off, but can be turned on again without moving the combination switch.

IMPORTANT: To cut off the ignition current, push the combination switch all the way down past the resistance point to the safety position ().

Checking the chain brake

The chain brake must be checked before every use of the saw!

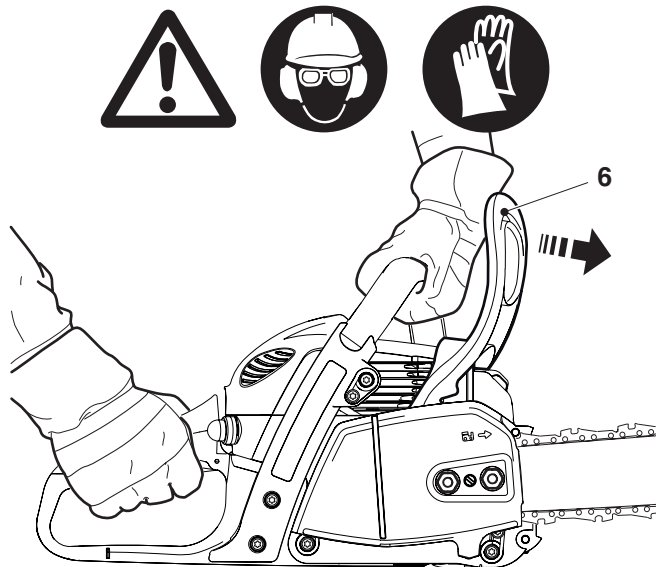
Start the engine as described above (have a secure footing, place the chain saw on the ground so that the chain and guide bar are not near anything).

Hold the front handle firmly, with your other hand on the rear grip.

Let the engine run at medium speed and push the handguard (6) in the direction of the arrow using the back of your hand, until the chain brake engages. The chain should now stop immediately.

Bring the engine back to idle and release the chain brake.

Caution: If the chain does not stop immediately in this test, turn off the engine immediately. Do NOT use the chain saw in this condition! Contact a MAKITA service center.



Adjusting the carburetor

CAUTION: Carburetor adjustment may only be done by a specialist MAKITA service center!



Only adjusting screw (T) can be manipulated by the user. If the saw chain moves in idle (i.e. without the throttle being pressed), it is imperative to correct the idle speed!

Do not adjust the idle speed until after complete assembly and testing of the saw!

Idle speed adjustment must only be undertaken when the engine is warm, with a clean air filter and properly installed guide bar and chain.

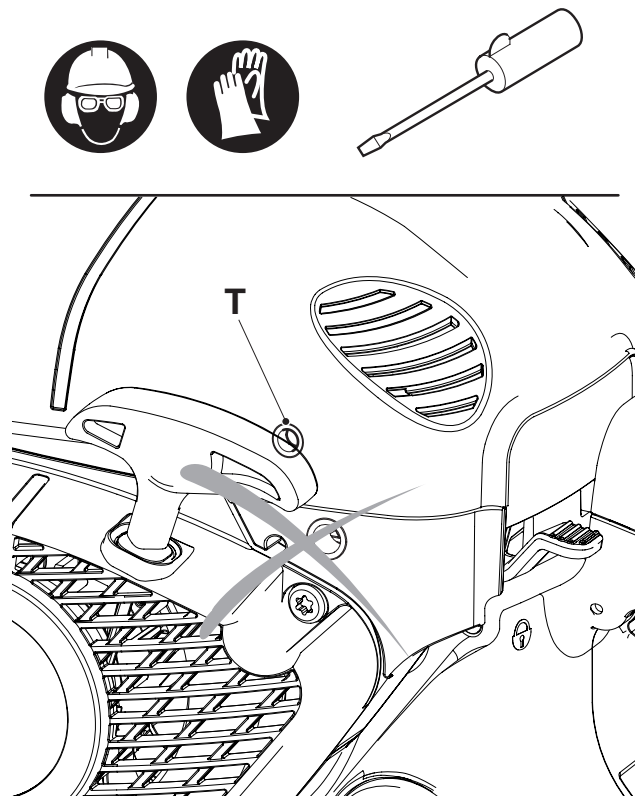
Use a screwdriver (4 mm blade) for idle adjustments.

Adjusting the idle speed

Turn adjusting screw (T) counter-clockwise (unscrew): Idle speed decreases.

Turn adjusting screw (T) clockwise (screw in): Idle speed increases.

Important: If the saw chain still moves during idle even after you have adjusted the idle speed, do NOT use the saw. Take it to a MAKITA service center!



MAINTENANCE

Sharpening the saw chain



CAUTION: Before doing any work on the guide bar or chain, always switch off the engine and pull the plug cap off the spark plug (see “Replacing the spark plug”). Always wear protective gloves!

The chain needs sharpening when:

The sawdust produced when sawing damp wood looks like wood flour.

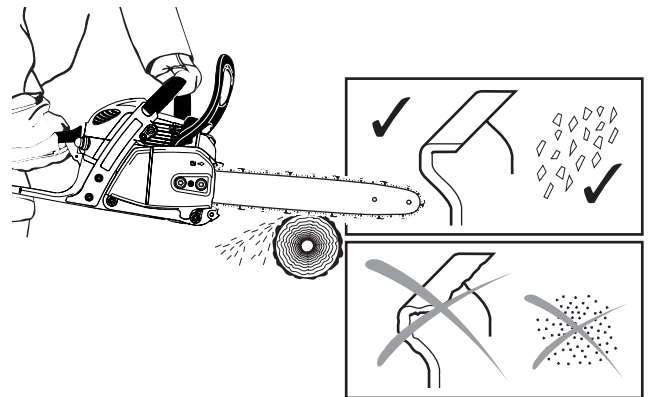
The chain penetrates the wood only under great pressure. The cutting edge is visibly damaged.

The saw is pulled to the left or right when sawing. This is caused by uneven sharpening of the chain.

Important: Sharpen frequently, but without removing too much metal!

Generally, 2 or 3 strokes of the file will be enough.

Have the chain resharpened at a service center when you have already sharpened it yourself several times.



Proper sharpening:

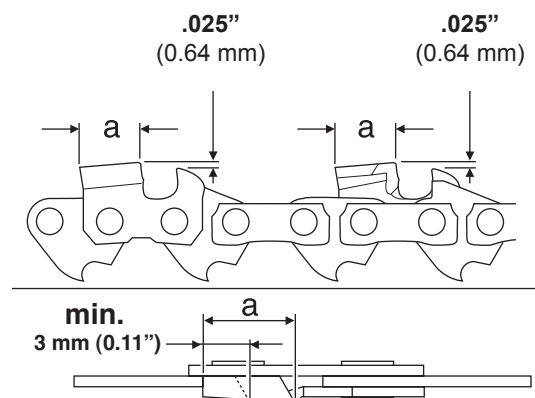
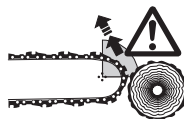
CAUTION: Use only chains and guide bars designed for this saw (see the Extract from the spare-parts list)!

All cutters must be of the same length (dimension a). Cutters with different lengths result in rough running of the chain and can cause cracks in the chain.

The minimum cutter length: 0.11” (3 mm). Do not resharpen the chain when the minimum cutter length has been reached; at this point, the chain must be replaced (see the Extract from the spare-parts list and “Replacing the saw chain”).

The depth of the cut is determined by the difference in height between the depth limiter (round nose) and the cutting edge. The best results are obtained with a depth-limiter depth of .025” (0.64 mm).

CAUTION: Excessive depth increases the risk of kickback!

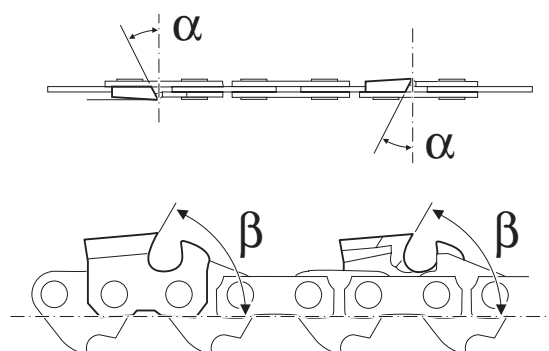


The sharpening angle (α) must be identical for all cutters!
30° for chain type 492 (91PX), 290 (90SG), 291 (90PX)

The teeth will have the proper angle (β) automatically if the proper round file is used.

80° for chain type 492 (91PX)
75° for chain type 290 (90SG), 291 (90PX)

Different angles result in a roughly, irregularly running chain, increase wear and tear and cause chain breakage.



Files and how to work with them

Use a special saw chain round file for sharpening. Standard round files are unsuitable.

Type 492 (91PX): Saw chain round file, dia. 5/32" (4.0 mm).

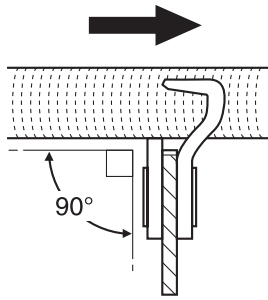
Type 290 (90SG), 291 (90PX): Saw chain round file, dia. 11/64" (4.5 mm).

The file should cut only when pushed forwards (arrow). Lift the file when leading it backwards.

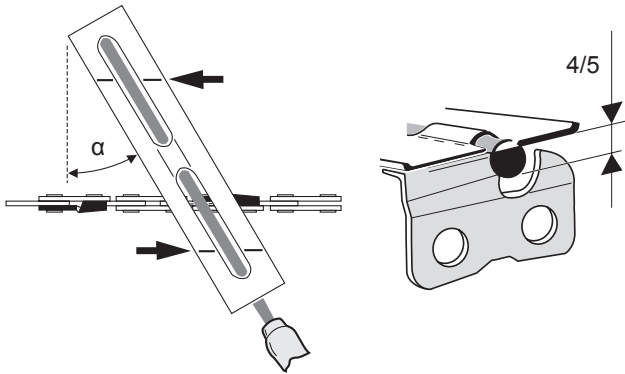
First sharpen the shortest cutter. The length of this cutter is then the standard for all other cutters of the chain.

New saw teeth must be filed to the exact same shape as the used teeth, including on their running surfaces.

File depending on chain type (90° to the guide bar).



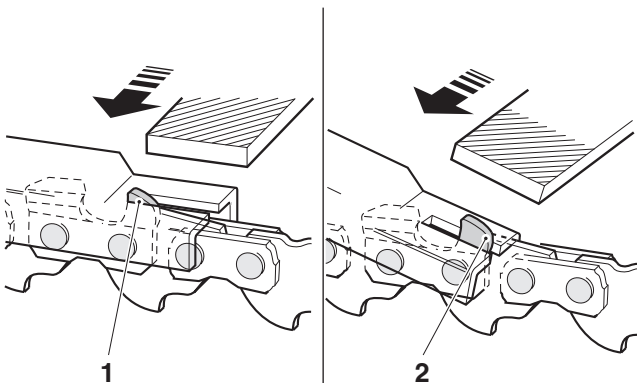
Chain type
492 (91PX), 290 (90SG),
291 (90PX)



A file holder makes file guidance easier. It is marked for the correct sharpening angle of:

$$\alpha = 30^\circ$$

(keep the marks parallel with the chain when filing, see illustration) and limits the cut depth to the correct 4/5 of the file diameter.



After having sharpened the chain, the height of the depth limiter must be checked by means of a chain gauge.

Correct even the smallest excess height with a special flat file (1).

Round off the front of the depth limiter (2).

Cleaning the inside of the sprocket guard

CAUTION: Before doing any work on the guide bar or chain, always switch off the engine and pull the plug cap off the spark plug (see "Replacing the spark plug"). Always wear protective gloves!

CAUTION: Start the chain saw only after having assembled it completely and inspected.

Remove the sprocket guard (1) (see PUTTING INTO OPERATION for the correct model) and clean out the interior with a brush.

Remove the chain (2) and guide bar (3).

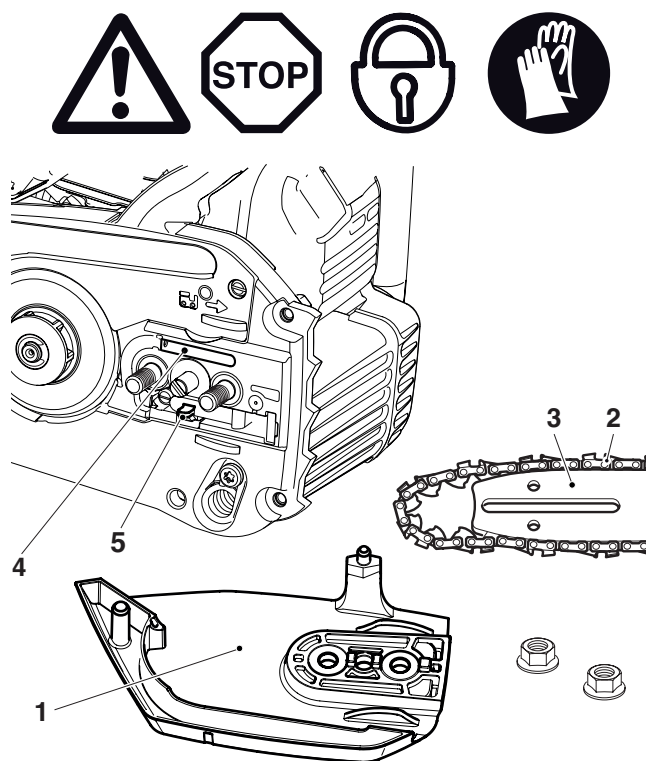
NOTE:

Make sure there are no residues or foreign matter remaining in the oil guide groove (4) or on the chain tensioner (5). To install the guide bar, saw chain, and sprocket guard, see PUTTING INTO OPERATION for the correct model.

NOTE:

The chain brake is a very important safety device and like any other component subject to normal wear and tear.

Regular inspection and maintenance are important for your own safety and must be done by a MAKITA service center.



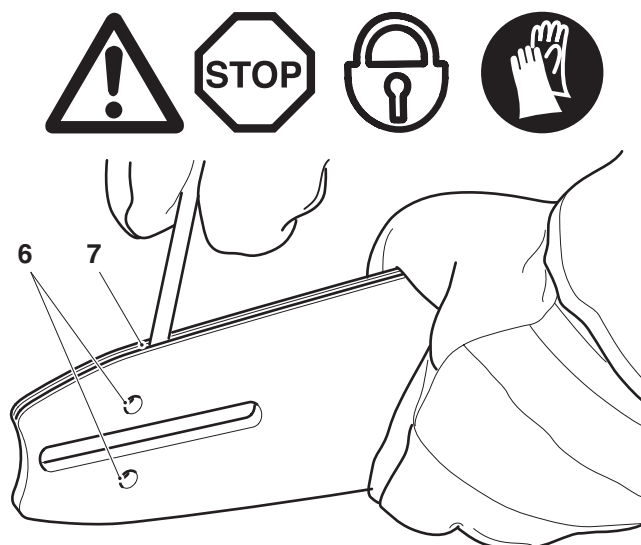
SERVICE

Cleaning the guide bar

CAUTION: Protective gloves must be worn.

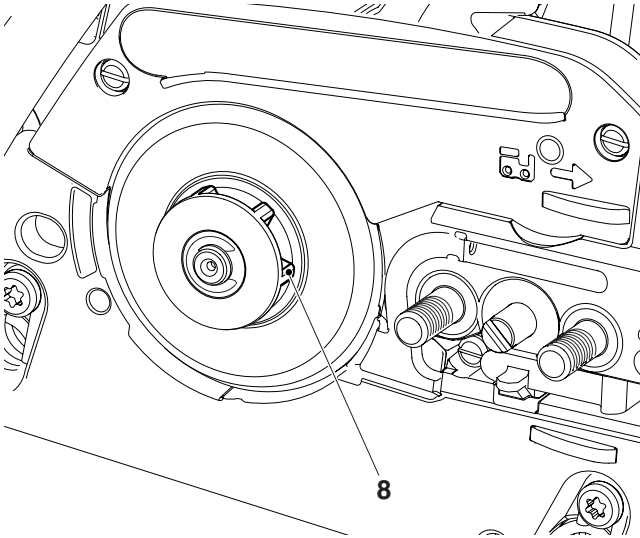
Regularly inspect the bearing surfaces of the guide bar (7) for damage, and clean them with a suitable tool.

Keep the two oiling holes (6) and the entire guide bar clean and free of foreign matter!



Replacing the saw chain

CAUTION: Use only chains and guide bars designed for this saw (see the Extract from the spare-parts list)!



Check the sprocket before mounting a new chain. Worn out sprockets (8) may damage the new chain and must therefore be replaced. Remove the sprocket guard (See "PUTTING INTO OPERATION"). Remove the chain and guide bar. Remove circlip (9).

CAUTION: The circlip will pop out of the groove. When removing it, hold your thumb against it to prevent it from popping off.

Remove shim washer (11).

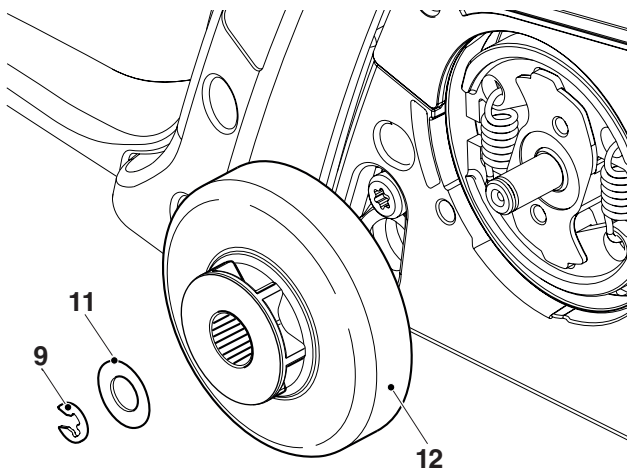
If the sprocket (8) is worn out, the complete clutch drum (12) will need to be replaced (for the part number, see "Extract from the spare parts list").

Install a complete new clutch drum (12), shim washer (11) and new circlip (9) (for the part numbers, see "Extract from the spare parts list").

For replacing the guide bar, chain, and sprocket see "PUTTING INTO OPERATION".

NOTE:

Don't use a new chain on a worn chain sprocket. By the time 2 chains have worn, the sprocket has become worn out, so it should be replaced at least at every second chain replacement. To distribute the chain oil evenly, run a new chain at half-throttle for a few minutes before use. New chains stretch, so check the chain tension frequently (see "Checking the chain tension").



Cleaning the air filter



CAUTION: To prevent eye injury, always wear eye protection when cleaning the filter with compressed air! Do not use fuel to clean the air filter.

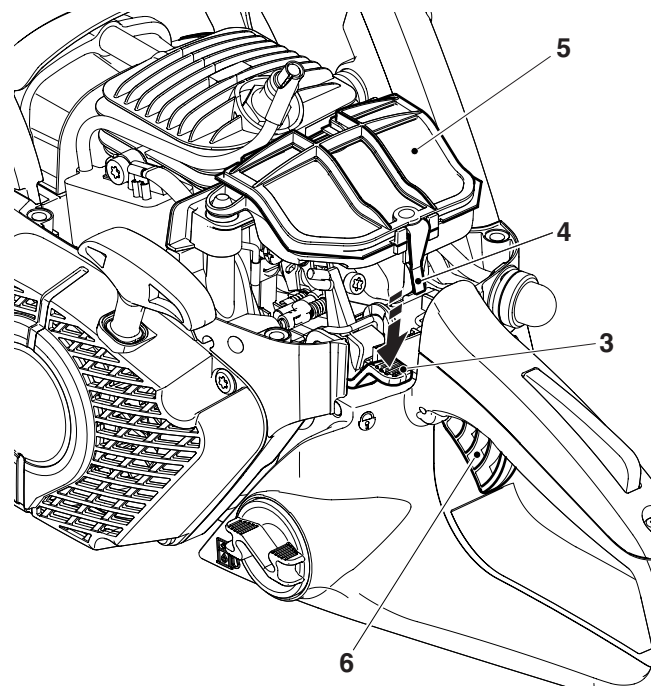
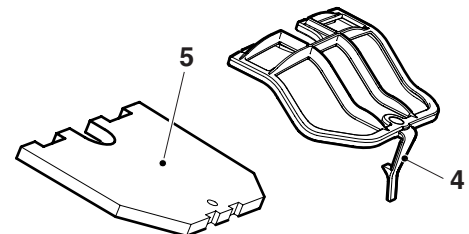
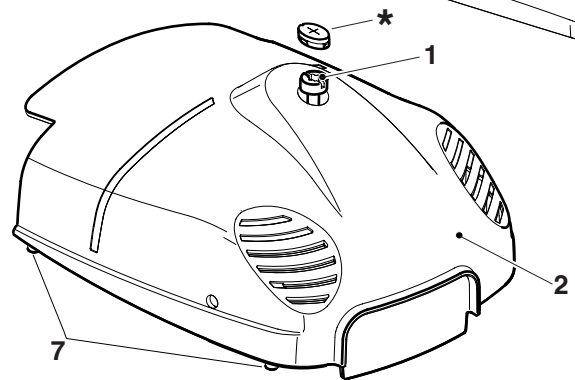
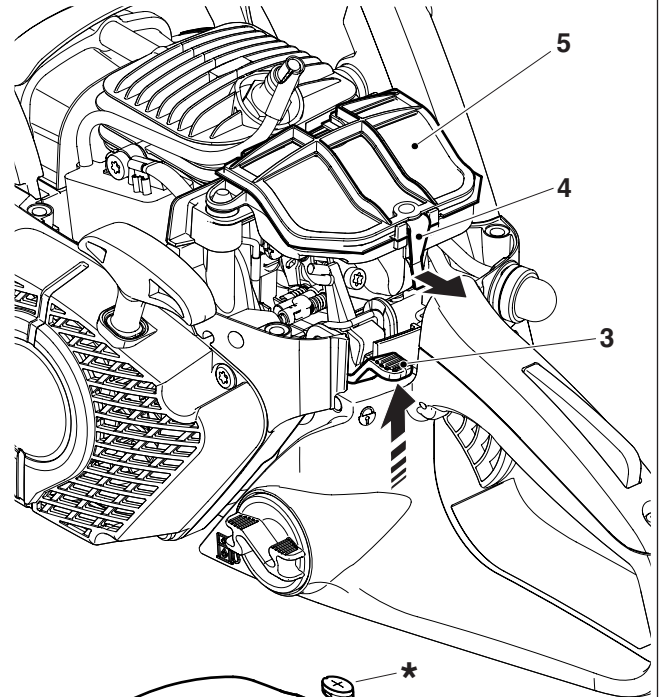
Insert the universal wrench vertically through the slotted plug (*).
Loosen the screw (1) counter-clockwise and remove the hood (2).
Push up the combination switch (3) (Choke position) to prevent dirt particles from falling into the carburetor.
Pull the air filter cover tab (4) slightly in the direction of the arrow, and remove the air filter cover.
Remove the air filter (5).

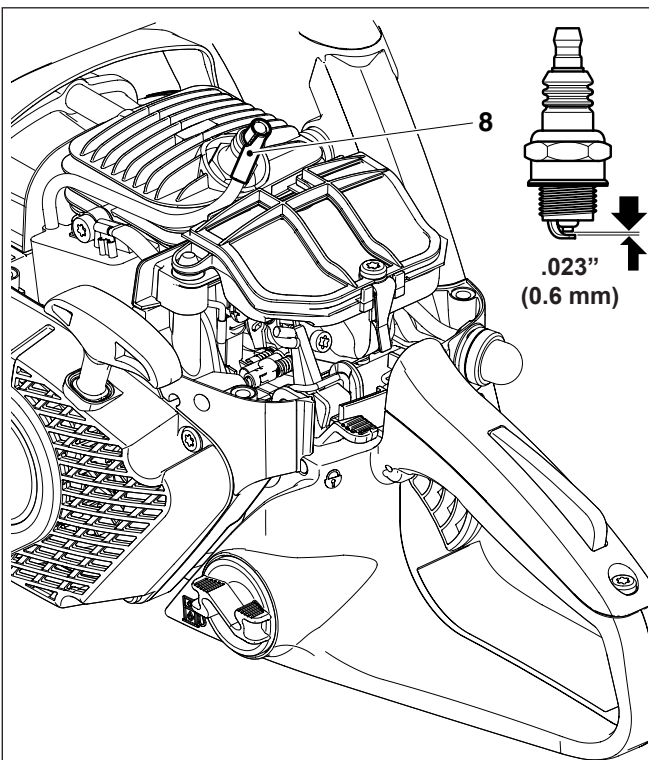
IMPORTANT: Cover the intake opening with a clean cloth to prevent dirt particles from getting into the carburetor.

If the filter is very dirty, clean it in lukewarm water with dishwashing detergent.
Let the air filter **dry completely**.
If the filter is very dirty, clean it frequently (several times a day), because only a clean air filter provides full engine power.

CAUTION:
Replace damaged air filters immediately.
Pieces of cloth or large dirt particles can destroy the engine!

Insert the air filter (5).
Put on the air filter cover.
Note: The air filter cover tab (4) will engage automatically if the air filter cover is properly positioned.
Push down the combination switch (3) and press the throttle (6) all the way down one time in order to deactivate the throttle lock.
Put on the hood (2). When doing so make sure that the lower pins (7) on both sides of the hood engage properly (when correctly assembled, the pins should not be visible).
Tighten screw (1) clockwise.





Replacing the spark plug



CAUTION:

Do not touch the spark plug or plug cap if the engine is running (high voltage).

Switch off the engine before starting any maintenance work. A hot engine can cause burns. Wear protective gloves!

The spark plug must be replaced in case of damage to the insulator, electrode erosion (burn) or if the electrodes are very dirty or oily.

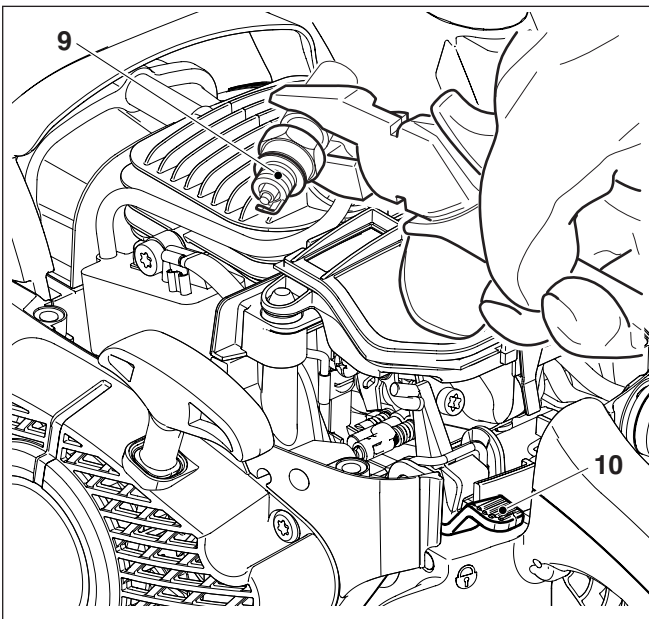
Remove the filter cover (see "Cleaning the air filter").

Pull the plug cap (8) off the spark plug. Use only the combination wrench supplied with the saw to remove the spark plug.

Electrode gap

The electrode gap must be .023" (0.6 mm).

CAUTION: Use only the following spark plugs: NGK CMR6A.



Checking the ignition spark

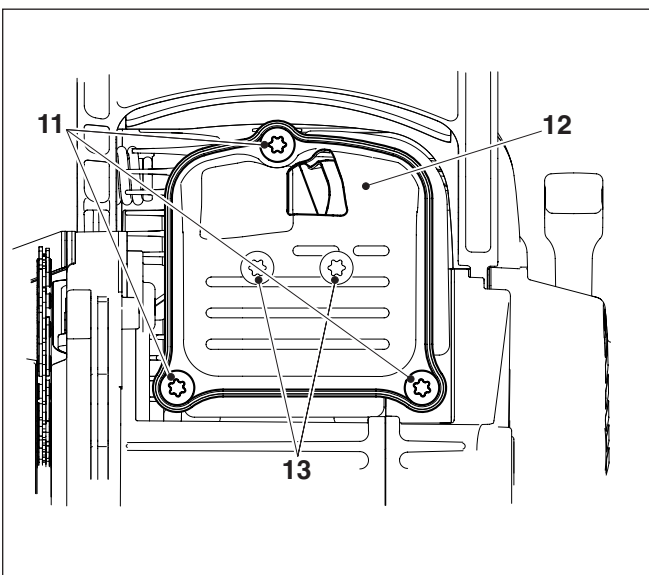


Press the loosened spark plug (9) with the ignition cable firmly connected against the cylinder using insulated pliers (not near the spark plug opening).

Put combination switch (10) in the "ON" position.

Pull the starter cable hard.

If the function is correct, an ignition spark must be visible near the electrodes.



Checking the muffler screws



Unscrew 3 screws (11) and remove the upper half of the muffler (12).

Note: For saw models with catalytic converters (EA3500S, EA3501S), remove the converter along with the upper muffler half.

The screws on the bottom muffler half (13) are now accessible, and it is possible to check them for tightness. If they are loose, tighten by hand (**Caution:** do not over-tighten).

Replacing the starter cable/ Replacing the return spring pack/Replacing the starter spring

Unscrew three screws (1).

Remove fan housing (2).

Remove the air guide (3) from the fan housing.

CAREFUL! Injury hazard! Do not unscrew screw (7) if the return spring is under tension.

If the starter cable is to be replaced although it is not broken, it will be necessary to first de-tension the cable drum return spring (13).

To do this, use the grip to pull the cable all the way out of the fan housing.

Hold the cable drum with one hand, and with the other push the cable into the space (14).

Carefully let the drum turn until the return spring is no longer under tension.

Unscrew screw (7) and remove the driver (8) and spring (6).

Carefully remove the cable drum.

Remove any cable pieces.

Thread a new cable (dia. 3 mm, length 900 mm) as shown in the illustration (don't forget the washer (10)) and knot both ends as shown.

Pull knot (11) into the cable drum (5).

Pull knot (12) into the starter grip (9).

Put the drum on its spindle and turn it slightly until the return spring engages.

Place the spring (6) in the driver (8) and place them together in the cable drum (5) while turning slightly counter-clockwise.

Insert screw (7) and tighten.

Guide the cable into the slot (14) on the cable drum and turn the drum with the cable clockwise three times.

Hold the cable drum with your left hand and untwist the cable with your right hand, pull it tight and hold it.

Carefully release the cable drum. The spring will wind the cable around the drum.

Repeat the procedure once. The starter grip should now stand straight up on the fan housing.

NOTE: With the cable pulled all the way out, it must still be possible to turn the pulley another 1/4 turn against the return spring.

CAUTION: Danger of injury! Secure the cable grip when pulled out! It will whip back if the cable pulley is released by accident.

Replacing the return spring pack

Disassemble the fan housing and cable drum (see above).

CAREFUL! Injury hazard! The return spring can pop out! Always wear eye protection and protective gloves!

Lightly tap the fan housing on a wooden surface with the entire surface of the hollow side, and **hold it down**. Now lift the fan housing **carefully and in small steps**. This will allow the return spring pack (13), which should now have fallen out, to relax in a controlled manner if the return spring has popped out of the plastic pack.

Carefully insert a new return spring cassette and press down until it engages.

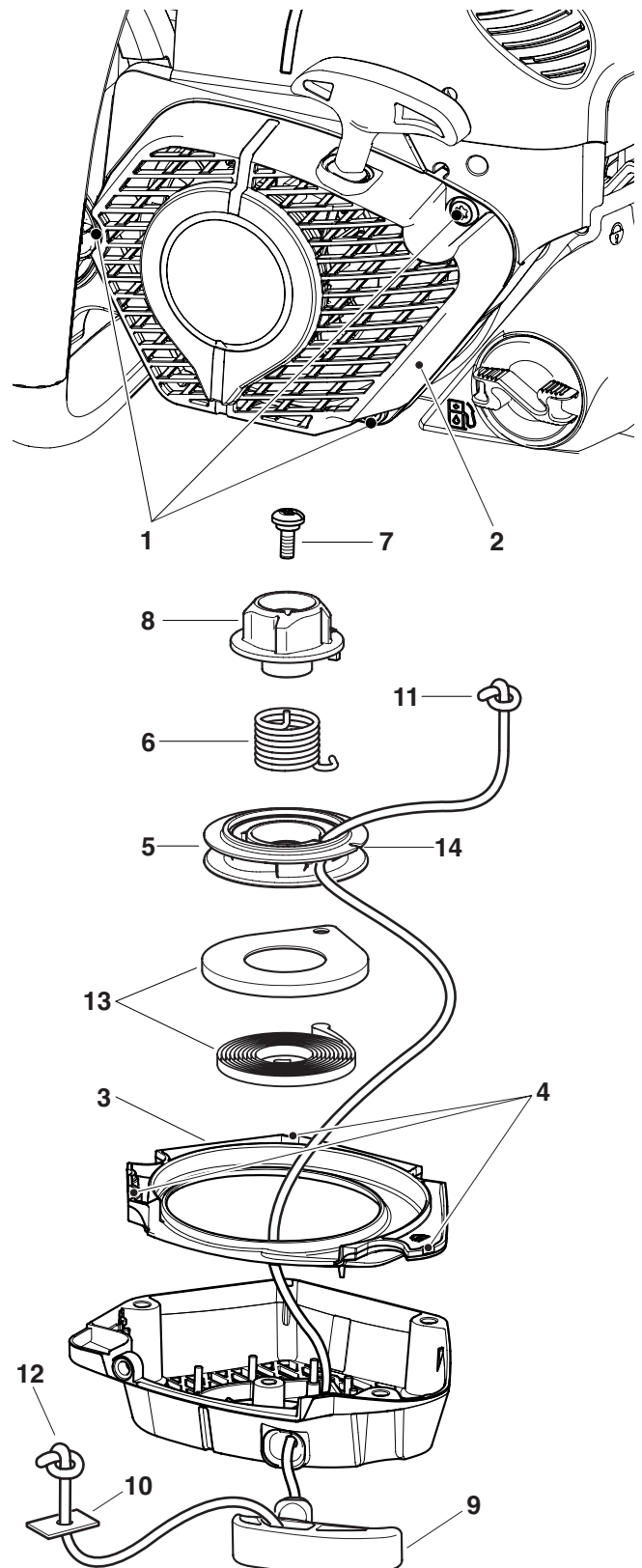
Place the cable drum on it and turn it slightly until the return spring engages.

Install the spring (6) and driver (8) and screw on tight with screw (7).

Tension the spring (see above).

Replacing the starter spring

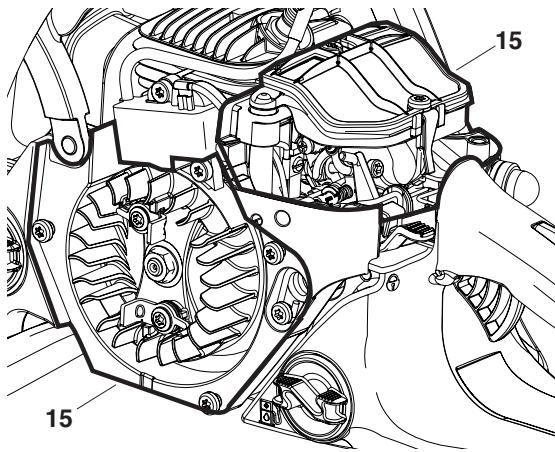
NOTE: If the spring (6) in the Featherlight-Starting system is broken, more effort will be required to start the engine and you will notice some resistance when pulling the starter cable. If you notice this, check the spring (6) and replace if necessary.



Mounting the fan housing

Insert the air guide (3) in the fan housing so that the three recesses (4) engage.

Position the fan housing against the housing, press against it lightly and pull the starter grip until the starter engages. Tighten screws (1).



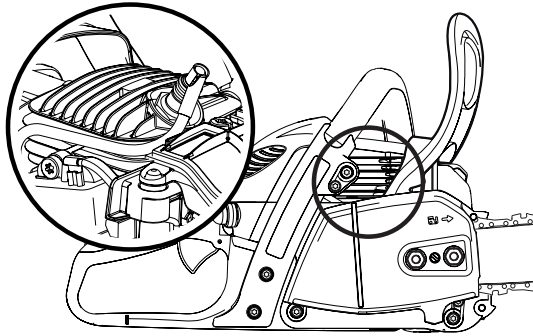
Cleaning the air filter compartment/fan compartment



Remove cover.
Remove the fan housing.

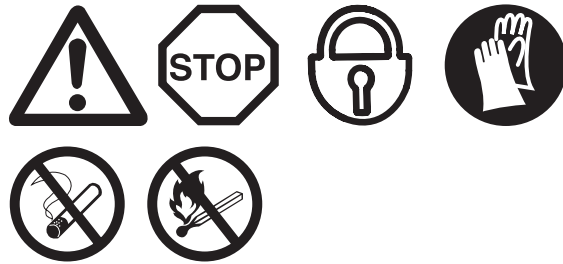
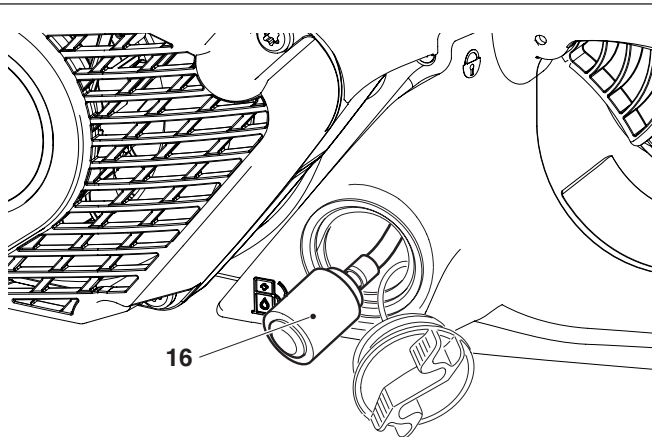
CAUTION: To prevent eye injury, always wear eye protection when cleaning the filter with compressed air!

The entire area (15) can now be brushed clean or cleaned with compressed air.



Cleaning the cylinder fins

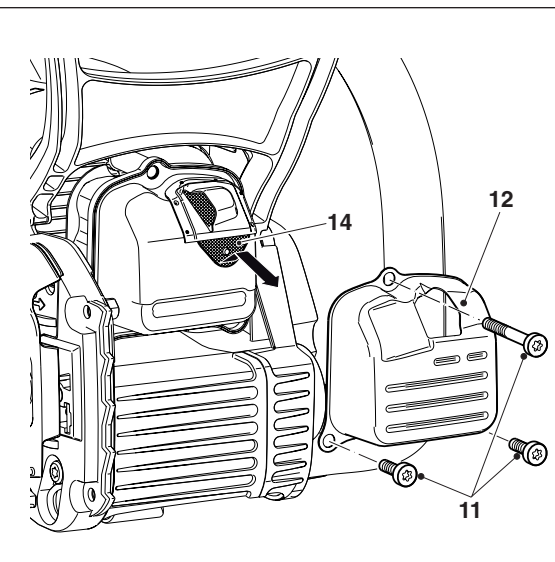
A bottle brush can be used to clean the cylinder fins.



Replacing the suction head

The felt filter (16) of the suction head can become clogged. It is recommended to replace the suction head once every three months in order to ensure unimpeded fuel flow to the carburetor.

To remove the suction head for replacement, pull it out through the tank filler neck using a piece of wire bent at one end to form a hook.



Replacing/cleaning the spark arrester screen



The spark arrester screen should be checked and cleaned regularly.

Unscrew 3 screws (11) and remove the upper half of the muffler (12) and then the spark arrester screen (14).

Caution: Do not use sharp or pointed objects for screen cleaning. Damaged or misformed screen wires may result. Reassemble the spark arrester screen and the upper muffler half, and then tighten the screws.

Instructions for periodic maintenance

To ensure long life, prevent damage and ensure the full functioning of the safety features the following maintenance must be performed regularly. Guarantee claims can be recognized only if this work is performed regularly and properly. Failure to perform the prescribed maintenance work can lead to accidents!

The user of the chain saw must not perform maintenance work which is not described in the instruction manual. All such work must be carried out by a MAKITA service center.

			Page
General	Chain saw	Clean exterior, check for damage. In case of damage, have repaired by a qualified service center immediately	31
	Saw chain	Sharpen regularly, replace in good time	
	Chain brake	Have inspected regularly at an authorized service center	20, 22, 25
	Guide bar	Turn over to ensure even wear of bearing surfaces Replace in good time	
	Starter cable	Check for damage. Replace if damaged.	37
Before each start	Saw chain	Inspect for damage and sharpness	31
		Check chain tension	20, 22, 25
	Guide bar	Check for damage	
	Chain lubrication	Functional check	28
	Chain brake	Functional check	30
	Combination switch, Safety locking button, Throttle lever	Functional check	29
	Fuel/oil tank cap	Check for tightness and leakages	
Every day	Air filter	Clean (several times daily if necessary)	35
	Guide bar	Check for damage, clean oil intake bore	33
	Guide bar support	Clean, in particular the oil guide groove	28, 33
	Idle speed	Check (chain must not run)	30
Every week	Fan housing	Clean to maintain good cooling air flow.	16
	Air filter compartment	Clean to maintain good cooling air flow.	38
	Fan compartment	Clean to maintain good cooling air flow.	38
	Cylinder fins	Clean to maintain good cooling air flow.	38
	Spark plug	Check and replace if necessary	36
	Muffler	Check tightness of mounting, Check screws	16, 36
	Chain guide	Check	
	Screws and nuts	Check their condition and that they are firmly secured.	
	Spark arrester screen	Clean and replace if necessary	38
Every 3 months	Fuel filter	Replace	38
	Fuel, oil tanks	Clean	
Annually	Chain saw	Check at an authorized service center	
Storage	Chain saw	Clean exterior, check for damage. In case of damage, have repaired by a qualified service center immediately	33
	Guide bar/chain	Demount, clean and oil slightly Clean the guide groove of the guide bar	
	Fuel, oil tanks	Empty and clean	
	Carburetor	Run empty	

Service, spare parts and guarantee

Maintenance and repair

The maintenance and repair of modern engines as well as all safety devices require qualified technical training and a special workshop equipped with special tools and testing devices.


Any work not described in this Manual may be performed only by a MAKITA service center.

The MAKITA service centers have all the necessary equipment and skilled and experienced personnel, who can work out cost-effective solutions and advise you in all matters.

Repair attempts by third parties or unauthorized persons will void all warranty claims.

Please contact your nearest service center.

Spare parts

Reliable long-term operation, as well as the safety of your chain saw, depend among other things on the quality of the spare parts used. Use only original MAKITA parts, marked 

Only original spare parts and accessories guarantee the highest quality in material, dimensions, function and safety.

Original spare parts and accessories can be obtained from your local dealer. He will also have the spare part lists to determine the required spare part numbers, and will be constantly informed about the latest improvements and spare part innovations.

Please bear in mind that if parts other than original MAKITA spare parts are used, this will automatically invalidate the MAKITA product guarantee.

Guarantee


MAKITA guarantees the highest quality and will therefore reimburse all costs for repair by replacement of damaged parts resulting from material or production faults occurring within the guarantee period after purchase. Please note that in some countries particular guarantee conditions may exist. If you have any questions, please contact your salesman, who is responsible for the guarantee of the product.

Please note that we cannot accept any responsibility for damage caused by:

- Disregard of the instruction manual.
- Non-performance of the required maintenance and cleaning.
- Incorrect carburetor adjustment.
- Normal wear and tear.
- Obvious overloading due to permanent exceeding of the upper performance limits.
- Use of guide bars and chains which have not been approved.
- Use of guide bar and chain lengths which have not been approved.
- Use of force, improper use, misuse or accidents.
- Damage from overheating due to dirt on the fan housing.
- Work on the chain saw by unskilled persons or inappropriate repairs.
- Use of unsuitable spare parts or parts which are not original MAKITA parts, insofar as they have caused the damage.
- Use of unsuitable or old oil.
- Damage related to conditions arising from lease or rent contracts.
- Damages caused by disregarding loose outer bolted connections.

Cleaning, servicing and adjustment work is not covered by the guarantee. All repairs covered by the guarantee must be performed by a MAKITA service center.

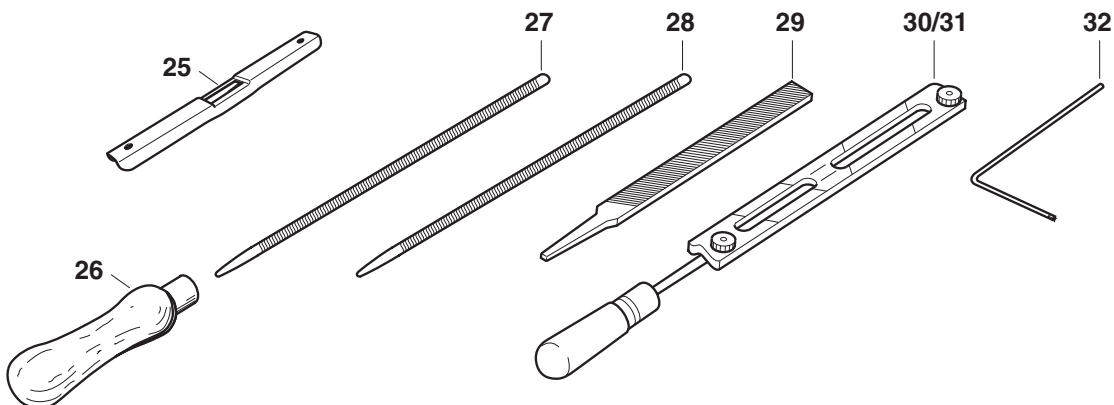
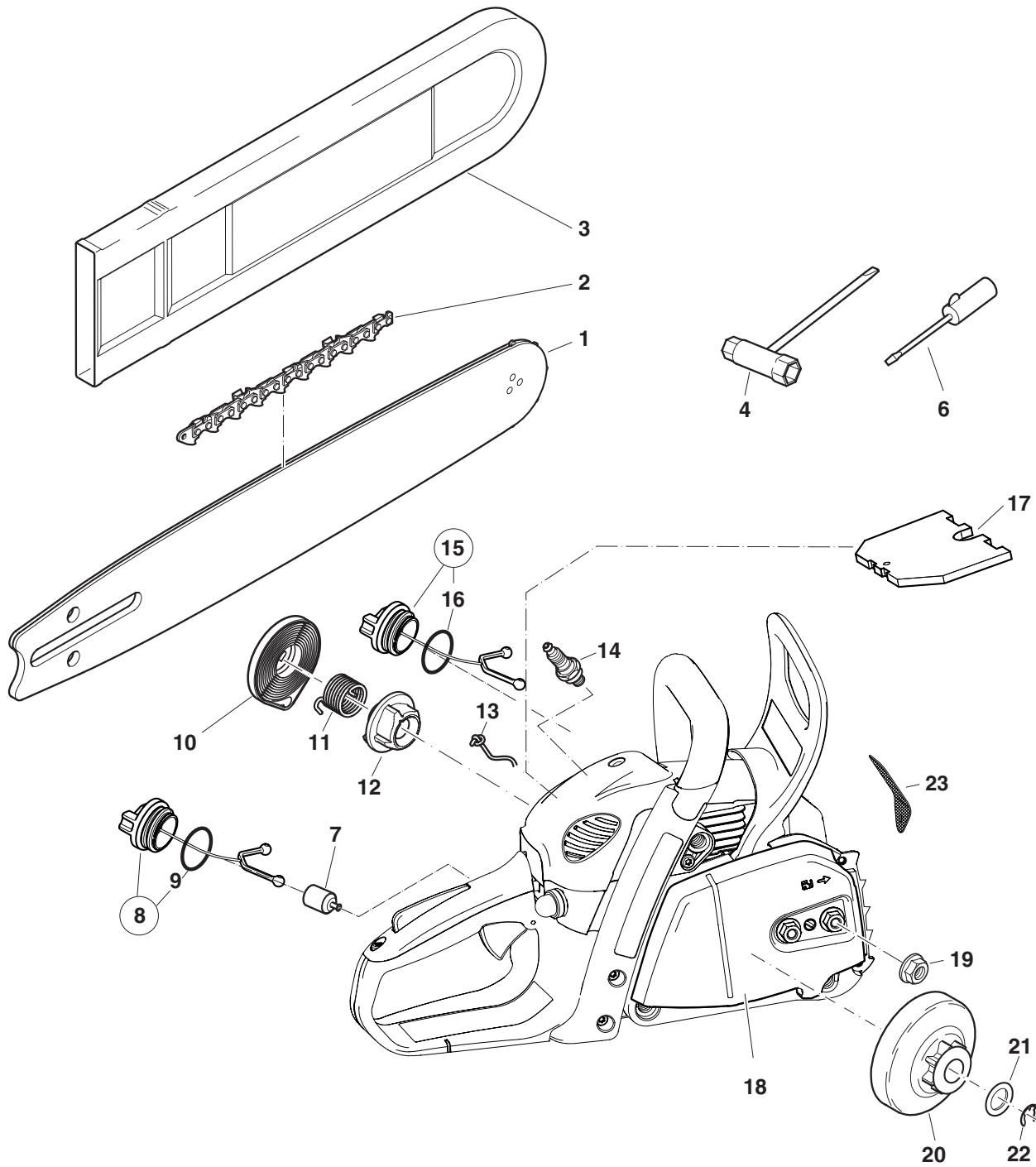
Trouble shooting

Malfunction	System	Observation	Cause
Chain does not run	Chain brake	Engine runs	Chain brake actuated.
Engine does not start or only with difficulty	Ignition system	Ignition spark	Malfunction in fuel supply system, compression system, mechanical malfunction.
		No ignition spark	STOP switch in  position, fault or short-circuit in the wiring, Spark plug cap or spark plug defective.
	Fuel supply	Fuel tank is filled	Combination switch in Choke position, carburetor defective, suction head dirty, fuel line bent or interrupted.
	Compression system	Inside	Cylinder base packing ring defective, radial shaft packings defective, cylinder or piston rings defective.
Outside		Spark plug does not seal.	
Mechanical malfunction	Starter does not engage	Spring in starter broken, broken parts inside the engine.	
Warm start difficulties	Carburetor	Fuel tank is filled Ignition spark	Wrong carburetor adjustment.
Engine starts, but dies immediately	Fuel supply	Fuel tank is filled	Wrong idling adjustment, suction head or carburetor dirty. Tank venting defective, fuel line interrupted, cable defective, Combination switch defective.
Insufficient power	Several systems may be involved simultaneously	Engine is idling	Air filter dirty, wrong carburetor adjustment, muffler clogged, exhaust channel in cylinder clogged, spark arrester screen clogged.
No chain lubrication	Oil tank/pump	No oil on the chain	Oil tank empty. Oil guide groove dirty. Oil-pump adjusting screw incorrectly adjusted.

Extract from the spare parts list

Use only original MAKITA parts. For repairs and replacement of other parts, see your MAKITA service center.

EA3500S
EA3501S



Extract from the spare parts list

Use only original MAKITA parts. For repairs and replacement of other parts, see your MAKITA service centre.

EA3500S
EA3501S



Pos.	Denomination	Accessories (not delivered with the chain saw)	
1	Sprocket nose bar 3/8", 30 cm, 1.3 mm (12")	25	Chain gauge
	Sprocket nose bar 3/8", 35 cm, 1.3 mm (14")	26	File handle
	Sprocket nose bar 3/8", 40 cm, 1.3 mm (16")	27	Round file, dia. 4.5 mm
2	Saw chain 3/8" for 30 cm, 1.3 mm	28	Round file, dia. 4.0 mm
	Saw chain 3/8" for 35 cm, 1.3 mm	29	Flat file
	Saw chain 3/8" for 40 cm, 1.3 mm	30	File holder (with round file dia. 4.5 mm)
		31	File holder (with round file dia. 4.0 mm)
1	Sprocket nose bar 3/8", 30 cm, 1.1 mm (12")	32	Offset screwdriver
	Sprocket nose bar 3/8", 35 cm, 1.1 mm (14")		
2	Saw chain 3/8" for 30 cm, 1.1 mm	-	Combined can (for 5l fuel, 3l chain oil)
	Saw chain 3/8" for 35 cm, 1.1 mm		
1	Sprocket nose bar 3/8", 30 cm, 1.3 mm (12")		
	Sprocket nose bar 3/8", 35 cm, 1.3 mm (14")		
	Sprocket nose bar 3/8", 40 cm, 1.3 mm (16")		
2	Saw chain 3/8" for 30 cm, 1.3 mm		
	Saw chain 3/8" for 35 cm, 1.3 mm		
	Saw chain 3/8" for 40 cm, 1.3 mm		
1	Sprocket nose bar 3/8", 30 cm, 1.1 mm (12")		
	Sprocket nose bar 3/8", 35 cm, 1.1 mm (14")		
2	Saw chain 3/8" for 30 cm, 1.1 mm		
	Saw chain 3/8" for 35 cm, 1.1 mm		
3	Chain protector for 30-35 cm (3/8")		
	Chain protector for 40 cm (3/8")		
4	Universal wrench SW 16/13		
6	Carburetor screwdriver		
7	Suction head		
8	Fuel tank cap, cpl.		
9	O-Ring 29.3 x 3.6 mm		
10	Return spring pack, complete		
11	Spring		
12	Driver		
13	Starter cable 3 x 900 mm		
14	Spark plug		
15	Oil tank cap, cpl.		
16	O-Ring 29.3 x 3.6 mm		
17	Air filter		
18	Sprocket guard, cpl.		
	Sprocket guard (with fast tensioner), complete		
19	Hexagonal nut M8		
20	Clutch drum cpl. 3/8", 6-tooth		
21	Shim washer		
22	Circlip		
23	Spark arrester screen		

AVERTISSEMENT!

Une utilisation négligente ou incorrecte de ce produit peut entraîner des blessures graves ou mortelles! Avant d'utiliser une tronçonneuse ou d'autres produits MAKITA, il est important que vous ayez lu et entièrement compris et que vous suiviez avec soin les instructions fournies par le présent mode d'emploi.

Le retour de chaîne peut entraîner des blessures graves ou mortelles et constitue l'un des nombreux dangers potentiels liés à l'utilisation d'une tronçonneuse. Ce mode d'emploi décrit de façon détaillée le retour de chaîne et les autres mesures de sécurité. D'autres exemplaires de ce mode d'emploi peuvent être commandés auprès de www.makitausa.com et 1-800-4-MAKITA (462-5482) et MAKITA CANADA INC., 1950 Forbes Street, Whitby, Ontario, L1N 7B7, Canada, Telephone: (905) 571 22 00.

Ce produit est en conformité avec: la norme de sécurité pour tronçonneuses B 175.1-2012 de l'American National Standard Institute,
la norme de sécurité pour tronçonneuses Z62.1-15 de la Canadian Standards Association,
la norme relative au choc de recul pour tronçonneuses Z62.3-11.
Société du génie automobile
SAEJ 335-Juin 95 « Petit système d'échappement portable ne produisant aucune étincelle ».

Ce système d'allumage par étincelle de véhicule est conforme à la norme NMB-002 du Canada. La période de conformité relative aux émissions indiquée sur le label de conformité à la réglementation relative aux émissions indique le nombre d'heures de service pendant lesquelles le moteur s'est avéré répondre aux exigences d'émissions nationales. Catégorie C=50 heures, B=125 heures, et A=300 heures.

Cette tronçonneuse est un produit allemand de qualité. Ce mode d'emploi contient des instructions importantes pour son montage et son utilisation. Pour votre sécurité, lisez très soigneusement les instructions de prévention des accidents avant de mettre en service votre tronçonneuse car une utilisation incorrecte peut, malgré toutes les précautions prises, entraîner des accidents. Avec un peu de soin et d'attention, ce produit de toute première qualité vous rendra d'excellents services et vous donnera entière satisfaction pendant très longtemps.

AVERTISSEMENT

Le système d'allumage de cette machine génère un champ électromagnétique qui peut perturber le fonctionnement de certains dispositifs médicaux, comme les stimulateurs cardiaques, par exemple. Afin de réduire le risque de blessures graves ou mortelles, les personnes portant un dispositif médical doivent contacter leur médecin et le fabricant du dispositif avant de mettre la machine en service.



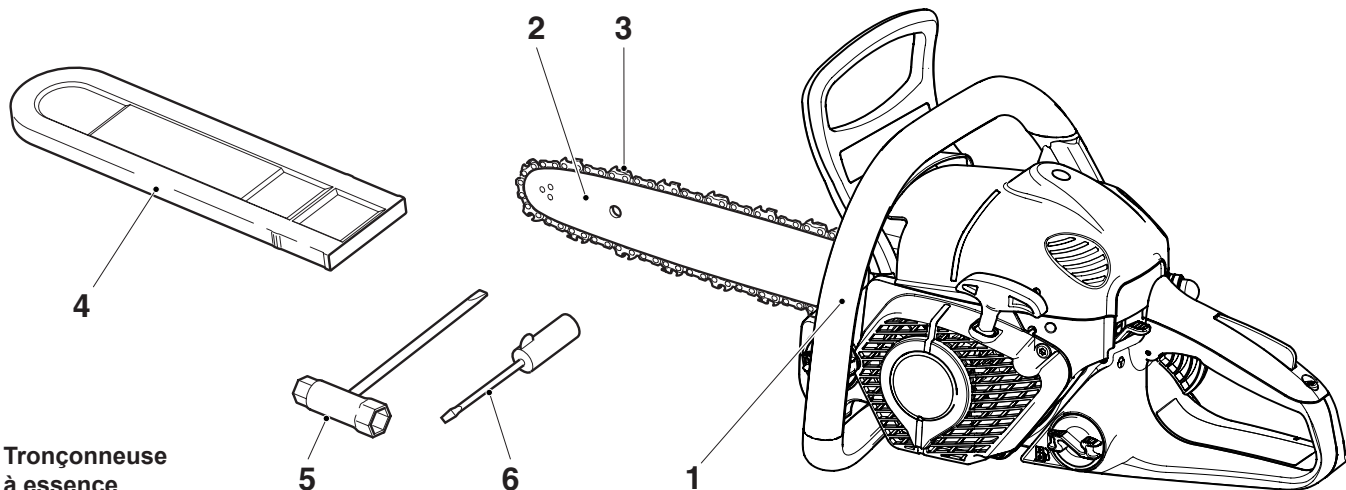
EA3500S, EA3501S

Sommaire	page	Sommaire	page
Etendue de la fourniture	45	Démarrer le moteur	71
Symboles	45	Démarrage à froid	71
Mesures de sécurité	46	Démarrage à chaud.....	71
Désignation des pièces	58	Arrêter le moteur	71
Caractéristiques techniques	59	Vérifier le frein de chaîne	72
MISE EN ROUTE		Réglage du carburateur.....	72
Uniquement pour les modèles munis d'écrous de fixation sur le protège-pignon (EA3500S)		TRAVAUX DE MAINTENANCE	
Montage du guide et de la chaîne de sciage.....	60	Affûtage de la chaîne de sciage	73
Tendre la chaîne de sciage	61	Nettoyage de l'intérieur du pignon.....	75
Contrôle de la tension de la chaîne	62	Nettoyer le guide de la chaîne.....	75
Retendre la chaîne de sciage.....	62	Nouvelle chaîne de sciage	76
Seulement pour guide QuickSet		Nettoyage du filtre d'air	77
Montage du guide et de la chaîne de sciage.....	63	Remplacement de bougie	78
Tendre la chaîne.....	64	Vérification de l'étincelle d'allumage	78
Contrôle de la tension de la chaîne	64	Vérification des vis du silencieux.....	78
Retendre la chaîne	64	Remplacement du cordon de lancement /	
Uniquement pour les modèles munis d'un tendeur rapide sur le protège-pignon (EA3501S)		Remplacer la cassette de ressort de rappel /	
Montage du guide et de la chaîne de sciage.....	65	Remplacer le ressort de démarrage.....	79
Tendre la chaîne de sciage	66	Nettoyage du compartiment du filtre à air /	
Contrôle de la tension de la chaîne	67	du compartiment du ventilateur	80
Retendre la chaîne	67	Nettoyage des ailettes de cylindre	80
Pour tous les modèles		Remplacement de la crépine d'aspiration	80
Frein de chaîne	67	Changement / nettoyage du pare-étincelles.....	80
Carburants.....	68	Indications de maintenance et d'entretien	
Huile de chaîne de sciage	68	périodiques.....	81
Remplissage des réservoirs	69	Service d'atelier, pièces de rechange et garantie.....	82
Vérifier le graissage de la chaîne	70	Recherche de pannes	83
Réglage du graissage de la chaîne.....	70	Extrait de la liste des pièces de rechange	84

Les tronçonneuses EA3500S, EA3501S sont livrées dans un carton qui les protège des dommages dus au transport. Le carton est une matière première de base qui peut être réutilisée ou recyclée (recyclage des vieux papiers).



Etendue de la fourniture



1. Tronçonneuse à essence
2. Guide
3. Chaîne
4. Housse de protection du rail
5. Outillage de montage
6. Tournevis pour le réglage du carburateur
7. Instructions d'emploi et de sécurité (sans illustration)

Si un des composants indiqués ici ne devait pas être dans la fourniture, veuillez vous adresser à votre vendeur!

REMARQUE : Le guide, la chaîne et la housse de protection du rail pourraient ne pas faire partie des accessoires de base dans certains pays.

Symboles

Vous rencontrerez les symboles suivants sur l'appareil et dans les instructions d'emploi:

	Lire instructions d'emploi et suivre les consignes de sécurité et d'avertissement!		Attention, choc de recul (Kickback)
	Danger et attention particuliers!		Frein de chaîne
	Interdit!		Mélange carburant
	Porter le casque, les lunettes et acoustiques de protection!		Réglage du carburateur
	Porter des gants de protection!		Huile pour chaîne de sciage
	Interdiction de fumer!		Vis de réglage pour l'huile de chaîne de sciage
	Pas de feu ouvert!		Premier secours
	Arrêter le moteur!		Ne touchez pas les surfaces chaudes!
	Démarrer le moteur		Recyclage
	Bouton multi-position Starter/ON/Stop		
	Position de sécurité		

Symboles additionnels voir page 47.

Mesures de sécurité à respecter par les utilisateurs de tronçonneuses

Lorsque vous utilisez la tronçonneuse, veuillez respecter les règles suivantes :

- Évitez tout contact entre la pointe du guide et tout objet.
- Le contact de la pointe peut entraîner un déplacement brutal du guide vers le haut et vers l'arrière et être à l'origine de blessures graves ou mortelles.

AVERTISSEMENT !

Lisez et respectez toutes les mesures de sécurité indiquées dans le mode d'emploi. Le non-respect des instructions peut avoir pour conséquence des blessures graves. Ne prêter des tronçonneuses qu'à des utilisateurs ayant une expérience avec les tronçonneuses à chaîne. Dans ce cas, les instructions d'emploi et de sécurité doivent être remises au prêteur.

AVERTISSEMENT !

Cette tronçonneuse est capable de violents retours de chaîne qui peuvent blesser gravement l'utilisateur. N'utilisez cette tronçonneuse que si vous avez besoin de procéder à des travaux intensifs et si vous disposez d'une expérience et d'une formation vous permettant de maîtriser le choc de recul. Il existe des tronçonneuses à risque de choc de recul réduit.

Précautions de sécurité contre le rebond

AVERTISSEMENT !

Le rebond peut se produire lorsque la partie de la chaîne située dans la partie supérieure de la pointe du guide-chaîne touche un objet ou que la fente pratiquée dans le bois se referme et coince la chaîne. Dans certains cas, le contact de la pointe peut entraîner un retour fulgurant du guide-chaîne en direction de l'opérateur. Si la chaîne est coincée au niveau de la partie supérieure du guide-chaîne, celui-ci peut être projeté très violemment vers l'opérateur. Chacune de ces deux réactions peut vous faire perdre le contrôle de la tronçonneuse et entraîner de graves blessures. Ne vous en remettez pas uniquement aux dispositifs de sécurité de votre tronçonneuse. En tant qu'utilisateur de la tronçonneuse, vous devez prendre plusieurs mesures pour éviter les accidents et les blessures.

- Si vous avez des notions de base sur le phénomène du rebond, vous pourrez réduire ou éliminer la surprise qui est un facteur d'accident.
- Tenez toujours fermement la tronçonneuse des deux mains quand le moteur tourne : la main droite tient la poignée arrière, la main gauche la poignée avant. Empoignez fermement les poignées entre le pouce et les autres doigts. En tenant ainsi la tronçonneuse, vous réduirez les forces de rebond et pourrez mieux contrôler la tronçonneuse. Ne relâchez jamais votre prise.
- Assurez-vous qu'il n'y a aucun obstacle dans votre zone de travail. Évitez tout contact entre la pointe du guide-chaîne et un rondin, une branche ou tout autre obstacle qui pourrait être heurté pendant que vous utilisez la tronçonneuse.
- Sciez à régime moteur élevé.
- Ne vous penchez pas trop vers l'avant et ne travaillez pas les bras levés au-dessus du niveau des épaules.
- Respectez les instructions d'affûtage et de maintenance de la chaîne fournies par le fabricant.
- Utilisez uniquement des guide-chaîne et des chaînes de rechange préconisés par le fabricant ou de modèle équivalent.

Précautions de sécurité supplémentaires

Tous les opérateurs de tronçonneuse doivent respecter les consignes de sécurité supplémentaires suivantes :

- Les tronçonneuses sont conçues pour être utilisées des deux mains. N'utilisez jamais une tronçonneuse d'une seule main. Risque de blessures graves pour l'opérateur, ses assistants et les tiers.
- Ayez toujours un extincteur d'incendie à proximité quand vous utilisez une tronçonneuse.
- Démarrez la tronçonneuse dans le respect des instructions du mode d'emploi et tenez la tronçonneuse fermement par

les deux poignées quand elle est en marche. Veillez à ce que les poignées soient toujours propres, sèches, sans restes d'huile ou de mélange carburant.

- N'utilisez pas la tronçonneuse si vous êtes fatigué, car la fatigue entraîne l'inattention. Redoublez donc de prudence avant les pauses et vers la fin de votre poste ou journée de travail.
- Utilisez les vêtements de protection dont le port est exigé par vos organisations de sécurité, par la réglementation ou par votre employeur. Quand vous utilisez une tronçonneuse, portez toujours des vêtements ajustés, des lunettes ou une visière de protection, des chaussures de sécurité et des protections pour les mains, les jambes, la tête et une protection auditive.
Remarque : les vêtements de protection individuels doivent être conformes aux normes CSA et BNQ en vigueur.
- Soyez prudent quand vous manipulez du carburant. Coupez le moteur avant de faire le plein, de faire l'entretien de votre tronçonneuse ou de la transporter. Pour réduire les risques d'incendie, redémarrez votre tronçonneuse à 3 m (10 pieds) au moins de l'endroit où vous avez fait le plein.
- Tenez les autres personnes et les animaux à distance suffisante de la tronçonneuse en marche ou de la zone d'abattage.
- Assurez-vous d'avoir toujours les pieds bien ancrés au sol et utilisez la tronçonneuse seulement lorsque vous vous trouvez sur une surface stable, sûre et droite, et assurez-vous d'avoir prévu le trajet à emprunter pour échapper à la chute de l'arbre.
- Tenez toutes les parties du corps à distance de la chaîne quand le moteur tourne.
- Avant de démarrer le moteur, assurez-vous que la chaîne ne touche aucun objet.
- Portez toujours la tronçonneuse moteur coupé, en la tenant par la poignée avant, le guide-chaîne et la chaîne vers l'arrière et le silencieux du côté opposé à votre corps.
- Utilisez toujours le couvre-chaîne approprié quand vous transportez l'outil, l'entreposez ou s'il n'est pas utilisé. Le couvre-chaîne doit s'adapter parfaitement au guide-chaîne de la tronçonneuse et le couvrir entièrement.
- N'utilisez jamais une tronçonneuse endommagée, incorrectement réglée ou qui n'est pas entièrement et correctement assemblée. Assurez-vous que la chaîne s'arrête quand vous relâchez l'accélérateur. Ne réglez jamais le guide-chaîne ou la chaîne pendant que le moteur tourne.
- Coupez le moteur avant de reposer la tronçonneuse.
- Soyez extrêmement prudent quand vous coupez de petites broussailles ou de jeunes arbres, car les branches fines peuvent se prendre dans la chaîne et être projetées vers vous ou vous faire perdre l'équilibre.
- Quand vous coupez une branche sous tension, soyez prêt à reculer pour ne pas être frappé quand la tension des fibres du bois se relâchera.
- Lors de l'abattage, veillez à ce que les personnes ou les animaux soient au moins à deux longueurs d'arbre de votre poste de travail.
- Attention au risque d'intoxication au monoxyde de carbone. Utilisez toujours la tronçonneuse dans des zones bien ventilées.
- Laissez la tronçonneuse refroidir avant de faire le plein de carburant et ne fumez pas.
- N'essayez pas d'élaguer ou d'émonder un arbre sur pied sauf si vous avez été spécialement formé à cet effet.
- Toutes les opérations d'entretien de la tronçonneuse autres que celles figurant dans le mode d'emploi doivent être effectuées par des professionnels compétents spécialistes de l'entretien des tronçonneuses. (Par exemple, l'utilisation d'outillage inapproprié pour déposer le volant ou pour tenir le volant afin de dégager l'embrayage peut endommager le volant, qui pourrait ensuite éclater.)
- Cette tronçonneuse à essence est classée par le CSA comme tronçonneuse de classe 1A. C'est une tronçonneuse professionnelle destinée à être utilisée par des opérateurs formés à cet effet, utilisant la tronçonneuse de manière quotidienne pendant de longues périodes.
- Tenez la tronçonneuse par ses surfaces de prise isolées seulement, car la chaîne de sciage pourrait venir en contact avec un câblage dissimulé.

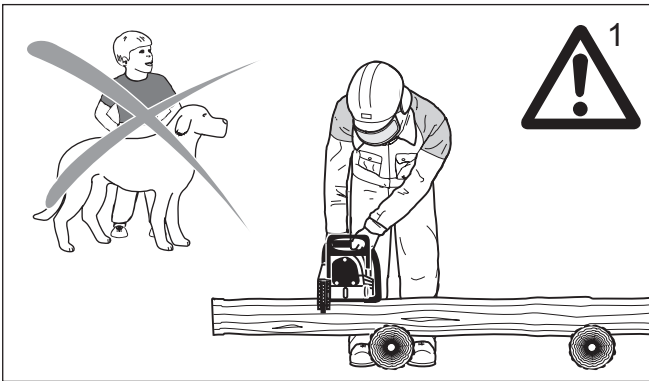
Mesures générales de sécurité

L'utilisation de toute tronçonneuse peut être dangereuse. A plein régime, la chaîne peut atteindre une vitesse de 45 mph (20 m/s).

Il est important que vous ayez lu et entièrement compris et que vous suiviez les mesures de sécurité et les mises en garde suivantes. Relisez de temps en temps le mode d'emploi et les instructions de sécurité.

AVERTISSEMENT!

Les forces de réaction, y compris le choc de recul, peuvent être dangereuses. Une utilisation négligente ou incorrecte de toute tronçonneuse peut entraîner des blessures graves ou mortelles. Demandez à votre revendeur MAKITA de vous montrer comment utiliser la tronçonneuse. Respectez l'ensemble des règlements, normes et arrêtés de sécurité localement en vigueur.



AVERTISSEMENT!

L'utilisation d'une tronçonneuse doit être interdite aux mineurs.

Il faut éloigner les spectateurs, en particulier les enfants et les animaux, de la zone d'utilisation de la tronçonneuse (fig. 1).

Ne laissez jamais la tronçonneuse fonctionner sans surveillance.

Conservez-la sous clé hors de portée des enfants. Videz le réservoir de carburant et réservoir d'huile (cf. stockage de la tronçonneuse).

Ne prêtez pas votre tronçonneuse sans ce mode d'emploi. Assurez-vous que toute personne utilisant votre tronçonneuse a bien compris les informations fournies.

L'utilisation correcte d'une tronçonneuse dépend :

1. de l'utilisateur
2. de la tronçonneuse
3. de l'utilisation qui est faite de la tronçonneuse.

Description des symboles figurant sur les tronçonneuses:



CSA normes
Classe 1A

Z62.1-15
Z62.3-11

ANSI norme

B175.1-2012



Angle maximum de choc de recul calculé (CKA)* sans frein de chaîne, avec les combinaisons de barre et de chaîne recommandées (ici, l'angle CKA est de 45°).



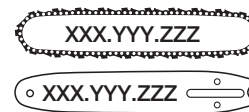
Angle maximum de choc de recul calculé (CKA)* avec frein de chaîne, avec les combinaisons de barre et de chaîne recommandées (ici, l'angle CKA est de 40°).



Il faut éviter tout contact de la pointe du guide avec un objet quelconque. Le contact de la pointe peut entraîner un déplacement brutal du guide vers le haut et vers l'arrière et être à l'origine de blessures graves ou mortelles.



Il faut toujours utiliser la tronçonneuse en la tenant des deux mains!



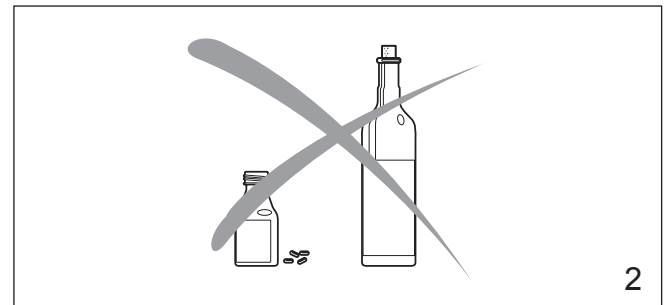
Combinaison réduite entre barre de recul et chaîne évaluée avec le moteur pour obtenir une protection contre le recul (selon normes ANSI et CSA).

* L'angle de choc de recul calculé est une valeur calculée à partir d'énergies mesurées sur un banc d'essai. Ce n'est pas l'angle du guide remontant en cas de CHOC DE RECUL.

L'utilisateur

Condition physique

Vous devez être en bonne forme physique et mentale et n'être sous l'influence d'aucune substance (stupéfiants, alcool) pouvant diminuer votre acuité visuelle, votre habileté ou votre jugement.



AVERTISSEMENT!

L'utilisation prolongée de tronçonneuses expose l'utilisateur à des vibrations qui peuvent entraîner l'apparition de la maladie de Raynaud. Cette maladie se manifeste par une réduction de la sensibilité et de la régulation de la température au niveau des mains, par des engourdissements et des brûlures. Elle peut également entraîner des lésions nerveuses et circulatoires et une nécrose des tissus.

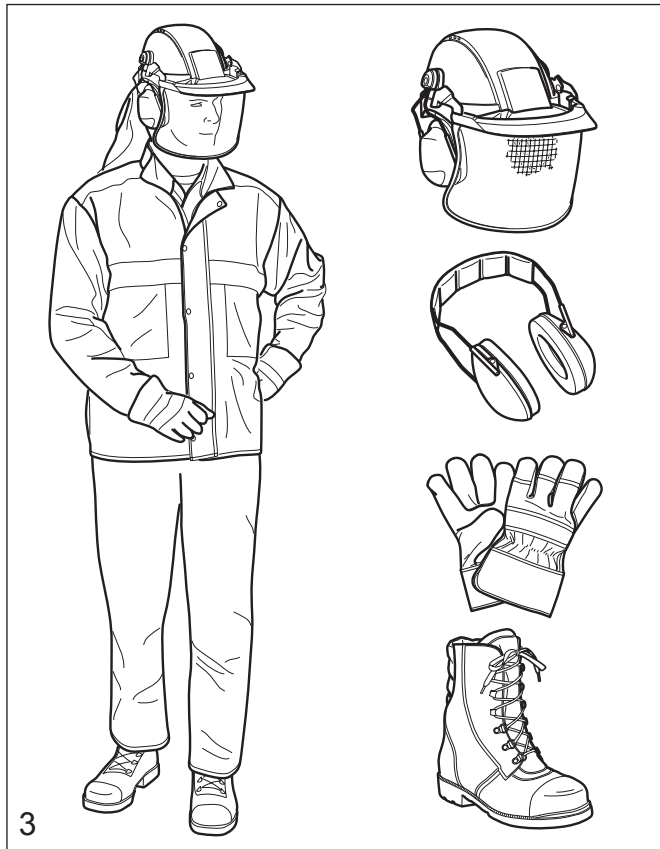
Toutes les tronçonneuses MAKITA sont donc munies d'un système antivibration qui est très important pour les personnes utilisant des tronçonneuses de façon régulière ou prolongée. Les systèmes antivibration ne garantissent pas que vous n'aurez pas la maladie de Raynaud mais elles en réduisent considérablement le risque. Les personnes utilisant une tronçonneuse de façon continue et régulière doivent toutefois examiner leur mains et leurs doigts et, si elles constatent des symptômes anormaux, consulter immédiatement un médecin.

Quels vêtements porter?

L'utilisateur doit porter des vêtements robustes et ajustés mais qui lui laissent une complète liberté de mouvement. Évitez les vestes amples, les écharpes, les cravates, les bijoux, les pantalons à pattes d'éléphant ou à revers ou quoi que ce soit qui puisse se prendre dans la tronçonneuse ou les broussailles.

Portez une combinaison ou des jeans munis de renforts de protection contre la coupe (fig. 3).

Portez des gants de sécurité lorsque vous manipulez la tronçonneuse et la chaîne. Les gants antidérapants très résistants améliorent votre prise et protègent vos mains.



Pour travailler avec la tronçonneuse, il est important d'avoir une position stable au sol. Portez des chaussures montantes robustes munies de semelles antidérapantes. Il est conseillé de porter des chaussures de sécurité à embout acier.

Il est absolument indispensable de protéger correctement les yeux. Il est conseillé d'utiliser des lunettes antibuée ventilées et un evisière pour réduire le risque de blessure aux yeux et au visage.

Protégez-vous la tête en portant un casque de sécurité approprié. Le bruit de la tronçonneuse peut entraîner des lésions de l'ouïe. Utilisez donc toujours une protection antibruit (bouchons ou casque antibruit).

Les personnes utilisant une tronçonneuse de façon continue et régulière doivent faire examiner régulièrement leur acuité auditive.

De la poussière peut se dégager en sciant du bois sec. Porter un masque de protection anti-poussières adéquat.



La tronçonneuse

Pièces composant la tronçonneuse : cf. les illustrations et les descriptions de la page 58.

AVERTISSEMENT!

Ne modifiez jamais une tronçonneuse de quelque façon que ce soit. Seuls les accessoires fournis par MAKITA ou expressément agréés par MAKITA pour une utilisation avec la tronçonneuse spécifiée sont autorisés.

AVERTISSEMENT!

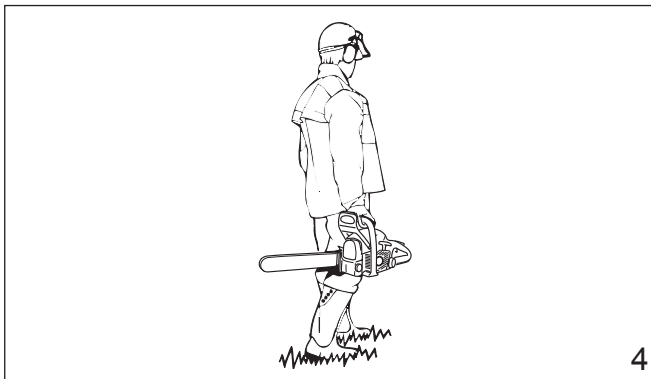
Les guides à étrier augmentent de façon importante le risque de choc de recul et donc de blessure grave ou mortelle en raison de la plus grande zone de choc de recul de la conception à étrier. Les guides à étrier ne sont pas conseillés pour les tronçonneuses MAKITA et il ne sont pas agréés par la norme de sécurité pour tronçonneuses ANSI B175.1-2012.

Utilisation de la tronçonneuse

Transport de la tronçonneuse

AVERTISSEMENT!

Il faut toujours arrêter le moteur avant de déposer ou de porter la tronçonneuse. Il est très dangereux de porter la tronçonneuse avec le moteur en marche. Une accélération intempestive du moteur peut mettre la chaîne en marche. Évitez de toucher le pot d'échappement (risque de brûlure).



Transport à la main: lorsque vous portez votre tronçonneuse à la main, le moteur doit être arrêté et la tronçonneuse doit être en position correcte. La protection de la chaîne doit être mise et le guide doit être orienté vers l'arrière. Lorsque vous portez la tronçonneuse, le guide doit être derrière vous (fig. 4).

Dans un véhicule: lors du transport de la tronçonneuse dans un véhicule, la chaîne et le guide doivent être recouverts avec la protection. Fixez correctement la tronçonneuse pour l'empêcher de se renverser et éviter les fuites de carburant et les détériorations de la tronçonneuse. Assurez-vous que la tronçonneuse n'est pas exposée à la chaleur ou à des étincelles.

Instructions d'utilisation de la tronçonneuse

Pour monter la tronçonneuse, suivez la procédure indiquée au chapitre « Montage du guide et de la chaîne » de ce mode d'emploi. La chaîne, le guide et le pignon MAKITA doivent être assortis (cf. chapitre correspondant de ce mode d'emploi).

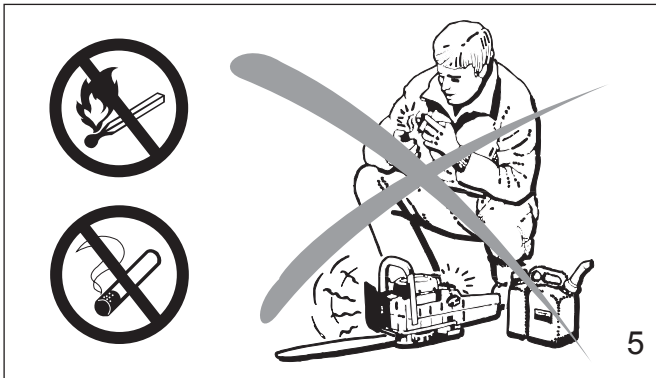
AVERTISSEMENT!

Il est extrêmement important que la chaîne soit correctement tendue. Pour éviter un réglage incorrect, il faut tendre la chaîne en suivant la procédure indiquée dans ce mode d'emploi. Après avoir tendu la chaîne, assurez-vous toujours que le ou les écrous hexagonaux du cache-pignon sont bien serrés.

Vérifiez encore une fois la tension de la chaîne après avoir serré les écrous puis à intervalles réguliers (toujours avant le début du travail). Si la chaîne se détend pendant la coupe, arrêtez le moteur et tendez-la. N'essayez jamais de tendre la chaîne pendant que le moteur est en marche!

Ravitaillement en carburant

Votre tronçonneuse MAKITA fonctionne au mélange deux temps (cf. chapitre « Carburant » de ce mode d'emploi).



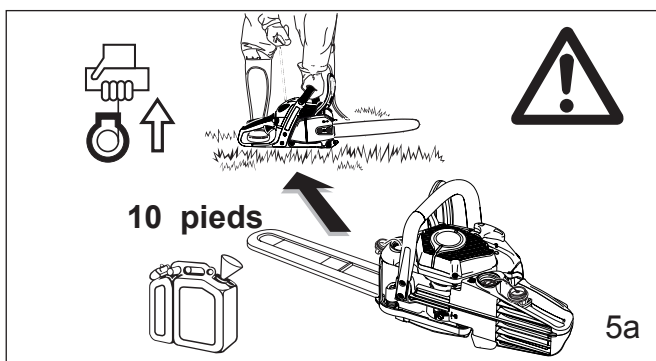
AVERTISSEMENT!

L'essence est un carburant très inflammable. Soyez extrêmement prudent lorsque vous manipulez l'essence ou le mélange deux temps. Ne fumez pas et évitez la présence de toute étincelle ou flamme à proximité du carburant (fig. 5).

Instructions de ravitaillement



Faites le plein de votre tronçonneuse dans des endroits bien ventilés ou à l'extérieur. Il faut toujours arrêter le moteur et le laisser refroidir avant de faire le plein. Faites le plein sur un sol nu et éloignez la tronçonneuse d'au moins 10 pieds (3 m) du point de ravitaillement avant de démarrer le moteur (fig. 5a).



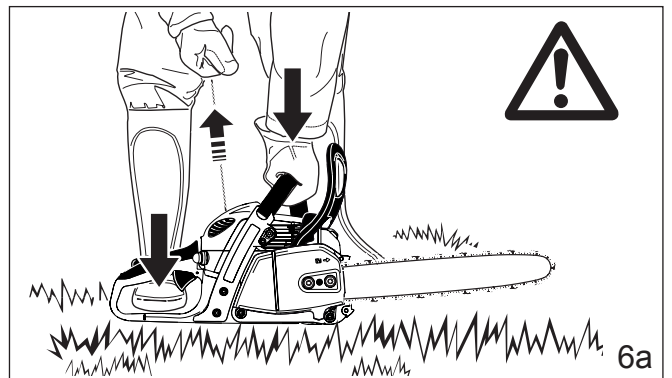
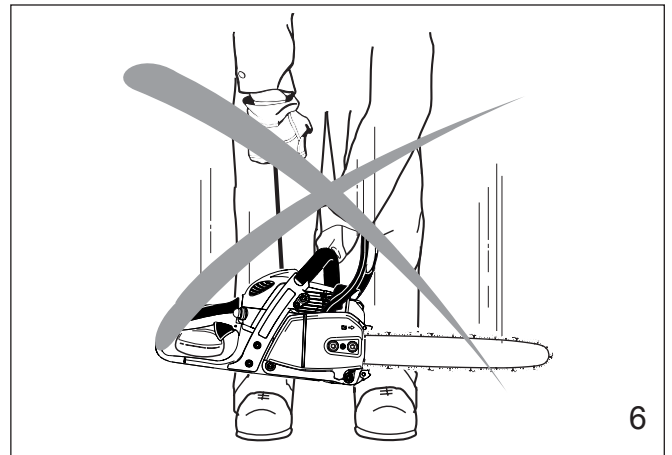
Essayez le carburant renversé avant de démarrer votre tronçonneuse et examinez-la pour voir si elle fuit.

Examinez votre tronçonneuse pour voir s'il y a des fuites pendant le ravitaillement et l'utilisation. Si vous constatez des fuites de carburant ou d'huile, ne démarrez pas ou ne faites pas fonctionner le moteur avant d'avoir remédié à la fuite et essuyé le carburant renversé. Changez immédiatement de vêtements s'ils sont souillés de carburant (danger de mort!).

Évitez le contact de la peau avec le carburant. Ne jamais dévisser ou retirer le bouchon du réservoir de carburant pendant que le moteur tourne.

Démarrage

Ne démarrez pas la tronçonneuse en la laissant descendre au bout du cordon. Cette méthode est très dangereuse car vous pouvez perdre le contrôle de la tronçonneuse (fig. 6).



Posez la tronçonneuse sur un sol ferme ou sur une autre surface dure à un endroit dégagé. Assurez-vous que vous avez une position stable au sol et un bon équilibre. Passez le pied droit dans la poignée arrière et prenez fermement la poignée avant de la main gauche (fig. 6 a).

Il faut absolument vous assurer que ni le guide ni la chaîne ne sont en contact avec vous ou avec tout autre obstacle ou objet ou le sol. En effet, lorsque le moteur démarre avec les gaz à moitié, la vitesse du moteur est suffisante pour que l'embrayage entraîne le pignon et fasse tourner la chaîne, causant ainsi un risque de choc de recul.

N'essayez jamais de démarrer le moteur lorsque le guide se trouve dans une coupe ou dans une entaille.

Lorsque vous tirez sur la poignée du démarreur, n'enroulez pas le cordon autour de votre poignée. Ne relâchez pas brusquement la poignée, accompagnez-la lentement pour permettre au cordon de s'enrouler correctement.

Le non-respect de cette méthode peut entraîner des blessures de la main ou des doigts et détériorer le démarreur.

Réglages importants

AVERTISSEMENT!

Lorsque le ralenti est correctement réglé, la chaîne ne doit pas tourner. Pour le réglage du ralenti, reportez-vous au chapitre correspondant de ce mode d'emploi.

N'utilisez pas de tronçonneuse dont le ralenti n'est pas correctement réglé. Réglez le ralenti vous-même de la façon indiquée dans le chapitre correspondant de ce mode d'emploi.

Demandez à votre revendeur MAKITA d'examiner votre tronçonneuse et de procéder aux réglages corrects ou aux réparations.

Vérifiez souvent la tension de la chaîne, surtout juste après avoir monté une chaîne neuve. Les chaînes neuves peuvent se détendre de façon plus importante pendant les premiers temps d'utilisation.

Si la chaîne est bien réglée, il est possible de la tirer librement à la main autour du guide sans qu'elle pende. Pour vérifier ou régler la tension de la chaîne, il faut toujours arrêter le moteur et porter des gants.

Conditions de travail

N'utilisez la tronçonneuse qu'à l'extérieur et uniquement de jour et dans de bonnes conditions de visibilité.

AVERTISSEMENT!

Soyez extrêmement prudent par temps humide ou par gel (pluie, neige, glace). Remettez le travail à plus tard en cas de vent, de tempête ou de pluie violente. Dégagez la zone où vous travaillez.

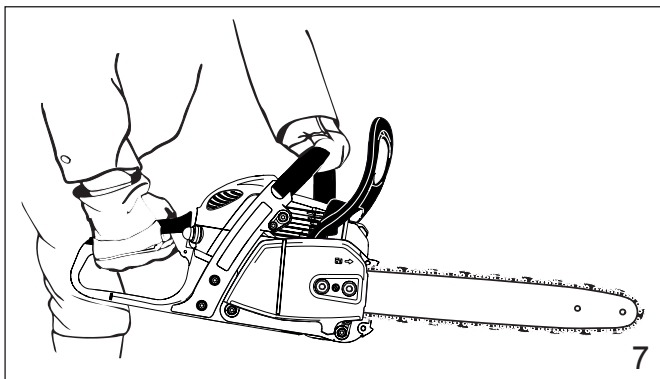
AVERTISSEMENT!

Évitez de trébucher sur des obstacles tels que souches, racines ou pierres et faites attention aux trous et aux fossés. Soyez extrêmement vigilant lorsque vous travaillez sur un terrain incliné ou sur un sol accidenté.

Il ya un risque de glissade accru sur les rondins fraîchement écorcés.

Instructions de coupe

Lorsque le moteur tourne, tenez toujours fermement la tronçonneuse à deux mains. Posez la main gauche sur la poignée tubulaire et la main droite sur la poignée et sur la gâchette des gaz. Ces instructions sont également valables pour les gauchers.



Maintenez fermement les poignées dans le creux de la main en les entourant entre le pouce et l'index (fig. 7). Cette position vous permet de mieux résister et absorber les forces de recul, de traction et de choc de recul de votre tronçonneuse sans qu'elle vous glisse des mains (cf. le point relatif aux forces de réaction).

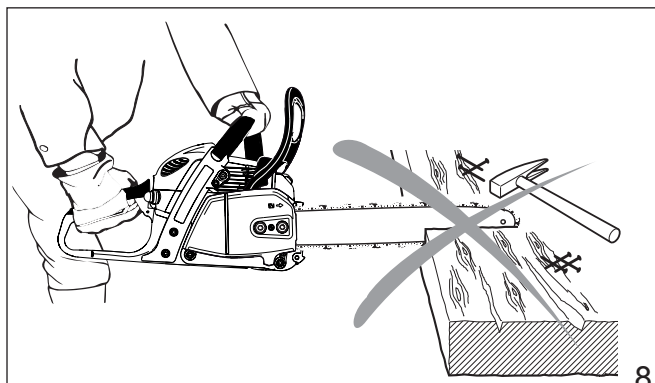
Assurez-vous que les poignées de la tronçonneuse sont en bon état et exemptes d'humidité, de poix, d'huile ou de graisse.

Commencez toujours la coupe avec la chaîne tournant à pleine vitesse et la barre à griffe en contact avec le bois.

Le dispositif de sciage peut glisser sur le côté ou sauter légèrement au moment d'engager la coupe. Cela dépend du bois et de l'état de la chaîne de scie. **De ce fait, toujours tenir la tronçonneuse à deux mains.**

AVERTISSEMENT!

N'utilisez jamais la tronçonneuse d'une seule main car vous ne pouvez pas contrôler les forces de réaction (cf. pages 51 à 53) et vous pourriez perdre le contrôle de la tronçonneuse.



AVERTISSEMENT!

N'utilisez pas la tronçonneuse avec les gaz à moitié car cette position ne vous permet pas de contrôler correctement la tronçonneuse ou la vitesse de la chaîne.

AVERTISSEMENT!

Ne jamais trop approcher les mains ou tout autre partie de votre corps d'une chaîne en mouvement.

AVERTISSEMENT!

Coupez seulement du bois. N'utilisez la tronçonneuse que conformément à sa destination. Par exemple, ne l'utilisez pas pour couper du plastique, de la maçonnerie ou des matériaux de construction autres que du bois.

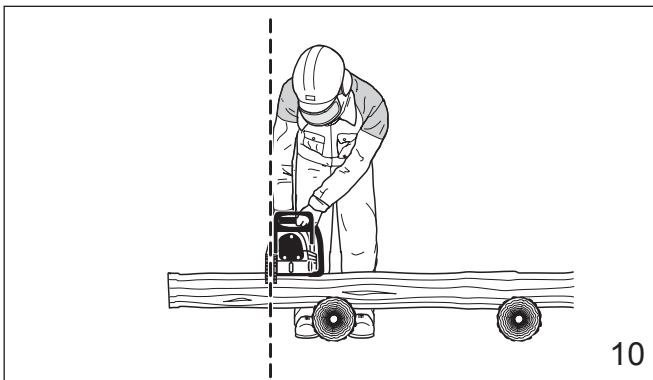
N'utilisez votre tronçonneuse que pour couper, pas pour casser ou pousser des branches, des racines ou d'autres objets.

Lorsque vous sciez, faites attention à ce que la chaîne ne touche pas de corps étrangers tel que pierres, clous et autres (fig. 8). Ils pourraient être projetés, détériorer la chaîne ou entraîner un choc de recul.

Vérifier le fonctionnement de toute la tronçonneuse si elle a été soumise à des efforts violents, en cas de choc ou de chute!



Pour garder la maîtrise de votre tronçonneuse, ayez toujours une position stable au sol. Ne travaillez jamais sur une échelle, dans un arbre ou sur tout autre support instable. N'utilisez jamais la tronçonneuse plus haut qu'à hauteur d'épaules (fig. 9).



Positionnez la chaîne de sorte que votre corps soit éloigné du dispositif de coupe lorsque le moteur tourne (fig. 10).

N'appuyez pas sur la tronçonneuse lorsque vous arrivez à la fin d'une coupe. Sous l'effet de la pression, le guide et la chaîne peuvent sauter hors de la coupe ou de l'entaille, ne plus pouvoir être contrôlés et frapper l'utilisateur ou un autre objet.

Si la chaîne en mouvement heurte un objet, une force de réaction (cf. pages 52 à 54) peut faire que la chaîne heurte l'utilisateur.

Forces de réaction pendant la coupe, y compris le choc de recul

AVERTISSEMENT!

Les forces de réaction qui peuvent se produire pendant toute coupe sont le choc de recul, le recul et la traction. Les forces de réaction peuvent être dangereuses sur toutes les tronçonneuses car la puissance utilisée pour couper le bois peut être renversée et se retourner contre l'utilisateur. Si la chaîne en mouvement est brusquement arrêtée par le contact avec tout objet solide comme un rondin ou une branche ou si elle est coincée, les forces de réaction s'exercent immédiatement. Ces forces de réaction peuvent entraîner la perte de contrôle qui, à son tour, peut être à l'origine de blessures graves ou mortelles. Comprendre les causes de ces forces de réaction peut vous aider à éviter de perdre le contrôle de votre tronçonneuse.

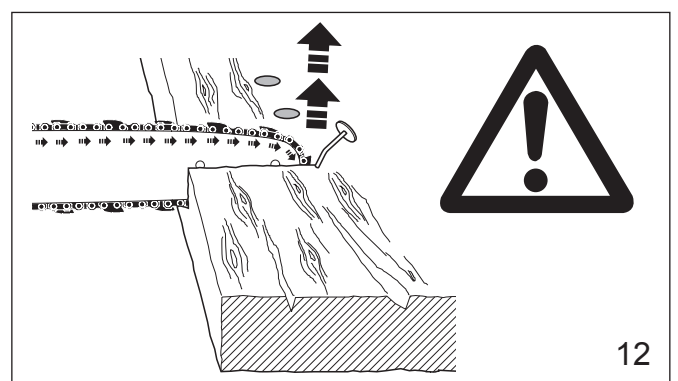
Les forces de réaction les plus courantes sont :

- le choc de recul
- le recul
- la traction.



Choc de recul (Kickback):

Le choc de recul se produit lorsque le quadrant supérieur de la pointe du guide entre en contact avec un objet dur dans le bois ou qu'il est coincé (fig. 11). La réaction de la force de coupe de la chaîne rotative entraîne une force de rotation de la tronçonneuse dans la direction opposée au mouvement de la chaîne, généralement dans le plan du guide. Ceci peut projeter de façon incontrôlée le guide qui décrit alors un arc de cercle vers l'utilisateur.



Cette réaction peut se produire en l'espace d'une fraction de seconde et, dans certaines circonstances, le guide et la chaîne peuvent frapper l'utilisateur avec une force suffisante pour lui occasionner des blessures graves ou mortelles. Elle peut aussi se produire pendant l'ébranchage. Elle se produit aussi lorsque la pointe du guide est coincée de façon inattendue, entre de façon intempestive en contact avec un objet solide dans le bois (fig. 12) ou est utilisée de façon incorrecte pour amorcer une plongée ou un perçage.

Plus la force de la réaction du choc de recul est forte, plus il est difficile pour l'utilisateur de contrôler la tronçonneuse.

De nombreux facteurs déterminent l'apparition et la force de la réaction de choc de recul. Le type du guide et de la chaîne utilisés jouent également un rôle dans la force de la réaction de choc de recul.

La vitesse à laquelle la chaîne entre en contact avec l'objet.

La force de choc de recul est proportionnelle à l'impact.

L'angle de contact entre la pointe du guide et le corps étranger (fig. 11).

Le choc de recul est plus marqué dans le quadrant supérieur de la pointe du guide.

Les modèles de chaîne MAKITA sont conçus pour réduire les forces de choc de recul.

Les limiteurs de profondeurs:

L'abaissement incorrect des limiteurs de profondeur augmente également le risque de choc de recul.

Affûtage des plaquettes de coupe de la chaîne:

AVERTISSEMENT!

Une chaîne émoussée ou incorrectement affûtée peut augmenter le risque de choc de recul. Ne travaillez qu'avec une chaîne correctement affûtée.

Dispositifs de réduction du risque de blessure par choc de recul.

MAKITA a mis au point un frein de chaîne spécial destiné à réduire le risque de choc de recul.

Le frein de chaîne augmente la sécurité du travail, c.-à-d. que lorsque la chaîne remonte brusquement, la chaîne s'arrête de tourner en l'espace d'une fraction de seconde.

Une protection main située sur le levier de débrayage du frein de chaîne et une poignée arrière munie d'une protection protègent en permanence les mains de l'utilisateur.

La tendance au choc de recul augmente proportionnellement au rayon ou à la taille de la pointe du guide. MAKITA a mis au point des guides avec une pointe à petit rayon qui réduisent la tendance au choc de recul.

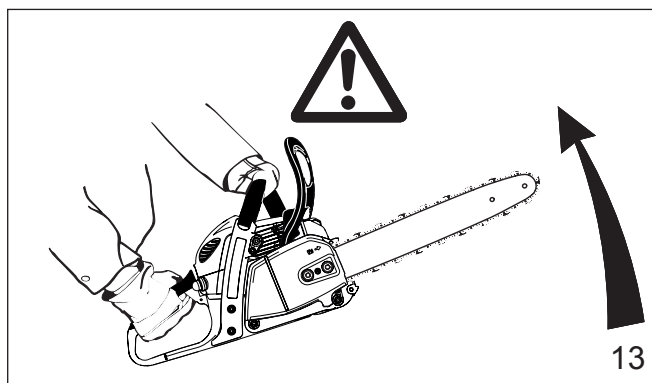
AVERTISSEMENT!

Aucun frein de chaîne ne peut empêcher le choc de recul.

Ces freins ne sont conçus que pour arrêter la chaîne lorsqu'ils sont actionnés.

Pour garantir un fonctionnement fiable du frein de chaîne, il faut l'entretenir correctement.

Par ailleurs, la distance entre l'utilisateur et le guide doit être suffisante pour que le frein de chaîne ait le temps de réagir et d'arrêter la chaîne avant un éventuel contact avec l'utilisateur.



Pour éviter le choc de recul

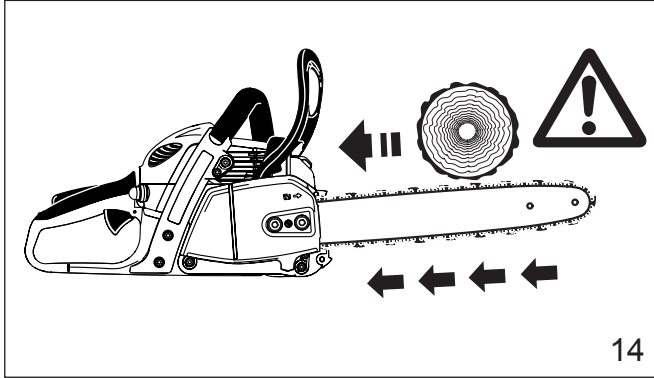
Le meilleur moyen de se protéger contre les blessures dues au choc de recul est d'éviter les situations qui le favorisent :

1. Tenez fermement la tronçonneuse à deux mains et assurez toujours une prise ferme.
2. Sachez toujours où se trouve la pointe du guide.
3. Ne faites jamais entrer la pointe du guide en contact avec un objet quelconque. Ne coupez pas les branches avec la pointe du guide. Soyez particulièrement prudent avec les petites branches dures, les broussailles et les jeunes arbres de petites dimensions car ils peuvent facilement se prendre dans la chaîne.
4. Ne coupez pas les bras tendus.
5. Ne coupez pas au-dessus de la hauteur d'épaules.
6. Commencez la coupe et continuez plein gaz.
7. Ne coupez qu'un rondin à la fois.
8. Soyez extrêmement prudent lorsque vous rentrez dans une coupe déjà existante.
9. N'essayez pas les coupes en plongée (cf. page 55) si vous n'avez pas l'expérience de ces techniques.
10. Soyez toujours attentif à un déplacement du rondin ou aux autres forces qui pourraient fermer la coupe et coincer la chaîne.
11. Assurez un entretien correct de la chaîne. Ne travaillez qu'avec une chaîne bien affûtée et correctement tendue.
12. Tenez-vous à côté de la coupe de la tronçonneuse.

Le recul:

Le recul se produit lorsque la chaîne se trouvant sur la partie supérieure du guide est arrêtée subitement lorsqu'elle est coincée, prise ou rencontre un corps étranger dans le bois.

La réaction de la chaîne pousse la tronçonneuse directement vers l'utilisateur, lui faisant perdre le contrôle de la tronçonneuse. Le recul se produit souvent lorsque l'on coupe avec la partie supérieure du guide (fig. 14).



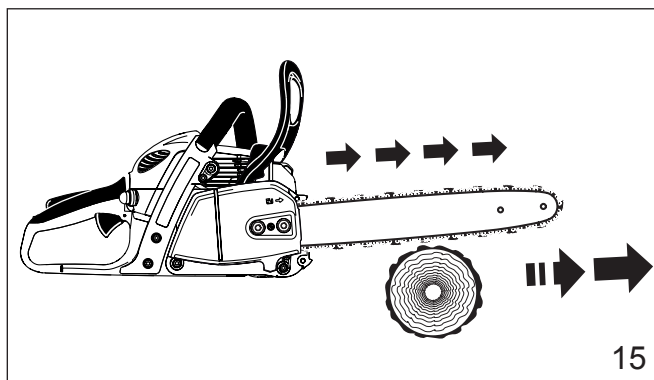
Pour éviter le recul

1. Soyez attentif aux forces ou aux situations dans lesquelles le bois peut coincer la partie supérieure de la chaîne.
2. Ne coupez pas plus d'un rondin à la fois.
3. Ne tordez pas la tronçonneuse lorsque vous retirez le guide d'une coupe en plongée ou par dessous (figures 25 à 27 et 33, pages 55 et 57) car la chaîne peut être coincée.

La traction:

La traction se produit lorsque la chaîne se trouvant sur la partie inférieure du guide est arrêtée subitement lorsqu'elle est coincée, prise ou rencontre un corps étranger dans le bois (fig. 15). La réaction de la chaîne tire la tronçonneuse vers l'avant, faisant perdre à l'utilisateur le contrôle de la tronçonneuse.

La traction se produit souvent lorsque la barre à griffe de la scie n'est pas maintenue fermement contre l'arbre ou la branche et lorsque la chaîne ne tourne pas à pleine vitesse lorsqu'elle entre en contact avec le bois.



AVERTISSEMENT!

Soyez extrêmement prudent lorsque vous coupez des broussailles et des jeunes arbres de petites dimensions car ils peuvent facilement se prendre dans la chaîne et vous tirer en vous faisant perdre l'équilibre.

Pour éviter la traction

1. Amorcez toujours une coupe avec la chaîne tournant à pleine vitesse et la barre à griffe en contact avec le bois.
2. Il est également possible d'éviter la traction en utilisant des coins en plastique pour ouvrir l'en-taille ou la coupe.

Techniques de coupe

Abattage

L'abattage est la coupe d'un arbre sur pied.

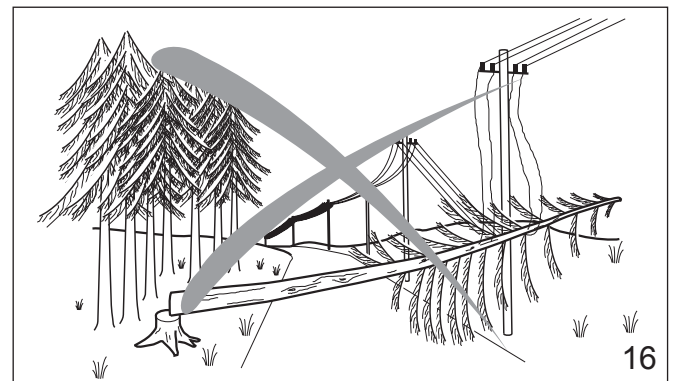
Avant d'abattre un arbre, prenez en considération toutes les conditions pouvant influencer le sens de la chute, à savoir:

le sens voulu de la chute,
l'inclinaison normale de l'arbre,
une structure de branchages particulièrement marquée, les arbres et obstacles environnants,
la direction et la vitesse du vent.

AVERTISSEMENT!

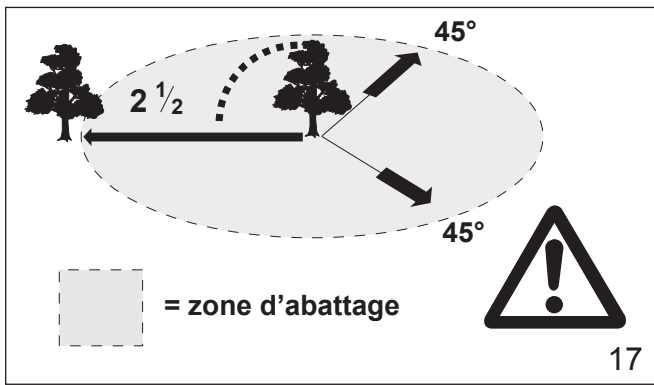
Examinez toujours l'état général de l'arbre. Cherchez les traces de pourriture dans le tronc. S'il est pourri à l'intérieur, il peut se rompre et tomber sur l'utilisateur pendant la coupe.

Cherchez aussi les branches cassées ou mortes qui pourraient être détachées par les vibrations et tomber sur l'utilisateur. En cas d'abattage en terrain incliné, l'utilisateur doit se trouver au-dessus de l'arbre.



En cas d'abattage à proximité de routes, de voies ferrées et de lignes électriques, etc., prenez des précautions supplémentaires (cf. fig. 16).

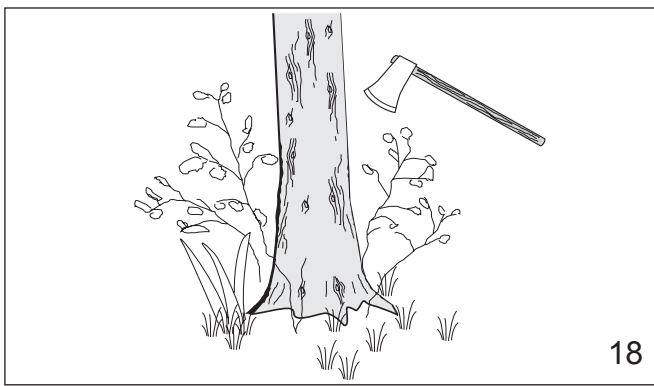
Informez la police, la régie d'électricité ou la compagnie de chemin de fer avant de commencer le travail.



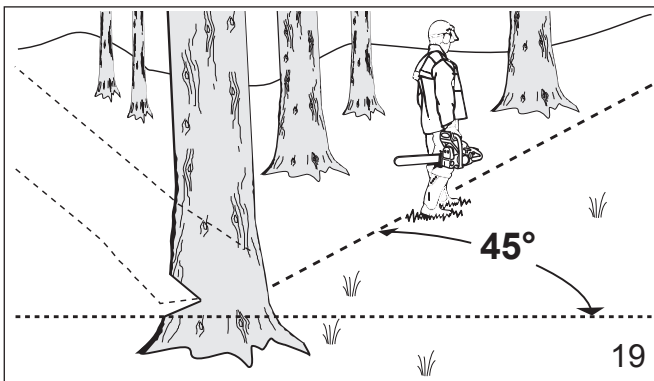
Lors de l'abattage, respectez une distance d'au moins 2 fois et demi la hauteur de l'arbre entre l'arbre et la personne la plus proche (cf. fig. 17).

Remarque: Tout avertissement peut être couvert par le bruit de votre moteur.

Instructions d'abattage:



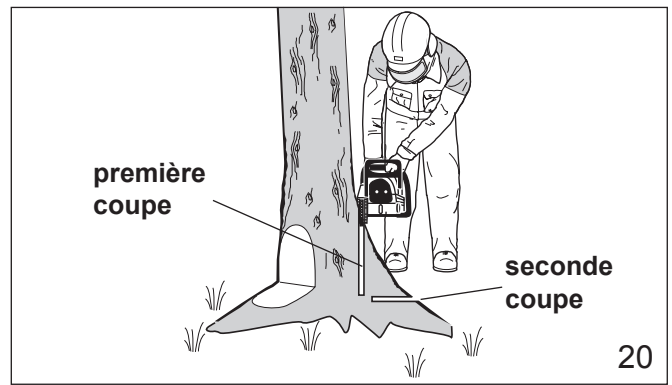
Dégagez dans un premier temps la base de l'arbre et la zone de travail des branches et broussailles gênantes et nettoyez la partie inférieure de l'arbre à la hache (cf. fig. 18).



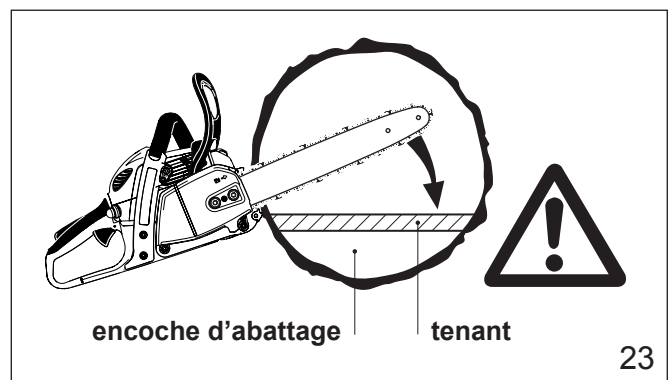
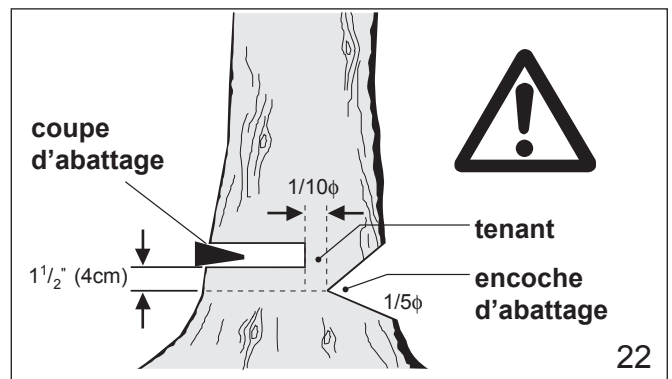
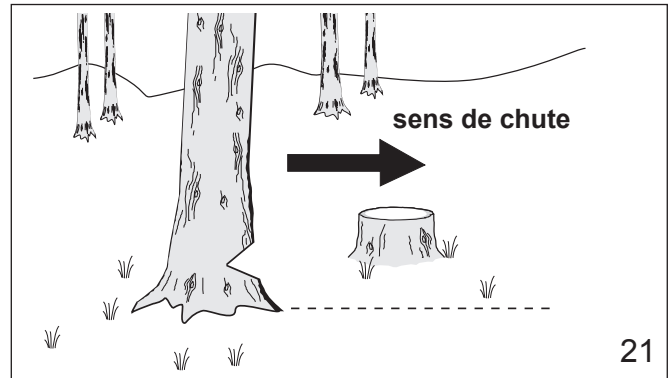
Planifiez votre travail afin de disposer d'un espace de travail dégagé de tout obstacle. Pour l'abattage, prévoyez au moins une zone de fuite vous permettant d'échapper à la chute de l'arbre.

Etablissez ensuite une voie de repli et dégagez-la de tous les obstacles. Cette voie doit être opposée à la direction prévue de la chute de l'arbre et avoir un angle de 45° (fig. 19).

Il faut aussi choisir une seconde voie. Placez tous les outils et l'ensemble du matériel en sécurité à une distance suffisante de l'arbre mais pas sur la voie de repli.



Si l'arbre a de grosses racines latérales, coupez dans les plus grandes racines, d'abord verticalement puis horizontalement et enlevez le morceau ainsi découpé (fig. 20).



Déterminez ensuite l'emplacement de l'encoche d'abattage (« camembert ») (fig. 21). Lorsqu'elle est correctement positionnée, l'encoche d'abattage détermine dans quelle direction l'arbre va tomber. Elle doit être pratiquée perpendiculairement à la ligne de chute aussi près que possible du sol.

Coupez l'encoche d'abattage à une profondeur comprise entre un tiers et un quart du diamètre de l'arbre (fig. 22). Elle ne doit jamais être plus haute que profonde. Pratiquez l'encoche d'abattage avec grand soin.

Amorcez la coupe d'abattage légèrement plus haut que l'encoche d'abattage sur le côté opposé de l'arbre (fig. 22). Coupez ensuite horizontalement dans la direction de l'encoche d'abattage. Appliquez la tronçonneuse avec ses griffes directement derrière la partie de bois non coupée et coupez en direction de l'encoche d'abattage (fig. 23).

Laissez une portion non coupée égale à environ 1/10 du diamètre de l'arbre. Cette portion constitue le tenant (fig. 23). Ne coupez pas le tenant car vous ne pourriez plus contrôler la direction de la chute. Si nécessaire, enfoncez des coins dans la coupe d'abattage pour contrôler le sens de la chute. Les coins doivent être en bois, en métal léger ou en plastique mais jamais en acier, car ils peuvent entraîner une réaction de choc de recul et détériorer la chaîne.

Restez toujours sur le côté de l'arbre qui s'abat. Lorsque l'arbre commence à s'abattre, coupez le moteur, retirez le guide et éloignez-vous sur la voie de repli que vous avez préparée. Faites attention aux chutes de branches.

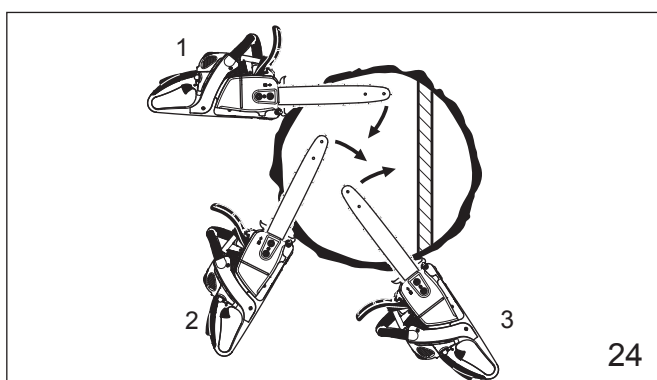
AVERTISSEMENT!

Soyez extrêmement prudent avec les arbres partiellement abattus qui ont un soutien médiocre. Si l'arbre reste en suspens ou si pour une raison ou une autre il ne tombe pas complètement, posez la tronçonneuse de côté et tirez l'arbre à l'aide d'un treuil à câble, d'un palan ou d'un tracteur. Si vous essayez de l'abattre complètement en le coupant à la tronçonneuse, vous risquez de vous blesser.

Méthode de sectionnement

AVERTISSEMENT!

Pour abattre un arbre dont le diamètre est supérieur à la longueur du guide, il faut utiliser la méthode de sectionnement ou de coupe en plongée. Ces méthodes sont extrêmement dangereuses car elles utilisent la pointe du guide et peuvent entraîner des réactions de choc de recul. Ces techniques ne doivent être utilisées que par des professionnels ayant reçu une formation appropriée.

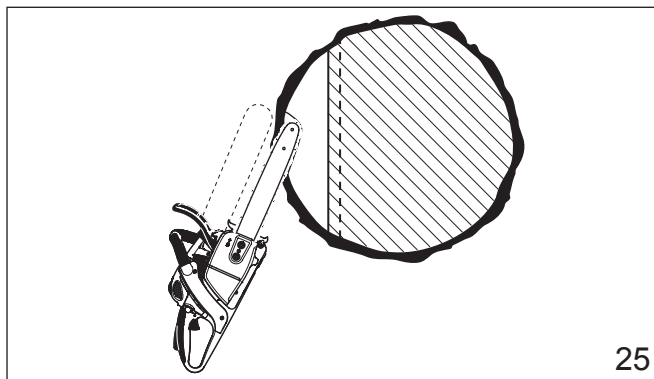


Pour la méthode de sectionnement (fig. 24), pratiquez la première coupe en faisant pivoter le guide vers le tenant. Ensuite, en utilisant la griffe du butoir comme un pivot, repositionnez la tronçonneuse pour la coupe suivante. Évitez de repositionner la tronçonneuse plus que c'est nécessaire. Lorsque vous repositionnez la tronçonneuse pour la coupe suivante, maintenez le guide complètement en gagé dans l'encoche pour que la coupe d'abattage soit droite. Si la tronçonneuse commence à se coincer, enfoncez un coin pour ouvrir la coupe. A la dernière coupe, ne coupez pas le tenant.

Méthode de coupe en plongée

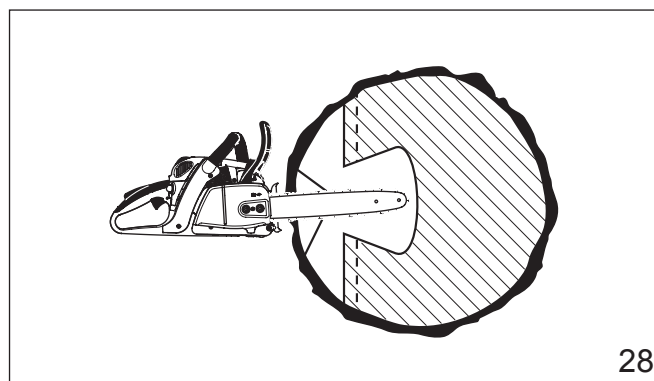
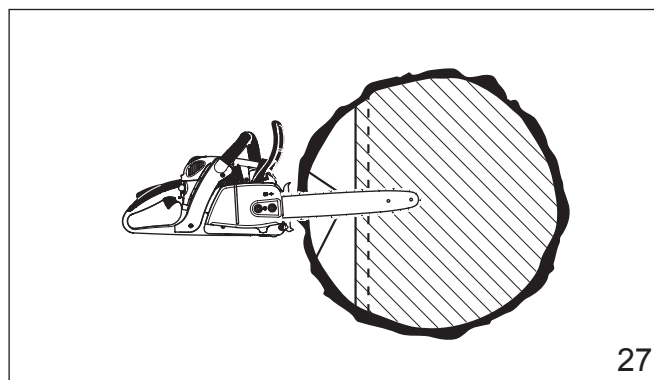
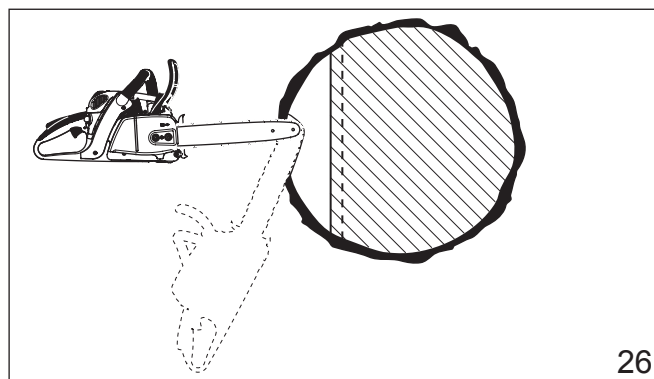
Les arbres d'un diamètre supérieur à deux fois la longueur du guide nécessitent de mettre en oeuvre la méthode de coupe en plongée avant de faire la coupe d'abattage. Dans un premier temps, coupez une encoche d'abattage grande et large. Faites une coupe en plongée au centre de l'encoche.

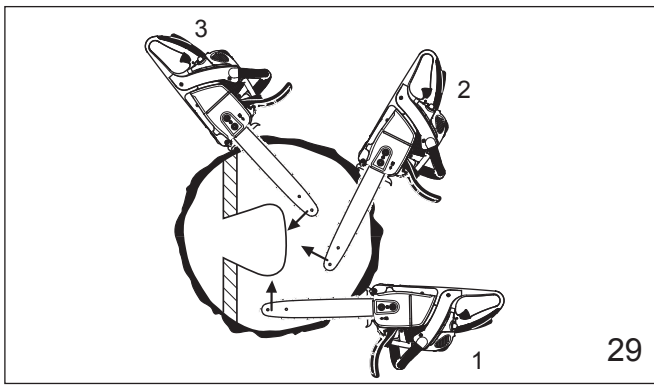
On procède à la coupe en plongée avec la pointe du guide. Commencez la coupe en plongée en appliquant la partie inférieure de la pointe du guide sur l'arbre selon un angle (fig. 25). Coupez jusqu'à ce que la profondeur de l'encoche soit à peu près égale à la largeur du guide (fig. 26). Ensuite, orientez la scie dans la direction de l'endroit où l'évidement doit être creusé.



Mettez les gaz à fond et introduisez le guide dans le tronc (fig. 27).

Agrandissez la coupe en plongée comme indiqué sur l'illustration (fig. 28).





AVERTISSEMENT!

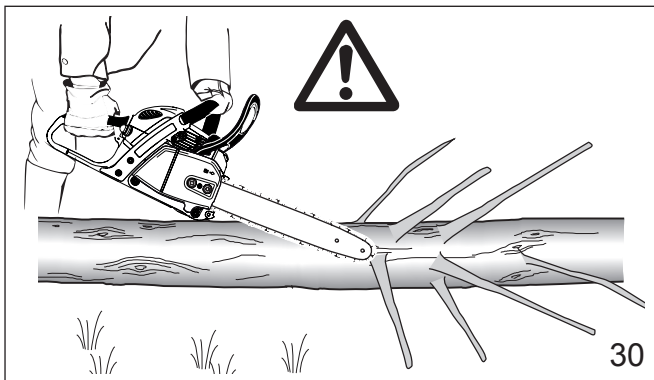
A ce point, il y a un très grand danger de choc de recul. Il faut être extrêmement prudent pour garder le contrôle de la tronçonneuse. Pour faire la coupe d'abattage, suivez la méthode de sectionnement décrite précédemment (fig. 29). Si vous n'avez pas l'expérience du travail avec une tronçonneuse, n'essayez pas de faire de coupe en plongée. Demandez l'assistance d'un professionnel.

Ebranchage

L'ébranchage consiste à couper les branches d'un arbre abattu.

AVERTISSEMENT!

Le risque de choc de recul est très grand pendant l'ébranchage. Ne travaillez pas avec la pointe du guide. Soyez extrêmement prudent et évitez tout contact entre la pointe du guide et le tronc ou les branches. **Ne montez pas sur le tronc que vous êtes en train d'ébrancher car il pourrait rouler ou vous pourriez glisser.**



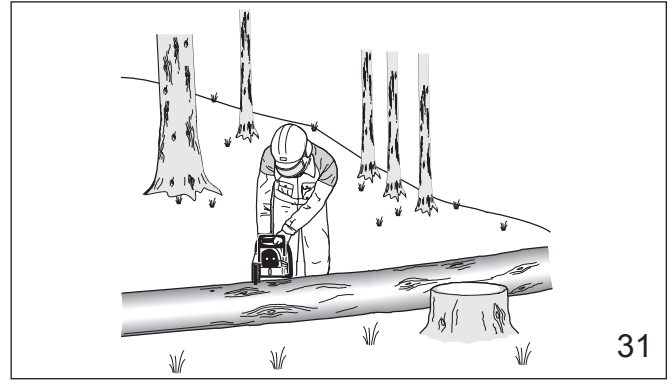
Commencez l'ébranchage en laissant les branches inférieures pour maintenir le tronc à une certaine distance du sol (fig. 30). Ne coupez pas les branches pendantes par dessous. La tronçonneuse pourrait être coincée ou la branche pourrait tomber, vous faisant perdre le contrôle de la tronçonneuse. Si le guide est coincé, arrêtez le moteur et retirez la tronçonneuse en soulevant la branche.

AVERTISSEMENT!

Soyez extrêmement prudent lorsque vous coupez des branches qui forcent. Les branches peuvent sauter vers l'utilisateur et entraîner une perte de contrôle de la tronçonneuse ou blesser l'utilisateur.

Débitage

Le débitage consiste à découper un rondin en plusieurs morceaux.



AVERTISSEMENT!

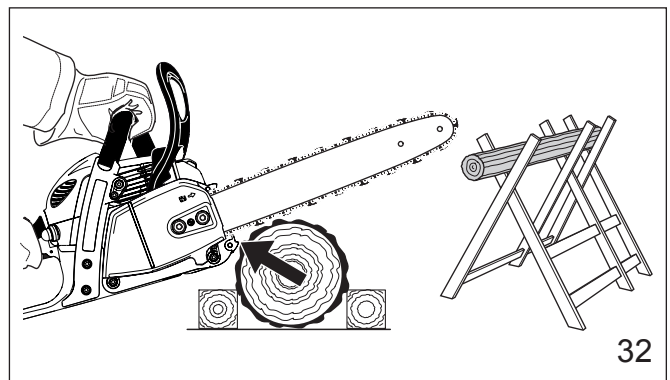
1. Ne montez pas sur le rondin que vous êtes en train de débiter. Assurez-vous que le rondin ne peut pas descendre la pente. En cas de débitage en terrain incliné, l'utilisateur doit se trouver au-dessus du rondin (cf. fig. 31). Faites attention aux rondins qui roulent.

AVERTISSEMENT!

2. Ne coupez qu'un rondin à la fois.

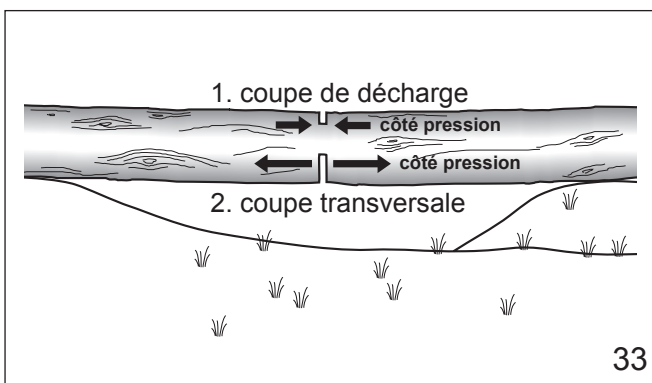
AVERTISSEMENT!

3. Il faut être très prudent pour couper le bois en éclats car des échardes acérées peuvent être entraînées par la tronçonneuse et projetées vers l'utilisateur.

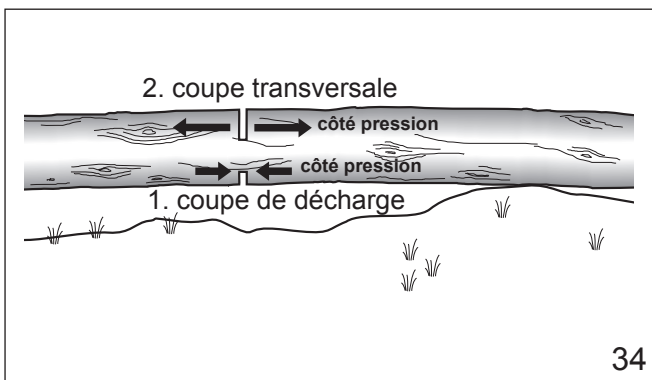


AVERTISSEMENT!

4. Pour couper les petits rondins, utilisez un chevalet (fig. 32). Empêchez toute autre personne de tenir le rondin. Ne maintenez jamais le rondin avec la jambe ou le pied. À la fin de la coupe, la tronçonneuse pivote en raison de son poids, n'étant plus soutenue. Bien la bloquer de façon contrôlée.



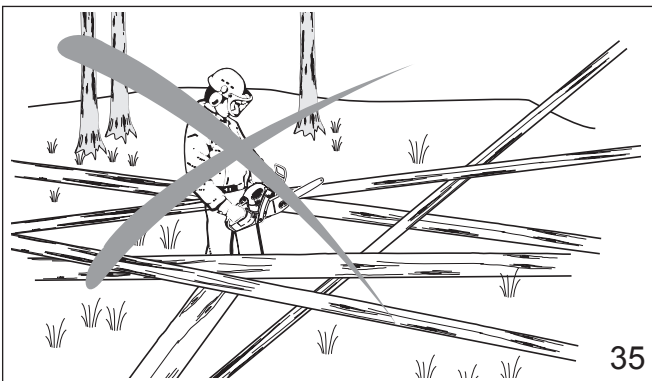
33



34

AVERTISSEMENT!

5. Lorsque vous coupez des rondins qui forcent, il faut être extrêmement prudent pour éviter que la tronçonneuse soit coincée. La première coupe est pratiquée sur le côté comprimé pour soulager la tension du rondin (cf. fig 33, 34). On procède ensuite à la coupe de débitage de la façon indiquée. Si la tronçonneuse est coincée, arrêtez le moteur et retirez-la du rondin.



35

AVERTISSEMENT!

6. Le travail dans une zone où les rondins, les branches et les racines sont enchevêtrés (p.ex. dans une zone où les arbres ont été abattus par le vent, fig. 35) ne doit être fait que par des professionnels ayant reçu une formation appropriée. Le travail dans une zone où les arbres ont été abattus par le vent est très dangereux.

AVERTISSEMENT!

7. Amenez les rondins dans une zone dégagée avant de commencer le débitage. Tirez d'abord les rondins exposés et dégagés.

Entretien et réparation

N'utilisez jamais une tronçonneuse endommagée, incorrectement réglée ou incomplètement ou incorrectement assemblée. Respectez les instructions d'entretien et de réparation du chapitre correspondant du présent mode d'emploi.

AVERTISSEMENT!

Avant de commencer toute opération d'entretien, de réparation ou de nettoyage de la tronçonneuse, il faut toujours arrêter le moteur et s'assurer que la chaîne est arrêtée. Laisser refroidir la tronçonneuse avant les travaux d'entretien (risque de brûlure)!

Ne pas couvrir la tronçonneuse qui a chauffé (par ex. avec des bâches, couvertures, journaux ...).

Laisser refroidir la tronçonneuse avant de la ranger dans un box de transport ou dans un véhicule.

Les temps de refroidissement nécessaires sont plus longs pour les tronçonneuses équipées d'un catalyseur!

Ne procédez pas à des opérations d'entretien ou de réparation qui ne figurent pas dans ce mode d'emploi. Confiez-les uniquement à votre agence technique MAKITA.

Entretien et stockage de la tronçonneuse

Maintenez la chaîne, le guide et le pignon propres et lubrifiés ; changez les chaînes et les pignons usés.

La chaîne doit toujours être correctement affûtée. On reconnaît que la chaîne est émoussée au fait que le bois tendre est difficile à couper et que des traces de brûlure apparaissent sur le bois.

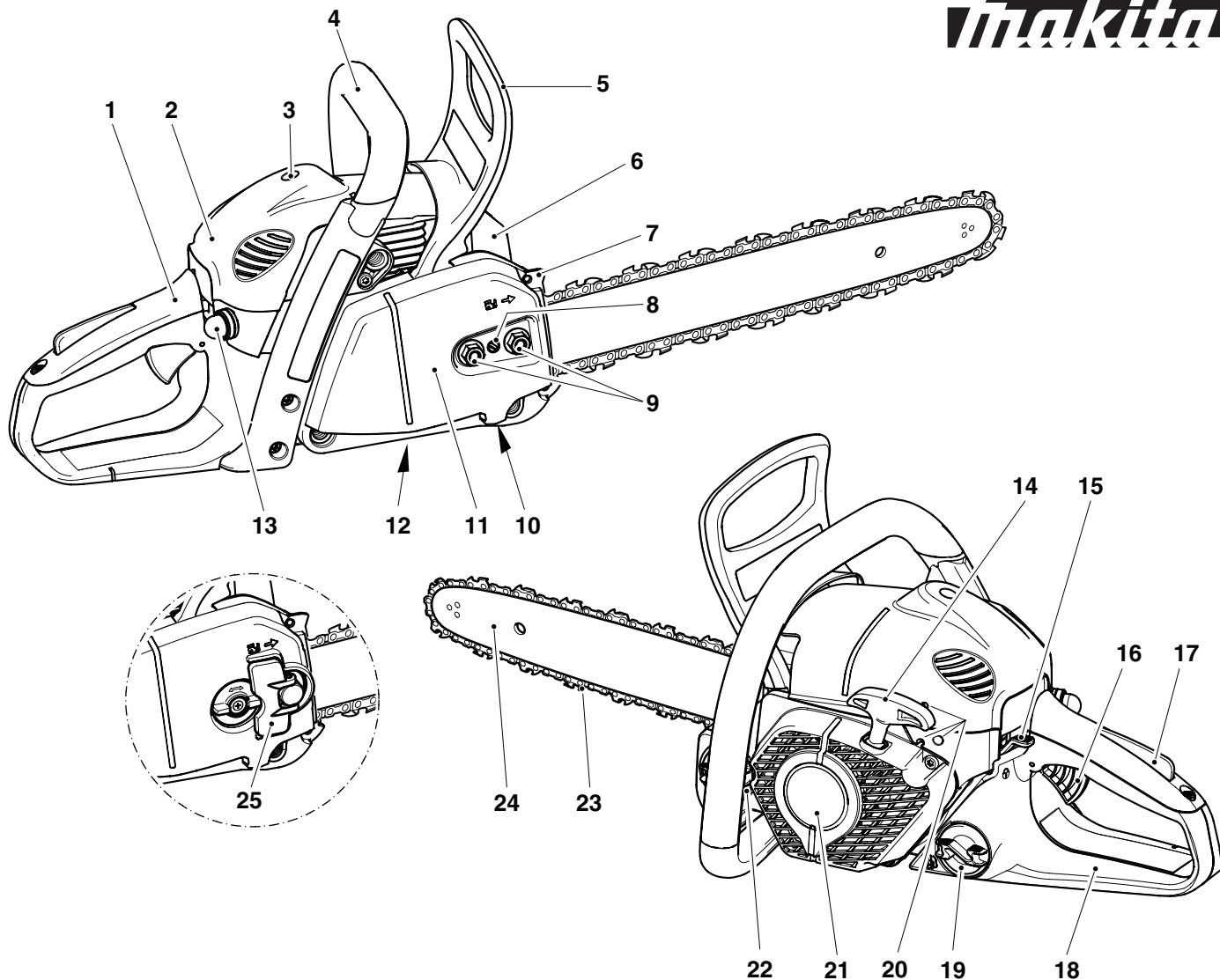
Assurez-vous que la chaîne est toujours correctement tendue. Après chaque utilisation, resserrez tous les écrous, boulons et vis à l'exception des vis de réglage du carburateur.

Assurez-vous que la bougie et le câble d'allumage sont toujours propres et bien fixés.

Conservez les tronçonneuses en hauteur ou sous clé hors de portée des enfants.

Le protège-rail doit être posé dans tous les cas.

Désignation des pièces



- | | | | |
|----|---|----|---|
| 1 | Poignée | 14 | Poignée de lancement |
| 2 | Capot de couverture | 15 | Bouton multi-positions (Starter / ON / STOP) |
| 3 | Verrouillage du capot | 16 | Accélérateur |
| 4 | Poignée-étrier | 17 | Touche de verrouillage de sécurité |
| 5 | Protège-main (déclencheur pour frein de chaîne) | 18 | Protège-main arrière |
| 6 | Silencieux | 19 | Bouchon de fermeture du réservoir carburant |
| 7 | Rive dentée (butée à crampon) | 20 | Vis de réglage pour le carburateur |
| 8 | Vis de réglage pour tendeur de chaîne | 21 | Carter ventilateur avec dispositif de lancement |
| 9 | Ecrous de fixation | 22 | Bouchon de fermeture du réservoir huile |
| 10 | Arrête chaîne | 23 | Chaîne de sciage (outil de coupe) |
| 11 | Protection de la roue à chaîne | 24 | Guide de la chaîne de la scie |
| 12 | Vis de réglage pour pompe à huile (face inférieure) | 25 | Tendeur rapide du protège-pignon (EA3501S) |
| 13 | Pompe à essence (Primer) | | |

Caractéristiques techniques

		EA3500S	EA3501S
Cylindrée	cu. in (cm) ³	2,1 (35)	
Alésage	po (mm)	1,50 (38)	
Course	po (mm)	1,20 (30,6)	
Puissance max. en fonction du régime	hp / rpm	2,3 / 10 000	
Couple max. en fonction du régime	N·m / rpm	2,0 / 7 000	
Vitesse de rotation à vide / max. avec guide et chaîne	rpm	2 800 / 13 100	
Vitesse de rotation d'embrayage	rpm	4 100	
Niveau sonore à pleine charge mesuré aux oreilles de l'opérateur selon ISO 22868	dB (A)	101,7	
Carburateur	Type	Carburateur à membrane	
Dispositif d'allumage	Type	électronique	
Bougie d'allumage	Type	NGK CMR6A	
ou bougie d'allumage	Type	--	
Ecartement électrodes	po (mm)	,023 (0,6)	
Consommation carburant/puissance max. selon ISO 7293	kg/h	0,68	
Consommation spéc./puissance max. selon ISO 7293	g/kWh	500	
Capacité réservoir carburant	floz	13,5	
Capacité réservoir huile	floz	9,5	
Dosage mélange (carburant/huile 2 temps)			
- avec utilisation huile synthétique MAKITA		50 : 1	
- avec utilisation autre huile synthétique		50 : 1 (échelle de qualité JASO FC ou ISO EGD)	
Frein de chaîne		déclenchement manuel ou en cas de choc de recul (kickback)	
Pas roue à chaîne	po	3/8	
Nombre de dents	Z	6	
Poids de la tronçonneuse (réservoirs vides, sans barre, chaîne et accessoires)	lbs	9,70	9,92

(Au Canada)

REMARQUE : Le système d'allumage par bougie est conforme à la norme canadienne ICES-002.

Montage de la chaîne et du guide

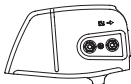
Type de chaîne		492 (91PX)			290 (90SG), 291 (90PX)	
Pas	po	3/8"				
Épaisseur du maillon entraîneur	po (mm)	0,050" (1,3)			0,043" (1,1)	
Type de guide		Guide à étoile de renvoi				
Guide, longueur de coupe	po (mm)	12" (300)	14" (350)	16" (400)	12" (300)	14" (350)
Nombre de maillons d'entraînement		46	52	56	46	52

⚠ AVERTISSEMENT : Utilisez la combinaison de guide et de chaîne appropriée. Vous risqueriez de vous blesser.

AVERTISSEMENT:

Cette tronçonneuse à chaîne peut entraîner un rebond risquant de blesser l'utilisateur. N'utilisez cette tronçonneuse à chaîne que si vous avez des besoins importants de coupe et suffisamment acquis d'expérience, notamment en ce qui concerne les rebonds éventuels. Les tronçonneuses à chaîne présentant des risques de rebond assez réduits sont également disponibles.

MISE EN ROUTE



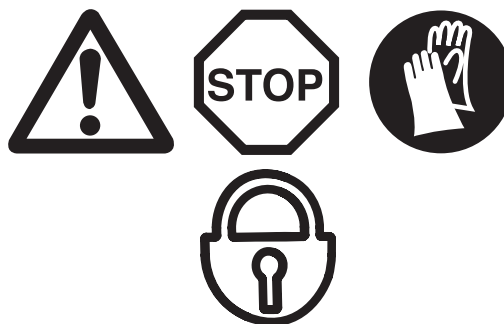
Uniquement pour les modèles munis d'écrous de fixation sur le protège-pignon (EA3500S)

ATTENTION:

Pour tous travaux effectués sur le guide de la chaîne de sciage, le moteur doit être impérativement arrêté et la fiche de bougie doit être enlevée (voir paragraphe pour le remplacement de la bougie) et le port de gants de protection est obligatoire!

ATTENTION:

La tronçonneuse ne peut être démarrée qu'après le montage complet et le contrôle effectué!



Montage du guide et de la chaîne de sciage

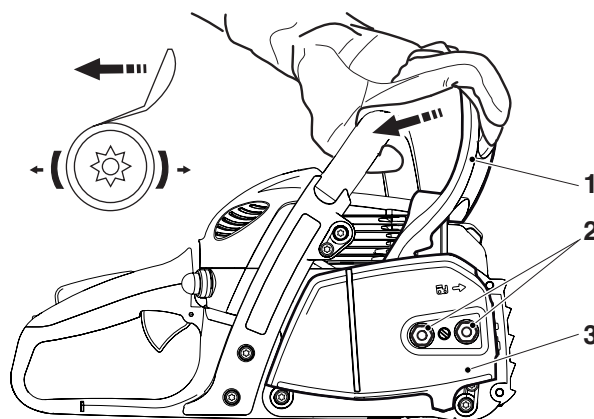
Utiliser la clé combinée livrée avec la machine pour les travaux suivants.

Placer la tronçonneuse sur un support stable et exécuter les opérations suivantes pour le montage de la chaîne de sciage et du guide de la chaîne.

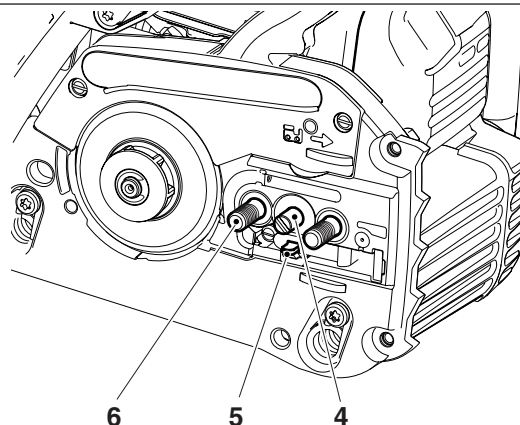
Desserrer le frein de chaîne. Pour cela, tirer le protège-main (1) dans le sens de la flèche.

Dévisser les écrous de fixation (2).

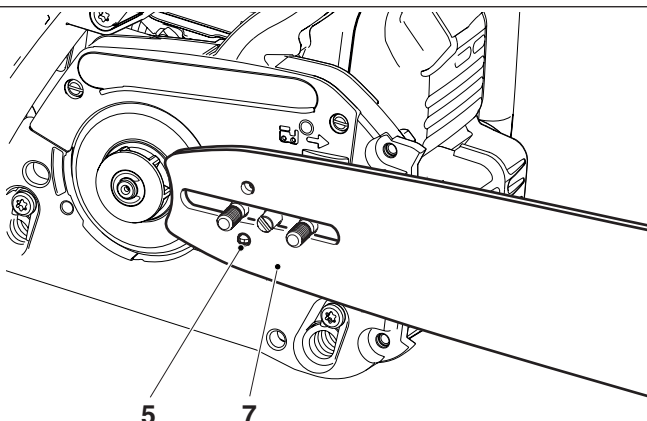
Retirer la protection de la roue à chaîne (3).

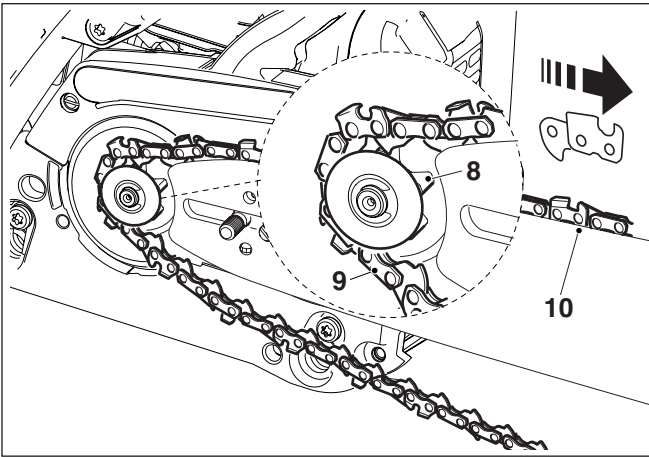


Tourner la vis de réglage pour le tendeur de chaîne (4) vers la gauche (dans le sens inverse des aiguilles) jusqu'à ce que le tenon (5) du tendeur de chaîne soit sous le boulon (6).



Poser le guide (7). S'assurer que le tenon (5) du tendeur de chaîne s'engrène dans le trou de la chaîne de sciage.



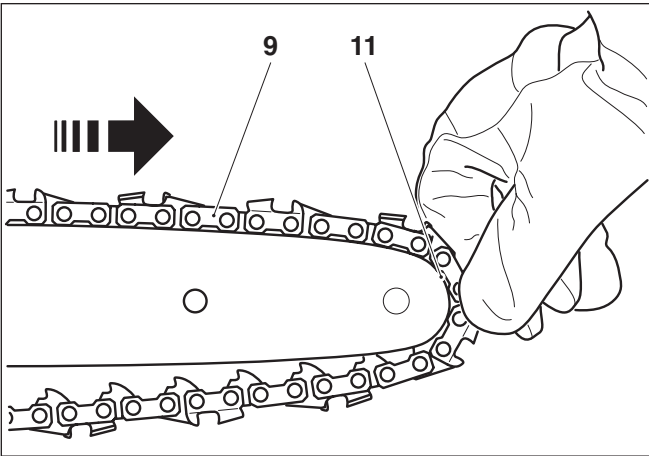


Poser la chaîne de sciage (9) sur le plateau (8).

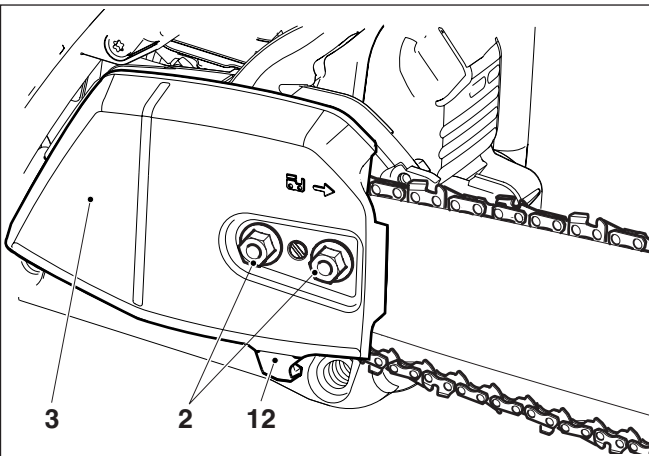
Introduire la chaîne de sciage vers le haut environ jusqu'à moitié dans la rainure de guidage (10) du guide.

ATTENTION:

Les arêtes coupantes de la chaîne de sciage doivent être dirigées dans le sens de la flèche sur la partie supérieure du guide!



Guider la chaîne de sciage (9) autour de l'étoile de renvoi (11) du guide de la chaîne, en tirant légèrement la chaîne de sciage dans le sens de la flèche.



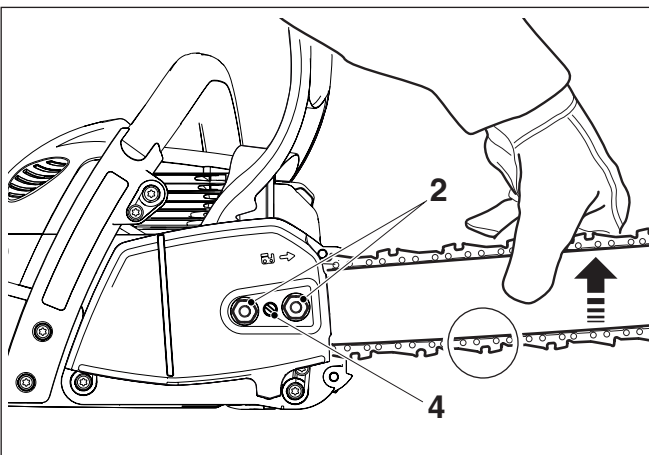
Poser la protection de la roue à chaîne (3).



ATTENTION:

La chaîne de scie doit être soulevée au-dessus de l'arrête-chaîne (12).

Serrer d'abord à la main les écrous de fixation (2).



Tendre la chaîne de sciage

Tourner la vis de réglage (4) vers la droite (dans le sens des aiguilles) jusqu'à ce que la chaîne de sciage s'engrène dans la rainure de guidage de la partie inférieure du guide (voir cercle).

Lever légèrement la pointe du guide et tourner la vis de réglage (4) vers la droite (dans le sens des aiguilles) jusqu'à ce que la chaîne de sciage soit de nouveau sur la partie inférieure du guide (voir cercle).

Continuer à relever la pointe du guide et serrer les écrous de fixation (2) à bloc avec la clé combinée.

Contrôle de la tension de la chaîne

Une tension correcte de la chaîne est réalisée lorsque la chaîne s'applique sur le rail inférieur et qu'elle peut encore être légèrement écartée du guide à la main.

Ce faisant, le frein de la chaîne doit être libéré.

Contrôler fréquemment la tension de la chaîne, les chaînes neuves ayant tendance à s'allonger!

Par conséquent, vérifier souvent la tension de la chaîne le moteur étant arrêté.

REMARQUE:

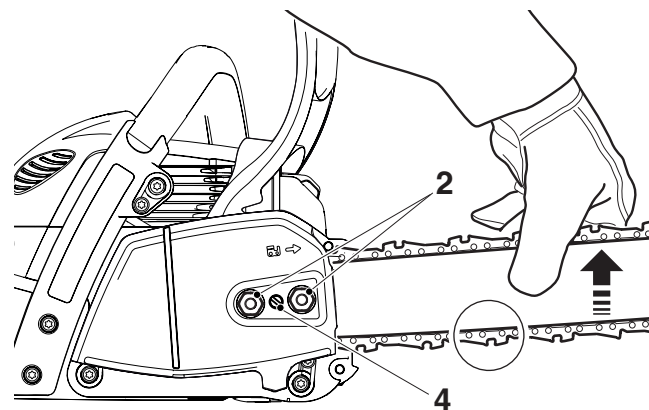
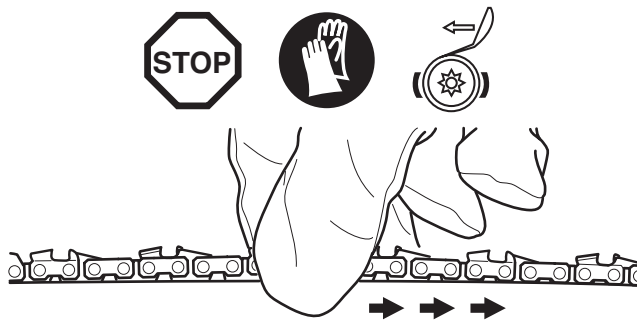
En pratique, on devrait utiliser alternativement 2 à 3 chaînes de sciage.

Pour atteindre une usure régulière des rails, on devra retourner le guide de la chaîne lors du changement de la chaîne.

Retendre la chaîne de sciage

Desserrer les écrous de fixation (2) d'un tour environ au moyen de la clé universelle. Lever légèrement la pointe de la chaîne de sciage et tourner la vis de réglage (4) vers la droite (dans le sens des aiguilles) jusqu'à ce que la chaîne de sciage repose de nouveau sur la partie inférieure du guide (voir cercle).

Continuer de soulever la pointe de la chaîne de sciage et bien resserrer les écrous de fixation (2) avec la clé universelle.





Seulement pour guide QuickSet

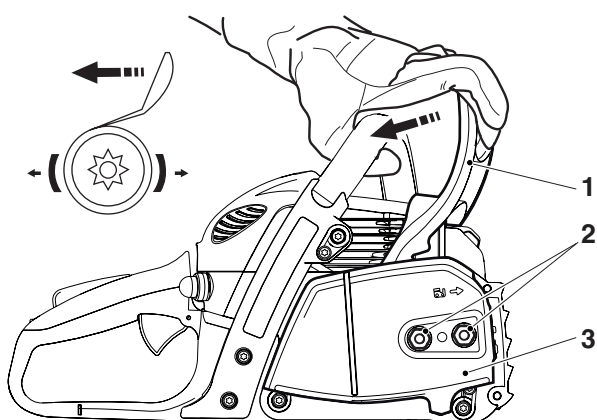
ATTENTION:

Pour tous travaux effectués sur le guide de la chaîne de sciage, le moteur doit être impérativement arrêté et la fiche de bougie doit être enlevée (voir paragraphe pour le remplacement de la bougie) et le port de gants de protection est obligatoire!

ATTENTION:

La tronçonneuse ne peut être démarrée qu'après le montage complet et le contrôle effectué!

Sur le guide-chaîne « QuickSet », la chaîne est tendue via un système de crémaillère dans le guide-chaîne. La chaîne peut être ainsi retendue avec plus de facilité. Ce modèle ne contient plus de tendeur de chaîne traditionnel. Le guide-chaîne QuickSet est identifiable par cet étiquette:



Montage du guide et de la chaîne de sciage

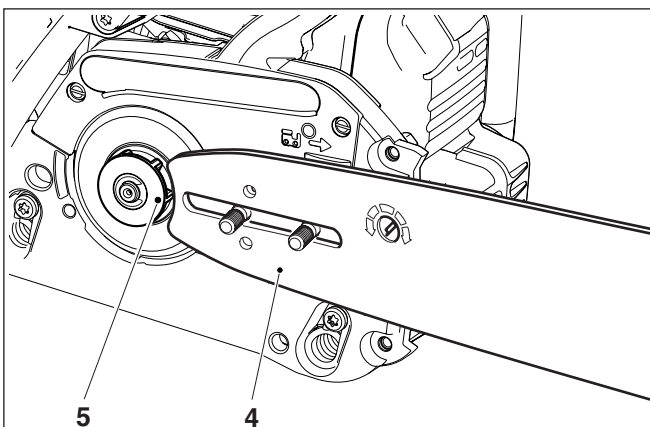
Utiliser la clé combinée livrée avec la machine pour les travaux suivants.

Placer la tronçonneuse sur un support stable et exécuter les opérations suivantes pour le montage de la chaîne de sciage et du guide de la chaîne.

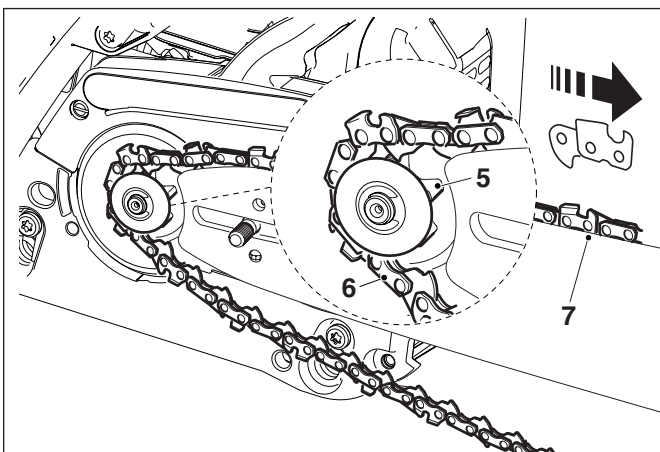
Desserrer le frein de chaîne. Pour cela, tirer le protège-main (1) dans le sens de la flèche.

Dévisser les écrous de fixation (2).

Retirer la protection de la roue à chaîne (3).



Poser le guide-chaîne (4) et pousser contre le pignon à chaîne (5).



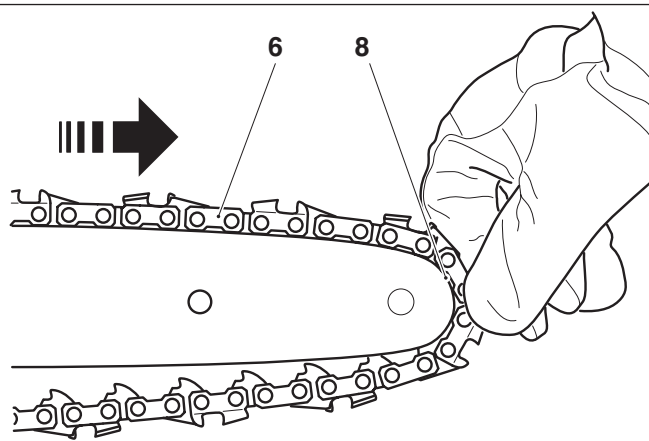
Poser la chaîne de sciage (6) sur le plateau (5).

Introduire la chaîne de sciage vers le haut environ jusqu'à moitié dans la rainure de guidage (7) du guide.

ATTENTION:

Les arêtes coupantes de la chaîne de sciage doivent être dirigées dans le sens de la flèche sur la partie supérieure du guide!

Guider la chaîne de sciage (6) autour de l'étoile de renvoi (8) du guide de la chaîne, en tirant légèrement la chaîne de sciage dans le sens de la flèche.



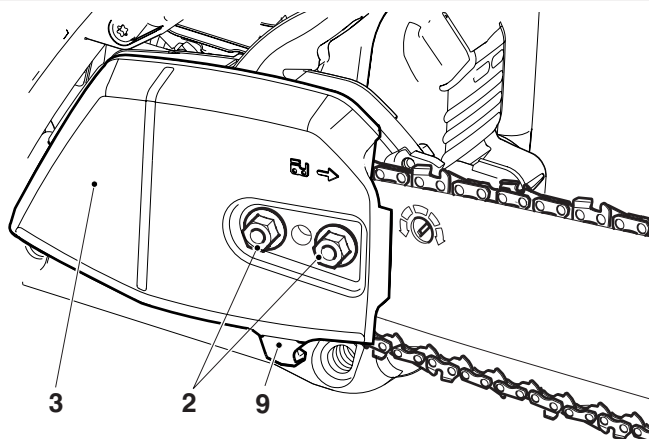
Poser la protection de la roue à chaîne (3).



ATTENTION:

La chaîne de scie doit être soulevée au-dessus de l'arrête-chaîne (9).

Serrer d'abord à la main les écrous de fixation (2).



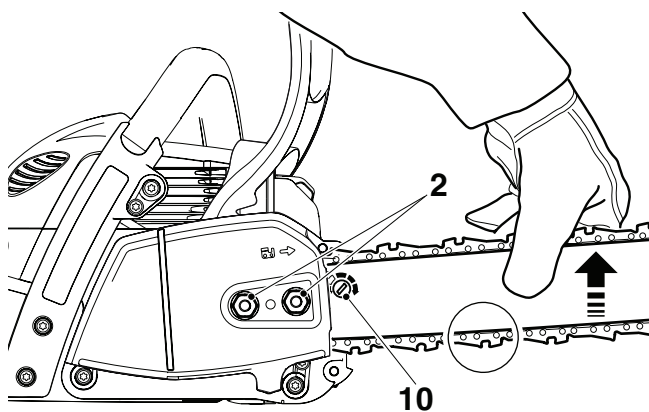
Tendre la chaîne

Tourner le tendeur de chaîne « QuickSet » (10) avec la clé combinée vers la droite (dans le sens des aiguilles) jusqu'à ce que les maillons de la chaîne s'engrènent dans la rainure de guidage de la face inférieure du guide (tirer légèrement la chaîne jusqu'au bout si nécessaire).

Lever légèrement la pointe du guide-chaîne et continuer à tourner le tendeur de chaîne (10) jusqu'à ce que la chaîne soit contre la face inférieure du guide (voir cercle).

Continuer à relever la pointe du guide et serrer les écrous de fixation (2) à bloc avec la clé combinée.

NOTE : Si le guide-chaîne a été tourné, le tendeur de chaîne doit être tourné vers la gauche (donc dans le sens inverse des aiguilles) pour tendre la chaîne.



Contrôle de la tension de la chaîne

Une tension correcte de la chaîne est réalisée lorsque la chaîne s'applique sur le rail inférieur et qu'elle peut encore être légèrement écartée du guide à la main.

Ce faisant, le frein de la chaîne doit être libéré.

Contrôler fréquemment la tension de la chaîne, les chaînes neuves ayant tendance à s'allonger!

Par conséquent, vérifier souvent la tension de la chaîne le moteur étant arrêté.

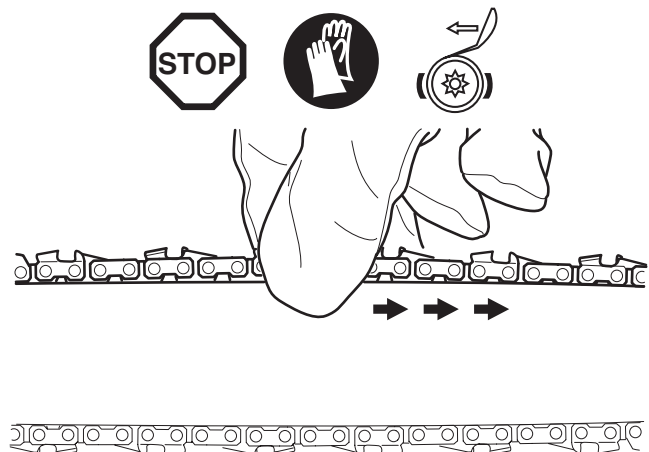
REMARQUE: En pratique, on devrait utiliser alternativement 2 à 3 chaînes de sciage.

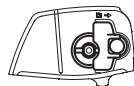
Pour atteindre une usure régulière des rails, on devra retourner le guide de la chaîne lors du changement de la chaîne.

Retendre la chaîne

Desserrer les écrous de fixation (2) d'un tour environ avec la clé combinée. Lever légèrement la pointe du guide-chaîne et continuer à tourner le tendeur de chaîne « QuickSet » (10) vers la droite (dans el sens des aiguilles) jusqu'à ce que la chaîne soit à nouveau contre la face inférieure du guide (voir cercle).

Continuer à relever la pointe du guide et serrer les écrous de fixation (2) à bloc avec la clé combinée.

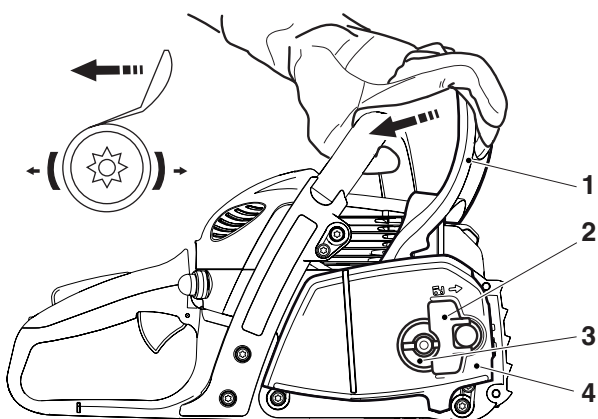




Uniquement pour les modèles munis d'un tendeur rapide sur le protège-pignon (EA3501S)

ATTENTION:
Pour tous travaux effectués sur le guide de la chaîne de sciage, le moteur doit être impérativement arrêté et la fiche de bougie doit être enlevée (voir paragraphe pour le remplacement de la bougie) et le port de gants de protection est obligatoire!

ATTENTION:
La tronçonneuse ne peut être démarrée qu'après le montage complet et le contrôle effectué!



Montage du guide et de la chaîne de sciage

Poser la tronçonneuse sur un sol stable et effectuer les étapes suivantes pour le montage de la chaîne et du guide-chaîne:

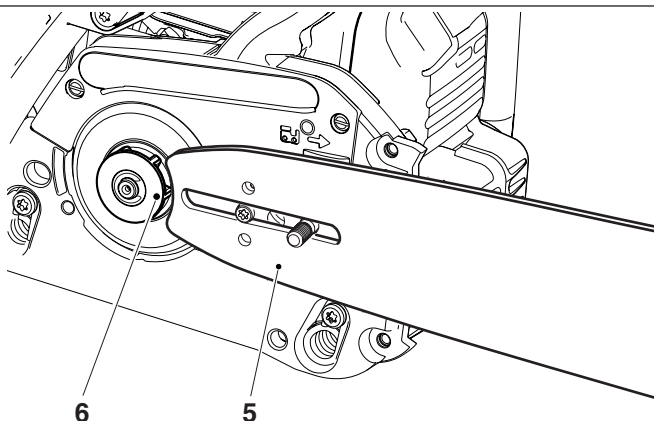
Desserrer le frein de chaîne. Pour cela, tirer le protège-main (1) dans le sens de la flèche.

Relever le tendeur rapide du pignon à chaîne (2) (voir aussi Figure « Tendre la chaîne »).

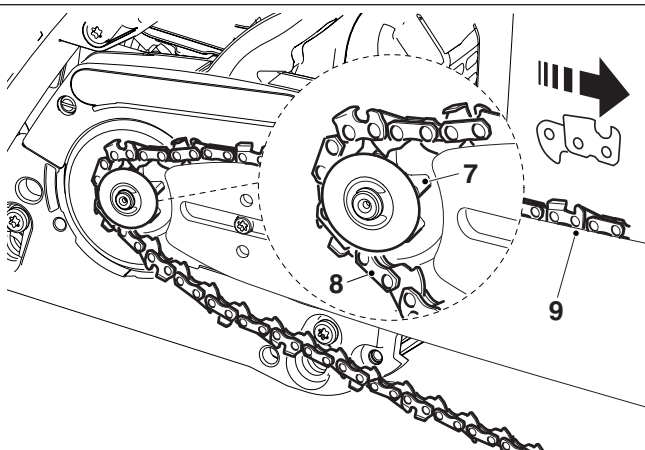
Enfoncer le tendeur rapide du protège-pignon contre la tension du ressort et tourner lentement **dans le sens inverse des aiguilles** jusqu'à ce qu'il s'enclenche. Continuer à pousser et tourner le plus possible dans le sens inverse des aiguilles.

Relâcher le tendeur rapide du protège-pignon (réduire la tension) et le remettre à la position initiale en tournant **dans le sens des aiguilles** et répéter l'opération autant de fois que nécessaire jusqu'à ce que le protège-pignon (4) soit dévissé.

Enlever le protège-pignon (4).



Poser le guide-chaîne (5) et pousser contre le pignon à chaîne (6).

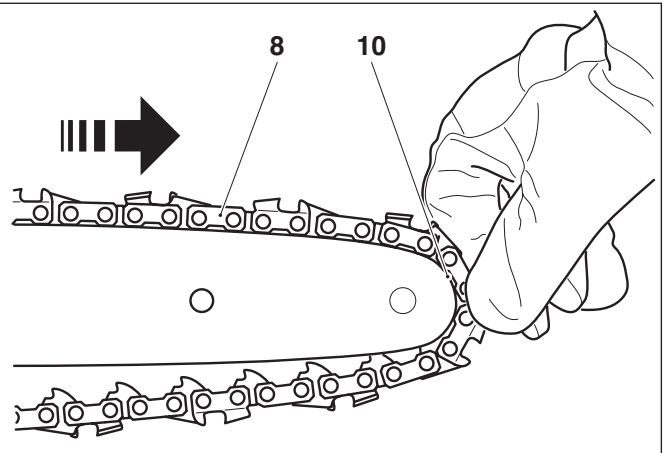


Poser la chaîne de sciage (8) sur le plateau (7).

Introduire la chaîne de sciage vers le haut environ jusqu'à moitié dans la rainure de guidage (9) du guide.

ATTENTION:
Les arêtes coupantes de la chaîne de sciage doivent être dirigées dans le sens de la flèche sur la partie supérieure du guide!

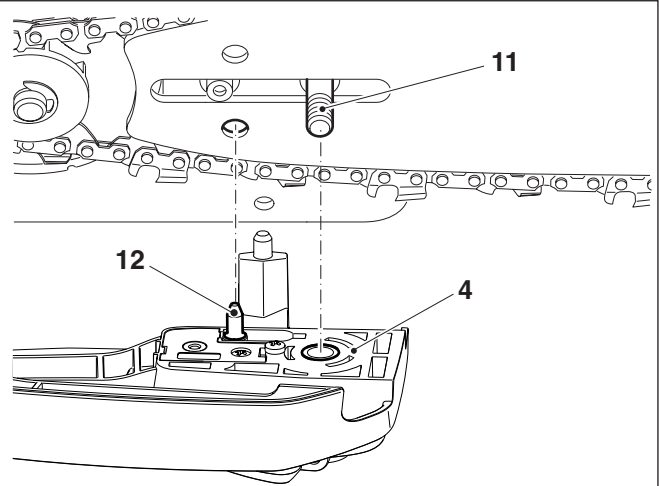
Guider la chaîne de sciage (8) autour de l'étoile de renvoi (10) du guide de la chaîne, en tirant légèrement la chaîne de sciage dans le sens de la flèche.



Aligner les perçages de positionnement situés sur le protège-pignon (4) sur le boulons d'entretoisement (11).

En tournant le tendeur de chaîne (3, cf. « Tendre la chaîne de sciage »), faire correspondre le boulon de tension de chaîne (12) avec le perçage du guide.

Pousser le protège-pignon (4) sur le boulon d'entretoisement.

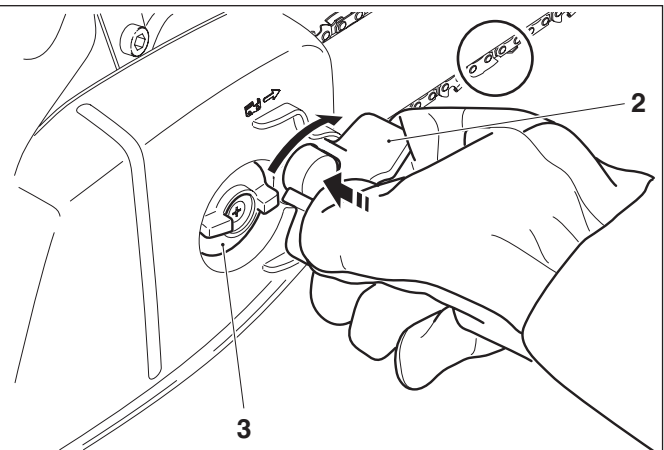


Tendre la chaîne de sciage

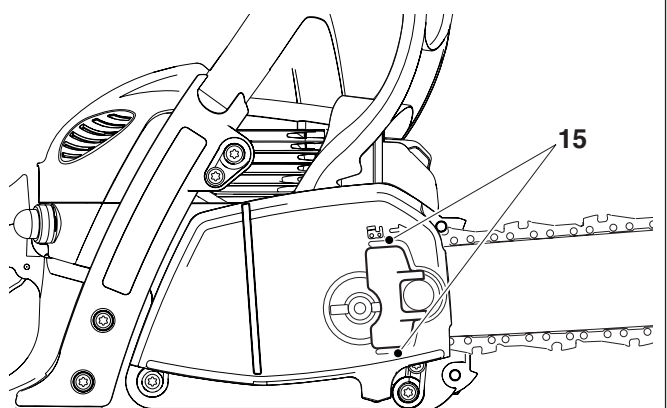
En enfonçant fortement et en tournant en même temps le tendeur rapide du protège-pignon (2, dans le sens des aiguilles), visser le protège-pignon, mais ne pas encore le serrer à bloc.

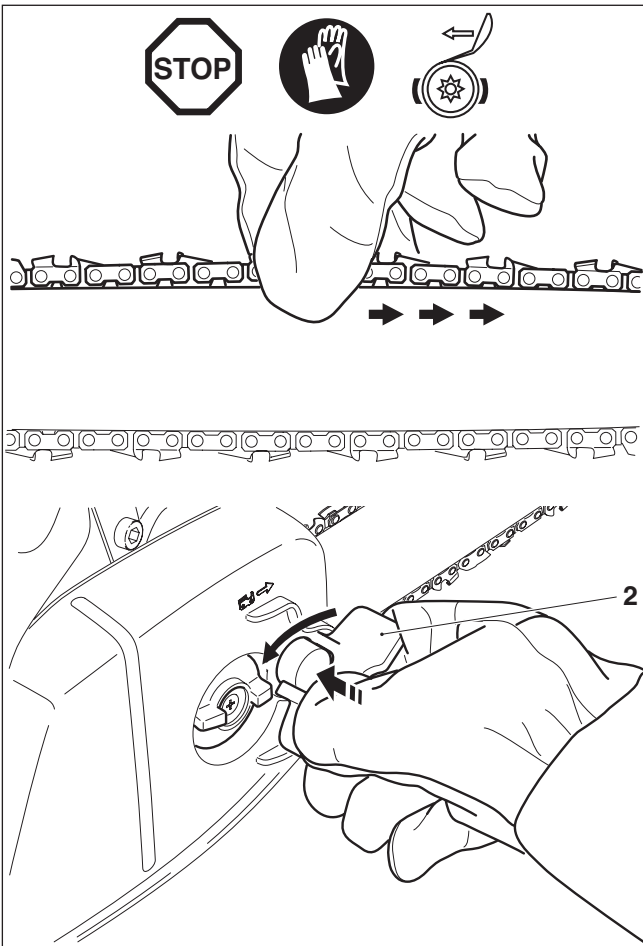
Soulever légèrement la pointe du guide et tourner le tendeur de chaîne (3) dans le sens des aiguilles jusqu'à ce que la chaîne s'enclenche dans la rainure de guidage de la face inférieure du guide (voir cercle).

Enfoncer de nouveau le tendeur rapide du protège-pignon (2) et le serrer à bloc dans le sens des aiguilles.



Relâcher le tendeur rapide du protège-pignon (réduire la tension) jusqu'à ce qu'il puisse tourner librement, et le replier entre les ailettes de protection (15) comme montré sur la Figure.





Contrôle de la tension de la chaîne

Une tension correcte de la chaîne est réalisée lorsque la chaîne s'applique sur le rail inférieur et qu'elle peut encore être légèrement écartée du guide à la main.

Ce faisant, le frein de la chaîne doit être libéré.

Contrôler fréquemment la tension de la chaîne, les chaînes neuves ayant tendance à s'allonger!

Par conséquent, vérifier souvent la tension de la chaîne le moteur étant arrêté.

REMARQUE:

En pratique, on devrait utiliser alternativement 2 à 3 chaînes de sciage.

Pour atteindre une usure régulière des rails, on devra retourner le guide de la chaîne lors du changement de la chaîne.

Retendre la chaîne

Pour retendre la chaîne, il suffit seulement de desserrer légèrement le tendeur rapide (2), voir section « Montage du guide et de la chaîne de sciage ».

La chaîne se tend comme décrit dans les paragraphes précédents.

Pour tous les modèles

Frein de chaîne

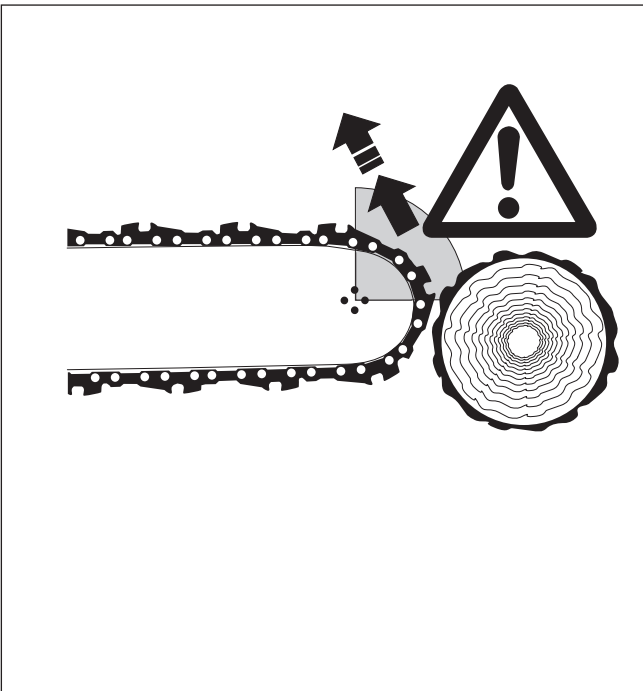
Les modèles EA3500S et EA3501S sont équipés en série d'un frein de chaîne à déclenchement d'accélération. Si un contrecoup se produit (kickback), dû à un heurt de la pointe du guide contre le bois (voir chapitre « CONSIGNES DE SECURITE » à la page 47, 51), le frein de chaîne se déclenche automatiquement en cas de contrecoup suffisamment fort par inertie de masse.

La chaîne de sciage est interrompue pendant une fraction de seconde.

Le frein de chaîne n'est prévue que pour des cas d'urgence et pour le blocage de la chaîne avant le démarrage.

ATTENTION: Ne jamais utiliser la tronçonneuse quand le frein de chaîne est déclenché (sauf pendant le contrôle, voir chaîne « Contrôle du frein de chaîne »), **sinon la tronçonneuse risque de s'abîmer en très peu de temps!**

Desserrer impérativement le frein de chaîne avant de commencer à travailler!



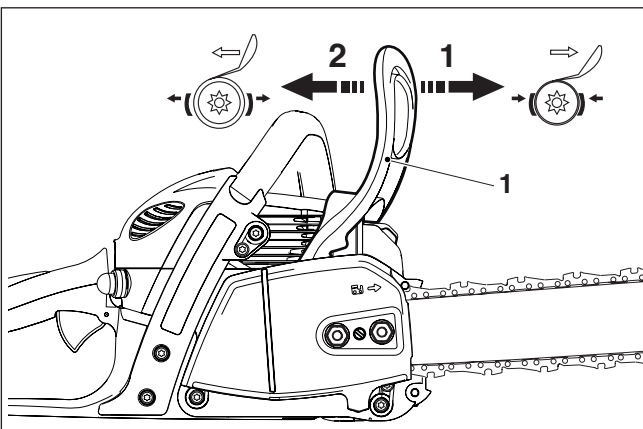
Enclencher le frein de chaîne (bloquer)

En cas de contrecoup suffisamment fort, le frein de chaîne **se déclenche automatiquement** dû à l'accélération rapide de la chaîne de sciage et à l'inertie de masse du protège-main (1).

Lors d'un enclenchement **manuel** le protège-main (1) est poussé par la main gauche en direction de la pointe du guide de la chaîne (flèche 1).

Libérer le frein à main

Tirer le protège-main (1) en direction de la poignée en étrier (flèche 2) jusqu'à son enclenchement. Le frein à main est libéré.



Carburants

ATTENTION:

L'appareil est utilisé avec des produits de pétrole (essence et huile)!

Votre attention est requise lorsque vous manipulez l'essence.

Il est interdit de fumer et tout feu immédiat n'est pas autorisé (risque d'explosion).

Mélange carburant

Le moteur de cet appareil est un moteur à deux temps de haute capacité refroidi à l'air. Ce moteur est alimenté par un mélange de carburant et d'huile moteur deux temps.

La conception du moteur a été réalisée pour fonctionner à l'essence normal sans plomb avec un degré d'octane minimum de 89 (R+M)/2. Si un tel type de carburant n'était pas disponible, on peut aussi utiliser un carburant d'un degré d'octane plus élevé. Le moteur n'en subit aucun dommage.

Pour un fonctionnement optimal, ainsi que pour la protection de la santé et de l'environnement, utilisez toujours un carburant sans plomb.

Le graissage du moteur est réalisé par une huile moteur à deux temps synthétique pour moteurs à deux temps refroidis à l'air (échelle de qualité JASO FC ou ISO-L-EGD) qui est additionnée au carburant. En usine le moteur a été réglé pour l'huile synthétique moteur deux temps de MAKITA avec un rapport de mélange de 50:1. Ceci garantit une longue durée de vie et un fonctionnement fiable avec un très faible dégagement de fumées du moteur.

L'huile synthétique deux temps de MAKITA (50:1) peut être livrée selon les besoins dans des bidons aux contenances suivantes:

2,6 flz. N° de commande T-00745
6,4 flz. N° de commande T-00739

En cas de non-disponibilité d'huile synthétique deux temps de MAKITA, il est impératif d'observer un rapport de mélange de 50:1 en cas d'utilisation d'autres huiles synthétiques deux temps. Sinon, un fonctionnement impeccable ne peut être garanti.



Réalisation du rapport correct du mélange

50:1 En utilisant l'huile synthétique deux temps de MAKITA, ceci signifie mélanger 50 parties d'essence avec une partie d'huile.

50:1 En utilisant une autre huile synthétique moteur deux temps (échelle de qualité JASO FC ou ISO-L-EGD), ceci signifie mélanger 50 parties d'essence avec une partie d'huile

REMARQUE: Pour fabriquer le mélange essence-huile, il faut toujours mélanger préalablement le volume d'huile prévu dans la moitié du volume d'essence, puis y ajouter le volume d'essence restant. Avant de remplir la tronçonneuse avec le mélange, bien secouer le mélange terminé.



Carburant	+	50:1 autre huile
		
1,0 Us-gal. (3,7 l) 2,5 Us-gal. (9,4 l) 5,0 Us-gal. (18,9 l)		2,6 flz. (75 cm ³) 6,4 flz. (189 cm ³) 12,8 flz. (378 cm ³)

Il n'est pas raisonnable que par excès de conscience de sécurité d'augmenter la part d'huile au delà du rapport indiqué du mélange, le résultat serait plus de résidus de combustion ce qui polluerait l'environnement et boucherait la sortie d'échappement dans le cylindre, ainsi que le silencieux. En outre, la consommation de carburant augmenterait et la puissance diminuerait.

Stockage de carburants

Les carburants ne sont stockables que de manière restreinte. Le carburant et les mélanges de carburant vieillissent par évaporation sous l'effet de températures élevées. Le carburant et les mélanges de carburant stockés pendant une trop longue durée peuvent entraîner des problèmes de démarrage et endommager le moteur. N'acheter que la quantité de carburant à consommer en l'espace de quelques mois. Consommer le carburant mélangé en 6-8 semaines en cas de températures élevées.

Ne transporter et ne stocker le carburant et l'huile de chaîne que dans des nourrices agréées et portant les indications nécessaires. Stocker le carburant uniquement au sec, au froid et en toute sécurité!

EVITEZ LE CONTACT AVEC LA PEAU ET LES YEUX

Les produits pétroliers, ainsi que les huiles, dégraissent la peau. Lors d'un contact répété et prolongé la peau se dessèche. Les suites peuvent être différentes maladies de peau. D'autre part, on connaît les réactions allergiques.

Le contact avec les yeux de l'huile conduit à des irritations. en cas de contact, rincer immédiatement l'oeil avec de l'eau claire. Si l'irritation continue, consulter immédiatement un médecin.

Huile de chaîne de sciage



Pour le graissage de la chaîne de sciage et du rail, il faut utiliser une huile de chaîne avec un additif d'adhérence. L'additif d'adhérence à l'huile de chaîne empêche une rapide jetée de l'huile du dispositif de sciage.

Pour protéger l'environnement, il est conseillé d'utiliser une huile de chaîne biodégradable. Souvent, les instances régionales prescrivent l'utilisation d'huiles biodégradables.

L'huile de chaîne de sciage BIOTOP proposée par MAKITA est fabriquée à base d'huiles végétales sélectionnées et elle est 100% biodégradable. BIOTOP porte comme référence l'ange bleu d'environnement (RAL UZ 48).



L'huile de chaîne biodégradable ne se conserve que pendant un temps limité et devra être utilisée dans un délai de 2 ans après la date de fabrication imprimée.

Remarque importante pour les huiles de chaîne de sciage bio

Avant une longue mise hors service, le réservoir à huile doit être vidé et rempli ensuite d'un peu d'**huile moteur** (SAE 30). Ensuite, faire marcher la tronçonneuse pendant quelques temps de manière à rincer les restes d'huile bio du réservoir, du système de conduite d'huile et du dispositif de sciage. Cette mesure est indispensable car différentes huiles bio ont tendance à coller ce qui peut

détériorer la pompe à huile ou des éléments d'alimentation d'huile. Lors de la remise en marche, verser à nouveau l'huile de chaîne BIOTOP. Les dommages résultant de l'utilisation d'huiles usagées ou d'huiles de chaîne non appropriées ne sont pas couverts par la garantie.

Votre vendeur spécialisé vous informe sur la manipulation et l'utilisation d'huile de chaîne de sciage.



N'UTILISEZ JAMAIS DE HUILES USAGÉES

Une huile usagée est extrêmement dangereuse pour l'environnement!

Les huiles usagées contiennent une grande part de produits connus pour être cancérogènes.

Les souillures dans les huiles usagées amènent une grande usure de la pompe à huile et du dispositif de sciage.

Les dommages résultant de l'utilisation d'huiles usagées ou d'huiles de chaîne non appropriées ne sont pas couverts par la garantie.

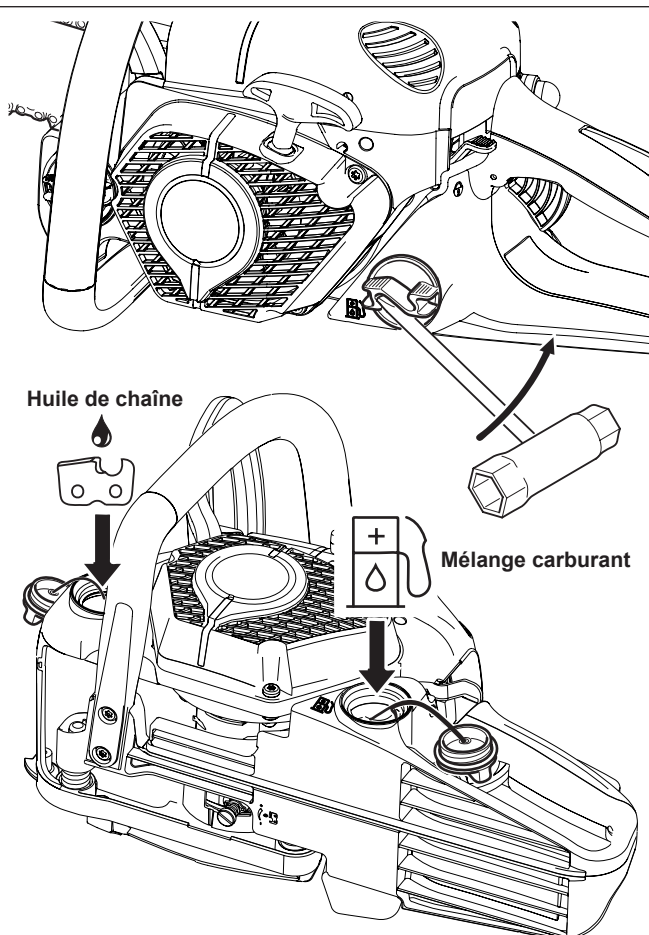
Votre vendeur spécialisé vous informe sur la manipulation et l'utilisation d'huile de chaîne de sciage.

ÉVITEZ LE CONTACT AVEC LA PEAU ET LES YEUX

Les produits pétroliers, ainsi que les huiles, dégraissent la peau. Lors d'un contact répété et prolongé la peau se dessèche. Les suites peuvent être différentes maladies de peau. D'autre part, on connaît les réactions allergiques.

Le contact avec les yeux de l'huile conduit à des irritations. en cas de contact, rincer immédiatement l'oeil avec de l'eau claire.

Si l'irritation continue, consulter immédiatement un médecin.



Remplissage des réservoirs



RESPECTER IMPÉRATIVEMENT LES RÈGLES DE SÉCURITÉ!

La manipulation de carburants exige une manipulation avec précaution et prudence.

Ne le faire que si le moteur est arrêté!

Bien nettoyer le pourtour des emplacements de remplissage pour éviter la pénétration de saletés dans le réservoir de mélange de carburant ou d'huile.

Desserrer le bouchon du réservoir (le dévisser si nécessaire avec la clé universelle, cf. Figure) et verser le mélange de carburant ou l'huile de chaîne de sciage jusqu'au bord inférieur de la tubulure de remplissage. Verser avec précaution pour ne pas renverser de mélange de carburant ou d'huile de chaîne de sciage.

Visser le bouchon du réservoir à la fin jusqu'à la butée.

Nettoyer le capuchon et le pourtour après remplissage!

Graissage de la chaîne de sciage



Pour graisser suffisamment la chaîne de sciage, l'huile de chaîne de sciage doit être toujours suffisante dans le réservoir. La contenance du réservoir suffit pour la durée d'un plein à un débit moyen. Vérifier pendant le travail s'il y a suffisamment d'huile de chaîne dans le réservoir, le remplir si nécessaire. **Seulement à l'arrêt du moteur!** Bien serrer le bouchon du réservoir à la main jusqu'à la butée.

Vérifier le graissage de la chaîne

Ne jamais scier sans graissage suffisant. Vous risquez sinon de réduire la durée de vie du dispositif de sciage!

Vérifier avant de démarrer le travail la quantité d'huile dans le réservoir, ainsi que le débit d'huile.

Le débit d'huile peut être vérifié de la manière suivante:

Démarrer la tronçonneuse (voir chapitre «Démarrer le moteur»).

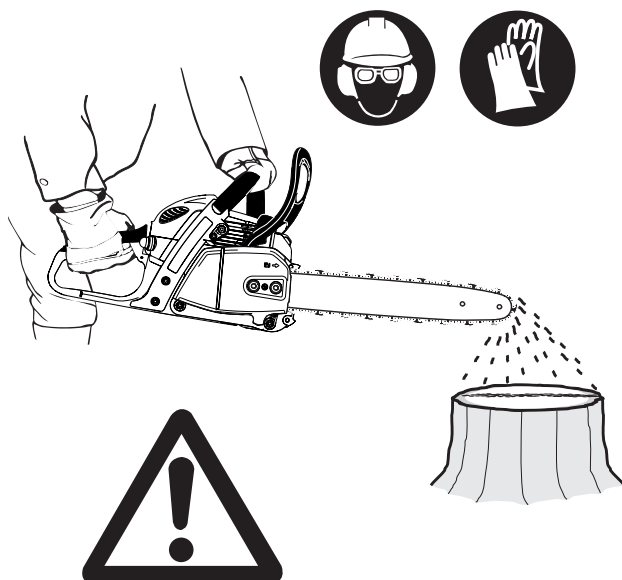
Maintenir la chaîne de sciage en marche env. 6" (15 cm) par dessus une souche d'arbre ou le sol (choisir une base adéquate).

Lorsque le graissage est suffisant, on doit observer une légère trace d'huile par l'huile éjectée. Faire attention à la direction du vent et ne pas s'exposer inutilement à la vapeur d'huile.

Remarque:

Après la mise hors service de la tronçonneuse, il est normal que de petites quantités d'huile de chaîne restant encore dans le système de conduite d'huile et sur le guide s'écoulent encore un certain temps. Il ne s'agit pas d'un défaut dans ce cas.

Utiliser un support adéquat!



Réglage du graissage de la chaîne



A effectuer que si le moteur est arrêté!

Le débit de l'huile est réglable avec la vis de réglage (1). La vis de réglage se trouve sur le dessous du carter.

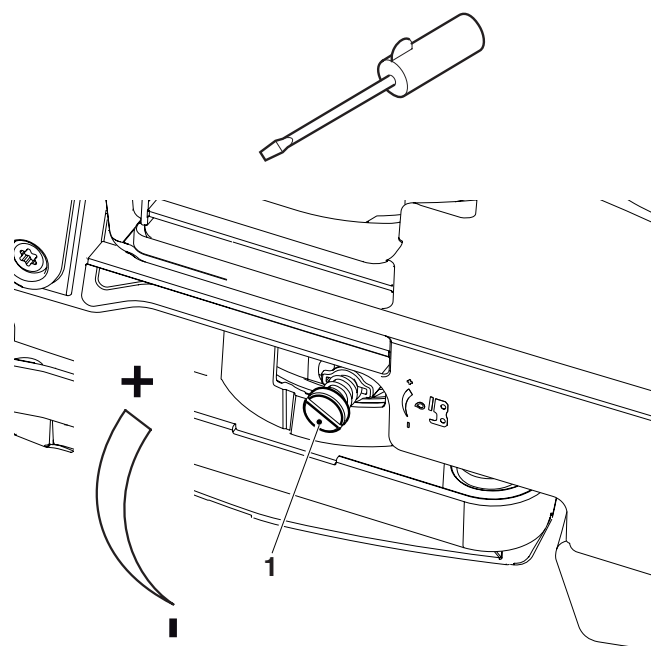
La pompe à huile est réglée en usine sur un débit minimal. Deux réglages sont possibles pour le débit : minimal et maximal.

Pour changer le débit, tourner au moyen d'un petit tournevis:

- vers la droite pour augmenter le débit
- vers la gauche pour réduire le débit.

Choisir l'un de deux réglages en fonction de la longueur du guide.

Vérifier pendant le travail qu'il y a suffisamment d'huile à chaîne dans le réservoir. Si nécessaire, faire l'appoint.

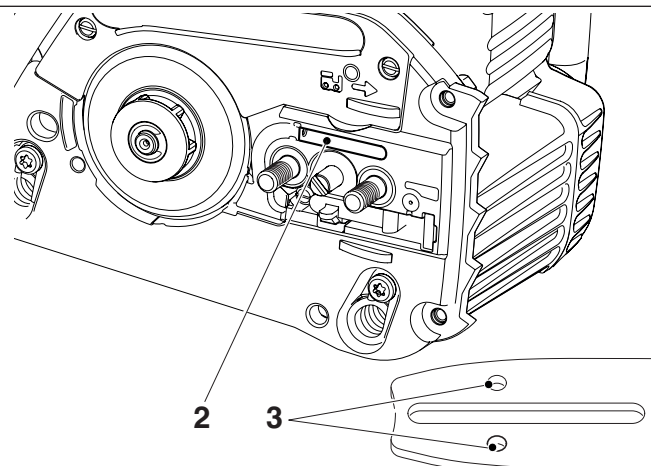


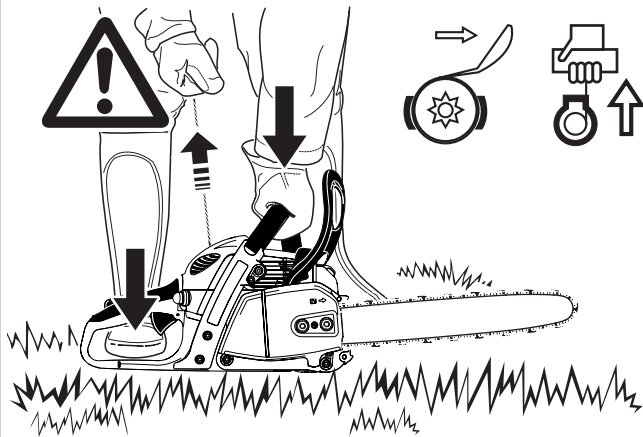
Pour que la pompe à huile fonctionne toujours parfaitement, la rainure de guidage d'huile sur le carter du vilebrequin (2), ainsi que les orifices d'entrée d'huile dans le guide de la chaîne (3) doivent régulièrement être nettoyés.

Remarque:

Après la mise hors service de la tronçonneuse, il est normal que de petites quantités d'huile de chaîne restant encore dans le système de conduite d'huile et sur le guide s'écoulent encore un certain temps. Il ne s'agit pas d'un défaut dans ce cas.

Utiliser un support adéquat!





Démarrer le moteur

La tronçonneuse ne peut être démarrée qu'après le montage complet et le contrôle effectué!

Démarrer le moteur au moins 10 pieds (3 m) de l'endroit du réservoir.

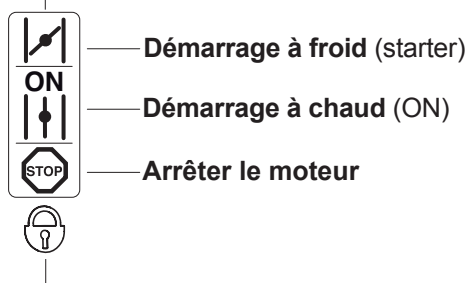
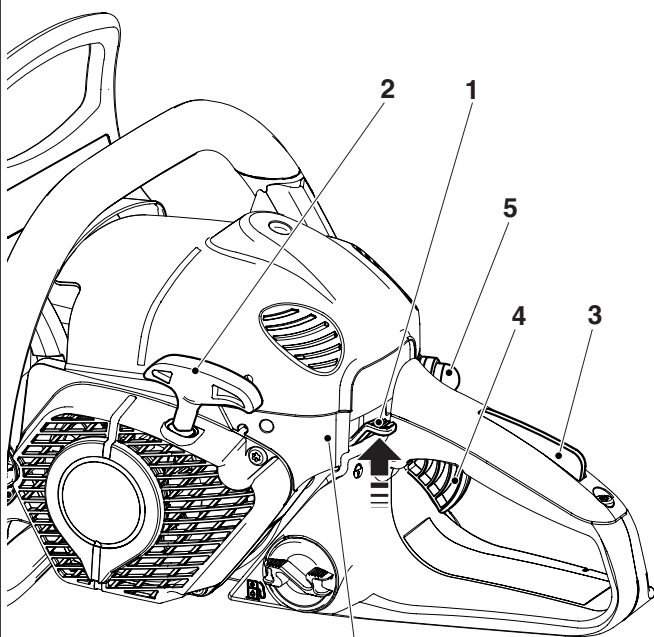
Prendre une position stable et sûre, puis placer la tronçonneuse sur le sol pour que le dispositif de sciage soit dégagé.

Libérer le frein de chaîne (bloquer).

Saisir fermement la poignée-étrier avec une main et plaquer la tronçonneuse sur le sol.

Placer la pointe du pied droit dans le protège-main arrière.

Note: Le système de démarrage facile à ressorts permet de démarrer la tronçonneuse démarre sans déployer de grands efforts. Effectuer le lancement d'un coup sec et régulier!



Bouton multi-positions en position Sécurité

(circuit d'allumage interrompu, nécessaire en cas de travaux d'entretien et de montage)

Démarrage à froid:

Actionner la pompe à essence (5) en appuyant plusieurs fois jusqu'à ce que l'essence soit visible dans la pompe.

Appuyer sur le bouton multi-positions (1) vers le haut (position Starter). Ceci actionne simultanément la fonction de blocage mi-gaz.

Tirer la poignée de lancement (2) de manière rapide et régulière.

ATTENTION: Ne pas retirer le cordon de lancement de plus de 20" (50 cm) et le ramener lentement à la main.

Répéter le lancement 2 fois.

Appuyer sur le bouton multi-positions (1) au centre « ON ». Retirer sur la poignée de lancement de manière rapide et régulière. Dès que le moteur tourne, serrer la poignée (la touche de blocage de sécurité (3) est pressée par la paume de la main) et presser légèrement l'accélérateur (4). L'arrêt d'admission réduite s'annule et le moteur tourne au ralenti.

ATTENTION: le moteur doit être mis au ralenti dès le démarrage pour éviter d'endommager l'embrayage.

Libérer maintenant le frein de chaîne.



Démarrage à chaud:

Comme décrit pour le démarrage à froid, appuyer sur le bouton multi-positions (1) vers le haut (position starter) et de nouveau au centre « ON » pour activer uniquement la fonction de blocage mi-gaz. Si le moteur ne tourne pas après avoir tiré 2 ou 3 fois, répéter l'opération de démarrage intégrale comme décrit dans la section Démarrage à froid.


REMARQUE: Si le moteur est arrêté seulement pour un instant, le démarrage peut être effectué sans appuyer sur le bouton multi-positions.

Note importante: Si le réservoir à essence est entièrement vide et le moteur s'arrête dû au manque d'essence, actionner la pompe à essence (5) après avoir versé l'essence en appuyant plusieurs fois jusqu'à ce que l'essence soit visible dans la pompe.

Arrêter le moteur

Appuyer sur le bouton multi-touches (1) vers le bas .

REMARQUE: Le bouton multi-positions revient en position « ON » après l'avoir enfoncé. Le moteur est arrêté, mais peut être aussi lancé sans devoir appuyer de nouveau sur le bouton multi-positions.

ATTENTION: Pour interrompre le courant d'allumage, appuyer entièrement sur le bouton multi-positions pour le mettre en position .

Vérifier le frein de chaîne

Le frein de chaîne doit être vérifié avant de commencer tous travaux.

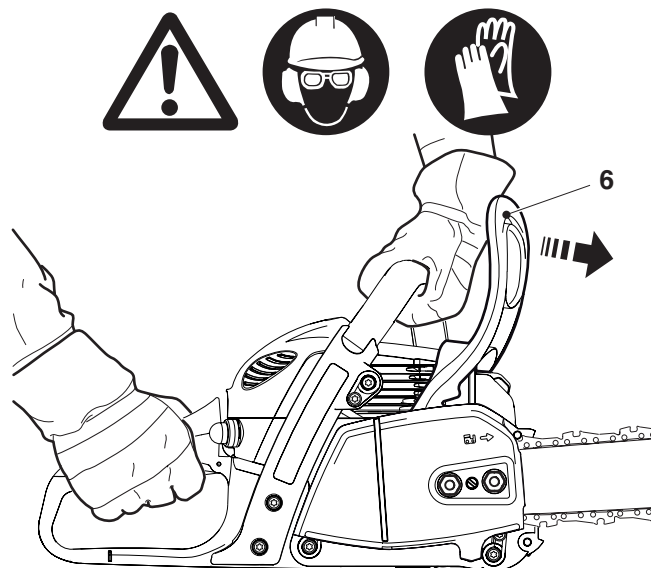
Démarrer le moteur comme décrit (prendre une position stable et poser la tronçonneuse sur le sol de façon à ce que le dispositif de sciage soit libre).

Bien tanier la poignée-étrier d'une main, l'autre main étant sur la manette.

Laisser tourner le moteur à mi-vitesse et appuyer sur le protège-mains (6) avec le dos de la main dans la sens de la flèche jusqu'à ce que le frein de chaîne se bloque. La chaîne de sciage doit immédiatement s'immobiliser.

Faire tourner immédiatement le moteur au ralenti et redesserrer le frein de chaîne.

Attention: Si la chaîne de sciage ne s'immobilise pas immédiatement pendant ce contrôle, arrêter aussitôt le moteur. Il est interdit dans ce cas d'utiliser cette tronçonneuse. Consulter un atelier spécialisé MAKITA.



Réglage du carburateur

ATTENTION: Le carburateur ne peut être réglé que par un atelier agréé MAKITA!



Seules les rectifications au niveau de la vis de réglage (T) peuvent être effectuées par l'utilisateur de l'appareil. Au cas où l'outil de coupe tourne au ralenti (l'accélérateur n'est pas actionné), le réglage du ralenti doit être impérativement rectifié!

Le ralenti ne doit être réglé qu'après l'assemblage complet et le contrôle de l'appareil !

Le réglage du ralenti doit être effectué quand le moteur est chaud, le filtre à air propre et si l'outil de coupe a été correctement monté.

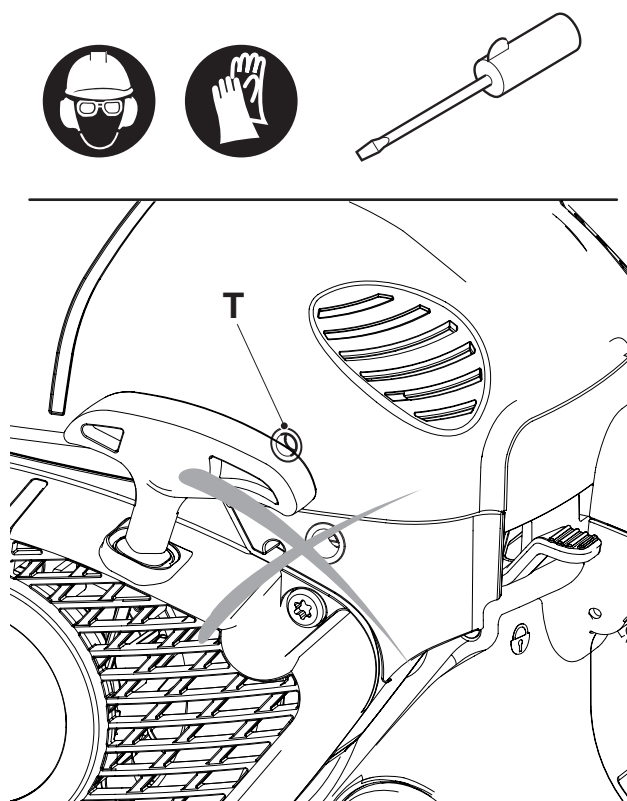
Effectuer le réglage avec un tournevis (largeur de lame de 4 mm).

Régler le ralenti

Dévisser la vis de réglage (T) dans le sens inverse des aiguilles = réduire le ralenti.

Visser la vis de réglage (T) dans le sens des aiguilles = augmenter le ralenti.

Attention: Ne travailler en aucun cas avec l'appareil si l'outil de coupe ne devait pas s'immobiliser même après avoir rectifié le ralenti. Consulter un atelier de réparation MAKITA!



TRAVAUX DE MAINTENANCE

Affûtage de la chaîne de sciage

ATTENTION: Pour tous travaux effectués sur le guide de la chaîne de sciage, le moteur doit être impérativement arrêté et la fiche de bougie doit être enlevée (voir paragraphe pour le remplacement de la bougie) et le port de gants de protection est obligatoire!

La chaîne de sciage doit être affûtée lorsque:

les copeaux deviennent farineux en sciant du bois humide.
la chaîne, tout en exerçant une forte pression, ne « tire » que péniblement dans le bois.

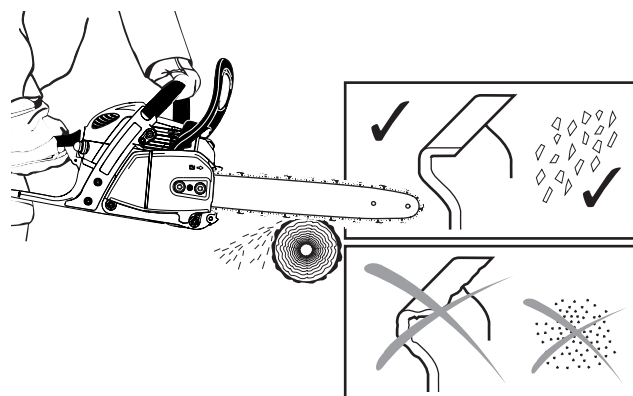
les arêtes de coupe sont visiblement endommagées.

le dispositif de sciage gauchit dans le bois latéralement vers la gauche ou la droite. La raison est un affûtage irrégulier de la chaîne de sciage.

Important: affûter souvent, sans enlever de trop de matériau!

Lors d'un simple affûtage, il suffit souvent de 2 à 3 coups de lime.

Après avoir effectué soi-même plusieurs affûtages, faire affûter la chaîne à l'atelier spécialisé.



Critères d'affûtage:

ATTENTION: N'utiliser que des chaînes et guide permis pour cette tronçonneuse (voir extrait de la liste de pièces de rechange)!

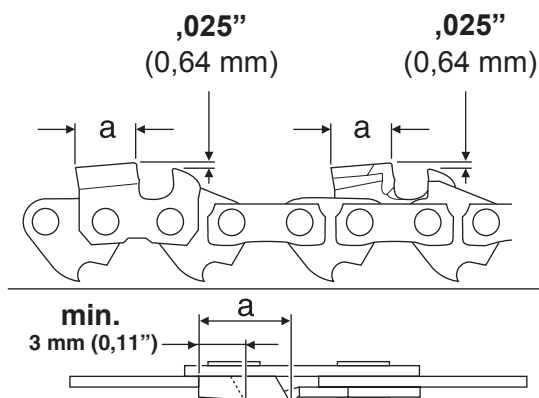
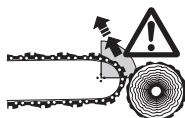
Toutes les dents de rabotage doivent avoir la même longueur (dimension a). Des dents de rabotage de hauteur différente signifient une marche dure de la chaîne et peuvent provoquer des ruptures de chaîne!

Longueur minimale de dent de rabotage = 0,11" (3 mm). Ne pas raffûter la chaîne de sciage lorsque la longueur minimale de dent de rabotage est atteinte. Une nouvelle chaîne de sciage doit être alors montée (voir « extrait de la liste des pièces de rechange » et chapitre « Nouvelle chaîne de sciage »).

L'écart entre le limiteur de profondeur (nez rond) et l'arête de coupe détermine l'épaisseur du copeau.

Les meilleurs résultats de coupe sont obtenus avec une distance du limiteur de profondeur de ,025" (0,64 mm).

ATTENTION: Une distance trop augmente le danger d'un choc de recul!



L'angle d'affûtage (α) doit être impérativement identique sur toutes les dents de rabotage.

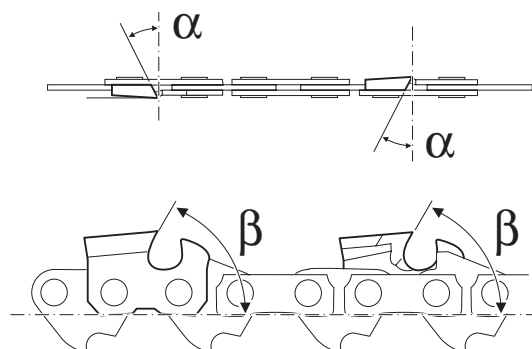
30° pour type de chaîne 492 (91PX), 290 (90SG), 291 (90PX)

L'angle d'attaque de la dent (β) se détermine en utilisant la lame ronde correcte.

80° pour type de chaîne 492 (91PX)

75° pour type de chaîne 290 (90SG), 291 (90PX)

Des angles différents provoquent une marche irrégulière et rude de la chaîne, augmentent l'usure et aboutissent à des ruptures de chaîne!



Lime et guidage de la lime

Pour aiguiser, utiliser une lame ronde spéciale pour chaîne de sciage. Les limes rondes normales ne sont pas appropriées. Numéro de commande, voir accessoires.

Type 492 (91PX) : Limite ronde pour chaîne de scie $\varnothing 5/32''$ (4,0 mm).

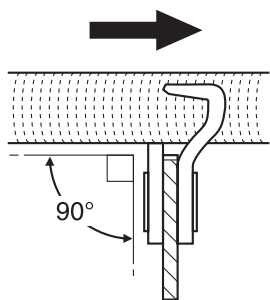
Type 290 (90SG), 291 (90PX) : Limite ronde pour chaîne de scie $\varnothing 11/64''$ (4,5 mm).

La lime ne doit attaquer que lors de la passe en avant (flèche). Lors du retour, relever la lime du matériel.

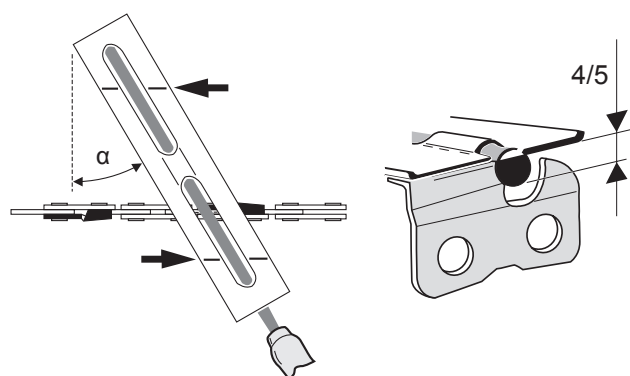
La dent de rabotage la plus courte est affûtée la première. La longueur de cette dent est alors la mesure type pour toutes les autres dents de rabotage de la chaîne de sciage.

Les nouvelles dents de rabotage doivent être exactement adaptées aux formes des dents usées, ainsi qu'aux surfaces de roulement.

Guider la lame en fonction du type de chaîne (90° vers le guide).



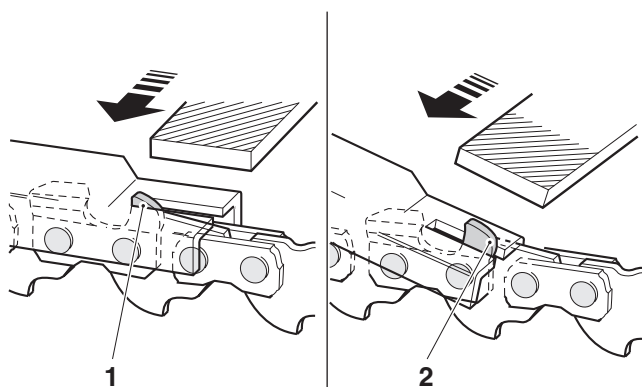
Type de chaîne
492 (91PX), 290 (90SG),
291 (90PX)



Un porte-lime facilite le guidage de la lame, il porte des repères pour l'angle d'affûtage correct de:

$$\alpha = 30^\circ$$

(orienter les repères parallèlement à la chaîne de scie) et limite la profondeur de pénétration ($4/5$ du diamètre de la lime).



A la suite du nouvel affûtage, vérifier la hauteur du limiteur de profondeur avec la jauge de mesure pour chaîne.

Enlever avec la lime plate spéciale (1) tout dépassement, même le moindre.

Arrondir à nouveau le limiteur de profondeur à l'avant (2).

Nettoyage de l'intérieur du pignon

ATTENTION: Pour tous travaux effectués sur le guide de la chaîne de sciage, le moteur doit être impérativement arrêté et la fiche de bougie doit être enlevée (voir paragraphe pour le remplacement de la bougie) et le port de gants de protection est obligatoire!

ATTENTION: La tronçonneuse ne peut être démarrée qu'après le montage complet et le contrôle effectué!

Retirer l'arrête-chaîne (1) (voir chapitre « MISE EN SERVICE » du modèle correspondant) et nettoyer l'intérieur avec un pinceau.

Enlever la chaîne de sciage (2) et le guide-rail de chaîne (3).

NOTE:

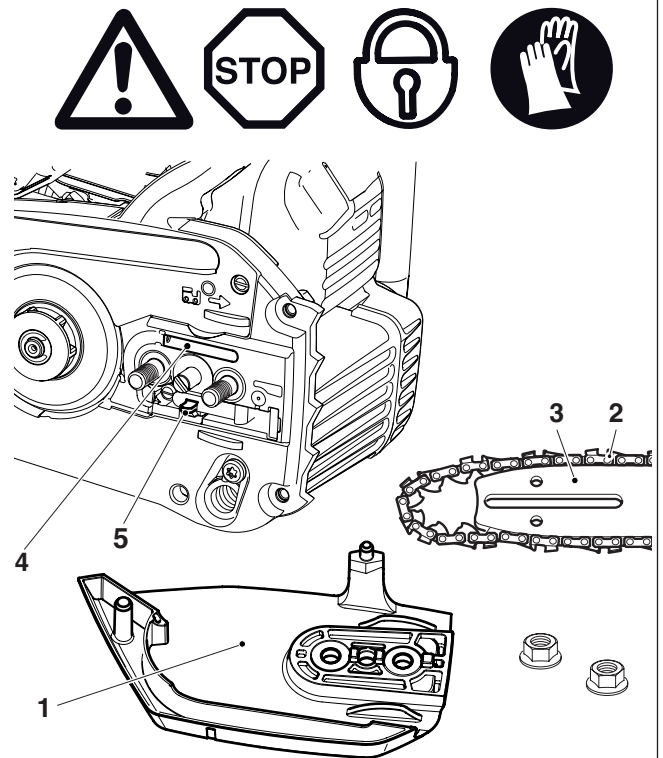
S'assurer qu'aucun résidu ne reste dans la rainure de guidage de l'huile (4) et sur le tendeur de chaîne (5).

Montage de guide-chaîne, chaîne de scie et arrête-chaîne, voir chapitre « MISE EN SERVICE » du modèle correspondant.

REMARQUE:

Le frein de chaîne est un dispositif de sécurité très important et il est soumis comme chaque pièce à une certaine usure.

Une vérification et une maintenance régulières servent à vous assurer votre propre protection et doivent être effectuées par un atelier spécialisé MAKITA.

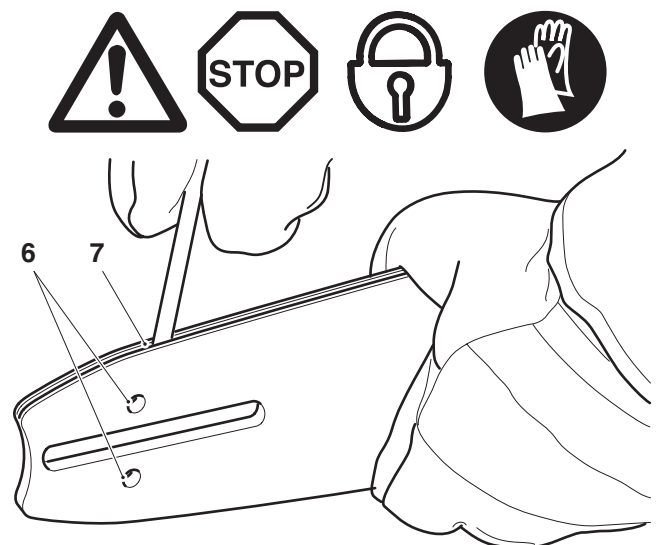


Nettoyer le guide de la chaîne

ATTENTION! Porter impérativement des gants de protection.

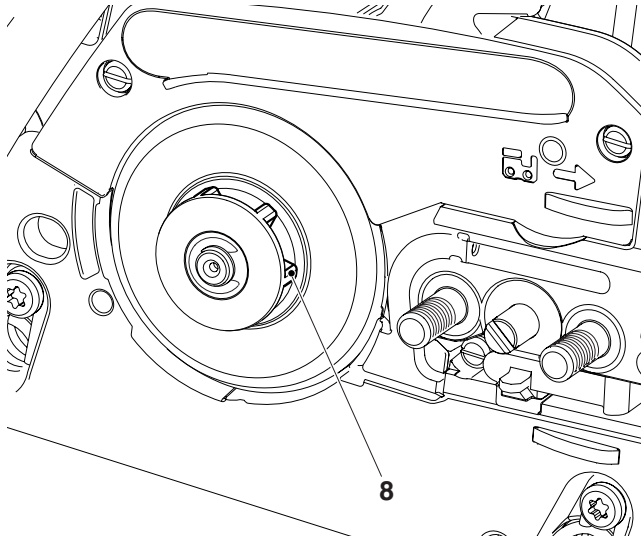
Les surfaces de roulement du guide de chaîne (7) doivent être régulièrement vérifiées pour voir si elles ne sont pas endommagées et nettoyées avec un outillage adapté.

Garder les deux orifices de versement d'huile (6) et l'ensemble du guide-chaîne à l'état propre!



Nouvelle chaîne de sciage

ATTENTION: N'utiliser que des chaînes et guide permises pour cette tronçonneuse (voir extrait de la liste de pièces de rechange)!



Avant de monter une nouvelle chaîne de sciage, il faut vérifier l'état de la roue à chaîne.

Des roues à chaîne usées (8) provoquent des détériorations sur une nouvelle chaîne de sciage et doivent impérativement être remplacées.

Enlever la protection de roue à chaîne (voir chapitre « MISE EN ROUTE »).

Enlever la chaîne de sciage et le guide-rail de chaîne.

Enlever la rondelle de sûreté (9).

ATTENTION: La rondelle de sûreté saute de la rainure. En l'enlevant, la bloquer avec le pouce pour ne pas qu'elle saute.

Enlever le disque (11).

Si le pignon (8) est usé, le tambour d'embrayage complet (12) doit être remplacé (pour les numéros de commande, voir « Extrait de la liste de pièces de rechange »).

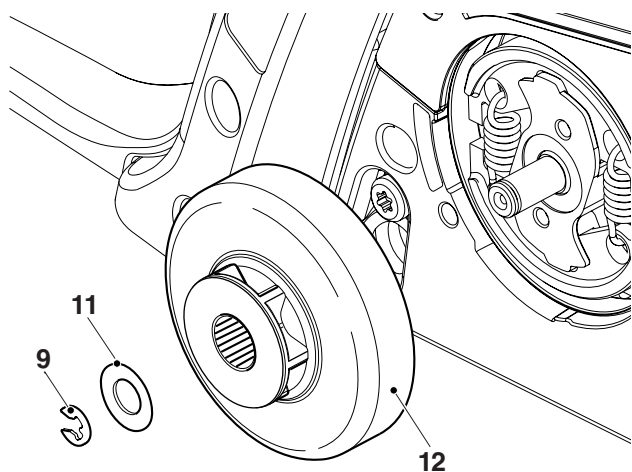
Monter le nouveau tambour d'embrayage complet (12), le disque (11) et une nouvelle rondelle d'arrêt (9) (pour les numéros de commande, voir « Extrait de la liste de pièces de rechange »).

Montage du guide de chaîne, de la chaîne de sciage et de la protection de la roue à chaîne voir chapitre « MISE EN ROUTE ».

REMARQUE:

Ne pas utiliser de chaîne neuve sur une roue à chaîne rodée. Changer la roue à chaîne au plus tard après deux chaînes usées. Faire tourner la chaîne à demi-gaz pendant quelques minutes de façon à ce que l'huile de chaîne de sciage se répartisse régulièrement.

Contrôler fréquemment la tension de la chaîne car les nouvelles chaînes de sciage ont en général tendance à s'allonger (voir Contrôle de la tension de la chaîne).



Nettoyage du filtre d'air



ATTENTION: En cas d'utilisation d'air comprimé pour le nettoyage, utiliser impérativement des lunettes de protection pour éviter toute blessure au niveau des yeux! Ne pas nettoyer le filtre à air à l'essence.

Introduire verticalement la clé combinée dans le bouchon (*) fendu.

Dévisser le vis du capot (1) en tournant dans le sens inverse des aiguilles et retirer le capot (2).

Appuyer sur le bouton multi-positions (3) vers le haut (position Starter) pour éviter que des saletés ne tombent dans le carburateur.

Tirer légèrement la languette (4) du couvercle du filtre à air dans le sens de la flèche et retirer le couvercle du filtre à air.

Retirer le filtre à air (5).

ATTENTION: Couvrir l'orifice d'aspiration d'un chiffon propre pour empêcher que des particules de saleté ne tombent dans le carburateur.

Laver des filtres à air fortement encrassés dans de l'eau savonneuse tiède avec du détergent usuel de machine à laver la vaisselle.

Bien sécher le filtre à air.

En cas de fort encrassement, procéder à un nettoyage plus fréquent (plusieurs fois par jour), car seul un filtre à air propre assure la pleine puissance du moteur.

ATTENTION: Remplacer immédiatement des filtres à air endommagés! Des morceaux de tissu déchirés et des particules de salissure grossières peuvent détériorer le moteur.

Mettre en place le filtre à air (5).

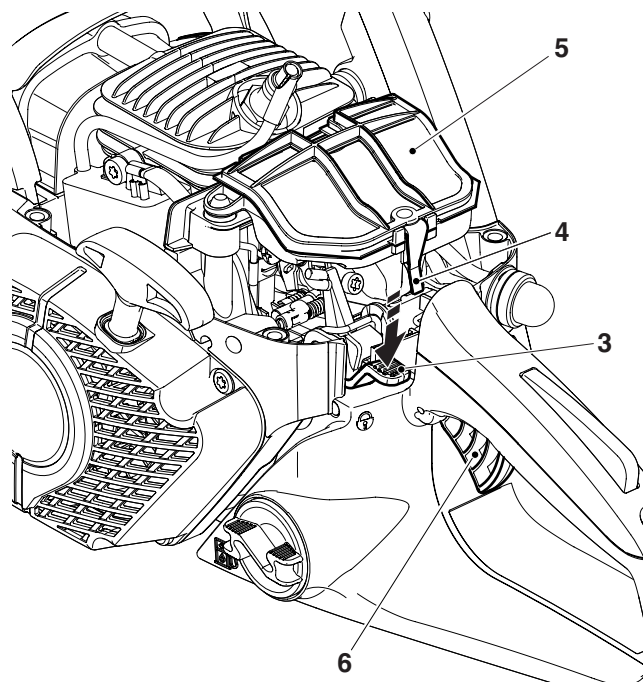
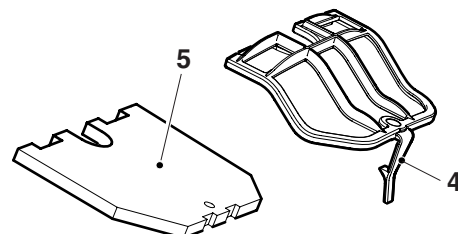
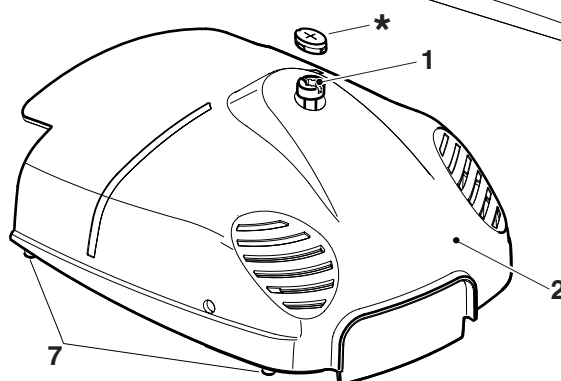
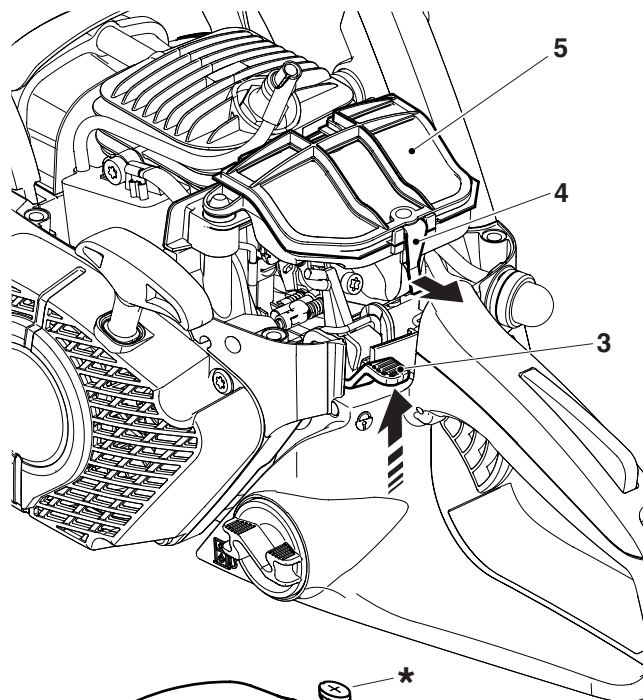
Poser le couvercle du filtre à air.

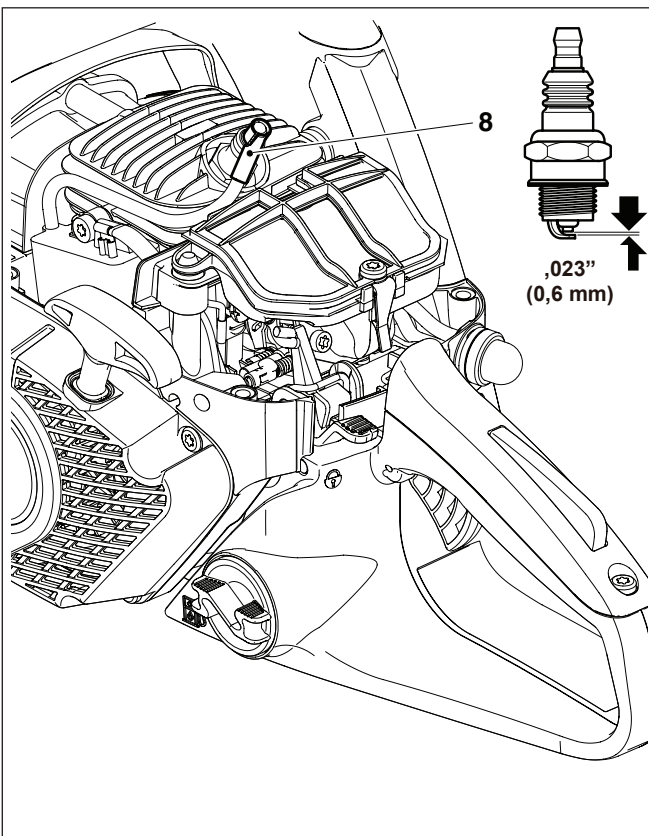
Remarque: La languette (4) du couvercle du filtre à air se réenclenche automatiquement si le couvercle du filtre à air est bien placé.

Appuyer sur le bouton multi-positions (3) vers le bas et presser une fois l'accélérateur (6)

Poser le capot (2). En le posant, faire attention à ce que les ergots (7) inférieurs s'enclenchent correctement des deux côtés du capot (les ergots ne doivent pas être visibles si le montage a été correctement effectué).

Bien visser la vis (1) en tournant dans le sens des aiguilles.





Remplacement de bougie



ATTENTION:

Les bougies d'allumage ou la fiche de la bougie ne doivent pas être touchés le moteur en marche (haute tension).

N'effectuer des travaux de maintenance que si le moteur est arrêté. Risque de brûlure lorsque le moteur est chaud: porter absolument vos gants de protection!

En cas de détérioration du corps isolant, d'usure importante des électrodes resp. d'électrodes très encrassées ou pleines d'huile, il faut procéder à un remplacement de la bougie.

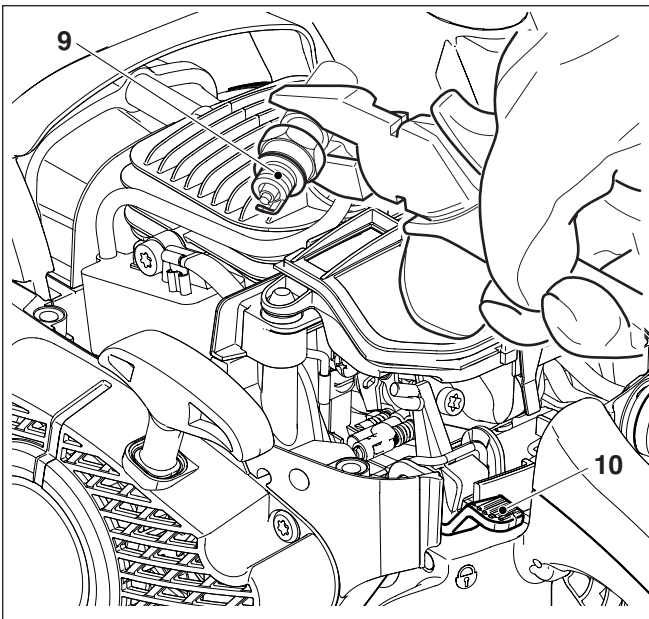
Retirer le capot (voir « Nettoyage du filtre à air »).

Retirer la fiche de la bougie (8) de la bougie. Démontez la bougie uniquement avec la clé combinée comprise dans la fourniture.

Ecartement des électrodes

L'écartement des électrodes doit être de ,023" (0,6 mm).

ATTENTION: N'utilisez comme rechange que les bougies NGK CMR6A.



Vérification de l'étincelle d'allumage

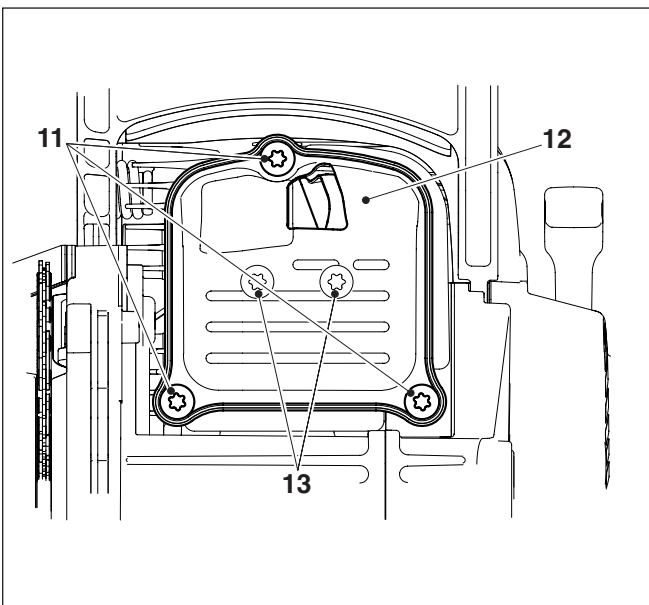


Approcher une bougie (9) dévissée avec le câble solidement enfiché en la maintenant avec une pince contre le cylindre (pas à proximité de l'orifice de la bougie!).

Mettre le bouton multi-positions (10) sur « ON ».

Tirer fortement sur le cordon de lancement.

En fonctionnement correct, l'étincelle doit être visible sur les électrodes.



Vérification des vis du silencieux



Dévisser les 3 vis (11) et retirer la coquille supérieure du silencieux (12).

Note: Sur les tronçonneuses avec catalyseur (EA3500S, EA3501S), retirer la coquille supérieure du silencieux.

Les vis de la coquille inférieure du silencieux (13) sont maintenant accessibles et peuvent être contrôlées si elles sont bien en place. Si elles sont desserrées, bien les serrer à la main (**Attention:** ne pas fausser les vis).

Remplacement du cordon de lancement / Remplacer la cassette de ressort de rappel / Remplacer le ressort de démarrage

Dévisser les trois vis (1).

Retirer le carter du ventilateur (2).

Enlever le déflecteur de ventilateur (3) du carter.

ATTENTION: Risque de blessure! Dévisser la vis (7) seulement lorsque le ressort de rappel est détendu!

En cas de remplacement du cordon de lancement, même si celui-ci n'est pas déchiré, détendre le ressort de rappel du tambour d'enroulement (13).

Pour cela, tirer entièrement le cordon hors du carter du ventilateur depuis la poignée de lancement.

Tenir le tambour d'enroulement d'une main, enfoncer le cordon dans l'échancrure (14) de l'autre main.

Tourner le tambour d'enroulement avec précaution jusqu'à ce que le ressort d'appel soit entièrement détendu.

Dévisser la vis (7) et retirer l'entraîneur (8) et le ressort (6).

Enlever le tambour d'enroulement avec **précaution**.

Enlever les vieux restes de cordon.

Enfiler le nouveau cordon (0,12" (3 mm) de \varnothing , 35,4" (900 mm) de longueur) comme montré sur la figure (en n'oubliant pas la rondelle (10)) et nouer les deux extrémités. Insérer le nœud (11) dans le tambour d'enroulement (5). Insérer le nœud (12) dans la poignée de lancement (9). Poser le tambour, le tourner légèrement jusqu'à ce que le ressort de rappel s'enclenche.

Introduire la vis (6) dans l'entraîneur (8) et les placer dans le tambour d'enroulement (5) en tournant légèrement dans le sens inverse des aiguilles. Placer la vis (7) et visser à bloc. Enlever le cordon dans le creux (14) du tambour d'enroulement et tourner le tambour avec le cordon trois fois dans le sens des aiguilles.

Tenir le tambour d'enroulement de la main gauche, et démêler le cordon de la main droite, bien le tirer et le tenir. Relâcher le tambour avec précaution. Ce faisant, le cordon s'enroule sur le tambour dû à la tension du ressort.

Répéter une fois cette opération. La poignée de lancement doit être maintenant verticale au carter du ventilateur.

INDICATION: Si la corde de lancement est tirée fortement, le tambour d'enroulement doit pouvoir faire un moins un 1/4 de tour contre l'effort de ressort.

ATTENTION: Risque de blessure! Bloquer la poignée de lancement tirée. Elle peut rebondir en arrière si vous relâchez par inadvertance le tambour d'enroulement.

Remplacer la cassette de ressort de rappel

Démonter le carter du ventilateur et le tambour d'enroulement (voir ci-dessus).

ATTENTION: Risque de blessure ! Un ressort cassé peut sauter. Porter impérativement des lunettes et des gants de protection!

Frapper légèrement le carter du ventilateur avec toutes la surface d'appui du côté creux sur du bois et le **maintenir avant tout**. Soulever maintenant le carter du ventilateur **avec précaution et progressivement** étant donné que la cassette de ressort de rappel (13) tombée peut se détendre au cas où le ressort de rappel est sorti de la cassette en plastique.

Introduire avec précaution la nouvelle cassette de ressort de rappel et l'enfoncer jusqu'à ce qu'elle s'enclenche.

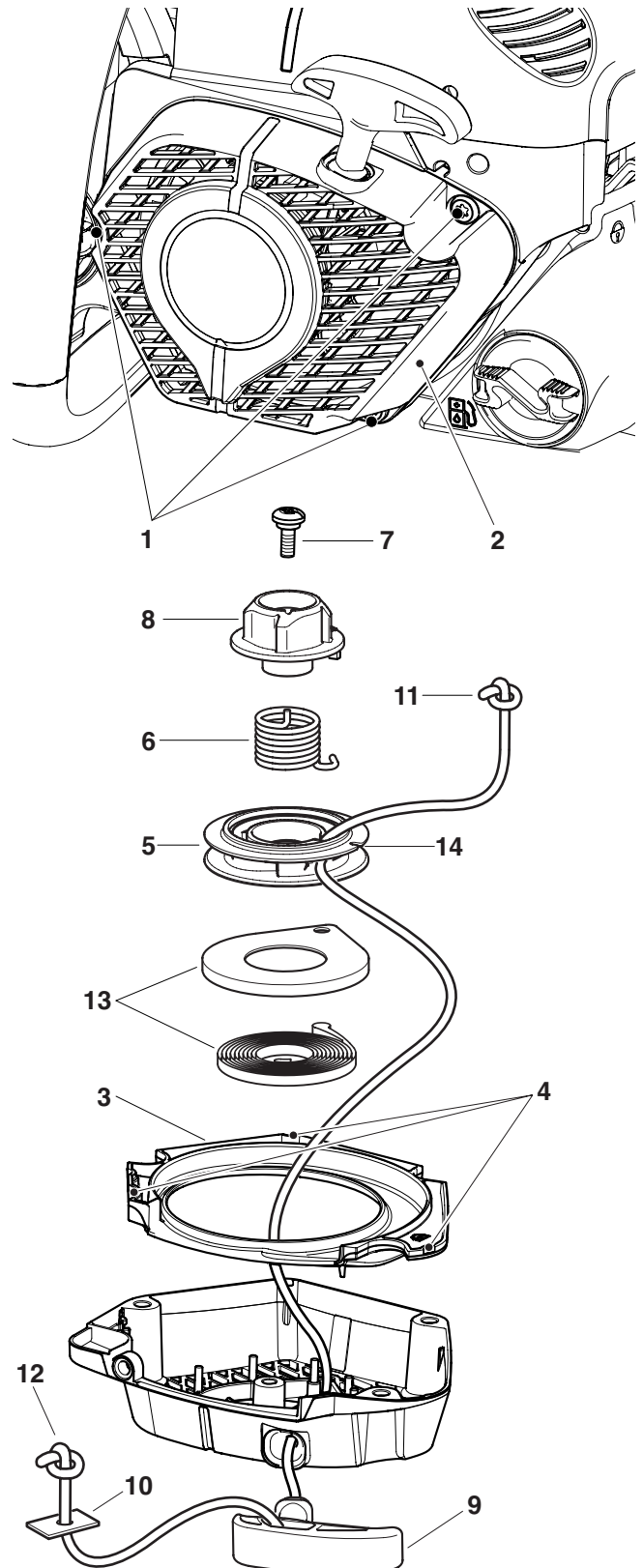
Poser le tambour d'enroulement en tournant légèrement jusqu'à ce que le ressort de rappel s'agrippe.

Monter le ressort (6) et l'entraîneur (8) et bien visser avec la vis (7).

Tendre le ressort (voir ci-dessus).

Remplacer le ressort de démarrage

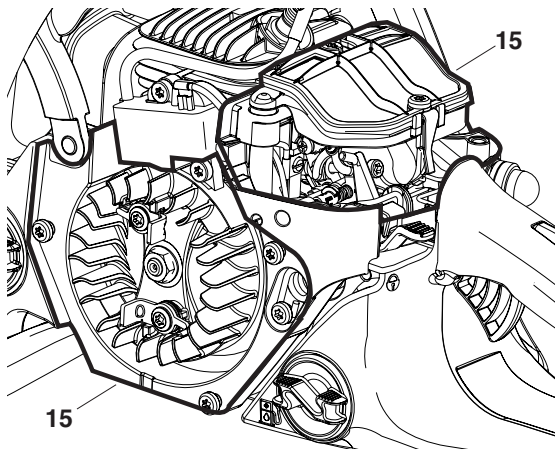
REMARQUE: Si le ressort du système de démarrage facile à ressort est cassé, il faudra déployer davantage d'efforts pour démarrer le moteur et une forte résistance se fera sentir en tirant sur la poignée de lancement. Si vous constatez ce changement dans le comportement de lancement, contrôlez impérativement le ressort (6) et remplacez-le si nécessaire.



Montage du carter du ventilateur

Introduire le déflecteur de ventilateur (3) dans le carter du ventilateur, en laissant les trois évidements (4) s'enclencher.

Orienter le carter du ventilateur sur le carter, exercer une légère contre-pression en tirant sur le cordon de lancement jusqu'à ce que le dispositif de lancement s'enclenche. Bien serrer les vis (1).



Nettoyage du compartiment du filtre à air / du compartiment du ventilateur

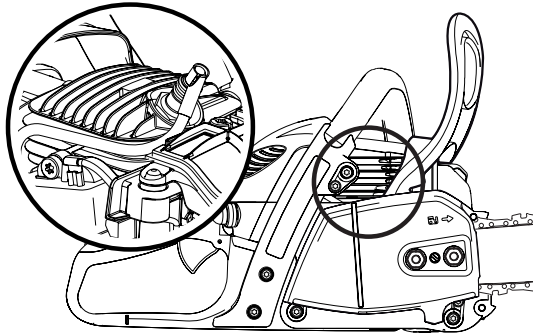


Retirer le capot.

Enlever le carter du ventilateur.

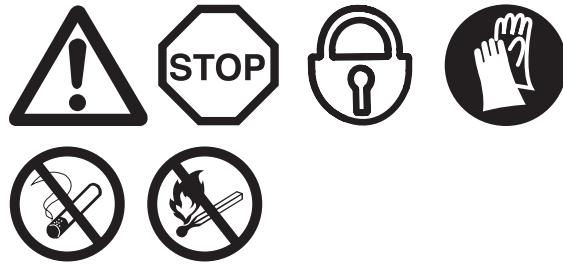
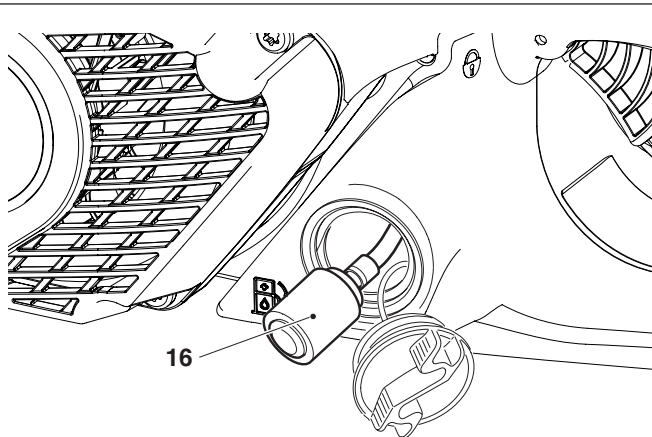
ATTENTION: En cas d'utilisation d'air comprimé pour le nettoyage, utiliser impérativement des lunettes de protection pour éviter toute blessure au niveau des yeux!

Toute la zone dégarnie (15) peut être nettoyée avec une brosse et de l'air comprimé.



Nettoyage des ailettes de cylindre

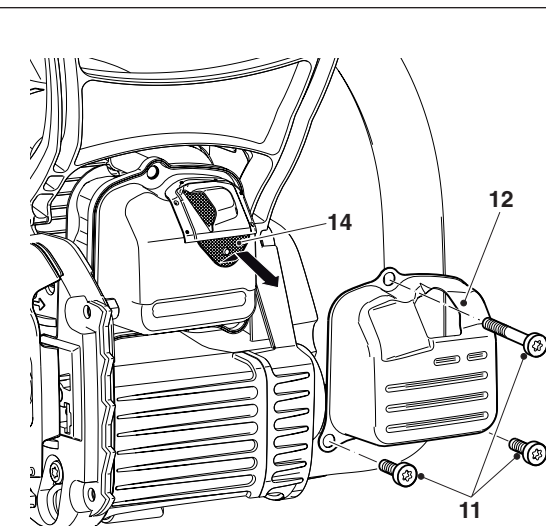
Un goupillon peut être utilisé pour le nettoyage des ailettes de cylindre.



Remplacement de la crépine d'aspiration

Le filtre feutre (16) de la crépine d'aspiration peut se boucher pendant l'utilisation. Pour assurer une alimentation sans problème du carburant vers le carburateur, la crépine d'aspiration devra être remplacée environ tous les 3 mois.

Pour remplacer, tirer la crépine d'aspiration par l'ouverture du bouchon du réservoir avec un crochet en fil métallique ou une pince pointue.



Changement / nettoyage du pare-étincelles



Il faut vérifier et nettoyer régulièrement le pare-étincelles. Desserrer la vis (11), retirer le bouclier thermique (12) et enlever le pare-étincelles (14).

Attention: N'utilisez pas d'objets coupants ou pointus pour nettoyer le pare-étincelles car vous pourriez endommager ou déformer les fils du pare-étincelles.

Remontez le pare-étincelles ainsi que le bouclier thermique et serrez la vis.

Indications de maintenance et d'entretien périodiques

De manière à garantir une longue durée de vie et le plein fonctionnement des dispositifs de sécurité et à éviter des détériorations, il faut effectuer régulièrement les travaux de maintenance décrits ci-dessous. Les réclamations ne pourront être reconnues comme telles si ces travaux ont été effectués régulièrement et correctement. Des accidents risquent de se produire en cas de non-observation. Les utilisateurs de tronçonneuses doivent effectuer que les travaux de maintenance et d'entretien qui sont décrits dans la instructions d'emploi. Les travaux non compris dans cette liste ne doivent être exécutés que dans un atelier spécialisé de MAKITA.

			Page
Généralités	Tronçonneuse entière	Nettoyer l'extérieur et vérifier si elle n'est pas détériorée. En cas de détériorations, faire effectuer immédiatement les réparations par un spécialiste.	
	Chaîne de sciage	Raffûter régulièrement, remplacer à temps	73
	Frein à chaîne Guide de chaîne	Faire vérifier régulièrement par l'atelier spécialisé Tourner afin que les surfaces de roulement sollicitées s'usent de manière régulière.	62, 64, 67
	Cordon de lancement	Vérifier s'il n'est pas détérioré. Le remplacer en cas de détérioration.	79
Avant toute mise en route	Chaîne de sciage	Vérifier le tranchant et si elle n'est pas détériorée. Contrôler la tension de la chaîne.	73 62, 64, 67
	Guide de la chaîne	Vérifier s'il n'est pas détérioré	
	Graissage de la chaîne	Vérifier le fonctionnement	70
	Frein de chaîne	Vérifier le fonctionnement	72
	Bouton multi-positions, Touche de blocage de sécurité	Vérifier le fonctionnement	71
	Levier de gaz		
	Fermeture réservoirs huile et carburant	Vérifier l'étanchéité et la présence de fuites	
Journallement	Filtre à air	Nettoyer (plusieurs fois par jour si nécessaire)	77
	Rail guide de la chaîne	Vérifier si il n'est pas détérioré, nettoyer l'orifice d'entrée d'huile	75
	Support, rail guide de chaîne	Nettoyer, particulièrement la rainure d'alimentation d'huile	70, 75
	Vitesse de rotation à vide	Contrôler (la chaîne ne doit pas être entraînée)	72
Toutes les semaines	Carter du ventilateur	Nettoyer pour garantir un parfait guidage de l'air de refroidissement.	58
	Compartiment du filtre à air	Nettoyer pour garantir un parfait guidage de l'air de refroidissement.	80
	Compartiment du ventilateur	Nettoyer pour garantir un parfait guidage de l'air de refroidissement.	80
	Ailettes de cylindre	Nettoyer pour garantir un parfait guidage de l'air de refroidissement.	80
	Bougie	Vérifier, le cas échéant, remplacer	78
	Silencieux	Vérifier s'il n'est pas encrassé, nettoyer le pare-étincelles	58, 78
	Capteur de chaîne	Vérifier	
	Vis et écrous pare-étincelles	Vérifier l'état et le serrage correct nettoyage	80
Tous les 3 mois	Crépine d'aspiration	Remplacer	80
	Réservoirs carburant/huile	Nettoyer	
Tous les ans	Tronçonneuse entière	Faire vérifier par un atelier spécialisé	
Stockage	Tronçonneuse entière	Nettoyer l'extérieur et vérifier si elle n'est pas détériorée. En cas de détériorations, faire effectuer immédiatement les réparations par un spécialiste.	
	Chaîne de sciage et rail guide de la chaîne	Démonter, nettoyer et légèrement huiler Nettoyer la rainure de guidage du rail guide de la chaîne	75
	Réservoirs carburant/huile	Vidanger et nettoyer	
	Carburateur	Le laisser se vider en marche	

Service d'atelier, pièces de rechange et garantie

Maintenance et réparations

La maintenance et la remise en état de tronçonneuses modernes ainsi que les éléments les plus importants de la sécurité exigent une formation professionnelle qualifiée et un atelier équipé d'outillage spécial et d'appareils de contrôle.

Tous les travaux qui ne sont pas décrits dans ce manuel d'utilisation doivent être effectués par un atelier spécialisé MAKITA.


Le spécialiste dispose de la formation, de l'expérience et des équipements nécessaires pour vous apporter chaque fois la solution économique la plus avantageuse et vous apporte une aide d'assistance en pratique et en conseil.

La garantie s'annule en cas de tentatives de réparation effectuées par des tiers ou des personnes autorisées.

Veuillez relever sur le répertoire des points de service ci-jointe l'atelier spécialisé le plus proche de chez vous.

Pièces de rechange

Le fonctionnement permanent fiable et la sécurité de votre appareil dépend aussi de la qualité des pièces de rechange utilisées.

N'utilisez que des pièces de rechange d'origine MAKITA, signalées par 

Seules les pièces d'origine proviennent de la chaîne de production de l'appareil et vous assurent donc la qualité optimale du matériau, du respect des dimensions et du fonctionnement et une sécurité irréprochables.

Les pièces accessoires et de rechange d'origine vous sont proposées par votre vendeur spécialisé. Il dispose des listes de pièces de rechange nécessaires pour déterminer le numéro de la pièce de rechange nécessaire, et vous informera à fur et à mesure des améliorations de détail et des nouveautés dans l'offre des pièces de rechange.

Veuillez aussi noter, qu'en utilisant des pièces qui ne sont pas d'origine de MAKITA vous perdez tout droit à la garantie de l'organisation MAKITA.


Garantie

MAKITA garantit un qualité irréprochable et supporte les frais pour une amélioration par remplacement des pièces défectueuses dans le cas de défauts de matériel ou de fabrication qui se présentent dans le délai de garantie après le jour de vente. Veuillez noter que dans certains pays, il existe des conditions de garantie spécifiques. Adressez vous, en cas de doute, à votre vendeur. En tant que vendeur du produit, il doit vous assurer la garantie.

- Non respect de la manual d'emploi.
- Non exécution des travaux de maintenance et réparations nécessaires.
- Détériorations par suite d'un réglage non conforme du carburateur.
- Usure normale.
- Surcharge manifeste par dépassement permanent de la limite supérieure de la puissance.
- Utilisation de types de chaînes et de guides de la chaîne non agréés.
- Utilisation de longueurs de chaînes et de guides de la chaînes non admises.
- Forçage, traitement non conforme, emploi non autorisé ou cas d'accidents.
- Dégâts de surchauffe par suite d'encrassements sur les ailettes du cylindre et du carter du ventilateur.
- Interventions de personnes non compétentes ou essais de réparations non conformes.
- Utilisation de pièces de rechange non appropriées resp. de pièces non d'origine MAKITA, dans la mesure où elles sont sources de détériorations.
- Utilisation de produits de fonctionnement inadaptés ou superposés.
- Détériorations provenant de conditions d'utilisation du magasin de location.
- Dommages provoqués par des fixations dévissées et non resserrées à temps.

Les travaux de nettoyage, d'entretien et de réglage ne sont pas reconnus comme prestations de garantie. Tout travail au titre de la garantie est à effectuer par le vendeur spécialiste MAKITA.

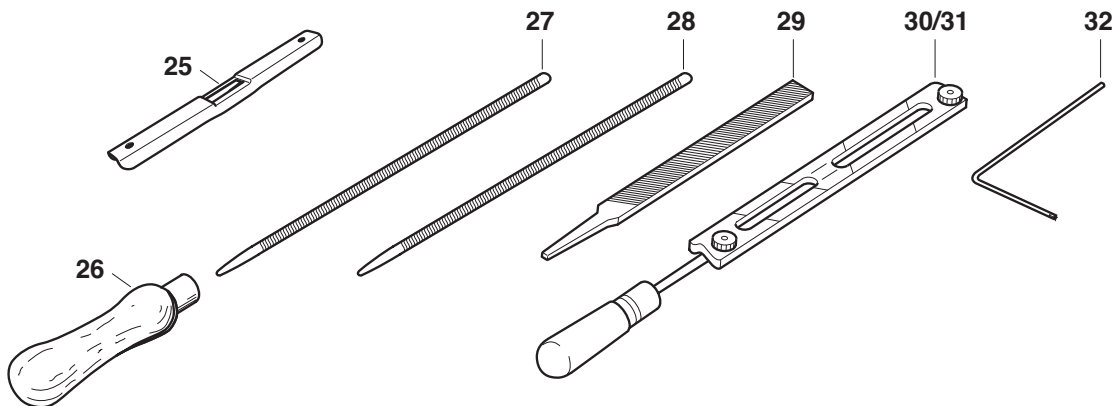
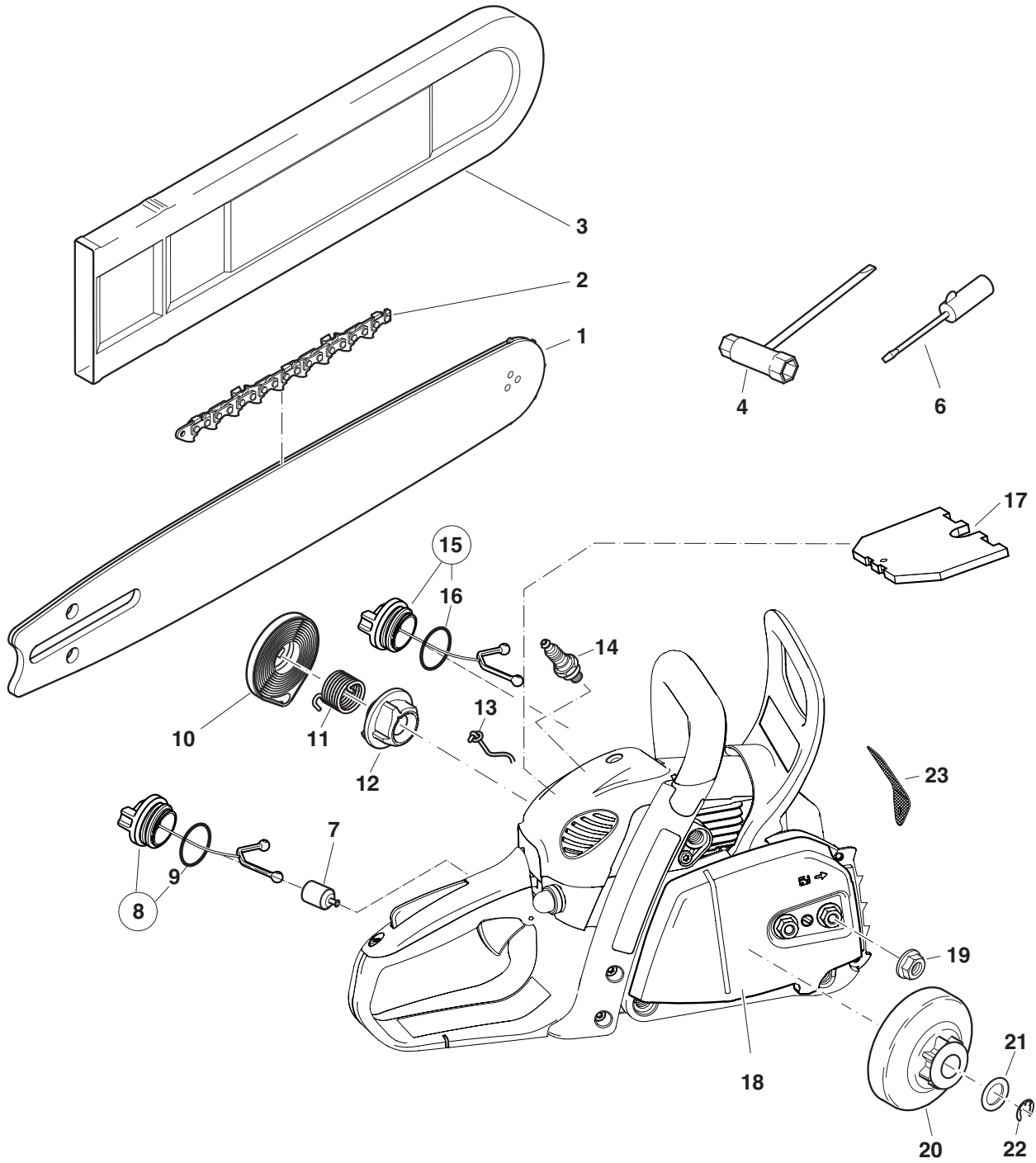
Recherche de pannes

Panne	Système	Observation	Origine
Chaîne ne démarre pas	Frein de chaîne	Moteur tourne	Frein de chaîne enclenché
Moteur ne démarre pas ou démarre difficilement	Système d'allumage Alimentation carburant Système de compression Défaut mécanique	Allumage existe Pas d'allumage Réservoir carburant rempli A l'intérieur de l'appareil A l'extérieur de l'appareil Lanceur n'accroche pas	Défaut dans l'alimentation du carburant, système de compression, défaut mécanique Bouton STOP en position.  , défaut ou court circuit dans le câblage, Capuchon de bougie d'allumage, bougie défectueuse Bouton multi-positions en position Starter, carburateur défectueux, crépine d'aspiration bouchée, conduite de carburant sectionnée ou coincée Joint du pied de cylindre défectueux, bagues à lèvres endommagées, segments de cylindre ou de pistons endommagés Bougie n'est pas étanche Ressort dans le démarreur brisé, pièces brisées à l'intérieur du moteur
Problèmes de démarrage à chaud	Carburateur	Carburant dans réservoir Étincelle existante	Réglage du carburateur non correct
Moteur démarre, mais s'arrête immédiatement après	Alimentation carburant	Carburant dans réservoir	Réglage du ralenti non correct, crépine d'aspiration ou carburateur encrassé Aération réservoir défectueux, conduite carburant interrompue, câble défectueux, bouton multi-positions défectueux.
Manque puissance	Plusieurs systèmes peuvent être mis en cause	Appareil tourne au ralenti	Filtre à air encrassé, faux réglage du carburateur, silencieux bouché, tuyau d'échappement des gaz dans le cylindre est bouché, pare-étincelles bouché.
Pas de graissage de la chaîne	Réservoir d'huile, pompe d'huile	Pas d'huile de chaîne sur la chaîne de sciage	Réservoir d'huile vide Rainure d'alimentation d'huile encrassée Vis de réglage de la pompe à huile dérégulée

Extrait de la liste des pièces de rechange

N'utilisez que des pièces de rechange d'origine MAKITA. Pour les réparations et la rechange pour d'autres pièces, votre atelier spécialisé MAKITA est compétent.

EA3500S
EA3501S





Extrait de la liste des pièces de rechange

N'utilisez que des pièces de rechange d'origine MAKITA. Pour les réparations et la rechange pour d'autres pièces, votre atelier spécialisé MAKITA est compétent.

EA3500S
EA3501S



Pos.	Désignation	Accessoires (non compris dans la livraison)
1	Guide à étoile 3/8", 30 cm, 1,3 mm (12") Guide à étoile 3/8", 35 cm, 1,3 mm (14") Guide à étoile 3/8", 40 cm, 1,3 mm (16")	25 Jauge de mesure des chaînes 26 Manche de lime 27 Lime ronde ø 4,5 mm 28 Lime ronde ø 4,0 mm 29 Lime plate 30 Porte lime (avec lime ronde ø 4,5 mm) 31 Porte lime (avec lime ronde ø 4,0 mm) 32 Tournevis coudé
2	Chaîne de sciage 3/8" pour 30 cm, 1,3 mm Chaîne de sciage 3/8" pour 35 cm, 1,3 mm Chaîne de sciage 3/8" pour 40 cm, 1,3 mm	
1	Guide à étoile 3/8", 30 cm, 1,1 mm (12") Guide à étoile 3/8", 35 cm, 1,1 mm (14")	- Nourrice combinée (pour 5l carburant, 3l huile de chaîne de sciage)
2	Chaîne de sciage 3/8" pour 30 cm, 1,1 mm Chaîne de sciage 3/8" pour 35 cm, 1,1 mm	
1	Guide à étoile 3/8", 30 cm, 1,3 mm (12") Guide à étoile 3/8", 35 cm, 1,3 mm (14") Guide à étoile 3/8", 40 cm, 1,3 mm (16") 	
2	Chaîne de sciage 3/8" pour 30 cm, 1,3 mm Chaîne de sciage 3/8" pour 35 cm, 1,3 mm Chaîne de sciage 3/8" pour 40 cm, 1,3 mm	
1	Guide à étoile 3/8", 30 cm, 1,1 mm (12") Guide à étoile 3/8", 35 cm, 1,1 mm (14") 	
2	Chaîne de sciage 3/8" pour 30 cm, 1,1 mm Chaîne de sciage 3/8" pour 35 cm, 1,1 mm	
3	Protège-guide pour 30-35 cm (3/8") Protège-guide pour 40 cm (3/8")	
4	Clé combinée Ouverture 16/13	
6	Tournevis pour carburateur	
7	Crépine d'aspiration	
8	Bouchon du réservoir d'essence complet	
9	O-Ring 29,3 x 3,6 mm	
10	Cassette de ressort d'appel cpl.	
11	Ressort	
12	Entraîneur	
13	Cordon de lancement 3 x 900 mm	
14	Bougie	
15	Capuchon cpl. réservoir huile	
16	O-Ring 29,3 x 3,6 mm	
17	Filtre à air	
18	Protection cpl. roue à chaîne Protège-pignon (avec tendeur rapide) complet	
19	Ecrou hexag. M8	
20	Tambour d'accouplement cpl 3/8", 6-dents	
21	Disque	
22	Rondelle de sûreté	
23	Pare-étincelles	

ADVERTENCIA:

El empleo negligente o incorrecto de este producto puede causar lesiones graves e incluso mortales. Antes de utilizar una motosierra u otros productos de MAKITA, es importante que Ud. lea, comprenda completamente y observe cuidadosamente las instrucciones contenidas en este manual de empleo. La repulsión, que puede ocasionar lesiones graves o mortales, es uno de los peligros potenciales que implica el uso de una motosierra. La repulsión y otras medidas de seguridad están descritas detalladamente en este manual. Además, podrán pedirse otros manuales de empleo adicionales a www.makitausa.com y 1-800-4-MAKITA (462-5482) y MAKITA CANADA INC., 1950 Forbes Street, Whitby, Ontario, L1N 7B7, Canadá, Teléfono (905) 571 22 00.

Este producto está en conformidad con: La norma de seguridad para motosierras B175.1-2012 de American National Standard Institutel.
 La norma de seguridad para motosierras Z62.1-15 y la norma sobre repulsión de motosierras Z62.3-11 de la Canadian Standards Association.
 Sociedad de Ingenieros Automotrices
 SAEJ 335-Jun 95 "Supresión de chispas para el sistema de gases de escape de máquinas manuales".

El período de conformidad relativa a las emisiones que figura en la etiqueta de cumplimiento con las emisiones, indica el número de horas de funcionamiento durante las que se ha demostrado que el motor cumple con los requisitos federales sobre emisiones. Categoría C= 50 horas, B= 125 horas, and A= 300 horas.

Con esta motosierra, Ud. ha optado por un producto alemán de calidad. Este manual de empleo contiene instrucciones importantes para su montaje y utilización. Para su seguridad, le rogamos que lea con mucha detención las instrucciones de prevención de accidentes antes de poner en marcha la motosierra, ya que una utilización incorrecta puede ocasionar accidentes pese a todas las precauciones. Con un poco de cuidado y de atención, Ud. podrá disfrutar largamente de las excelentes prestaciones de este producto de primera calidad.

ADVERTENCIA 

El sistema de encendido de esta máquina genera un campo electromagnético. Este campo puede causar perturbaciones en los aparatos médicos, como los marcapasos. Para reducir el peligro de lesiones graves o mortales, las personas que porten un aparato médico deberán consultar con su médico o con el fabricante del aparato antes de utilizar la máquina.



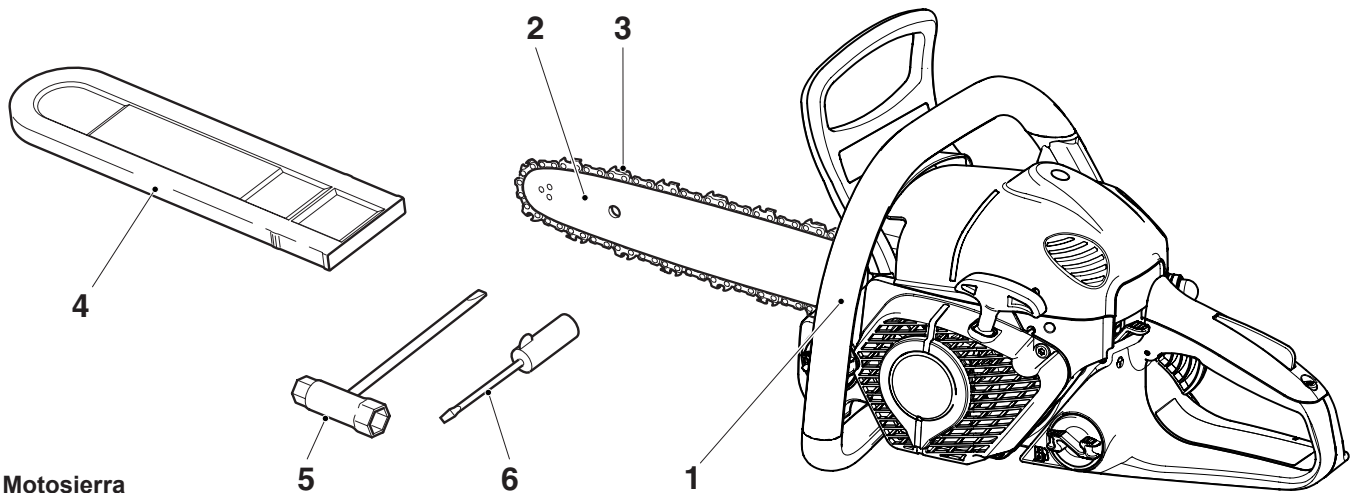
EA3500S, EA3501S

Indice	Página	Indice	Página
Extensión del suministro.....	87	Ajustar el engrase de cadena.....	112
Símbolos.....	87	Arrancar el motor.....	113
Recomendaciones de seguridad.....	88	Arranque en frío.....	113
Denominación de los componentes.....	100	Arranque en caliente.....	113
Datos técnicos.....	101	Parar el motor.....	113
PUESTA EN MARCHA		Controlar el freno de cadena.....	114
Solo para modelos con tuercas de sujeción y protección de la rueda dentada (EA3500S)		Ajustar el carburador.....	114
Montaje de la guía y de la cadena de sierra.....	102	MANTENIMIENTO	
Tensar la cadena de sierra.....	103	Afilarse la cadena de sierra.....	115
Controlar la tensión de la cadena.....	104	Limpiar el interior de la rueda dentada.....	117
Retensar la cadena de sierra.....	104	Limpiar la guía de sierra.....	117
Solo para guías QuickSet		Nueva cadena de sierra.....	118
Montaje de la guía y de la cadena de sierra.....	105	Limpiar el filtro de aire.....	119
Tensar la cadena de la sierra.....	106	Cambiar la bujía.....	120
Controlar la tensión de la cadena.....	106	Controlar la chispa de encendido.....	120
Retensar la cadena de la sierra.....	106	Controlar los tornillos del silenciador.....	120
Solo para modelos con tensor rápido y protección de la rueda dentada (EA3501S)		Recambio de la cuerda de arranque /	
Montaje de la guía y de la cadena de sierra.....	107	Reponer el casete con muelle recuperador /	
Tensar la cadena de sierra.....	108	Reemplazar el muelle de arranque.....	121
Controlar la tensión de la cadena.....	109	Limpiar el recinto del filtro de aire / ventilador....	122
Retensar la cadena de la sierra.....	109	Limpiar los nervios del cilindro.....	122
Para todos los modelos		Cambiar la cabeza de aspiración.....	122
Freno de cadena.....	109	Recambio/limpieza de la rejilla parachispas.....	122
Combustibles.....	110	Instrucciones para el mantenimiento regular.....	123
Aceite para cadenas.....	110	Servicio, piezas de repuesto y garantía.....	124
Tomor combustible.....	111	Localización de averías.....	125
Controlar el engrase de cadena.....	112	Extracto de la lista de piezas de repuesto.....	126

Su motosierra EA3500S y EA3501S se suministra protegida contra daños de transporte en un embalaje de cartón. Cartonajes son una materia prima que se puede reciclar (regeneración de papelote) o utilizar nuevamente.



Extensión del suministro



1. Motosierra
2. Guía
3. Cadena
4. Protector de la guía
5. Herramienta de montaje
6. Destornillador para regulación del carburador
7. Manual de empleo y de seguridad (no ilustradas)

Si uno de los componentes indicados en la lista no está incluido en la extensión del suministro, póngase en contacto con su vendedor.

NOTA: Puede que la barra de guía, la cadena de la sierra y la cubierta protectora de la cadena no vengán incluidas de forma estándar como accesorios para algunos países.

Símbolos

En el equipo y durante la lectura de las manual de empleo y de seguridad, Ud. se encontrará con los siguientes símbolos:

	¡Leer las manual de empleo y observar las advertencias e instrucciones de seguridad!		¡Atención, repulsiones (Kickback)!
	¡Cuidado y atención especiales!		Freno de cadena
	¡Prohibido!		Mezcla de combustible
	¡Usar del casco de seguridad, la protección de ojos y del oído!		Ajuste del carburador
	¡Llevar guantes protectores!		Aceite para cadenas de sierra
	¡Prohibido fumar!		Tornillo de ajuste para el aceite de la cadena de sierra
	¡Prohibido fuego abierto!		Los primeros auxilios
	¡Parar el motor!		¡No toque las superficies calientes!
	Arrancar el motor		Reciclaje
	Interruptor combinado estérter antiguo / ON/Stop (I/O)		
	Posición de seguridad		

Más símbolos
vea página 89.

Medidas de seguridad a observar por el operador de motosierras

Mientras utilice una motosierra, observe por favor las siguientes instrucciones:

- Evite el contacto de la punta de la guía con cualquier objeto.
- El contacto de la punta puede ocasionar un brusco desplazamiento de la guía hacia arriba o hacia abajo, ocasionando lesiones graves o mortales.

¡ADVERTENCIA!

Lea y observe las medidas de seguridad indicadas en este manual de empleo. La no observación de las instrucciones puede conllevar lesiones graves. La motosierra solamente debe prestarse a aquellos usuarios que tengan experiencia en el manejo de motosierras. En tal caso, siempre debe entregarse con el manual de empleo.

¡ADVERTENCIA!

Esta motosierra es capaz de producir repulsiones violentas que pueden causar heridas de gravedad al usuario. No utilice esta motosierra, salvo que deba realizar trabajos extraordinarios de corte y que disponga de una experiencia y de un entrenamiento especial que le permita manejar debidamente las repulsiones. Se pueden obtener motosierras con un potencial de repulsión notablemente reducido.

Precauciones de seguridad para el contragolpe

¡ADVERTENCIA!

Los contragolpes se producen cuando la nariz o la punta de la barra guía toca un objeto, o cuando la madera rodea la cadena de la sierra y la pellizca durante el corte. En algunos casos, el contacto de la punta provoca una inversión de la marcha extraordinariamente rápida, lo que impele la barra hacia arriba y hacia atrás en dirección al operador. El pellizco de la cadena de la sierra a lo largo de la parte superior de la barra guía provoca el rápido impulso hacia atrás de la motosierra en dirección al operador. Cualquiera de estas reacciones puede provocar la pérdida de control sobre la sierra y causar lesiones personales graves. No confíe solamente en los dispositivos de seguridad integrados en la sierra. Como usuario de una motosierra debe tomar varias medidas para evitar que se produzcan accidentes o lesiones durante el corte.

- Con una comprensión básica de lo que son los contragolpes puede reducir o eliminar por completo el elemento sorpresa. Las reacciones súbitas contribuyen a que se produzcan accidentes.
- Agarre firmemente la sierra con ambas manos. Cuando la sierra esté en marcha, la mano derecha debe agarrar la empuñadura trasera y la mano izquierda la empuñadura delantera. Sujete con fuerza las empuñaduras rodeándolas con los pulgares y los dedos. Una sujeción segura ayuda a reducir los contragolpes y a mantener el control sobre la sierra. No suelte la sierra.
- Asegúrese de que no hay obstrucciones en la zona donde va a cortar. No permita que la punta de la barra guía entre en contacto con un tronco, una rama o cualquier otro obstáculo que pudiera ser golpeado mientras utiliza la sierra.
- Corte con el motor funcionando a alta velocidad.
- No intente alcanzar demasiado lejos ni corte por encima de la altura del hombro.
- Siga las instrucciones del fabricante para afilar y mantener la cadena de la sierra.
- Use sólo barras y cadenas de sustitución especificadas por el fabricante, o sus equivalentes.

Precauciones de seguridad adicionales

Todos los usuarios de motosierras deben observar las siguientes precauciones de seguridad adicionales:

- La motosierra está prevista para ser usada con las dos manos. ¡Nunca opere la sierra con una sola mano! El

uso con una sola mano puede provocar lesiones graves al operador, a los ayudantes y a los transeúntes.

- Cuando use una motosierra debe haber disponible un extintor de incendios.
 - Siga las instrucciones de su manual de operador para arrancar la sierra y controlarla mediante el agarre firme con las dos manos mientras está en marcha. Mantenga las empuñaduras secas, limpias y sin aceite ni mezcla de gasolina.
 - No opere una motosierra si está cansado. La fatiga provoca falta de atención. Sea más cauteloso antes de los periodos de descanso y hacia el final de su turno de trabajo.
 - Debe usar la ropa de protección personal exigida por las organizaciones de seguridad, las regulaciones gubernamentales o por su empleador. Siempre que use la motosierra deberá vestir ropa ceñida, gafas protectoras, calzado de seguridad y protecciones para las manos, piernas, cabeza y oídos.
- Nota: La ropa de protección personal debe satisfacer los requisitos de las normas CSA y BNQ.
- Tenga cuidado cuando manipule combustible. Apague el motor antes de repostar, realizar trabajos de mantenimiento o transportar la motosierra. Para evitar un incendio ponga en marcha la sierra a una distancia de como mínimo 3 m (10 pies) de la zona de repostaje.
 - Mantenga a las demás personas y a los animales a una distancia segura de la motosierra en marcha o de la zona donde se esté talando un árbol.
 - Mantenga siempre un pisado firme y opere la motosierra solo al estar sobre una superficie fija, segura y nivelada, y que haya previsto un espacio que le permita retirarse durante la caída del árbol.
 - Cuando el motor de la sierra esté en marcha mantenga todas las partes de su cuerpo lejos de la cadena.
 - Antes de arrancar el motor compruebe que la cadena de la sierra no está en contacto con nada.
 - Transporte la sierra agarrándola por la empuñadura delantera, con el motor parado, la barra guía y la cadena de la sierra mirando hacia atrás y el silenciador alejado de su cuerpo.
 - Cuando transporte, almacene o deje de usar su motosierra, utilice una tapa de la barra guía adecuada. Deberá entallar y cubrir la barra guía en la motosierra.
 - Nunca opere una motosierra dañada o mal ajustada, o que no esté montada por completo o de manera segura. Asegúrese de que la cadena de la sierra se detiene al soltar el gatillo del sistema de control de la potencia. Nunca ajuste la barra guía ni la cadena de la sierra cuando el motor esté encendido.
 - Apague el motor antes de dejar la motosierra en el suelo.
 - Tenga mucho cuidado cuando corte arbustos y árboles pequeños, porque las partes podadas finas pueden engancharse en la cadena de la sierra y golpearle o hacerle perder el equilibrio.
 - Cuando corte una rama que esté en tensión, preste atención al retorno elástico para que la rama no le golpee cuando se libere la tensión de las fibras de madera.
 - Durante la tala, mantenga a las personas y a los animales a una distancia mínima equivalente a dos veces la longitud del árbol.
 - Tenga cuidado con la intoxicación por monóxido de carbono. Opere la motosierra sólo en lugares bien ventilados.
 - Antes de repostar la motosierra deje que se enfríe y no fume.
 - No intente podar o desmembrar un árbol en pie si no ha recibido la formación específica para ello.
 - Todo el mantenimiento de la motosierra debe ser realizado por el personal de servicio capacitado, excepto aquellos elementos indicados en las instrucciones de mantenimiento del manual del operador. (Por ejemplo, si para desmontar el volante o para sujetarlo para quitar el embrague se utilizan las herramientas incorrectas, se pueden causar daños estructurales en el volante y provocar su rotura.)
 - Esta motosierra de gas está clasificada por la CSA como motosierra de clase 1A. Se trata de una motosierra profesional prevista para ser usada por operarios formados y durante periodos de tiempo prolongados de manera diaria.
 - Sujete la motosierra solamente por las superficies con aislamiento, pues la cadena de la sierra podría entrar en contacto con cables eléctricos ocultos.

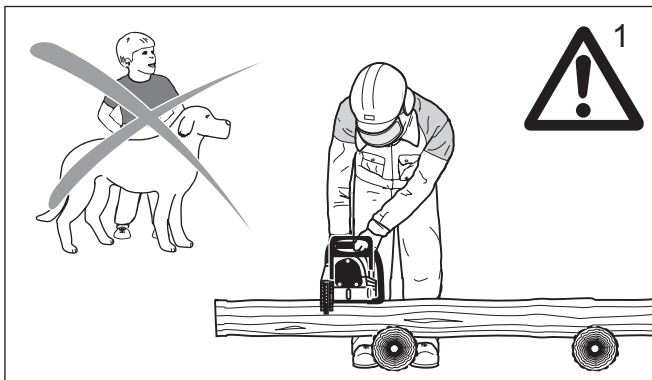
Precauciones generales de seguridad

El uso de la motosierra puede ser peligroso. A plena marcha, la velocidad de la cadena puede llegar a 45 mph (20 m/s). Es importante que Ud. lea, comprenda plenamente y observe las siguientes precauciones de seguridad y advertencias. Lea de tanto en tanto el manual de empleo y las instrucciones de seguridad.

ADVERTENCIA:

Las fuerzas de reacción, incluyendo la repulsión, pueden resultar peligrosas. El uso negligente o incorrecto de toda motosierra puede entrañar lesiones graves o mortales.

Pida a su vendedor MAKITA que le muestre cómo usar la motosierra. Observe todas las normas de seguridad, estándares y ordenanzas vigentes.



ADVERTENCIA:

La utilización de una motosierra está prohibida para menores de edad.

Los espectadores, y en particular los niños y los animales, deben mantenerse alejados de la zona de utilización de la motosierra (fig. 1).

La motosierra no debe dejarse en marcha sin vigilancia, bajo ningún concepto.

Conserve la motosierra en un lugar cerrado, fuera del alcance de los niños. Vacío depósito de aceite y depósito combustible (ver almacenamiento de la motosierra).

No preste su motosierra sin el manual de empleo. Asegúrese de que toda persona que utilice su motosierra haya comprendido las informaciones dadas.

El uso correcto de una motosierra depende

1. del operador
2. de la motosierra
3. del modo de utilización de la motosierra.

Descripción de los símbolos que figuran sobre la motosierra:



Normas CSA
Class 1A

Z62.1-15
Z62.3-11

Norma ANSI

B175.1-2012



Máximo ángulo de repulsión computado (CKA)* sin usar el freno de la cadena y usando las combinaciones recomendadas de guía y cadena (en este ejemplo, el CKA máximo es de 45°).



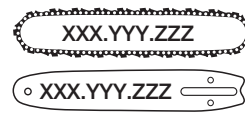
Máximo ángulo de repulsión computado (CKA)* con usar el freno de la cadena y usando las combinaciones recomendadas de guía y cadena (en este ejemplo, el CKA máximo es de 40°).



Debe evitarse todo contacto de la punta de la guía con cualquier objeto. El contacto de la punta puede ocasionar un fuerte movimiento descontrolado de la guía, hacia arriba o hacia abajo, originando heridas graves o mortales.



Al usar la motosierra, esta debe asirse siempre con las dos manos.



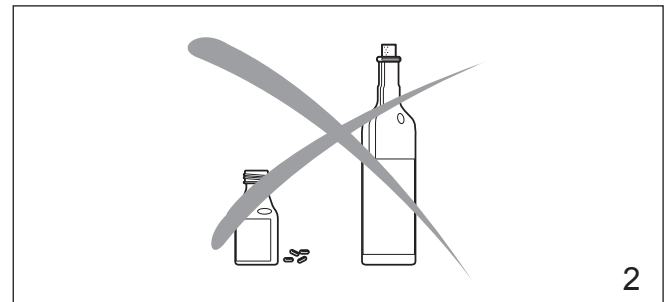
Combinación de guía y cadena de repulsión reducida evaluada con la máquina a efectos de lograr la protección contra la repulsión (conforme a las normas ANSI y CSA).

* El ángulo de repulsión computado es un valor calculado a base de las energías medidas en un banco de pruebas. **No** es el ángulo de la guía movida hacia arriba en caso de REPULSIÓN.

El operador

Estado físico

Ud. debe estar en un buen estado físico y mental, y no estar bajo la influencia de ninguna sustancia (drogas, alcohol) que pudiera reducir su agudeza visual, su habilidad o su juicio.



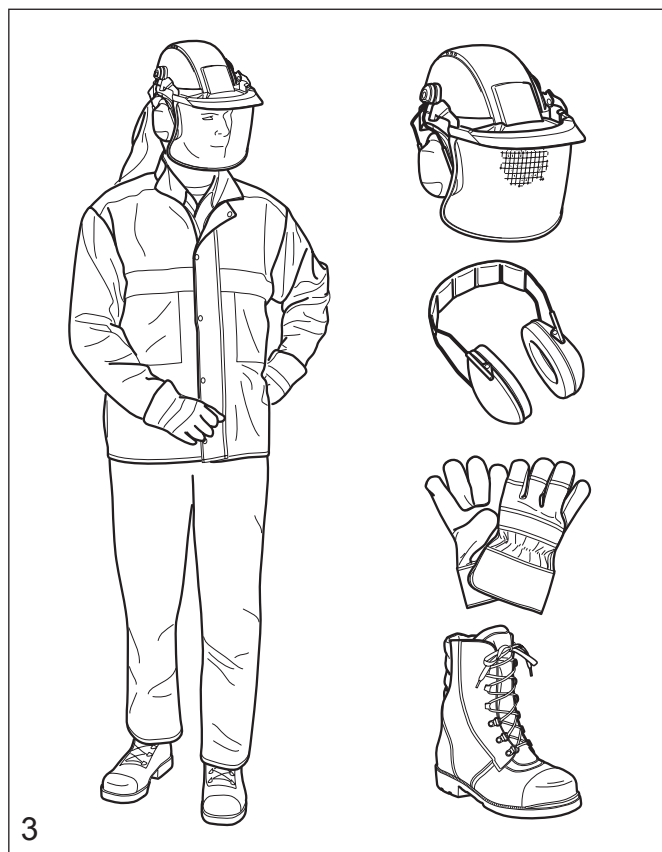
ADVERTENCIA:

El uso prolongado de la motosierra expone al operador a vibraciones que pueden producir la enfermedad de Raynaud. Esta enfermedad se manifiesta con una reducción de la sensibilidad y de la regulación de la temperatura al nivel de las manos, produciendo entumecimiento y sensaciones de ardor, y puede causar daños en los nervios y en la circulación y una necrosis del tejido muscular. Todas las motosierras de MAKITA están provistas de un sistema antivibratorio que es sumamente importante para las personas que utilizan las motosierras en forma regular o prolongada. Los sistemas antivibratorios, si bien no garantizan que Ud. no contraerá la enfermedad de Raynaud, sí reducen considerablemente el riesgo de contraerla. Las personas que utilizan una motosierra en forma continuada y regular deberán observar sus manos y sus dedos, y en caso de constatar síntomas anormales, consultar inmediatamente a un médico.

La vestimenta adecuada

El operador debe usar una vestimenta robusta y ceñida que asimismo le brinde una completa libertad de movimiento. Evite las chaquetas amplias, las bufandas, las corbatas, las joyas, los pantalones de pierna ancha o con vuelta, o cualquier cosa que pudiera quedar enganchada en la sierra o en la cadena. Vista trajes o jeans con refuerzos de protección contra cortes (fig. 3).

Proteja sus manos con guantes antes de manipular la motosierra o la cadena de la sierra. Los guantes antideslizantes de material resistentes mejorarán su asimiento y protegerán sus manos.



Un buen calzado es sumamente importante para trabajar con motosierras. Use botines robustos con suelas antideslizantes. Se recomienda usar zapatos de seguridad con punta de acero.

Es absolutamente indispensable proteger correctamente los ojos. Aconsejamos usar antiparras de seguridad ventiladas, que no se empañan, y una visera. El uso de las mismas reduce el riesgo de sufrir lesiones en los ojos y en la cara.

Proteja su cabeza usando un casco adecuado. El ruido de la motosierra puede dañar su oído. Utilice siempre una protección auditiva (tapones o casquetes antirruidos) para proteger su audición.

Las personas que usan una motosierra en forma continuada y regular deberán hacerse examinar el aparato auditivo a intervalos regulares.

Al serrar madera seca puede producirse polvo. Usar la adecuada máscara protectora.



**¡Use el casco,
las antiparras y la
protección antirruidos!**

La motosierra

Partes de la motosierra: consulte las ilustraciones y las descripciones en la página 100.

ADVERTENCIA:

Nunca, ni bajo ningún concepto, modifique la motosierra. Solamente están autorizados los accesorios provistos por MAKITA, o expresamente autorizados por MAKITA, para utilizarlos con la motosierra específica.

ADVERTENCIA:

Las guías de hoja ancha aumentan en forma importante el riesgo de la repulsión, y en consecuencia, de heridas graves o mortales, dada la mayor zona de repulsión del diseño. Las guías de hoja ancha **no se aconsejan** para usarlas con motosierras de MAKITA, ni están aprobadas por la norma de seguridad para motosierras ANSI B175.1-2012.

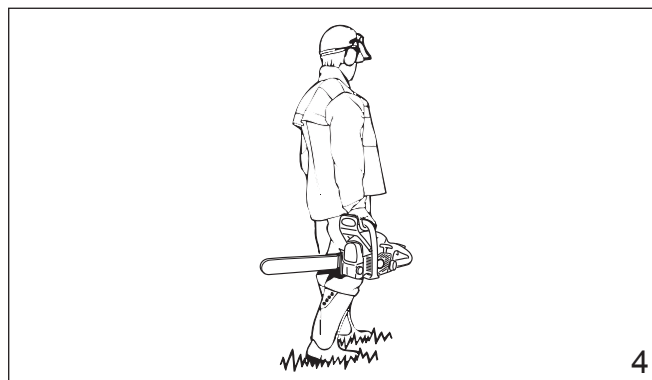
Uso de la motosierra

Transportar la motosierra

ADVERTENCIA:

Detenga siempre el motor antes de depositar o de llevar la motosierra. Es sumamente peligroso transportar la motosierra en marcha. Una aceleración accidental del motor puede hacer rotar la cadena.

Evite el contacto con el silenciador caliente (peligro de quemaduras).



Transporte manual: Cuando lleve su motosierra a mano, el motor debe estar detenido y la motosierra debe estar en la posición correcta. La cubierta protectora debe estar montada en la guía y la guía debe indicar hacia atrás. Cuando transporte su motosierra, la guía debe encontrarse detrás de Ud. (fig. 4).

Transporte en vehículo: Cuando transporte la motosierra en un vehículo, la cadena y la guía deben estar protegidas con la cubierta protectora. Asegure la motosierra adecuadamente para prevenir desplazamientos, fugas de combustibles y daños de la motosierra. Asegúrese de que la motosierra no está expuesta al calor o a chispas.

Instrucciones de utilización

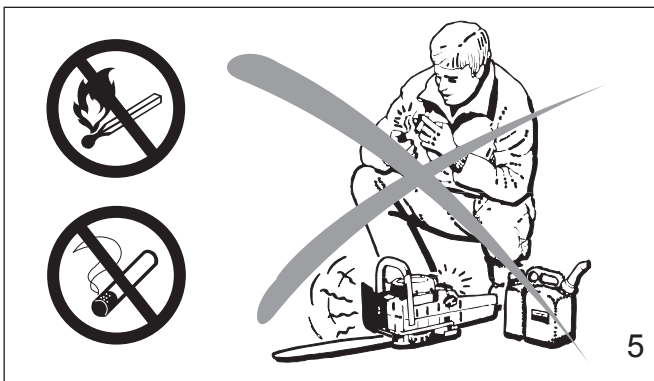
Para montar la motosierra, siga el procedimiento indicado en el capítulo "Montaje del riel/de la cadena de sierra" de este manual de empleo. La cadena, la guía y el piñón MAKITA deben combinar el uno con el otro (véase el capítulo correspondiente en este manual de empleo).

ADVERTENCIA:

La tensión correcta de la cadena es extremadamente importante. A efectos de evitar un reglaje incorrecto, la tensión de la cadena debe realizarse conforme a la descripción del presente manual. Asegúrese siempre de que la(s) tuerca(s) hexagonales del protector del piñón esté(n) bien ajustadas después de haber tensado la cadena. Verifique la tensión de la cadena una vez más, después de haber tensado las tuercas, y luego, hágalo a intervalos regulares (siempre antes de comenzar a trabajar). Si la cadena se aflojara durante el trabajo, detenga el motor y luego ajústela. ¡No trate jamás de tensar la cadena con el motor en marcha!



Carga de combustible

Su motosierra MAKITA funciona solamente con una mezcla de gasolina y aceite de dos tiempos (ver capítulo "Combustibles" en este manual).

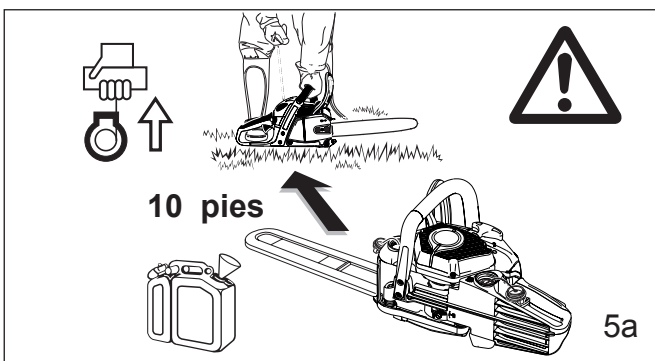


ADVERTENCIA:

La gasolina es un combustible altamente inflamable. Sea extremadamente prudente al manipular la gasolina o la mezcla de combustible. No fume, y evite la presencia de cualquier chispa o llama cerca del combustible (fig. 5).

Instrucciones de carga  

Cargue el combustible en su motosierra en recintos bien aireados o al aire libre. Detenga siempre el motor y déjelo enfriar antes de cargar combustible. Realice la carga de combustible sobre una superficie limpia y aleje la motosierra al menos 10 pies (3 m) del punto de carga antes de poner en marcha el motor (fig. 5a).

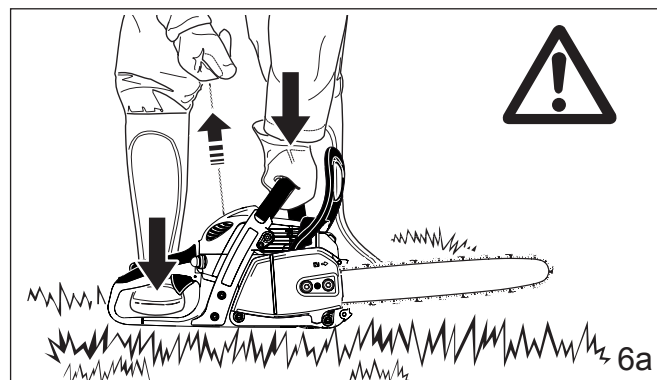
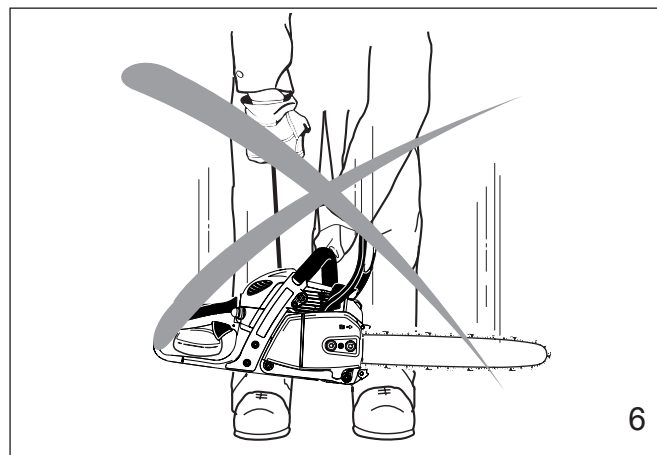


Quite con un trapo el combustible derramado antes de poner en marcha la motosierra, y examínela por si tuviera fugas de combustible.

Examine la motosierra por si tuviera fugas de combustible, durante la carga y durante la utilización. Si Ud. comprobara fugas de combustible o de aceite, no ponga en marcha el motor antes de haber sellado la fuga ni antes de que el aceite derramado haya sido quitado con un trapo. Cambie inmediatamente su vestimenta si estuviera ensuciada con combustible (¡peligro de muerte!). Evite el contacto de la piel con el aceite. Nunca suelte ni remueva la tapa del depósito de combustible mientras el motor está en marcha.

Arranque

Jamás arranque la motosierra dejándola caer hasta el tope de la cuerda. Este método es muy peligroso porque Ud. puede perder el control sobre la motosierra (fig. 6).



Coloque la motosierra sobre un suelo firme u otra superficie sólida en un espacio abierto. Asegúrese de que Ud. tiene una posición estable y que conserva el equilibrio. Coloque su pie derecho dentro del asidero trasero y sujete firmemente el asidero delantero con su mano izquierda (fig. 6a).

Ud. debe asegurarse absolutamente de que ni la guía ni la cadena estén en contacto ni con Ud. ni con cualquier obstáculo u objeto, incluyendo el suelo, ya que si el motor arranca en una posición de medio gas, la velocidad del motor será suficiente para que el embrague engrane con el piñón y haga girar la cadena, ocasionando un riesgo de repulsión.

Nunca trate de poner en marcha la motosierra cuando la guía se encuentra dentro de un corte o dentro de una ranura.

Cuando tire del asidero de arranque, nunca enrolle la cuerda de arranque alrededor de su mano. No deje rebotar el asidero de arranque, sino que guíe la cuerda de arranque lentamente para permitir que se enrolle correctamente. La no observación de este método puede ocasionar lesiones en las manos o en los dedos y dañar el mecanismo de arranque.

Reglajes importantes

ADVERTENCIA:

Si el ralentí está correctamente regulado, la cadena no debe girar. Las instrucciones para ajustar el carburador están en el capítulo correspondiente de este manual.

No use nunca una motosierra con el ralentí mal regulado. Regule Ud. mismo el ralentí en la forma indicada en el capítulo correspondiente de este manual de empleo.

Pida a su vendedor MAKITA que examine su motosierra y que realice las regulaciones o reparaciones indicadas.

Examine la tensión de la cadena de la sierra con frecuencia, especialmente después de haber instalado una nueva cadena. Las cadenas nuevas pueden estirarse un poco durante el primer tiempo de utilización. Una cadena de sierra correctamente ajustada puede tirarse libremente a mano alrededor de la guía, sin que se afloje. Para verificar o regular la tensión de la cadena, siempre debe detenerse el motor y usarse guantes.

Condiciones de trabajo

Utilice su motosierra solamente al aire libre. Utilice la motosierra solamente bajo buenas condiciones de visibilidad y sólo a la luz del día.

ADVERTENCIA:

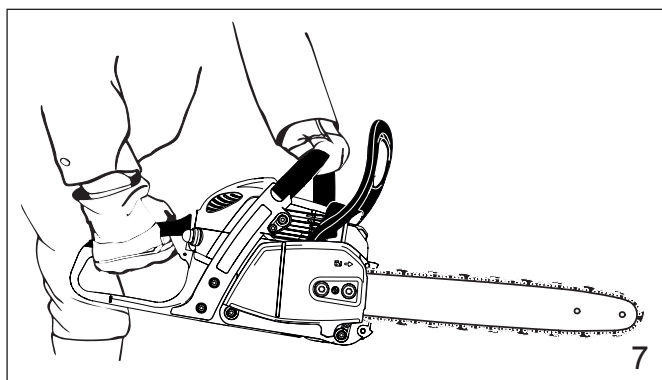
Sea extremadamente prudente cuando el tiempo es húmedo y/o frío (lluvia, nieve, hielo). Deje de trabajar cuando el tiempo es ventoso, tormentoso o cuando la lluvia es fuerte. Despeje su zona de trabajo.

ADVERTENCIA:

Evite los tropiezos sobre obstáculos tales como tocones, raíces o rocas y ponga atención en hoyos y zanjas. Sea extremadamente cauteloso cuando trabaje sobre un terreno inclinado o accidentado. Existe un riesgo de deslizarse sobre los rodillos recién cortados.

Instrucciones de corte

Cuando el motor está en marcha, sujete siempre la motosierra firmemente con ambas manos. Coloque su mano izquierda en el asidero tubular y su mano derecha sobre el acelerador. Estas instrucciones son igualmente válidas para los zurdos.



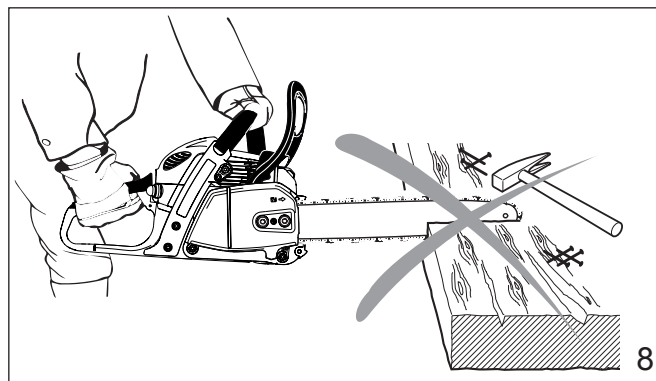
Mantenga firmemente los dedos alrededor de los asideros, sujetando los asideros entre sus pulgares y sus dedos índices (fig. 7). Esta posición será la que mejor le permitirá resistir y absorber las fuerzas de los golpes, tracciones y repulsiones de la motosierra, sin que se le escape de las manos (ver capítulo referente a fuerzas de reacción). Asegúrese de que los asideros de la motosierra estén en buenas condiciones y libres de humedad, suciedad, aceite o grasa.

Comience los cortes siempre con la motosierra a plena marcha y con la guía de la cadena en contacto con la madera.

Al empezar el corte la motosierra puede desviarse lateralmente o saltar ligeramente. Eso depende de la madera y el estado de la cadena. **Por esto, sujetar siempre la motosierra con las dos manos.**

ADVERTENCIA:

Nunca use la motosierra con una mano sola. Ud. no podrá controlar las fuerzas de reacción (ver páginas 93 a 95) y podría perder el control de la motosierra.



ADVERTENCIA:

No utilice la motosierra en una posición de medio gas. Los cortes en esta posición no le permitirán al operador mantener un control adecuado de la motosierra o de la velocidad de la cadena.

ADVERTENCIA:

Nunca acerque demasiado sus manos o su cuerpo a una cadena en movimiento.

ADVERTENCIA:

Corte solo madera. No use la motosierra para finalidades no previstas. Por ejemplo: no use la motosierra para cortar plástico, mampostería o materiales de construcción que no sean madera.

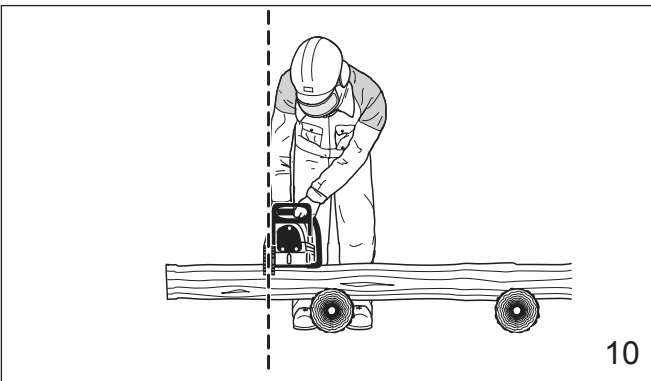
Utilice su motosierra solamente para cortar. No está diseñada para arrancar o palar ramas, raíces u otros objetos.

Al cortar, asegúrese de que la motosierra no toque ningún otro material extraño como por ejemplo piedras o clavos (fig. 8). Estos objetos podrían ser proyectados, dañar la cadena de la sierra o causar una repulsión.

¡Si la máquina ha sufrido violencias, por ejemplo por golpes o caídas, controlar el correcto funcionamiento de toda la motosierra!



A efectos de mantener el control sobre la motosierra, adopte siempre una posición firme sobre el suelo. Jamás trabaje subido a una escalera, ni trepado a un árbol ni sobre otro soporte inestable. Nunca trabaje con la motosierra por encima de la altura de los hombros (fig. 9).



Siempre que el motor esté en marcha, posicione la motosierra de tal modo que su cuerpo quede apartado del elemento a cortar (fig. 10).

No ejerza presión sobre la motosierra al llegar al final de un corte. A causa de la presión, la motosierra podría saltar fuera del corte o de la entalladura, volverse incontrolable y golpear al operador o a algún objeto. Si el movimiento de la cadena tocara algún objeto, una fuerza de reacción (ver págs. 94 a 96) podría hacer que la cadena lesione al operador.

Fuerzas de reacción durante el corte, incluyendo la repulsión

ADVERTENCIA:

Las fuerzas de reacción que podrían ocurrir durante todo corte son la repulsión, el retroceso y la tracción. Las fuerzas de reacción pueden ser peligrosas. En toda motosierra, la potencia usada para cortar madera puede revertirse (y actuar contra el operario).

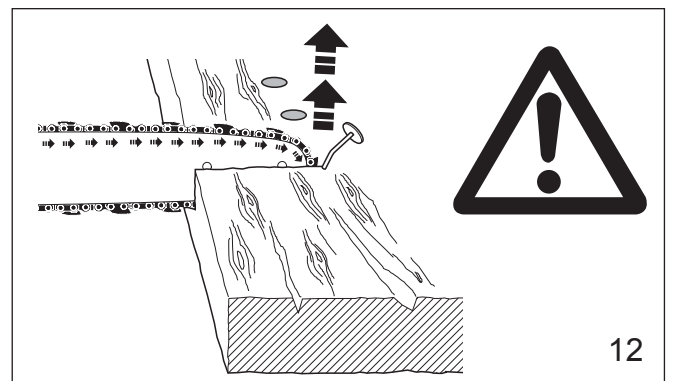
Si la cadena en movimiento se detiene bruscamente por contacto con cualquier objeto sólido, como por ejemplo un rollizo de madera o una rama, o si se trabara, las fuerzas de reacción se producen instantáneamente. Estas fuerzas de reacción pueden ocasionar la pérdida de control que, asimismo, puede causar lesiones serias o mortales. La comprensión de las causas de estas fuerzas reactivas le ayudará a evitar la pérdida de control. Las fuerzas reactivas más comunes son:

- repulsión,
- retroceso,
- tracción



Repulsión:

La repulsión se produce cuando el cuadrante superior de la punta de la guía toma contacto con un objeto sólido en la madera o cuando queda retenida (fig. 11). La reacción de la fuerza de corte de la cadena rotativa ocasiona una fuerza de rotación sobre la cadena de la sierra en la dirección opuesta al movimiento de la cadena, ante todo sobre el plano de la guía. Esto puede ocasionar un movimiento en arco, incontrolado, hacia el operador.



Esta reacción puede ocurrir en una fracción de un segundo, y bajo determinadas circunstancias, la guía y la cadena podrían chocar contra el operario con una fuerza suficiente para causarle lesiones graves o mortales. Esto también puede ocurrir durante el desramado. También sucede cuando la punta de la guía queda atrapada inesperadamente o toma contacto con un objeto sólido en la madera (fig. 12) o cuando es usada incorrectamente para iniciar un corte en profundidad.

Cuanto mayor sea la fuerza de reacción, tanto mayores serán las dificultades que tendrá el operador para controlar la motosierra.

Muchos factores determinan la aparición y la fuerza de reacción de la repulsión. El tipo de guía y de cadena de sierra que Ud. utilice también es un factor de la fuerza de repulsión.

La velocidad a la que la cadena entra en contacto con el objeto.

La fuerza de repulsión aumenta con la fuerza del impacto.

El ángulo de contacto entre la punta de la guía y el cuerpo extraño (fig. 11).

La repulsión será más pronunciada en el cuadrante superior de la punta de la guía.

Los modelos de cadenas MAKITA se han concebido para reducir las fuerzas de repulsión.

Los topes de profundidad:

La reducción incorrecta de los topes de profundidad también aumenta el riesgo de repulsión.

Afilado de las muelas de sierra:

ADVERTENCIA:

Una cadena mal afilada puede aumentar el riesgo de repulsión. Trabaje siempre con una cadena afilada correctamente.

Dispositivos para reducir el riesgo de lesiones por repulsión

MAKITA ha desarrollado un freno de cadena especial para reducir el riesgo de repulsiones.

Este freno de cadena aumenta la seguridad del trabajador, por ejemplo, cuando la motosierra repentinamente se mueve hacia arriba, la cadena deja de rotar en una fracción de segundo. La protección de manos situada sobre la palanca activadora del freno de cadena y el asidero trasero protegido brindan una protección permanente de las manos del usuario.

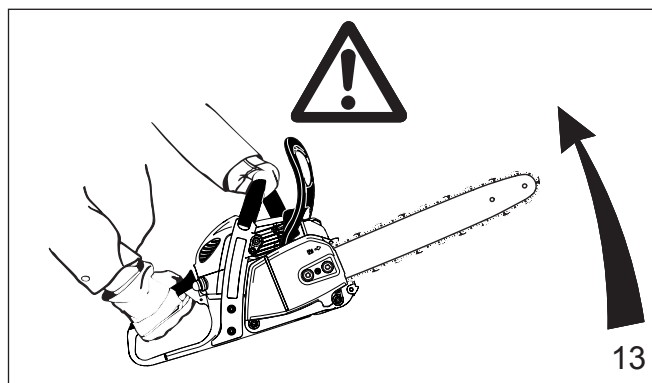
La tendencia de repulsión aumenta proporcionalmente al radio o tamaño de la punta de la guía. MAKITA ha desarrollado guías con un pequeño radio de la punta a efectos de reducir la tendencia de repulsión.

ADVERTENCIA:

Ningún freno de cadena puede evitar la repulsión.

Estos frenos se han diseñado solamente para detener la cadena una vez activada.

Para asegurar el funcionamiento fiable del freno de la cadena debe realizarse un mantenimiento adecuado del mismo. Además, la distancia entre el operador y la guía debe ser suficiente para que el freno de la cadena tenga tiempo de reaccionar y de detener la cadena antes de un eventual contacto con el operador.



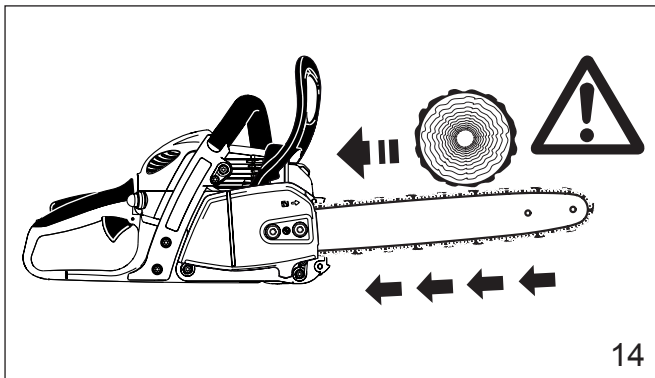
Para evitar la repulsión

La mejor forma de evitar lesiones resultantes de una repulsión es evitar las situaciones que la favorezcan:

1. Mantenga la motosierra firmemente sujeta con ambas manos y mantenga un asimiento firme.
2. Controle en todo momento la localización de la punta de la guía.
3. Nunca ponga la punta de la guía en contacto con ningún objeto. No corte ramas con la punta de la guía. Sea especialmente cuidadoso con ramas pequeñas y duras, con malezas de tamaño pequeño y con árboles jóvenes, ya que pueden engancharse fácilmente en la cadena.
4. No corte con los brazos estirados.
5. No corte por encima de la altura de los hombros.
6. Comience y continúe el corte a plena marcha.
7. Nunca corte más de un rollizo a la vez.
8. Sea extremadamente prudente cuando vuelva a entrar en un corte ya existente.
9. No intente realizar cortes a fondo (ver pág. 97) si no dispone Ud. de la experiencia necesaria para estas técnicas de corte.
10. Ponga siempre atención en un desplazamiento del rollizo o en otras fuerzas que podrían cerrar el corte y atrapar la cadena.
11. Asegúrese del mantenimiento correcto de la cadena. Trabaje solamente con una cadena correctamente afilada y adecuadamente tensada.
12. Párese al costado de la trayectoria de corte de la motosierra.

El retroceso:

El retroceso se produce cuando la cadena que se encuentra en la parte superior de la guía se detiene súbitamente porque está atrapada, enganchada o ha tocado un objeto extraño en la madera. La reacción de la cadena repulsa la motosierra hacia atrás, directamente hacia el operario, haciéndole perder el control de la motosierra. El retroceso frecuentemente se produce cuando se usa la parte superior de la cadena para cortar (fig. 14).



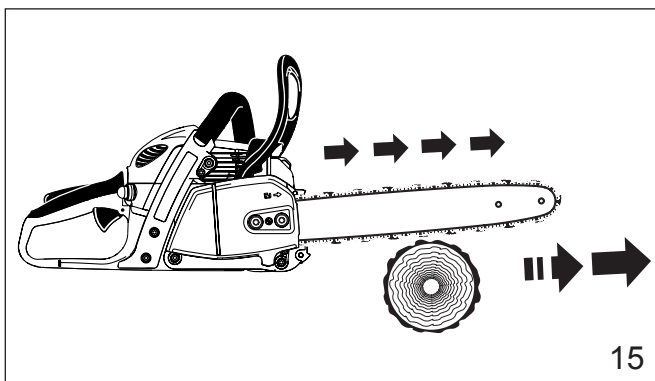
Cómo evitar el retroceso

1. Ponga atención en las fuerzas o situaciones en las que la madera podría atrapar la parte superior de la cadena.
2. Nunca corte más de un rollizo a la vez.
3. Nunca fuerza la motosierra al retirar la guía de un corte a fondo o al seccionar un rollizo (figs. 25 a 27 y 33, págs. 97 y 99), porque la cadena podría atascarse.

Tracción:

La tracción se produce cuando la cadena que se encuentra en la parte inferior de la guía se detiene súbitamente por haber quedado atascada, enganchada o haber tocado un objeto extraño en la madera (ver fig. 15). La reacción de la cadena tira la motosierra hacia adelante, haciéndole perder al operador el control de la motosierra.

La tracción suele producirse cuando la regleta o barra dentada no se mantiene firmemente contra el árbol o la rama y cuando la cadena no rota a plena marcha antes de entrar en contacto con la madera.



ADVERTENCIA:

Sea extremadamente prudente cuando corte malezas o árboles jóvenes que podrían fácilmente engancharse en la cadena y hacerle perder el equilibrio.

Cómo evitar la tracción

1. Comience siempre un corte con la cadena rotando a plena marcha y con la barra dentada en contacto con la madera.
2. La tracción también podrá evitarse usando cuñas de plástico para abrir las muescas o los cortes.

Técnicas de corte

Tala

La tala es el corte y derribo de árboles.

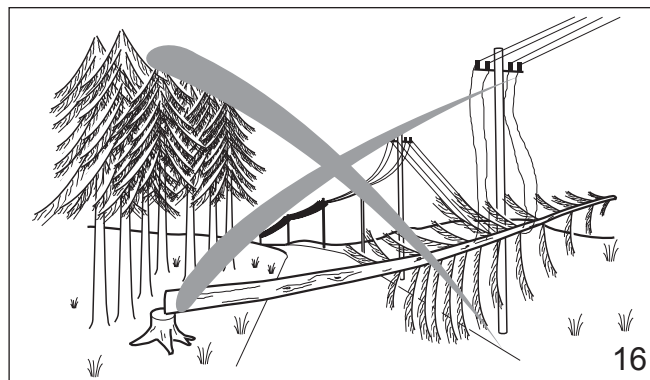
Antes de talar un árbol, considere todas las condiciones que podrían influir la dirección del derribo, a saber:

- la dirección intencionada del derribo
- la inclinación normal del árbol
- alguna estructura inusual de las ramas
- árboles y obstáculos del entorno
- la dirección y velocidad del viento.

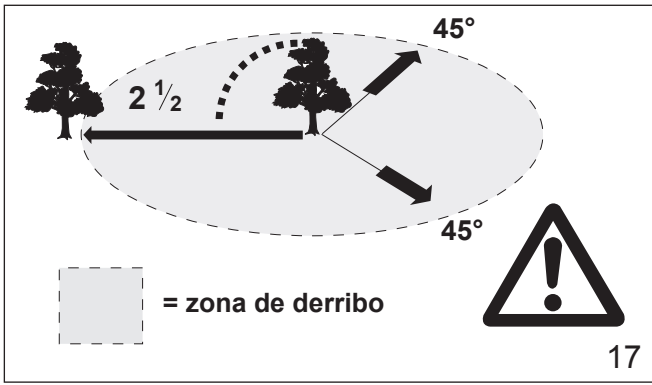
ADVERTENCIA:

Observe siempre el estado general del árbol. Examine el tronco por huellas de podredumbre. Si estuviera podrido por dentro, podría romperse y derrumbarse en dirección al operador durante el corte.

Observe también la existencia de ramas quebradas o muertas que podrían soltarse con la vibración y caer sobre el operador. Cuando la tala se realiza en un terreno inclinado, el operador deberá situarse en la parte alta del terreno.



Si la tala se realiza en las inmediaciones de calles, ferrovías y líneas de transmisión eléctrica, etc., Ud. deberá tomar precauciones adicionales (ver fig. 16). Informe a la policía, empresa de electricidad o autoridad ferroviaria antes de iniciar la tala.

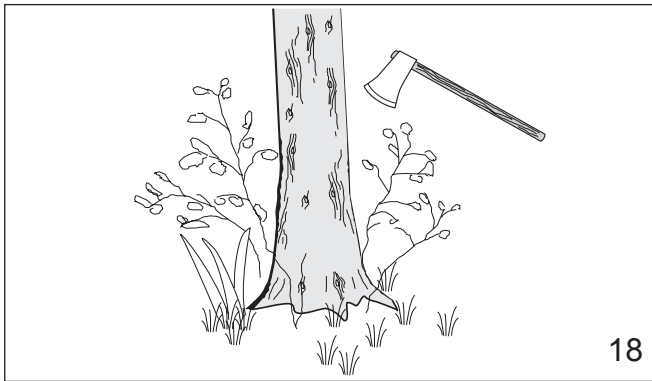


Durante el derribo, mantenga una distancia de por lo menos 2 veces y media de la altura del árbol, con la persona más próxima (ver fig. 17).

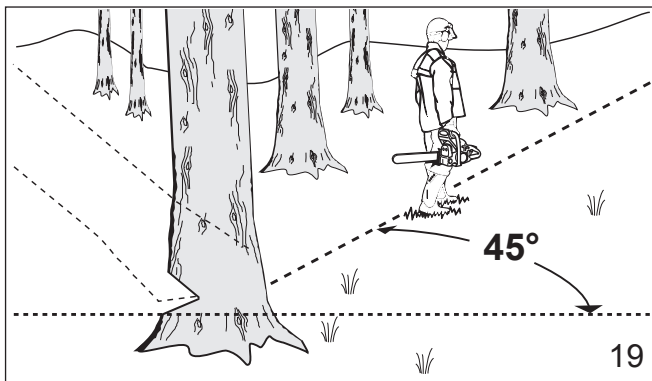
Nota:

El ruido de la motosierra puede tapar todo tipo de llamada de advertencia.

Instrucciones de tala:



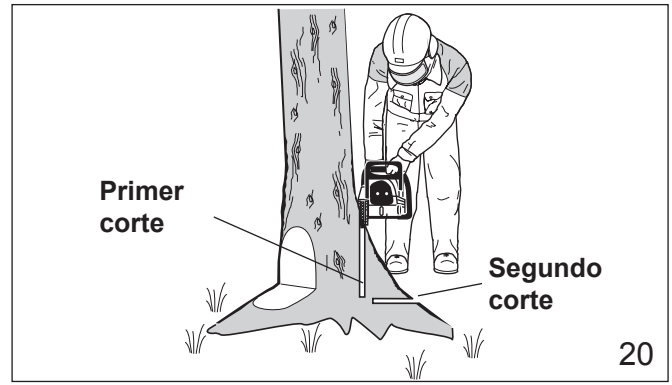
Antes de la tala, despeje la base del árbol y el área de trabajo de ramas y malezas, y limpie la parte inferior del árbol con un hacha (ver fig. 18).



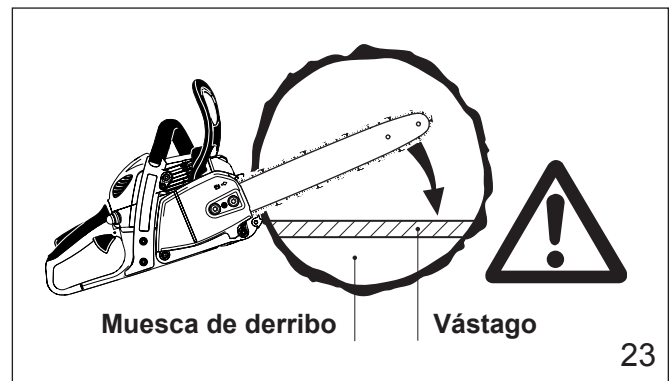
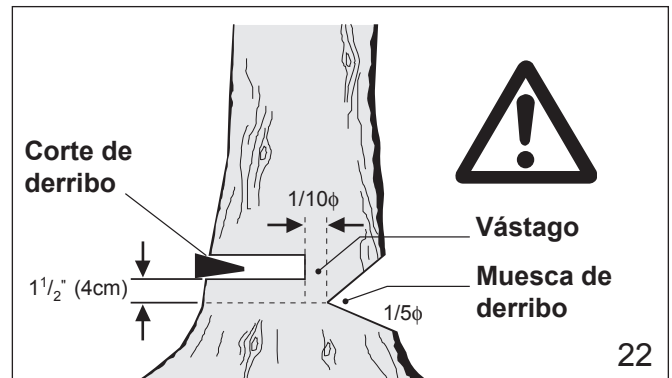
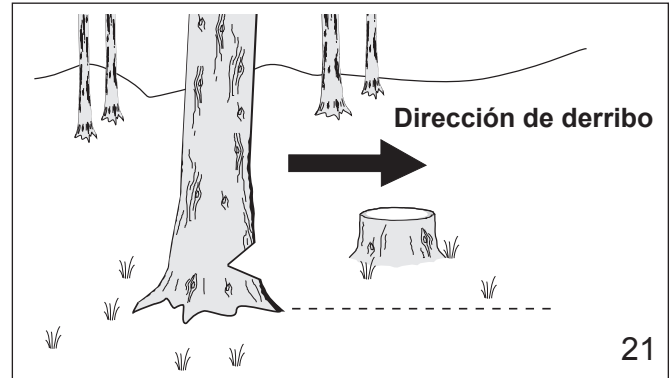
Planifique su trabajo, despeje el área de trabajo de obstáculos y prepare de antemano al menos una vía para escapar del árbol que está cayendo.

Entonces, fije una vía de escape y libérela de todos los obstáculos. Esta vía debería ser opuesta a la dirección prevista del derribo del árbol y mantener un ángulo de 45° (fig. 19).

También debe escogerse una segunda vía. Coloque todas las herramientas y equipos a una distancia suficiente del árbol, pero no en la vía de escape.



Si el árbol tiene grandes raíces de apoyo, corte las raíces más grandes, primero con un corte vertical, luego horizontal, y remueva la madera (fig. 20).



Acto seguido, determine la ubicación de la muesca de derribo (fig. 21). La muesca de derribo, si está correctamente posicionada, determina la dirección en la que se derribará el árbol. Se realiza perpendicular a la línea de derribo y debe estar lo más cerca posible del suelo.

Corte la muesca de derribo a una profundidad de una quinta o cuarta parte del diámetro del tronco (fig. 22). La muesca nunca debe ser más alta que profunda. Realice la muesca de derribo con sumo cuidado.

Inicie el corte de derribo ligeramente por encima de la altura de la muesca de derribo y en el lado opuesto del árbol (fig. 22). Entonces, haga un corte horizontal, en dirección hacia la muesca de derribo. Aplique la motosierra con su barra dentada directamente detrás de la parte del tronco sin cortar, y corte en dirección hacia la muesca (fig. 23). Deje un 1/10 aproximadamente del diámetro del árbol sin cortar. Esta porción es el vástago (fig. 23). No corte el vástago, ya que ello podría hacerle perder el control de la dirección de derribo del árbol. Si fuera necesario para controlar el sentido de la caída, introduzca cuñas en el corte de derribo. Las cuñas pueden ser de madera, de aleación ligera o de plástico, pero nunca de acero, ya que podrían ocasionar la repulsión y deteriorar la cadena.

Manténgase siempre al costado del árbol que se derriba. Cuando el árbol comienza a derribarse, detenga el motor, retire la guía y aléjese por la vía de escape que ha preparado. Ponga atención en ramas que puedan caer.

ADVERTENCIA:

Sea extremadamente prudente con los árboles derribados en forma parcial, insuficientemente sostenidos.

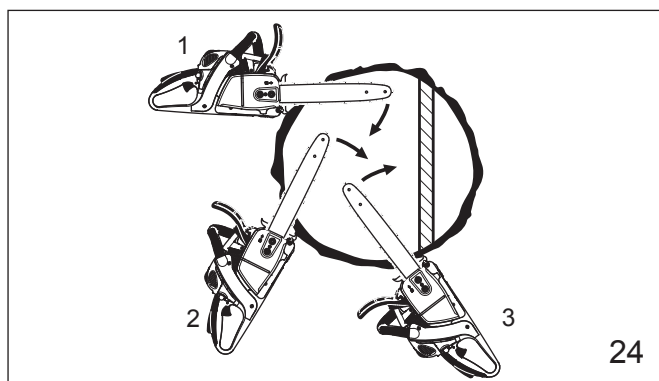
Si el árbol queda en suspenso o si por una razón u otra no se derribara completamente, deposite la motosierra a un costado y derribe el árbol con la ayuda de un cable, de un aparejo o de un tractor. Si Ud. tratara de abatirlo con ayuda de la motosierra, correrá peligro de sufrir lesiones.

Método por secciones

ADVERTENCIA:

Para abatir un árbol que tenga un diámetro superior al largo de la guía, deberá usarse ya sea el método por secciones o el corte a fondo. Estos métodos son extremadamente peligrosos porque incluyen el uso de la punta de la guía, lo que puede ocasionar repulsiones.

Sólo los profesionales suficientemente adiestrados podrán aplicar estas técnicas.



Para el método por secciones (fig. 24), realice el primer corte pivotando la guía en dirección hacia el vástago. Reposicione la motosierra, apoyándola en el diente de tope a modo de pivote, para realizar el corte siguiente. No reposicione la motosierra más veces de las necesarias.

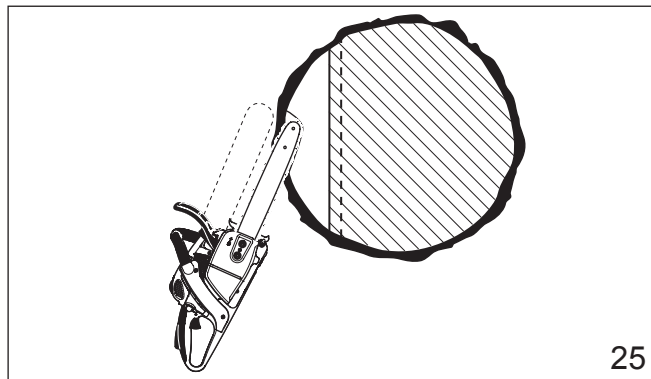
Antes de reposicionar la motosierra para el corte siguiente, mantenga la guía completamente incorporada en la ranura, a efectos de mantener el corte de derribo derecho. Si la motosierra comenzara a trabarse, inserte una cuña para abrir el corte. En el último corte, evite cortar el vástago.

Método de corte en profundidad

En los troncos que tengan un diámetro superior a dos veces el largo de la guía deberá aplicarse el método de corte en profundidad, antes de realizar el corte de derribo.

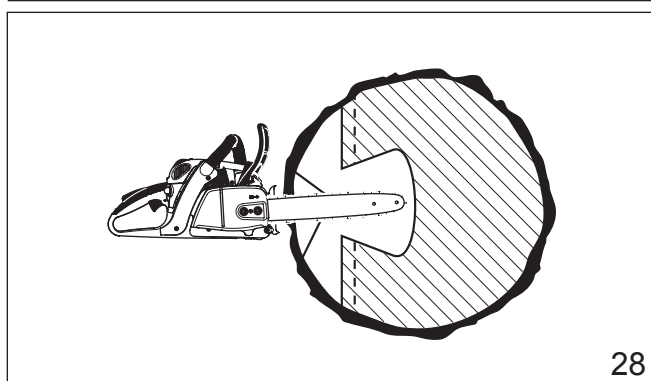
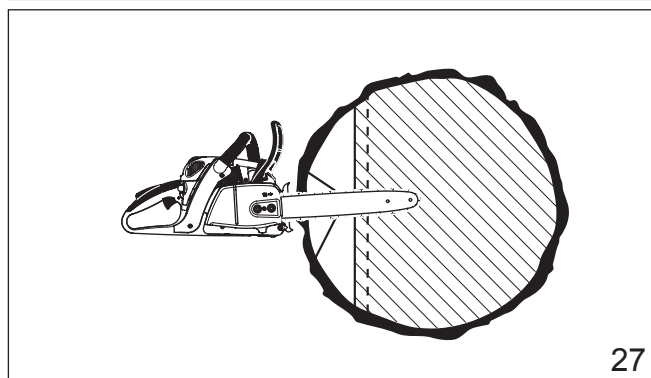
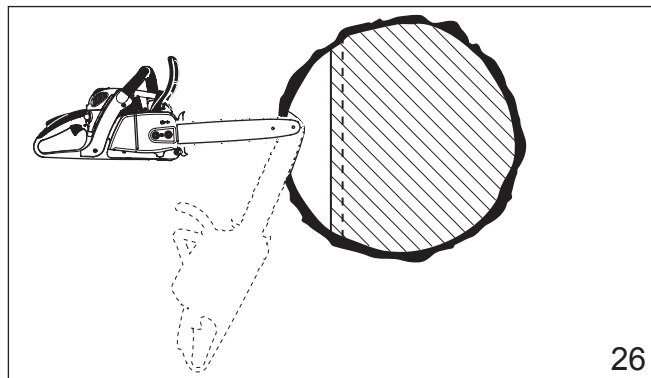
En primer lugar, corte una muesca grande y amplia. Realice un corte en profundidad en el centro de la muesca.

El corte en profundidad se hace con la punta de la guía. Inicie el corte a fondo aplicando la parte inferior de la punta de la guía en el árbol, en un ángulo (fig. 25). Siga cortando, hasta que la profundidad de la ranura sea aproximadamente igual al ancho de la guía (fig. 26).



A continuación, alinee la motosierra en la dirección en la que debe cortarse la escotadura. Con la motosierra a pleno gas, inserte la guía en el tronco (fig. 27).

Amplíe el corte en profundidad según muestra la ilustración (fig. 28).

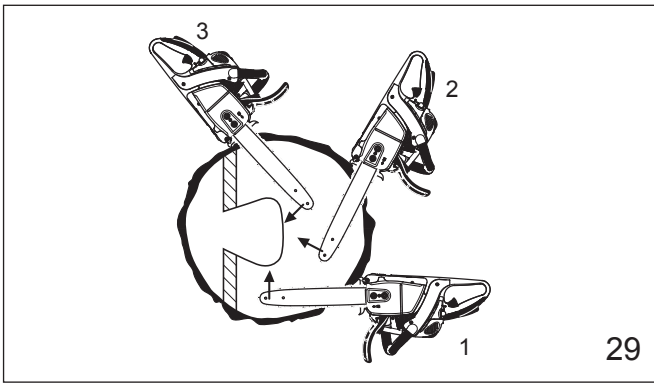


25

26

27

28



29

ADVERTENCIA:

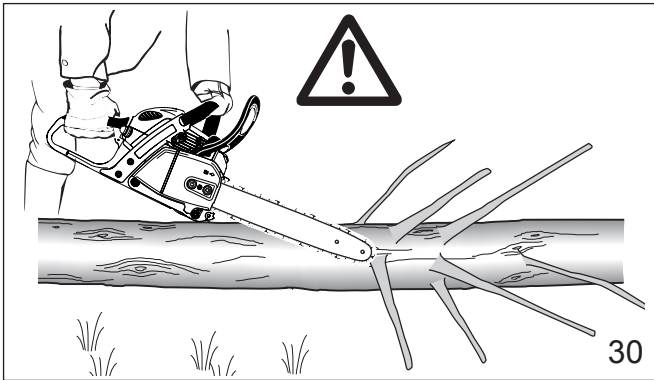
En este punto, el peligro de repulsión es extremo. Deben tomarse precauciones especiales para mantener el control de la motosierra. Para realizar el corte de derribo, siga el método por secciones descrito con anterioridad (fig. 29). Si Ud. no tiene experiencia en el trabajo con motosierra, no debe intentar el corte en profundidad. Busque la ayuda de un profesional.

Desramado

El desramado es la eliminación de las ramas de un árbol talado.

ADVERTENCIA:

Existe un peligro extremo de repulsión durante los trabajos de desramado. No trabaje con la punta de la guía. Sea extremadamente cuidadoso y evite el contacto de la punta de la guía con el rollizo o con otras ramas. Nunca se pare sobre un rollizo para desramarlo: Ud. podría deslizarse, o el rollizo podría rodar.



30

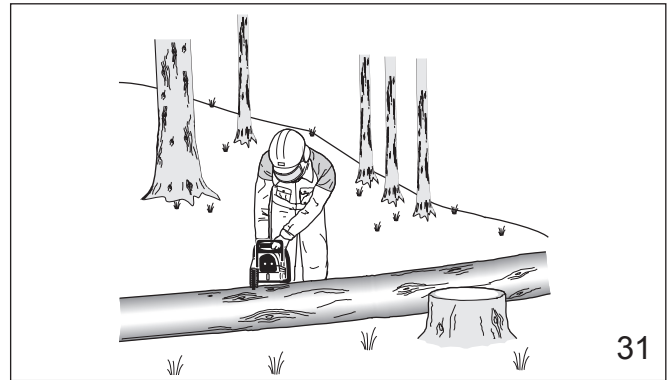
Comience el desramado con las ramas superiores, dejando las ramas inferiores para que apoyen el tronco sobre el suelo (fig. 30). Corte siempre a partir de la parte superior del nacimiento de la rama. No corte desde abajo las ramas que cuelguen libremente, ya que podría atraparse la motosierra o la rama podría caer, ocasionando la pérdida de control. Si se produjera un atasco de la guía, detenga el motor y remueva la sierra, levantando la rama.

ADVERTENCIA:

Sea extremadamente cauteloso al cortar ramas que estén bajo tensión. Las ramas podría saltar en dirección al operador y causar la pérdida de control de la motosierra o lesiones al operador.

Fragmentado

El fragmentado es el corte de un rollizo en fragmentos.



31

ADVERTENCIA:

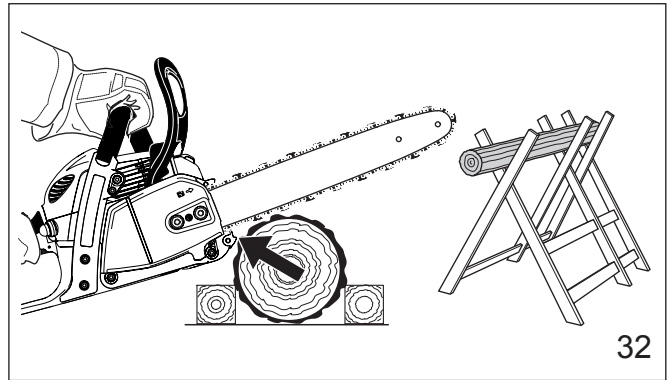
1. Durante las tareas de fragmentado, no se pare sobre el rollizo. Asegúrese de que el rollizo no rueda cuesta abajo. Si se encontrara en una pendiente, permanezca siempre del lado más alto de la pendiente (ver fig. 31). Tenga cuidado con rollizos que rueden.

ADVERTENCIA:

2. Corte sólo un rollizo a la vez.

ADVERTENCIA:

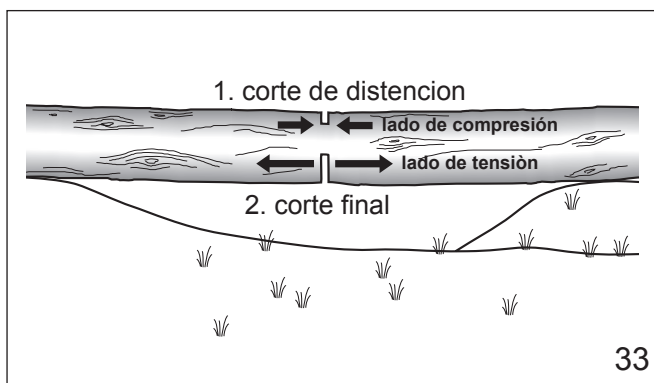
3. La madera quebrada debe cortarse con sumo cuidado, ya que la motosierra podría atrapar astillas afiladas y despedirlas en dirección hacia el operador.



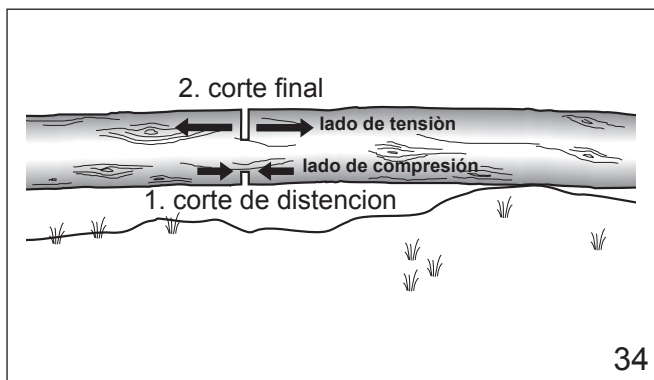
32

ADVERTENCIA:

4. Al cortar rollizos pequeños, utilice un caballete (fig. 32). Nunca permita que otra persona sujete el rollizo. Nunca sujete el rollizo con su pierna o pie. Al terminar el corte la motosierra caerá por efecto de su propio peso. Controlarla estando preparado.



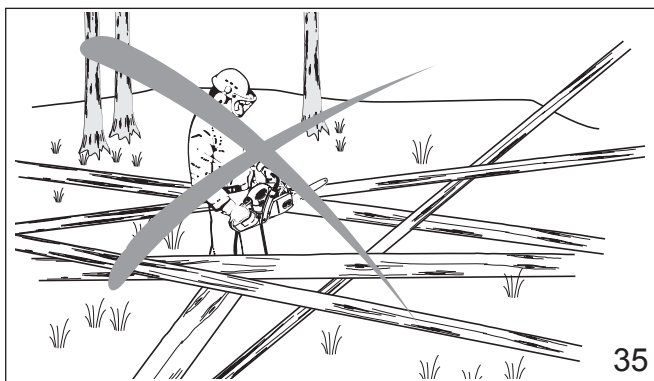
33



34

ADVERTENCIA:

- Los rollizos que están bajo tensión requieren especial atención para evitar que la motosierra se atasque. El primer corte debe realizarse en el lado comprimido, para aliviar la tensión del rollizo (ver fig. 33, 34). Entonces, el corte de fragmentación se realiza en la forma anteriormente indicada. Si la motosierra se atascara, detenga el motor y remuévala del rollizo.



35

ADVERTENCIA:

- Solamente los profesionales adecuadamente adiestrados deben trabajar en áreas en las hay rollizos, ramas y raíces enredados (por ejemplo, en consecuencia de una tormenta, fig. 35). En zonas de este tipo, el trabajo es sumamente peligroso.

ADVERTENCIA:

- Arrastre los rollizos a una zona despejada antes de cortarlos. Comience sacando primero los rollizos expuestos y despejados.

Mantenimiento y reparación

Nunca utilice una motosierra dañada, incorrectamente ajustada, incompleta ni incorrectamente montada. Observe las instrucciones de mantenimiento y reparaciones contenidas en los correspondientes capítulos de este manual de empleo.

ADVERTENCIA:

Antes de iniciar cualquier tarea de mantenimiento, reparación o limpieza de la motosierra, detenga siempre el motor y asegúrese de que la cadena está detenida. Antes de hacer trabajos de mantenimiento dejar enfriar la motosierra ¡(Peligro de quemaduras)! No cubrir la motosierra cuando esté caliente (p.ej. con una lona, una manta, periódicos ...). Antes de colocar la motosierra en una caja de transporte o en un automóvil, dejar que se enfríe. ¡Las motosierras con catalizador requieren un mayor tiempo de refrigeración! Nunca intente realizar algún trabajo de mantenimiento o reparación que no esté descrito en este manual. Encomiende este tipo de trabajos solamente a su servicio técnico de MAKITA.

Mantenimiento y almacenamiento de la motosierra

Mantenga la cadena, la guía y el piñón limpios y lubricados; recambie las cadenas y los piñones gastados.

La cadena siempre debe estar correctamente afilada. Ud. podrá reconocer que la cadena está trunca cuando una madera, normalmente fácil de cortar, se corta con dificultad y aparecen marcas de quemadura en la madera.

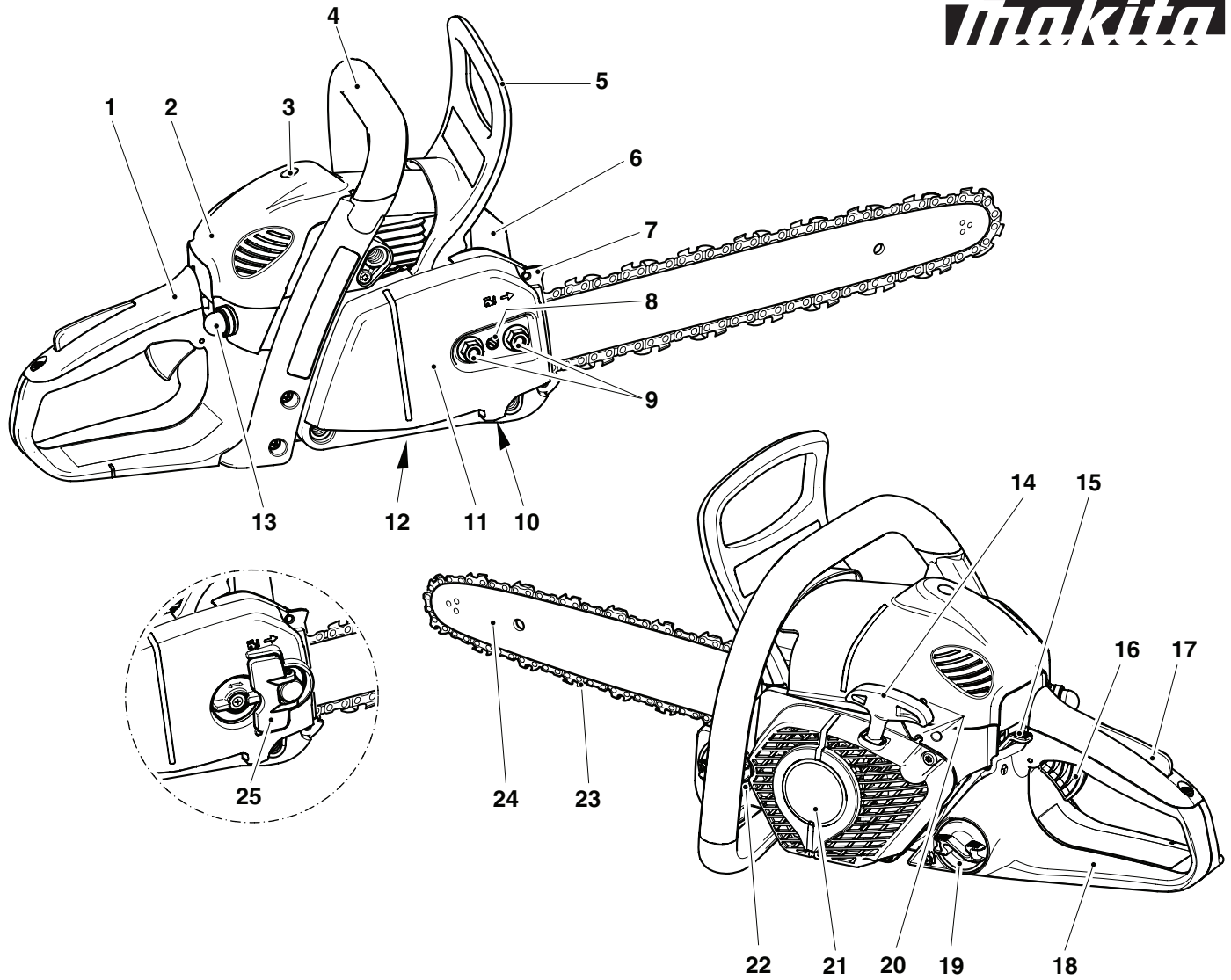
Mantenga una tensión adecuada de la cadena. Ajuste todas las tuercas, pernos y tornillos, exceptuando los tornillos de ajuste del carburador, después de cada uso.

Asegúrese de que la bujía de encendido y la conexión del cable estén siempre bien fijados y limpios.

Conserve la motosierra en un sitio elevado y bajo llave, lejos del alcance de los niños.

Debe colocarse siempre el protector de la espada de la cadena.

Denominación de los componentes



- | | |
|---|--|
| 1 Asidero | 14 Tirador de arranque |
| 2 Capota de cubrición | 15 Interruptor combinado (estárter / ON / Paro) |
| 3 Bloqueo de la capota | 16 Acelerador |
| 4 Empuñadura de puente | 17 Pulsador de bloqueo (de seguridad) |
| 5 Protector de mano
(Activar el freno de la cadena) | 18 Protección de mano trasera |
| 6 Silenciador | 19 Tapón del depósito de combustible |
| 7 Regleta dentada (tope de garras) | 20 Tornillos de ajuste del carburador |
| 8 Tornillo de ajuste para el tensor de cadenas | 21 Cártel del ventilador con dispositivo de arranque |
| 9 Tuercas de sujeción | 22 Tapón del depósito de aceite |
| 10 Palanca de retención | 23 Cadena de sierra (Herramienta de corte) |
| 11 Protector del piñón | 24 Guía de la sierra |
| 12 Tornillo de ajuste de la bomba de aceite (lado inferior) | 25 Tensor rápido de la protección de la rueda dentada
(EA3501S) |
| 13 Bomba de alimentación de combustible (Primer) | |

Datos técnicos

		EA3500S	EA3501S
Cilindrada	cu. in (cm ³)	2,1 (35)	
Diámetro del cilindro	inch (mm)	1,50 (38)	
Carrera	inch (mm)	1,20 (30,6)	
Máxima potencia, con revoluciones de	hp / rpm	2,3 / 10 000	
Máximo par, con revoluciones de	N·m / rpm	2,0 / 7 000	
N° de revoluciones sin carga / Máx. n° de revoluciones del motor en marcha con guía y cadena	rpm	2 800 / 13 100	
N° de revoluciones de embrague	rpm	4 100	
Nivel de presión sonora en el oído del operario a plena carga, según ISO 22868	dB (A)	101,7	
Carburador	Tipo	Membrana	
Instalación de encendido	Tipo	electrónica	
Bujía	Tipo	NGK CMR6A	
o bujía	Tipo	--	
Distancia entre electrodos	inch (mm)	,023 (0,6)	
Consumo de combustible, máx. potencia según ISO 7293	kg/h	0,68	
Consumo específico, máx. potencia según ISO 7293	g/kWh	500	
Capacidad del depósito de combustible	floz	13,5	
Capacidad del depósito aceite de cadena	floz	9,5	
Relación de mezcla (combustible/aceite)			
- al emplear aceites sintéticos de MAKITA		50 : 1	
- al emplear otros aceites sintéticos		50 : 1 (calidad JASO FC o ISO EGD)	
Freno de cadena		activación manual o por repulsión (kickback)	
Paso del piñón	inch	3/8	
Número de dientes	Z	6	
Pesos de motosierras (Depósito vacío, sin carril, cadena y accesorio)	lbs	9,70	9,92

(Para Canadá)

NOTA: Este sistema de encendido con bujía cumple con el estándar canadiense ICES-002.

Ensamble de la cadena de la sierra y barra de guía

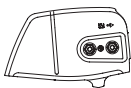
Tipo de cadena de la sierra		492 (91PX)			290 (90SG), 291 (90PX)	
Inclinación	inch	3/8"				
Calibrador	inch (mm)	0,050" (1,3)			0,043" (1,1)	
Tipo barra de guía		Barra de la boquilla de la pieza dentada				
Barra de guía, longitud de un corte	inch (mm)	12" (300)	14" (350)	16" (400)	12" (300)	14" (350)
Número de engranes		46	52	56	46	52

⚠ ADVERTENCIA: Use la combinación adecuada de barra de guía y cadena de la sierra. De lo contrario, esto puede que resulte en lesiones al usuario.

ADVERTENCIA:

Esta motosierra es capaz de causar una fuerte repulsión que podría ocasionar serias lesiones al usuario. No utilice esta motosierra si no debe efectuar trabajos de corte específicos y si no cuenta con experiencia y entrenamiento especial para manejar la repulsión adecuadamente. Usted puede adquirir motosierras con un potencial de repulsión notablemente reducido.

PUESTA EN MARCHA



Solo para modelos con tuercas de sujeción y protección de la rueda dentada (EA3500S)

PRECAUCIÓN:

¡Previamente a todos los trabajos que se realicen en la guía y en la cadena, debe desconectarse sin falta el motor, quitarse el capuchón de bujía (véase recambio de bujía) y llevarse guantes protectores!

PRECAUCIÓN:

¡La motosierra solamente se debe poner en marcha una vez finalizado el montaje y el control de la misma!



Montaje de la guía y de la cadena de sierra

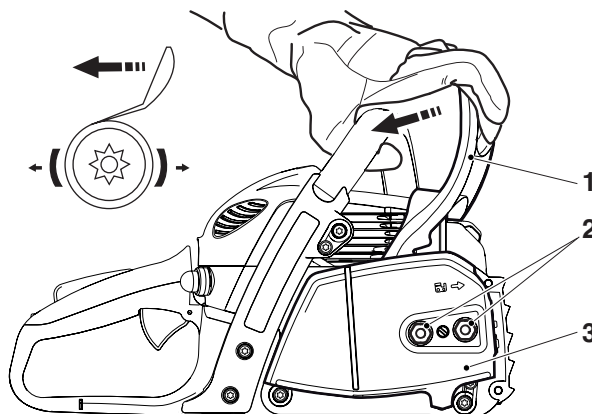
Usar la llave de bujía suministrada para los trabajos siguientes.

Poner la motosierra sobre una superficie estable y realizar los trabajos siguientes para el montaje de la cadena y del riel de sierra:

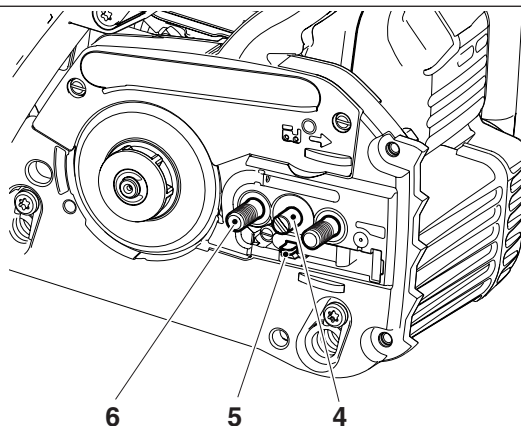
Soltar el freno de la cadena tirando de la protección de manos (1) en la dirección de la flecha.

Desenroscar las tuercas de sujeción (2).

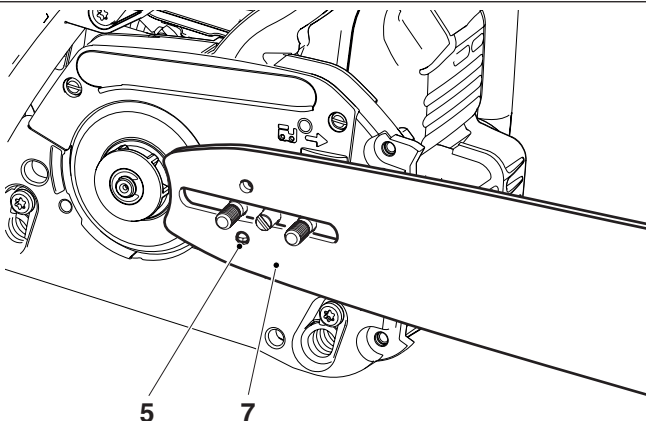
Retirar el protector del piñón (3).

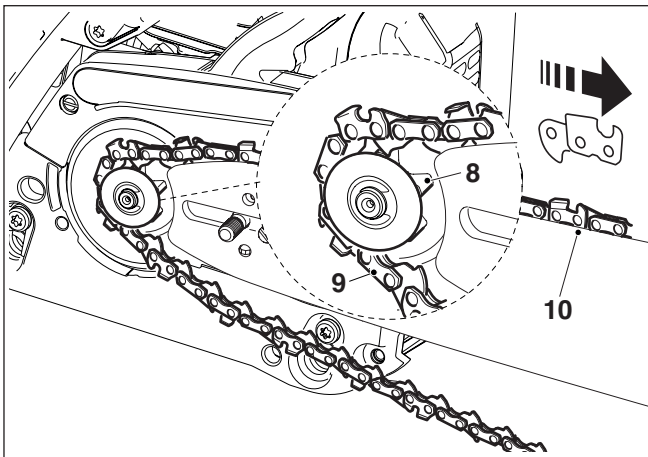


Girar el tornillo de reglaje para tensor de cadenas (4) hacia la izquierda (en sentido antihorario) hasta que se quede situado el pivote (5) del tensor de cadenas debajo del bulón (6).



Colocar el carril de Sierra (7). Prestar atención de que el pivote (5) del tensor de cadenas entre en los agujeros del carril de la sierra.



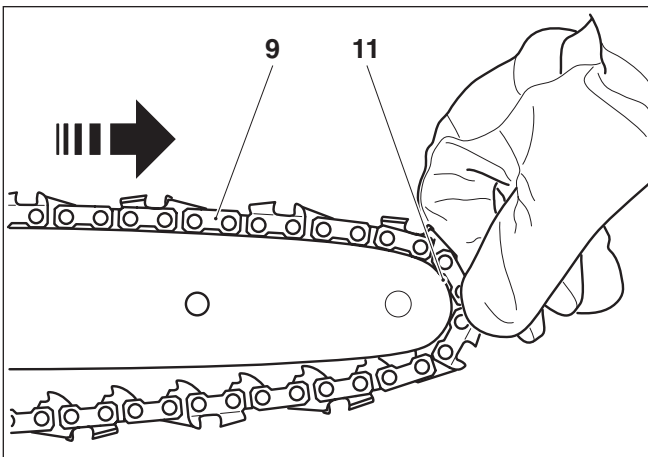


Colocar la cadena de sierra (9) sobre la rueda dentada para la cadena (8).

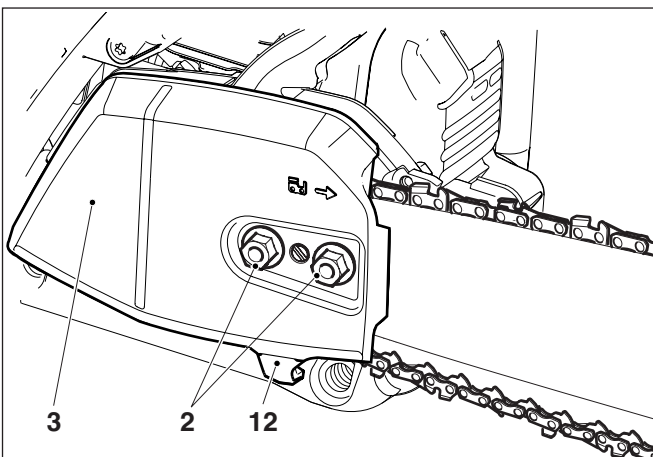
Introducir la sierra de cadena en la parte superior hasta aprox. La mitad de la ranura guía (10) del carril de Sierra.

PRECAUCIÓN:

En la parte superior de la guía, los filos de la cadena de la sierra deben estar orientados en la dirección de la flecha!



Guiar la cadena de sierra (9) alrededor de la estrella guía (11) de la guía de sierra, tirando ligeramente de la cadena de la sierra en el sentido que indica la flecha.



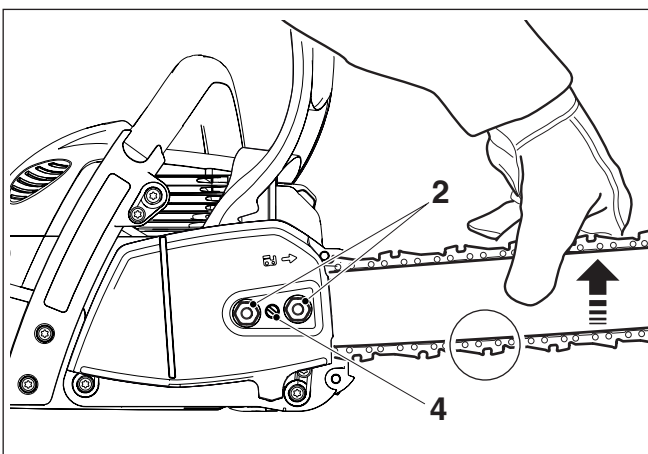
Montar la cubierta protectora del piñón (3).



ATENCIÓN:

La cadena de la sierra debe levantarse por encima del retenedor (12).

Apretar las tuercas de sujeción (2) de momento solo con la mano.



Tensar la cadena de sierra

Girar el tornillo de reglaje (4) hacia la derecha (en sentido horario), hasta que la cadena ataque en la ranura guía del lado inferior del carril (véase círculo).

Levantar ligeramente las puntas de la espada del carril de sierra y girar el tornillo de reglaje (4) hacia la derecha (en sentido horario), hasta que la sierra de cadena asiente de nuevo en el lado inferior del carril de la espada (véase círculo).

Levantar la punta de la guía y ajustar firmemente las tuercas de sujeción (2) con la llave combinada.

Controlar la tensión de la cadena

La tensión de la cadena es correcta si la cadena tiene contacto con el lado inferior de la guía de sierra y se puede moverla manualmente sin gran fuerza.

Para controlar la tensión soltar el freno de cadena.

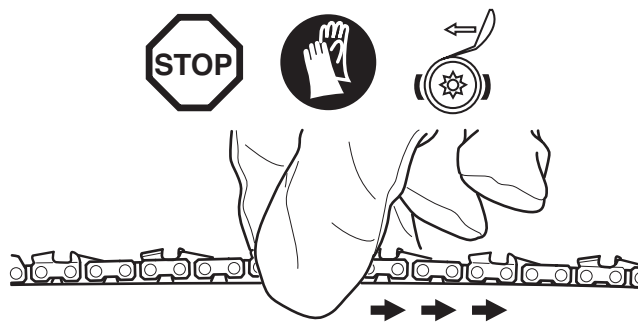
¡Controlar con frecuencia la tensión de la cadena, ya que las cadenas nuevas se alargan!

Por eso comprobar la tensión de la cadena frecuentemente con el motor desconectado.

NOTA:

Usar siempre 2-3 cadenas de sierra alternativamente.

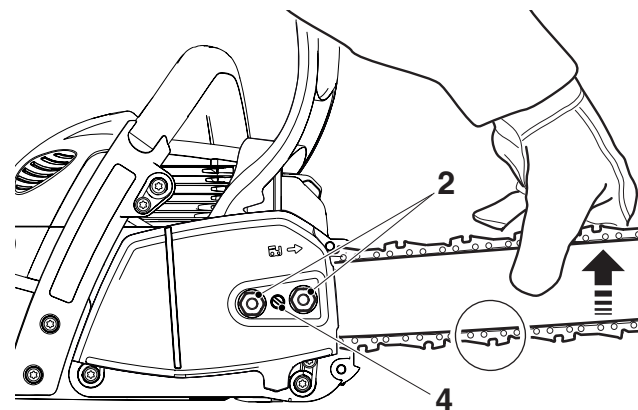
Para lograr un desgaste uniforme de la guía de sierra darla vuelta cada vez que se cambia la cadena de sierra.



Retensar la cadena de sierra

Soltar las tuercas de sujeción (2) con la llave fija una vuelta aprox. Levantar ligeramente las puntas de la espada del carril de sierra y girar el tornillo de reglaje (4) hacia la derecha (en sentido horario), hasta que la sierra de cadena asiente de nuevo en el lado inferior del carril de la espada (véase círculo).

Continuar levantando la punta del carril de espada y apretar la tuerca de sujeción (2) de nuevo con la llave fija.





Solo para guías QuickSet

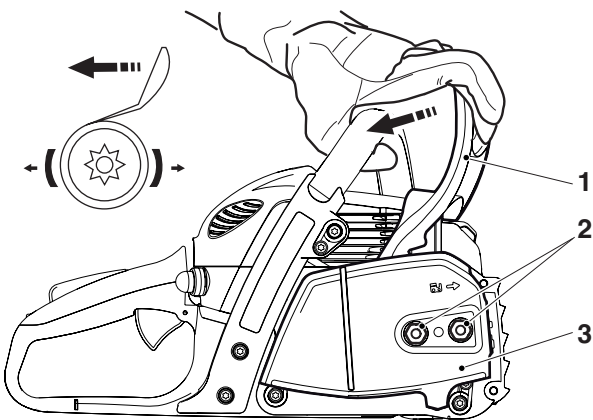
PRECAUCIÓN:

¡Previamente a todos los trabajos que se realicen en la guía y en la cadena, debe desconectarse sin falta el motor, quitarse el capuchón de bujía (véase recambio de bujía) y llevarse guantes protectores!

PRECAUCIÓN:

¡La motosierra solamente se debe poner en marcha una vez finalizado el montaje y el control de la misma!

En las guías “QuickSet” la cadena se tensa por medio de un sistema de cremallera en las propias guías. De esta forma, el reajuste de la tensión de la cadena es todavía más fácil. Esta versión ya no cuenta con el tensor de cadena convencional. Las guías QuickSet se reconocen por el siguiente símbolo:



Montaje de la guía y de la cadena de sierra

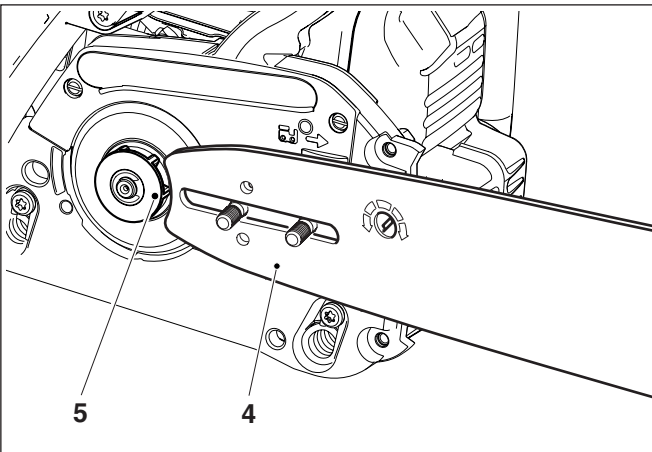
Usar la llave de bujía suministrada para los trabajos siguientes.

Poner la motosierra sobre una superficie estable y realizar los trabajos siguientes para el montaje de la cadena y del riel de sierra:

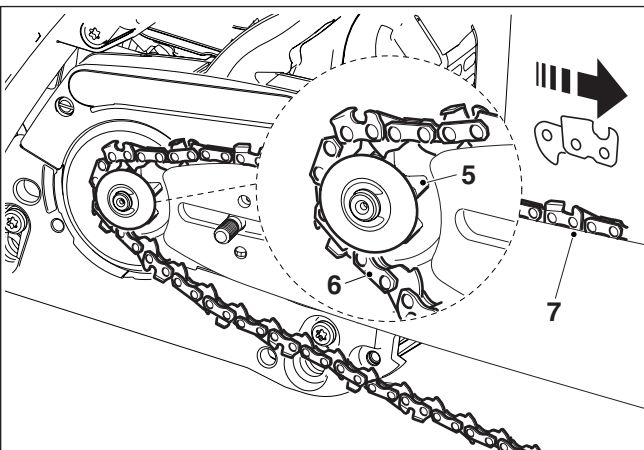
Soltar el freno de la cadena tirando de la protección de manos (1) en la dirección de la flecha.

Desenroscar las tuercas de sujeción (2).

Retirar el protector del piñón (3).



Colocar la guía de la cadena (4) y presionarla contra el piñón (5).



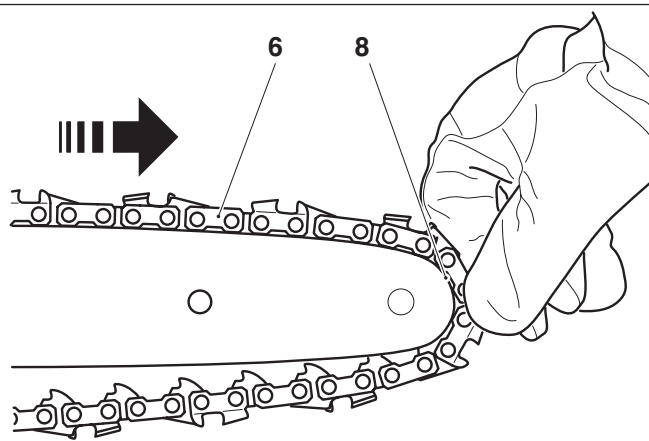
Colocar la cadena de sierra (6) sobre la rueda dentada para la cadena (5).

La mitad de la ranura guía (7) del carril de Sierra.

PRECAUCIÓN:

En la parte superior de la guía, los filos de la cadena de la sierra deben estar orientados en la dirección de la flecha!

Guiar la cadena de sierra (6) alrededor de la estrella guía (8) de la guía de sierra, tirando ligeramente de la cadena de la sierra en el sentido que indica la flecha.



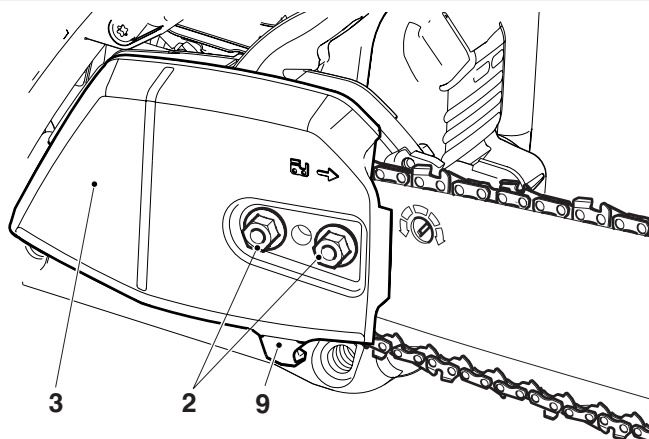
Montar la cubierta protectora del piñón (3).



ATENCIÓN:

La cadena de la sierra debe levantarse por encima del retenedor (9).

Apretar las tuercas de sujeción (2) de momento solo con la mano.



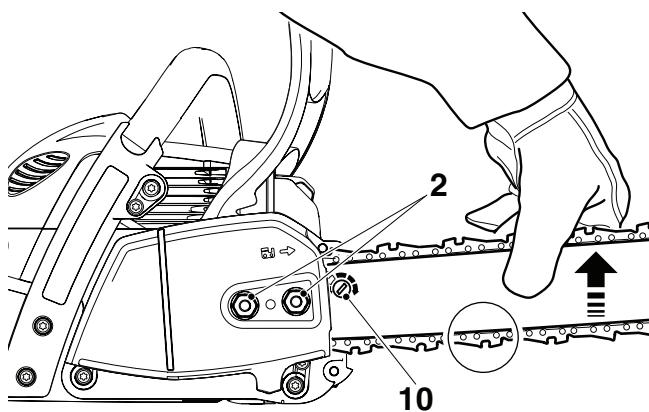
Tensar la cadena de la sierra

Girar el dispositivo tensor de la cadena "QuickSet" (10) hacia la derecha (en el sentido del reloj) con una llave combinada hasta que el brazo guía de la cadena se enganche la tuerca guía que hay en la parte inferior de la guía (si es necesario, atravesar la cadena ligeramente).

Levantar la punta de la guía ligeramente y seguir girando el dispositivo tensor de la cadena (10) hasta que ésta se encuentre en la parte inferior de la guía (véase el círculo).

Levantar la punta de la guía y ajustar firmemente las tuercas de sujeción (2) con la llave combinada.

INDICACIÓN: Si se invierte la guía de la cadena, para tensar la cadena el dispositivo tensor se deberá girar hacia la izquierda (también en sentido contrario a las agujas del reloj).



Controlar la tensión de la cadena

La tensión de la cadena es correcta si la cadena tiene contacto con el lado inferior de la guía de sierra y se puede moverla manualmente sin gran fuerza.

Para controlar la tensión soltar el freno de cadena.

¡Controlar con frecuencia la tensión de la cadena, ya que las cadenas nuevas se alargan!

Por eso comprobar la tensión de la cadena frecuentemente con el motor desconectado.

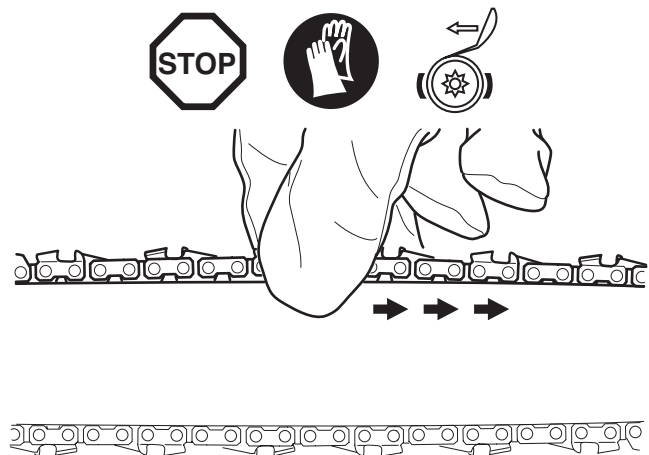
NOTA: Usar siempre 2-3 cadenas de sierra alternativamente.

Para lograr un desgaste uniforme de la guía de sierra darla vuelta cada vez que se cambia la cadena de sierra.

Retensar la cadena de la sierra

Aflojar las tuercas de sujeción (2) aproximadamente una vuelta con la llave combinada. Levantar la punta de la guía ligeramente y girar el dispositivo tensor de la cadena "QuickSet" (10) hasta que ésta se encuentre en la parte inferior de la guía (véase el círculo).

Levantar la punta de la guía y ajustar firmemente las tuercas de sujeción (2) con la llave combinada.





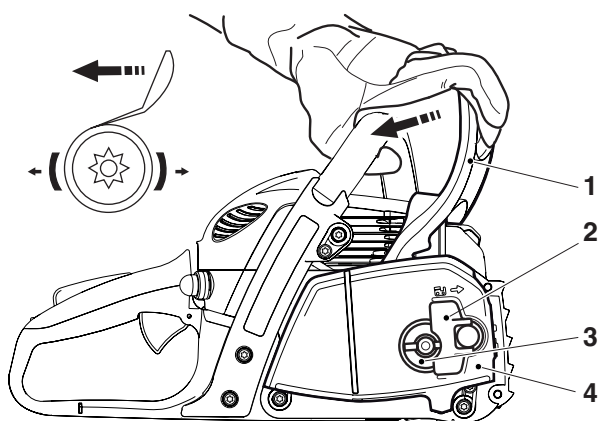
Solo para modelos con tensor rápido y protección de la rueda dentada (EA3501S)

PRECAUCIÓN:

¡Previamente a todos los trabajos que se realicen en la guía y en la cadena, debe desconectarse sin falta el motor, quitarse el capuchón de bujía (véase recambio de bujía) y llevarse guantes protectores!

PRECAUCIÓN:

¡La motosierra solamente se debe poner en marcha una vez finalizado el montaje y el control de la misma!



Montaje de la guía y de la cadena de sierra

Colocar la motosierra sobre una superficie estable y seguir los siguientes pasos para montar la cadena y la guía de la sierra:

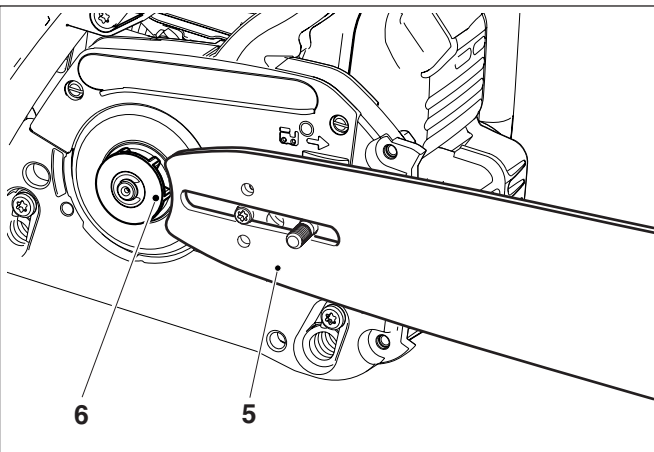
Soltar el freno de la cadena tirando de la protección de manos (1) en la dirección de la flecha.

Plegar hacia arriba el tensor rápido de la protección de la rueda dentada (2) véase también la figura "Tensar la cadena de la sierra".

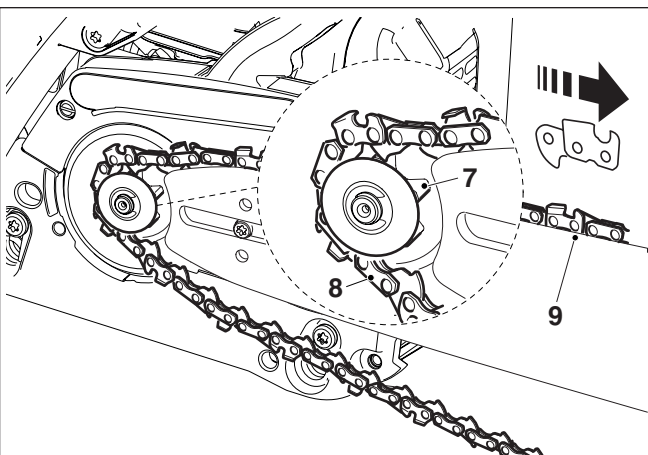
Apretar con fuerza el tensor rápido de la protección de la rueda dentada contra la tensión del muelle y girar lentamente en sentido contrario a las agujas del reloj hasta que se enganche bien. Seguir apretando y girar al máximo hacia la izquierda.

Soltar (descargar) el tensor rápido de la protección de la rueda dentada, colocarlo en la posición de salida girándolo en el **sentido de las agujas del reloj** y repetir el proceso hasta que la protección de la rueda dentada (4) esté desenroscada.

Quitar la protección de la rueda dentada (4).



Colocar la guía de la cadena (5) y presionarla contra el piñón (6).



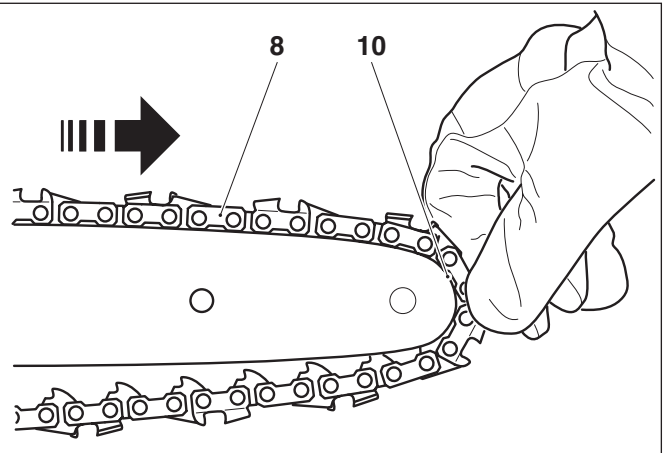
Colocar la cadena de sierra (8) sobre la rueda dentada para la cadena (7).

Introducir la sierra de cadena en la parte superior hasta aprox. La mitad de la ranura guía (9) del carril de Sierra.

PRECAUCIÓN:

En la parte superior de la guía, los fillos de la cadena de la sierra deben estar orientados en la dirección de la flecha!

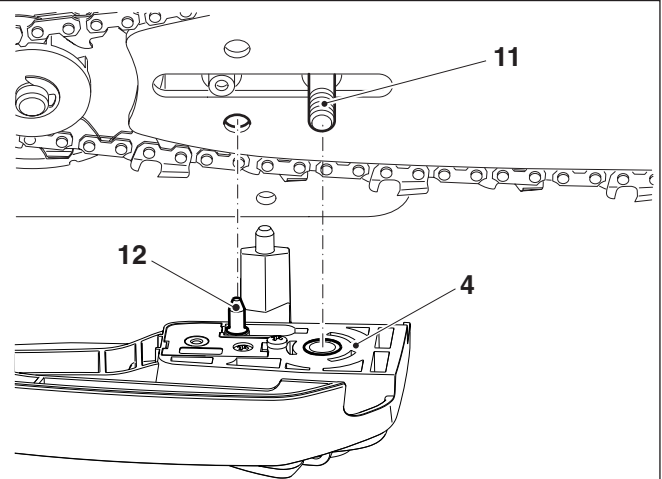
Guiar la cadena de sierra (8) alrededor de la estrella guía (10) de la guía de sierra, tirando ligeramente de la cadena de la sierra en el sentido que indica la flecha.



Ajustar en la protección de la rueda dentada (4) el taladro de alojamiento respecto del perno fijo (11).

Girando el tensor de la cadena (3, ver "Tensar la cadena de sierra") hacer coincidir el perno tensor de la cadena (12) con el taladro de la guía.

Colocar la protección de la rueda dentada (4) sobre los pernos fijos (11).

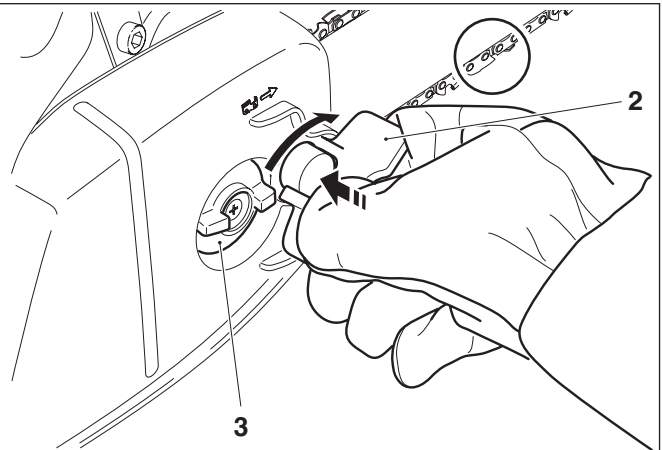


Tensar la cadena de sierra

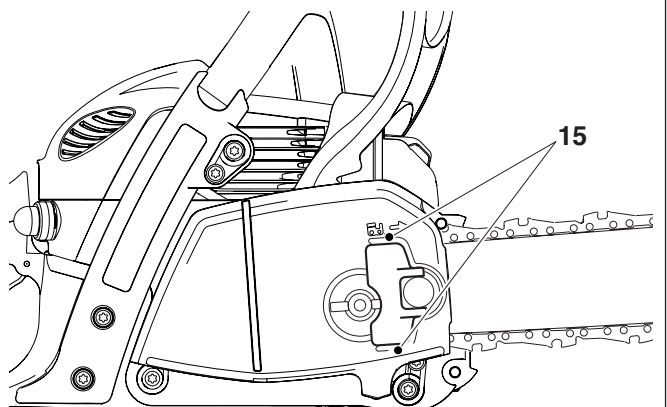
Presionando y girando al mismo tiempo, atornillar el tensor rápido de la protección de la rueda dentada (2, en el sentido de las agujas del reloj) sin apretarlo.

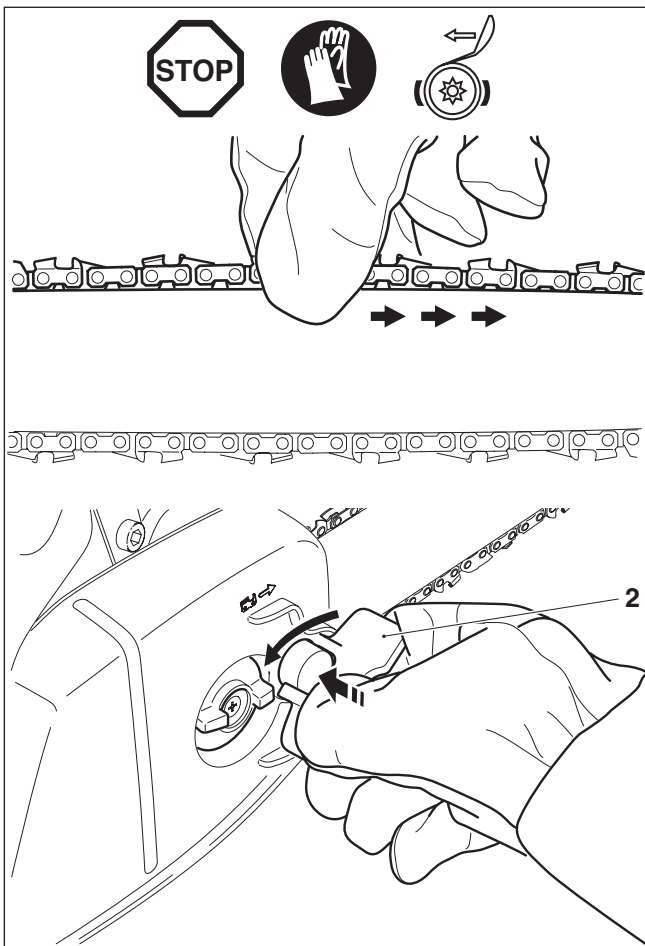
Levantar la punta de la guía ligeramente y girar el tensor de la cadena (3) hasta que la cadena se enganche en la tuerca guía del lado inferior de la guía (véase el círculo).

Volver a presionar el tensor rápido de la protección de la rueda dentada (2) y apretarlo en el sentido de las agujas del reloj.



Aflojar (descargar) el tensor rápido de la protección de la rueda dentada hasta que gire libremente y engancharlo entre los nervios de protección (15) tal como muestra la ilustración.





Controlar la tensión de la cadena

La tensión de la cadena es correcta si la cadena tiene contacto con el lado inferior de la guía de sierra y se puede moverla manualmente sin gran fuerza.

Para controlar la tensión soltar el freno de cadena.

¡Controlar con frecuencia la tensión de la cadena, ya que las cadenas nuevas se alargan!

Por eso comprobar la tensión de la cadena frecuentemente con el motor desconectado.

NOTA:

Usar siempre 2-3 cadenas de sierra alternativamente.

Para lograr un desgaste uniforme de la guía de sierra darla vuelta cada vez que se cambia la cadena de sierra.

Retensar la cadena de la sierra

Para reajustar la tensión de la cadena solo se ha de aflojar ligeramente el tensor rápido (2), véase “Montaje de la guía y de la cadena de sierra”.

Para tensar la cadena, proceder en la forma explicada anteriormente.

Para todos los modelos

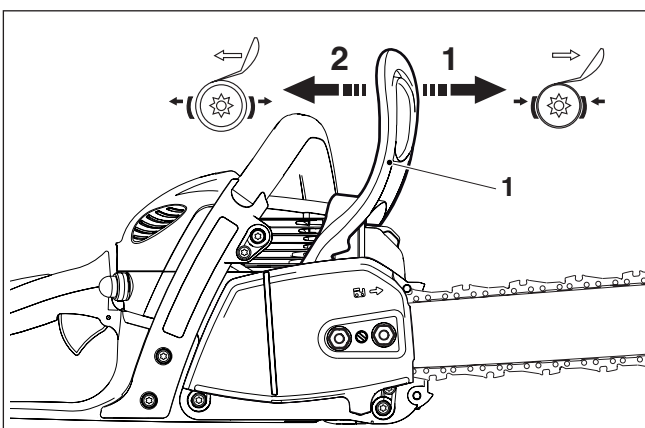
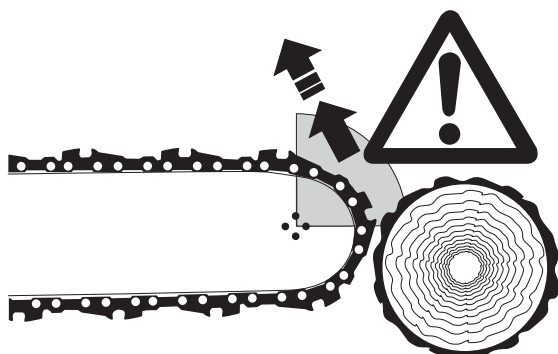
Freno de cadena

Los modelos EA3500S y EA3501S MAKITA vienen equipada en serie con un freno de cadena que se activa por aceleración. Si se produjera una repulsión (kickback) a causa del contacto de la punta de la guía con la pieza a cortar (ver capítulo: INSTRUCCIONES DE SEGURIDAD, página 89, 93), la cadena se activará por inercia de masas si la fuerza de repulsión es suficiente. En la fracción de un segundo, la cadena se detiene.

El freno de cadena sirve para bloquear la cadena de sierra en caso de emergencia y antes de arrancar la motosierra.

ATENCIÓN: ¡En ningún caso (excepto cuando se controla, ver el capítulo “Controlar el freno de cadena”) se puede arrancar la motosierra con el freno de cadena bloqueado, pues de otro modo se pueden producir graves daños en la motosierra en muy poco tiempo!

¡Antes de comenzar a trabajar es imprescindible desbloquear el freno de cadena!



Activación del freno de la cadena (bloqueado)

Si la repulsión es suficientemente fuerte, la rápida aceleración de la guía de la sierra y la inercia de masas de la protección de manos (1) activarán **automáticamente** el freno de la cadena.

Para poner en función el freno **manualmente** apretar el protector de mano (1) con la mano izquierda en la dirección de la punta del riel (flecha 1).

Soltar el freno de cadena

Tirar el protector de mano (1) en la dirección del asidero tubular (flecha 2), hasta que enclave. El freno de cadena es soltado.

Combustibles

PRECAUCIÓN: El equipo marcha con productos de petróleo (gasolina y aceite).

¡El manejo de gasolina requiere una atención especial!
Prohibido fumar o cualquier fuego abierto (peligro de explosión).

Mezcla de combustible

El motor de este aparato es un motor de dos tiempos de alto rendimiento refrigerado por aire. Es accionado con una mezcla de combustible y aceite para motores de dos tiempos.

El motor es construido por gasolina normal libre de plomo con un número de octano mínimo de 89 (R+M)/2. Si la gasolina de este tipo no está disponible, se puede emplear gasolina con un número de octano más alto. Estas gasolinas no causan daños al motor.

¡Emplear siempre gasolina libre de plomo para lograr un funcionamiento óptimo del motor y para proteger su salud y el ambiente!

Para lubricar el motor se mezcla aceite sintético de motor de dos tiempos para motores de dos tiempos refrigerados por aire (calidad JASO FC o ISO-L-EGD), añadirlo al combustible.

El motor está construido para aceite sintético para motores de dos tiempos de MAKITA con una relación de mezcla de 50:1, que es favorable al ambiente. Esta mezcla garantiza una duración larga y un funcionamiento seguro del motor con una emisión baja de humos.

Se puede comprar aceite sintético para motores de dos tiempos (50:1) de MAKITA en los tamaños de embalaje siguientes, dependiente de su consumo:

2,6 fl oz. número de pedido T-00745
6,4 fl oz. número de pedido T-00739

Si no estuviera disponible el aceite sintético para motores de dos tiempos de MAKITA, debe observarse sin falta una relación de mezcla de 50:1, ya que de lo contrario no puede garantizarse el perfecto funcionamiento.

La relación de mezcla correcta:

- 50:1** Al emplear aceite sintético para motores de dos tiempos de MAKITA, es decir mezclar 50 partes de combustible con 1 parte de aceite.
- 50:1** Al emplear otros aceites sintético para motores de dos tiempos (calidad JASO FC o ISO-L-EGD), es decir mezclar 50 partes de combustible con 1 parte de aceite.

NOTA: Para preparar la mezcla de combustible y aceite, primero mezclar todo el aceite en medio volumen de combustible, luego añadir el combustible restante. Antes de rellenar la mezcla en el depósito, agitarla a fondo.



Combustible



+

50:1

Otro aceite



1,0 Us-gal. (3,7 l)
2,5 Us-gal. (9,4 l)
5,0 Us-gal. (18,9 l)

2,6 fl oz. (75 cm³)
6,4 fl oz. (189 cm³)
12,8 fl oz. (378 cm³)

No es recomendable aumentar la parte de aceite por una exagerada consciencia de seguridad. Resulta en más residuos de combustión que son de perjuicio para el ambiente y atrancan el canal de salida de humos en el cilindro así como el silenciador. Además causa un aumento del consumo de combustible y simultáneamente una reducción de la potencia.

Almacenamiento de combustibles

Los carburantes son almacenables únicamente de forma restringida. El combustible y las mezclas de combustible envejecen debido a la evaporación, especialmente debido a la influencia de las temperaturas elevadas. La combinación de combustibles y mezclas puede provocar problemas de arranque y dañar el motor. Comprar sólo la cantidad de carburante necesario para el consumo en un periodo de varios meses. Al trabajar bajo temperaturas elevadas, consumir el combustible en 6-8 semanas.

Transportar y almacenar combustible y aceite sólo en bidones admitidos y marcados. ¡Guardar el combustible en un lugar seco, fresco y seguro!

¡EVITAR EL CONTACTO CON OJOS Y PIEL!

Productos de aceite mineral, y también aceites, desgrasan la piel. Por frecuentes contactos largos la piel se seca. Pueden resultar diversas enfermedades de la piel. Además, se conocen reacciones alérgicas.

El contacto de aceite con los ojos causa afecciones. En este caso inmediatamente enjuagar los ojos con agua limpia.

¡En caso de una afección continua, inmediatamente acudir a un médico!

Aceite para cadenas



Para lubricar la cadena y el riel de sierra usar aceite con una adición adhesiva. La adición adhesiva en el aceite evita que el aceite sea centrifugado demasiado rápido de la motosierra.

Para proteger el ambiente recomendamos usar aceite biodegradable. En algunas regiones las autoridades competentes han prescrito el uso de aceite que es biodegradable.

El aceite para cadenas BIOTOP ofrecido por MAKITA es producido de elegidos aceites vegetales; biodegradables en un 100%. BIOTOP es distinguido oficialmente con el "angel azul" (Blauer Umwelt-Engel) por ser favorable al ambiente (RAL UZ 48).

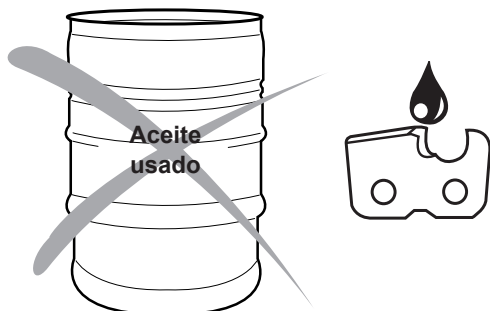


Aceite para cadenas biodegradable tiene una conservabilidad limitada y se debe consumir en un plazo de dos años desde la fecha de fabricación impresa.

Advertencia importante sobre aceites biológicos para cadenas de sierras

Antes de un cese de funcionamiento más prolongado, el tanque de aceite debe vaciarse y llenarse a continuación con un poco de aceite para motores (SAE 30). Acto seguido, se pondrá en marcha durante algún tiempo la sierra para expulsar todos los restos de aceite biológico del tanque, del sistema de conducción de aceite y del dispositivo de aserrado. Esta medida es necesaria, ya que diferentes aceites biológicos

tienden a conglutinarse, pudiendo causar con esto daños en la bomba de aceite o en piezas conductoras de aceite. Antes de una nueva puesta en marcha, volver a incorporar aceite BIOTOP para cadenas de sierras. En caso de daños causados por el uso de aceite usado o un aceite no apropiado para cadenas de sierra la garantía no es válida. Su comerciante especializado le informa sobre el uso de aceite para cadenas.



¡NUNCA USAR ACEITE USADO!

¡Aceite usado es de gran perjuicio para el ambiente!

Aceites usados contienen grandes cantidades de sustancias cancerígenas. Los residuos en el aceite usado causan un desgaste alto en la bomba de aceite y el dispositivo de sierra.

En caso de daños causados por el uso de aceite usado o un aceite no apropiado para cadenas de sierra la garantía no es válida.

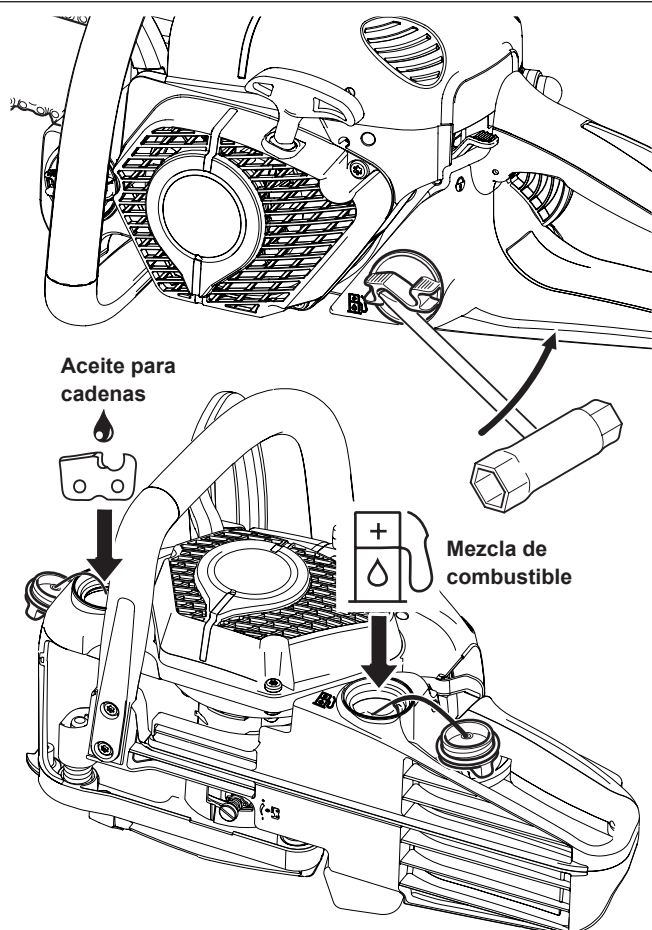
Su comerciante especializado le informa sobre el uso de aceite para cadenas.

¡EVITAR EL CONTACTO CON OJOS Y PIEL!

Productos de aceite mineral, y también aceites, desgrasan la piel. Por frecuentes contactos largos la piel se seca. Pueden resultar diversas enfermedades de la piel. Además, se conocen reacciones alérgicas.

El contacto de aceite con los ojos causa afecciones. En este caso inmediatamente enjuagar los ojos con agua limpia.

¡En caso de una afección continua, inmediatamente acuda a un médico!



Tomar combustible



¡PRESTAR ATENCION A LAS RECOMENDACIONES DE SEGURIDAD!

Combustibles requieren un manejo cuidadoso y prudente. ¡Sólo si el motor está desconectado!

Limpiar cuidadosamente las inmediaciones de los sectores de llenado para que no penetre ninguna impureza en el depósito de mezcla de combustible o de aceite.

Desenroscar la tapa del depósito (soltarla en su caso con la llave fija, véase figura) y reponer la mezcla de combustible o bien aceite para la cadena hasta la marca inferior de la boquilla de llenado. Reponer con precaución para no verter ninguna mezcla de combustible o aceite de cadena.

Enroscar la tapa del tanque **manualmente hasta el tope.**

¡Limpiar la tapa del depósito y los alrededores después de rellenarlo!

Lubricar la cadena de sierra



Para asegurar la lubricación suficiente de la cadena de la sierra, siempre debe haber bastante aceite para cadenas en el depósito. Con un caudal medio, el contenido del depósito dura una carga de combustible. Controlar durante esta tarea si hay suficiente aceite de cadena en el depósito, en su caso reponer. **¡Sólo con motor parado! Apretar a mano el tapón del depósito de combustible hasta el tope.**

Controlar el engrase de cadena

Nunca serrar sin engrase de cadena suficiente. ¡De lo contrario, se reducirá la duración del depósito de sierra!

Antes de comenzar a trabajar, comprobar el nivel de aceite en el depósito y también el caudal.

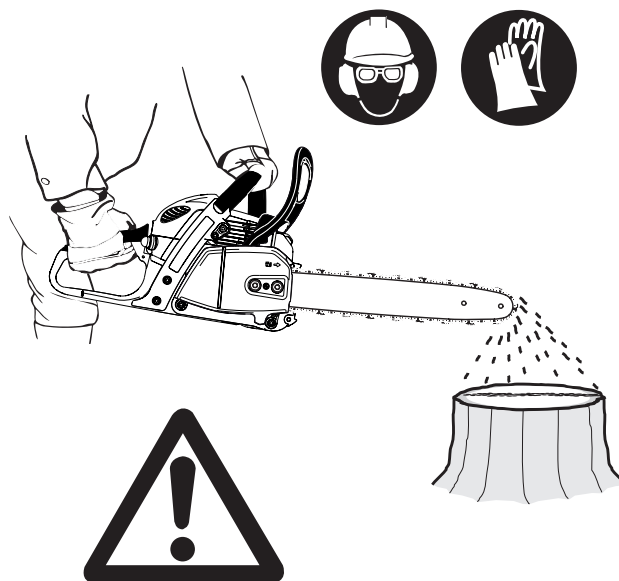
Comprobar el caudal de aceite como descrito en lo siguiente: Arrancar la motosierra. (ver capítulo "Arrancar el motor").

Sostener la motosierra aproximadamente 6" (15 cm) por encima de un tronco o el suelo (usar una base apropiada).

Si el engrase es suficiente, se puede ver una línea de aceite por debajo de la motosierra. Poner atención en la dirección del viento y no exponerse a la neblina de lubricante más de lo necesario.

Advertencia:

Una vez detenida la marcha del equipo es normal que durante algún tiempo puedan producirse pequeñas fugas del aceite de cadena que aún se encuentra en el sistema de conducción de aceite, en la guía y en la cadena. No se trata de ningún defecto. Utilice una base de recolección adecuada.



Ajustar el engrase de cadena



¡Sólo si el motor está desconectado!

La cantidad de suministro de aceite puede regularse con el tornillo de regulación (1). El tornillo de regulación se encuentra en el lado inferior del cárter.

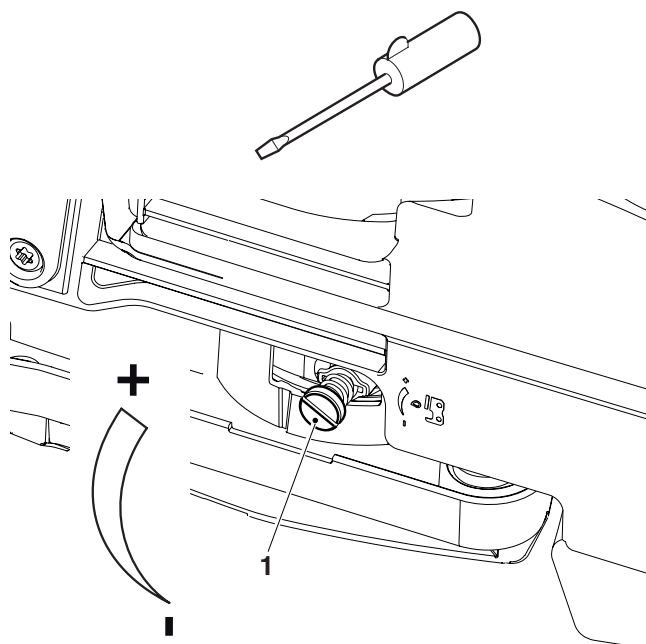
La bomba del aceite está ajustada para un caudal mínimo. Hay dos ajustes posibles para el caudal: Caudal mínimo y máximo.

Para variar la cantidad de suministro, deberá girar con un destornillador pequeño el tornillo de reglaje:

- Girando a la derecha aumenta
- Girando hacia la izquierda disminuye

Seleccionar una de las dos posiciones de ajuste dependiendo de la longitud de la espada.

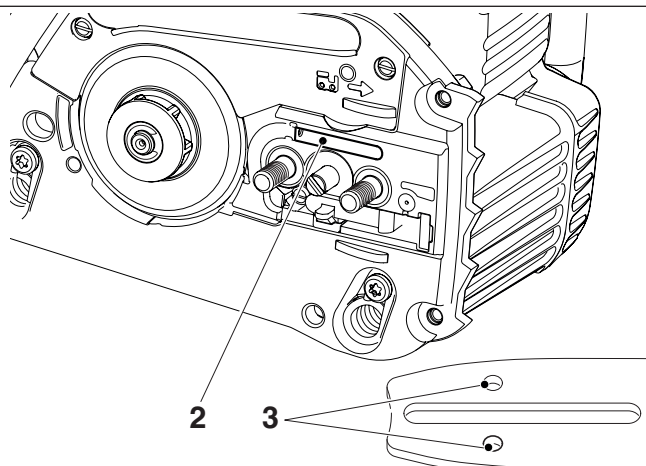
Controlar durante el trabajo si hay suficiente aceite para la cadena en el tanque, rellenar en caso necesario.

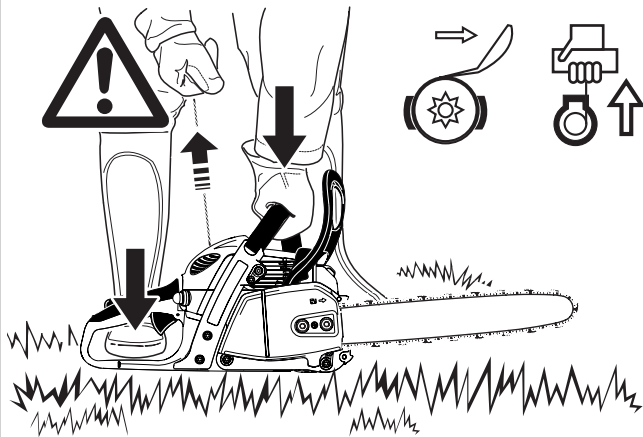


Para poder garantizar el funcionamiento correcto de la bomba de aceite es necesario limpiar con regularidad la ranura-guía de aceite en el cárter del cigüeñal (2) así como el taladro de carga de aceite en el riel de sierra (3).

Advertencia:

Una vez detenida la marcha del equipo es normal que durante algún tiempo puedan producirse pequeñas fugas del aceite de cadena que aún se encuentra en el sistema de conducción de aceite, en la guía y en la cadena. No se trata de ningún defecto. Utilice una base de recolección adecuada.





Arrancar el motor

¡La motosierra solamente se debe poner en marcha una vez finalizado el montaje y el control de la misma!

Alejarse al menos 10 pies (3 m) del lugar de carga de combustible.

Ocupar una posición estable y poner la motosierra sobre el suelo de modo que el dispositivo de sierra no lo toque.

Poner en función el freno de cadena (bloquear).

Empujar la empuñadura de puente con una mano y apretar la motosierra hacia el suelo.

Colocar la punta del pie derecho en la protección de manos trasera.

Indicación: El sistema de arranque suave con muelle permite arrancar la motosierra sin gastar energía en exceso.
¡Arrancar de forma rápida y uniforme!

Arranque en frío:

Activar la bomba de combustible (5) presionando varias veces, hasta que se vea combustible en la bomba.

Pulsar el interruptor combinado (1) hacia arriba (posición estándar). Con esta maniobra se acciona simultáneamente el bloqueo de la semiaceleración.

Tirar del tirador de arranque (2) rápida y uniformemente.

Atención: No tirar el cable por más de aproximadamente 20" (50 cm) y sólo retrocederlo manual y lentamente.

Repetir el proceso de arranque 2 veces.

Pulsar el interruptor combinado (1) a la posición central "ON".

Volver a tirar del tirador de arranque rápida y uniformemente. En cuanto el motor haya arrancado, asir la empuñadura (la tecla de bloqueo de seguridad (3) es accionada mediante la palma de la mano) y accionar levemente el acelerador (4). La detención de medio gas es liberada y el motor se encuentra en marcha en vacío.

NOTA: Poner el motor en vacío inmediatamente que marche; en otro caso daños pueden ocurrir en el freno de cadena.

Ahora soltar el freno de cadena.




Arranque en caliente:

Tal como viene descrito en el arranque en frío, pulsar el interruptor combinado (1) hacia arriba (Posición estándar) y a continuación de nuevo a la posición "ON" con el fin de activar sólo el bloqueo de la semiaceleración. Si después de tirarle 2 o 3 veces a la cuerda el motor no ha arrancado, repetir el proceso de arranque tal como viene descrito en el apartado de arranque en frío.


NOTA: Si el motor se apaga durante poco tiempo, puede arrancarse sin accionar el interruptor combinado.

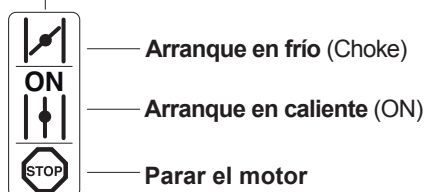
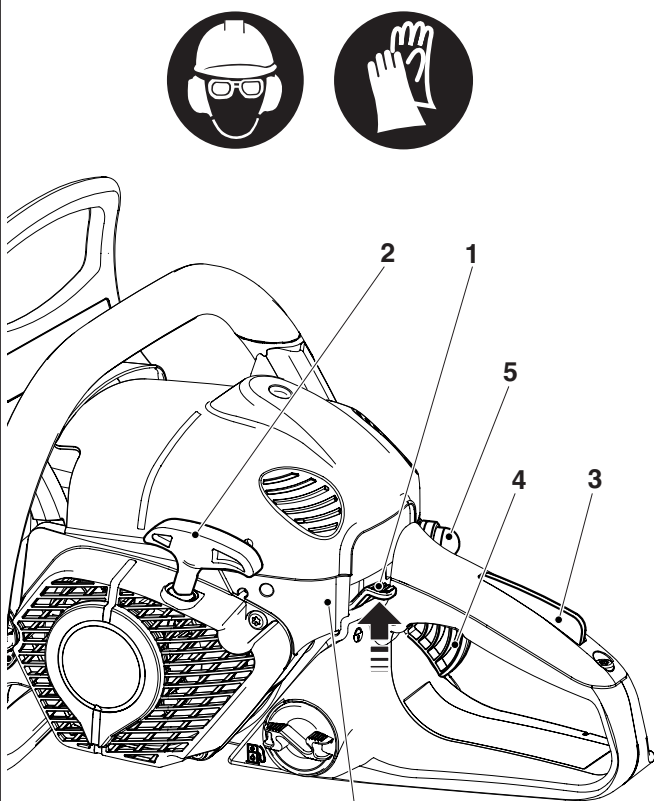
Indicación importante: En el caso de que el tanque de combustible se hubiese vaciado completamente y el motor se haya parado por falta de combustible, después de repostar, accionar la bomba de combustible (5) presionando varias veces, hasta que pueda verse el combustible en el interior de la bomba.

Parar el motor

Pulsar el interruptor combinado (1) a la posición  hacia abajo.

NOTA: Después de pulsarlo, el interruptor combinado regresa a la posición "ON". Si el motor está apagado, puede ponerse en marcha sin necesidad de volver a accionar el interruptor combinado.

ATENCIÓN: Para interrumpir la corriente de encendido, presionar el interruptor combinado completamente hacia la posición  superando la resistencia.



Interruptor combinado en la posición de seguridad

(corriente de encendido interrumpida, necesario para realizar trabajos de mantenimiento y montaje)

Controlar el freno de cadena

Antes de iniciar el trabajo debe controlarse, sin excepción, el freno de la cadena.

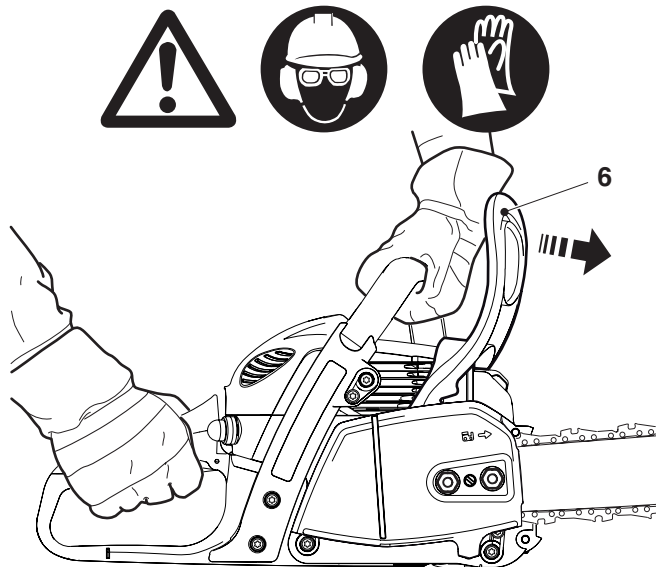
Arrancar el motor según la descripción (adoptar una posición firme y colocar la motosierra sobre el suelo, de tal modo que el dispositivo de aserrado quede libre).

Asir **firmemente** la empuñadura de puente con una mano, y con la otra mano sujetar el asidero.

Dejar marchar el motor a una velocidad media y presionar con el **dorso de la mano** la protección de manos (6) en la dirección de la flecha hasta que quede bloqueado el freno de la cadena. La cadena de la sierra debe detenerse inmediatamente.

Llevar inmediatamente el motor a la posición de marcha en vacío y volver a soltar el freno de la cadena.

Atención: Si no se para la sierra de cadena durante esta prueba de inmediato. Desconectar el motor insofacto. En tal caso no se puede cortar con la sierra. Pongase en contacto con un taller especializado de MAKITA.



Ajustar el carburador

ATENCIÓN: ¡El ajuste del carburador solo puede ser realizado por un taller oficial MAKITA!



El usuario del aparato solo puede realizar las correcciones del tornillo de ajuste (T). ¡Si la herramienta de corte gira en vacío (no se acciona la palanca de gases), deberá ajustarse inmediatamente la marcha en vacío!

¡El ajuste de la marcha en vacío no puede realizarse hasta después de montar y comprobar el aparato completamente!

Debe realizarse con el motor caliente, un filtro de aire limpio y la herramienta de corte montada correctamente.

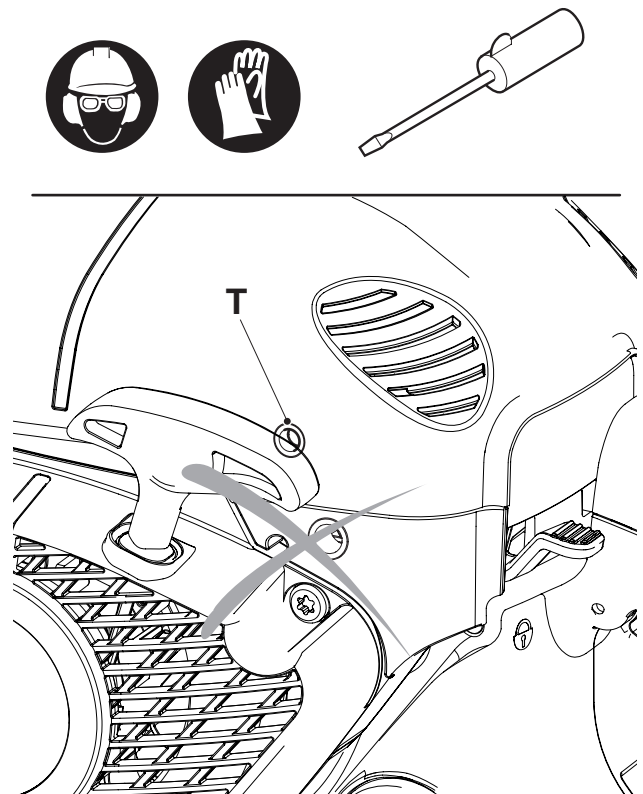
Realizar el ajuste con un destornillador (ancho de hoja 4 mm).

Ajustar la marcha en vacío

Desenroscar el tornillo de ajuste (T) en sentido contrario a las agujas del reloj: la marcha en vacío disminuye.

Enroscar el tornillo de ajuste (T) en el sentido de las agujas del reloj: la marcha en vacío aumenta.

Atención: Si la herramienta de corte no se detiene incluso después de corregir la marcha en vacío, no utilizar el aparato bajo ningún concepto. ¡Llevarlo a un taller oficial MAKITA!



MANTENIMIENTO

Afilado de la cadena de sierra

PRECAUCIÓN: ¡Previamente a todos los trabajos que se realicen en la guía y en la cadena, debe desconectarse sin falta el motor, quitarse el capuchón de bujía (véase recambio de bujía) y llevarse guantes protectores!

La cadena de la sierra debe afilarse cuando:

se produce aserrín similar a polvo de madera al serrar madera húmeda.

la cadena penetra la madera sólo con gran fuerza.

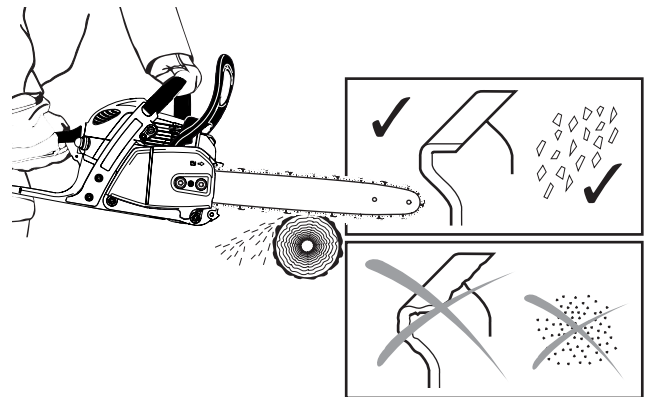
se puede ver daños en el canto cortado.

al serrar la motosierra tira hacia la izquierda o hacia la derecha. En este caso se ha reafilado la cadena de modo no uniforme.

Importante: afilar con frecuencia y remover poco material

En la mayoría de los casos basta limar 2-3 veces.

Después de haber reafilado varias veces personalmente, dejar reafilar la cadena en un taller especializado.



Criterios para el afilado:

PRECAUCIÓN: Utilice exclusivamente las cadenas y las guías admitidas para esta sierra (consultar el extracto de la lista de repuestos)

Todos los dientes de cepillo deben tener la misma longitud (a). ¡Si los dientes tienen longitudes diferentes, causan una marcha irregular y acaso una ruptura de la cadena!

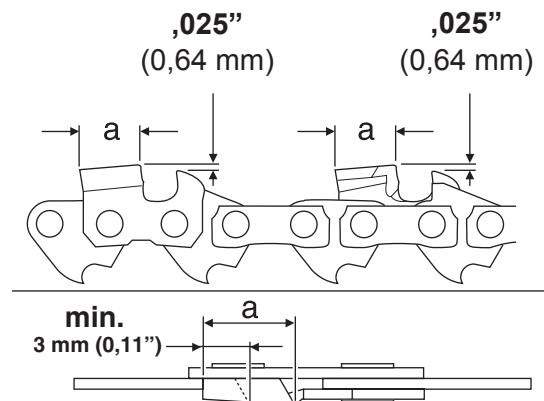
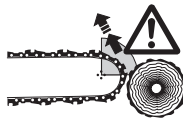
Longitud mínima de los dientes de sierra: 0,11" (3 mm).

No volver a afilar la cadena de la sierra cuando se haya alcanzado la longitud mínima de la muela de sierra. (Véase "extracto de la lista de repuestos" y el capítulo "nueva cadena de sierra").

La distancia entre el tope de profundidad y el filo determina el espesor de la viruta.

Los mejores cortes se logran con una distancia del tope de profundidad de ,025" (0,64 mm).

ATENCIÓN: ¡Una distancia demasiado grande aumenta el peligro de repulsiones!



El ángulo de afilado (α) en todos los dientes de talón ha de ser el mismo.

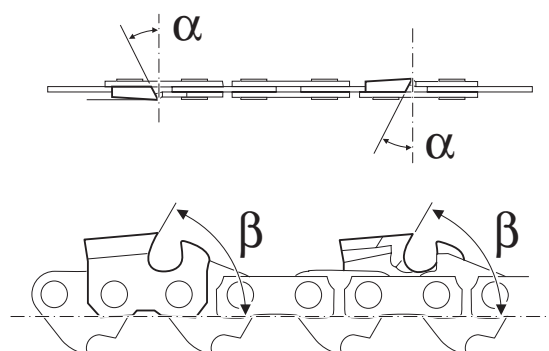
30° para el tipo de cadena 492 (91PX), 290 (90SG), 291 (90PX)

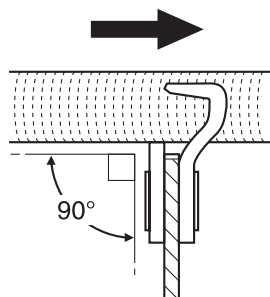
El ángulo frontal del diente de talón (β) resulta por sí sólo al usar una lima redonda.

80° para el tipo de cadena 492 (91PX)

75° para el tipo de cadena 290 (90SG), 291 (90PX)

¡Ángulos diferentes causan una marcha irregular de la cadena, aceleran el desgaste y provocan rupturas de la cadena!





Tipo cadenas
492 (91PX), 290 (90SG),
291 (90PX)

Limar y guiar la lima

Para el afilado se usa una lima redonda especial para cadenas. Limas redondas normales no son apropiadas. Ver accesorios para el número de pedido.

Tipo 492 (91PX): Lima circular para sierra de cadena \varnothing 5/32" (4,0 mm).

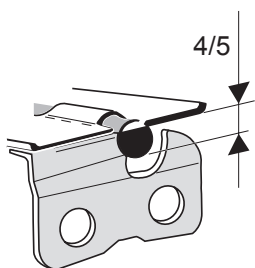
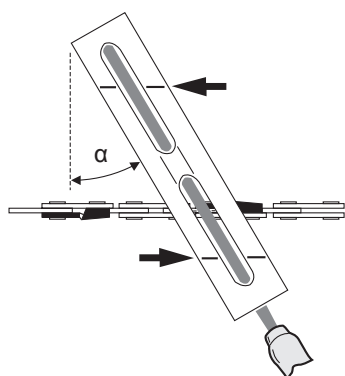
Tipo 290 (90SG), 291 (90PX): Lima circular para sierra de cadena \varnothing 11/64" (4,5 mm).

La lima debe afilar sólo al empuje hacia adelante (flecha). Al empuje hacia atrás levantarla de la madera.

Primero reafilar el diente de cepillo más pequeño. La longitud de este diente es la medida teórica para todos los otros dientes de la cadena de sierra.

La forma de dientes nuevamente colocados debe ser adaptada exactamente a la forma de los dientes usados, también en las superficies de deslizamiento.

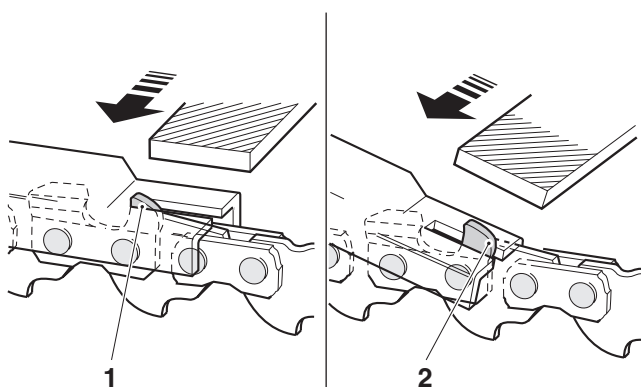
Guiar la lima según tipo de cadena (90° respecto a la espada).



El portalimas facilita la conducción de la lima; lleva marcas para el ángulo de afilado correcto de:

$$\alpha = 30^\circ$$

(orientar las marcas paralelas a la cadena de la sierra) y limita la profundidad de hundimiento (4/5 del diámetro de la lima).



Después de reafilar comprobar la altura del tope de profundidad con el calibrador de cadena.

Corregir también cobrantes mínimos con la lima plana especial (1).

Redondear el tope de profundidad (2).

Limpiar el interior de la rueda dentada

PRECAUCIÓN: ¡Previamente a todos los trabajos que se realicen en la guía y en la cadena, debe desconectarse sin falta el motor, quitarse el capuchón de bujía (véase recambio de bujía) y llevarse guantes protectores!

PRECAUCIÓN: ¡La motosierra solamente se debe poner en marcha una vez finalizado el montaje y el control de la misma!

Quitar la protección de la rueda dentada (1) (véase el capítulo "PUESTA EN MARCHA" de la versión correspondiente) y limpiar el interior con un pincel.

Quitar la cadena de la sierra (2) y la guía de la sierra (3).

NOTA:

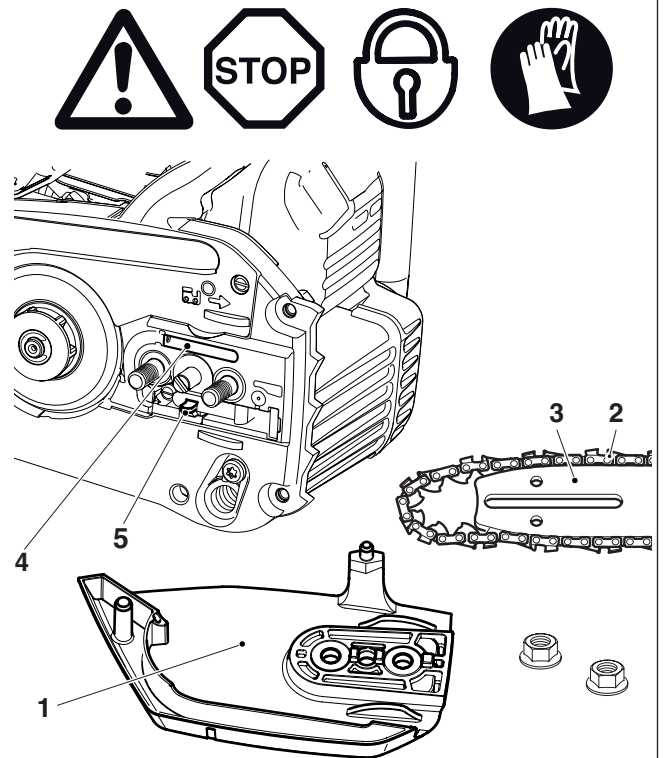
Prestar atención a que no queden restos en la ranura de guía de aceite (4) y en el tensor de cadenas (5).

Para obtener información acerca del montaje de la guía de la sierra, la cadena y la protección de la rueda dentada, véase el capítulo "PUESTA EN MARCHA" de la versión correspondiente.

NOTA:

El freno de cadena es un dispositivo de seguridad muy importante y como cada parte sometido a desgaste.

La examinación y el mantenimiento regulares sirven para su propia seguridad y deben ser efectuados por un taller especializado de MAKITA.



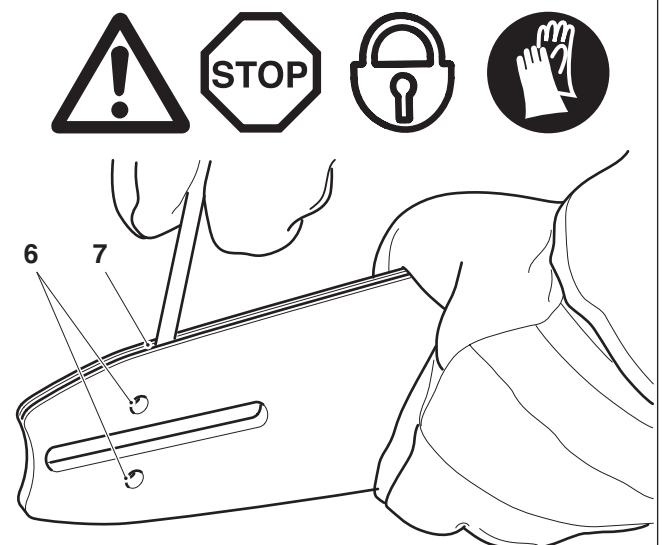
Makita® **SERVICIO**

Limpiar la guía de sierra

PRECAUCIÓN: ¡Ponerse guantes protectores!

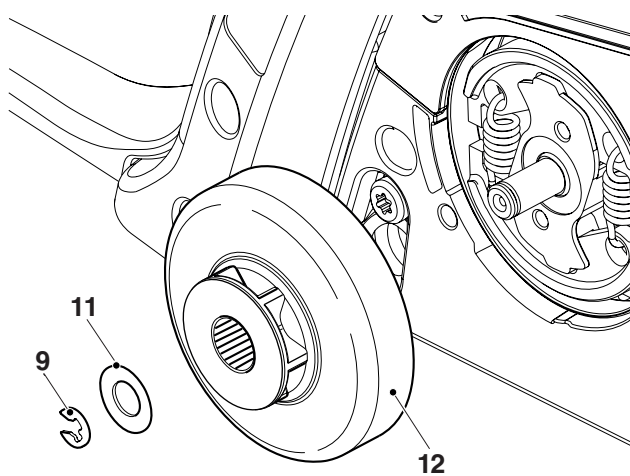
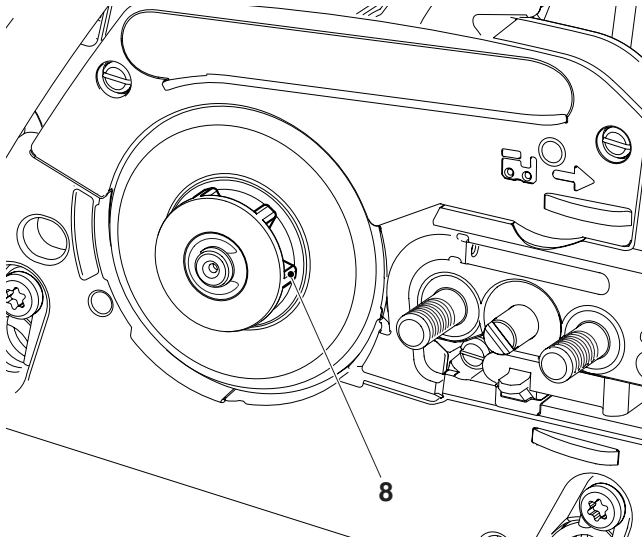
Los rieles de la guía (7) deben examinarse periódicamente por posibles fallas y deben limpiarse con una herramienta adecuada.

¡Mantener libres de suciedad los dos orificios de llenado de aceite (6) y toda la guía de la sierra!



Nueva cadena de sierra

PRECAUCIÓN: Utilice exclusivamente las cadenas y las guías admitidas para esta sierra (consultar el extracto de la lista de repuestos)!



Antes de montar una cadena de sierra nueva es necesario controlar el estado del piñón.

Piñones desgastados (8) causan daños en la cadena de sierra nueva y por eso deben ser cambiados.

Quitar la protección de la rueda dentada para cadena (Véase capítulo "PUESTA EN MARCHA")

Quitar la cadena de la sierra y la guía de la sierra.

Retirar el disco de seguridad (9).

PRECAUCIÓN: La anilla de seguridad salta de la ranura. Para que no salte, asegurar la anilla con el pulgar en el momento de quitarla.

Retirar la arandela (11).

En caso de estar gastado el piñón (8), reemplazar el conjunto del tambor de acoplamiento (12) (véase el número de pedido en "Extracto de la lista de piezas de repuesto").

Montar un nuevo conjunto del tambor de acoplamiento (12), arandela (11) y una arandela de seguridad nueva (9) (véase el número de pedido en "Extracto de la lista de piezas de repuesto").

Para el montaje de la guía, de la cadena de la sierra y de la protección de la rueda dentada para cadena, véase el capítulo "PUESTA EN MARCHA".

NOTA:

No usar cadenas nuevas con una rueda dentada retraída. Cambiar la rueda dentada como mínimo después del desgaste completo de 2 cadenas. Dejar circular algunos minutos la cadena con el acelerador a la mitad con el fin de que se distribuya el aceite para cadenas uniformemente.

¡Como nuevas cadenas de sierra suelen alargarse, hay que controlar frecuentemente la tensión de cadena (véase "Control de la tensión de cadena")!

Limpiar el filtro de aire



PRECAUCIÓN: Cuando aplicando aire comprimido para la limpieza, siempre lleve gafas protectoras para evitar lesionar los ojos!

El filtro no debe limpiarse con combustible.

Encajar la llave combinada en el tapón ranurado (*).

Girar el bloqueo de la tornillo (1) en sentido contrario a las agujas del reloj y quitar la capota de cubrición (2).

Presionar el interruptor combinado (3) hacia arriba (posición estándar), con el fin de evitar que puedan penetrar partículas de suciedad dentro del carburador.

Tirar ligeramente en la dirección de la flecha por la lengüeta (4) de la tapa del filtro del aire y sacar la tapa del filtro del aire.

Sacar el filtro del aire (5).

ATENCIÓN: Cubrir la boca de aspiración con un paño limpio para impedir la entrada de partículas de suciedad en el carburador.

Lavar filtros muy sucios en tibia lejía jabonosa con un detergente normal.

Dejar **secar** el filtro de aire **completamente**.

Si es necesario limpiar el filtro frecuentemente (varias veces cada día), porque sólo un filtro limpio asegura una potencia óptima del motor.

PRECAUCIÓN:

¡En caso de daños cambiar el filtro inmediatamente!

Las piezas de tejido arrancadas y las partículas gruesas de suciedad pueden destruir el motor.

Colocar el filtro del aire (5).

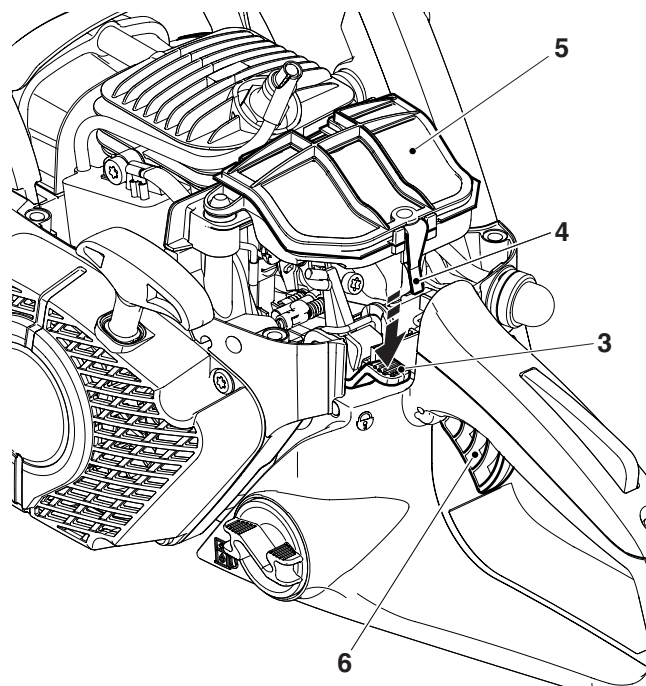
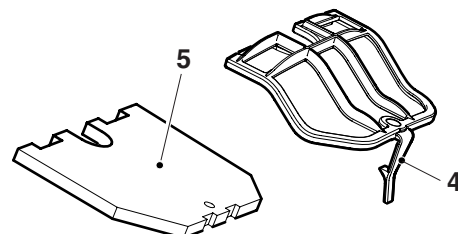
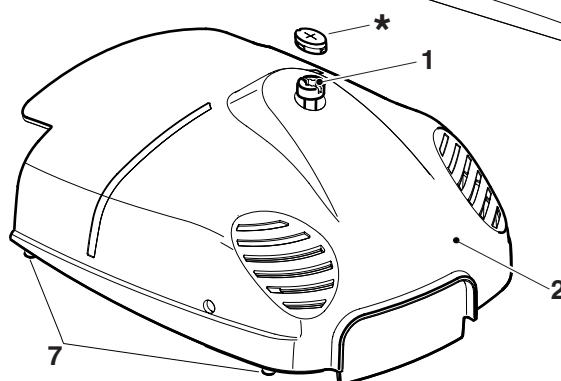
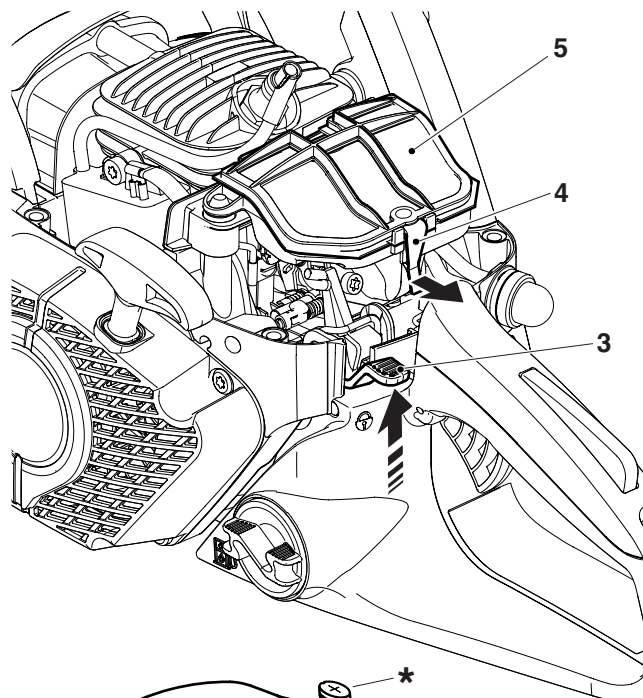
Colocar la tapa del filtro del aire.

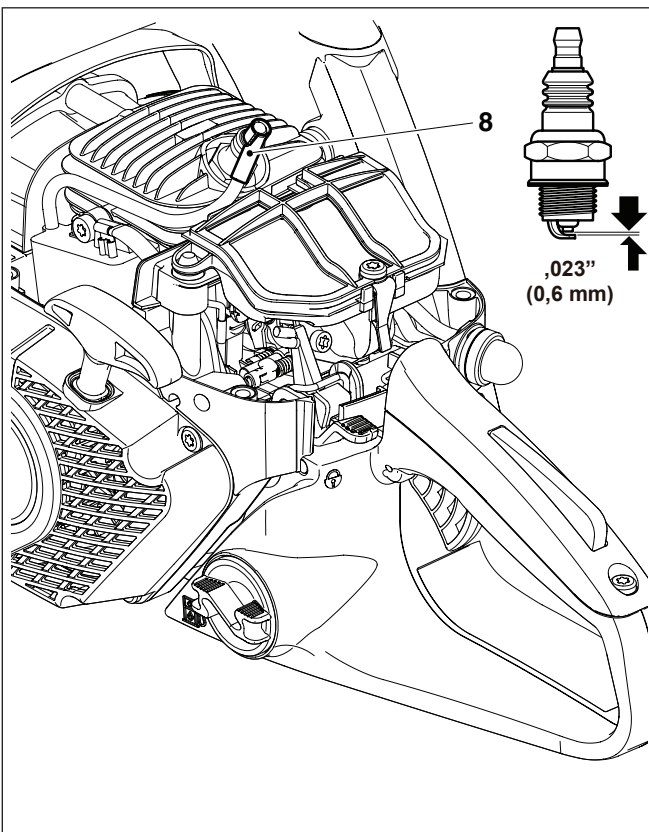
Nota: La lengüeta (4) de la tapa del filtro del aire encaja por sí misma si la tapa del filtro del aire asienta correctamente.

Presionar el interruptor combinado (3) hacia abajo y presionar una vez la palanca del gas (6) para desactivar la posición de medio gas.

Colocar la capota de cubrición (2). Al colocarla tener en cuenta que los pasadores inferiores (7) en los dos lados de la capota de cubrición agarren correctamente (los pasadores no deben quedar visibles si el montaje es el correcto).

Roscar el tornillo (1) en el sentido de las agujas del reloj.





Cambiar la bujía



ATENCIÓN:

No tocar la bujía o la tapa bujía al marchar el motor (alto voltaje).

Efectuar el mantenimiento sólo si el motor está parado. El motor caliente puede ocasionar quemaduras. ¡Usar siempre guantes de protección!

Cambiar la bujía si el cuerpo aislador está dañado, una merma grande de los electrodos ocurre o los electrodos están sucios o cubiertos de aceite.

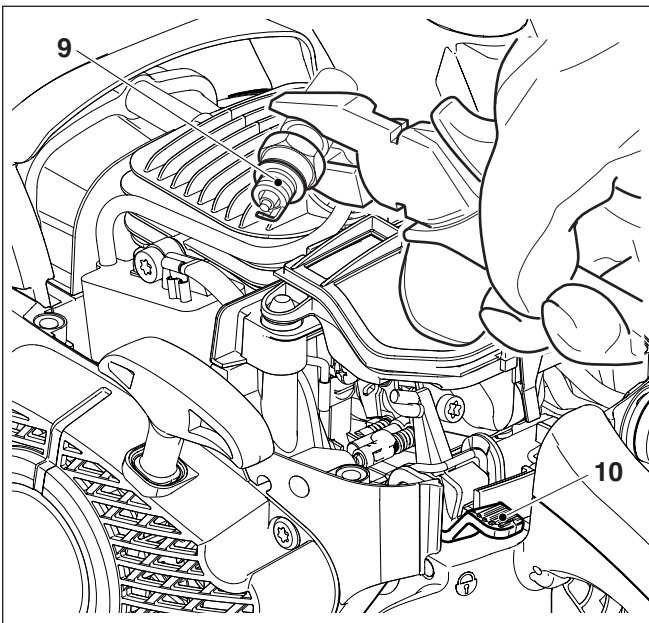
Quitar la tapa del filtro (véase «Limpiar el filtro de aire»).

Quitar el capuchón de bujía (8) de la bujía. La bujía solamente debe desmontarse mediante la llave combinada adjunta.

La distancia entre los electrodos

La distancia entre los electrodos debe ser de ,023" (0,6 mm).

PRECAUCIÓN: Usar sólo las bujías siguientes NGK CMR6A.



Controlar la chispa de encendido

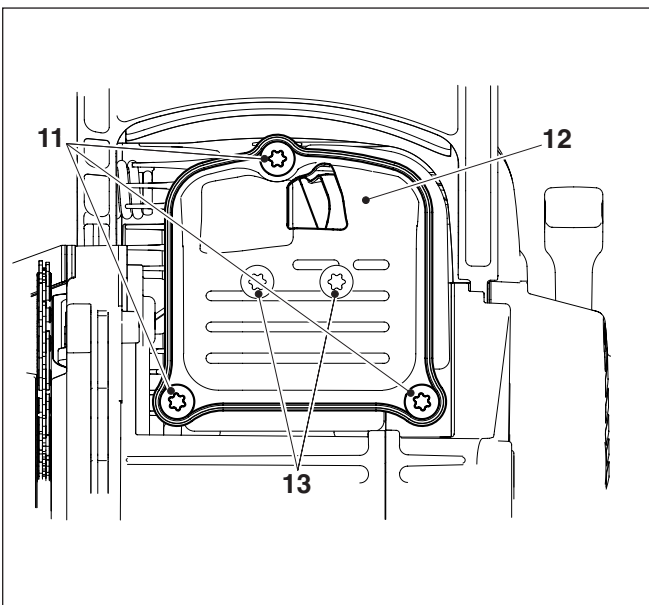


Apretar la bujía (9) desmontada con el cable de encendido firmemente conectado mediante una pinza aislada contra el cilindro (¡no cerca del taladro para la bujía!)

Pulsar el interruptor combinado (10) a la posición "ON".

Tirar con fuerza del cable de arranque.

Si el funcionamiento es correcto se debe ver una chispa cerca de los electrodos.



Controlar los tornillos del silenciador



Desenroscar los 3 tornillos (11) y quitar la cubierta superior del silenciador (12).

Indicación: En las motosierras con catalizador (EA3500S, EA3501S), quitar la cubierta superior del silenciador con catalizador.

Los tornillos de la cubierta inferior del silenciador (13) no son accesibles y solo se puede comprobar que estén bien puestos. Si estuvieran flojos, apretarlos a mano (**atención:** no pasarse de rosca).

Recambio de la cuerda de arranque / Reponer el casete con muelle recuperador / Reemplazar el muelle de arranque

Desenroscar los tres tornillos (1).
Quitar la carcasa del ventilador (2).
Retirar el deflector de aire (3) de la carcasaA del ventilador.

ATENCIÓN: ¡Peligro de lesiones! ¡Sólo debe desatornillar el tornillo (7) al estar relajado el muelle recuperador!

Si desea cambiar la cuerda de arranque aunque no esté rota, primero debe relajar el muelle recuperador del tambor de cable (13). A esto, en el tirador de arranque sacar completamente la cuerda de la carcasa del ventilador.

Sujetar el tambor de cable con una mano y apretar con la otra la cuerda en la entalladura (14).

Dejar subir cuidadosamente el tambor de cable hasta que el muelle recuperador esté completamente relajado.

Desenroscar el tornillo (7) y extraer el empujador (8) y el muelle (6).

Sacar **cuidadosamente** el tambor de cable.

Eliminar todos los restos de la cuerda.

Enhebrar la cuerda nueva (\varnothing 0,12" (3 mm), 35,4" (900 mm) de longitud) según indicado en el dibujo (no olvidar la arandela (10)) y hacer un nudo en cada extremo de la cuerda.

Enhebrar el nudo (11) en el tambor de cable (5).

Enhebrar el nudo (12) en el tirador de arranque (9).

Colocar el tambor de cable girándolo ligeramente hasta que reaccione el muelle recuperador.

Montar el muelle (6) y el empujador (8) e introducirlos juntos en el tambor de cable (5) girando ligeramente en sentido contrario a las agujas del reloj. Introducir y apretar el tornillo (7).

Pasar el cable por la entalladura (14) y dar tres vueltas de cable al tambor en el sentido de las agujas del reloj.

Sujetar el tambor de cable con la mano izquierda y eliminar las torsiones de la cuerda con la mano derecha, tensar la cuerda y sujetarla.

Soltar cuidadosamente el tambor. La fuerza del muelle enrolla la cuerda en el tambor.

Repetir el proceso otra vez. El tirador de arranque de be encontrarse erguido en la carcasa del ventilador.

NOTA: Una vez tirada la cuerda completamente hacia afuera, el tambor debe poder ser girado al menos 1/4 de vuelta en sentido contrario a la fuerza del muelle recuperador.

PRECAUCIÓN: ¡Peligro de lesiones! Una vez desenrollada la cuerda, es menester asegurar el tirador de arranque, ya que ésta se recobraría instantáneamente en caso de destrabarse involuntariamente el tambor.

Reponer el casete con muelle recuperador

Desmontar la carcasa del ventilador y el tambor de cable (véase arriba).

ATENCIÓN: ¡Riesgo de lesiones el muelle recuperador puede salir despedido. Usar necesariamente guantes y gafas de protección!

Golpear ligeramente la carcasa del ventilador con toda la superficie de apoyo del lado hueco sobre madera y mantenerla sujeta. Levantar a continuación la carcasa del ventilador **con cuidado y paso a paso**, ya que el casete del muelle recuperador desprendido (13) se puede destensar así de un modo controlado en caso de que haya saltado el muelle recuperador del casete de plástico.

Montar con cuidado el nuevo casete del muelle recuperador y presionarlo hasta que enclave.

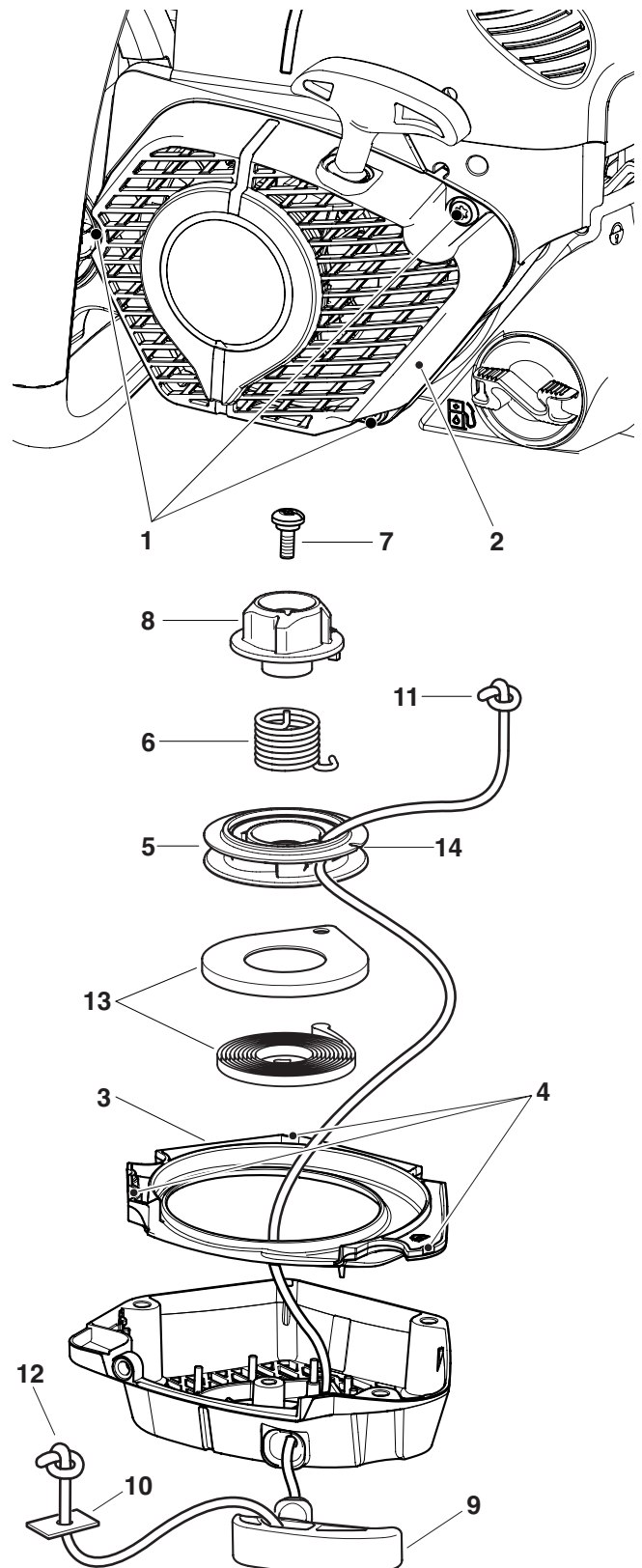
Colocar el tambor de cable girándolo lentamente hasta que el muelle recuperador se enganche.

Montar el muelle (6) y el empujador (8) y apretar con el tornillo (7).

Tensar el muelle (véase arriba).

Reemplazar el muelle de arranque

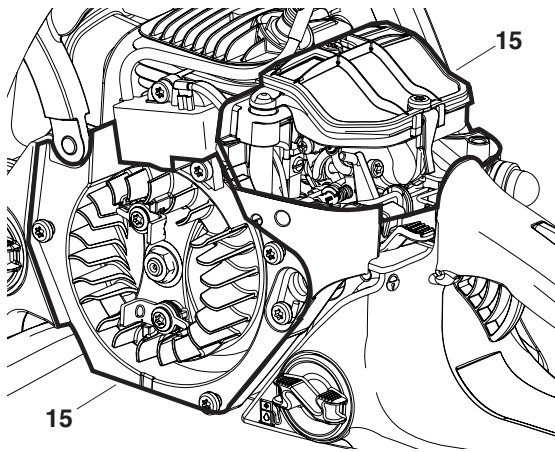
NOTA: En caso de romperse el muelle (6) del sistema de arranque suave con muelle, para arrancar el motor se necesitará más energía y se notará una mayor resistencia al tirar del tirador de arranque. En caso de notarse estos síntomas al arrancar, comprobar el muelle (6) y de ser necesario reemplazarlo.



Montaje de la carcasa del ventilador

Insertar el deflector de aire (3) en la caja del ventilador, en este proceso deberá encastrar los tres escotes (4). Alinear la carcasa del ventilador hacia la caja, presionar ligeramente y tirar del asa de arranque hasta que ataque el dispositivo de arranque.

Apretar los tornillos (1).



Limpiar el recinto del filtro de aire / ventilador



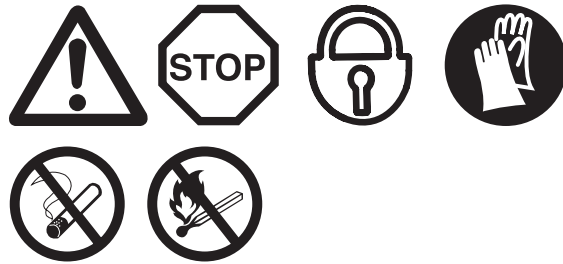
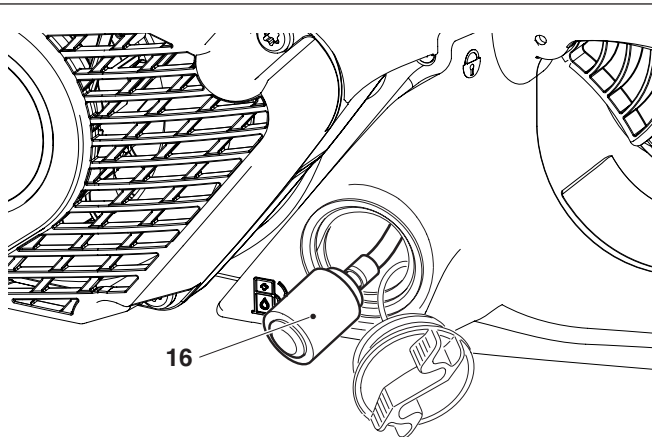
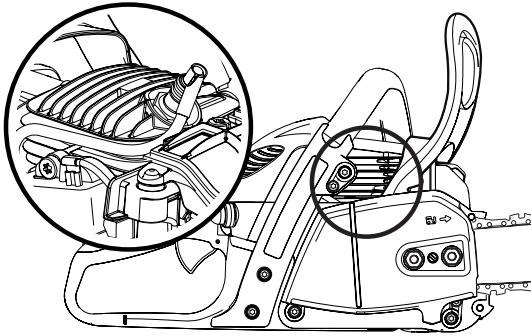
Retirar la capota de cubrición.
Retirar la caja del ventilador.

PRECAUCIÓN: Cuando aplicando aire comprimido para la limpieza, siempre lleve gafas protectoras para evitar lesionar los ojos!

El total del área descubierta (15) puede ser limpiado con una brocha y con aire comprimido.

Limpiar los nervios del cilindro

Para limpiar los nervios del cilindro puede utilizarse un cepillo para botellas.



Cambiar la cabeza de aspiración

El filtro de fieltro (16) de la cabeza de aspiración puede estar obstruido. Para poder garantizar una alimentación de combustible perfecta para el carburador se debe cambiar la cabeza de aspiración cada 3 meses.

Extraer la cabeza de aspiración al reemplazarla mediante un gancho de alambre o alicantes de punta a través del hueco de la tapa del depósito.

Recambio/limpieza de la rejilla parachispas

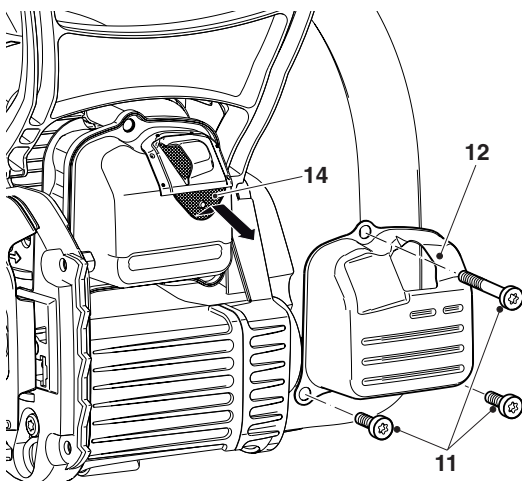


La rejilla parachispas debe revisarse y limpiarse con regularidad.

Suelte el tornillo (11) y remueva el escudo térmico (12) y la rejilla parachispas (14).

Precaución: No utilice objetos afilados o puntiagudos para limpiar la rejilla, ya que los alambres de la rejilla podrían dañarse o deformarse.

Vuelva a montar la rejilla parachispas, el escudo térmico y ajuste el tornillo.



Instrucciones para el mantenimiento regular

A efectos de lograr una prolongada vida útil, de evitar daños y de asegurar el pleno funcionamiento de los dispositivos de seguridad, los trabajos de mantenimiento descritos a continuación deberán realizarse con regularidad. Los derechos de garantía se reconocerán solamente si estos trabajos se han realizado de forma regular y reglamentaria. ¡La no observación de estas instrucciones puede originar accidentes!

El operador de la motosierra debe realizar sólo los trabajos de mantenimiento descritos en las instrucciones de manejo. Todos los demás trabajos deben ser llevados a cabo por un taller especializado de MAKITA.

			Página
En general	Motosierra completa	Limpiar el exterior y examinar por daños. Dejar efectuar reparaciones inmediatamente por un taller especializado	
	Cadena de la sierra	Afilarse con regularidad, recambiar a tiempo	115
	Freno de la cadena	Hacerla examinar con regularidad en el servicio MAKITA	
	Guía de la sierra	Invertirla, para que el desgaste de las superficies de rodadura sea uniforme. Recambiar a tiempo.	104, 106, 109
	Cuerda de arranque	Examinar por daños. Recambiar en caso de daños.	121
Antes de cada puesta en marcha	Cadena de la sierra	Examinar por posibles fallas y examinar el filo. Controlar la tensión de la cadena	115 104, 106, 109
	Guía de la sierra	Examinar por daños	
	Engrase de cadena	Prueba de funcionamiento	112
	Freno de cadena	Prueba de funcionamiento	114
	Interruptor combinado, Pulsador de bloqueo (segur.)	Prueba de funcionamiento	113
	Acelerador		
	Tapón de los depósitos de aceite y combustible	Búsqueda de grietas y fugas	
Cada día	Filtro de aire	Limpiar (en su caso varias veces al día)	119
	Guía de la sierra	Examinar por daños, limpiar el taladro de carga de aceite	117
	Soporte del riel	Limpiar, especialmente la ranura-guía de aceite	112, 117
	Núm. de revoluc., vacío	Examinar (cadena no debe girarse)	114
Cada semana	Cárter del ventilador	Limpiar, a efectos de garantizar la perfecta circulación del aire de refrigeración	100
	Recinto del filtro de aire	Limpiar, a efectos de garantizar la perfecta circulación del aire de refrigeración	122
	Recinto del ventilador	Limpiar, a efectos de garantizar la perfecta circulación del aire de refrigeración	122
	Nervios del cilindro	Limpiar, a efectos de garantizar la perfecta circulación del aire de refrigeración	122
	Bujía	Examinar y cambiar si es necesario	120
	Silenciador	Examinar si presenta obturaciones, Controlar tornillos	100, 120
	Palanca de retención	Examinar	
	Tornillos y tuercas	Comprobar el estado y el montaje firme	
	Rejilla parachispas	Limpiar	122
Cada 3 meses	Cabezal de aspiración	Cambiar	122
	Depósito de aceite/ combust.	Limpiar	
Anual	Motosierra completa	Hacer realizar una inspección por un taller especializado	
Antes de almacenar	Motosierra completa	Limpiar el exterior y examinar por daños. Dejar efectuar reparaciones inmediatamente por un taller especializado	
	Cadena/guía de sierra	Desmontar, limpiar y lubricar ligeramente Limpiar la ranura-guía de la guía de cadena	117
	Depósito de aceite /combust.	Descargar y limpiar	
	Carburador	Dejar marchar el motor hasta el agotamiento de combustible	

Servicio, piezas de repuesto y garantía

Mantenimiento y reparaciones

El mantenimiento y la reparación de las motosierras modernas así como la de los módulos relevantes para la seguridad, requiere una formación especializada y cualificada así como la de disponer de un taller dotado de herramientas especiales y aparatos de ensayo adecuados.


Todos los trabajos no indicados en el presente manual de instrucciones deberán ser realizados por un taller especializado de MAKITA.

El especialista dispone de la formación, experiencia y equipamiento necesario para facilitarle la solución más económica respectivamente así como para ayudarles en cualquier consulta y ofrecerle los consejos oportunos.

En caso de intentos de reparación por terceros o por personas no autorizadas, perderá el derecho a la garantía.

Por favor, ver por el taller más próximo en la lista de direcciones adjuntada.

Piezas de repuesto

La seguridad funcional en el servicio continuo y la seguridad de su motosierra dependen entre otras cosas de la calidad de las piezas de repuesto. Usar sólo piezas de repuesto de origen MAKITA, identificadas como sigue: 

Estas piezas son producidas especialmente para su tipo de motosierra y por eso aseguran una óptima calidad del material, de la exactitud dimensional, del funcionamiento y de la seguridad.

Piezas de repuesto de origen MAKITA se pueden comprar por vuestro comerciante especializado. Tiene las listas de piezas de repuesto con los números de pedido requeridos y es siempre al corriente sobre mejoramientos y innovaciones en la oferta de piezas de repuesto.

Prestar atención a que al utilizar piezas de repuesto no de origen MAKITA, MAKITA no puede conceder una garantía.

Garantía


MAKITA garantiza una calidad perfecta y paga para retoques, es decir para el cambio de piezas defectuosas por razón de defectos del material o de fabricación que ocurren dentro del plazo de garantía después del día de compra. Prestar atención a que en algunos países las condiciones de garantía sean diferentes. En caso de duda dirigirse a su vendedor. Es responsable para la garantía del producto.

Esperamos que Vd. tenga comprensión para que en los casos siguientes la garantía deje de aplicarse. Estos son daños por:

- No observación de las instrucciones de manejo.
- Omisión de trabajos de mantenimiento y limpieza necesarios.
- Ajuste inadecuado del carburador.
- Desgaste normal.
- Sobrecarga evidente por sobrepaso permanente de la potencia máxima.
- Uso de rieles y cadenas de sierra no admitidos.
- Uso de longitudes del riel y de la cadena no admitidas.
- Uso de fuerza, tratamiento inadecuado, uso impropio o accidente.
- Daño de sobrecalentamiento por suciedad de las aletas del cilindro y del cárter del ventilador.
- Reparaciones por personas no experimentadas o reparaciones inadecuadas.
- Uso de piezas de repuesto inadecuadas o de piezas no de origen MAKITA, si han provocado el daño.
- Uso de combustibles inadecuados o viejos.
- Daños provocados por las condiciones de aplicación del alquiler profesional.
- Por omisión del reajuste en tiempo oportuno de los tornillos externos.

Trabajos de limpieza, mantenimiento y ajuste no son incluidos en la garantía. Dejar realizar todos los trabajos que afectan la garantía por un comerciante especializado de MAKITA.

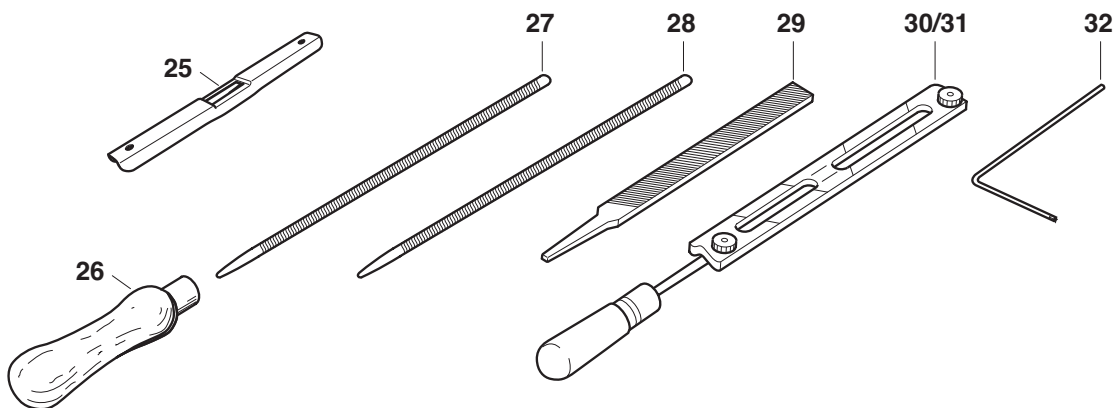
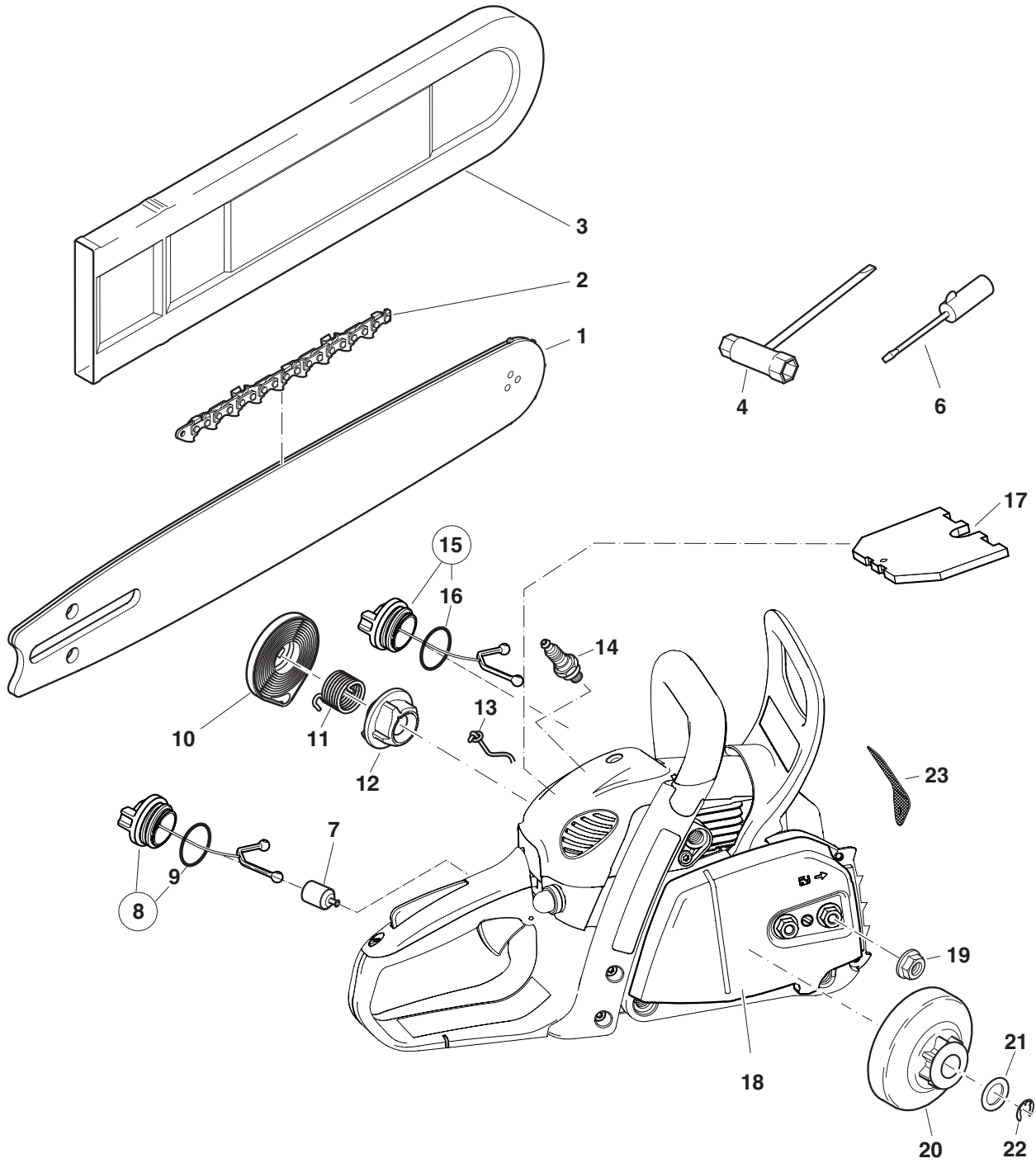
Localización de averías

Avería	Sistema	Observación	Causa
Cadena no marcha	Freno de cadena	Motor marcha	Freno de cadena puesto en función
Motor no arranca o sólo con gran dificultades	Sistema de encendido	Hay chispa de encendido No hay chispa de encendido	Defecto en alimentación de combustible, sistema de compresión, avería mecánica Interruptor de parada en pos.  , fallas o cortocircuito en los cables, Conector de bujías, bujía de encendido averiada
	Alimentación de combustible	Depósito de combustible lleno	Interruptor combinado en posición de estárter, carburador defectuoso, cabeza de aspiración sucio, tubería de combustible quebrada o interrumpida
	Sistema de compresión	En el interior	Junta al pie del cilindro defectuosa, retenes radiales del eje defectuosos, cilindro o aros de pistón defectuosos
	Avería mecánica	Al exterior Dispositivo de arranque no engrana	Bujía no cierra herméticamente Muelle en dispositivo de arranque roto, componentes rotos en el interior del motor
Arranque en caliente difícil	Carburador	Depósito cargado (comb.) Chispa de encendido	Ajuste del carburador incorrecto
Motor arranca, pero no marcha	Alimentación de combustible	Depósito de combustible cargado	Ajuste incorrecto de las r. p. m. en marcha sin carga, cabeza de aspiración o carburador sucios, ventilación del depósito defectuosa, tubería de combustible interrumpida, cable defectuoso, Interruptor combinado defectuoso.
Potencia insuficiente	Posiblemente varias sistemas al mismo tiempo	Motor marcha en vacío	Filtro de aire sucio, ajuste del carburador incorrecto, silenciador obstruido, canal de salida de humos en el cilindro atrancado, la rejilla parachispas obturado.
No engrase de cadena	Depósito de aceite Bomba de aceite	No hay aceite en la cadena de sierra	Depósito de aceite vacío Ranura-guía de aceite sucia El tornillo de ajuste de la bomba de aceite está desajustado.

Extracto de la lista de piezas de repuesto

Usar sólo piezas de repuesto de origen MAKITA. Dejar realizar reparaciones y remplazos de otras piezas por un taller especializado de MAKITA.

EA3500S
EA3501S





Extracto de la lista de piezas de repuesto

Usar sólo piezas de repuesto de origen MAKITA. Dejar realizar reparaciones y remplazos de otras piezas por un taller especializado de MAKITA.

EA3500S
EA3501S



Pos.	Denominación	Accesorios (no suministrados con la motosierra)
1	Guía de la sierra 3/8", 30 cm, 1,3 mm (12") Guía de la sierra 3/8", 35 cm, 1,3 mm (14") Guía de la sierra 3/8", 40 cm, 1,3 mm (16")	25 Calibrador cadena 26 Asidero de lima 27 Lima redonda ø 4,5 mm 28 Lima redonda ø 4,0 mm 29 Lima plana 30 Portalimas (con lima redonda ø 4,5 mm) 31 Portalimas (con lima redonda ø 4,0 mm) 32 Destornillador acodado
2	Cadena de la sierra 3/8" para 30 cm, 1,3 mm Cadena de la sierra 3/8" para 35 cm, 1,3 mm Cadena de la sierra 3/8" para 40 cm, 1,3 mm	- Depósito combinado (para 5l combust., 3l aceite para cadenas)
1	Guía de la sierra 3/8", 30 cm, 1,1 mm (12") Guía de la sierra 3/8", 35 cm, 1,1 mm (14")	
2	Cadena de la sierra 3/8" para 30 cm, 1,1 mm Cadena de la sierra 3/8" para 35 cm, 1,1 mm	
1	Guía de la sierra 3/8", 30 cm, 1,3 mm (12") Guía de la sierra 3/8", 35 cm, 1,3 mm (14") Guía de la sierra 3/8", 40 cm, 1,3 mm (16")	
2	Cadena de la sierra 3/8" para 30 cm, 1,3 mm Cadena de la sierra 3/8" para 35 cm, 1,3 mm Cadena de la sierra 3/8" para 40 cm, 1,3 mm	
1	Guía de la sierra 3/8", 30 cm, 1,1 mm (12") Guía de la sierra 3/8", 35 cm, 1,1 mm (14")	
2	Cadena de la sierra 3/8" para 30 cm, 1,1 mm Cadena de la sierra 3/8" para 35 cm, 1,1 mm	
3	Protección de espada para 30-35 cm (3/8") Protección de espada para 40 cm (3/8")	
4	Llave combinada SW 16/13	
6	Atornillador del carburador	
7	Cabezal de aspiración	
8	Cierre del depósito de combustible completo.	
9	Anillo toroidal 29,3 x 3,6 mm	
10	Casete con muelle de retroceso cpl.	
11	Muelle	
12	Empujador	
13	Cuerda de arranque 3 x 900 mm	
14	Bujía	
15	Tapón, depósito de aceite, cpl.	
16	Anillo toroidal 29,3 x 3,6 mm	
17	Filtro de aire	
18	Protector del piñon, cpl. Protección de rueda dentada (con tensor rápido) cpl.	
19	Tuercas hexagonal M8	
20	Tambor de acoplamiento cpl. 3/8", 6-dientes	
21	Arandela separadora	
22	Disco de seguridad (Circlip)	
23	Rejilla parachispas	

<USA only>

WARNING

The engine exhaust from this product contains chemicals known to the State of California to cause cancer, birth defects or other reproductive harm.

<USA solamente>

ADVERTENCIA

Los gases de escape del motor de este producto contienen sustancias químicas conocidas en el Estado de California como causantes de cáncer, defectos genéticos y otros problemas relacionados con la reproducción.

Makita Corporation

3-11-8, Sumiyoshi-cho,
Anjo, Aichi 446-8502 Japan