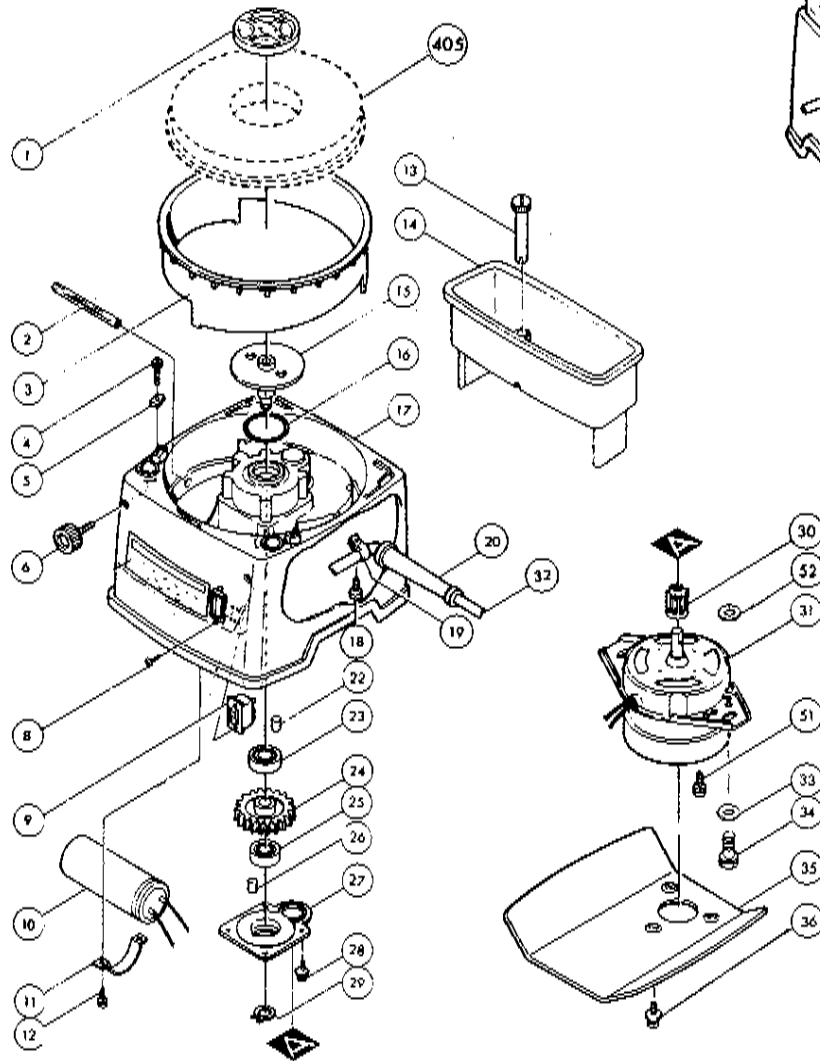
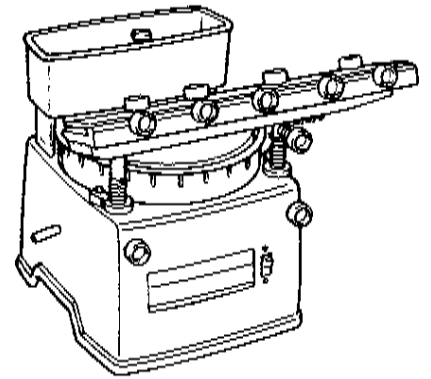


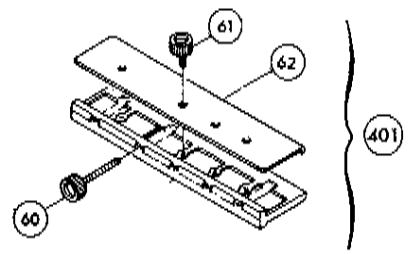
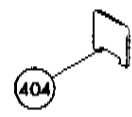
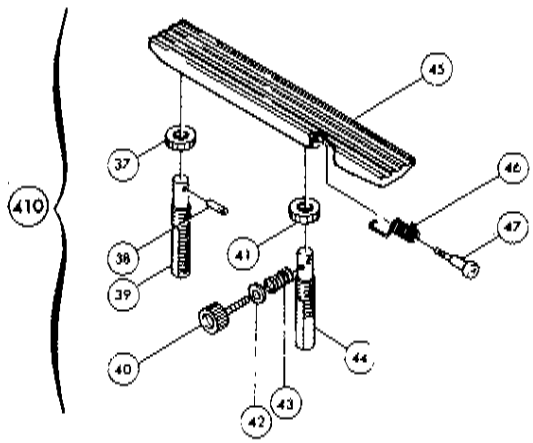


7-7/8" BLADE SHARPENER

Model 9820-2



Capacitor markings
 10 uF
 @ 230volts ac
 per Suzuki Electric



IMPORTANT — To assure product **SAFETY** and **RELIABILITY**, repairs, maintenance or adjustments should be performed by **MAKITA** Service Centers or other qualified service organizations. Always use **MAKITA** replacement parts.

Fig.	Part No.	Qty. Used	Description	Fig.	Part No.	Qty. Used	Description
1	271235-2	1	LOCK NUT	33	941251-5	2	WASHER 10
2	412033-7	1	TUBE	34	921551-9	2	H.BOLT M10X30
3	411429-9	1	WHEEL COVER	35	**	1	UNDER COVER
4	911231-5	2	SCREW M5X20	36	**	0	SCREW
5	341392-1	2	SET PLATE	37	252619-3	1	NUT M16
6	251847-7	2	KNOB M6X31	38	258712-5	1	PIN 6
8	912002-3	2	C.H.SCREW M3X6	39	325540-0	1	SUB POLE
9	651502-5	1	SWITCH	40	251817-6	1	KNOB M6X41
10	645314-6	1	CAPACITOR	41	252619-3	1	NUT M16
11	687629-5	1	CAPACITOR CLAMP	42	941151-9	2	F.WASHER 6
12	911231-5	2	SCREW M5X20	43	231255-2	1	COMPRESSION SPRING 7
13	271405-3	1	ADJUSTING KNOB	44	325539-5	1	MAIN POLE
14	411431-2	1	WATER RESERVOIR	45	311419-1	1	RAIL
15	314087-9	1	SPINDLE	46	231529-7	1	TORSION SPRING 8
16	213504-5	1	O RING 40	47	251271-4	1	SCREW M6
17	*	1	FRAME	51	682014-1	2	PAN HEAD SCREW M4X8
18	911116-5	1	SCREW M4X12	52	*	2	WASHER 10
19	687608-3	1	STRAIN RELIEF	60	251860-5	5	KNOB M6X71
20	682502-4	1	CORD GUARD	61	251814-2	4	KNOB M6X18
22	263002-9	1	RUBBER PIN 4	62	341413-9	1	BLADE SET PLATE 400
23	211206-7	1	BALL BEARING 6202LLB				
24	221643-7	1	GEAR				
25	211106-1	1	BALL BEARING 6201LLB				
26	263002-9	1	RUBBER PIN 4				
27	411430-4	1	GEAR COVER				
28	911249-6	4	SCREW M5X28				
29	981052-5	1	RETAINING RING S12				
30	221642-9	1	GEAR				
31	**	1	MOTOR				
32	664630-7	1	CORD WITH PLUG (3X18X8;S;J)				

<u>ACCESSORIES</u>							
401	123061-4A	1	BLADEHOLDER ASSEMBLY (Assembled with Fig.60-62)				
404	341391-3	1	WRENCH				
405	741070-7	1	GRINDING WHEEL #1000 (Medium)				
410	122209-5	1	RAIL ASSEMBLY (Assembled with Fig.37-47)				

*SEE SERVICE CHANGE 1
**SEE SERVICE CHANGE 2

SERVICE CHANGE

- 1) Change on Frame.

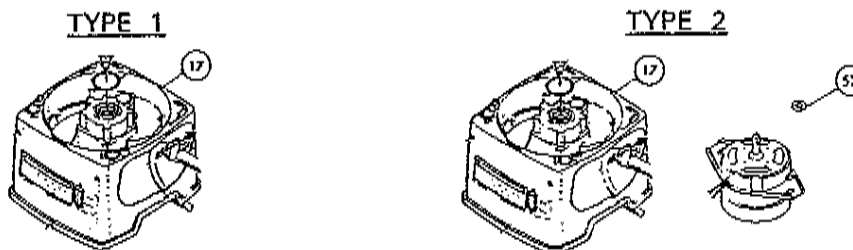


FIG.	DESCRIPTION	TYPE 1	TYPE 2
17	Frame	PART# 155220-2 (Discontinued)	PART# 151274-7
52	Washer 10	—	PART# 267040-3 (2 ea.) (See Service Change 2)

The above parts are interchangeable as a set.

2) Change on Motor from S/N 30,058E.

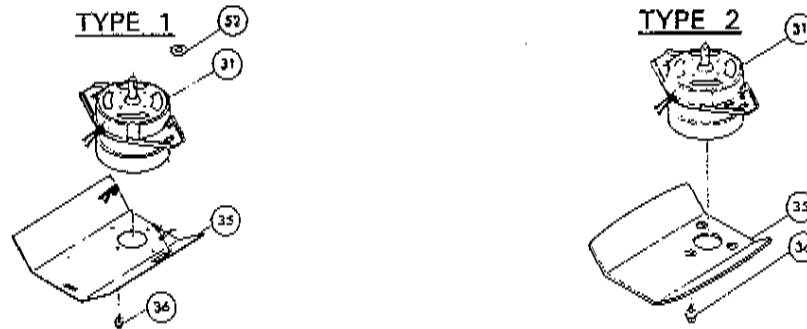


FIG.	DESCRIPTION	TYPE 1	TYPE 2
31	Motor	PART# 629510-4 (Discontinued)	PART# 629644-3
35	Under Cover	PART# 342516-2 (Discontinued)	PART# 344030-4
36	Screw	PART# 911104-2 M4x6 (Use 4 ea.)	PART# 911108-4 M4x8 (Use 3 ea.)
52	Washer	PART# 267040-3 (Discontinued)	-----

The above parts are interchangeable as a set.