

INSTRUCTION MANUAL
MANUEL D'INSTRUCTION
MANUAL DE INSTRUCCIONES

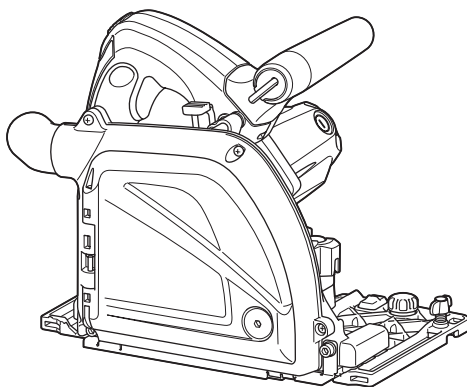


Aluminum Groove Cutter

Fraiseuse Alu

Ranuradora de Aluminio

CA5000



DOUBLE INSULATION
DOUBLE ISOLATION
DOBLE AISLAMIENTO

IMPORTANT: Read Before Using.
IMPORTANT : Lire avant usage.
IMPORTANTE: Lea antes de usar.

SPECIFICATIONS

Model:	CA5000
Groove cutter blade diameter	118.0 mm (4-5/8")
Circular saw blade diameter	165.0 mm (6-1/2")
Max. cutting depth (with groove cutter blade)	11.0 mm (7/16")
Max. cutting depth (with circular saw blade)	36.0 mm (1-7/16")
No load speed (RPM)	2,200 - 6,400 /min
Overall length	346 mm (13-5/8")
Net weight	5.1 kg (11.3 lbs)

- Due to our continuing program of research and development, the specifications herein are subject to change without notice.
- Specifications may differ from country to country.
- Weight according to EPTA-Procedure 01/2003

General power tool safety warnings

⚠ WARNING: Read all safety warnings and all instructions. Failure to follow the warnings and instructions may result in electric shock, fire and/or serious injury.

Save all warnings and instructions for future reference.

The term "power tool" in the warnings refers to your mains-operated (corded) power tool or battery-operated (cordless) power tool.

Work area safety

1. **Keep work area clean and well lit.** Cluttered or dark areas invite accidents.
2. **Do not operate power tools in explosive atmospheres, such as in the presence of flammable liquids, gases or dust.** Power tools create sparks which may ignite the dust or fumes.
3. **Keep children and bystanders away while operating a power tool.** Distractions can cause you to lose control.

Electrical Safety

1. **Power tool plugs must match the outlet. Never modify the plug in any way. Do not use any adapter plugs with earthed (grounded) power tools.** Unmodified plugs and matching outlets will reduce risk of electric shock.
2. **Avoid body contact with earthed or grounded surfaces such as pipes, radiators, ranges and refrigerators.** There is an increased risk of electric shock if your body is earthed or grounded.
3. **Do not expose power tools to rain or wet conditions.** Water entering a power tool will increase the risk of electric shock.
4. **Do not abuse the cord. Never use the cord for carrying, pulling or unplugging the power tool. Keep cord away from heat, oil, sharp edges or moving parts.** Damaged or entangled cords increase the risk of electric shock.

5. **When operating a power tool outdoors, use an extension cord suitable for outdoor use.** Use of a cord suitable for outdoor use reduces the risk of electric shock.
6. **If operating a power tool in a damp location is unavoidable, use a ground fault circuit interrupter (GFCI) protected supply.** Use of a GFCI reduces the risk of electric shock.

Personal Safety

1. **Stay alert, watch what you are doing and use common sense when operating a power tool. Do not use a power tool while you are tired or under the influence of drugs, alcohol or medication.** A moment of inattention while operating power tools may result in serious personal injury.
2. **Use personal protective equipment. Always wear eye protection.** Protective equipment such as dust mask, non-skid safety shoes, hard hat, or hearing protection used for appropriate conditions will reduce personal injuries.
3. **Prevent unintentional starting. Ensure the switch is in the off-position before connecting to power source and/or battery pack, picking up or carrying the tool.** Carrying power tools with your finger on the switch or energising power tools that have the switch on invites accidents.
4. **Remove any adjusting key or wrench before turning the power tool on.** A wrench or a key left attached to a rotating part of the power tool may result in personal injury.
5. **Do not overreach. Keep proper footing and balance at all times.** This enables better control of the power tool in unexpected situations.
6. **Dress properly. Do not wear loose clothing or jewellery. Keep your hair, clothing, and gloves away from moving parts.** Loose clothes, jewellery or long hair can be caught in moving parts.
7. **If devices are provided for the connection of dust extraction and collection facilities, ensure these are connected and properly used.** Use of dust collection can reduce dust-related hazards.

Power tool use and care

1. **Do not force the power tool. Use the correct power tool for your application.** The correct power tool will do the job better and safer at the rate for which it was designed.
2. **Do not use the power tool if the switch does not turn it on and off.** Any power tool that cannot be controlled with the switch is dangerous and must be repaired.
3. **Disconnect the plug from the power source and/or the battery pack from the power tool before making any adjustments, changing accessories, or storing power tools.** Such preventive safety measures reduce the risk of starting the power tool accidentally.
4. **Store idle power tools out of the reach of children and do not allow persons unfamiliar with the power tool or these instructions to operate the power tool.** Power tools are dangerous in the hands of untrained users.
5. **Maintain power tools. Check for misalignment or binding of moving parts, breakage of parts and any other condition that may affect the power tool's operation. If damaged, have the power tool repaired before use.** Many accidents are caused by poorly maintained power tools.

6. **Keep cutting tools sharp and clean.** Properly maintained cutting tools with sharp cutting edges are less likely to bind and are easier to control.
7. **Use the power tool, accessories and tool bits etc. in accordance with these instructions, taking into account the working conditions and the work to be performed.** Use of the power tool for operations different from those intended could result in a hazardous situation.

Service

1. **Have your power tool serviced by a qualified repair person using only identical replacement parts.** This will ensure that the safety of the power tool is maintained.
2. **Follow instruction for lubricating and changing accessories.**
3. **Keep handles dry, clean and free from oil and grease.**

USE PROPER EXTENSION CORD. Make sure your extension cord is in good condition. When using an extension cord, be sure to use one heavy enough to carry the current your product will draw. An undersized cord will cause a drop in line voltage resulting in loss of power and overheating. Table 1 shows the correct size to use depending on cord length and nameplate ampere rating. If in doubt, use the next heavier gage. The smaller the gage number, the heavier the cord.

Table 1: Minimum gage for cord

Ampere Rating		Volts	Total length of cord in feet			
			25 ft.	50 ft.	100 ft.	150 ft.
		120V	25 ft.	50 ft.	100 ft.	150 ft.
		220V - 240V	50 ft.	100 ft.	200 ft.	300 ft.
More Than	Not More Than	AWG				
0	6	-	18	16	16	14
6	10		18	16	14	12
10	12		16	16	14	12
12	16		14	12	Not Recommended	

Intended use

The tool is specially intended for cutting groove into composite boards made from aluminum, plastic, mineral contained plastic, and similar materials.

The tool can be used for sawing wood if it is equipped with the proper circular saw blade. Also, this tool can be used to cut aluminum only when equipped with the appropriate blade.

Circular saw safety warnings

Cutting procedures

1. **⚠ DANGER: Keep hands away from cutting area and the blade. Keep your second hand on auxiliary handle, or motor housing.** If both hands are holding the saw, they cannot be cut by the blade.
2. **Do not reach underneath the workpiece.** The guard cannot protect you from the blade below the workpiece.
3. **Adjust the cutting depth to the thickness of the workpiece.** Less than a full tooth of the blade teeth should be visible below the workpiece.

4. **Never hold piece being cut in your hands or across your leg. Secure the workpiece to a stable platform.** It is important to support the work properly to minimize body exposure, blade binding, or loss of control.

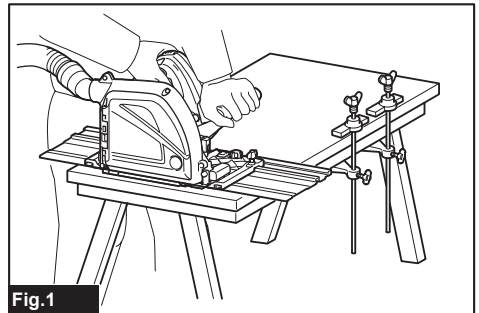


Fig.1

5. **Hold the power tool by insulated gripping surfaces only, when performing an operation where the cutting tool may contact hidden wiring or its own cord.** Contact with a "live" wire will also make exposed metal parts of the power tool "live" and could give the operator an electric shock.

6. **When ripping, always use a rip fence or straight edge guide.** This improves the accuracy of cut and reduces the chance of blade binding.
7. **Always use blades with correct size and shape (diamond versus round) of arbour holes.** Blades that do not match the mounting hardware of the saw will run eccentrically, causing loss of control.
8. **Never use damaged or incorrect blade washers or bolt.** The blade washers and bolt were specially designed for your saw, for optimum performance and safety of operation.

Kickback causes and related warnings

- kickback is a sudden reaction to a pinched, bound or misaligned saw blade, causing an uncontrolled saw to lift up and out of the workpiece toward the operator;
- when the blade is pinched or bound tightly by the kerf closing down, the blade stalls and the motor reaction drives the unit rapidly back toward the operator;
- if the blade becomes twisted or misaligned in the cut, the teeth at the back edge of the blade can dig into the top surface of the wood causing the blade to climb out of the kerf and jump back toward the operator.

Kickback is the result of saw misuse and/or incorrect operating procedures or conditions and can be avoided by taking proper precautions as given below.

1. **Maintain a firm grip with both hands on the saw and position your arms to resist kickback forces. Position your body to either side of the blade, but not in line with the blade.** Kickback could cause the saw to jump backwards, but kickback forces can be controlled by the operator, if proper precautions are taken.
2. **When blade is binding, or when interrupting a cut for any reason, release the trigger and hold the saw motionless in the material until the blade comes to a complete stop. Never attempt to remove the saw from the work or pull the saw backward while the blade is in motion or kickback may occur.** Investigate and take corrective actions to eliminate the cause of blade binding.
3. **When restarting a saw in the workpiece, centre the saw blade in the kerf and check that saw teeth are not engaged into the material.** If saw blade is binding, it may walk up or kickback from the workpiece as the saw is restarted.
4. **Support large panels to minimise the risk of blade pinching and kickback.** Large panels tend to sag under their own weight. Supports must be placed under the panel on both sides, near the line of cut and near the edge of the panel.

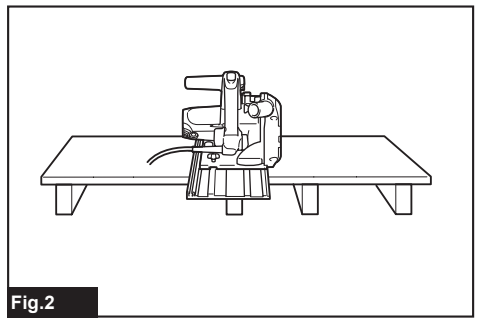


Fig.2

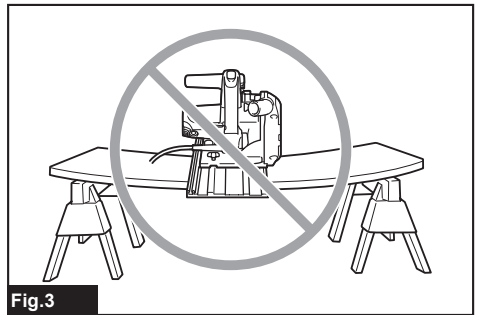


Fig.3

5. **Do not use dull or damaged blades.** Unsharpened or improperly set blades produce narrow kerf causing excessive friction, blade binding and kickback.
6. **Blade depth and bevel adjusting locking levers must be tight and secure before making cut.** If blade adjustment shifts while cutting, it may cause binding and kickback.
7. **Use extra caution when sawing into existing walls or other blind areas.** The protruding blade may cut objects that can cause kickback.
8. **ALWAYS hold the tool firmly with both hands. NEVER place your hand, leg or any part of your body under the tool base or behind the saw, especially when making cross-cuts.** If kickback occurs, the saw could easily jump backwards over your hand, leading to serious personal injury.

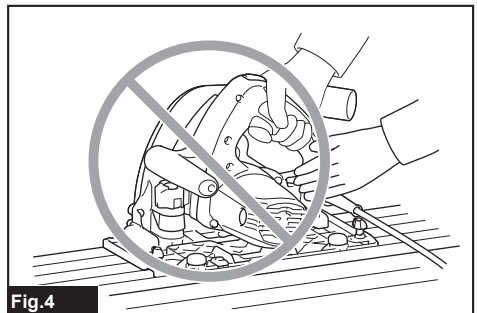


Fig.4

9. **Never force the saw. Push the saw forward at a speed so that the blade cuts without slowing.** Forcing the saw can cause uneven cuts, loss of accuracy, and possible kickback.

Guard function

1. **Check guard for proper closing before each use. Do not operate the saw if guard does not move freely and enclose the blade instantly. Never clamp or tie the guard so that the blade is exposed.** If saw is accidentally dropped, guard may be bent. Check to make sure that guard moves freely and does not touch the blade or any other part, in all angles and depths of cut.
2. **Check the operation and condition of the guard return spring. If the guard and the spring are not operating properly, they must be serviced before use.** Guard may operate sluggishly due to damaged parts, gummy deposits, or a build-up of debris.
3. **Assure that the base plate of the saw will not shift while performing the "plunge cut" when the blade bevel setting is not at 90°.** Blade shifting sideways will cause binding and likely kick back.
4. **Always observe that the guard is covering the blade before placing saw down on bench or floor.** An unprotected, coasting blade will cause the saw to walk backwards, cutting whatever is in its path. Be aware of the time it takes for the blade to stop after switch is released.

Additional safety warnings

1. **Use extra caution when cutting damp wood, pressure treated lumber, or wood containing knots.** Maintain smooth advancement of tool without decrease in blade speed to avoid overheating the blade tips.
2. **Do not attempt to remove cut material when blade is moving. Wait until blade stops before grasping cut material.** Blades coast after turn off.
3. **Avoid cutting nails. Inspect for and remove all nails from lumber before cutting.**
4. **Place the wider portion of the saw base on that part of the workpiece which is solidly supported, not on the section that will fall off when the cut is made. If the workpiece is short or small, clamp it down. DO NOT TRY TO HOLD SHORT PIECES BY HAND!**

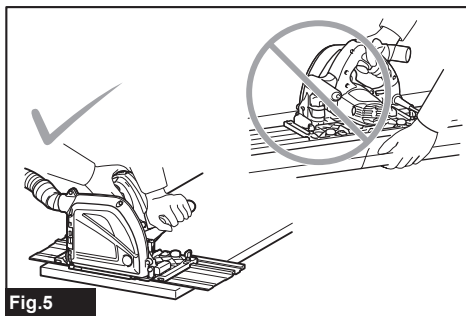


Fig.5

5. **Before setting the tool down after completing a cut, be sure that the guard has closed and the blade has come to a complete stop.**
6. **Never attempt to saw with the circular saw held upside down in a vise. This is extremely dangerous and can lead to serious accidents.**

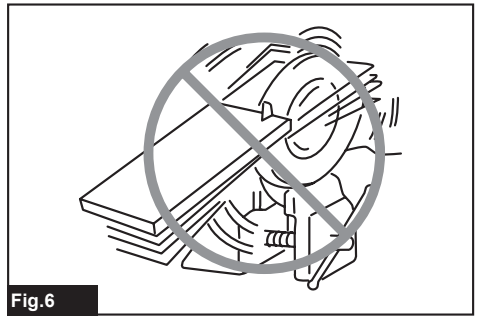


Fig.6

7. **Some material contains chemicals which may be toxic. Take caution to prevent dust inhalation and skin contact. Follow material supplier safety data.**
8. **Do not stop the blades by lateral pressure on the saw blade.**
9. **Do not use any abrasive wheels.**
10. **Only use the saw blade with the diameter that is marked on the tool or specified in the manual.** Use of an incorrectly sized blade may affect the proper guarding of the blade or guard operation which could result in serious personal injury.
11. **Keep blade sharp and clean.** Gum and wood pitch hardened on blades slows saw and increases potential for kickback. Keep blade clean by first removing it from tool, then cleaning it with gum and pitch remover, hot water or kerosene. Never use gasoline.
12. **Wear a dust mask and hearing protection when use the tool.**

SAVE THESE INSTRUCTIONS.

⚠WARNING: DO NOT let comfort or familiarity with product (gained from repeated use) replace strict adherence to safety rules for the subject product. MISUSE or failure to follow the safety rules stated in this instruction manual may cause serious personal injury.

Symbols

The followings show the symbols used for tool.

V	volts
A	amperes
Hz	hertz
~	alternating current
n _o	no load speed
□	Class II Construction
... /min r/min	revolutions or reciprocation per minute

FUNCTIONAL DESCRIPTION

CAUTION: Always be sure that the tool is switched off and unplugged before adjusting or checking function on the tool.

Quick stop for 3, 4, or 6 mm board thickness groove cutting

By turning the quick stop, you can choose the appropriate depth of groove cutting for 3, 4, or 6 mm board thickness swiftly.

The number, seen from the handle side, indicates the workpiece board thickness.

For fine adjustment of depth of groove, use the depth adjusting knob.

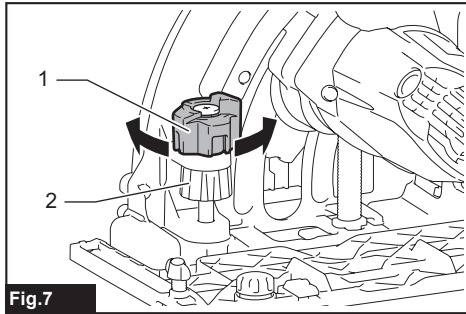


Fig.7

► 1. Quick stop 2. Depth adjusting knob

0 mm depth is set properly when the tool is shipped from the factory, but if you changed the depth of groove by the adjusting knob, refine the 0 mm depth as follows:

1. Turn the quick stop to 0 mm.
2. Turn the depth adjusting knob to adjust the depth.
3. Make sure that the blade does not make any contact with work piece.
4. Hold the tool firmly with one hand on the front grip and the other on the tool handle. Push in the lock-off button, and turn the tool on.
5. Slowly press down the saw head fully, and check whether the groove cutter blade does not contacts but almost touches the workpiece. If not, stop the tool and wait until the groove cutter blade stops completely, and adjust the depth by turning the depth adjusting knob again.

Adjusting depth of cut

To adjust depth of cut, turn the depth adjusting knob. For deeper cut, turn it clockwise. For shallower cut, turn it counterclockwise.

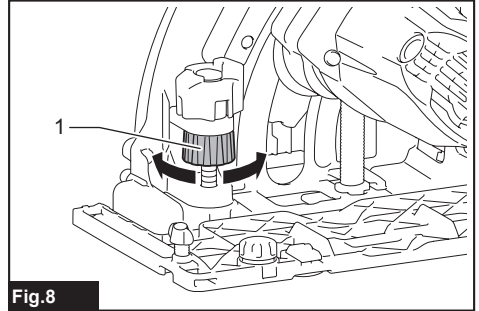


Fig.8

1. Depth adjusting knob

Sighting

Triangular mark on the base indicates the center of the groove cutter blade.

When using with groove cutter blade, align the outside triangular mark with the cutting line.

When using with circular saw blade (optional accessory), align the inside triangular mark with the cutting line.

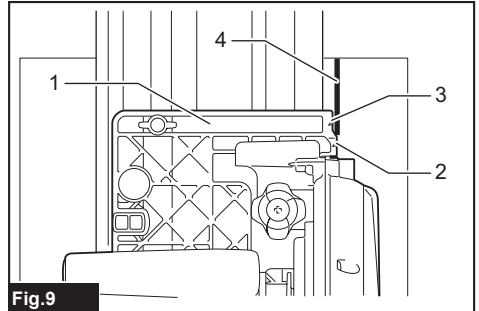


Fig.9

► 1. Base 2. Outside triangular mark 3. Inside triangular mark 4. Cutting line

Switch action

CAUTION: Before plugging in the tool, always check to see that the switch trigger actuates properly and returns to the "OFF" position when released.

To prevent the switch trigger from being accidentally pulled, a lock-off button is provided. To start the tool, push in the lock-off button and pull the switch trigger. Release the switch trigger to stop.

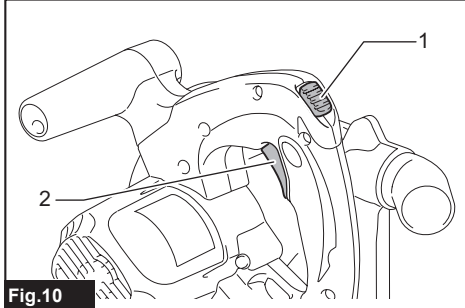


Fig.10

► 1. Lock-off button 2. Switch trigger

Speed adjusting dial

CAUTION: The speed adjusting dial is not for using low speed rated blades but for obtaining a speed which is suitable to material of workpiece. Use only blades which are rated for at least the maximum no load speed stated in the SPECIFICATIONS.

CAUTION: The speed adjusting dial can be turned only as far as 6 and back to 1. Do not force it past 6 or 1, or the speed adjusting function may no longer work.

The tool speed can be adjusted by turning the adjusting dial. Higher speed is obtained when the dial is turned in the direction of number 6; lower speed is obtained when it is turned in the direction of number 1.

Refer to the table to select the proper speed for the workpiece to be cut. However, the appropriate speed may differ with the type or thickness of the workpiece. In general, higher speeds will allow you to cut workpieces faster but the service life of the blade will be reduced.

Number	min ⁻¹
1	2,200
2	2,700
3	3,800
4	4,900
5	6,000
6	6,400

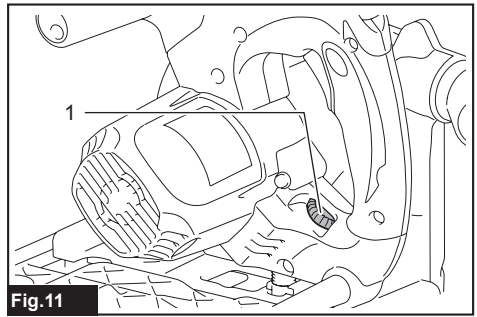


Fig.11

► 1. Speed adjusting dial

Guide plate

For aligning the guide rail (optional accessory) with the cutting line, use the guide plate.

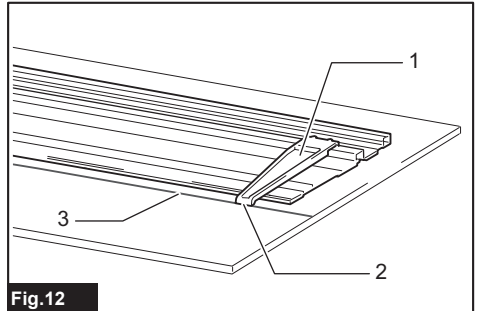


Fig.12

► 1. Guide plate 2. Plate edge 3. Cutting line

1. Set the guide plate onto the guide rail near from the cutting start point. The plate edge represents the center of the groove cutter blade. Align the plate edge with the cutting line.
2. Then, set again the guide plate on the guide rail near the cutting end point. And align the plate edge with the cutting line again.

Other features

The tools equipped with electronic function are easy to operate because of the following features.

Overload protector

When the load on the tool exceeds admissible levels, power to the motor is reduced to protect the motor from overheating. When the load returns to admissible levels, the tool will operate as normal.

Constant speed control

Electronic speed control for obtaining constant speed. Possible to get fine finish, because the rotating speed is kept constant even under load condition.

Soft start feature

Soft start because of suppressed starting shock.

ASSEMBLY

CAUTION: Always be sure that the tool is switched off and unplugged before carrying out any work on the tool.

Hex wrench storage

Hex wrench is stored on the tool. To remove hex wrench, just pull it out.
To install hex wrench, place it on the grip and insert it as far as it goes.

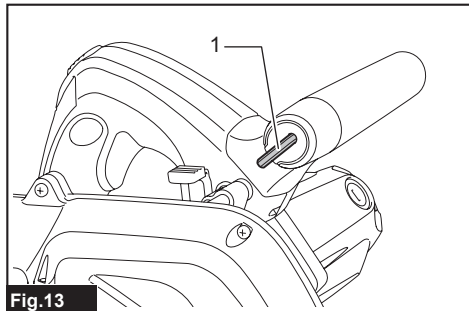


Fig.13

► 1. Hex wrench

Removing or installing groove cutter blade

CAUTION: Do not use blades which do not comply with the characteristics specified in these instructions.

CAUTION: Use only blades which are rated for at least the maximum no load speed stated in the SPECIFICATIONS.

CAUTION: Be sure the blade is installed with teeth pointing up at the front of the tool.

CAUTION: Use only the Makita wrench to install or remove the blade.

To remove the groove cutter blade, perform following steps:

1. Lie down the tool as the motor housing and the base touching the ground. Then insert the hex wrench into the hex hole, push it in, and open the blade case door by turning the hex wrench.

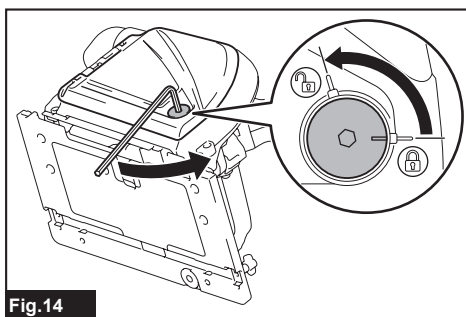


Fig.14

2. Press the shaft lock fully so that the blade does not revolve, then loosen the hex bolt counterclockwise with the wrench.

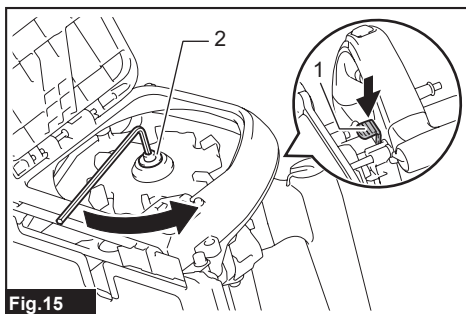


Fig.15

► 1. Shaft lock 2. Hex bolt

3. Remove the hex bolt, outer flange and blade.

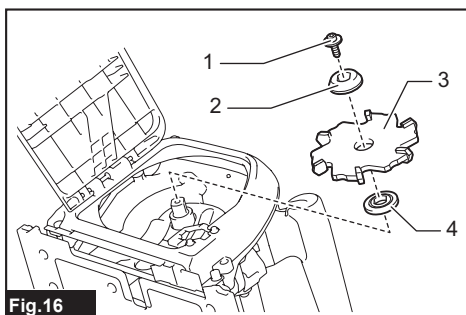


Fig.16

► 1. Hex bolt 2. Outer flange 3. Groove cutter blade 4. Inner flange

To install the blade, follow the removal procedure in reverse. **Be sure to tighten the hex bolt clockwise securely.** And close the blade case door after installing the blade.

When changing blade, make sure to also clean the guard of accumulated sawdust and chips as discussed in the Maintenance section. Such efforts do not replace the need to check guard operation before each use.

Using circular saw blade

Optional accessory

CAUTION: In case using circular saw blade, the skirt is not needed and it structurally can not be installed. Remove the skirt when using the circular saw blade.

To install the circular saw blade (optional accessory), perform the following steps:

1. Remove two bolts, and remove the skirt.

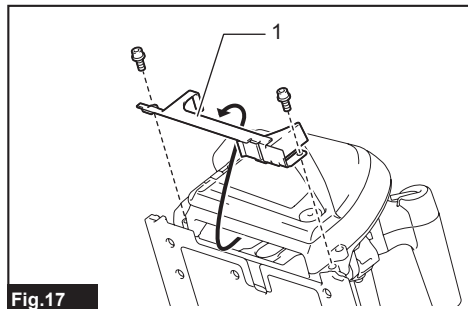


Fig.17

- 1. Skirt

2. Remove the groove cutter blade.
3. Slide in the circular saw blade from the opening which the skirt had covered.
4. Install the circular saw blade in the same way as the groove cutter blade. And close the blade case door after installing the blade.

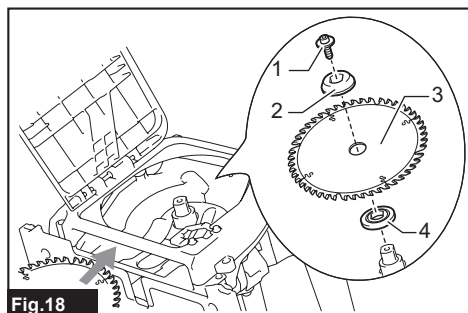


Fig.18

- 1. Hex bolt 2. Outer flange 3. Circular saw blade
4. Inner flange

5. Adjust depth of cut by turning the depth adjusting knob.

Rip fence (guide rule)

Optional accessory

CAUTION: Do not use the rip fence with the groove cutter blade. Use the rip fence only when using the tool with the circular saw blade (optional accessory).

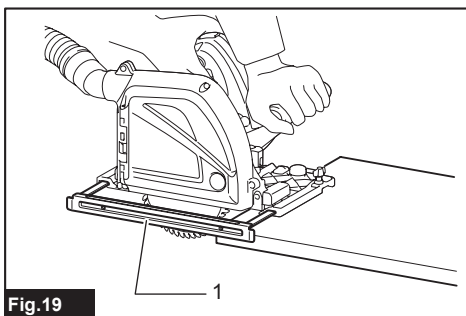


Fig.19

1. Rip fence (guide rule)

The handy rip fence allows you to do extra-accurate straight cuts. Simply slide the rip fence up snugly against the side of the workpiece and secure it in position with the screws on the front and the back of the base. It also makes repeated cuts of uniform width possible. Overturning the rip fence (guide rule) also works as a sub base for the tool.

Stopper for 2 to 3 mm depth of cut when using circular saw blade (optional accessory) and guide rail (optional accessory)

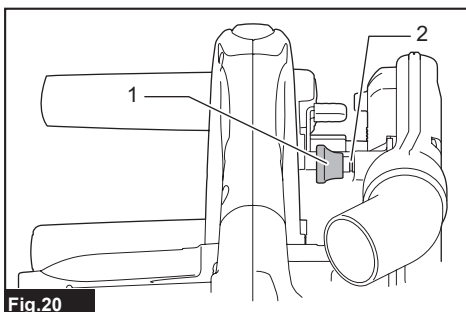


Fig.20

- 1. Stopper 2. Red mark

This tool has the stopper for 2 to 3 mm depth of cut on the gear housing aside the rear handle when using guide rail. Splinter on the workpiece can be avoided by making a pass of the 2 to 3 mm first cut and then make another pass of usual cut.

First, push in the stopper toward the circular saw blade for obtaining 2 to 3 mm depth of cut. Then pull the button back for performing free depth of cut.

Make sure that the stopper is released and the red mark can be seen for groove cutting operation.

Connecting a vacuum cleaner

For groove cutting operation, connect a Makita vacuum cleaner to your tool.
Connect a hose of the vacuum cleaner to the dust port.

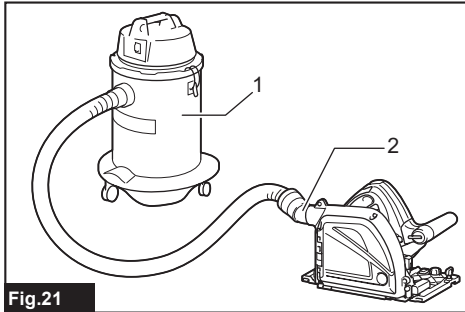


Fig.21

► 1. Vacuum cleaner 2. Dust port

OPERATION

CAUTION: Always use a front grip and rear handle and firmly hold the tool by both front grip and rear handle during operations.

Guide rail

Optional accessory

Always use the guide rail for groove cutting operation. Place the tool on the rear end of the guide rail. Turn two adjusting screws on the tool base so that the tool slides smoothly without a clatter.

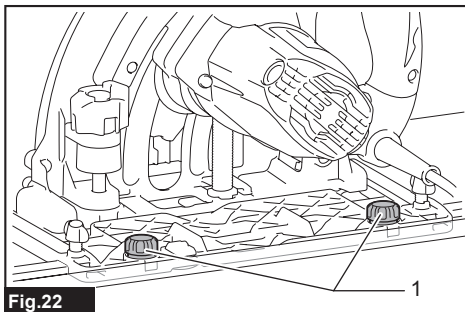


Fig.22

► 1. Adjusting screws

Groove cutting

CAUTION: Be sure to move the tool forward in a straight line gently. Forcing or twisting the tool may result in overheating the motor and dangerous kickback, possibly causing severe injury.

CAUTION: Never approach any part of your body under the tool base when section cutting, especially at starting. Doing so may cause serious personal injuries. The blade is exposed under the tool base.

CAUTION: Use eye protection to avoid injury.

CAUTION: For groove cutting operation, always connect the tool to a vacuum cleaner.

CAUTION: Hold the tool firmly. The tool is provided with both a front grip and rear handle. Use both to best grasp the tool. If both hands are holding saw, they cannot be cut by the blade.

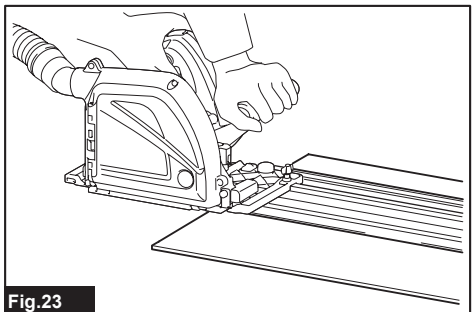


Fig.23

1. Adjust the depth of cut.
2. Set the tool on the guide rail.
3. Align the guide rail along the cutting line with using the guide plate. Make sure that the blade does not make any contact with workpiece.
4. Push in the lock-off button and turn the tool on, and wait until the blade attains full speed.
5. Press down the tool slowly to the preset depth of cut, and simply move the tool forward over the workpiece surface, keeping it flat and advancing smoothly until the cutting is completed.
6. When cutting is complete, release switch, wait for blade to stop and then withdraw tool.

To get clean cuts, keep your cutting line straight and your speed of advance uniform. If the cut fails to properly follow your intended cut line, **do not attempt to turn or force the tool back to the cut line.** Doing so may bind the blade and lead to dangerous kickback and possible serious injury.

Plunge cutting (Cutting-out)

⚠ WARNING: To avoid a kickback, be sure to observe the following instructions.

1. Place the tool on the guide rail with the rear edge of tool base against a fixed stop or equivalent which is clamped on the guide rail.

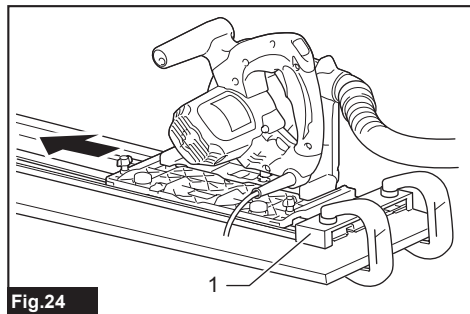


Fig.24

- 1. Fixed stop

2. Hold the tool firmly with one hand on the front grip and the other on the tool handle. Push in the lock-off button, and turn the tool on, then wait until the blade attains full speed.
3. Press down the saw head slowly to the preset depth of cut, and move the tool forward to the desired plunge position.

NOTE: The triangular mark on the blade case shows the approximate center of the blade.

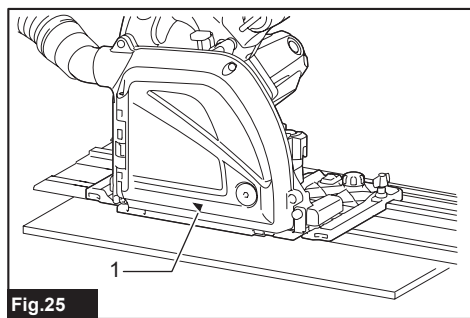


Fig.25

- 1. Triangular mark

MAINTENANCE

⚠ CAUTION: Always be sure that the tool is switched off and unplugged before attempting to perform inspection or maintenance.

⚠ CAUTION: Clean out the guard to ensure there is no accumulated sawdust and chips which may impede the operation of the guarding system. A dirty guarding system may limit the proper operation which could result in serious personal injury. The most effective way to accomplish this cleaning is with compressed air. If the dust is being blown out of the guard, be sure the proper eye and breathing protection is used.

NOTICE: Never use gasoline, benzine, thinner, alcohol or the like. Discoloration, deformation or cracks may result.

Replacing carbon brushes

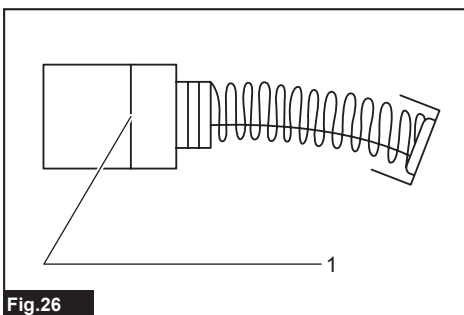


Fig.26

- 1. Limit mark

Check the carbon brushes regularly. Replace them when they wear down to the limit mark. Keep the carbon brushes clean and free to slip in the holders. Both carbon brushes should be replaced at the same time. Use only identical carbon brushes.

1. Use a screwdriver to remove the brush holder caps.
2. Take out the worn carbon brushes, insert the new ones and secure the brush holder caps.

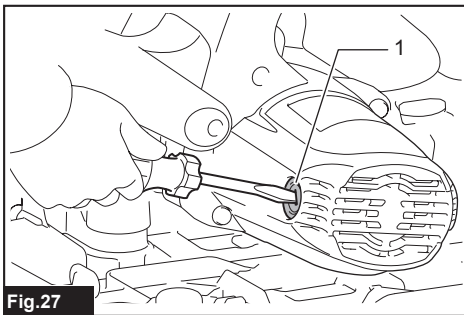


Fig.27

- 1. Brush holder cap

To maintain product SAFETY and RELIABILITY, repairs, any other maintenance or adjustment should be performed by Makita Authorized or Factory Service Centers, always using Makita replacement parts.

OPTIONAL ACCESSORIES

⚠ CAUTION: These accessories or attachments are recommended for use with your Makita tool specified in this manual. The use of any other accessories or attachments might present a risk of injury to persons. Only use accessory or attachment for its stated purpose.

If you need any assistance for more details regarding these accessories, ask your local Makita Service Center.

- Guide rail
- 90° groove cutter blade
- 135° groove cutter blade
- Guide plate
- Circular saw blade
- Rip fence (Guide rule)
- Clamp
- Hex wrench
- Sheet set for guide rail
- Rubber sheet set for guide rail
- Position sheet for guide rail
- Bevel guide set

NOTE: Some items in the list may be included in the tool package as standard accessories. They may differ from country to country.

MAKITA LIMITED ONE YEAR WARRANTY

Warranty Policy

Every Makita tool is thoroughly inspected and tested before leaving the factory. It is warranted to be free of defects from workmanship and materials for the period of ONE YEAR from the date of original purchase. Should any trouble develop during this one year period, return the COMPLETE tool, freight prepaid, to one of Makita's Factory or Authorized Service Centers. If inspection shows the trouble is caused by defective workmanship or material, Makita will repair (or at our option, replace) without charge.

This Warranty does not apply where:

- repairs have been made or attempted by others:
- repairs are required because of normal wear and tear:
- the tool has been abused, misused or improperly maintained:
- alterations have been made to the tool.

IN NO EVENT SHALL MAKITA BE LIABLE FOR ANY INDIRECT, INCIDENTAL OR CONSEQUENTIAL DAMAGES FROM THE SALE OR USE OF THE PRODUCT. THIS DISCLAIMER APPLIES BOTH DURING AND AFTER THE TERM OF THIS WARRANTY. MAKITA DISCLAIMS LIABILITY FOR ANY IMPLIED WARRANTIES, INCLUDING IMPLIED WARRANTIES OF "MERCHANTABILITY" AND "FITNESS FOR A SPECIFIC PURPOSE," AFTER THE ONE YEAR TERM OF THIS WARRANTY.

This Warranty gives you specific legal rights, and you may also have other rights which vary from state to state. Some states do not allow the exclusion or limitation of incidental or consequential damages, so the above limitation or exclusion may not apply to you. Some states do not allow limitation on how long an implied warranty lasts, so the above limitation may not apply to you.

SPÉCIFICATIONS

Modèle :	CA5000
Diamètre de la lame de fraise à rainurer	118,0 mm (4-5/8")
Diamètre de la lame de scie circulaire	165,0 mm (6-1/2")
Profondeur de coupe max. (avec la lame de fraise à rainurer)	11,0 mm (7/16")
Profondeur de coupe max. (avec la lame de scie circulaire)	36,0 mm (1-7/16")
Vitesse à vide (T/MIN)	2 200 - 6 400 /min
Longueur totale	346 mm (13-5/8")
Poids net	5,1 kg (11,3 lbs)

- Étant donné l'évolution constante de notre programme de recherche et de développement, les spécifications contenues dans ce manuel sont sujettes à modification sans préavis.
- Les spécifications peuvent varier suivant les pays.
- Poids conforme à la procédure EPTA du 01/2003

Consignes de sécurité générales pour outils électriques

▲ MISE EN GARDE : Lisez toutes les consignes de sécurité et toutes les instructions. L'ignorance des mises en garde et des instructions comporte un risque de choc électrique, d'incendie et/ou de blessure grave.

Conservez toutes les mises en garde et instructions pour référence future.

Le terme « outil électrique » qui figure dans les avertissements fait référence à un outil électrique branché sur une prise de courant (par un cordon d'alimentation) ou alimenté par batterie (sans fil).

Sécurité de la zone de travail

1. **Maintenez la zone de travail propre et bien éclairée.** Les zones de travail encombrées ou sombres ouvrent grande la porte aux accidents.
2. **N'utilisez pas les outils électriques dans les atmosphères explosives, par exemple en présence de liquides, gaz ou poussières inflammables.** Les outils électriques produisent des étincelles au contact desquelles la poussière ou les vapeurs peuvent s'enflammer.
3. **Assurez-vous qu'aucun enfant ou curieux ne s'approche pendant que vous utilisez un outil électrique.** Vous risquez de perdre la maîtrise de l'outil si votre attention est détournée.

Sécurité en matière d'électricité

1. **Les fiches d'outil électrique sont conçues pour s'adapter parfaitement aux prises de courant. Ne modifiez jamais la fiche de quelque façon que ce soit. N'utilisez aucun adaptateur de fiche sur les outils électriques avec mise à la terre.** En ne modifiant pas les fiches et en les insérant dans des prises de courant pour lesquelles elles ont été conçues, vous réduirez les risques de choc électrique.
2. **Évitez tout contact corporel avec les surfaces mises à la terre, telles que tuyaux, radiateurs, cuisinières et réfrigérateurs.** Le risque de choc électrique est plus élevé si votre corps se trouve mis à la terre.

3. **N'exposez pas les outils électriques à la pluie ou à l'eau.** La présence d'eau dans un outil électrique augmente le risque de choc électrique.
4. **Ne maltraitez pas le cordon. N'utilisez jamais le cordon pour transporter, tirer ou débrancher l'outil électrique. Maintenez le cordon à l'écart des sources de chaleur, de l'huile, des objets à bords tranchants et des pièces en mouvement.** Le risque de choc électrique est plus élevé lorsque les cordons sont endommagés ou enchevêtrés.
5. **Lorsque vous utilisez un outil électrique à l'extérieur, utilisez un cordon prolongateur conçu pour l'usage extérieur.** Le risque de choc électrique est moindre lorsqu'un cordon conçu pour l'usage extérieur est utilisé.
6. **Si vous devez utiliser un outil électrique dans un endroit humide, utilisez une source d'alimentation protégée par un disjoncteur de fuite à la terre.** L'utilisation d'un disjoncteur de fuite à la terre réduit le risque de choc électrique.

Sécurité personnelle

1. **Restez alerte, attentif à vos mouvements et faites preuve de bon sens lorsque vous utilisez un outil électrique. N'utilisez pas les outils électriques si vous êtes fatigué ou avez pris une drogue, de l'alcool ou un médicament.** Un moment d'inattention pendant l'utilisation d'un outil électrique peut entraîner une grave blessure.
2. **Portez des dispositifs de protection personnelle. Portez toujours une protection oculaire.** Les risques de blessure seront moins élevés si vous utilisez des dispositifs de protection tels qu'un masque anti-poussière, des chaussures à semelle antidérapante, une coiffure résistante ou une protection d'oreilles.
3. **Évitez les démarrages accidentels. Assurez-vous que l'interrupteur est en position d'arrêt avant de brancher l'outil à la prise de courant et/ou au bloc-piles, et avant de prendre ou de transporter l'outil.** Vous ouvrez la porte aux accidents si vous transportez les outils électriques avec le doigt sur l'interrupteur ou si vous les branchez alors que l'interrupteur est en position de marche.

4. **Retirez toute clé de réglage ou de serrage avant de mettre l'outil électrique sous tension.** Toute clé laissée en place sur une pièce rotative de l'outil électrique peut entraîner une blessure.
5. **Ne vous étirez pas exagérément. Assurez-vous d'une bonne prise au sol et d'un bon équilibre en tout temps.** Cela vous permettra d'avoir une meilleure maîtrise de l'outil électrique dans les situations imprévues.
6. **Portez des vêtements adéquats. Ne portez ni vêtements amples ni bijoux. Vous devez maintenir cheveux, vêtements et gants à l'écart des pièces en mouvement.** Les pièces en mouvement peuvent happer les vêtements amples, les bijoux et les cheveux longs.
7. **Si des accessoires sont fournis pour raccorder un appareil d'aspiration et de collecte de la poussière, assurez-vous qu'ils sont correctement raccordés et qu'ils sont utilisés de manière adéquate.** L'utilisation d'un appareil de collecte permet de réduire les risques liés à la présence de poussière dans l'air.
5. **Veillez à l'entretien des outils électriques. Assurez-vous que les pièces mobiles ne sont pas désalignées ou coincées, qu'aucune pièce n'est cassée et que l'outil électrique n'a subi aucun dommage affectant son bon fonctionnement. Le cas échéant, faites réparer l'outil électrique avant de l'utiliser.** De nombreux accidents sont causés par des outils électriques mal entretenus.
6. **Maintenez les outils tranchants bien aiguisés et propres.** Un outil tranchant dont l'entretien est effectué correctement et dont les bords sont bien aiguisés risquera moins de se coincer et sera plus facile à maîtriser.
7. **Utilisez l'outil électrique, ses accessoires, ses embouts, etc., en respectant les présentes instructions, en tenant compte des conditions de travail et du type de travail à effectuer.** L'utilisation d'un outil électrique pour d'autres usages que ceux prévus peut entraîner une situation dangereuse.

Utilisation et entretien des outils électriques

1. **Ne forcez pas l'outil électrique. Utilisez l'outil électrique adéquat suivant le type de travail à effectuer.** Si vous utilisez l'outil électrique adéquat et respectez le régime pour lequel il a été conçu, il effectuera un travail de meilleure qualité et plus sécuritaire.
2. **N'utilisez pas l'outil électrique s'il n'est pas possible de l'allumer et de l'éteindre avec son interrupteur.** Un outil électrique dont l'interrupteur est défectueux représente un danger et doit être réparé.
3. **Débranchez la fiche de la source d'alimentation et/ou retirez le bloc-piles de l'outil électrique avant d'effectuer tout réglage, de remplacer un accessoire ou de ranger l'outil électrique.** De telles mesures préventives réduisent les risques de démarrage accidentel de l'outil électrique.
4. **Après l'utilisation d'un outil électrique, rangez-le hors de portée des enfants et ne laissez aucune personne l'utiliser si elle n'est pas familiarisée avec l'outil électrique ou les présentes instructions d'utilisation.** Les outils électriques représentent un danger entre les mains de personnes qui n'en connaissent pas le mode d'utilisation.

Réparation

1. **Faites réparer votre outil électrique par un réparateur qualifié qui utilise des pièces de rechange identiques aux pièces d'origine.** Le maintien de la sûreté de l'outil électrique sera ainsi assuré.
2. **Suivez les instructions de lubrification et de remplacement des accessoires.**
3. **Maintenez les poignées de l'outil sèches, propres et exemptes d'huile ou de graisse.**

UTILISEZ UN CORDON PROLONGATEUR

APPROPRIÉ. Assurez-vous que votre cordon prolongateur est en bonne condition. Lorsque vous utilisez un cordon prolongateur, assurez-vous qu'il est assez robuste pour transporter le courant exigé par le produit. Un cordon trop petit entraînera une baisse dans la tension composée, ce qui causera une perte d'énergie et une surchauffe. Le tableau 1 indique la dimension de cordon à utiliser, en fonction de la longueur du cordon et de l'intensité nominale figurant sur la plaque signalétique. En cas de doute, utilisez un calibre plus robuste. Plus le numéro de calibre est bas, plus le cordon est robuste.

Tableau 1 : Calibre minimum du cordon

Intensité nominale		Volts	Longueur totale du cordon en pieds			
			25 ft.	50 ft.	100 ft.	150 ft.
		120 V	25 ft.	50 ft.	100 ft.	150 ft.
		220 V - 240 V	50 ft.	100 ft.	200 ft.	300 ft.
		Calibre américain des fils				
Plus de	Pas plus de	-	18	16	16	14
0	6		18	16	14	12
6	10		16	16	14	12
10	12		14	12	Non recommandé	
12	16		14	12		

Utilisation prévue

L'outil est spécialement conçu pour le rainurage dans les panneaux composites en aluminium, en plastique, en plastique composé de minéraux, et autres matériaux

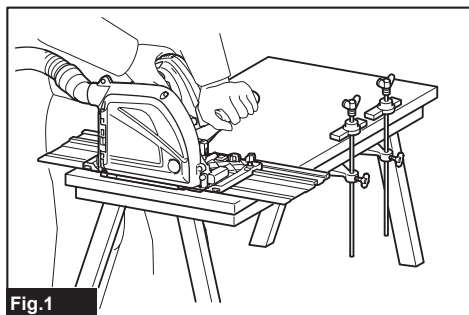
similaires.

L'outil peut être utilisé pour scier le bois s'il est équipé de la lame de scie circulaire adéquate. Cet outil peut aussi être utilisé pour couper l'aluminium, uniquement lorsqu'il est équipé de la lame adéquate.

Consignes de sécurité pour scie circulaire

Procédures de coupe

1. **⚠ DANGER : N'approchez pas les mains de la zone de coupe ou de la lame. Gardez l'autre main sur la poignée auxiliaire ou sur le carter du moteur.** En tenant la scie avec vos deux mains, vous mettez celles-ci à l'abri de la lame.
2. **N'étendez pas la main sous la pièce.** Le protecteur ne peut pas vous protéger contre la lame sous la pièce.
3. **Ajustez la profondeur de coupe en fonction de l'épaisseur de la pièce.** La partie de la lame visible sous la pièce doit être inférieure à une dent de lame complète.
4. **Ne maintenez jamais la pièce à scier dans vos mains ou sur votre jambe. Immobilisez la pièce sur une surface stable.** Il est important de soutenir adéquatement la pièce afin de minimiser l'exposition du corps, les coincements de lame ou les pertes de maîtrise.



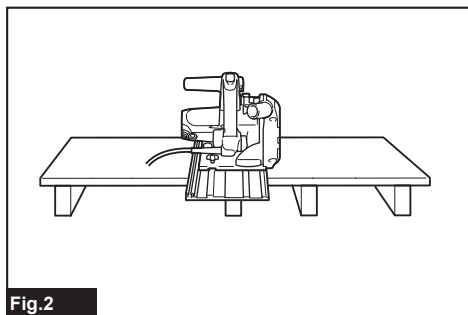
5. **Tenez uniquement l'outil électrique par ses surfaces de prise isolées pendant toute opération où l'outil de coupe pourrait venir en contact avec un câblage dissimulé ou avec son propre cordon.** En cas de contact avec un fil sous tension, les pièces métalliques à découvert de l'outil deviendraient également sous tension et risqueraient de transmettre une décharge à l'utilisateur.
6. **Lors du sciage en long, utilisez toujours un garde parallèle ou un guide de coupe rectiligne.** Cela améliore la précision de la coupe et réduit le risque de coincement de la lame.
7. **Employez toujours une lame de diamètre approprié et dont le trou central est de forme correcte (angulaire ou ronde).** Une lame dont le trou ne correspond pas à la forme du moyeu de fixation de la scie risque de tourner de façon excentrique et de vous faire perdre la maîtrise de l'outil.
8. **N'utilisez jamais de rondelles ou boulons endommagés ou inadéquats pour fixer la lame.** Les rondelles et le boulon de la lame ont été conçus spécialement pour votre scie, afin d'assurer un fonctionnement optimal et un travail sécuritaire.

Causes du recul et avertissements connexes

- le recul est une réaction soudaine survenant lorsque la lame de scie, coincée, pincée ou mal alignée devient incontrôlable, se soulève hors de la pièce et se dirige vers l'utilisateur ;
- lorsque la lame se trouve solidement coincée ou pincée par le trait de scie qui se referme sur elle, elle se bloque et une réaction du moteur entraîne alors l'outil rapidement vers l'utilisateur ;
- si la lame se tord ou se désaligne par rapport à la ligne de coupe, les dents arrière risquent de s'enfoncer dans la surface du bois et la lame de quitter le trait de scie en reculant brusquement vers l'utilisateur.

Le recul est le résultat d'une utilisation inadéquate de la scie et/ou de procédures ou conditions d'utilisation incorrectes ; on peut l'éviter en prenant des précautions adéquates, indiquées ci-dessous.

1. **Maintenez une prise ferme à deux mains sur la scie, et placez vos bras de manière à pouvoir résister à la force exercée lors des reculs. Posez votre corps d'un côté ou de l'autre de la lame, jamais dans sa ligne de coupe.** Un recul peut faire sauter la scie vers l'arrière, mais l'utilisateur pourra maîtriser la force exercée par ce recul s'il prend les précautions nécessaires.
2. **Lorsque la lame se coince ou lorsque vous interrompez la coupe pour une raison quelconque, libérez la gâchette et gardez la scie immobile dans le matériau jusqu'à ce que la lame s'arrête parfaitement. N'essayez jamais de retirer la scie de la pièce ou de faire reculer la scie pendant que la lame tourne, autrement il y a risque de recul.** Identifiez la cause du coincement de la lame et prenez les mesures correctives pour éliminer le problème.
3. **Avant de faire redémarrer la scie dans la pièce, centrez la lame de scie dans le trait de scie et assurez-vous que les dents de la scie ne mordent pas déjà dans le matériau.** Si la lame de scie est coincée, elle risque de remonter dans le trait de scie ou de causer un recul au moment du redémarrage de la scie.
4. **Les grands panneaux doivent être soutenus pour minimiser les risques de recul causé par le coincement de la lame.** Les grands panneaux ont tendance à s'affaisser sous leur propre poids. Des supports doivent être installés sous le panneau, des deux côtés, près de la ligne de coupe et près du bord du panneau.



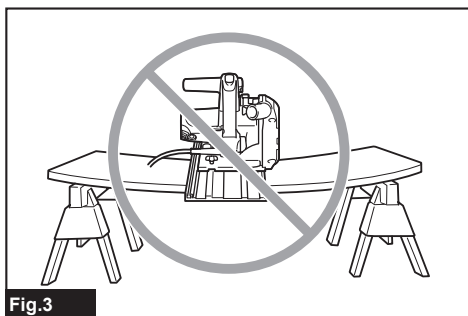


Fig.3

5. **N'utilisez jamais les lames émoussées ou endommagées.** Les lames mal affûtées ou mal avoyées produisent un trait de scie étroit qui donne lieu à un frottement excessif, au coincement de la lame et à un recul.
6. **Avant d'effectuer la coupe, les leviers de verrouillage de la profondeur de coupe et de la coupe en biseau doivent être fermement serrés.** Il y a risque de pincement et de recul si les réglages de la lame se modifient pendant la coupe.
7. **Soyez particulièrement prudent lors des coupes dans une cloison existante ou tout autre matériau dont l'arrière n'est pas visible.** La lame pourrait rencontrer un objet dur, ce qui provoquerait un recul.
8. **Tenez TOUJOURS l'outil fermement à deux mains. Ne placez JAMAIS une main, une jambe ou toute autre partie du corps sous la base de l'outil ou derrière la scie, et ce tout particulièrement lors des coupes transversales.** En cas de recul, la scie peut facilement bondir vers l'arrière et vous blesser gravement en passant sur votre main.

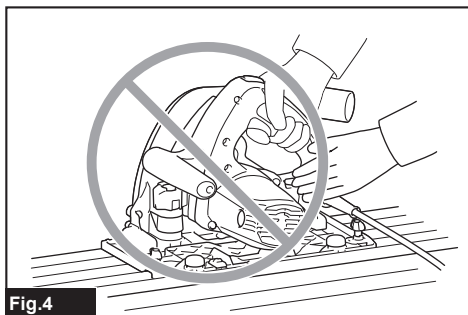


Fig.4

9. **Ne forcez jamais la scie. Poussez la scie vers l'avant à une vitesse permettant à la lame de couper sans ralentir.** Le fait de forcer la scie peut causer une coupe inégale, une perte de précision ou un recul.

Fonctionnement du protecteur

1. **Avant chaque utilisation, assurez-vous que le protecteur se referme correctement. N'utilisez pas la scie si le protecteur ne se déplace pas librement et ne recouvre pas instantanément la lame. Ne bloquez jamais le protecteur pour le tenir en position ouverte (lame exposée).**

Si la scie tombe par terre accidentellement, le protecteur peut être gauchi. Assurez-vous que le protecteur se déplace librement et qu'il ne touche pas la lame ou tout autre élément de l'outil, quels que soient les réglages d'angle et de profondeur de coupe.

2. **Vérifiez l'état et le bon fonctionnement du ressort de rappel du protecteur. Si le protecteur ou son ressort ne fonctionnent pas correctement, il faut les réparer avant d'utiliser l'outil.** Le protecteur peut être lent à se refermer à cause de pièces endommagées, de dépôts collants ou d'une accumulation de débris.
3. **Assurez-vous que la plaque d'appui de la scie ne se déplace pas pendant l'exécution d'une « coupe en plongée » lorsque l'angle de coupe en biseau n'est pas réglé sur 90°.** Si la lame se déplace de côté elle risque de se coincer et de causer un recul.
4. **Avant de déposer la scie sur l'établi ou le plancher, assurez-vous que le protecteur recouvre la lame.** Sans protection et en roue libre, la scie reculera en coupant tout sur son passage. N'oubliez pas qu'il faut un certain temps avant que la lame cesse de tourner une fois l'interrupteur relâché.

Consignes de sécurité supplémentaires

1. **Redoublez de prudence lorsque vous coupez du bois humide, du bois traité sous pression ou du bois qui contient des nœuds.** Adoptez une vitesse de coupe de telle sorte que l'outil continue d'avancer en douceur, sans que la vitesse de la lame ne diminue, pour éviter la surchauffe de la pointe de la lame.
2. **N'essayez pas de retirer le matériau coupé pendant que la lame tourne. Attendez que la lame s'arrête avant de retirer le matériau coupé.** Les lames tournent en roue libre après la mise hors tension.
3. **Évitez les clous.** Avant la coupe, vérifiez la présence de clous dans le bois et retirez-les le cas échéant.
4. **Placez la partie la plus grande de la base de la scie sur la partie de la pièce qui est solidement soutenue, non sur celle qui tombera une fois la coupe terminée.** Si la pièce est courte ou petite, installez-la dans un dispositif de serrage. **N'ESSAYEZ PAS DE TENIR LES COURTES PIÈCES UNIQUEMENT AVEC LA MAIN !**

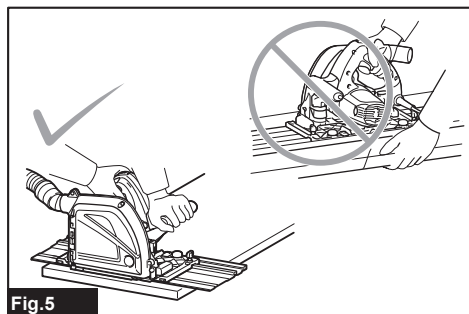


Fig.5

5. **Avant de déposer l'outil une fois la coupe terminée, assurez-vous que le protecteur est fermé et que la lame est complètement arrêtée.**

6. Ne tentez jamais de scier en plaçant la scie circulaire la tête en bas dans un étau. Cela est très dangereux et peut entraîner de graves accidents.

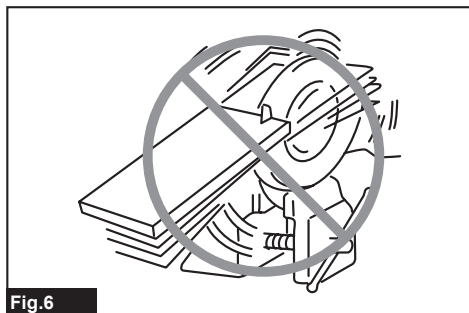


Fig.6


7. Certains matériaux contiennent des produits chimiques qui peuvent être toxiques. Prenez les précautions nécessaires pour éviter l'inhalation de ces poussières ou leur contact avec la peau. Conformez-vous aux consignes de sécurité du fournisseur du matériau.
8. N'appliquez jamais une pression latérale sur la lame de scie pour l'arrêter.
9. N'utilisez aucune meule abrasive.
10. N'utilisez que la lame de scie dont le diamètre correspond aux indications données sur l'outil ou dans le manuel. L'utilisation d'une lame d'une taille incorrecte peut affecter la protection de la lame ou le fonctionnement du protecteur et cela pourrait causer de graves blessures.
11. Maintenez la lame affûtée et propre. Les dépôts de colle et les copeaux de bois durcis sur la lame ralentissent la scie et augmentent les risques de recul. Pour nettoyer la lame, retirez-la d'abord de l'outil, puis utilisez un décapant, de l'eau chaude ou du kérosène pour retirer la colle et les copeaux. N'utilisez jamais d'essence.
12. Portez un masque antipoussières et des protections d'oreilles lorsque vous utilisez l'outil.

CONSERVEZ CE MODE D'EMPLOI.

⚠ MISE EN GARDE : NE VOUS LAISSEZ PAS tromper (au fil d'une utilisation répétée) par un sentiment d'aisance ou de familiarité avec le produit en négligeant les consignes de sécurité qui accompagnent le produit. L'UTILISATION INCORRECTE ou l'ignorance des consignes de sécurité du présent manuel d'instructions comporte un risque de blessure grave.

Symboles

Les symboles utilisés pour l'outil sont indiqués ci-dessous.

V	volts
A	ampères
Hz	hertz
~	courant alternatif
n _o	vitesse à vide
	construction, catégorie II
... /min r/min	tours ou alternances par minute

DESCRIPTION DU FONCTIONNEMENT

⚠ ATTENTION : Assurez-vous toujours que l'outil est hors tension et débranché avant de l'ajuster ou de vérifier son fonctionnement.

Arrêt rapide pour le rainurage des planches dont l'épaisseur est de 3, 4 ou 6 mm

En tournant l'arrêt rapide, vous pouvez choisir rapidement la profondeur de rainurage adéquate pour les planches dont l'épaisseur est de 3, 4 ou 6 mm. Le numéro, vu du côté poignée, indique l'épaisseur de la planche. Pour ajuster finement la profondeur de la rainure, utilisez le bouton de réglage de la profondeur.

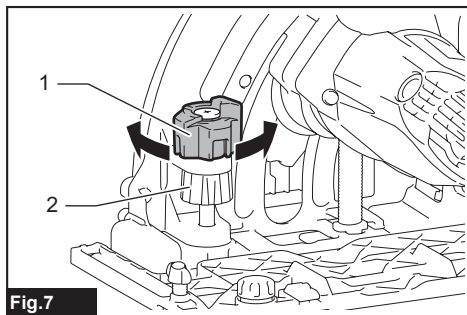


Fig.7

- 1. Arrêt rapide 2. Bouton de réglage de la profondeur

La profondeur de 0 mm est réglée correctement à la sortie d'usine de l'outil, mais si vous modifiez la profondeur de rainure avec le bouton de réglage, réajustez finement la profondeur de 0 mm comme suit :

1. Tournez l'arrêt rapide sur 0 mm.
2. Tournez le bouton de réglage de la profondeur pour ajuster la profondeur.
3. Assurez-vous que la lame n'est nullement en contact avec la pièce.
4. Tenez l'outil fermement en plaçant une main sur la poignée avant et l'autre sur la poignée de l'outil. Enfoncez le bouton de sécurité, et mettez l'outil en marche.
5. Abaissez lentement et complètement la tête de scie, et vérifiez si la lame de fraise à rainurer se trouve tout près de la pièce sans toutefois la toucher. Dans le cas contraire, arrêtez l'outil et attendez l'arrêt complet de la lame de fraise à rainurer, puis ajustez la profondeur en tournant de nouveau le bouton de réglage de la profondeur.

Réglage de la profondeur de coupe

Pour ajuster la profondeur de coupe, tournez le bouton de réglage de la profondeur.

Pour une coupe plus profonde, tournez-le dans le sens des aiguilles d'une montre. Pour une coupe moins profonde, tournez-le dans le sens contraire des aiguilles d'une montre.

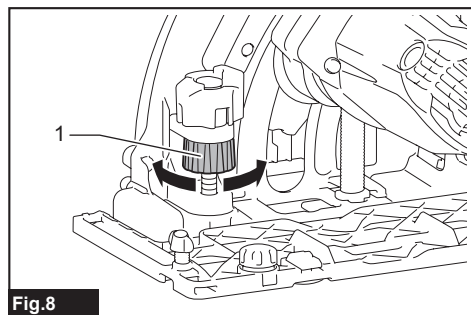


Fig.8

1. Bouton de réglage de la profondeur

Visée

La marque triangulaire sur la base indique le centre de la lame de fraise à rainurer.

Lors de l'utilisation de la lame de fraise à rainurer, alignez la marque triangulaire extérieure sur la ligne de coupe.

Lors de l'utilisation de la lame de scie circulaire (accessoire en option), alignez la marque triangulaire intérieure sur la ligne de coupe.

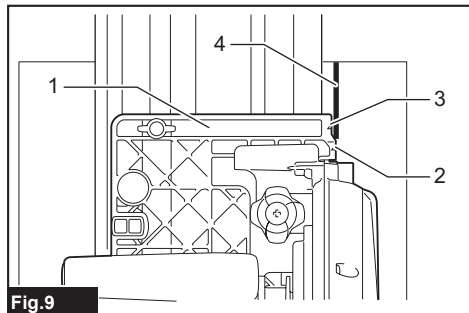


Fig.9

1. Base 2. Marque triangulaire extérieure 3. Marque triangulaire intérieure 4. Ligne de coupe

Interrupteur

⚠ ATTENTION : Avant de brancher l'outil, assurez-vous toujours que la gâchette fonctionne correctement et revient en position d'arrêt une fois relâchée.

Un bouton de sécurité est fourni pour prévenir la pression accidentelle sur la gâchette.

Pour faire démarrer l'outil, appuyez sur le bouton de sécurité puis sur la gâchette.

Relâchez la gâchette pour arrêter l'outil.

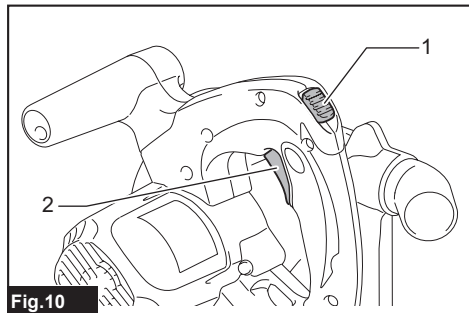


Fig.10

1. Bouton de sécurité 2. Gâchette

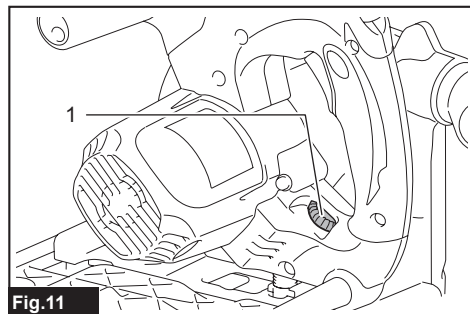
Cadran de réglage de la vitesse

ATTENTION : Le cadran de réglage de la vitesse n'a pas été prévu pour l'utilisation de lames basse vitesse, mais pour obtenir une vitesse adaptée au matériau de la pièce. Utilisez seulement des lames dont la vitesse nominale correspond au moins à la vitesse à vide maximale indiquée dans les SPÉCIFICATIONS.

ATTENTION : Le cadran de réglage de la vitesse ne peut pas dépasser le 6 et le 1. **Ne le forcez pas à dépasser le 6 ou le 1, sinon la fonction de réglage de la vitesse risque de ne plus fonctionner.**

La vitesse de l'outil peut être réglée à l'aide du cadran de réglage. Une vitesse plus élevée s'obtient en tournant le cadran vers le numéro 6, et une vitesse plus basse en le tournant vers le numéro 1. Référez-vous au tableau pour sélectionner la vitesse qui convient à la pièce à couper. La vitesse adéquate peut toutefois varier suivant le type de matériau ou l'épaisseur de la pièce. En général, les vitesses rapides permettent de couper les pièces plus rapidement, mais cela réduit la durée de service de la lame.

Numéro	/min
1	2 200
2	2 700
3	3 800
4	4 900
5	6 000
6	6 400



► 1. Cadran de réglage de la vitesse

Plaque de guidage

Pour aligner le rail-guide (accessoire en option) sur la ligne de coupe, utilisez la plaque de guidage.

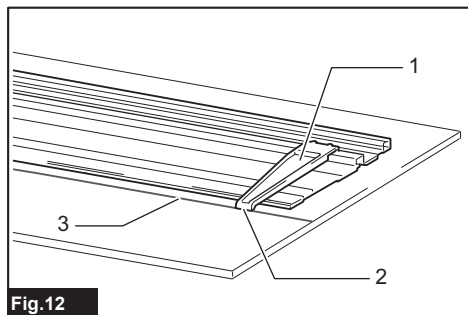


Fig.12

► 1. Plaque de guidage 2. Bord de la plaque 3. Ligne de coupe

1. Placez la plaque de guidage sur le rail-guide près du point de début de la coupe. Le bord de la plaque représente le centre de la lame de fraise à rainurer. Alignez le bord de la plaque sur la ligne de coupe.

2. Placez ensuite la plaque de guidage sur le rail-guide près du point de fin de la coupe. Réalignez le bord de la plaque sur la ligne de coupe.

Autres caractéristiques

Les caractéristiques qui suivent facilitent l'utilisation des outils munis de fonctions électroniques.

Disjoncteur de surcharge

Lorsque la charge de l'outil dépasse le niveau admissible, l'alimentation du moteur est réduite pour le protéger contre la surchauffe. Lorsque la charge revient au niveau admissible, l'outil reprend son fonctionnement normal.

Commande de vitesse constante

Commande électronique de la vitesse afin d'obtenir une vitesse constante. Permet d'obtenir une finition précise puisque la vitesse de rotation est maintenue constante même dans des conditions de lourde charge.

Fonction de démarrage en douceur

La suppression du choc de démarrage permet un démarrage en douceur.

ASSEMBLAGE

ATTENTION : Avant d'effectuer toute intervention sur l'outil, assurez-vous toujours qu'il est hors tension et débranché.

Rangement de la clé hexagonale

La clé hexagonale est rangée sur l'outil. Pour enlever la clé hexagonale, tirez simplement dessus. Pour installer la clé hexagonale, posez-la sur la poignée et insérez-la à fond.

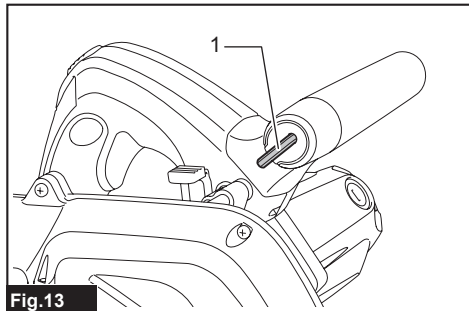


Fig.13

► 1. Clé hexagonale

Retrait ou pose de la lame de fraise à rainurer

ATTENTION : N'utilisez pas de lames non conformes aux caractéristiques spécifiées dans les présentes instructions.

ATTENTION : Utilisez seulement des lames dont la vitesse nominale correspond au moins à la vitesse à vide maximale indiquée dans les SPÉCIFICATIONS.

ATTENTION : Assurez-vous que la lame est installée avec les dents orientées vers le haut à l'avant de l'outil.

ATTENTION : Utilisez exclusivement une clé Makita pour installer ou retirer la lame.

Pour retirer la lame de fraise à rainurer, procédez comme suit :

1. Déposez l'outil de sorte que le carter du moteur et la base touchent le sol. Insérez ensuite la clé hexagonale dans le trou hexagonal, enfoncez-la, et ouvrez la porte du logement à lame en tournant la clé hexagonale.

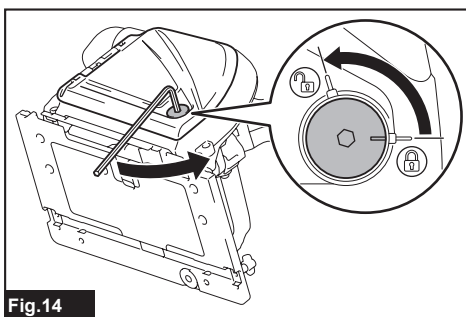


Fig.14

2. Appuyez à fond sur le blocage de l'arbre de sorte que la lame ne puisse pas tourner, puis desserrez le boulon hexagonal en tournant dans le sens contraire des aiguilles d'une montre avec la clé.

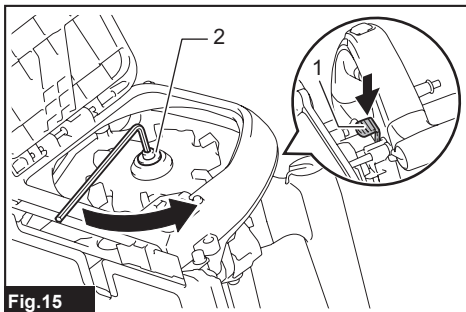


Fig.15

► 1. Blocage de l'arbre 2. Boulon hexagonal

3. Retirez le boulon hexagonal, la bague externe et la lame.

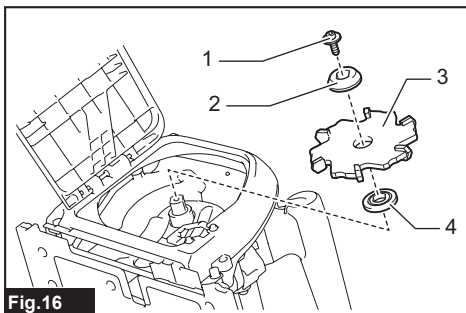


Fig.16

► 1. Boulon hexagonal 2. Bague externe 3. Lame de fraise à rainurer 4. Bague interne

Pour poser la lame, effectuez le contraire de la procédure de retrait. **Pensez à bien serrer le boulon hexagonal dans le sens des aiguilles d'une montre.** Fermez la porte du logement à lame après avoir installé la lame.

Lors du changement de la lame, assurez-vous de nettoyer la sciure de bois et les copeaux présents sur le protecteur, comme indiqué dans la section Entretien. Il est également nécessaire de vérifier le fonctionnement du protecteur avant chaque utilisation.

Utilisation de la lame de scie circulaire

Accessoire en option

ATTENTION : N'installez pas la jupe lorsque vous utilisez la lame de scie circulaire. Autrement la lame de scie circulaire heurtera la jupe et endommagera l'outil.

Pour installer la lame de scie circulaire (accessoire en option), procédez comme suit :

1. Retirez deux boulons, et retirez la collerette.

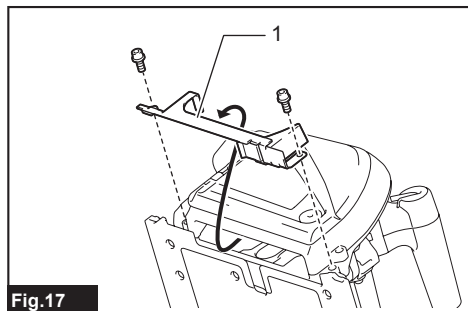


Fig.17

- 1. Collerette

2. Retirez la lame de fraise à rainurer.
3. Faites glisser la lame de scie circulaire par l'ouverture que recouvrait la collerette.
4. Installez la lame de scie circulaire de la même façon que la lame de fraise à rainurer. Fermez la porte du logement à lame après avoir installé la lame.

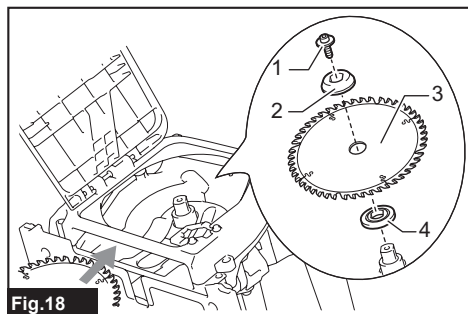


Fig.18

- 1. Boulon hexagonal 2. Bague externe 3. Lame de scie circulaire 4. Bague interne

5. Ajustez la profondeur de coupe en tournant le boulon de réglage de la profondeur.

Garde parallèle (règle de guidage)

Accessoire en option

ATTENTION : N'utilisez pas le garde parallèle avec la lame de fraise à rainurer. N'utilisez le garde parallèle que lorsque vous utilisez l'outil avec la lame de scie circulaire (accessoire en option).

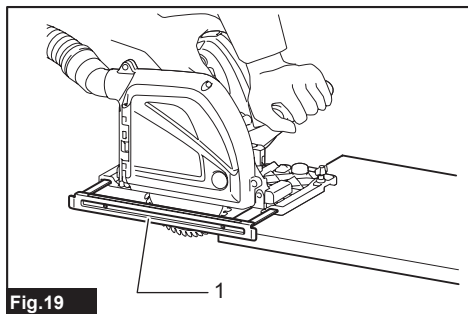


Fig.19

1. Garde parallèle (règle de guidage)

Le garde parallèle, très pratique, vous permet d'effectuer des coupes rectilignes d'une très grande précision. Faites simplement glisser le garde parallèle contre le côté de la pièce et immobilisez-le avec les vis situées à l'avant et à l'arrière de la base. Il permet aussi d'effectuer plusieurs coupes de même largeur. Le garde parallèle (la règle de guidage) fait aussi office de sous-base de l'outil lorsqu'on le fait basculer.

Butée pour une profondeur de coupe de 2 à 3 mm lors de l'utilisation de la lame de scie circulaire (accessoire en option) et du rail-guide (accessoire en option)

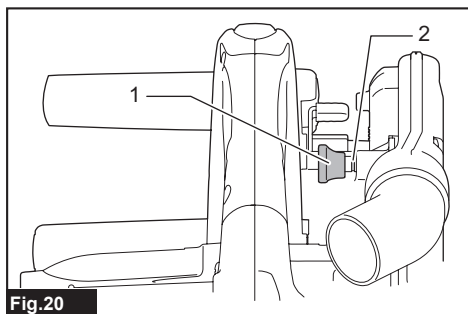


Fig.20

- 1. Butée 2. Marque rouge

Cet outil est équipé d'une butée pour une profondeur de coupe de 2 à 3 mm lors de l'utilisation du rail-guide ; ce bouton se trouve sur le carter d'engrenage, à côté de la poignée arrière. Il est possible d'éviter de faire des éclats sur la pièce en effectuant d'abord une première passe à une profondeur de coupe de 2 à 3 mm, puis une autre passe ordinaire. Poussez d'abord la butée vers la lame de scie circulaire pour obtenir une profondeur de coupe de 2 à 3 mm. Ramenez ensuite le bouton pour une coupe sans réglage de profondeur. Assurez-vous que la butée est libérée et que la marque rouge est visible pour effectuer le rainurage.

Raccordement à un aspirateur

Pour le rainurage, raccordez un aspirateur Makita à votre outil.
Raccordez le tuyau de l'aspirateur à la sortie de poussière.

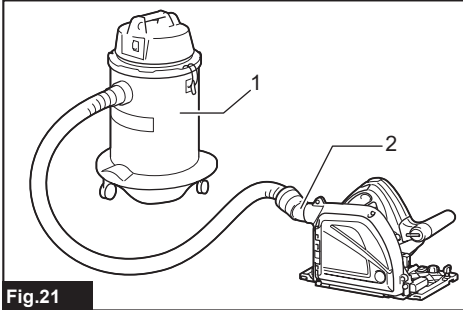


Fig.21

► 1. Aspirateur 2. Sortie de poussière

UTILISATION

ATTENTION : Pendant l'utilisation, tenez toujours fermement l'outil en le saisissant à la fois par la poignée avant et la poignée arrière.

Rail-guide

Accessoire en option

Utilisez toujours le rail-guide pour le rainurage. Placez l'outil sur l'extrémité arrière du rail-guide. Tournez les deux vis de réglage sur la base de l'outil de sorte que l'outil glisse en douceur, sans cliquetis.

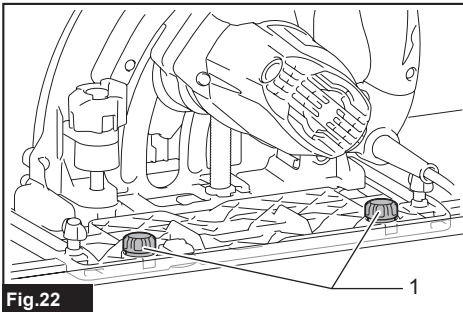


Fig.22

► 1. Vis de réglage

Rainurage

ATTENTION : Assurez-vous de déplacer l'outil doucement vers l'avant, en ligne droite. Le fait de forcer ou de tordre l'outil peut entraîner une surchauffe du moteur et un dangereux recul, risquant de provoquer une blessure grave.

ATTENTION : Ne placez aucune partie du corps sous la base de l'outil lors des coupes en section, et tout particulièrement au début de la coupe. Il y a risque de grave blessure. La lame est exposée sous la base de l'outil.

ATTENTION : Utilisez un protecteur pour la vue afin d'éviter les blessures.

ATTENTION : Pour le rainurage, raccordez toujours un aspirateur à votre outil.

ATTENTION : Tenez l'outil fermement. L'outil est doté d'une poignée avant et d'une poignée arrière. Utilisez les deux pour obtenir une prise optimale sur l'outil. Si vous tenez la scie à deux mains, elles seront à l'abri de la lame.

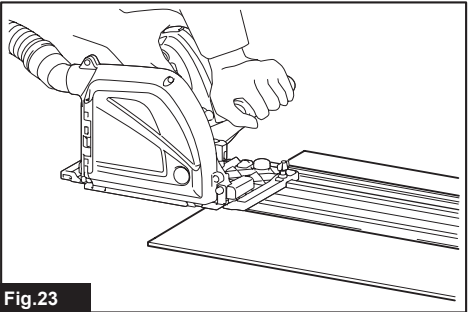


Fig.23

1. Ajustez la profondeur de coupe.
2. Placez l'outil sur le rail-guide.
3. Alignez le rail-guide le long de la ligne de coupe en utilisant la plaque de guidage. Assurez-vous que la lame n'est nullement en contact avec la pièce.
4. Enfoncez le bouton de sécurité, puis mettez l'outil en marche et attendez que la lame tourne à pleine vitesse.
5. Abaissez lentement l'outil jusqu'à la profondeur de coupe préréglée, et déplacez simplement l'outil vers l'avant sur la surface de la pièce, en le gardant à plat et en le faisant progresser doucement jusqu'à ce que la coupe soit terminée.
6. Une fois la coupe terminée, libérez l'interrupteur, attendez l'arrêt de la lame puis retirez l'outil.

Pour obtenir des coupes propres, gardez la ligne de coupe bien droite et faites avancer l'outil à une vitesse constante. Si l'outil dévie de la ligne de coupe désirée, **n'essayez pas de le faire tourner ou de le forcer à retourner dans la ligne de coupe**. La lame risquerait alors de se coincer, ce qui comporte un risque de recul dangereux et de blessure grave.

Coupe en plongée (découpage)

MISE EN GARDE : Pour éviter le recul, vous devez respecter les instructions suivantes.

1. Placez l'outil sur le rail-guide, avec la face arrière de la base de l'outil appuyée contre une butée fixe ou un dispositif équivalent fixé au rail-guide.

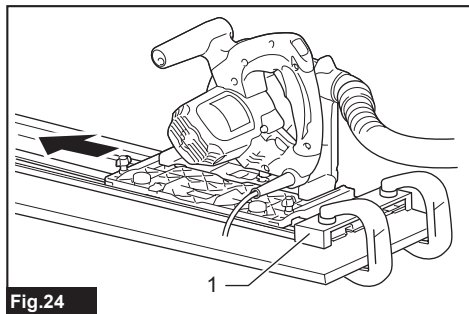


Fig.24

- 1. Butée fixe

2. Tenez l'outil fermement en plaçant une main sur la poignée avant et l'autre sur la poignée de l'outil. Enfoncez le bouton de sécurité, puis mettez l'outil en marche et attendez que la lame tourne à pleine vitesse.
3. Abaissez la tête de scie lentement jusqu'à la profondeur de coupe préréglée, et déplacez l'outil vers l'avant à la position de plongée désirée.

NOTE : La marque triangulaire sur le logement à lame indique approximativement le centre de la lame.

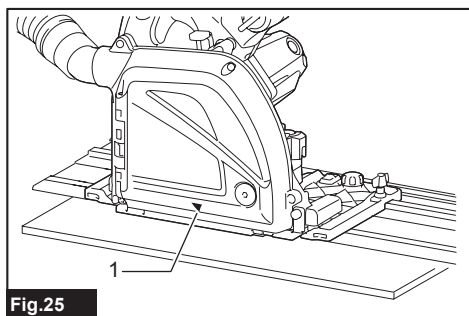


Fig.25

- 1. Marque triangulaire

ENTRETIEN

ATTENTION : Assurez-vous toujours que l'outil est hors tension et débranché avant d'y effectuer tout travail d'inspection ou d'entretien.

ATTENTION : Nettoyez le protecteur pour vérifier l'absence de sciure de bois et de copeaux, car ils peuvent entraver le fonctionnement du système de protection. Un système de protection sale risque de ne pas fonctionner correctement et d'entraîner de graves blessures. La méthode la plus efficace pour effectuer ce nettoyage consiste à utiliser de l'air comprimé. Si la poussière est retirée du protecteur par soufflage, assurez-vous d'utiliser une protection pour les yeux et un masque approprié.

AVIS : N'utilisez jamais d'essence, de benzine, de solvant, d'alcool ou autres produits similaires. Une décoloration, une déformation ou la formation de fissures peuvent en découler.

Remplacement des charbons

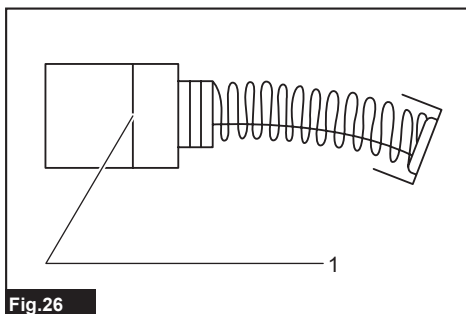


Fig.26

- 1. Trait de limite d'usage

Vérifiez les charbons régulièrement. Remplacez-les lorsqu'ils sont usés jusqu'au trait de limite d'usage. Maintenez les charbons propres et en état de glisser aisément dans les porte-charbon. Les deux charbons doivent être remplacés en même temps. N'utilisez que des charbons identiques.

1. Utilisez un tournevis pour retirer les capuchons de porte-charbon.
2. Enlevez les charbons usés, insérez-en de nouveaux et revissez solidement les capuchons de porte-charbon.

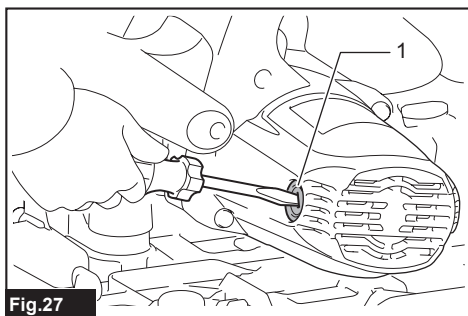


Fig.27

► 1. Capuchon de porte-charbon

Pour maintenir la SÉCURITÉ et la FIABILITÉ du produit, les réparations et tout autre travail d'entretien ou de réglage doivent être effectués dans un centre de service après-vente autorisé ou une usine Makita, exclusivement avec des pièces de rechange Makita.

ACCESSOIRES EN OPTION

⚠ ATTENTION : Ces accessoires ou pièces complémentaires sont recommandés pour l'utilisation avec l'outil Makita spécifié dans ce manuel. L'utilisation de tout autre accessoire ou pièce complémentaire peut comporter un risque de blessure. N'utilisez les accessoires ou pièces complémentaires qu'aux fins auxquelles ils ont été conçus.

Si vous désirez obtenir plus de détails sur ces accessoires, veuillez contacter le centre de service après-vente Makita le plus près.

- Rail-guide
- Lame de fraise à rainurer 90°
- Lame de fraise à rainurer 135°
- Plaque de guidage
- Lame de scie circulaire
- Garde parallèle (Règle de guidage)
- Serre-joint
- Clé hexagonale
- Ensemble de feuilles pour rail-guide
- Ensemble de feuilles de caoutchouc pour rail-guide
- Feuille de position pour rail-guide
- Ensemble de guide de coupe en biseau

NOTE : Certains éléments de la liste peuvent être inclus avec l'outil comme accessoires standards. Ils peuvent varier suivant les pays.

GARANTIE LIMITÉE D'UN AN DE MAKITA

Politique de garantie

Tous les outils Makita sont soigneusement inspectés et mis à l'essai avant de quitter l'usine. Ils sont garantis contre les vices de fabrication et de matériau pour une période d'UN AN suivant la date de l'achat original. Si un problème survient pendant cette période d'un an, retournez l'outil COMPLET, fret payé d'avance, à une usine ou un centre de service après-vente autorisé Makita. S'il ressort de l'inspection que le problème est dû à un vice de fabrication ou de matériau, Makita réparera (ou remplacera, à son gré) l'outil gratuitement. Cette garantie ne s'applique pas dans les cas où :

- des réparations ont été effectuées ou tentées par un tiers;
- des réparations sont nécessaires en raison de l'usure normale;
- l'outil a été malmené, mal utilisé ou non adéquatement entretenu;
- l'outil a subi des modifications.

MAKITA NE SERA EN AUCUN CAS RESPONSABLE DE TOUS DOMMAGES INDIRECTS, ACCESSOIRES OU CONSÉCUTIFS DE LA VENTE OU DE L'UTILISATION DU PRODUIT. CET AVIS DE NON-RESPONSABILITÉ S'APPLIQUE PENDANT ET APRÈS LA PÉRIODE COUVERTE PAR CETTE GARANTIE.

MAKITA DÉCLINE TOUTE RESPONSABILITÉ QUANT À TOUTES GARANTIES IMPLICITES, Y COMPRIS LES GARANTIES DE « QUALITÉ MARCHANDE » OU D'« ADAPTATION À UN USAGE PARTICULIER » APRÈS LA PÉRIODE DE GARANTIE D'UN AN.

Cette garantie vous donne des droits légaux spécifiques, et vous pouvez également avoir d'autres droits qui varient d'une province à l'autre. Certaines provinces n'autorisent pas l'exclusion ou la restriction des dommages accessoires ou consécutifs, il se peut que la restriction ou l'exclusion ci-dessus ne s'applique pas à vous. Certaines provinces n'autorisent pas de restriction quant à la durée des garanties implicites, il se peut que la restriction ci-dessus ne s'applique pas à vous.

ESPECIFICACIONES

Modelo:	CA5000
Especificaciones eléctricas en México	120 V ~ 12 A 50/60 Hz
Diámetro del disco de la ranuradora	118,0 mm (4-5/8")
Diámetro del disco de la sierra circular	165,0 mm (6-1/2")
Profundidad de corte máxima (con disco de la ranuradora)	11,0 mm (7/16")
Profundidad de corte máx. (con disco de la sierra circular)	36,0 mm (1-7/16")
Velocidad sin carga (RPM)	2 200 r/min - 6 400 r/min
Longitud total	346 mm (13-5/8")
Peso neto	5,1 kg (11,3 lbs)

- Debido a nuestro programa continuo de investigación y desarrollo, las especificaciones aquí dadas están sujetas a cambios sin previo aviso.
- Las especificaciones pueden variar de país a país.
- Peso de acuerdo al procedimiento de EPTA 01/2003

Advertencias generales de seguridad para herramientas eléctricas

⚠ ADVERTENCIA: Lea todas las advertencias de seguridad e instrucciones. El no seguir las advertencias e instrucciones indicadas puede ocasionar una descarga eléctrica, un incendio y/o lesiones graves.

Conserve todas las advertencias e instrucciones como referencia en el futuro.

En las advertencias, el término "herramienta eléctrica" se refiere a su herramienta eléctrica de funcionamiento con conexión a la red eléctrica (con cableado eléctrico) o herramienta eléctrica de funcionamiento a batería (inalámbrica).

Seguridad en el área de trabajo

1. **Mantenga el área de trabajo limpia y bien iluminada.** Las áreas oscuras o desordenadas son propensas a accidentes.
2. **No utilice las herramientas eléctricas en atmósferas explosivas, tal como en la presencia de líquidos, gases o polvo inflamables.** Las herramientas eléctricas crean chispas que pueden prender fuego al polvo o los humos.
3. **Mantenga a los niños y curiosos alejados mientras utiliza una herramienta eléctrica.** Las distracciones le pueden hacer perder el control.

Seguridad eléctrica

1. **Las clavijas de conexión de las herramientas eléctricas deberán encajar perfectamente en la toma de corriente. No modifique nunca la clavija de conexión de ninguna forma. No utilice ninguna clavija adaptadora con herramientas eléctricas que tengan conexión a tierra (puesta a tierra).** La utilización de clavijas no modificadas y que encajen perfectamente en la toma de corriente reducirá el riesgo de que se produzca una descarga eléctrica.

2. **Evite tocar con el cuerpo superficies conectadas a tierra o puestas a tierra tales como tubos, radiadores, cocinas y refrigeradores.** Si su cuerpo es puesto a tierra o conectado a tierra existirá un mayor riesgo de que sufra una descarga eléctrica.
3. **No exponga las herramientas eléctricas a la lluvia ni a condiciones húmedas.** La entrada de agua en una herramienta eléctrica aumentará el riesgo de que se produzca una descarga eléctrica.
4. **No maltrate el cable. Nunca utilice el cable para transportar, jalar o desconectar la herramienta eléctrica. Mantenga el cable alejado del calor, aceite, objetos cortantes o piezas móviles.** Los cables dañados o enredados aumentan el riesgo de sufrir una descarga eléctrica.
5. **Cuando utilice una herramienta eléctrica en exteriores, utilice un cable de extensión apropiado para uso en exteriores.** La utilización de un cable apropiado para uso en exteriores reducirá el riesgo de que se produzca una descarga eléctrica.
6. **Si no es posible evitar usar una herramienta eléctrica en condiciones húmedas, utilice un alimentador protegido con interruptor de circuito de falla a tierra (ICFT).** El uso de un ICFT reduce el riesgo de descarga eléctrica.

Seguridad personal

1. **Manténgase alerta, preste atención a lo que está haciendo y utilice su sentido común cuando opere una herramienta eléctrica. No utilice una herramienta eléctrica cuando esté cansado o bajo la influencia de drogas, alcohol o medicamentos.** Un momento de distracción mientras opera las herramientas eléctricas puede terminar en una lesión grave.
2. **Use equipo de protección personal. Póngase siempre protección para los ojos.** El equipo protector tal como máscara contra el polvo, zapatos de seguridad antiderrapantes, casco rígido y protección para oídos utilizado en las condiciones apropiadas reducirá el riesgo de lesiones.

3. **Impida el encendido accidental. Asegúrese de que el interruptor esté en la posición de apagado antes de conectar a la alimentación eléctrica y/o de colocar el cartucho de batería, así como al levantar o cargar la herramienta.** Cargar las herramientas eléctricas con su dedo en el interruptor o enchufarlas con el interruptor encendido hace que los accidentes sean comunes.
4. **Retire cualquier llave de ajuste o llave de apriete antes de encender la herramienta.** Una llave de ajuste o llave de apriete que haya sido dejada puesta en una parte giratoria de la herramienta eléctrica puede ocasionar alguna lesión.
5. **No utilice la herramienta donde no alcance. Mantenga los pies sobre suelo firme y el equilibrio en todo momento.** Esto permite un mejor control de la herramienta eléctrica en situaciones inesperadas.
6. **Use vestimenta apropiada. No use ropas sueltas ni joyas. Mantenga el cabello, la ropa y los guantes alejados de las piezas móviles.** Las prendas de vestir holgadas, las joyas y el cabello suelto podrían engancharse en las piezas móviles.
7. **Si dispone de dispositivos para la conexión de equipos de extracción y recolección de polvo, asegúrese de conectarlos y utilizarlos debidamente.** Hacer uso de la recolección de polvo puede reducir los riesgos relacionados con el polvo.
4. **Guarde la herramienta eléctrica que no use fuera del alcance de los niños y no permita que las personas que no están familiarizadas con ella o con las instrucciones la operen.** Las herramientas eléctricas son peligrosas en manos de personas que no saben operarlas.
5. **Realice el mantenimiento a las herramientas eléctricas. Compruebe que no haya partes móviles desalineadas o estancadas, piezas rotas y cualquier otra condición que pueda afectar al funcionamiento de la herramienta eléctrica. Si la herramienta eléctrica está dañada, haga que se la reparen antes de utilizarla.** Muchos accidentes son ocasionados por herramientas eléctricas con mantenimiento inadecuado.
6. **Mantenga las herramientas de corte limpias y filosas.** Si recibe un mantenimiento adecuado y tiene los bordes afilados, es probable que la herramienta se atasque menos y sea más fácil controlarla.
7. **Utilice la herramienta eléctrica, los accesorios y las brocas de acuerdo con estas instrucciones, considerando las condiciones laborales y el trabajo a realizar.** Si utiliza la herramienta eléctrica para realizar operaciones distintas de las indicadas, podrá presentarse una situación peligrosa.

Servicio

1. **Haga que una persona calificada repare la herramienta eléctrica utilizando sólo piezas de repuesto idénticas.** Esto asegura que se mantenga la seguridad de la herramienta eléctrica.
2. **Siga las instrucciones para la lubricación y cambio de accesorios.**
3. **Mantenga las agarraderas secas, limpias y sin aceite o grasa.**

UTILICE CABLES DE EXTENSIÓN APROPIADOS. Asegúrese de que su cable de extensión esté en buenas condiciones. Cuando utilice un cable de extensión, asegúrese de utilizar uno del calibre suficiente para conducir la corriente que demande el producto. Un cable de calibre inferior ocasionará una caída en la tensión de línea y a su vez una pérdida de potencia y sobrecalentamiento. La tabla 1 muestra la medida correcta a utilizar dependiendo de la longitud del cable y el amperaje nominal indicado en la placa de características. Si no está seguro, utilice el siguiente calibre más alto. Cuanto menor sea el número de calibre, más corriente podrá conducir el cable.

Tabla 1: Calibre mínimo para el cable

Amperaje nominal		Voltios	Longitud total del cable en metros			
			7 m (25 ft.)	15 m (50 ft.)	30 m (100 ft.)	45,7 m (150 ft.)
120 V ~						
220 V ~ - 240 V ~		15 m (50 ft.)	30 m (100 ft.)	60,9 m (200 ft.)	91,4 m (300 ft.)	
Más de	No más de	Calibre del cable (AWG)				
0 A	6 A	–	18	16	16	14
6 A	10 A		18	16	14	12
10 A	12 A		16	16	14	12
12 A	16 A		14	12	No se recomienda	

Uso pretendido

Esta herramienta está especialmente diseñada para ranurar paneles compuestos hechos de aluminio, plástico, plástico con contenido mineral y materiales similares.

La herramienta se puede usar para serrar madera si está equipada con el disco de la sierra circular adecuado. La herramienta también sirve para cortar aluminio, pero sólo si está equipada con la cuchilla apropiada.

Advertencias de seguridad para la sierra circular

Procedimientos de corte

1. **⚠ PELIGRO:** Mantenga las manos alejadas del área de corte y del disco. Mantenga su segunda mano sobre el mango auxiliar o sobre la carcasa del motor. Si ambas manos sujetan la sierra no pueden sufrir cortes del disco.
2. **Nunca meta la mano por debajo de la pieza de trabajo.** El protector no puede protegerle del disco debajo de la pieza de trabajo.
3. **Ajuste la profundidad de corte al grosor de la pieza de trabajo.** Debe verse menos de un diente completo por debajo de la pieza de trabajo.
4. **Nunca sujete la pieza que se está cortando con las manos ni entre las piernas. Fije la pieza de trabajo a una plataforma estable.** Es importante sujetar la pieza de trabajo correctamente para minimizar la exposición del cuerpo, el estancamiento del disco o la pérdida de control.

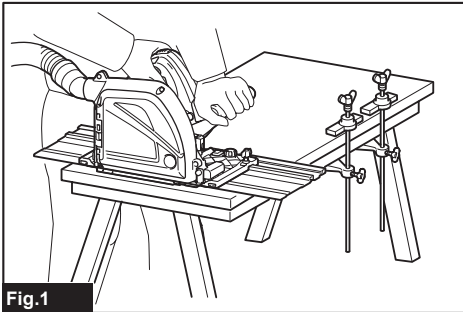


Fig.1

5. **Sujete la herramienta eléctrica sólo por las superficies de agarre aisladas al realizar una operación en la que la herramienta de corte pueda entrar en contacto con cables ocultos o con su propio cable.** Si entra en contacto con un cable con corriente, las piezas metálicas expuestas de la herramienta eléctrica se cargarán también de corriente y el operario puede recibir una descarga.
6. **Cuando realice un corte longitudinal, utilice siempre un tope lateral de corte o una guía de borde recto.** Esto mejora la precisión del corte y reduce la posibilidad de que el disco se atasque.
7. **Utilice siempre discos con orificios de husillo del tamaño y la forma (poligonal o redonda) correctos.** Los discos que no encajen con las piezas de montaje de la sierra girarán excéntricamente y producirán una pérdida de control.

8. **Nunca utilice arandelas o pernos de disco dañados o incorrectos.** El perno y las arandelas del disco se han diseñado específicamente para su sierra, para una seguridad y un rendimiento óptimos.

Causas de los retrocesos bruscos y advertencias relacionadas

- Un retroceso brusco es una reacción repentina provocada por un disco aprisionado, estancado o mal alineado, que hace que una sierra se levante de forma incontrolada y se aleje de la pieza de trabajo hacia el operador;
- cuando el disco está aprisionado o estancado por la entalladura al cerrarse, se atasca y la reacción del motor empuja la unidad rápidamente hacia atrás, hacia el operador;
- si el disco se retuerce o está mal alineado en el corte, los dientes del borde posterior del disco pueden clavarse en la superficie posterior de la madera, haciendo que el disco escale la línea de corte y salte hacia el operador.

El retroceso brusco es el resultado de un mal uso de la sierra y/o de condiciones o procedimientos de uso incorrectos y se puede evitar tomando las precauciones que se indican a continuación.

1. **Sujete la sierra firmemente con las dos manos y coloque sus brazos de forma que ofrezcan resistencia a la fuerza del retroceso brusco. Coloque su cuerpo hacia cualquiera de los lados del disco, pero no en línea con él.** El retroceso brusco puede provocar que la sierra salte hacia atrás; no obstante, el operador puede controlar la fuerza del retroceso brusco si toma las precauciones adecuadas.
2. **Cuando note que el disco se atora, o cuando quiera interrumpir un corte por cualquier razón, suelte el gatillo y mantenga la sierra inmóvil en el material hasta que el disco se pare completamente. No intente nunca extraer la sierra de la pieza de trabajo ni tirar de la sierra hacia atrás mientras el disco esté moviéndose porque podrá ocasionar un retroceso brusco.** Investigue y tome medidas correctivas para eliminar la causa del atoramiento del disco.
3. **Cuando vuelva a poner en marcha la sierra sobre la pieza de trabajo, centre el disco de la sierra en la entalladura y compruebe que sus dientes no estén en contacto con el material.** Si el disco de la sierra se trava, podrá haber un retroceso brusco o un avance en la pieza al reiniciar la sierra.
4. **Sujete los paneles grandes para minimizar el riesgo de que el disco se estanque y dé un retroceso brusco.** Los paneles grandes tienden a hundirse bajo su propio peso. Deben colocarse soportes bajo el panel en ambos lados, cerca de la línea de corte y del borde del panel.

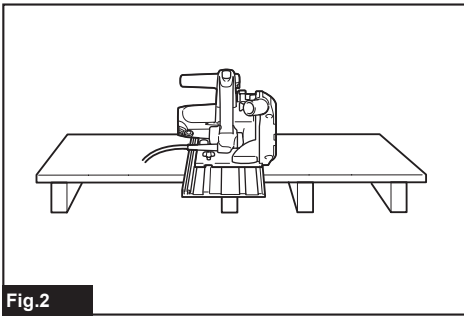


Fig.2

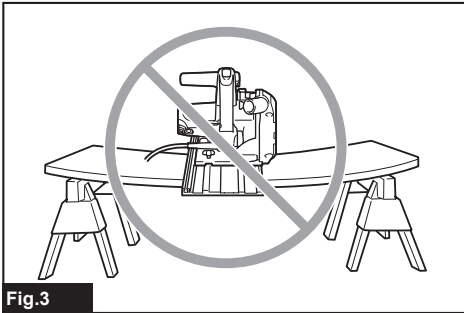


Fig.3

5. **No utilice discos dañados o desafilados.** Los discos colocados incorrectamente o desafilados producen un corte más angosto y causan una fricción excesiva, que el disco se doble y retrocesos bruscos.
6. **Las palancas de fijación de los ajustes de profundidad y de bisel del disco deben ser apretadas y aseguradas antes de realizar el corte.** Si el ajuste del disco cambia durante el corte, podrá ocasionar un atoramiento y retroceso brusco.
7. **Tenga especial cuidado cuando realice cortes con sierra en paredes existentes u otras áreas ciegas.** El disco protuberante puede cortar objetos que pueden provocar retrocesos bruscos.
8. **SIEMPRE sostenga firmemente la herramienta con ambas manos. NUNCA coloque su mano, pierna ni cualquier parte de su cuerpo debajo de la base de la herramienta ni detrás de la sierra, especialmente al hacer cortes longitudinales.** Si se llega a dar un retroceso brusco, la herramienta podría fácilmente saltar hacia atrás sobre su mano, ocasionando lesiones personales graves.

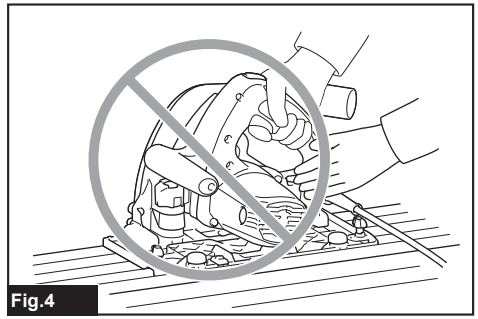


Fig.4

9. **Nunca fuerce la sierra. Empuje la sierra hacia adelante a una velocidad a la que el disco corte sin desacelerarse.** Forzar la sierra durante el corte puede producir cortes desiguales, perder precisión y posiblemente generar un retroceso brusco.

Función del protector

1. **Compruebe si el protector está bien cerrado antes de cada uso. No utilice la sierra si el protector no se mueve libremente ni cubre instantáneamente el disco. Nunca sujete ni mantenga el protector de tal forma que el disco quede expuesto.** Si la sierra cae accidentalmente, el protector puede doblarse. Compruebe para asegurarse que el protector se mueve libremente y que no haga contacto con el disco ni con ninguna otra parte en todos los ángulos y profundidades de corte.
2. **Verifique el funcionamiento y condición del resorte de retorno del protector. Si el protector y el resorte no funcionan correctamente, deben repararse antes de utilizar la herramienta.** Puede que el protector funcione con lentitud debido a partes dañadas, depósitos de goma o acumulación de residuos.
3. **Asegure que la placa guía de la sierra no se mueva o cambie mientras se realice el "corte de cavidad" cuando el ajuste de biselado del disco no está en 90°.** El movimiento hacia los lados del disco causará que la herramienta se atasque y sea propensa a causar un retroceso brusco.
4. **Compruebe siempre que el protector cubra el disco antes de colocar la sierra sobre un banco o en el suelo.** Un disco sin protector que gire por inercia, puede hacer que la sierra se desplace hacia atrás, cortando lo que esté en su camino. Esté alerta del tiempo que le lleva al disco detenerse después de liberar el interruptor.

Advertencias de seguridad adicionales

1. **Proceda con extrema precaución al cortar madera húmeda, tratada a presión o con nudos.** Mantenga un avance suave de la herramienta sin reducir la velocidad del disco para evitar el sobrecalentamiento de las puntas del mismo.
2. **No intente retirar material cortado cuando el disco se está moviendo. Espere hasta que el disco se detenga antes de recoger el material cortado.** Los discos siguen girando por inercia después de apagar la herramienta.

3. Evite cortar clavos. Inspeccione la madera y quite todos los clavos antes de realizar el corte.
4. Coloque la parte más ancha de la base de la sierra sobre la pieza de trabajo que está sujeta firmemente, no sobre la sección que caerá cuando se realice el corte. Si la pieza de trabajo es corta o pequeña, fijela. ¡NO INTENTE SUJETAR PIEZAS PEQUEÑAS CON LA MANO!

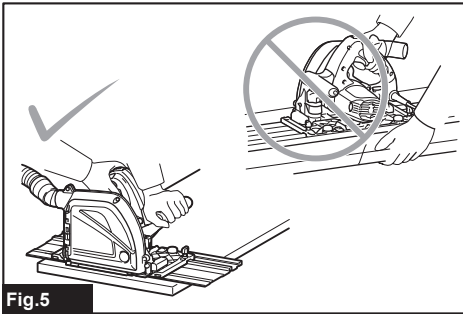


Fig. 5

5. Antes de depositar la herramienta tras realizar un corte, asegúrese de que el protector esté cerrado y de que el disco se haya detenido por completo.
6. Nunca intente serrar con la sierra circular boca arriba en una prensa. Es extremadamente peligroso y puede conllevar accidentes graves.

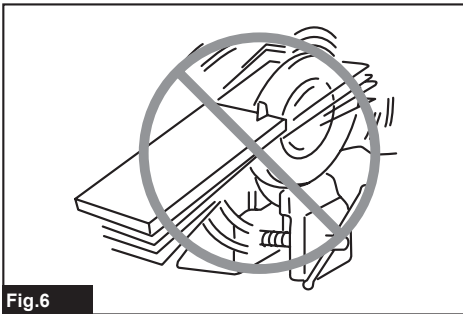


Fig. 6


7. Algunos materiales contienen sustancias químicas que pueden ser tóxicas. Tome precauciones para evitar la inhalación de polvo o que éste tenga contacto con la piel. Consulte la hoja de seguridad del proveedor de los materiales.
8. No detenga el disco de la sierra mediante presión lateral sobre el mismo.
9. No use ningún disco abrasivo.
10. Use solamente un disco de la sierra cuyo diámetro esté marcado en la herramienta o especificado en el manual. El uso de un disco de la sierra de tamaño inadecuado puede afectar la protección del disco o del protector en sí, lo cual podría ocasionar lesiones graves al operador.
11. Mantenga el disco afilado y limpio. La cola y la resina de madera endurecidas en el disco frenan la sierra y aumentan las posibilidades de que se produzcan retrocesos bruscos. Mantenga limpio el disco quitándolo primero de la herramienta y limpiándolo con eliminador de resina y goma, agua caliente o queroseno. Nunca utilice gasolina.
12. Utilice una máscara antipolvo y protección para los oídos cuando utilice la herramienta.

GUARDE ESTAS INSTRUCCIONES.

⚠ADVERTENCIA: NO DEJE que la comodidad o familiaridad con el producto (a base de utilizarlo repetidamente) sustituya la estricta observancia de las normas de seguridad para dicho producto. El MAL USO o el no seguir las normas de seguridad establecidas en este manual de instrucciones puede ocasionar lesiones personales graves.

Símbolos

A continuación se muestran los símbolos utilizados para la herramienta.

V	volts o voltios
A	amperes
Hz	hertz
~	corriente alterna
n ₀	velocidad sin carga
	Construcción clase II
.../min	revoluciones o alternaciones por minuto,
r/min	frecuencia de rotación

DESCRIPCIÓN DEL FUNCIONAMIENTO

⚠PRECAUCIÓN: Asegúrese siempre de que la herramienta esté apagada y desconectada antes de ajustar o comprobar cualquier función en la herramienta.

Freno rápido para el ranurado de paneles con un grosor de 3, 4 ó 6 mm

Al girar el freno rápido, se puede elegir la profundidad apropiada del ranurado para paneles con un grosor de 3, 4 ó 6 mm rápidamente.

El número, visto desde el lado de la empuñadura, indica el grosor del panel de la pieza de trabajo. Para ajustar adecuadamente la profundidad de la ranura, utilice la perilla de ajuste de profundidad.

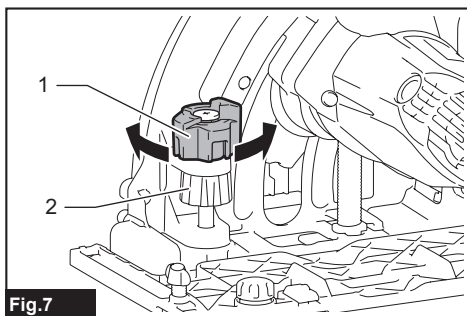


Fig.7

- 1. Freno rápido 2. Perilla de ajuste de profundidad

La herramienta es enviada de fábrica con un ajuste apropiado de profundidad de 0 mm; si usted utiliza la perilla de ajuste para cambiar la profundidad, redefina la profundidad de 0 mm como sigue:

1. Ajuste el freno rápido a 0 mm.
2. Gire la perilla de ajuste de profundidad para establecer la profundidad.
3. Asegúrese de que el disco no haga contacto con la pieza de trabajo.
4. Sujete la herramienta firmemente con una mano en el mango delantero y la otra sobre la empuñadura de la herramienta. Oprima el botón de desbloqueo y encienda la herramienta.
5. Lentamente, presione hasta abajo la cabeza de la sierra y compruebe que el disco de la ranuradora no haga contacto con la pieza de trabajo sino que más bien casi la toque. Si no es así, detenga la herramienta y espere hasta que el disco de la ranuradora se pare por completo, luego ajuste la profundidad girando nuevamente la perilla de ajuste de profundidad.

Ajuste de la profundidad de corte

Para ajustar la profundidad de corte, gire la perilla de ajuste de profundidad.

Para un corte más profundo, gírela en el sentido de las manecillas del reloj. Para un corte menos profundo, gírela en sentido inverso al de las manecillas del reloj.

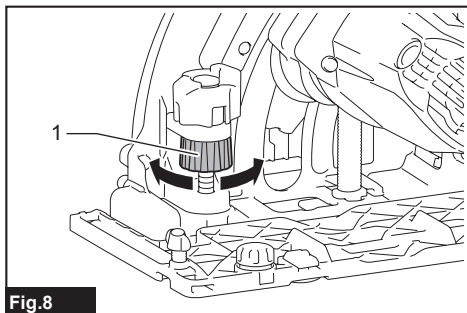


Fig.8

1. Perilla de ajuste de profundidad

Guía visual

La marca triangular en la base indica el centro del disco de la ranuradora.

Cuando se utilice el disco de la ranuradora, alinee la marca triangular externa con la línea de corte.

Cuando utilice el disco de la sierra circular (accesorio opcional), alinee la marca triangular interna con la línea de corte.

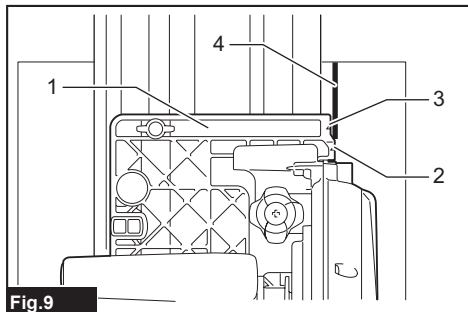


Fig.9

- 1. Base 2. Marca triangular externa 3. Marca triangular interna 4. Línea de corte

Accionamiento del interruptor

⚠PRECAUCIÓN: Antes de conectar la herramienta, compruebe siempre que el gatillo interruptor se accione debidamente y que regrese a la posición de apagado (OFF) cuando se libere.

Se proporciona un botón de desbloqueo a fin de evitar que el gatillo interruptor sea activado accidentalmente. Para encender la herramienta, presione el botón de desbloqueo y jale el gatillo interruptor. Para detenerla, suelte el gatillo interruptor.

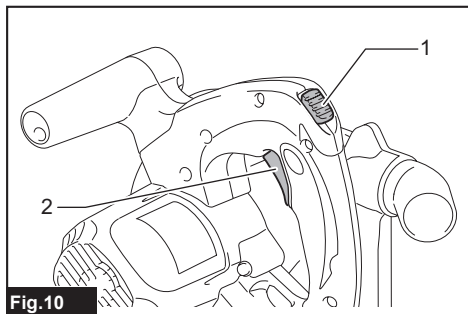


Fig.10

- 1. Botón de desbloqueo 2. Gatillo interruptor

Dial de ajuste de velocidad

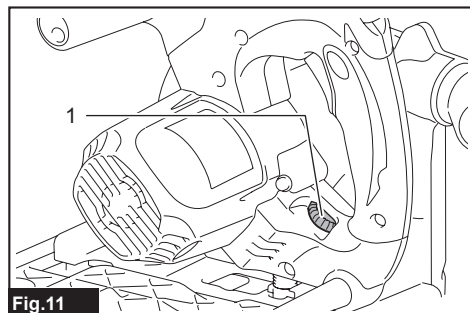
⚠️ PRECAUCIÓN: El dial de ajuste de velocidad no es para usarse con discos diseñados para velocidades bajas, sino para conseguir una velocidad que sea apropiada para el material de la pieza de trabajo. Use solamente discos que sean clasificados para una velocidad máxima sin carga de trabajo de por lo menos la que se indica en las ESPECIFICACIONES.

⚠️ PRECAUCIÓN: El dial de ajuste de velocidad sólo se puede subir hasta 6 y bajar hasta 1. No lo fuerce más allá de 6 ó 1 o de lo contrario la función de ajuste de velocidad podría arruinarse.

La velocidad de la herramienta puede ajustarse al girar el dial de ajuste. Una mayor velocidad se obtiene al girar el dial en la dirección del número 6, y una menor velocidad se obtiene al girarlo en la dirección del número 1.

Consulte la tabla para seleccionar la velocidad adecuada para la pieza de trabajo que debe cortar. Sin embargo, la velocidad adecuada puede variar según el grosor o tipo de la pieza de trabajo. En general, emplear una velocidad mayor le permitirá cortar la pieza de trabajo más rápidamente, pero reducirá la vida útil del disco.

Número	r/min
1	2 200
2	2 700
3	3 800
4	4 900
5	6 000
6	6 400



► 1. Dial de ajuste de velocidad

Placa guía

Para alinear el carril guía (accesorio opcional) con la línea de corte, utilice la placa guía.

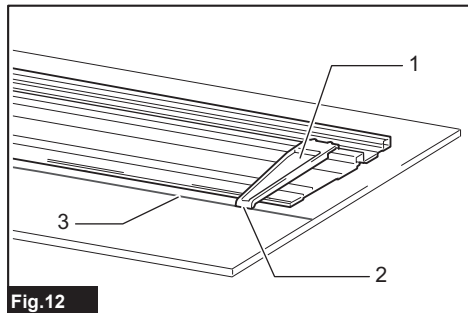


Fig.12

► 1. Placa guía 2. Borde de la placa 3. Línea de corte

1. Coloque la placa guía en el carril guía cerca del punto inicial de corte. El borde de la placa representa el centro del disco de la ranuradora. Alinee el borde de la placa con la línea de corte.

2. Luego, coloque nuevamente la placa guía en el carril guía cerca del punto final de corte. Y vuelva a alinear el borde de la placa con la línea de corte.

Otras características

Las herramientas equipadas con función electrónica son fáciles de utilizar gracias a las siguientes características.

Protector de sobrecarga

Cuando la carga en la herramienta excede los niveles admisibles, el suministro de energía al motor se reduce para proteger al motor de un sobrecalentamiento. Cuando la carga regresa a los niveles admisibles, la herramienta funcionará de manera normal.

Control de velocidad constante

Control electrónico de velocidad para obtener una velocidad constante. Es posible obtener un buen acabado, dado que la velocidad de giro se mantiene constante incluso en condiciones de carga.

Función de inicio suave

Inicio suave gracias a la supresión del golpe de arranque.

MONTAJE

⚠PRECAUCIÓN: Asegúrese siempre de que la herramienta esté apagada y desconectada antes de realizar cualquier trabajo en la misma.

Almacenamiento de la llave Allen (hexagonal)

La llave hexagonal se almacena en la herramienta. Para extraer la llave hexagonal, sólo júlela. Para guardar la llave hexagonal, colóquela sobre el mango e insértele hasta el fondo.

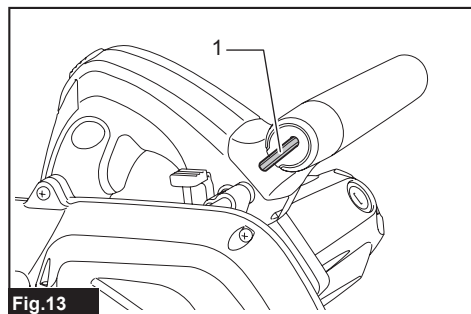


Fig.13

► 1. Llave Allen (hexagonal)

Extracción o instalación del disco de la ranuradora

⚠PRECAUCIÓN: No use discos que no cumplan con las características especificadas en estas instrucciones.

⚠PRECAUCIÓN: Use solamente discos que sean clasificados para una velocidad máxima sin carga de trabajo de por lo menos la que se indica en las ESPECIFICACIONES.

⚠PRECAUCIÓN: Asegúrese de que el disco esté instalado con los dientes orientados hacia arriba en la parte delantera de la herramienta.

⚠PRECAUCIÓN: Utilice solamente la llave Makita para instalar o desmontar el disco.

Para retirar el disco de la ranuradora, siga los pasos siguientes:

1. Recueste la herramienta de manera que la carcasa del motor y la base toquen el suelo. Luego inserte la llave Allen en el orificio hexagonal, empujela hacia adentro y abra la compuerta de la caja del disco girando la llave Allen.

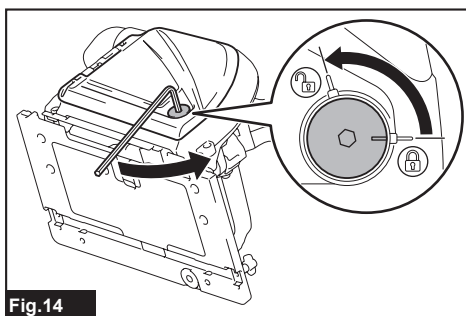


Fig.14

2. Oprima el bloqueo del eje por completo para impedir que el disco gire y use la llave Allen para aflojar el perno hexagonal en sentido inverso al de las manecillas del reloj.

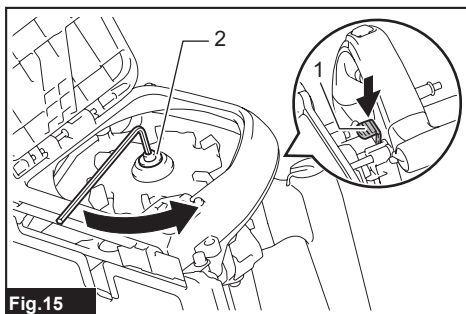


Fig.15

► 1. Bloqueo del eje 2. Perno hexagonal

3. Retire el perno hexagonal, así como la brida exterior y el disco.

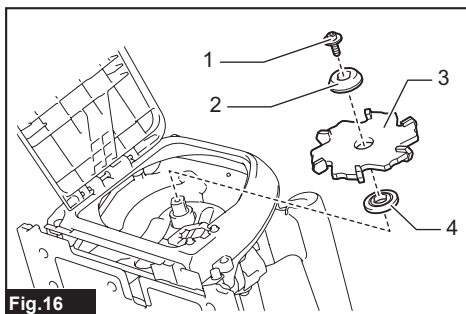


Fig.16

► 1. Perno hexagonal 2. Brida exterior 3. Disco de la ranuradora 4. Brida interior

Para instalar el disco, siga el procedimiento de extracción a la inversa. **Asegúrese de apretar firmemente el perno hexagonal en el sentido de las manecillas del reloj.** Luego cierre la compuerta de la caja del disco una vez instalado el disco.

Cuando cambie el disco, asegúrese también de limpiar el aserrín y las astillas acumuladas en el protector, tal como se indica en la sección de Mantenimiento. Dicha acción no reemplaza la necesidad de revisar el protector antes de cada uso.

Uso del disco de la sierra circular

Accesorio opcional

⚠PRECAUCIÓN: No instale la falda al usar un disco de la sierra circular. De lo contrario, el disco de la sierra circular golpeará la falda y dañará la herramienta.

Para instalar el disco de la sierra circular (accesorio opcional), siga los pasos siguientes:

1. Retire los dos pernos y extraiga la falda.

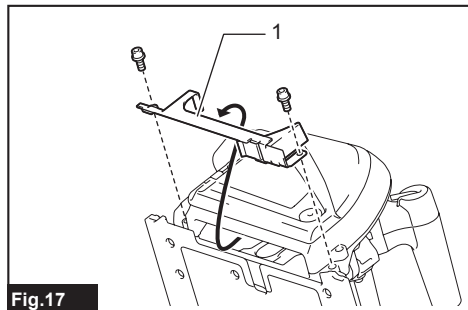


Fig.17

- 1. Falda

2. Retire el disco de la ranuradora.
3. Deslice el disco de la sierra circular a través de la abertura cubierta por la falda.
4. Instale el disco de la sierra circular de la misma forma que el disco de la ranuradora. Luego cierre la compuerta de la caja del disco una vez instalado el disco.

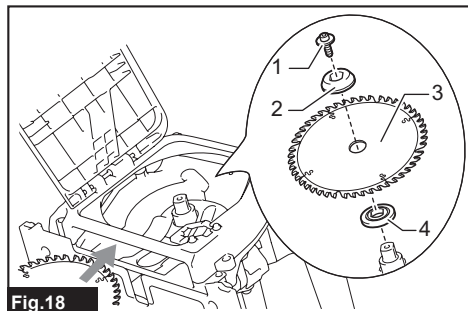


Fig.18

- 1. Perno hexagonal 2. Brida exterior 3. Disco de la sierra circular 4. Brida interior

5. Ajuste la profundidad de corte girando la perilla de ajuste de profundidad.

Tope lateral de corte (regla de guía)

Accesorio opcional

⚠PRECAUCIÓN: No utilice el tope lateral de corte con el disco de la ranuradora. Utilice únicamente el tope lateral de corte cuando use la herramienta con el disco de la sierra circular (accesorio opcional).

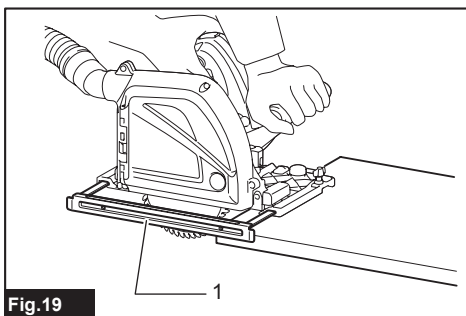


Fig.19

1. Tope lateral de corte (regla de guía)

El conveniente tope lateral de corte le permite realizar cortes rectos con precisión adicional. Simplemente deslice el tope lateral de corte para que quede ajustado contra el costado de la pieza de trabajo y fíjelo con los tornillos en la parte frontal y trasera de la base. También permite la repetición de cortes de anchura uniforme. Girar excesivamente el tope lateral de corte (regla de guía) también sirve como una base inferior para la herramienta.

Tope para una profundidad de corte de 2 a 3 mm al usar un disco de la sierra circular (accesorio opcional) y el carril guía (accesorio opcional)

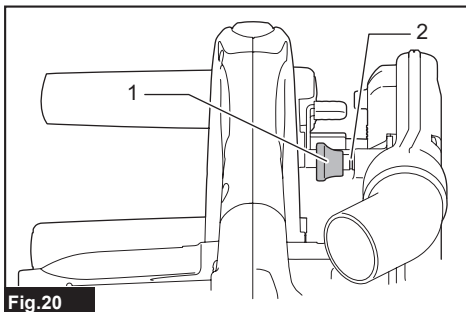


Fig.20

- 1. Tope 2. Marca roja

Esta herramienta cuenta con un tope para una profundidad de corte de 2 a 3 mm sobre la carcasa del motor a un lado de la empuñadura trasera al usar el carril guía. Para evitar que la pieza de trabajo se astille o cuartee, haga una pasada de corte de 2 a 3 mm primero, y luego otra pasada para el corte habitual.

Primero, empuje el tope hacia el disco de la sierra circular para obtener una profundidad de corte de 2 a 3 mm.

Luego jale el botón hacia atrás para realizar una profundidad de corte libre.

Asegúrese de que el tope se haya liberado y que la marca roja pueda verse para la operación de ranurado.

Conexión de un aspirador

Para operaciones de ranurado, conecte un aspirador Makita a su herramienta.

Conecte la manguera del aspirador al puerto de salida de polvo.

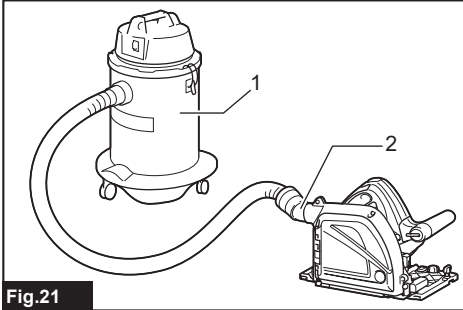


Fig.21

► 1. Aspirador 2. Puerto de salida de polvo

OPERACIÓN

PRECAUCIÓN: Use siempre el mango delantero y la empuñadura trasera y sujete firmemente la herramienta de estas dos partes durante las operaciones.

Carril guía

Accesorio opcional

Utilice siempre el carril guía para la operación de ranurado.

Coloque la herramienta sobre el extremo trasero del carril guía.

Gire los dos tornillos de ajuste sobre la base de la herramienta de tal forma que ésta se deslice suave y libremente.

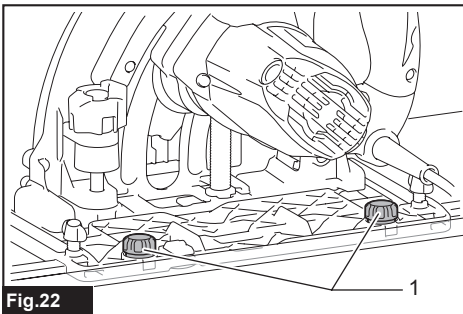


Fig.22

► 1. Tornillos de ajuste

Ranurado

PRECAUCIÓN: Asegúrese de mover la herramienta hacia delante en línea recta y suavemente. El forzar o torcer la herramienta producirá un sobrecalentamiento del motor y un peligroso retroceso brusco, causando posibles lesiones graves.

PRECAUCIÓN: Nunca acerque alguna parte de su cuerpo por debajo de la base de la herramienta durante el corte de sección, especialmente al inicio. El hacerlo puede causar lesiones personales graves. El disco queda expuesto bajo la base de la herramienta.

PRECAUCIÓN: Use protección para los ojos para evitar lesiones.

PRECAUCIÓN: Para operaciones de ranurado, siempre conecte la herramienta a un aspirador.

PRECAUCIÓN: Sujete la herramienta firmemente. La herramienta está provista de un mango delantero y una empuñadura trasera. Utilice ambos para una mejor sujeción de la herramienta. Si ambas manos están sujetando la sierra, éstas no podrán sufrir ninguna cortadura por el disco.

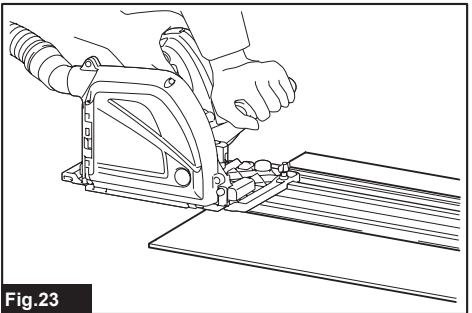


Fig.23

1. Ajuste la profundidad de corte.
2. Coloque la herramienta en el carril guía.
3. Alinee el carril guía a lo largo de la línea de corte usando la placa guía. Asegúrese de que el disco no haga contacto con la pieza de trabajo.
4. Oprima el botón de desbloqueo y encienda la herramienta, y espere hasta que el disco alcance su velocidad completa.
5. Presione lentamente la herramienta hasta la profundidad de corte predeterminada y simplemente muévala hacia adelante sobre la superficie de la pieza de trabajo, manteniéndola horizontal y avanzando suavemente hasta finalizar el corte.
6. Una vez finalizado el corte, libere el interruptor, espere a que el disco se detenga y después retire la herramienta.

Para obtener cortes limpios, mantenga su línea de corte recta y la velocidad de avance uniforme. Si el corte no logra seguir la línea de corte pretendida, **no intente girar ni forzar la herramienta hacia la línea de corte.** El hacerlo podría atascar el disco y ocasionar un retroceso brusco causando posibles lesiones graves.

Corte de inmersión (Recorte)

⚠️ ADVERTENCIA: Para evitar un retroceso brusco, asegúrese de seguir las siguientes instrucciones.

1. Coloque la herramienta en el carril guía con el borde trasero de la base de la herramienta contra un tope fijo o equivalente el cual se encuentra sujetado sobre el carril guía.

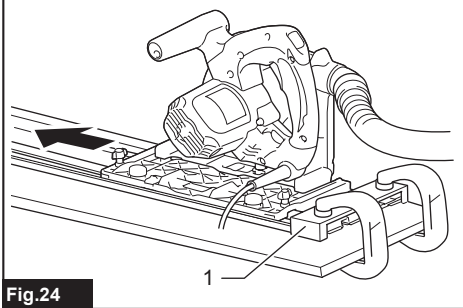


Fig.24

- 1. Tope fijo

2. Sujete la herramienta firmemente con una mano en el mango delantero y la otra sobre la empuñadura de la herramienta. Oprima el botón de desbloqueo y encienda la herramienta, y espere hasta que el disco alcance su velocidad completa.
3. Presione lentamente la cabeza de la sierra hasta la profundidad de corte predeterminada y mueva la herramienta hacia adelante hasta la posición de inmersión deseada.

NOTA: La marca triangular en la caja del disco muestra el centro aproximado del disco.

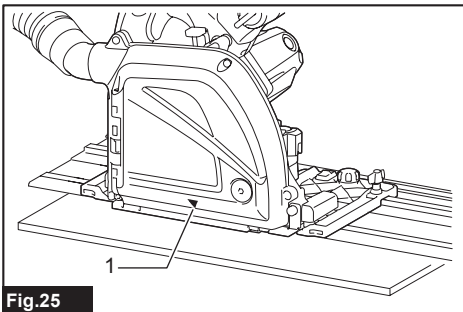


Fig.25

- 1. Marca triangular

MANTENIMIENTO

⚠️ PRECAUCIÓN: Asegúrese siempre de que la herramienta esté apagada y desconectada antes de intentar realizar una inspección o mantenimiento.

⚠️ PRECAUCIÓN: Limpie el protector para asegurarse de que no haya aserrín y astillas acumuladas que puedan impedir la operación del sistema de protección. Un sistema de protección sucio puede limitar la operación adecuada y ocasionar lesiones personales graves. La forma más eficaz de lograr esto es limpiando con aire comprimido. Si se utiliza aire para eliminar el aserrín del protector, asegúrese de llevar una protección adecuada en los ojos así como un respirador.

AVISO: Nunca use gasolina, bencina, diluyente (tiner), alcohol o sustancias similares. Puede que esto ocasione grietas o descoloramiento.

Reemplazo de las escobillas de carbón

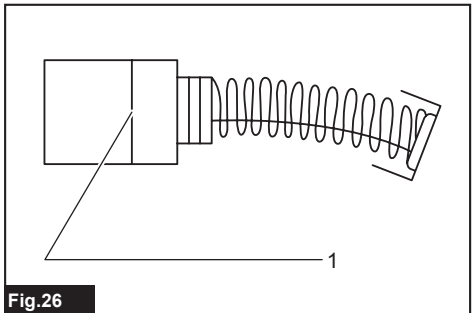


Fig.26

- 1. Marca límite

Inspeccione regularmente las escobillas de carbón. Reemplácelas una vez que se hayan desgastado hasta la marca límite. Mantenga las escobillas de carbón limpias de forma que entren libremente en los portaescobillas. Ambas escobillas de carbón deberán ser reemplazadas al mismo tiempo. Utilice únicamente escobillas de carbón idénticas.

1. Utilice un destornillador para quitar las tapas del portaescobillas.
2. Extraiga las escobillas de carbón desgastadas, inserte las nuevas y vuelva a colocar las tapas del portaescobillas.

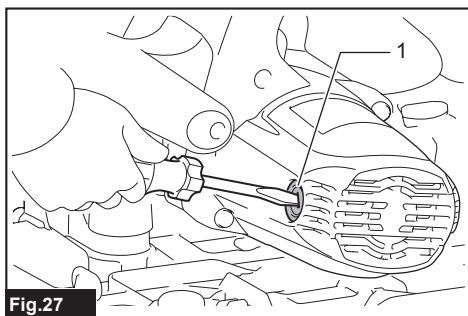


Fig.27

► 1. Tapa del portaescobillas

Para mantener la SEGURIDAD y FIABILIDAD del producto, las reparaciones, y cualquier otra tarea de mantenimiento o ajuste deberán ser realizadas en centros de servicio autorizados o de fábrica Makita, empleando siempre repuestos Makita.

ACCESORIOS OPCIONALES

⚠ PRECAUCIÓN: Estos accesorios o aditamentos están recomendados para utilizarse con su herramienta Makita especificada en este manual.

El empleo de cualquier otro accesorio o aditamento puede conllevar el riesgo de lesiones personales. Utilice los accesorios o aditamentos solamente para su fin establecido.

Si necesita cualquier ayuda para más detalles en relación con estos accesorios, pregunte a su centro de servicio local Makita.

- Carril guía
- Disco de la ranuradora de 90°
- Disco de la ranuradora de 135°
- Placa guía
- Disco de la sierra circular
- Tope lateral de corte (regla de guía)
- Pinza
- Llave Allen (hexagonal)
- Juego de hojas para el carril guía
- Juego de hojas de hule para el carril guía
- Hoja de posición para el carril guía
- Juego de guías de biselado

NOTA: Algunos de los artículos en la lista pueden incluirse en el paquete de la herramienta como accesorios estándar. Éstos pueden variar de país a país.

GARANTÍA LIMITADA DE UN AÑO DE MAKITA

Ésta Garantía no aplica para México Política de garantía

Cada herramienta Makita es inspeccionada y probada exhaustivamente antes de salir de la fábrica. Se garantiza que está libre de defectos de mano de obra y materiales por el período de UN AÑO a partir de la fecha original de compra. Si durante este período de un año se desarrollara algún problema, devuelva la herramienta COMPLETA, con el envío prepagado, a un centro de servicio autorizado o de fábrica Makita. Si la inspección muestra que el problema ha sido a causa de un defecto de mano de obra o material, Makita hará la reparación (o a su discreción, el reemplazo) sin ningún cargo. Esta garantía no aplica cuando:

- las reparaciones se hayan hecho o intentado hacer por otros;
- se requieran reparaciones debido al desgaste normal;
- la herramienta haya sido maltratada, recibido un mal uso o haya recibido un mantenimiento inapropiado;
- se hayan hecho modificaciones a la herramienta.

EN NINGÚN CASO MAKITA SE HARÁ RESPONSABLE DE NINGÚN DAÑO INDIRECTO, INCIDENTAL, O DERIVADO DE LA VENTA O USO DEL PRODUCTO. ESTE DESCARGO DE RESPONSABILIDAD APLICA DURANTE Y DESPUÉS DEL PLAZO DE ESTA GARANTÍA.

MAKITA RENUNCIA A LA RESPONSABILIDAD POR CUALQUIER GARANTÍA IMPLÍCITA, INCLUYENDO GARANTÍAS DE "COMERCIABILIDAD" Y "ADECUACIÓN PARA UN PROPÓSITO ESPECÍFICO", DESPUÉS DEL PLAZO DE UN AÑO DE ESTA GARANTÍA.

Esta garantía le concede derechos legales específicos y usted podrá tener también otros derechos que varían de un estado a otro. Algunos estados no permiten la exclusión o limitación de daños incidentales o consecuentes, por lo que la limitación o exclusión arriba mencionada podría no aplicar para usted. Algunos estados no permiten la limitación sobre la duración de una garantía implícita, por lo que la limitación arriba mencionada podría no aplicar para usted.

< USA only >

WARNING

Some dust created by power sanding, sawing, grinding, drilling, and other construction activities contains chemicals known to the State of California to cause cancer, birth defects or other reproductive harm. Some examples of these chemicals are:

- lead from lead-based paints,
- crystalline silica from bricks and cement and other masonry products, and
- arsenic and chromium from chemically-treated lumber.

Your risk from these exposures varies, depending on how often you do this type of work. To reduce your exposure to these chemicals: work in a well ventilated area, and work with approved safety equipment, such as those dust masks that are specially designed to filter out microscopic particles.

< Sólo en los Estados Unidos >

ADVERTENCIA

Algunos polvos creados por el lijado, aserrado, esmerilado, taladrado y otras actividades de la construcción contienen sustancias químicas reconocidas por el Estado de California como causantes de cáncer, defectos de nacimiento y otros peligros de reproducción. Algunos ejemplos de estos productos químicos son:

- plomo de pinturas a base de plomo,
- sílice cristalino de ladrillos y cemento y otros productos de albañilería, y
- arsénico y cromo de maderas tratadas químicamente.

El riesgo al que se expone varía, dependiendo de la frecuencia con la que realice este tipo de trabajo. Para reducir la exposición a estos productos químicos: trabaje en un área bien ventilada y póngase el equipo de seguridad indicado, tal como las máscaras contra polvo que están especialmente diseñadas para filtrar partículas microscópicas.

Makita Corporation

3-11-8, Sumiyoshi-cho,
Anjo, Aichi 446-8502 Japan

www.makita.com

885435C941
CA5000-1
EN, FRCA,
ESMX
20151124