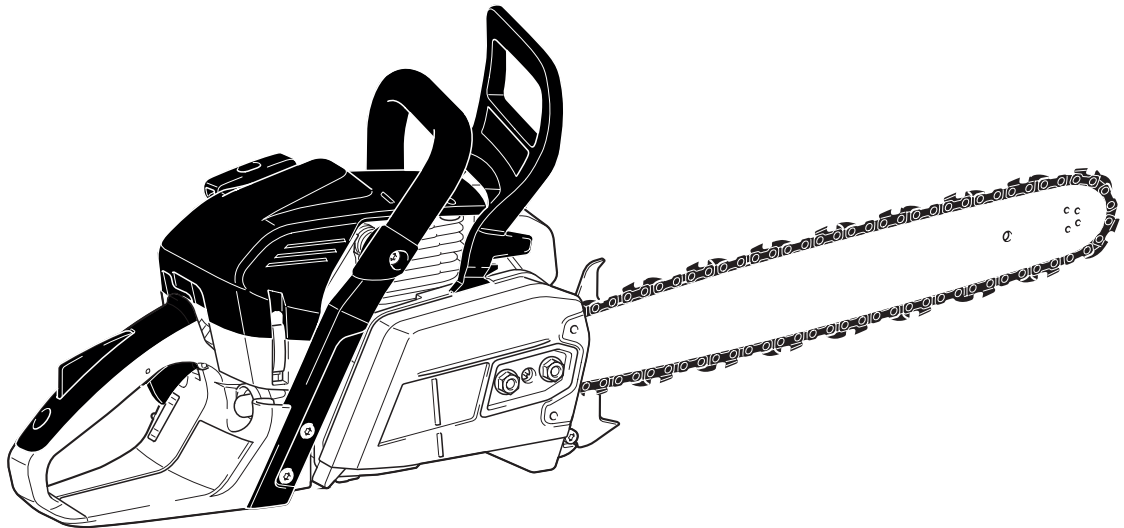




Operator's and Safety Manual for Gasoline Chain Saws



EA5600F

WARNING!

Read and understand this Manual. Always follow safety precautions in the Operator's and Safety Manual. Improper use can cause serious injury! Preserve this Manual carefully!

WARNING!

FUELS WITH MORE THAN 10% ETHANOL ARE NOT APPROVED FOR USE IN MAKITA 2-STROKE ENGINES!
Use of alternative fuels, such as E-20 (20% ethanol), E-85 (85% ethanol) or any fuels not meeting MAKITA requirements are not approved for use in MAKITA 2-stroke gasoline engines!

USE OF ALTERNATIVE FUELS CAN CAUSE THE FOLLOWING PROBLEMS:

Poor engine performance, loss of power, overheating, fuel vapor lock, improper clutch engagement, premature deterioration of fuel lines, premature deterioration of gaskets, premature deterioration of carburetors.

USING ALTERNATIVE FUELS AND/OR 2-STROKE OILS NOT ACCORDING TO JASO FD OR ISO-L-EGD IN MAKITA 2-STROKE ENGINES WILL VOID YOUR ENGINE WARRANTY!

WARNING!

Careless or improper use of this product can cause serious or even fatal injury.

Before operating a chain saw or other MAKITA products it is important that you read, fully understand and carefully follow the instructions outlined in this operator's manual. Kickback may cause severe or fatal injury and is one of many potential dangers in operating a chain saw. Kickback and other safety related precautions are described in detail within this operator's manual. Additional operator's manuals are available from www.makitausa.com and 1-800-4-MAKITA (462-5482) and MAKITA CANADA INC., 1950 Forbes Street, Whitby, Ontario, L1N 7B7, Canada, Telephone: (905) 571 22 00.

This product complies with:	American National Standard Institute	B 175.1-2012 chain saw safety standard.
	Canadian Standards Association	Z62.1-15 chain saw safety standard. Z62.3-11 chain saw kickback standard.
	Society of Automotive Engineers	This spark ignition system complies with the Canadian standard ICES-002. SAEJ 335-Jun 95 „Multiposition small engine exhaust system fire ignition suppression”

The Emissions Compliance Period referred to on the emission Compliance label indicates the number of operating hours for which the engine has been shown to meet federal emissions requirements. Category C= 50 hours, B= 125 hours, and A= 300 hours.

With the purchase of this chain saw you have chosen a German quality product. Important instructions for the assembly and operation of this saw are given in this manual. For your own safety, we ask you to read the accident prevention instructions very carefully before putting your chain saw into operation, as incorrect handling can, despite all precautions, lead to accidents. With a little care and attention you will have good service and lasting satisfaction from this first-rate product.

WARNING!

The ignition system of this equipment produces an electromagnetic field. This field may interfere with some medical devices such as a pacemaker. To reduce the risk of serious or fatal injury, persons with a medical device should consult with their physician and the manufacturer of the device before operating this equipment.

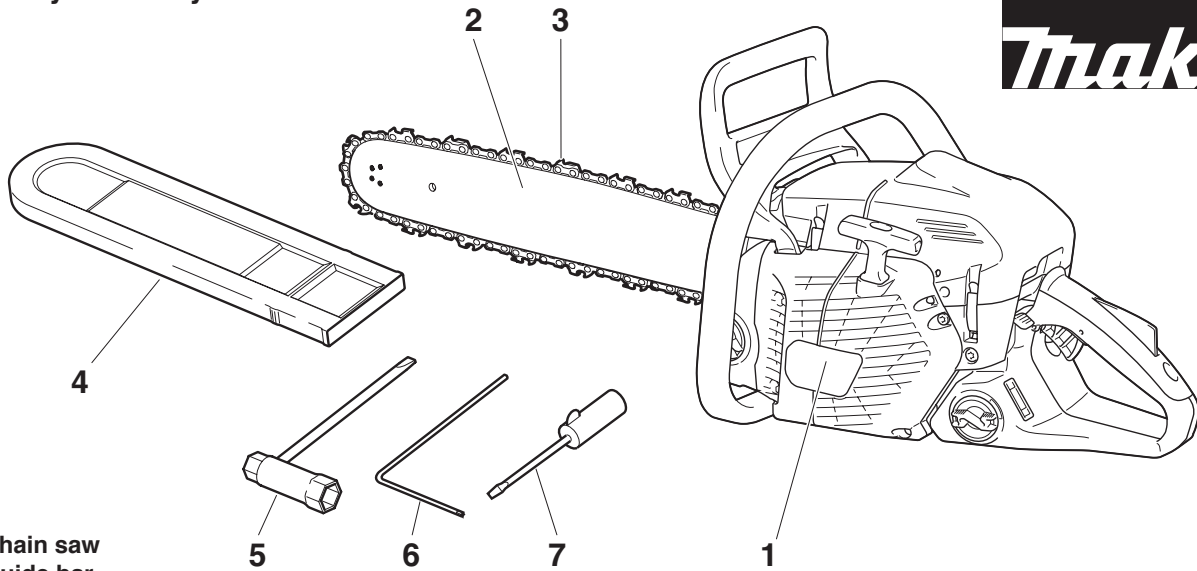


Contents	Page	Contents	Page
Delivery inventory	3	Sharpening the saw chain	28-29
Symbols	3	Cleaning the inside of the sprocket guard	30
Safety precautions	4-16	Cleaning the guide bar	30
Technical data	17	Replacing the saw chain	31
Denomination of components	18	Cleaning the air filter	32
Mounting the guide bar and saw chain	19-20	Replacing the spark plug	33
Tightening the saw chain	20	Checking the ignition spark	33
Checking the chain tension	21	Checking the muffler screws	33
Retightening the saw chain	21	Replacing the starter cable	34
Chain brake	21	Replacing the return spring cassette	34
Fuels	22-23	Replacing the Featherlight Start spring	35
Refuelling	24	Mounting the fan housing	35
Checking the chain lubrication	24	Cleaning the air filter compartment/fan compartment	36
Adjusting the chain lubrication	24	Cleaning the cylinder fins	36
Starting the engine	25	Replacing the suction head	36
Cold start	25	Replacing/cleaning the spark arrester screen	36
Warm start	25	Instructions for periodic maintenance	37
Stopping the engine	25	Service, spare parts and guarantee	38
Checking the chain brake	26	Trouble shooting	39
Adjusting the carburetor	27	Extract from spare parts list	40-41

The EA5600F will be delivered in a protective cardboard box to prevent transport damage. Cardboard is a basic raw material and is consequently reuseable or suitable for recycling (waste paper recycling).



Delivery inventory



1. Chain saw
2. Guide bar
3. Saw chain
4. Chain protection cover
5. Universal wrench
6. Offset screwdriver
7. Screwdriver for carburetor adjustment
8. Operator's and Safety Manual (not shown)

In case one of the parts listed should not be included in the delivery inventory, please consult your sales agent.

Symbols

You will notice the following symbols on the saw and in the Operator's and Safety Manual. Further symbols see page 8.

	Read instruction manual and follow the warning- and safety precautions!		Caution, kickback!
	Particular care and caution!		Chain brake
	Forbidden!		Fuel and oil mixture
	Wear protective helmet, eye and ear protection!		Normal / Winter operation
	Wear protective gloves!		Carburetor adjustment
	No smoking!		Chain oil fill/oil pump
	No open fire!		Saw chain oil adjustment screw
	Combination switch		Start engine
	Cold start (Choke)		First aid
	Warm start (ON)		Do not touch hot surfaces!
	Switch off engine (STOP)		Recycling
	Safety position		

Safety precautions for chain saw operators

While operating the chain saw please observe the following rules:

- a) Contact of the guide bar nose with any object should be avoided.
- b) Tip contact may cause the guide bar to move suddenly upward and backward, which may cause serious or fatal injury.

WARNING!

Read and follow all safety precautions in the operator's manual. Failure to follow instructions could result in serious injury. It is recommended to lend the chain saw only to people who are experienced in working with chain saws. Always hand over the Operator's and Safety Manual.

WARNING!

This chain saw is capable of severe kickback that could result in serious injury to the operator. Do not operate this chain saw unless you have extraordinary cutting needs and experience in and special training for dealing with kickback.

Chain saws with significantly reduced kickback potential are available.

Kickback safety precautions

WARNING!

Kickback may occur when the nose or tip of the guide bar touches an object, or when the wood closes in and pinches the saw chain in the cut. Tip contact in some cases may cause a lightning-fast reverse reaction, kicking the guide bar up and back toward the operator. Pinching the saw chain along the top of the guide bar may push the guide bar rapidly back toward the operator. Either of these reactions may cause you to lose control of the saw, which could result in serious personal injury. Do not rely exclusively upon the safety devices built into your saw. As a chainsaw user, you should take several steps to keep your cutting jobs free from accident or injury.

- a) With a basic understanding of kickback, you can reduce or eliminate the element of surprise. Sudden surprise contributes to accidents.
- b) Keep a good firm grip on the saw with both hands, the right hand on the rear handle and the left hand on the front handle, when the engine is running. Use a firm grip with thumbs and fingers encircling the chain saw handles. A firm grip will help reduce kickback and maintain control of the saw. Don't let go.
- c) Make sure that the area in which you are cutting is free from obstructions. Do not let the nose of the guide bar contact a log, branch, or any other obstruction that could be hit while you are operating the saw.
- d) Cut at high engine speeds.
- e) Do not overreach or cut above shoulder height.
- f) Follow the manufacturer's sharpening and maintenance instructions for the saw chain.
- g) Only use replacement bars and chains specified by the manufacturer or the equivalent.

Additional safety precautions

The following additional safety precautions must be observed by all users of chain saws:

- A chain saw is intended for two-handed use. Do not operate a chain saw with one hand! Serious injury to the operator, helpers, bystanders may result from one-handed operation.
- When a chain saw is being used, a fire extinguisher should be available.
- Follow the instructions in your operator's manual for starting the chain saw and control the chain saw with a firm grip on both handles when it is in operation. Keep handles dry, clean, and free of oil or fuel mixture.
- Do not operate a chain saw when you are fatigued. Fatigue causes carelessness. Be more cautious before rest periods and towards the end of your shift.
- Personal protective clothing required by your safety organizations, government regulations, or your employer should be used. At all times when using a chain saw, snug-fitting clothing, protective eyewear, safety footwear, and hand, leg, head and hearing protection should be worn.
Note: Personal protective clothing should meet the requirements of applicable CSA and BNQ Standards.
- Use caution when handling fuel. Before fuelling, servicing, or transporting your chain saw, switch off the engine. To help prevent fire, restart your chain saw at least 3 m (10 ft) from the fuelling area.
- Keep other persons or animals a safe distance away from a running chain saw or the area where a tree is being felled.
- Always keep proper footing and operate the chain saw only when standing on a fixed, secure, and level surface, and a planned retreat path from the falling tree.
- Keep all parts of your body away from the saw chain when the engine is running.
- Before you start the engine, make sure that the saw chain is not contacting anything.
- Carry the chain saw by the front handle with the engine stopped, the guide bar and saw chain to the rear, and the muffler away from your body.
- When transporting, storing or not in use, always use the appropriate guide bar cover. It must fit and fully cover the guide bar on the chain saw.
- Never operate a chain saw that is damaged or improperly adjusted or that is not completely and securely assembled. Be sure that the saw chain stops moving when the power control system trigger is released. Never adjust the guide bar or saw chain when the engine is operating.
- Shut off the engine before setting the chain saw down.
- Use extreme caution when cutting small-size brush and saplings because slender material may catch the saw chain and be whipped toward you or pull you off balance.

- When cutting a limb that is under tension, be alert for spring back so that you will not be struck when the tension in the wood fibers is released.
- When felling, keep at least two tree lengths away from other persons or animals.
- Beware of carbon monoxide poisoning. Operate the chain saw in well-ventilated areas only.
- Allow your chain saw to cool before refuelling, and do not smoke.
- Do not attempt a pruning or limbing operation in a standing tree unless specifically trained to do so.
- All chain saw service, other than the items listed in the operator's manuals maintenance instructions, should be performed by competent chain saw service personnel. (For example, if improper tools are used to remove the flywheel or if an improper tool is used to hold the flywheel in order to remove the clutch, structural damage to the flywheel could occur and subsequently could cause the flywheel to burst.)
- This gas-powered saw is classified by CSA as a Class 1A saw. It is a professional chain saw, intended for use by trained workers, where the operator is expected to use the chain saw for extended periods of time on a daily basis.
- Hold the chain saw by the insulated gripping surface only, because the saw chain may contact hidden electrical wiring.

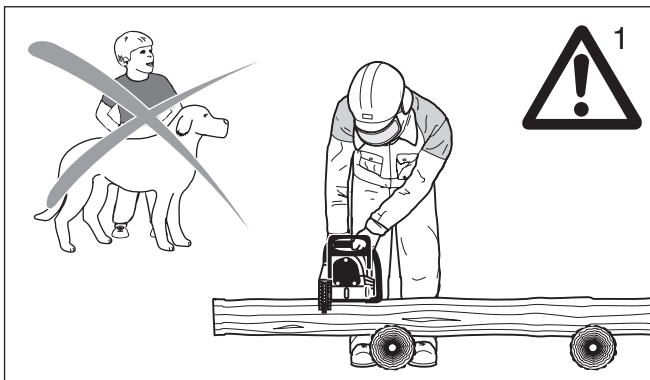
General Safety Precautions

The use of any chain saw may be hazardous. At full throttle chain speed can reach 45 mph (20 m/s). It is important that you read; fully understand and observe the following safety precautions and warnings. Read the Operator's Manual and the safety instructions periodically.

WARNING!

Reactive forces, including kickback, can be dangerous. Careless or improper use of any chain saw may cause serious or fatal injury.

Have your MAKITA dealer show you how to operate your chain saw. Observe all applicable local safety regulations, standards and ordinances.



WARNING!

Minors should never be allowed to use a chain saw.

Bystanders, especially children and animals should not be allowed in the area where a chain saw is in use (fig. 1).

Never let the saw run unattended.

Store it in a locked place away from children. Empty the fuel and oil tank (see storing the saw).

Do not lend your chain saw without this Operator's and Safety Manual. Be sure that anyone using your saw understands the information given.

Proper use of a chain saw involves

1. the operator
2. the saw
3. the use of the saw.

Discription of symbols used on chain saws:



CSA Standards Z62.1-15
Class 1A Z62.3-11

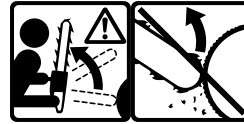
ANSI Standard B175.1-2012



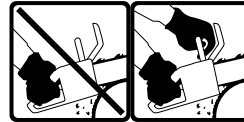
Maximum Computed Kickback Angle (CKA)* without using the chain brake when using the recommended bar and chain combinations (In this example the CKA is 45°).



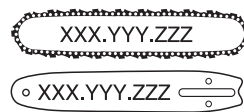
Maximum Computed Kickback Angle (CKA)* with using the chain brake when using the recommended bar and chain combinations (In this example the CKA is 40°).



Contact of the guide bar tip with any object should be avoided! Tip contact may cause the guide bar to move suddenly upward and backward, which may cause serious injury!



Always use two hands when operating the chain saw!



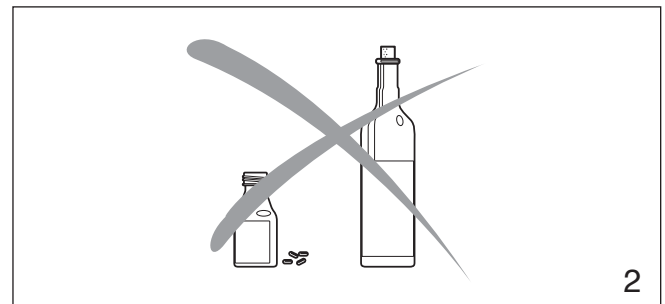
Reduced Kickback Bar and Chain combination that has been evaluated with the power head to achieve kickback protection (according to ANSI and CSA standards).

*The Computed Kickback Angle is a calculated value from energies measured on a test bench. It is not the angle of the guide bar moved upward in case of a KICKBACK.

The operator

Physical Condition

You must be in good physical condition and mental health and not under the influence of any substance (drugs, alcohol), which might impair vision, dexterity or judgment.



WARNING!

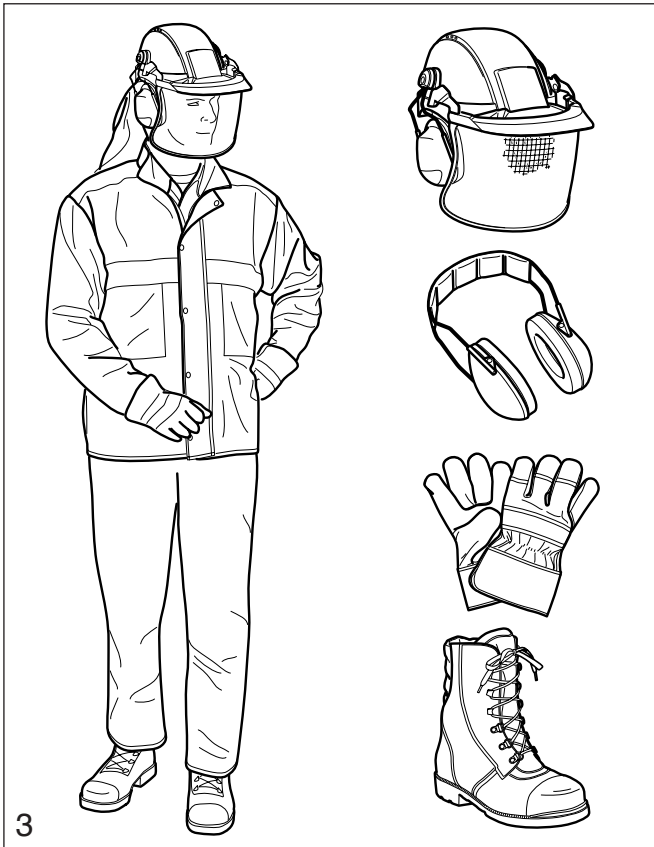
Prolonged use of chain saws exposing the operator to vibrations may produce Whitefinger disease (Raynaud's phenomenon). This phenomenon reduces the hand's ability to feel and regulate temperature, produces numbness and burning sensations and may cause nerve and circulation damage and tissue necrosis.

All MAKITA saws are therefore provided with an antivibration system which is essential for those using chain saws on a regular or sustained basis. Antivibration systems do not guarantee that you will not sustain Whitefinger disease, however, they reduce this danger considerably. Nevertheless, continual and regular users should observe their hands and fingers and in case of any abnormal symptoms, seek medical advice immediately.

Proper clothing

Clothing must be sturdy and snug-fitting, but allow complete freedom of movement. Avoid loose-fitting jackets, scarfs, neckties, jewelry, flared or cuffed pants, or anything that could become entangled with the saw or brush. Wear overalls or jeans with a reinforced cutting resistant insert (fig. 3).

Protect your hands with gloves when handling saw and saw chain. Heavy-duty, nonslip gloves improve your grip and protect your hands.



Good footing is most important in chain saw work. Wear sturdy boots with nonslip soles. Steel-toed safety boots are recommended.

Proper eye protection is a must. Non-fogging, vented goggles and a face screen is recommended. Their use reduces the risk of eye and facial injury.

Wear an approved safety hard hat to protect your head. Chain saw noise may damage your hearing. Always wear noise protection equipment (ear plugs or ear muffs) to protect your hearing.

Continual and regular users should have their hearing checked regularly.

Sawing dry wood can create dust. Use a suitable dust mask.



**Wear protective helmet,
eye and ear protection!**

The saw

Parts of the chain saw: illustrations and description of parts see page 20.

WARNING!

Never modify a chain saw in any way. Only attachments supplied by MAKITA or expressly approved by MAKITA for use with the specific saw are authorized.

WARNING!

Bow guide bars substantially increase the potential for kickback and severe or fatal injury due to the greater kickback zone of the bow design. Bow guide bars are **not recommended** for use on MAKITA chain saws nor are they approved by the ANSI B 175.1-2012 chain saw safety standard.

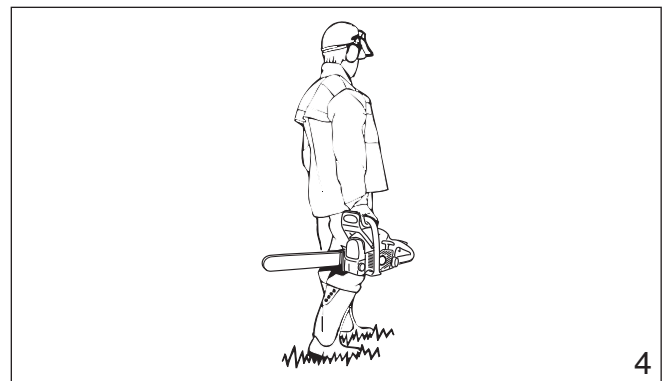
The use of the saw

Transporting the chain saw

WARNING!

Always stop the engine before putting a chain saw down or carrying it. Carrying a chain saw with the engine running is extremely dangerous. Accidental acceleration of the engine can cause the chain to rotate.

Avoid touching the hot muffler.



By hand: When carrying your saw by hand, the engine must be stopped and the saw must be in the proper position.

The chain protection cover should be over the chain and the guide bar must point backwards. When carrying your saw the bar should be behind you (fig. 4).

By vehicle: When transporting in a vehicle, keep chain and bar covered with the chain guard. Properly secure your saw to prevent turnover, fuel spillage and damage to the saw. Make sure the saw is not exposed to heat or sparks.

Chain saw operating instructions

For assembly follow the procedure in the appropriate section "Mounting Guide Bar and Chain" of this manual. MAKITA chain, guide bar and sprocket must match each other (see the appropriate section in this manual).

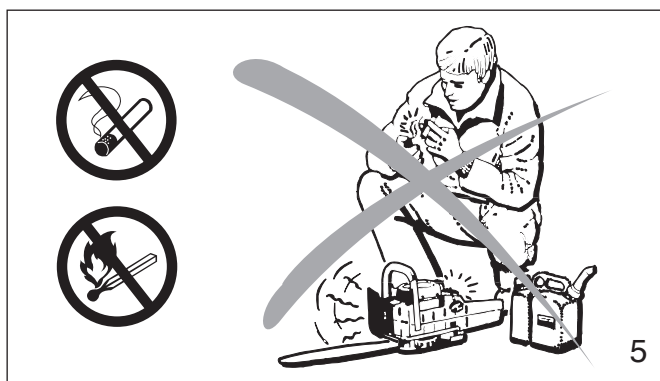
WARNING!

Proper tension of the chain is extremely important. In order to avoid false setting the tensioning procedure must be followed as described in this manual. Always make sure the hexagonal nut(s) for the sprocket guard is (are) tightened securely after tensioning the chain.

Check chain tension once more after having tightened the nuts and thereafter at regular intervals (always before starting to work). If the chain becomes loose while cutting, shut off the engine and then tighten. Never try to tighten the chain while the engine is running!



Fueling

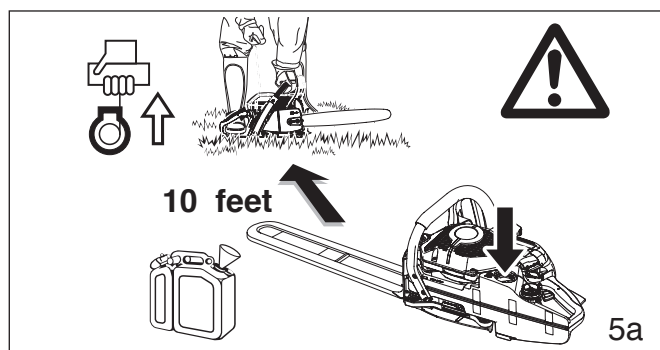
Your MAKITA saw uses on oil-gasoline mixture for fuel (see chapter "Fuel" of this manual).



WARNING!

Gasoline is an extremely flammable fuel. Use extreme caution when handling gasoline or fuel mix. Do not smoke or bring any sparks or flame near the fuel (fig. 5).

Fueling instructions  
Fuel your chain saw in well ventilated areas or outdoors. Always shut off the engine and allow it to cool before refueling. Select bare ground for fueling and move the chain saw at least 10 feet (3 m) from fueling spot before starting the engine (fig. 5a).



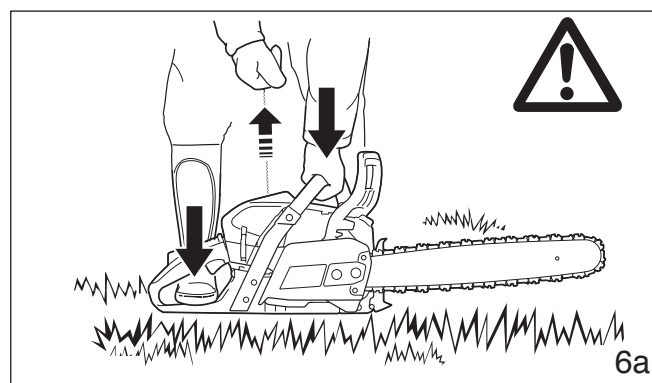
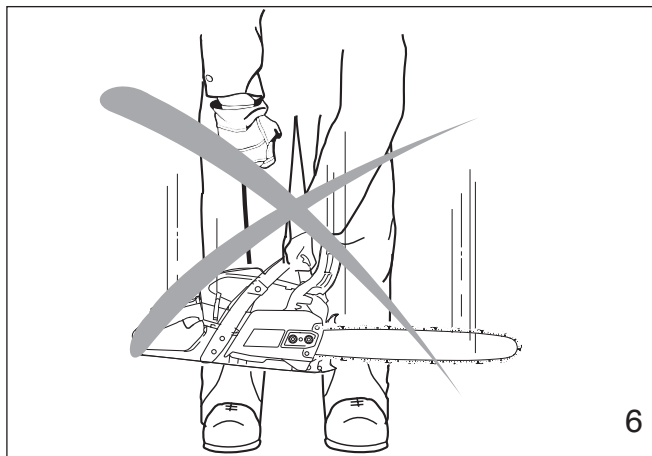
Wipe off any spilled fuel before starting your saw and check for leakage.

Check for fuel leakage while refueling and during operation. If fuel or oil leakage is found, do not start or run the engine until leak is fixed and spilled fuel has been wiped away. Clothing with fuel on it has to be changed immediately (this is a danger to your life!).

Avoid skin contact with fuel. Never loosen or remove the cap of the fuel tank while the engine is running.

Starting

Do not drop start. This method is very dangerous because you may lose control of the saw (fig. 6).



Place the chain saw on firm ground or other solid surface in an open area. Maintain a good balance and secure footing. Place your right foot through the rear handle opening and firmly grasp the front handle with your left hand (fig. 6a).

Be absolutely sure that guide bar and chain are clear of you or all other obstructions and objects, including the ground, because when the engine starts in semi-throttle position, engine speed will be fast enough for the clutch to engage the sprocket and turn the chain which may cause a kickback.

Never attempt to start the saw when the guide bar is in a cut or kerf.

When you pull the starter grip, don't wrap the starter rope around your hands. Do not allow the grip to snap back, but guide the starter rope slowly back to permit the rope to rewind properly.

Failure to follow this procedure may result in injury to hand or fingers and may damage the starter mechanism.

Important adjustments

WARNING!

At correct idle speed, chain should not turn. For directions to adjust idle speed, see the appropriate section of this operator's manual.

Do not use a saw with incorrect idle speed adjustment. Adjust the idle speed yourself according to the appropriate section of this manual.

Have your MAKITA dealer check your saw and make proper adjustments or repairs.

Check the saw chain tension frequently, especially just after installing a new chain. New chains may stretch more during their initial use. A properly adjusted saw chain can be pulled freely around the guide bar by hand without sagging. Always stop the engine and wear gloves when checking or adjusting the chain tension.

Working conditions

Operate your chain saw only outdoors. Operate the saw under good visibility and daylight conditions only.

WARNING!

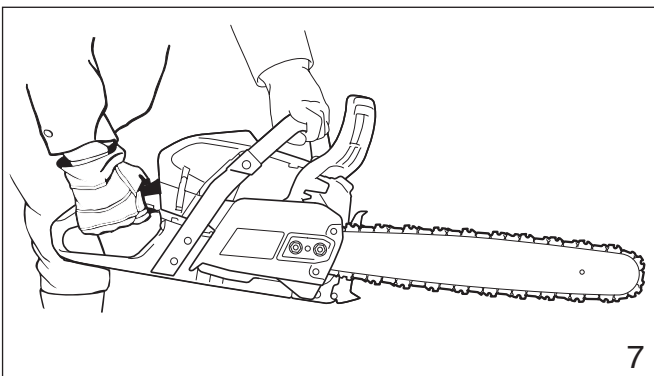
Take extreme care in wet and freezing weather (rain, snow, ice). Put off the work when the weather is windy, stormy or rainfall is heavy. Clear the area where you are working.

WARNING!

Avoid stumbling on obstacles such as stumps, roots or rocks and watch out for holes or ditches. Be extremely cautious when working on slopes or uneven ground. There is increased danger of slipping on freshly debarked logs.

Cutting instructions

Always hold the saw firmly with both hands when the engine is running. Place your left hand on the tubular handle and your right hand on grip and throttle lever. Left-handers should follow these instructions too.



Wrap your fingers tightly around the handles, keeping the handles cradled between your thumb and forefinger (fig. 7). With your hands in this position, you can best oppose and absorb the push, pull and kickback forces of your saw without having it slip out of your grip (see section of reactive forces).

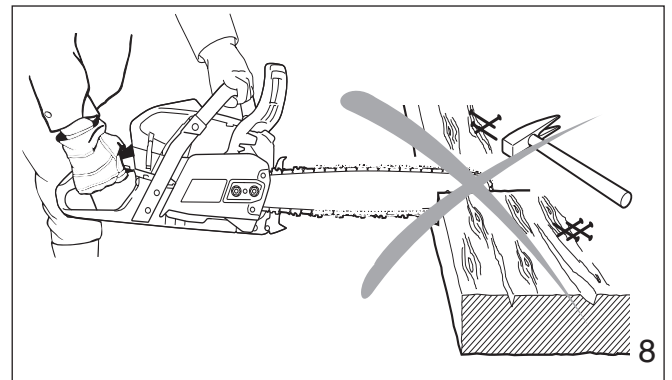
Make sure your chain saw handle and grip are in good condition and free of moisture, pitch, oil or grease.

Always start a cut with the chain running at full speed and the spike bar in contact with the wood.

When starting a cut, the blade can slip to the side or jump slightly. This depends on the wood and the condition of the chain. **Therefore, always hold the chain saw with both hands.**

WARNING!

Never use the saw with one hand. You cannot control reactive forces (see pages 12 to 14) and may lose control of the saw.



WARNING!

Do not operate your chain saw in semi-throttle position. Cutting in this position does not permit the operator proper control of the saw or chain speed.

WARNING!

Never come too close to a rotating chain with your hands or body.

WARNING!

Cut wood only. Do not use the chain saw for purposes not intended. For example: do not use the chain saw for cutting plastic, masonry, or non-wood building materials.

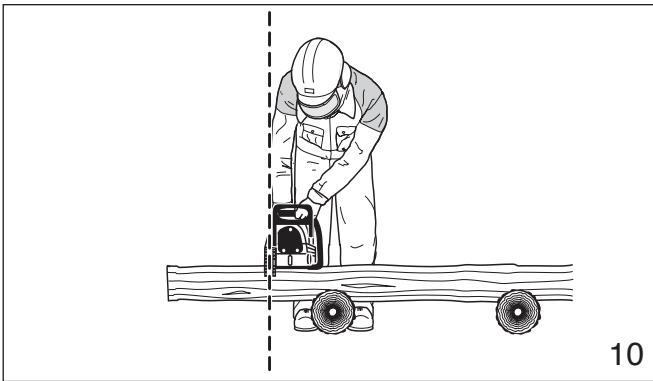
Use your chain saw for cutting only. It is not designed for prying or shoveling away limbs, roots or other objects.

When sawing, make sure that the saw chain does not touch any foreign materials such as rocks, nails and the like (fig. 8). Such objects may be flung off, damage the saw chain or cause the saw to kickback.

If the chain saw is exposed to force, such as through impact or falling, inspect the entire chain saw for proper functioning.



In order to keep control of your saw, always maintain a firm foothold. Never work on a ladder, in a tree or on any other insecure support. Never use the saw above shoulder height (fig. 9).



Position the chain saw in such a way that your body is clear of the cutting attachment whenever the engine is running (fig. 10).

Don't put pressure on the saw when reaching the end of a cut. The pressure may cause the bar and rotating chain to pop out of the cut or kerf, go out of control and strike the operator or some other object. If the rotating chain strikes some other object a reactive force (see pages 13 to 15) may cause the chain to strike the operator.

Reactive forces during the cut, including kickback

WARNING!

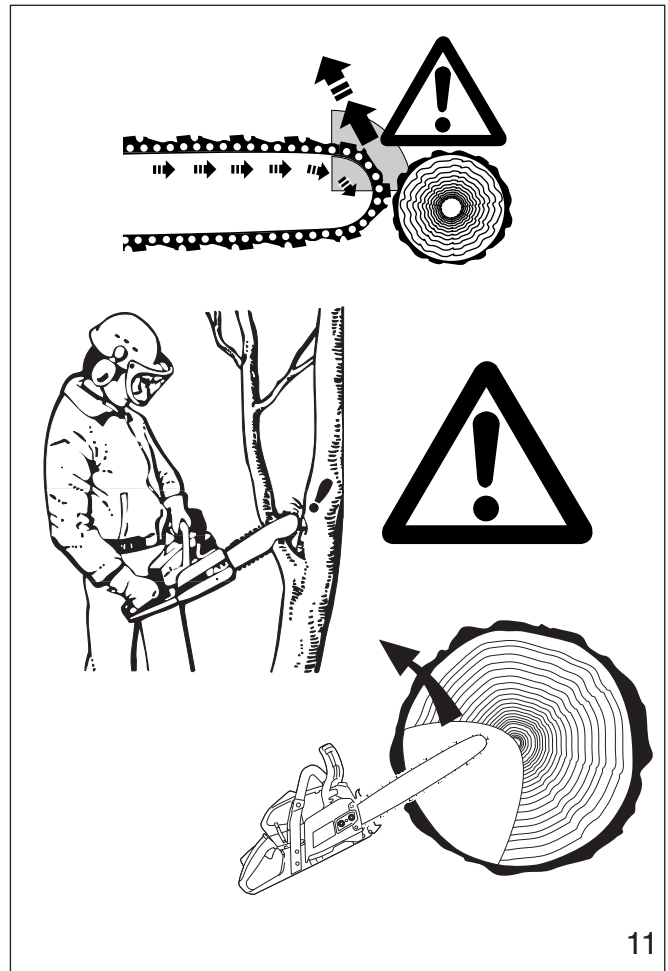
Reactive forces, that may occur during any cut are kickback, pushback and pull-in. Reactive forces can be dangerous! In any chain saw, the powerful force used to cut wood can be reversed (and work against the operator).

If the rotating chain is suddenly stopped by contact with any solid object like a log or branch or is pinched, the reactive forces instantly occur.

These reactive forces may result in loss of control which may, in turn, cause serious or fatal injury. An understanding of the causes of these reactive forces may help you avoid loss of control.

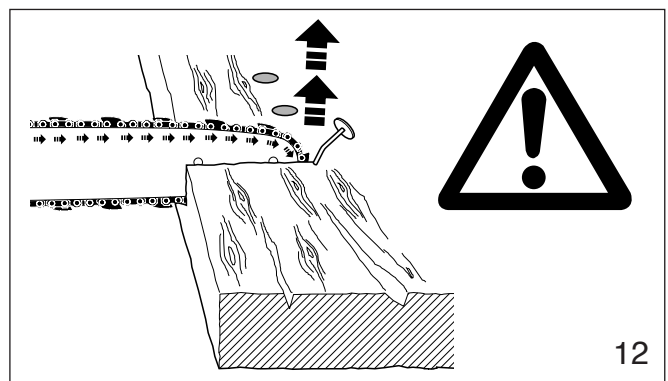
The most common reactive forces are

- kickback,
- pushback,
- pull-in.



Kickback:

Kickback occurs when the upper quadrant of the bar nose contacts a solid object in the wood or is pinched (fig. 11). The reaction of the cutting force of the chain causes a rotational force of the chain saw in the direction opposite to the chain movement, mainly in the plane of the bar. This may fling the bar in an uncontrolled arc towards the operator.



This reaction can occur in a fraction of a second and under some circumstances, cause the guide bar and chain to strike the operator with enough force to cause severe or fatal injury. It may also occur during limbing.

It also occurs when the nose of the guide bar is pinched unexpectedly, unintentionally contacts solid material in the wood (fig.12) or is incorrectly used to begin a plunge or boring cut.

The greater the force of the kickback reaction, the more difficult it becomes for the operator to control the saw.

Many factors influence the occurrence and force of the kickback reaction. The type of bar and saw chain you use is a factor in the force of the kickback reaction.

The speed of contact at which the cutter contacts the object.

Kickback force increase with the rate of impact.

The contact angle between the nose of the bar and the foreign object (fig. 11).

Kickback is most pronounced in the upper quadrant of the bar nose.

MAKITA chain types are designed to reduce kickback forces.

The depth gauges:

Improper lowering of the depth gauges also increases the risk of a kickback.

Saw chain cutter sharpness:

WARNING!

A dull improperly sharpened chain may increase the risk of kickback. Always cut with a properly sharpened chain.

Devices for reducing the risk of kickback injury

MAKITA have developed a special chain brake to reduce the risk of kickbacks.

This chain brake increases the safety factor on the job, e.g. when the saw suddenly bucks upwards the chain stops rotating within a fraction of a second.

A deflection guard on the disengaging lever of the chain brake and a scoop rear handle ensure that the operator's hands are fully protected at all times.

Kickback tendency increases as the radius or size of the guide bar nose increases. MAKITA have developed guide bars with small nose radius, to reduce the kickback tendency.

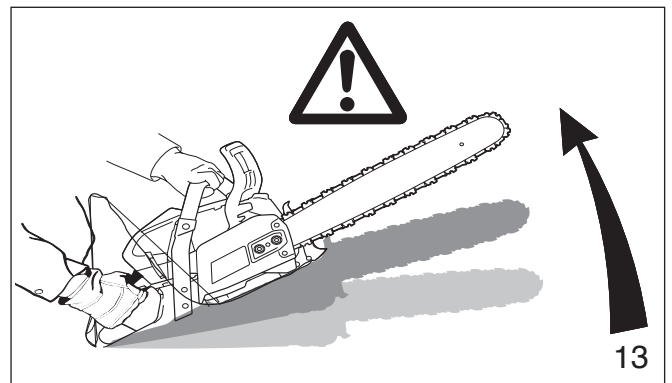
WARNING!

No chain brake prevents kickback.

These brakes are designed only to stop the chain, if activated.

To ensure a proper operation of the chain brake, it must be properly maintained.

Furthermore, there must be a sufficient distance between the operator and the bar to ensure that the chain brake has sufficient time to activate and stop the chain before potential contact with the operator.



To avoid kickback

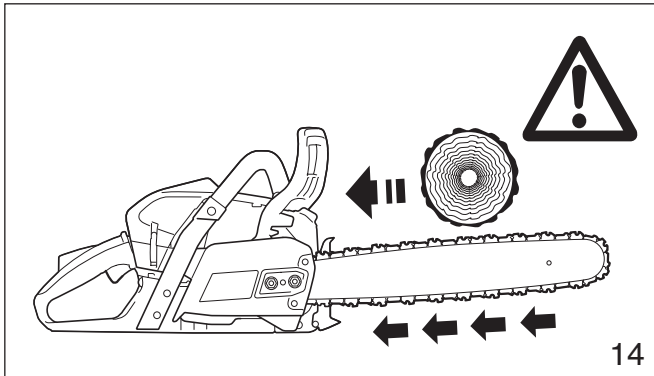
The best protection from personal-injury that may result from kickback is to avoid kickback situations:

1. Hold the chain saw firmly with both hands and maintain a secure grip.
2. Be aware of the location of the guide bar nose at all times.
3. Never bring the nose of the guide bar in contact with any object.
Do not cut limbs with the nose of the guide bar. Be especially careful with small, tough limbs, small size brush and saplings which may easily catch the chain.
4. Don't overreach.
5. Don't cut above shoulder height.
6. Begin cutting and continue at full throttle.
7. Cut only one log at a time.
8. Use extreme caution when re-entering a previous cut.
9. Do not attempt plunge cuts (see page 16) if you are not experienced with these cutting techniques.
10. Be alert for shifting of the log or other forces that may cause the cut to close and pinch the chain.
11. Maintain saw chain properly. Cut with a correctly sharpened, properly tensioned chain at all times.
12. Stand to the side of the cutting path of the chain saw.

Pushback:

Pushback occurs when the chain on the top of the bar is suddenly stopped when it is pinched, caught or encounters a foreign object in the wood.

The reaction of the chain drives the saw straight back toward the operator causing loss of saw control. Pushback frequently occurs when the top of the bar is used for cutting (fig. 14).



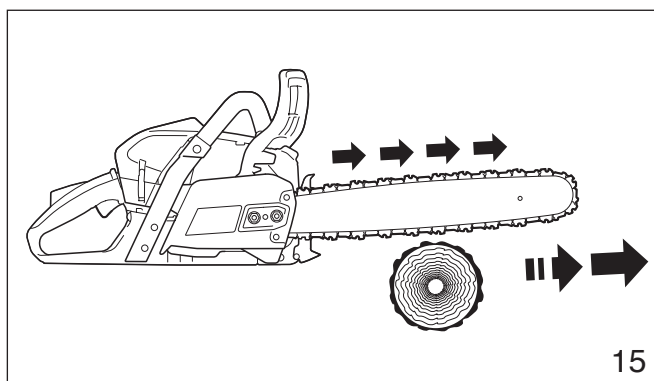
To avoid pushback

1. Be alert to forces or situations that may cause material to pinch the top of the chain.
2. Do not cut more than one log at a time.
3. Do not twist the saw when withdrawing the bar from a plunge cut or under buck cut (figures 25 to 27 and 33, pages 16 and 18), because the chain can pinch.

Pull-in:

Pull-in occurs when the chain on the bottom of the bar is suddenly stopped. The chain on the bottom of the bar stops when it is pinched, caught or encounters a foreign object in the wood (see fig. 15). The reaction of the chain pulls the saw forward, causing the operator to lose control.

Pull-in frequently occurs when the spike bar of the saw is not held securely against the tree or limb and when the chain is not rotating at full speed before it contacts the wood.



WARNING!

Use extreme caution when cutting small size brush and saplings which may easily catch the chain and pull you off balance.

To avoid pull-in

1. Always start a cut with the chain rotating at full speed and the spike bar in contact with the wood.
2. Pull-in may also be prevented by using plastic wedges to open the kerf or cut.

Cutting techniques

Felling

Felling is cutting down a tree.

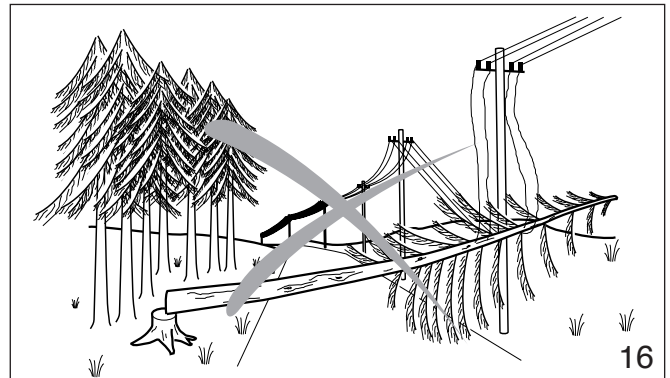
Before felling a tree, consider carefully all conditions which may affect the direction of fall, including:

- The intended direction of the fall.
- The neutral lean of the tree.
- Any unusually heavy limb structure.
- Surrounding trees and obstacles.
- The wind direction and speed.

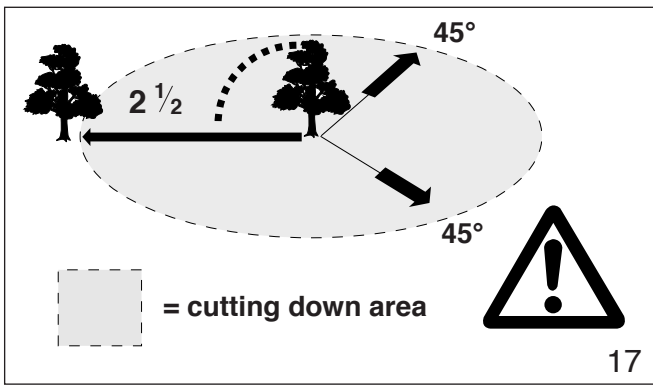
WARNING!

Always observe the general condition of the tree. Look for decay and rot in the trunk. If it is rotted inside, it could snap and fall toward the operator while being cut.

Also look for broken or dead branches which could vibrate loose and fall on the operator. When felling on a slope, the operator should stand on the up-hill side.



When felling in the vicinity of roads, railways and power lines, etc., take extra precautions (see fig. 16). Inform the police, utility company or railway authority before beginning to cut.

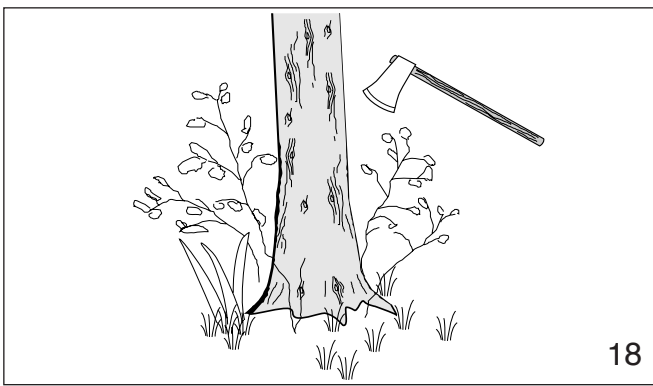


When felling, maintain a distance of at least $2\frac{1}{2}$ tree lengths from the nearest person (see fig. 17).

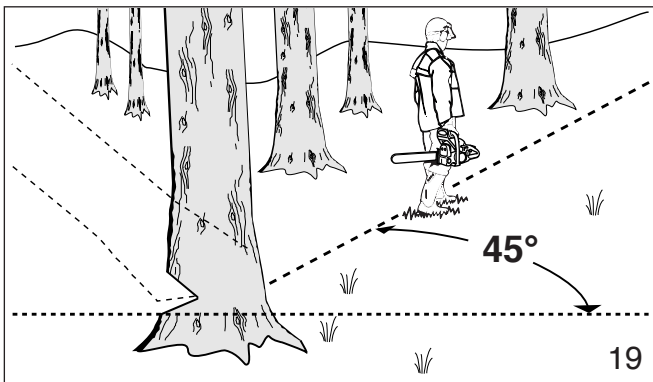
Note:

The noise of your engine may drown any warning call.

Felling instructions:



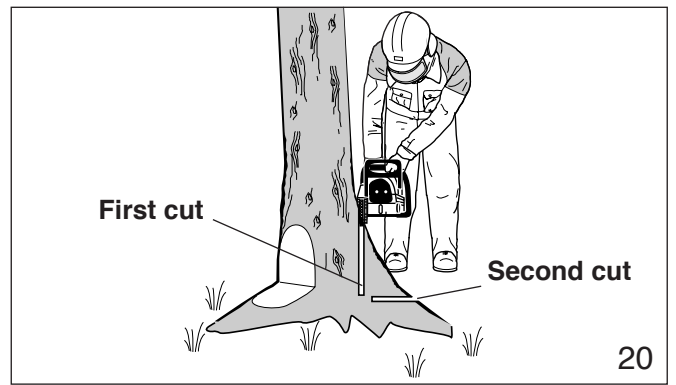
First clear the tree base and work area from interfering limbs and brush and clean its lower portion an axe (see fig. 18).



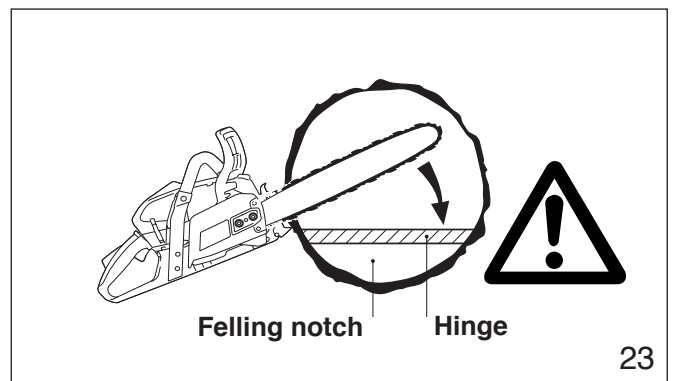
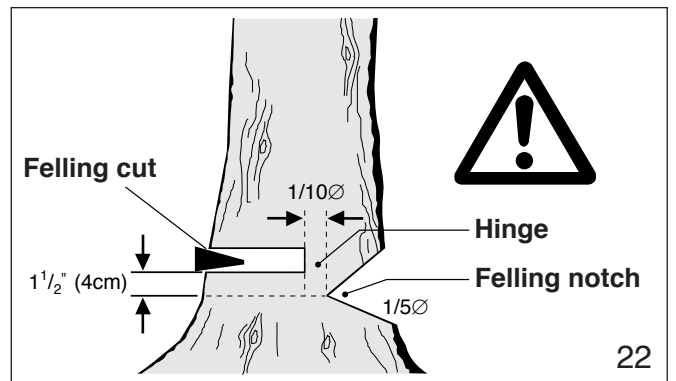
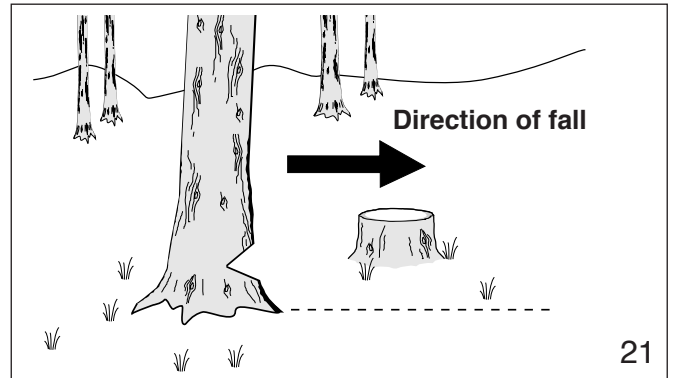
Plan your work, ensuring an obstacle-free work area and, in the case of felling, have at least one escape path from the falling tree prepared in advance.

Then, establish a path of escape and remove all obstacles. This path should be opposite to the planned direction of the fall of the tree and at a 45° angle (fig. 19).

An alternate path must also be selected. Place all tools and equipment a safe distance away from the tree, but not on the escape path.



If the tree has large buttress roots, cut into the largest buttresses vertically first (horizontally next) and remove (fig. 20).



Then, determine the placement of the felling notch (fig. 21). The felling notch when properly placed determines the direction in which the tree will fall. It is made perpendicular to the line of fall and should be as close to the ground as possible.

Cut the felling notch to a depth of about one-fifth to one-fourth of the trunk diameter (fig. 22). It should be in no case higher than it is deep. Make the felling notch very carefully.

Begin the felling cut slightly higher than the felling notch and on the opposite side of the tree (fig. 22). Then cut horizontally through towards the felling notch. Apply the chain saw with its spikes directly behind the uncut portion of wood and cut toward the notch (fig. 23).

Leave approximately 1/10 of the tree diameter uncut! This is the hinge (fig. 23). Do not cut through the hinge because you could lose control of the direction of the fall. Drive wedges into the felling cut where necessary to control the direction of the fall. Wedges should be of wood, light alloy or plastic - never of steel, which can cause kickback and damage to the chain.

Always keep to the side of the falling tree. When the tree starts to fall, shut off the engine, withdraw the bar and walk away on the pre-planned escape path. Watch out for falling limbs.

WARNING!

Be extremely careful with partially fallen trees which are poorly supported.

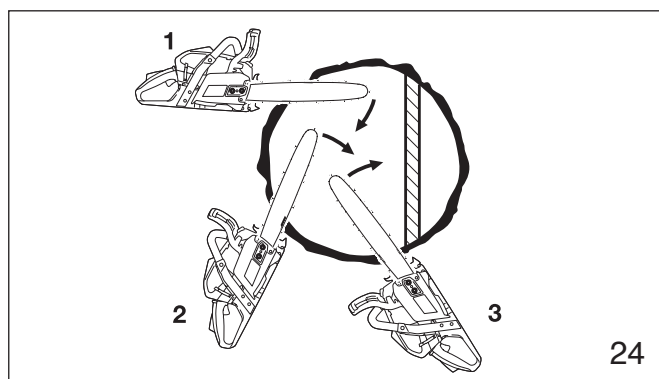
When the tree hangs or for some other reason does not fall completely, set the saw aside and pull the tree down with a cable winch, block and tackle or tractor. If you try to cut it down with your saw, you may be injured.

Sectioning Method

WARNING!

Felling a tree that has a diameter greater than the length of the guide bar requires use of either the sectioning or plunge-cut method. These methods are extremely dangerous because they involve the use of the nose of the guide bar and can result in kickback.

Only properly trained professionals should attempt these techniques.



For the sectioning method (fig. 24) make the first cut with the guide bar fanning in toward the hinge. Then, using the bumper spike as a pivot, reposition the saw for the next cut. Avoid repositioning the saw more than necessary.

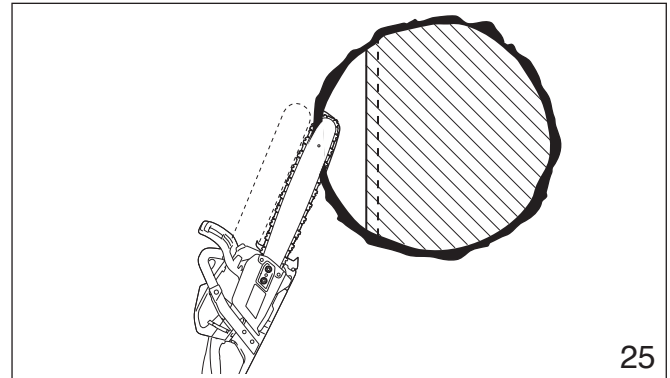
When repositioning for the next cut, keep the guide bar fully engaged in the kerf to keep the felling cut straight. If the saw begins to pinch, insert a wedge to open the cut. On the last cut, do not cut the hinge.

Plunge-Cut Method

Timber having a diameter more than twice the length of the guide bar requires the use of the plunge-cut method before making the felling cut.

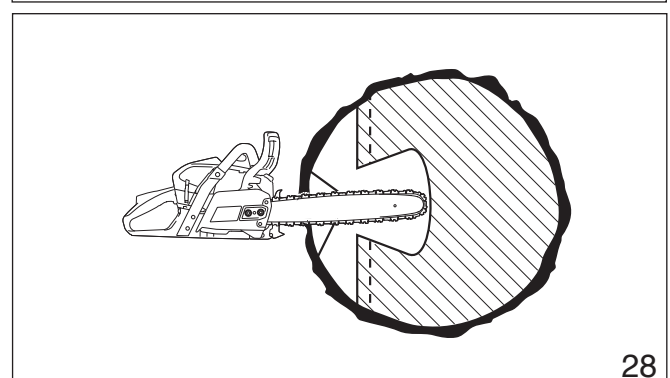
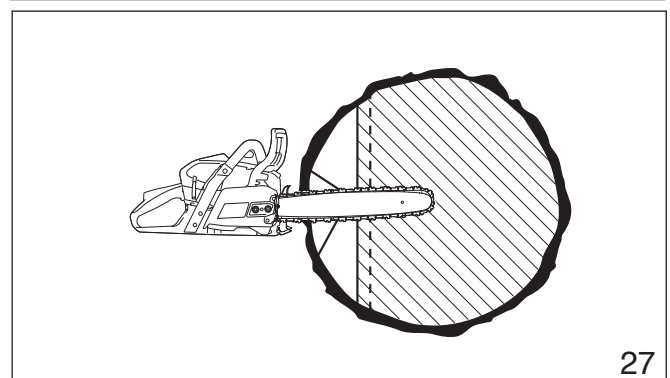
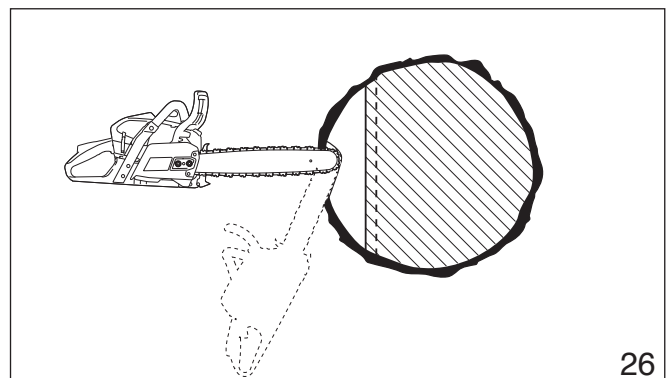
First, cut a large, wide notch. Make a plunge cut in the center of the notch.

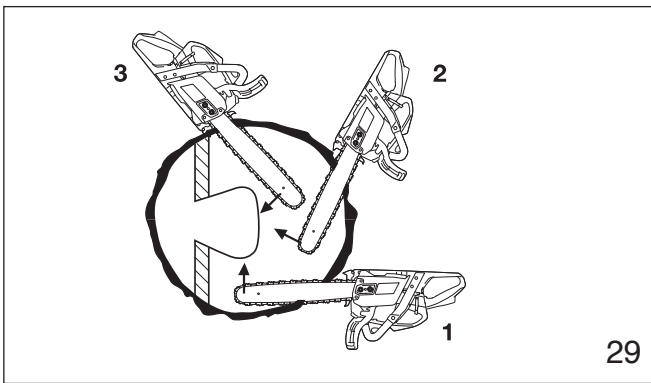
The plunge cut is made with the guide bar nose. Begin the plunge cut by applying the lower portion of the guide bar nose to the tree at an angle (fig. 25). Cut until depth of the kerf is about the same as the width of the guide



bar (fig. 26). Next, align the saw in the direction in which the recess is to be cut. With the saw at full throttle, insert the guide bar in the trunk (fig. 27).

Enlarge the plunge cut as shown in illustration (fig. 28).





29

WARNING!

There is an extreme danger of kickback at this point. Extra caution must be taken to maintain control of the saw. To make the felling cut, follow the sectioning method described previously (fig. 29).

If you are inexperienced with a chain saw plunge-cutting should not be attempted. Seek the help of a professional.

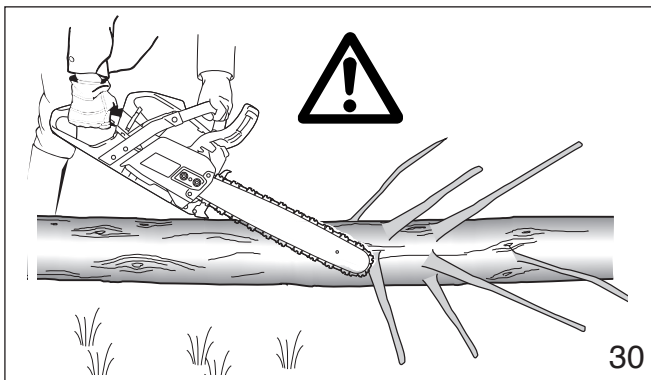
Limbing

Limbing is removing the branches from a fallen tree.

WARNING!

There is an extreme danger of kickback during the limbing operation. Do not work with the nose of the bar. Be extremely cautious and avoid contacting the log or other limbs with the nose of the guide bar.

Do not stand on a log while limbing it - you may slip or the log may roll.



30

Start limbing by leaving the lower limbs to support the log off the ground (fig. 30). Always cut from the top of the limb.

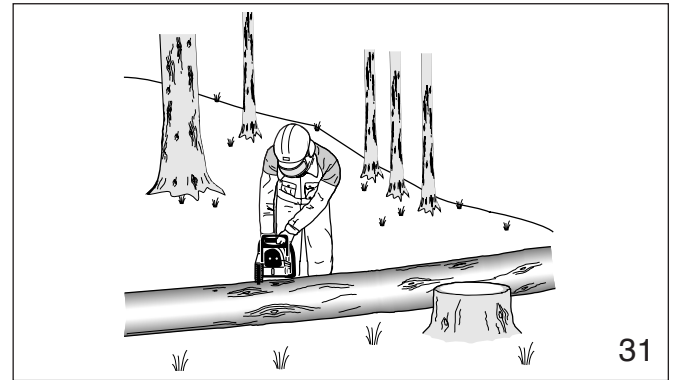
Do not underbuck freely hanging limbs. A pinch may result or the limb may fall, causing loss of control. If a pinch occurs, stop the engine and remove the saw, by lifting the limb.

WARNING!

Be extremely cautious when cutting limbs under tension. The limbs could spring back toward the operator and cause loss of control of the saw or injury to the operator.

Bucking

Bucking is cutting a log into sections.



31

WARNING!

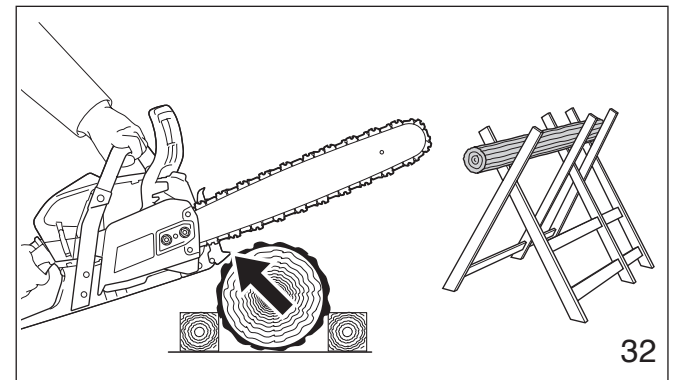
1. When bucking, do not stand on the log. Make sure the log will not roll down-hill. If on a slope, stand on the up-hill side of the log (see fig. 31). Watch out for rolling logs.

WARNING!

2. Cut only one log at a time.

WARNING!

3. Shattered wood should be cut very carefully. Sharp slivers of wood may be caught and flung in the direction of the operator of the saw.

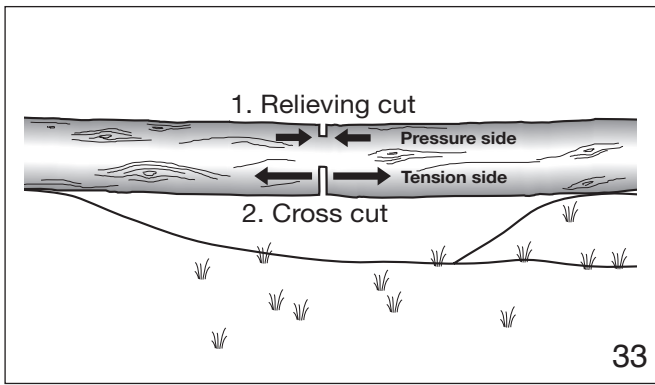


32

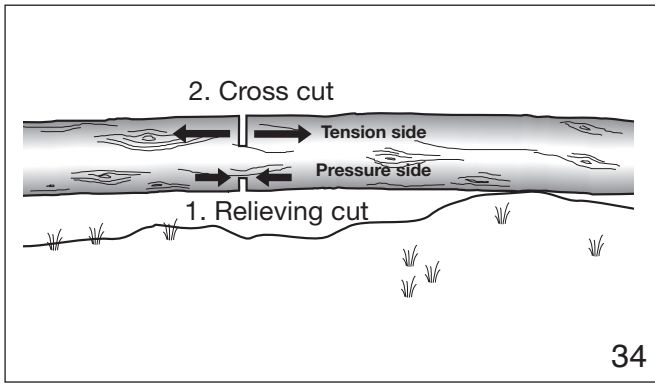
WARNING!

4. When cutting small logs, use a sawhorse (fig. 32). Never permit another person to hold the log. Never hold the log with your leg or foot.

At the end of the cut the weight of the chain saw will cause it to swing through, since it is no longer held by the cut. Hold it firmly to control this.



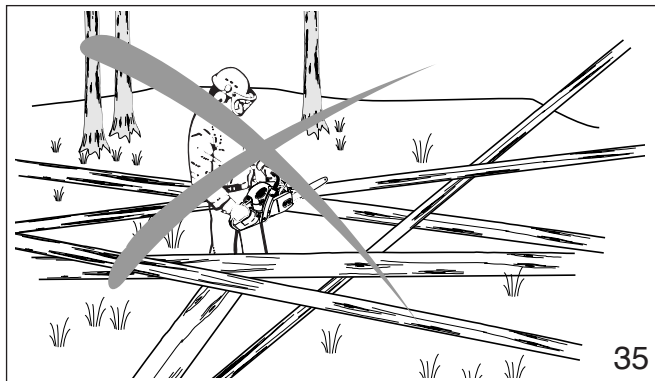
33



34

WARNING!

5. Logs under strain require special attention to prevent the saw from pinching. The first cut is made on the compression side to relieve the stress on the log (see fig. 33, 34). The bucking cut is then made as shown. If the saw pinches, stop the engine and remove it from the log.



35

WARNING!

6. Only properly trained professionals should work in an area where the logs, limbs and roots are tangled (i. e. a blowdown area, fig. 35). Working in blowdown areas is extremely hazardous.

WARNING!

7. Drag the logs into a clear area before cutting. Pull out exposed and cleared logs first.

Maintenance and Repair

Never operate a chain saw that is damaged, improperly adjusted or not completely or securely assembled.

Follow the maintenance and repair instructions in the appropriate section of this manual.

WARNING!

Always stop the engine and make sure that the chain is stopped before commencing any maintenance or repair work or cleaning the saw. Allow the chain saw to cool off before doing any maintenance work (burn hazard)!

When the chain saw is hot, do not cover it (with a tarp, blanket, newspaper or the like).

Let the chain saw cool down before putting it in a storage case or vehicle.

Chain saws with catalytic converter take longer to cool down!

Do not attempt any maintenance or repair work not described in this manual. Have such work performed by your MAKITA service shop only.

Maintaining and storing the saw

Keep the chain, bar and sprocket clean and lubricated; replace worn sprockets or chains.

Keep the chain sharp. You can spot a dull chain when easy-to-cut wood becomes hard to cut and burn marks appear on the wood.

Keep the chain at proper tension. Tighten all nuts, bolts and screws except the carburetor adjustment screws after each use.

Keep spark plug and wire connection tight and clean.

Store saws in a high or locked place, away from children.

The chain protection cover should always be put on.

Technical data		EA5600F
Stroke volume	cu. in (cm ³)	3.4 (55.6)
Bore	inch (mm)	1.77 (45)
Stroke	inch (mm)	1.38 (35)
Max. power at speed	hp / rpm	3.0 / 10,000
Max. torque at speed	Nm / rpm	3.5 / 7,500
Idling speed / max. engine speed with bar and chain	rpm	2,600 - 3,000 / 13,800
Clutch engagement speed	rpm	4,700
Sound pressure level at the operator's ear according to ISO 22868	dB(A)	104.4 / K _{PA} = 2.5
Carburetor	Type	Membranecarburetor
Ignition system	Type	electronic
Spark plug	Type	NGK BPMPR 7A
or spark plug	Type	--
Electrode gap	inch (mm)	.020 (0.5)
Fuel consumption at max. load per ISO 7293	kg/h	1.4
Specific consumption at max. load per ISO 7293	g/kWh	430
Fuel tank capacity	floz (l)	19.27 (0.57)
Chain oil tank capacity	floz (l)	10.82 (0.32)
Mixture ratio (fuel/two-stroke oil)		
- when using MAKITA High Performance oil		50 : 1
- when using other synthetic oils (oil quality must be JASO FD or ISO EGD)		50 : 1
Chain brake		engages manually or in case of kickback
Sprocket pitch	inch	.325 or 3/8
Number of teeth	Z	7
Chain type		see the Extract from the spare-parts list
Pitch / gauge	inch (mm)	.325, 3/8 / 0.050 (1.3 mm) or 0.058 (1.5 mm)
Guide bar, length of a cut	inch (cm)	15 (38) / 18 (45) / 20 (50)
Guide-bar type		see the Extract from the spare-parts list
Weight (fuel tank empty, without chain, guide bar and accessories) lbs		12.79

WARNING!

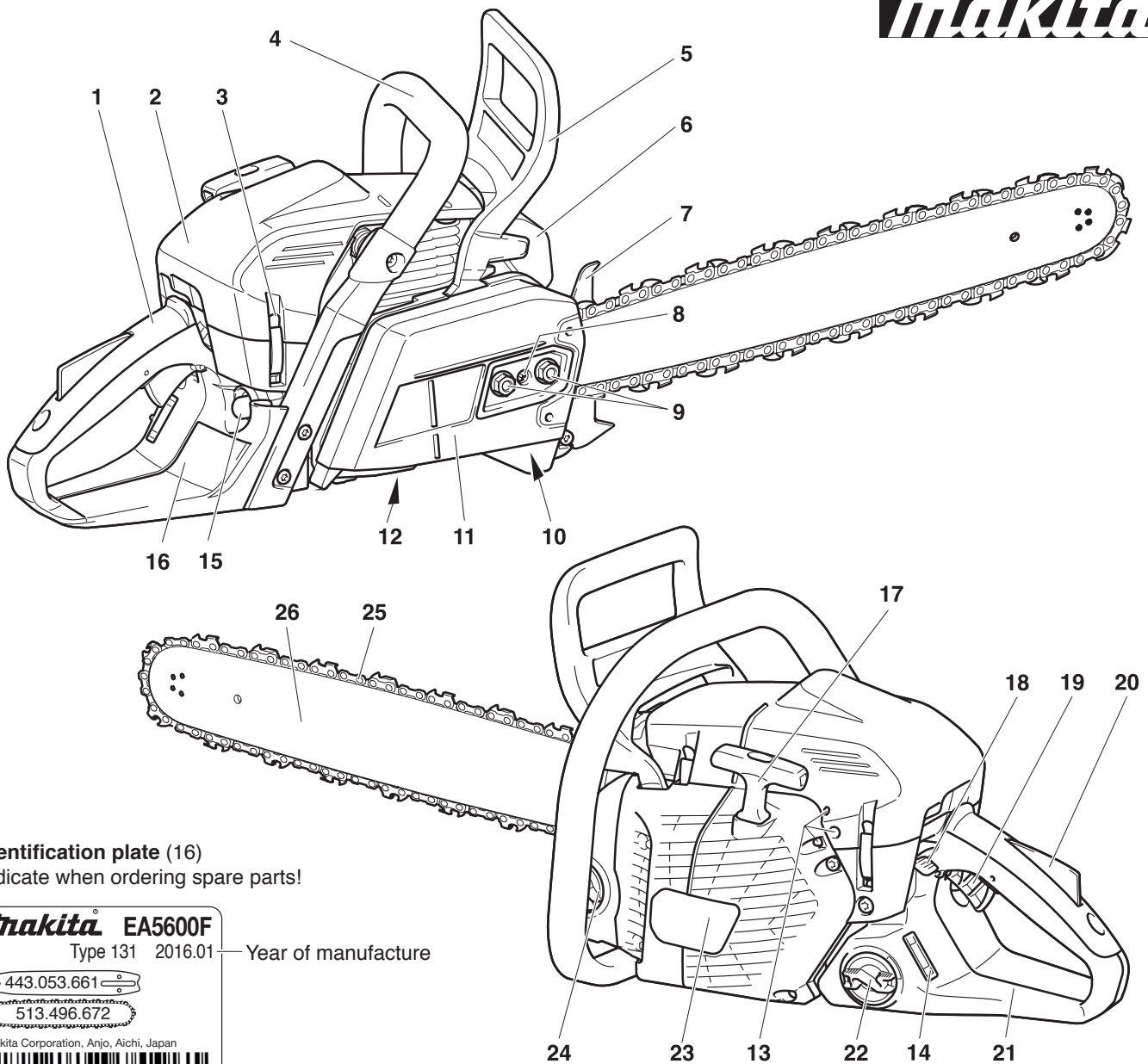
This chain saw is capable of severe kickback that could result in serious injury to the user. Do not operate this chain saw unless you have extraordinary cutting needs and experience and specialized training for dealing with kickback. Chain saws with significantly reduced kickback potential are available.

Packing

Your MAKITA chain saw comes delivered in a protective cardboard box to protect against shipping damage. Cardboard is a basic raw material and is consequently reuseable or suitable for recycling (waste paper recycling).

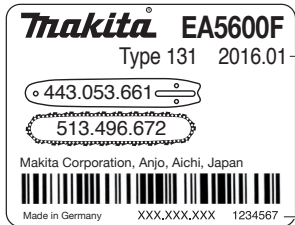


Denomination of components



Identification plate (16)

Indicate when ordering spare parts!



Year of manufacture

Serial number

- | | |
|---|--|
| 1 Handle | 14 Fuel gauge |
| 2 Cover | 15 Fuel pump (Primer) |
| 3 Hood lock | 16 Identification plate |
| 4 Tubular handle | 17 Starter grip |
| 5 Hand guard (release for chain brake) | 18 Combination switch
(Choke / ON / Stop / Safety position) |
| 6 Muffler | 19 Throttle lever |
| 7 Spike bar | 20 Safety locking button |
| 8 Chain tensioning screw | 21 Rear hand guard |
| 9 Retaining nuts | 22 Fuel tank cap |
| 10 Chain catch | 23 Fan housing with starting assembly |
| 11 Sprocket guard | 24 Oil tank cap |
| 12 Adjusting screw for oil pump (bottom side) | 25 Chain (Blade) |
| 13 Adjusting screws for carburetor | 26 Guide bar |

PUTTING INTO OPERATION

CAUTION:

Before doing any work on the guide bar or chain, always switch off the engine and pull the plug cap off the spark plug (see „Replacing the spark plug“). Always wear protective gloves!

CAUTION:

Start the chain saw only after having assembled it completely and inspected.



Mounting the guide bar and saw chain

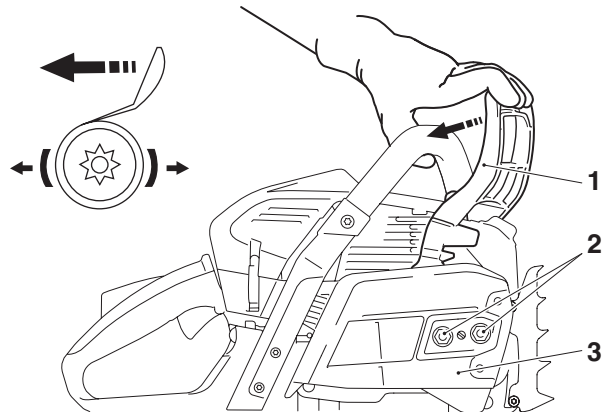
Use the universal wrench delivered with the chain saw for the following work.

Put the chain saw on a stable surface and carry out the following steps for mounting the guide bar and saw chain:

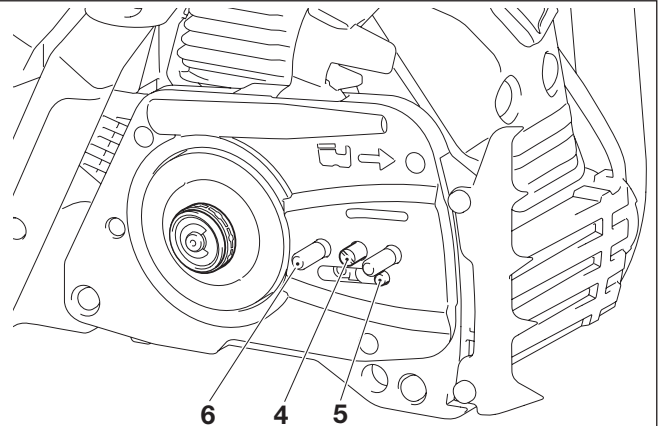
Release the chain brake by pulling the hand guard (1) in direction of arrow.

Unscrew retaining nuts (2).

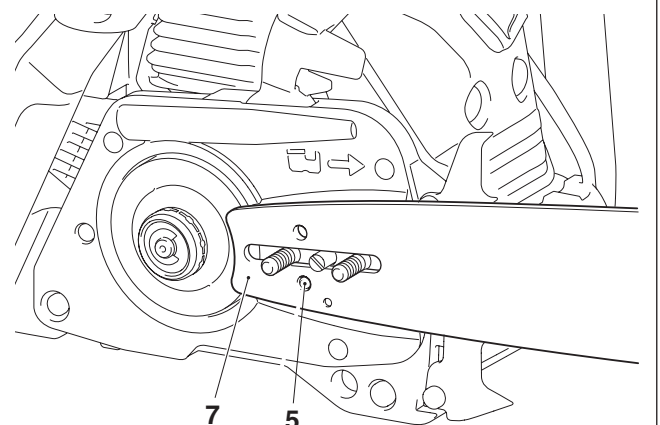
Pull off the sprocket guard (3).

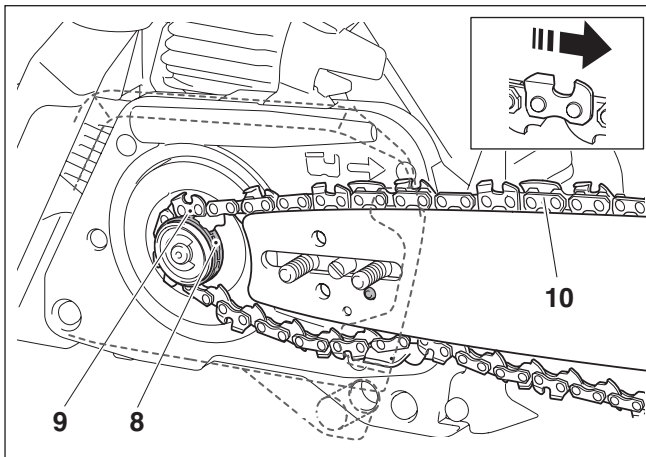


Turn chain tensioning screw (4) to the left (counter-clockwise) until the pin (5) of the chain tensioner is underneath the threaded pin (6).



Put on the guide bar (7). Make sure that the pin (5) of the chain tensioner engages in the hole in the guide bar.





Lift the chain (9) over the sprocket (8).

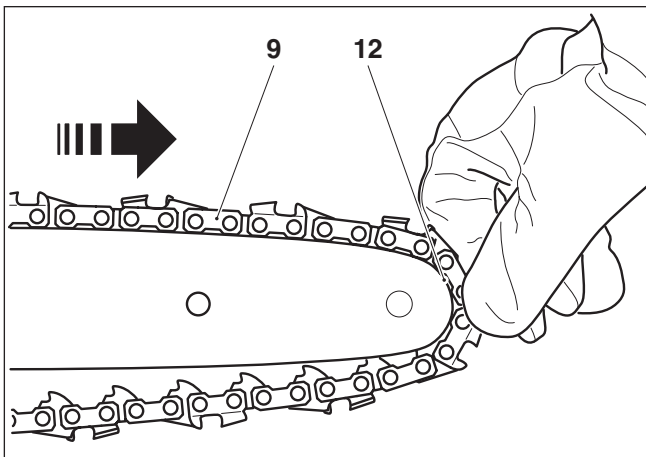
CAUTION:

Do not insert the chain **between the chain sprocket and the disc.**

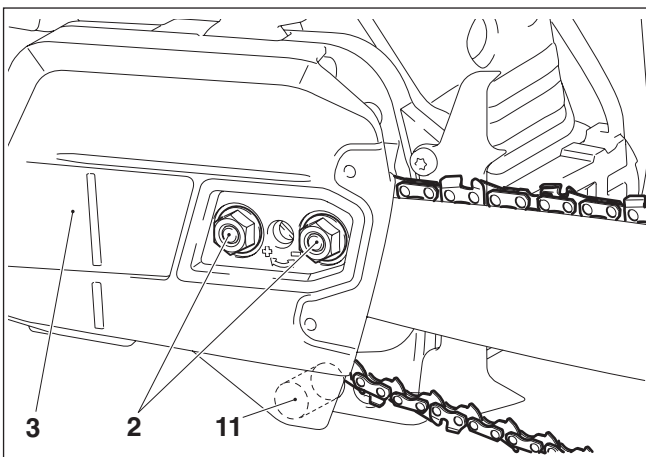
Guide the chain from above about halfway into the groove (10) on the guide bar.

CAUTION:

Note that the cutting edges along the top of the chain must point in the direction of the arrow!



Pull the chain (9) around the sprocket nose (12) of the guide bar in the direction of the arrow.



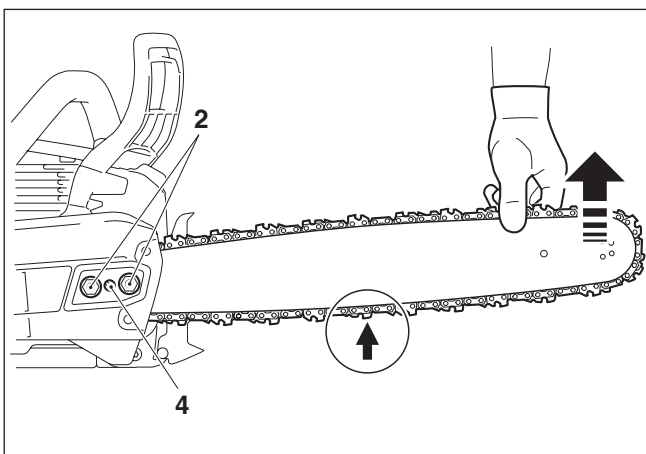
Replace the sprocket guard (3).



NOTE:

The chain must be placed on the chain catcher (11) and remain there.

Tighten the nuts (2) only hand-tight to begin with.



Tightening the saw chain

Turn the chain tensioning screw (4) to the right (clockwise) until the saw chain catches in the groove on the lower side of the guide bar (see circle).

Slightly lift the end of the guide bar and turn the chain adjusting screw (4) to the right (clockwise) until the chain rests against the bottom side of the guide bar.

While still holding up the tip of the guide bar, tighten the retaining nuts (2) with the universal wrench.

Checking the chain tension

The tension of the chain is correct if the chain rests against the bottom side of the guide bar and can still be easily turned by hand.

While doing so the chain brake must be released.

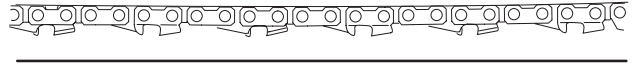
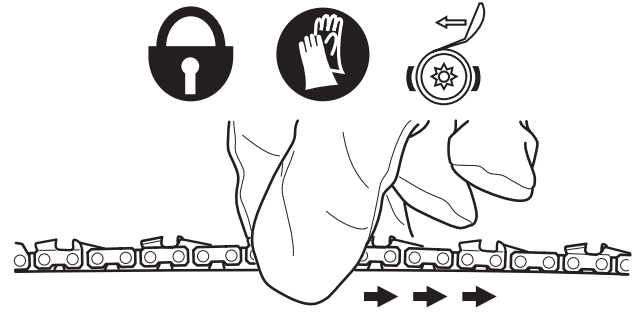
Check the chain tension frequently - new chains tend to get longer during use!

When checking the chain tension the engine must be switched off.

NOTE:

It is recommended to use 2-3 chains alternatively.

In order to guarantee uniform wear of the guide bar the bar should be turned over whenever replacing the chain.

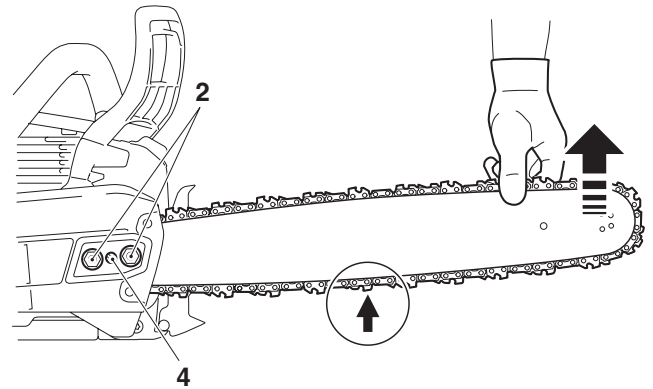


Retightening the saw chain

Loosen the nuts (2) about one turn with the universal wrench.

Raise the tip of the guide bar a little and turn the chain tensioning screw (4) to the right (clockwise) until the saw chain is again up against the bottom edge of the guide bar (see circle).

While keeping the tip of the guide bar raised, tighten the nuts (2) again with the universal wrench.



Chain brake

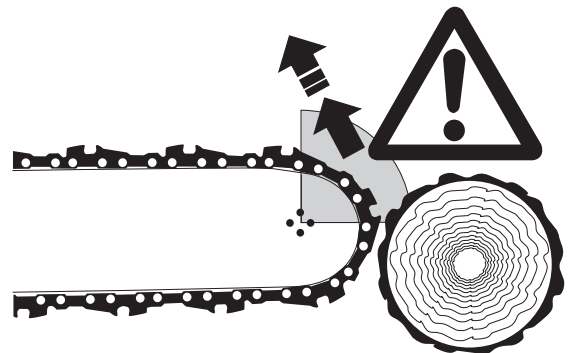
The EA5600F comes with an inertia chain brake as standard equipment. If kickback occurs due to contact of the guide-bar tip with wood (see SAFETY PRECAUTIONS, page 8, 12), the chain brake will stop the chain through inertia if the kickback is sufficiently strong.

The chain will stop within a fraction of a second.

The chain brake is installed to block the saw chain before starting it and to stop it immediately in case of an emergency.

IMPORTANT: NEVER run the saw with the chain brake activated (except for testing, see "Testing chain brake")! Doing so can very quickly cause extensive engine damage!

ALWAYS release the chain brake before starting the work!



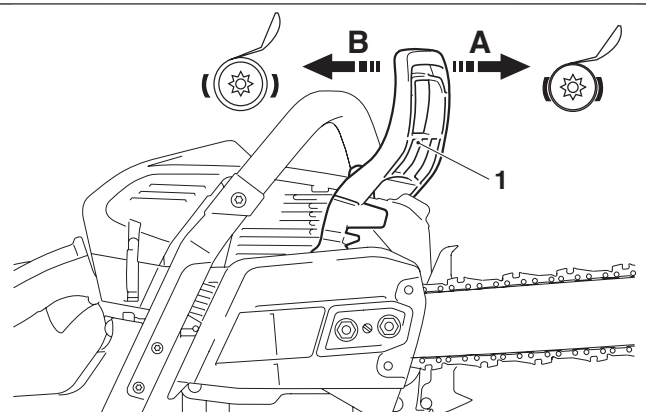
Engaging the chain brake (braking)

If the kickback is strong enough the sudden acceleration of the guide bar combined with the inertia of the hand guard (1) will **automatically** actuate the chain brake.

To engage the chain brake **manually**, simply push the hand guard (1) forward (towards the tip of the saw) with your left hand (arrow A).

Releasing the chain brake

Pull the hand guard (1) towards you (arrow B) until you feel it catch. The brake is now released.



Fuel

CAUTION:

This saw is powered by petroleum products (gasoline (petrol) and oil).

Be especially careful when handling gasoline (petrol).

Do not smoke. Do not allow gasoline to come near flames, sparks or fire (explosion hazard).

Fuel mixture

This tool is powered by a high-performance air-cooled two-stroke engine. It runs on a mixture of gasoline and two-stroke engine oil.

The engine is designed for unleaded regular gasoline with a min. octane value of 89 (R+M)/2. In case no such fuel is available, you can use fuel with a higher octane value. This will not affect the engine.

In order to obtain an optimum engine output and to protect your health and the environment use unleaded fuel only.

To lubricate the engine, use a synthetic oil for two-stroke air-cooled engines (quality grade: JASO FD or ISO EGD), which has to be added to the fuel. The engine has been designed for use of MAKITA High Performance two-stroke engine oil and a mixture ratio of ONLY 50:1 to protect the environment. In addition, a long service life and reliable operation with a minimum emission of exhaust gases are ensured. MAKITA High Performance two-stroke engine oil is available in the following sizes:

2.6 oz order number T-00745

6.4 oz order number T-00739

In case MAKITA High Performance two-stroke engine oil is not available, it is recommended to use a mixture ratio of 50:1 with other synthetic two-stroke engine oils, as otherwise optimum operation of the engine cannot be guaranteed.

The correct mixture ratio:

50:1 when using MAKITA High Performance two-stroke engine oil, i. e. mix 50 parts gasoline with 1 part oil.

50:1 when using other synthetic two-stroke engine oils (quality grade JASO FD or ISO EGD), i. e. mix 50 parts gasoline with 1 part oil.

NOTE:

For preparing the fuel-oil mixture first mix the entire oil quantity with half of the fuel required, then add the remaining fuel. Thoroughly shake the mixture before filling it into the chain saw tank.



Gasoline	50:1 MAKITA oil	50:1 other oil
1.0 Us-gal. (3.7 l) 2.5 Us-gal. (9.4 l) 5.0 Us-gal. (18.9 l)	2.6 floz. (75 cm ³) 6.4 floz. (189 cm ³) 12.8 floz. (378 cm ³)	

It is not wise to add more engine oil than specified to ensure safe operation. This will only result in a higher production of combustion residues which will pollute the environment and clog the exhaust channel in the cylinder as well as the muffler. In addition, fuel consumption will rise and performance will decrease.

The Storage of Fuel

Fuels have a limited storage life. Fuel and fuel mixtures age through evaporation, especially at high temperatures. Aged fuel and fuel mixtures can cause starting problems and damage the engine. Purchase only that amount of fuel, which will be consumed over the next few months. At high temperatures, once fuel has been mixed it should be used up in 6-8 weeks.

Use only approved and marked containers for transport and storage. Store fuel only in dry, cool and secure locations!

AVOID SKIN AND EYE CONTACT

Mineral oil products degrease your skin. If your skin comes in contact with these substances repeatedly and for an extended period of time, it will desiccate. Various skin diseases may result. In addition, allergic reactions are known to occur.

Eyes can be irritated by contact with oil. If oil comes into your eyes, immediately wash them with clear water. If your eyes are still irritated, see a doctor immediately!

Chain oil



Use an oil with adhesive additive for lubricating the chain and guide bar. The adhesive additive prevents the oil from being flung off the chain too quickly.

We recommend the use of chain oil which is bio-degradable in order to protect the environment. The use of bio-degradable oil may even be required by local regulations.

The chain oil BIOTOP sold by MAKITA is made of special vegetable oils and is 100% bio-degradable. BIOTOP has been granted the „blue angel“ (Blauer Umweltschutz-Engel) for being particularly environment-friendly (RAL UZ 48).



Bio-degradable oil is stable only for a limited period of time. It should be used within 2 years from the date of manufacture (printed on the container).

Important note on bio-degradable chain oils

If you are not planning to use the saw again for an extended period of time, empty the oil tank and put in a small amount of regular engine oil (SAE 30), and then run the saw for a time. This is necessary to flush out all remaining bio-degradable oil from the oil tank, oil-feed system, chain and guide bar, as many such oils tend to leave sticky residues over time, which can cause damage to the oil pump or other parts.

The next time you use the saw, fill the tank with BIOTOP chain oil again. In case of damage caused by using waste oil or inappropriate chain oil the product guarantee will be null and void.

Your salesman will inform you about the use of chain oil.

NEVER USE WASTE OIL

Waste oil is very dangerous for the environment.

Waste oil contains high amounts of carcinogenic substances.

Residues in waste oil result in a high degree of wear and tear at the oil pump and the sawing device.

In case of damage caused by using waste oil or inappropriate chain oil the product guarantee will be null and void.

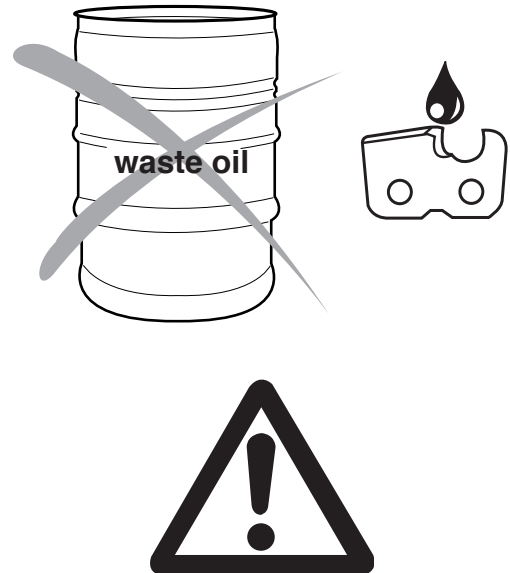
Your salesman will inform you about the use of chain oil.

AVOID SKIN AND EYE CONTACT

Mineral oil products degrease your skin. If your skin comes in contact with these substances repeatedly and for an extended period of time, it will desiccate. Various skin diseases may result. In addition, allergic reactions are known to occur.

Eyes can be irritated by contact with oil. If oil comes into your eyes, immediately wash them with clear water.

If your eyes are still irritated, see a doctor immediately!



Refuelling



FOLLOW THE SAFETY PRECAUTIONS!

Be careful and cautious when handling fuels.

The engine must be switched off!

Thoroughly clean the area around the caps, to prevent dirt from getting into the fuel or oil tank.

Unscrew the tank cap (use the universal wrench if necessary, see illustration) and fill tank with fuel mixture or saw chain oil up to the bottom edge of the filling neck. Be careful not to spill fuel or chain oil!

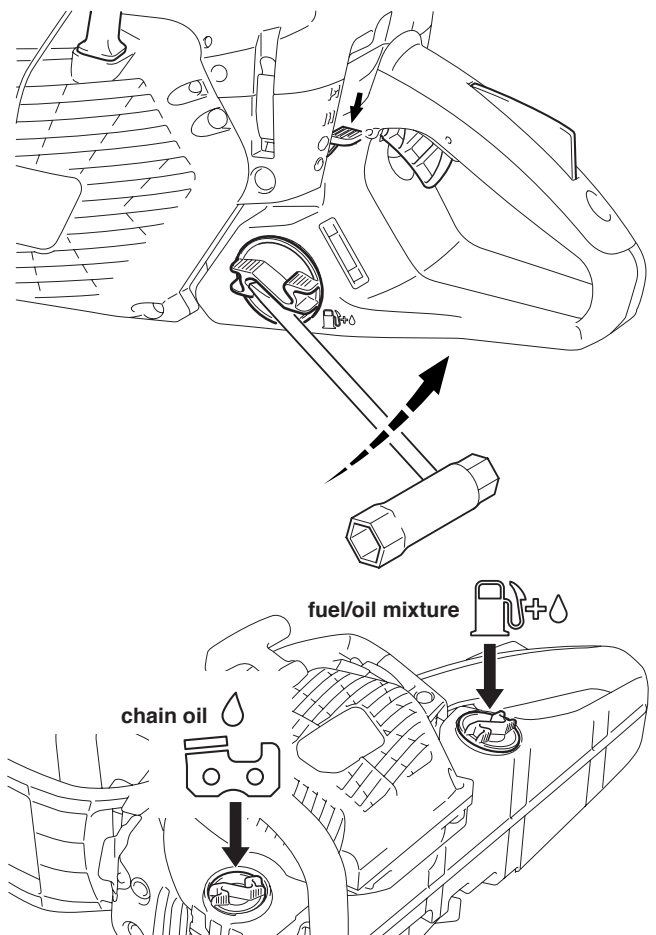
Screw on the tank cap **by hand all the way**.

Clean the tank cap and the area around the tank after refuelling.

Lubricating the chain



During operation there must always be sufficient chain oil in the chain-oil tank to provide good chain lubrication. At medium oil feed rate, the oil tank holds enough for one fuel tank's worth of operation. During this procedure check whether there is enough the chain oil in the tank and refill if necessary. **Do this only with the engine turned off!** Screw on the tank cap **by hand all the way**.





Checking the chain lubrication

Never work with the chain saw without sufficient chain lubrication. Otherwise the service life of the chain and guide bar will be reduced. Before starting work check the oil level in the tank and the oil feed.

Check the oil feed rate as described below:

Start the chain saw (see „Starting the engine“).

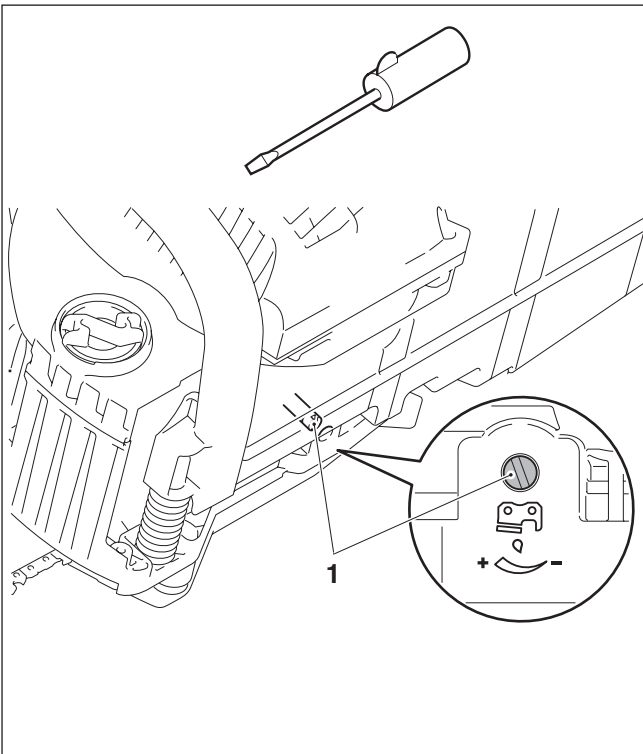
Hold the running chain saw approx. 6" (15 cm) above a trunk or the ground (use an appropriate base).

If the lubrication is sufficient, you will see a light oil trace because oil will be flung off the sawing device. Pay attention to the direction the wind is blowing and avoid unnecessary exposure to the oil spray!

Note:

After the saw has been turned off it is normal for residual chain oil to drip from the oil feed system, the guide bar and the chain for a time. This does not constitute a defect!

Place the saw on a suitable surface.



Adjusting the chain lubrication



The engine must be switched off!

You can adjust the oil pump feed rate with the adjusting screw (1). The adjusting screw is on the bottom side of the housing.

The oil pump comes factory-set to a medium feed rate. You can set the chain oil feed rate to minimum, moderate, and maximum feed rate.

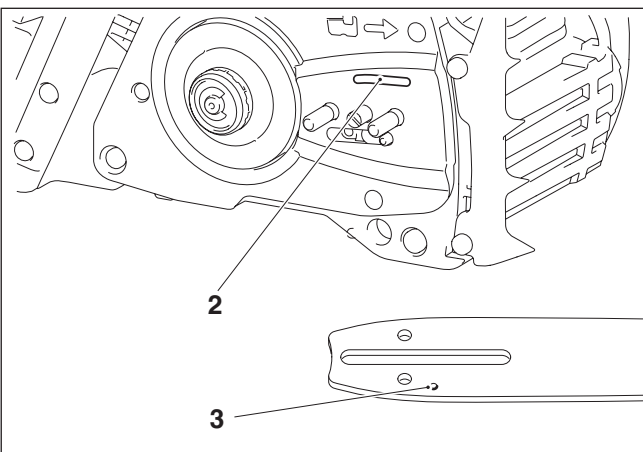
To adjust the supply rate, use a small screwdriver to turn the adjusting screw:

- to the right for a faster
- to the left for a slower

oil feed rate.

Pick one of the four settings depending on the length of the guide bar.

While working make sure there is enough chain oil in the tank. If necessary, add oil.



To ensure troublefree operation of the oil pump the oil guide groove at the crank case (2) and the oil inlet bore in the guide bar (3) must be cleaned regularly.

Note:

After the saw has been turned off it is normal for residual chain oil to drip from the oil feed system, the guide bar and the chain for a time. This does not constitute a defect!

Place the saw on a suitable surface.

Starting the engine

Do not start the chain saw until after it is completely assembled and checked!

Move at least 3 meters / 10 feet away from the place where the chain saw was fuelled.

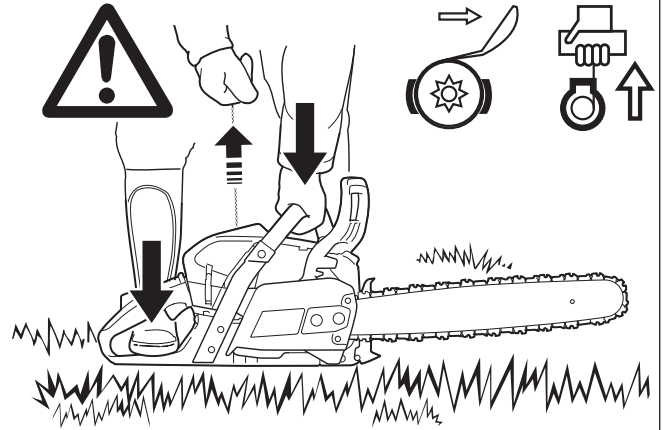
Make sure you have a secure footing, and place the saw on the ground in such a way that the guide bar and chain are not near anything.

Actuate the chain brake (block it).

Hold the front handle firmly with one hand and press the saw against the ground.

Hold the down rear handguard with your right foot as shown.

Note: The Featherlight-Start System lets you start the saw without effort. Go through the starting procedure smoothly and evenly.



Cold starting:

Prime the fuel pump (5) by pressing it several times until you can see fuel in the pump.

Move the combination switch (1) up (choke position). This also actuates the half-throttle lock.

Pull the starter handle (2) smoothly and evenly.

CAUTION: Do not pull the starter cable more than about 20" (50 cm) out, and let it back in slowly by hand.

Repeat the starting procedure twice.

Move the combination switch (1) to the central "ON" position. Pull the starter handle smoothly and evenly again. As soon as the engine is running, grasp the rear handle (the safety lock button (3) is actuated by the palm of the hand) and press the throttle trigger (4).

CAUTION: The engine must be put in idle immediately after starting. If this is not done, the clutch can be damaged.

Now disengage the chain brake.




Warm starting:

As described above for cold starting, but before starting push the combination switch (1) up (Choke position) and then right away back to the middle "ON" position. This is only to engage the half-throttle lock. If the engine doesn't start after 2 or 3 pulls, repeat the entire starting procedure as described for cold starting.


NOTE: If the engine was switched off only for a short time, the saw can be started without using the combination switch.

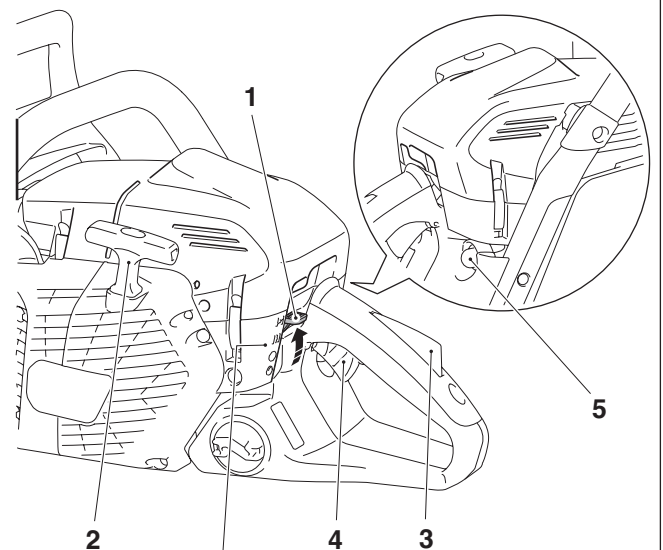
Important: If the fuel tank has been completely emptied and the engine has stopped due to lack of fuel prime the fuel pump (5) by pressing it several times until you can see fuel in the pump.





Stopping the engine

Push the combination switch (1) down into the  position.

NOTE: After being pressed down, the combination switch will revert to the ON position again. The ignition current is interrupted, but can also be started without operating the combination switch again.

CAUTION: Depress the combination switch completely, overcoming the resistance, to position  in order to reach the safety position.



-  — **Cold start** (Choke)
-  — **Warm start** (ON)
-  — **Switch off engine** (STOP)
-  — **Safety position**
(Ignition current is interrupted, necessary for maintenance and assembly work)



Checking the chain brake

The chain brake must be checked before every use of the saw!

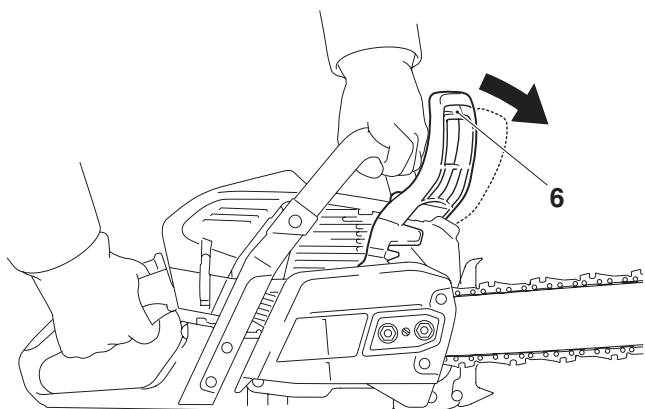
Start the engine as described above (have a secure footing, place the chain saw on the ground so that the chain and guide bar are not near anything).

Hold the front handle firmly, with your other hand on the rear grip.

Let the engine run at medium speed and push the handguard (6) in the direction of the arrow using the back of your hand, until the chain brake engages. The chain should now stop immediately.

Bring the engine back to idle and release the chain brake.

Caution: If the chain does not stop immediately in this test, turn off the engine immediately. Do NOT use the chain saw in this condition! Contact a MAKITA service center.



Symbol  - Normal operation

Symbol  - Winter operation

Working in winter



In order to prevent carburetor icing in conditions of low temperature combined with high humidity, and below + 5°C (40°F) in order to get up to operating temperature faster, heated air can be taken from the cylinder.

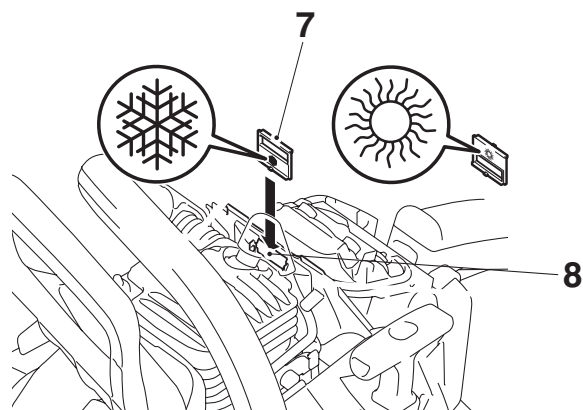
Remove the cover (see "Cleaning the air filter").

Remove the insert (7) and insert it as shown for winter operation.

If the temperature is above + 5°C (40°F) the engine needs to induct cold air. **If this is not done, the cylinder and piston can be damaged!**

For temperatures above + 5°C (40°F) turn the insert 180° so that after it is inserted the induction opening (8) is closed.

Put the cover back on.



Adjusting the carburetor

CAUTION: Carburetor adjustment may only be done by a specialist MAKITA service center!



SERVICE

Only adjusting screw (T) can be manipulated by the user. If the saw chain moves in idle (i.e. without the throttle being pressed), it is imperative to correct the idle speed!

Do not adjust the idle speed until after complete assembly and testing of the saw!

Idle speed adjustment must only be undertaken when the engine is warm, with a clean air filter and properly installed guide bar and chain.

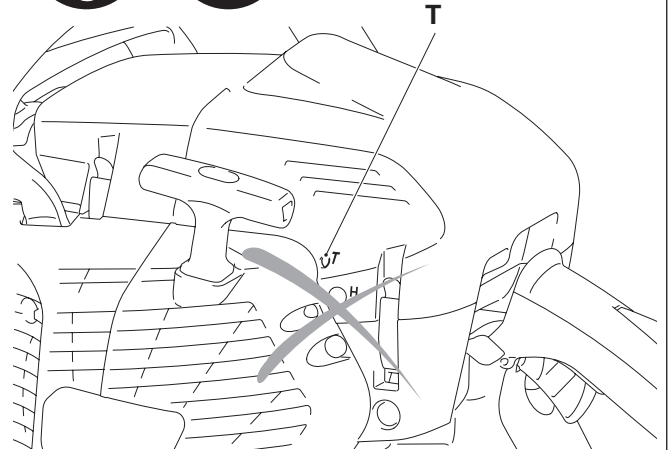
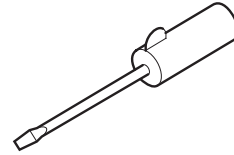
Use a screwdriver (4 mm blade) for idle adjustments.

Adjusting the idle speed

Turn adjusting screw (T) counter-clockwise (unscrew): Idle speed decreases.

Turn adjusting screw (T) clockwise (screw in): Idle speed increases.

Important: If the saw chain still moves during idle even after you have adjusted the idle speed, do NOT use the saw. Take it to a MAKITA service center!

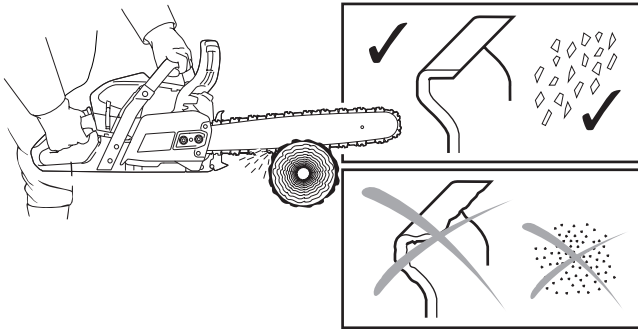




MAINTENANCE

Sharpening the saw chain

CAUTION: Before doing any work on the guide bar or chain, always switch off the engine and pull the plug cap off the spark plug (see „Replacing the spark plug“). Always wear protective gloves!



The chain needs sharpening when:

The sawdust produced when sawing damp wood looks like wood flour.

The chain penetrates the wood only under great pressure.

The cutting edge is visibly damaged.

The saw is pulled to the left or right when sawing. This is caused by uneven sharpening of the chain.

Important: Sharpen frequently, but without removing too much metal!

Generally, 2 or 3 strokes of the file will be enough.

Have the chain resharpened at a service center when you have already sharpened it yourself several times.

Proper sharpening:

CAUTION: Use only chains and guide bars designed for this saw (see the Extract from the spare-parts list)!

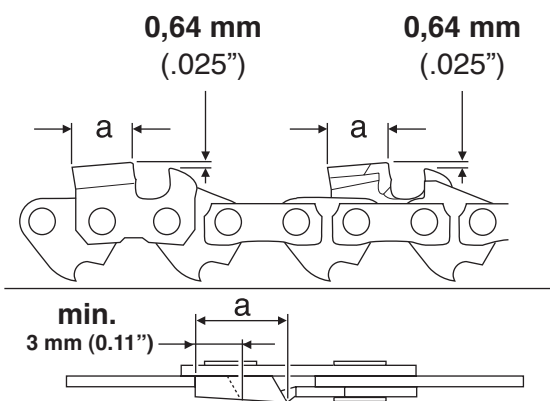
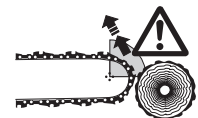
All cutters must be of the same length (dimension a). Cutters with different lengths result in rough running of the chain and can cause cracks in the chain.

The minimum cutter length: 3 mm. Do not resharpen the chain when the minimum cutter length has been reached; at this point, the chain must be replaced (see the Extract from the spare-parts list and „Replacing the saw chain“).

The depth of the cut is determined by the difference in height between the depth limiter (round nose) and the cutting edge.

The best results are obtained with a depth-limiter depth of 0.64 mm (.025“).

CAUTION: Excessive depth increases the risk of kickback!



The sharpening angle (α) must be identical for all cutters!

25° for chain type 496, 686, 099

30° for chain type 082, 086

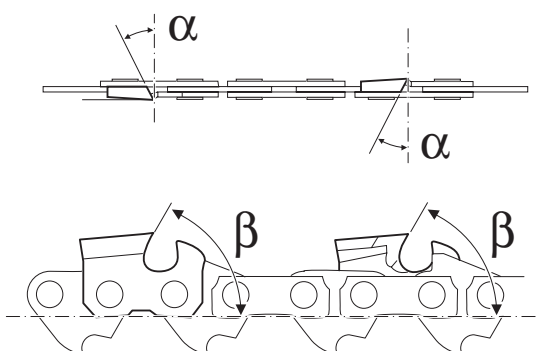
35° for chain type 093

The teeth will have the proper angle (β) automatically if the proper round file is used.

60° for chain type 496, 686, 099

85° for chain type 082, 086, 093

Different angles result in a roughly, irregularly running chain, increase wear and tear and cause chain beakage.



Files and how to work with them

Use a special saw chain round file for sharpening. Standard round files are unsuitable. For the order number, see "Accessories".

Type 082, 086, 686: File the first cutter half with a 4,8 mm dia. round saw-chain file, then switch to a 4,5 mm dia. file.

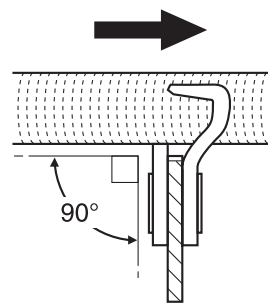
Type 496, 093, 099: File the first cutter half with a 5,5 mm dia. round saw-chain file, then switch to a 4,8 mm dia. file.

The file should cut only when pushed forwards (arrow). Lift the file when leading it backwards.

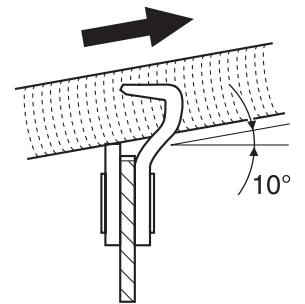
First sharpen the shortest cutter. The length of this cutter is then the standard for all other cutters of the chain.

New saw teeth must be filed to the exact same shape as the used teeth, including on their running surfaces.

File depending on chain type (90° or 10° to the guide bar).



Chain typ
093



Chain typ
082, 086, 686, 099, 496

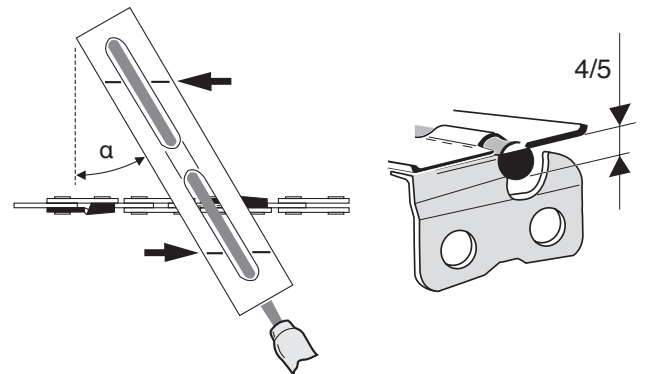
A file holder makes file guidance easier. It is marked for the correct sharpening angle of:

$\alpha = 25^\circ$ (496, 686, 099)

$\alpha = 30^\circ$ (082, 086)

$\alpha = 35^\circ$ (093)

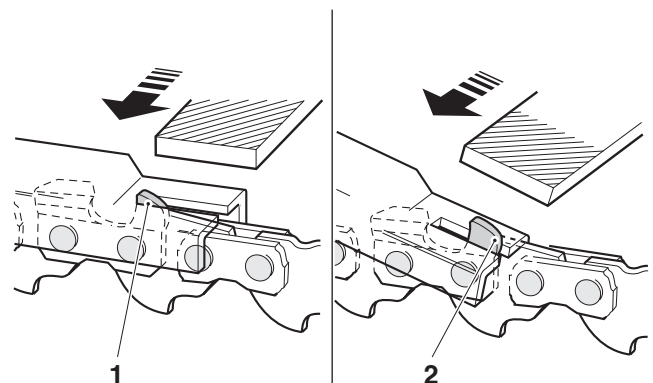
(keep the marks parallel with the chain when filing, see illustration) and limits the cut depth to the correct 4/5 of the file diameter. See "Accessories" for the order number.

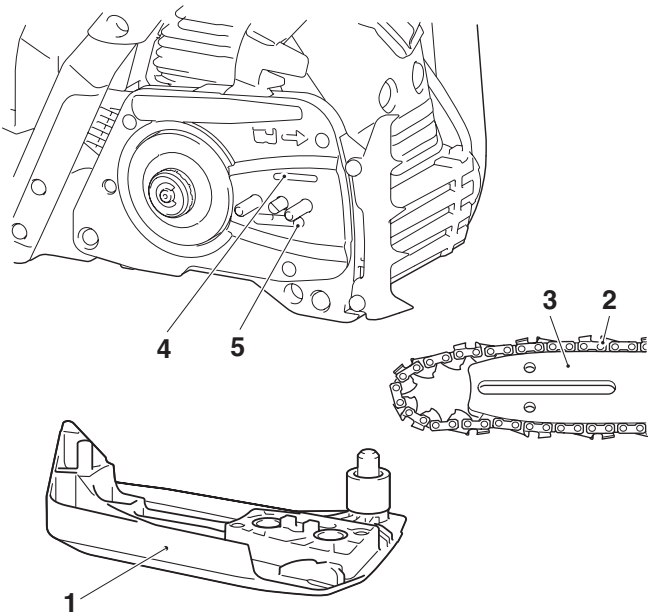


After having sharpened the chain, the height of the depth limiter must be checked by means of a chain gauge. See „Accessories“ for the order number.

Correct even the smallest excess height with a special flat file (1). See „Accessories“ for the order number.

Round off the front of the depth limiter (2).





Cleaning the inside of the sprocket guard

CAUTION: Before doing any work on the guide bar or chain, always switch off the engine and pull the plug cap off the spark plug (see „Replacing the spark plug“). Always wear protective gloves!

CAUTION: Start the chain saw only after having assembled it completely and inspected.

Remove the sprocket guard (1) (see PUTTING INTO OPERATION) and clean out the interior with a brush.

Remove the chain (2) and guide bar (3).

NOTE:

Make sure there are no residues or foreign matter remaining in the oil guide groove (4) or on the chain tensioner (5).

To install the guide bar, saw chain, and sprocket guard, see PUTTING INTO OPERATION.

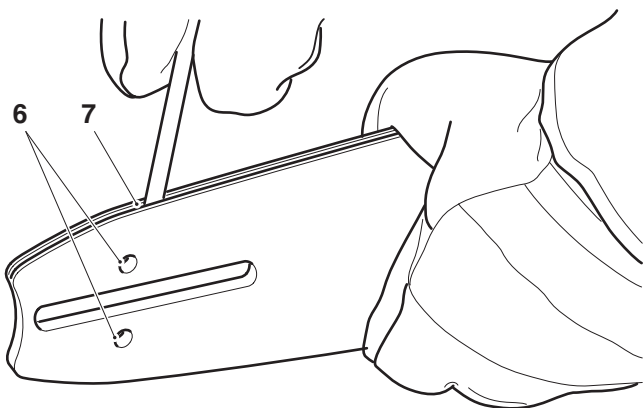
NOTE:

The chain brake is a very important safety device and like any other component subject to normal wear and tear.

Regular inspection and maintenance are important for your own safety and must be done by a MAKITA service center.



SERVICE



Cleaning the guide bar

CAUTION: Protective gloves must be worn.

Regularly inspect the bearing surfaces of the guide bar (7) for damage, and clean them with a suitable tool.

Keep the two oiling holes (6) and the entire guide bar clean and free of foreign matter!

Replacing the saw chain

CAUTION: Use only chains and guide bars designed for this saw (see the Extract from the spare-parts list)!

When changing the type of chain, the chain sprocket (11) will need to be modified for the chain type. It may be necessary to replace the chain sprocket.

Check the sprocket before mounting a new chain.

Worn out sprockets (8) may damage the new chain and must therefore be replaced.

Remove the sprocket guard (See „PUTTING INTO OPERATION“).

Remove the chain and guide bar.

Remove circlip (9).

CAUTION: The circlip will pop out of the groove. When removing it, hold your thumb against it to prevent it from popping off.

Remove washer (10).

Replace the old sprocket (8) with a new one (11). For the part number consult the “Extract from the spare parts list”.

Install a new chain sprocket, washer and circlip (9) (for the part numbers see “Extract from the spare parts list”).

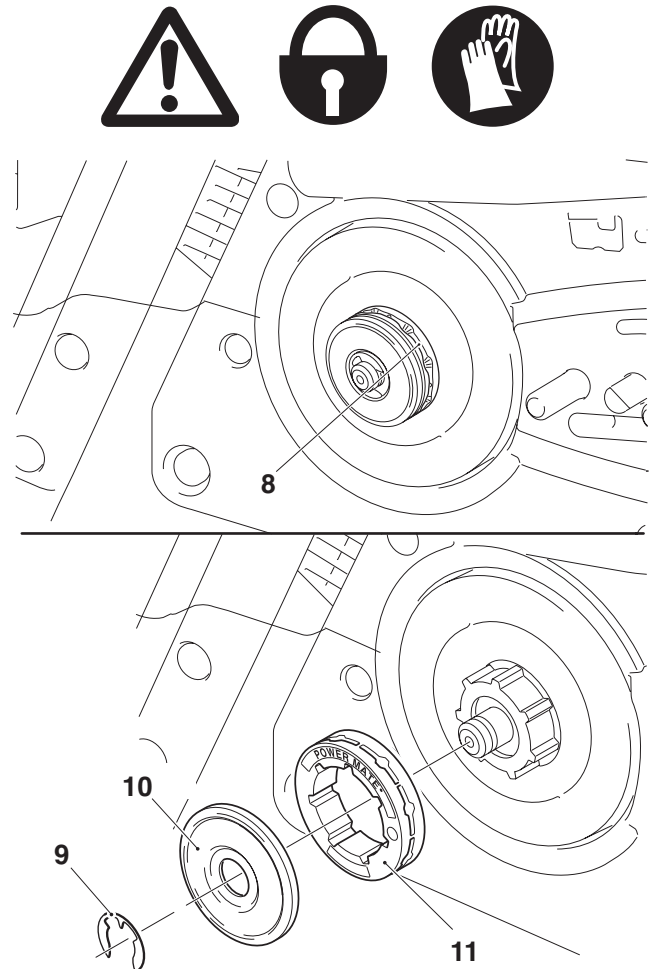
For replacing the guide bar, chain, and sprocket see „PUTTING INTO OPERATION“.

NOTE:

Do not use a new chain with a worn chain sprocket. Replace the chain sprocket after no more than two worn out chains. Let the new chain run at half-speed for a few minutes to distribute the chain oil evenly.

New chains stretch, so check the chain tension frequently (see “Checking the chain tension”).

Change the clutch drum after two worn out chain sprockets.



Cleaning the air filter



CAUTION: To prevent eye injury, always wear eye protection when cleaning the filter with compressed air!

Do not clean the air filter with fuel or flammable liquids!

Disengage the hood clips (5) with the combination tool and remove the hood (2).

Push up the combination switch (3) (Choke position) to prevent dirt particles from falling into the carburetor.

Turn the air filter lock (1) counter clockwise to disengage it and lift away the air filter (4).

IMPORTANT: Cover the intake opening with a clean cloth to prevent dirt particles from getting into the carburetor.

Cleaning the filter: Carefully tap out dust or carefully blow out dust from the inside with compressed air. Do not brush the fleece, as this will force dirt particles into the fabric. If the filter is very dirty, wash it out in a lukewarm solution of dishwashing liquid and rinse it out from the inside under running water. Note that the filter does not need to be cleaned until there is a noticeable loss of power. If cleaning the filter does not bring an improvement in performance, it is time to replace it.

Let the air filter **dry out thoroughly**.

NOTE: Do not dry it with a heat source.

Before assembling the air filter, check the choke flap for any dirt particles. If there are any, remove them with a brush.

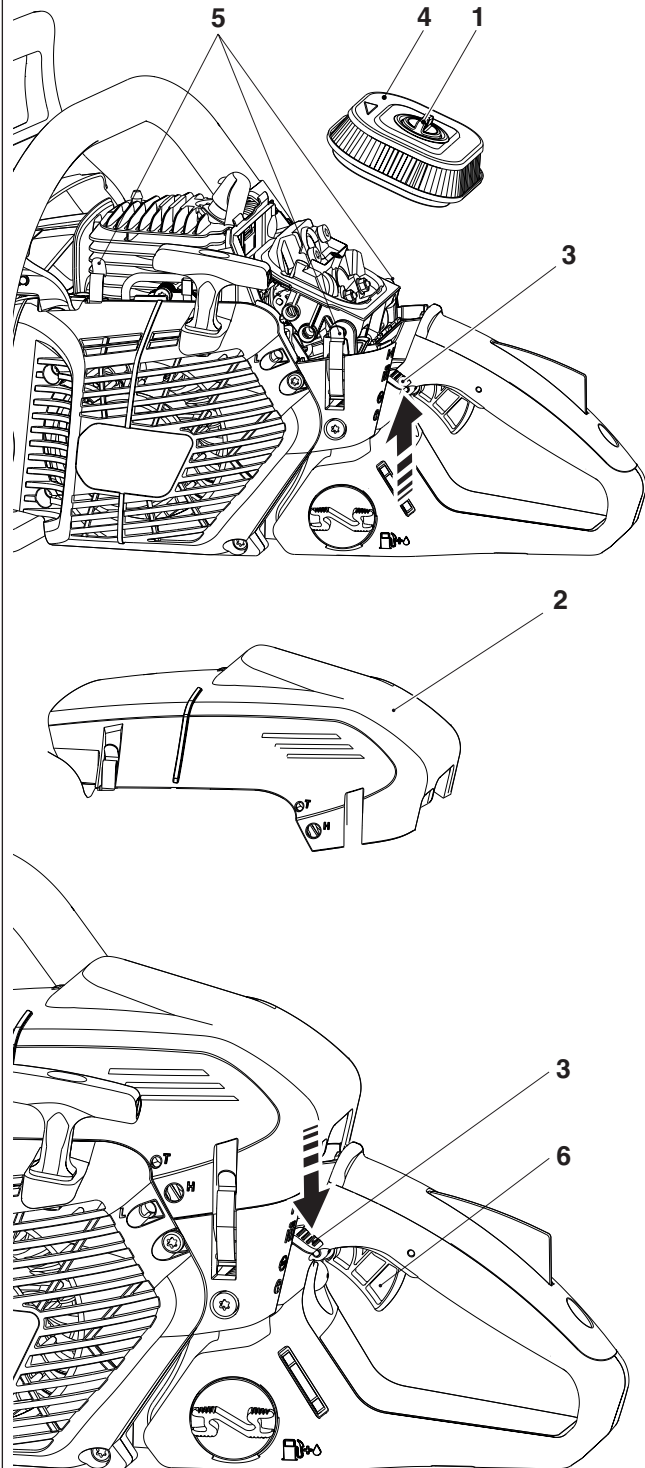
CAUTION: If the air filter becomes damaged, replace immediately! Pieces of cloth or large dirt particles can destroy the engine!

Put in the air filter (4) and make sure it is evenly seated in its space.

Turn the air filter lock (1) clockwise to tighten it.

Push down the combination switch (3) and press the throttle lock (6) all the way down one time in order to deactivate the throttle lock.

Put on the hood (2) and lock it by pressing in the hood clips (5).



Replacing the spark plug



CAUTION:

Do not touch the spark plug or plug cap if the engine is running (high voltage).

Switch off the engine before starting any maintenance work. A hot engine can cause burns. Wear protective gloves!

The spark plug must be replaced in case of damage to the insulator, electrode erosion (burn) or if the electrodes are very dirty or oily.

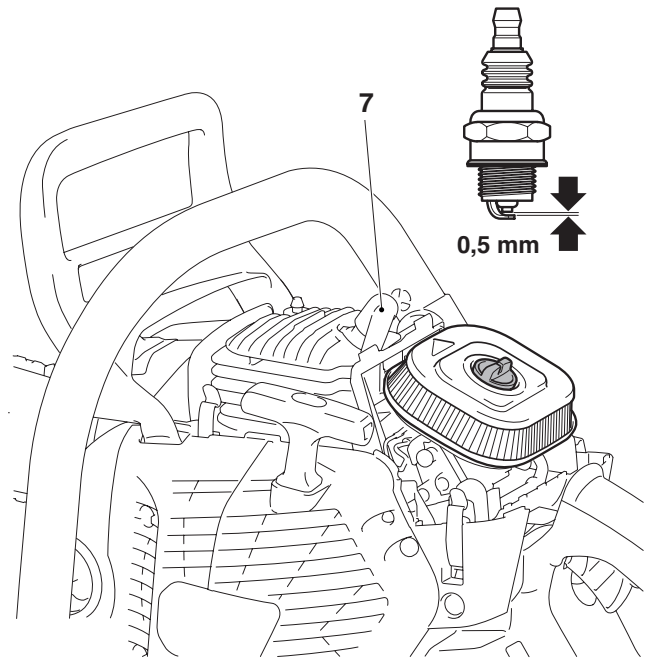
Remove the filter cover (see „Cleaning the air filter“).

Pull the plug cap (7) off the spark plug. Use only the combination wrench supplied with the saw to remove the spark plug.

Electrode gap

The electrode gap must be .020" (0.5 mm).

CAUTION: Use only the following spark plug: NGK BPMR 7A.



Checking the ignition spark



Insert combination tool between hood and cylinder as shown.

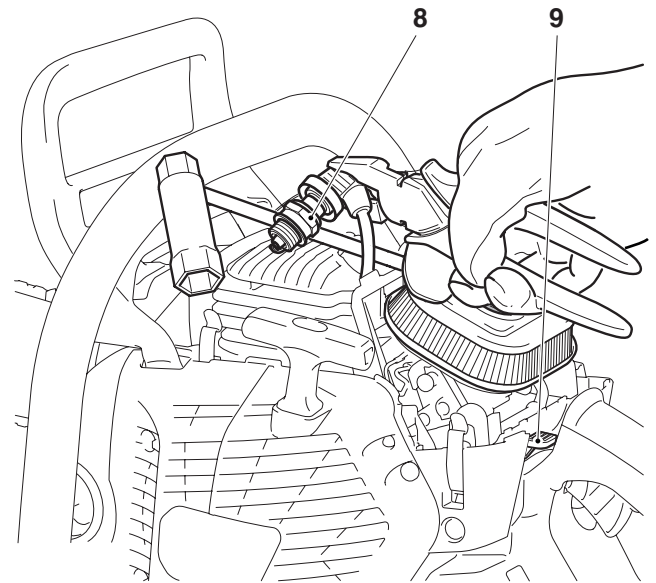
CAUTION! Do not insert the combination tool into the spark plug hole! Make contact only with the cylinder (otherwise you might damage the engine).

Using insulated pliers, press the unscrewed spark plug (8) against the combination tool (away from the spark plug hole) with the spark plug cap firmly on the plug.

Put combination switch (9) in the **ON** position.

Pull the starter cable hard.

If the function is correct, an ignition spark must be visible near the electrodes.



Checking the muffler screws



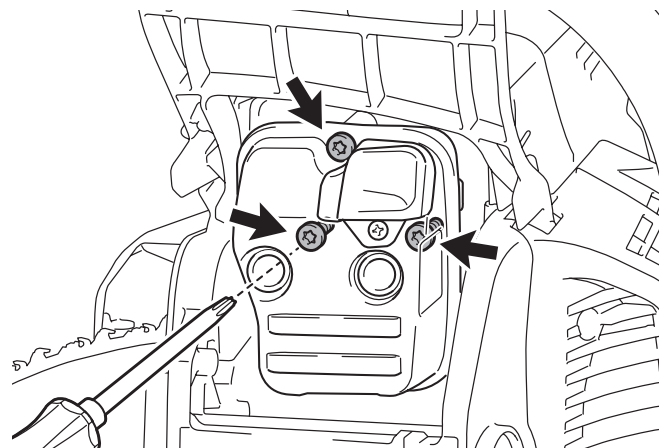
Careful!

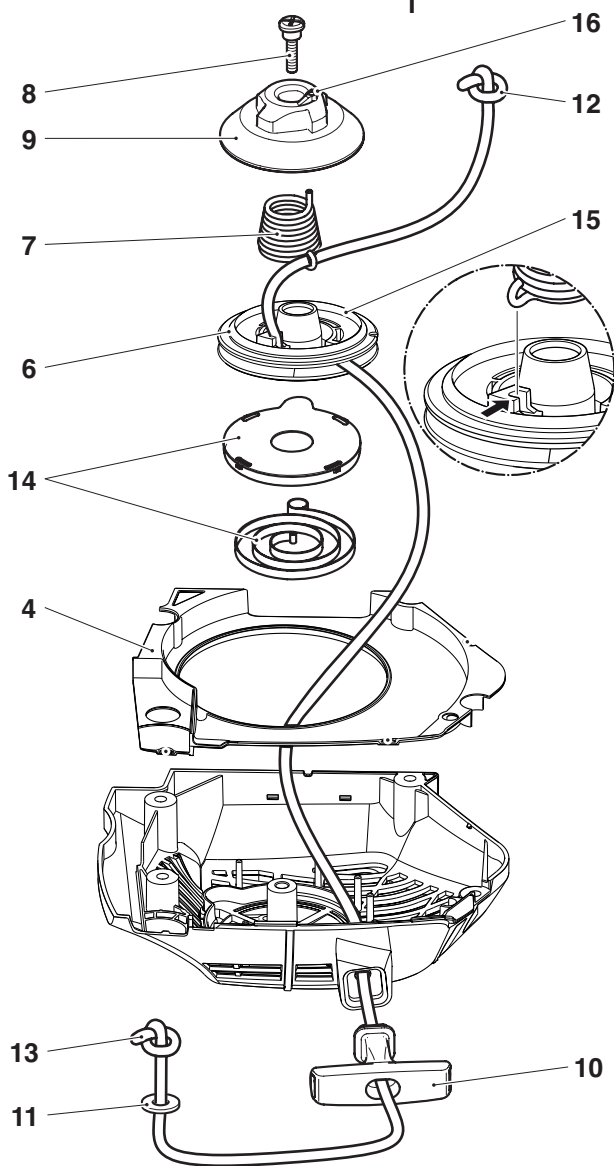
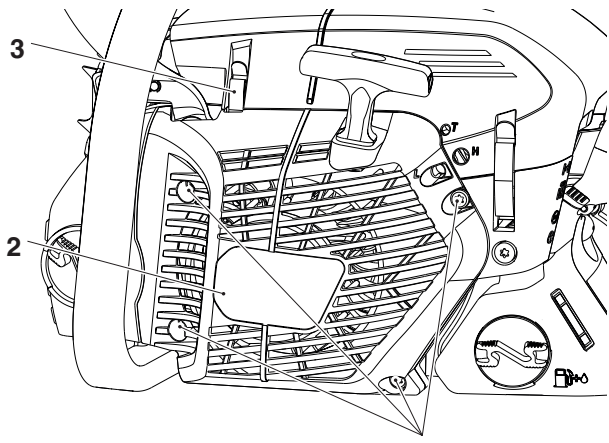
Do not tighten the muffler screws when the engine is hot!

Check the muffler screws (10) for tightness. If they are loose, hand-tighten them. Important - do not overtighten!

First remove the two plugs. Using a small screwdriver.

Put the plugs back in after checking the screws!





Replacing the starter cable/Replacing the return spring pack/Replacing the starter spring

Disengage the hood clip (3) with the combination tool.

Unscrew four screws (1).

Remove the fan housing (2).

Remove the air guide (4) from the fan housing.

CAREFUL! Injury hazard! Do not unscrew screw (8) if the return spring is under tension.

If the starter cable is to be replaced although it is not broken, it will be necessary to first de-tension the cable drum return spring (14).

To do this, use the grip to pull the cable all the way out of the fan housing.

Hold the cable drum with one hand, and with the other push the cable into the space (15).

Carefully let the drum turn until the return spring is no longer under tension.

Unscrew screw (8) and remove the driver (9) with spring (7) and **carefully** remove the cable drum (6).

Separate the driver (9) and cable drum (6).

Remove any pieces of old line and take off the spring (7).

Put the spring (7) back in the cable drum (so that its lower end fits in the notch; see the arrow in the closeup).

Thread a new cable (dia. 3.8 mm, length 1000 mm) as shown in the illustration (don't forget the washer (11)) and knot both ends as shown.

Pull the knot (12) into the cable drum (6) and press it into the space.

Pull knot (13) into the starter grip (10).

Guide the hole (16) in the driver (9) over the end of the spring, press down the driver and turn it slightly counter-clockwise until it is flush on the cable drum (6).

Put the drum on its spindle and turn it slightly until the return spring engages.

Insert screw (8) and tighten.

Guide the cable into the slot (15) on the cable drum and turn the drum with the cable clockwise three times.

Hold the cable drum with your left hand and with your right hand untwist the cable, pull it tight and hold it.

Carefully release the cable drum. The spring will wind the cable around the drum.

Repeat the procedure once. The starter grip should now stand straight up on the fan housing.

NOTE: With the cable pulled all the way out, it must still be possible to turn the pulley another 1/4 turn against the return spring.

CAUTION: Danger of injury! Secure the cable grip when pulled out! It will whip back if the cable pulley is released by accident.

Replacing the return spring pack

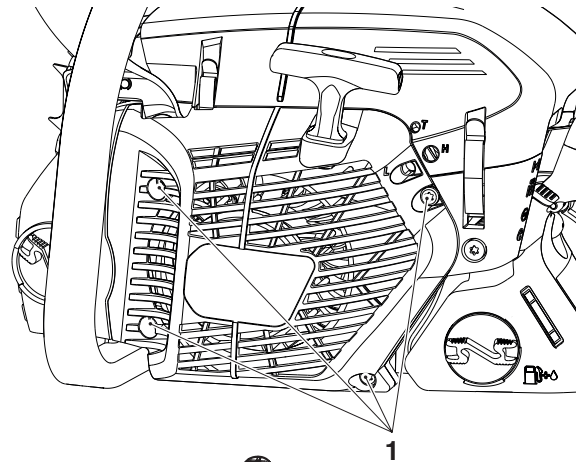
Disassemble the fan housing and cable drum (see page 36).

CAREFUL! Injury hazard! The return spring can pop out! Always wear eye protection and protective gloves!

Lightly tap the fan housing on a wooden surface with the entire surface of the hollow side, and **hold it down**. Now lift the fan housing **carefully and in small steps**. This will allow the return spring pack (14), which should now have fallen out, to relax in a controlled manner if the return spring has popped out of the plastic pack.

Carefully insert a new return spring cassette and press down until it engages.

Assemble the cable drum and tension the return spring (see page 36).



Replacing the starter spring

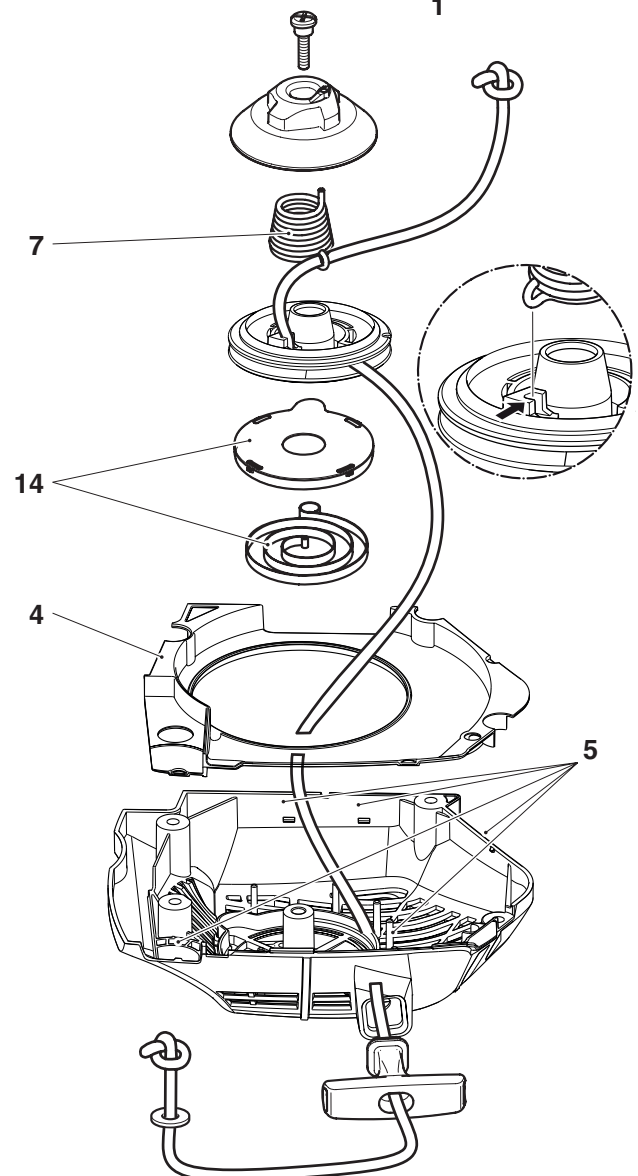
NOTE: If the spring (7) in the Featherlight-Starting system is broken, more effort will be required to start the engine and you will notice some resistance when pulling the starter cable. If you notice this, check the spring (7) and replace if necessary.

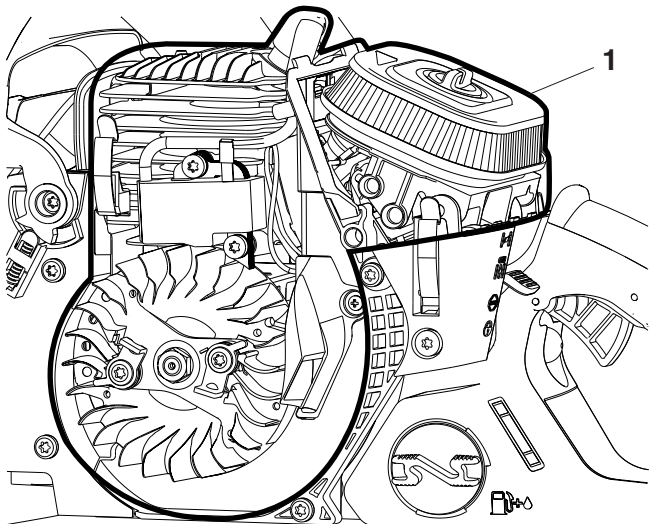
Mounting the fan housing

Fit the air guide plate (4) to the fan housing, ensuring that the air guide plate engages with the five fixing points (5).

Position the fan housing on the machine, insert it under the handguard strut, apply slight counterpressure, and pull the starter grip until the starter mechanism catches.

Tighten screws (1).





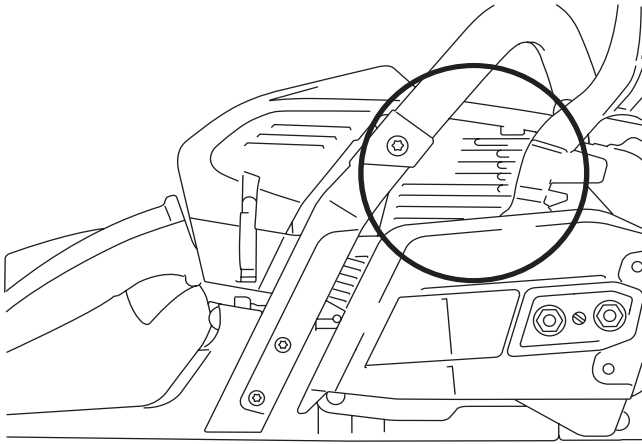
Cleaning the air filter compartment / fan compartment



Remove cover.
Remove the fan housing.

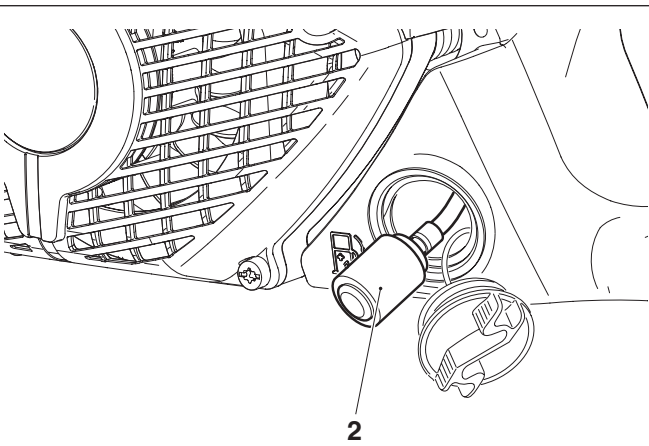
CAUTION: To prevent eye injury, always wear eye protection when cleaning the filter with compressed air!

The entire area (1) can now be brushed clean or cleaned with compressed air.



Cleaning the cylinder fins

A bottle brush can be used to clean the cylinder fins.



Replacing the suction head

The filter (2) of the suction head can become clogged. It is recommended to replace the suction head once every three months in order to ensure unimpeded fuel flow to the carburetor.

To remove the suction head for replacement, pull it out through the tank filler neck using a piece of wire bent at one end to form a hook.

Instructions for periodic maintenance

To ensure long life, prevent damage and ensure the full functioning of the safety features the following maintenance must be performed regularly. Guarantee claims can be recognized only if this work is performed regularly and properly. Failure to perform the prescribed maintenance work can lead to accidents!

The user of the chain saw must not perform maintenance work which is not described in the instruction manual. All such work must be carried out by a MAKITA service center.

			Page
General	Chain saw	Clean exterior, check for damage. In case of damage, have repaired by a qualified service center immediately	30-31
	Saw chain	Sharpen regularly, replace in good time	
	Chain brake	Have inspected regularly at an authorized service center	23, 32
	Guide bar	Turn over to ensure even wear of bearing surfaces	
	Starter cable	Replace in good time	
		Check for damage. Replace if damaged.	36-37
Before each start	Saw chain	Inspect for damage and sharpness	30-31 23
	Guide bar	Check chain tension	
	Chain lubrication	Check for damage	26
	Chain brake	Functional check	23
	Combination switch, Safety locking button, Throttle lever	Functional check	27
	Fuel/oil tank cap	Functional check	
		Check for tightness and leakages	
Every day	Air filter	Clean at loss of power	34
	Guide bar	Check for damage, clean oil intake bore	32
	Guide bar support	Clean, in particular the oil guide groove	26, 32
	Idle speed	Check (chain must not run)	29
Every week	Fan housing	Clean to maintain good cooling air flow.	20
	Air filter compartment	Clean to maintain good cooling air flow.	38
	Fan compartment	Clean to maintain good cooling air flow.	38
	Cylinder fins	Clean to maintain good cooling air flow.	38
	Spark plug	Check and replace if necessary	35
	Muffler	Check tightness of mounting, Check screws	20, 35
	Spark arrester screen	Clean or replace if necessary	38
	Chain guide	Check	20
	Screws and nuts	Check their condition and that they are firmly secured.	
Every 3 months	Suction head	Replace	38
	Fuel, oil tanks	Clean	
Annually	Chain saw	Check at an authorized service center	
Storage	Chain saw	Clean exterior, check for damage. In case of damage, have repaired by a qualified service center immediately	32
	Guide bar/chain	Demount, clean and oil slightly	
	Fuel, oil tanks	Clean the guide groove of the guide bar	
	Carburetor	Empty and clean Run empty	

Service, spare parts and guarantee

Maintenance and repair

The maintenance and repair of modern engines as well as all safety devices require qualified technical training and a special workshop equipped with special tools and testing devices.

Any work not described in this Manual may be performed only by a MAKITA service center.

The MAKITA service centers have all the necessary equipment and skilled and experienced personnel, who can work out cost-effective solutions and advise you in all matters. To find your local distributor, please visit www.makita.com

Repair attempts by third parties or unauthorized persons will void all warranty claims.

Please contact your nearest service center.

Spare parts

Reliable long-term operation, as well as the safety of your chain saw, depend among other things on the quality of the spare parts used. Use only original MAKITA parts, marked



Only original spare parts and accessories guarantee the highest quality in material, dimensions, function and safety.

Original spare parts and accessories can be obtained from your local dealer. He will also have the spare part lists to determine the required spare part numbers, and will be constantly informed about the latest improvements and spare part innovations.

Please bear in mind that if parts other than original MAKITA spare parts are used, this will automatically invalidate the MAKITA product guarantee.

Guarantee

MAKITA guarantees the highest quality and will therefore reimburse all costs for repair by replacement of damaged parts resulting from material or production faults occurring within the guarantee period after purchase. Please note that in some countries particular guarantee conditions may exist. If you have any questions, please contact your salesman, who is responsible for the guarantee of the product.

Please note that we cannot accept any responsibility for damage caused by:

- Disregard of the operator's manual.
- Non-performance of the required maintenance and cleaning.
- Incorrect carburetor adjustment.
- Normal wear and tear.
- Obvious overloading due to permanent exceeding of the upper performance limits.
- Use of guide bars and chains which have not been approved.
- Use of guide bar and chain lengths which have not been approved.
- Use of force, improper use, misuse or accidents.
- Damage from overheating due to dirt on the fan housing.
- Work on the chain saw by unskilled persons or inappropriate repairs.
- Use of unsuitable spare parts or parts which are not original MAKITA parts, insofar as they have caused the damage.
- Use of unsuitable or old oil.
- Damage related to conditions arising from lease or rent contracts.
- Damages caused by disregarding loose outer bolted connections.

Cleaning, servicing and adjustment work is not covered by the guarantee. All repairs covered by the guarantee must be performed by a MAKITA service center.

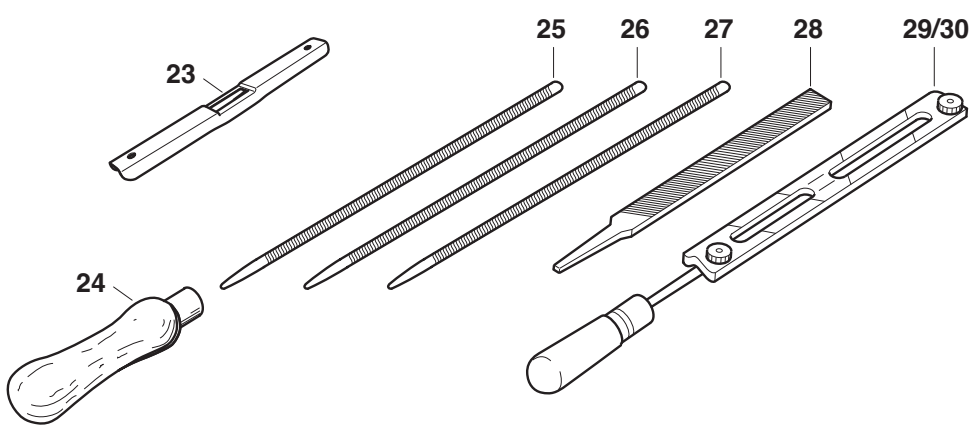
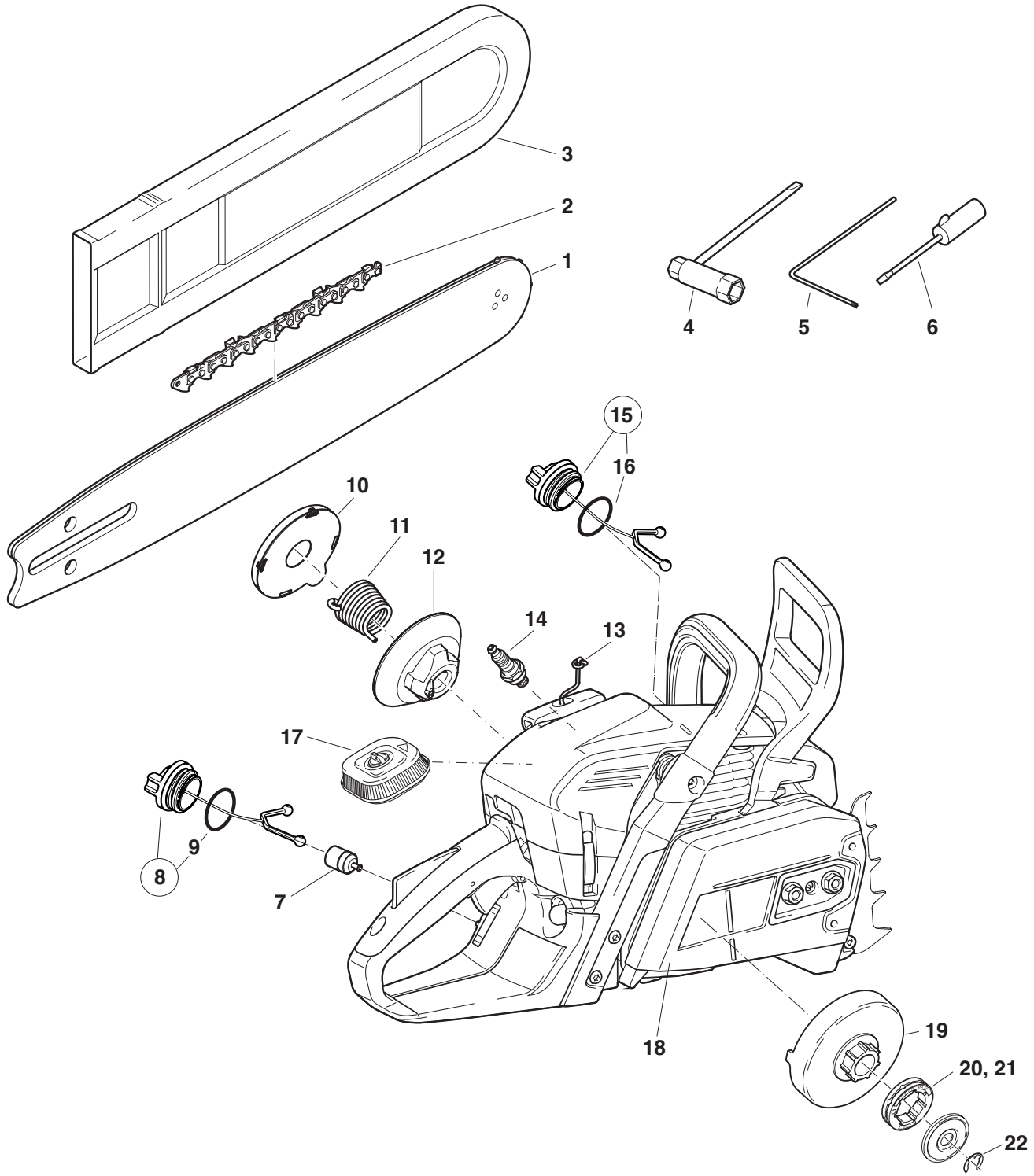
Trouble shooting

Malfunction	System	Observation	Cause
Chain does not run	Chain brake	Engine runs	Chain brake actuated.
Engine does not start or only with difficulty	Ignition system Fuel supply Compression system Mechanical malfunction	Ignition spark No ignition spark Fuel tank is filled Inside Outside Starter does not engage	Malfunction in fuel supply system, compression system, mechanical malfunction. STOP switch actuated, fault or short-circuit in Spark plug cap or spark plug defective Combination switch in Choke position, carburetor defective, suction head dirty, fuel line bent or interrupted. Cylinder base packing ring defective, radial shaft packings defective, cylinder or piston rings defective Spark plug does not seal. Spring in starter broken, broken parts inside the engine.
Warm start difficulties	Carburetor	Fuel tank is filled Ignition spark	Wrong carburetor adjustment.
Engine starts, but dies immediately	Fuel supply	Fuel tank is filled	Wrong idling adjustment, suction head or carburetor dirty. Tank venting defective, fuel line interrupted, cable defective, Combination switch defective.
Insufficient power	Several systems may be involved simultaneously	Engine is idling	Air filter dirty, wrong carburetor adjustment, muffler clogged, exhaust channel in cylinder clogged, spark arrester screen clogged.
No chain lubrication	Oil tank/pump	No oil on the chain	Oil tank empty. Oil guide groove dirty. Oil-pump adjusting screw incorrectly adjusted.

Extract from the spare parts list

Use only original MAKITA parts. For repairs and replacement of other parts, see your MAKITA service center.

EA5600F



Extract from the spare parts list

Use only original MAKITA parts. For repairs and replacement of other parts, see your MAKITA service center.

EA5600F



Pos.	MAKITA-No.	Qty.	Denomination	Accessories (not delivered with the chain saw)
1	445 038 631	1	Sprocket nose bar .325", 38 cm (15")	23 953 100 090 1 Chain gauge
	445 045 631	1	Sprocket nose bar .325", 45 cm (18")	24 953 004 010 1 File handle
2	514 686 664	1	Saw chain .325" for 38 cm	25 953 003 100 1 Round file, dia. 4,5 mm
	514 686 672	1	Saw chain .325" for 45 cm	26 953 003 070 1 Round file, dia. 4,8 mm
				27 953 003 040 1 Round file, dia. 5,5 mm
				28 953 003 060 1 Flat file
1	445 038 651	1	Sprocket nose bar 3/8", 38 cm (15")	29 953 009 000 1 File holder 3/8"
	445 045 651	1	Sprocket nose bar 3/8", 45 cm (18")	30 953 030 030 1 File holder .325"
	445 050 651	1	Sprocket nose bar 3/8", 50 cm (20")	
2	528 099 656	1	Saw chain 3/8" for 38 cm	- 949 000 036 1 Combined can
	528 099 664	1	Saw chain 3/8" for 45 cm	(for 5l fuel, 3l chain oil)
	528 099 672	1	Saw chain 3/8" for 50 cm	
3	952 010 640	1	Chain protector for 38 cm	
	952 020 650	1	Chain protector for 45 cm	
	952 020 650	1	Chain protector for 50 cm	
4	941 719 133	1	Universal wrench SW 19/13	
5	940 827 000	1	Offset screwdriver	
6	944 340 001	1	Carburetor screwdriver	
7	010 114 200	1	Suction head	
8	181 114 202	1	Fuel tank cap, cpl.	
9	963 229 036	1	O-Ring 29,3 x 3,6 mm	
10	181 163 050	1	Return spring pack, complete	
11	181 163 080	1	Spring	
12	181 163 090	1	Driver	
13	131 164 020	1	Starter cable 3,8x1000 mm	
14	965 603 021	1	Spark plug	
15	181 114 202	1	Oil tank cap, cpl.	
16	963 229 036	1	O-Ring 29,3 x 3,6 mm	
17	131 173 020	1	Air filter	
18	131 213 620	1	Sprocket guard, cpl.	
19	181 223 062	1	Clutch drum	
20	026 224 010	1	3/8" sprocket, (for 093, 099), 7-tooth	
21	181 224 040	1	.325" sprocket, (for 086, 484, 686), 7-tooth	
22	927 408 000	1	Circlip	

The engine exhaust from this product contains chemicals known to the State of California to cause cancer, birth defects or other reproductive harm.

To find your local distributor,
please visit www.makita.com



Makita Corporation
3-11-8, Sumiyoshi-cho,
Anjo, Aichi 446-8502 Japan

Form: 995 705 745 (2017-04 GB)
Specifications subject to change without notice