

BONUS BLOCK BURP CLOTH

PROJECT SIZE

9" x 26"

PROJECT SUPPLIES

(2) 8½" unfinished blocks*

½ yard of fabric

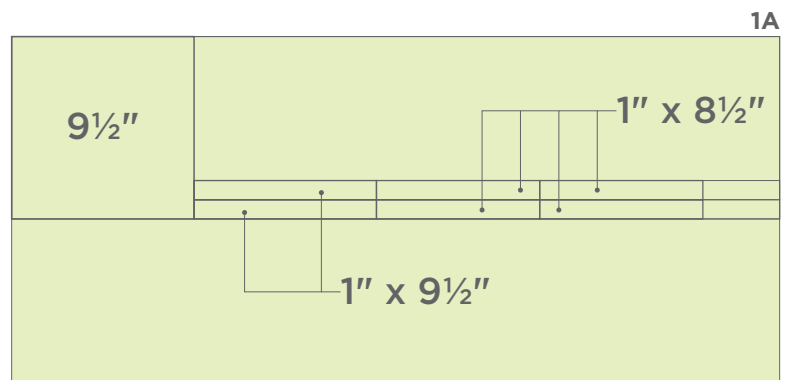
(1) 9½" x 26½" rectangle of an absorbent fabric

*Our sample project features the *Baby Stars* block, but any block that finishes at 8" can be used instead.

1 cut

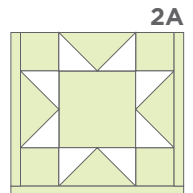
From the ½ yard of fabric:

- Cut (1) 9½" strip across the width of the fabric.
 - Subcut (1) 9½" square. **1A**
 - From the remainder of the strip, cut (2) 1" strips across the width of the fabric.
 - Subcut a **total of (2)** 1" x 9½" rectangles. **1A**
 - Subcut a **total of (4)** 1" x 8½" rectangles. **1A**

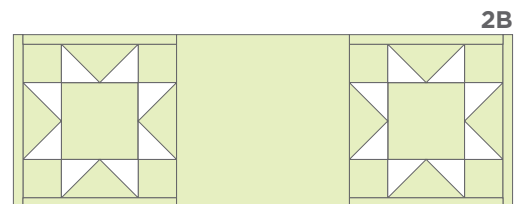


2 piece the project top

Gather 1 block, (2) 1" x 8½" background rectangles, and (1) 1" x 9½" background rectangle. Sew the 2 shorter rectangles to opposite sides of the block, then press. Sew the longer rectangle to the bottom of the block, then press. **Make 2** block ends. **2A**



Sew the 2 block ends to opposite sides of the 9½" background square as shown. Press. **2B**



3 fold, trim & sew

Layer the pieced rectangle and $9\frac{1}{2}'' \times 26\frac{1}{2}''$ rectangle of absorbent fabric together with right sides facing and pin. Fold the rectangles in half lengthwise. Refer to diagram **3A** to measure and mark the curve onto a piece of freezer paper. Align the top of the freezer paper with the fold and press the waxy side of the freezer paper to the fabric. Cut along the drawn curve through all layers of fabric.

Unfold the pieces, leaving them layered together and sew all the way around the perimeter. Use a $\frac{1}{4}''$ seam allowance and leave an opening for turning purposes (about $3''$) on one straight edge.

Turn the piece right side out and press. Turn the edges of the opening in toward the inside of the burp cloth and stitch the opening closed. Topstitch around the outer edge for a nice finish.

