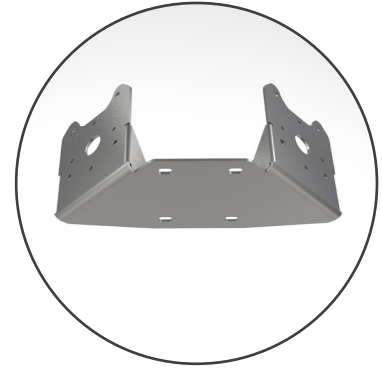
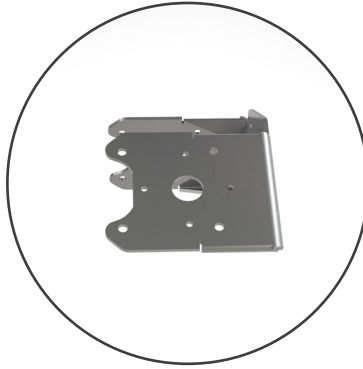


**BRACKET | BRKT-033**

# BRKT-033

±45° POLARIZATION BRACKET FOR LPDA-92 AND OMNI-69



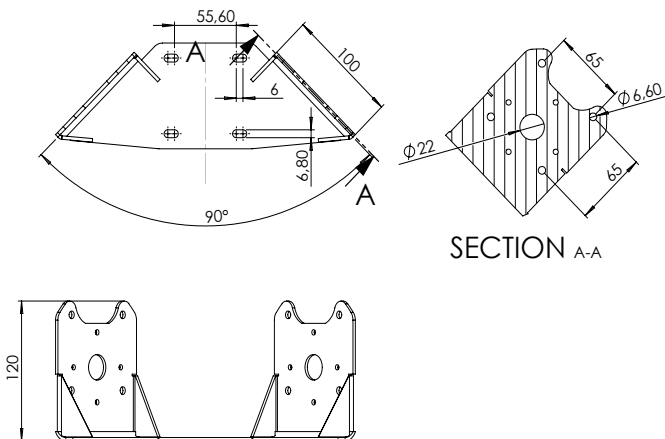
### Ordering Information

Commercial name: BRKT-033  
 Order Product Code: A-BRKT-033  
 EAN Number: 0707273469359

### Mechanical Specifications

Product Dimensions (LxW): 414 x 166mm  
 Packaged Dimensions (Polybag): 425 x 175mm  
 Weight: 0.990kg  
 Packaged Weight: 1.005kg  
 Material: 3mm 3CR12  
 Process: Laser cut, bend & weld  
 Surface finish: Brushed

### Product Drawing



### Product Box Contents

Product: A-BRKT-033  
 M6 Washers (SS): 16  
 M6 Nuts (SS): 8  
 M6 x 30 Hexagonal Bolts (SS): 8

### Certification Approvals and Standards

Flammability rating: UL:1581  
 Salt spray: MIL-STD810F/ASTM B117  
 Product Safety: Complies with UL, CE, EN, CSA and IEC standards

