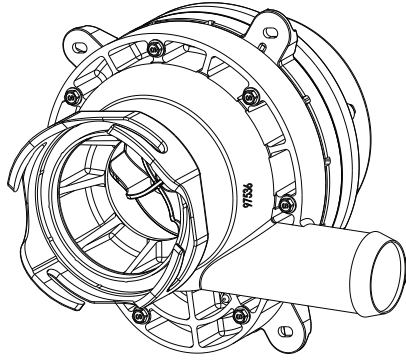


SANI-CON® TURBO 400S “Bayonet Mount” – PARTS LIST

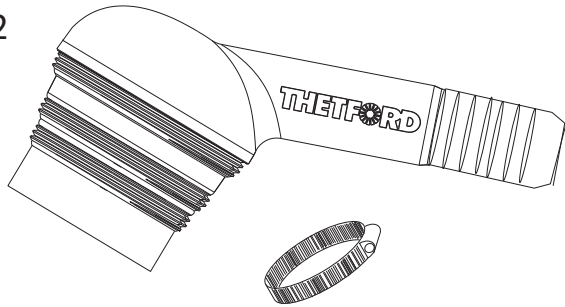
1



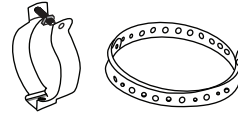
SANI-CON® TURBO 400S – PARTS LIST

Key No	Part No	Description
1	97661	Replacement Pump
2	97520	Nozzle w/ Clamp
3	97521	21' Hose, Union and Clamp
4	97514	Cap, Drip Cap and Nozzle Gasket
5	97662	3-1/2" I.D. Pipe Hanger Kit
6	97603	Switch Box Kit

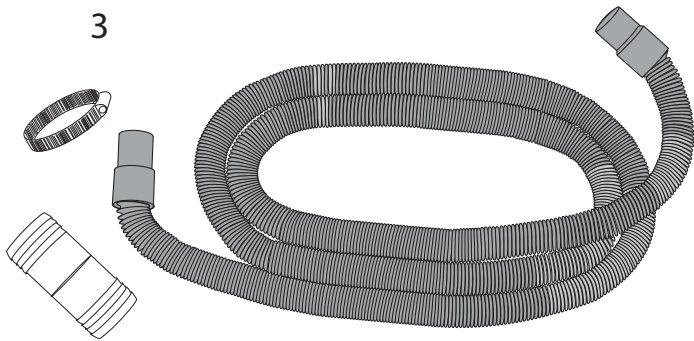
2



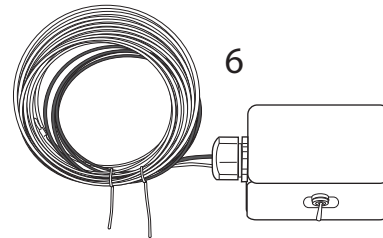
5



3



6



4

