

NanoPlex™ general description

NanoPlex NPS-06-01-04A Universal Relay ISP-Channel Multiplier allows the expansion of the number of channels of ISP-Programming tools, while also offering galvanic isolation. The total number of switched signals is 28. NanoPlex is used on PCBAs production lines, in ATE-controlled ISP programming. Thanks to its ultra-small size (only 51.0- x 66.5-mm), this NanoPlex model takes easily place in Test Fixtures. Designed for piggyback mounting, NanoPlex is universal and compatible with all types of ISP Programming tools.

Recommended Readings - Further Documentation

Before starting, please study the following essential papers:

- *NanoPlex NPS-06-01-04A Data Sheet*
- *NanoPlex NPS-06-01-04A Flexibility Application Note*

'*NanoPlex NPS-06-01-04A Flexibility Application Note*' clearly describes NanoPlex **modularity** and how to deploy **multiple units** in order to create hi-density ISP Programming Multipliers with an **unlimited number of channels**.

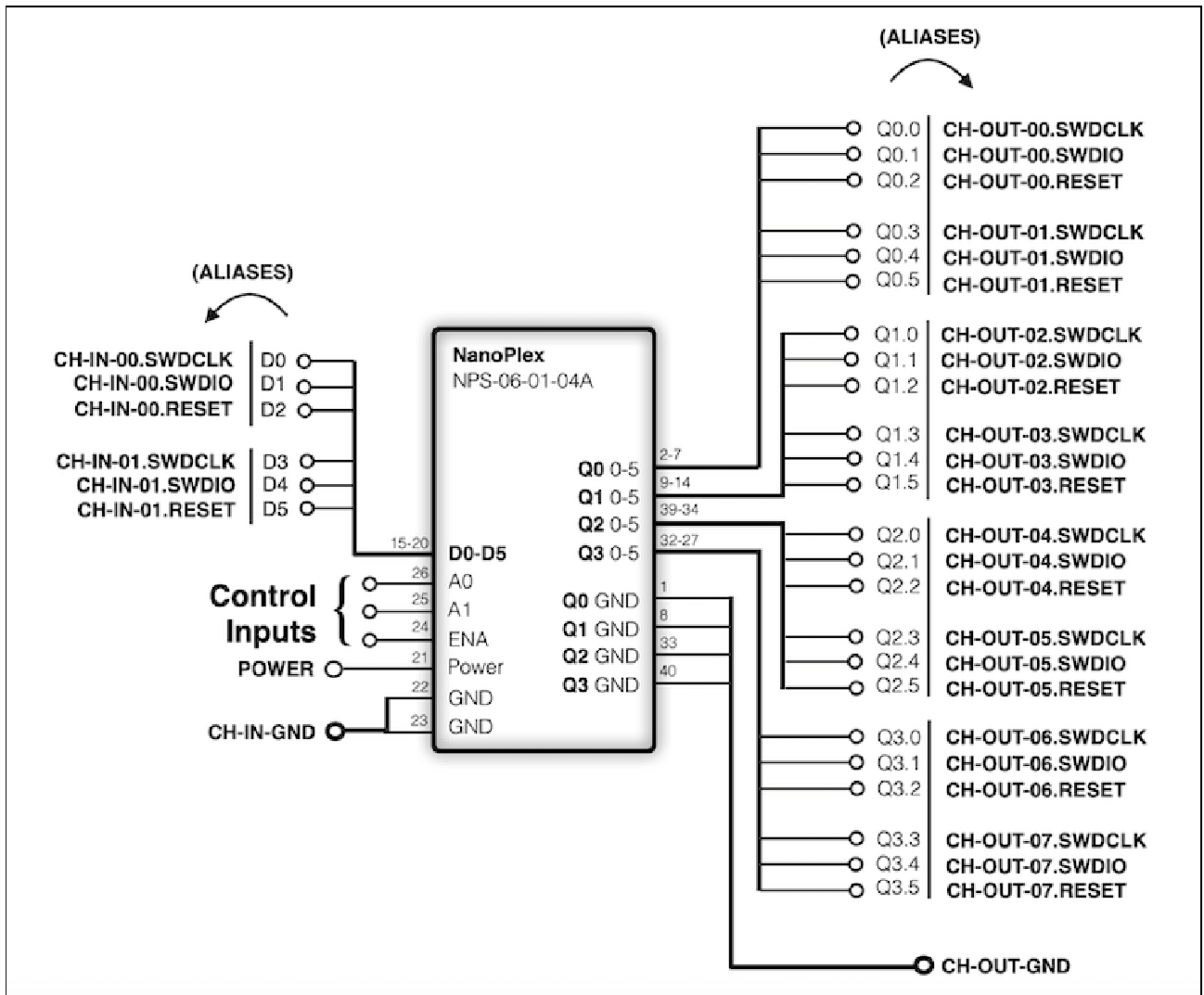
NXP LPC81x (SWD)

Signals required for ISP Programming are:

- SWDCLK
- SWDIO
- RESET

The most convenient way to ISP program multiple instances of this device through NanoPlex is using this model in **2x8 operating mode**. 2 NanoPlex input channels is multiplied to 8 separated, galvanic isolated output channels.

On the following mode examples diagram, NanoPlex signal names are assigned with aliases (texts are in **bold**).



Truth table

(the symbol ► stands for “connected to”)

ENA	A1	A0	CH-IN-	00.SWDCLK ►	00.SWDIO ►	00.RESET ►	01.SWDCLK ►	01.SWDIO ►	01.RESET ►
1	0	0	CH-OUT-	00.SWDCLK	00.SWDIO	00.RESET	01.SWDCLK	01.SWDIO	01.RESET
1	0	1	CH-OUT-	02.SWDCLK	02.SWDIO	02.RESET	03.SWDCLK	03.SWDIO	03.RESET
1	1	0	CH-OUT-	04.SWDCLK	04.SWDIO	04.RESET	05.SWDCLK	05.SWDIO	05.RESET
1	1	1	CH-OUT-	06.SWDCLK	06.SWDIO	06.RESET	07.SWDCLK	07.SWDIO	07.RESET
0	X	X	CH-OUT-	HI-Z	HI-Z	HI-Z	HI-Z	HI-Z	HI-Z

Operating sequence

ENA = 1

A1-A0 = "00"

CH-IN-00.SWDCLK ► CH-OUT-00.SWDCLK
CH-IN-00.SWDIO ► CH-OUT-00.SWDIO
CH-IN-00.RESET ► CH-OUT-00.RESET

CH-IN-01.SWDCLK ► CH-OUT-01.SWDCLK
CH-IN-01.SWDIO ► CH-OUT-01.SWDIO
CH-IN-01.RESET ► CH-OUT-01.RESET

A1-A0 = "01"

CH-IN-00.SWDCLK ► CH-OUT-02.SWDCLK
CH-IN-00.SWDIO ► CH-OUT-02.SWDIO
CH-IN-00.RESET ► CH-OUT-02.RESET

CH-IN-01.SWDCLK ► CH-OUT-03.SWDCLK
CH-IN-01.SWDIO ► CH-OUT-03.SWDIO
CH-IN-01.RESET ► CH-OUT-03.RESET

A1-A0 = "10"

CH-IN-00.SWDCLK ► CH-OUT-04.SWDCLK
CH-IN-00.SWDIO ► CH-OUT-04.SWDIO
CH-IN-00.RESET ► CH-OUT-04.RESET

CH-IN-01.SWDCLK ► CH-OUT-05.SWDCLK
CH-IN-01.SWDIO ► CH-OUT-05.SWDIO
CH-IN-01.RESET ► CH-OUT-05.RESET

A1-A0 = "11"

CH-IN-00.SWDCLK ► CH-OUT-06.SWDCLK
CH-IN-00.SWDIO ► CH-OUT-06.SWDIO
CH-IN-00.RESET ► CH-OUT-06.RESET

CH-IN-01.SWDCLK ► CH-OUT-07.SWDCLK
CH-IN-01.SWDIO ► CH-OUT-07.SWDIO
CH-IN-01.RESET ► CH-OUT-07.RESET

Connector pinout (aliases signals, top view)

Pin	Signal
01	CH-OUT-GND
02	CH-OUT-00.SWDCLK
03	CH-OUT-00.SWDIO
04	CH-OUT-00.RESET
05	CH-OUT-01.SWDCLK
06	CH-OUT-01.SWDIO
07	CH-OUT-01.RESET
08	CH-OUT-GND
09	CH-OUT-02.SWDCLK
10	CH-OUT-02.SWDIO
11	CH-OUT-02.RESET
12	CH-OUT-03.SWDCLK
13	CH-OUT-03.SWDIO
14	CH-OUT-03.RESET
15	CH-IN-00.SWDCLK
16	CH-IN-00.SWDIO
17	CH-IN-00.RESET
18	CH-IN-01.SWDCLK
19	CH-IN-01.SWDIO
20	CH-IN-01.RESET

Signal	Pin
CH-OUT-GND	40
CH-OUT-04.SWDCLK	39
CH-OUT-04.SWDIO	38
CH-OUT-04.RESET	37
CH-OUT-05.SWDCLK	36
CH-OUT-05.SWDIO	35
CH-OUT-05.RESET	34
CH-OUT-GND	33
CH-OUT-06.SWDCLK	32
CH-OUT-06.SWDIO	31
CH-OUT-06.RESET	30
CH-OUT-07.SWDCLK	29
CH-OUT-07.SWDIO	28
CH-OUT-07.RESET	27
A0	26
A1	25
ENA	24
GND (*)	23
GND (*)	22
Power	21

(*) GND at pins 22/23 is used for both Power GND and CH-IN-GND.

Using multiple NanoPlex NPS-06-01-04A units

NanoPlex NPS-06-01-04A product is modular by design. Several units can be deployed in order to set-up a very large, limitless channel-multiplier. The advantage of using more units is a faster and less expensive substitution.

Please read '[NanoPlex NPS-06-01-04A Flexibility Application Note](#)' to discover how to set-up a switching system with the **number of channels as high as your application requires**.

About Manta Systems

Manta Systems is a high-tech company, global leader in high-density signal switching for In-System Programming (ISP) and Testing Systems. The company targets the electronic boards assembly market, where a high number of connections is required. Manta Systems flagship product is NanoPlex™, a series of Channels Multipliers for In-System Programming (ISP) and Testing instruments. NanoPlex is the **world's first universal tool** providing end-user with the possibility of having compact, easy-to-use, professional, reliable In-System Programming (ISP) and Testing Channel Multiplication functionality.

Warranty

All Manta Systems products are covered by a **three-year warranty** against defects and workmanship from the purchase date. The warranty only covers products when properly installed and used.

Orders

All NanoPlex™ Series products are generally **off-the-shelf**.

Shipping is within **24 hours** from order reception.

Free shipping & 30-day money back guarantee.

Disclaimer

Manta Systems is the owner of NanoPlex™ tradename. Manta Systems reserves the right to make improvements to NanoPlex™ Series and its documentation without notice. Information in this document is intended to be accurate and reliable. However, Manta Systems assumes no responsibility for its use; nor for any infringements of rights of third parties which may result from its use.

MANTA SYSTEMS WILL NOT BE LIABLE FOR DAMAGES RESULTING FROM LOSS OF DATA, PROFITS, USE OF PRODUCTS, OR INCIDENTAL OR CONSEQUENTIAL DAMAGES, EVEN IF ADVISED OF THE POSSIBILITY THEREOF.

Copyright © Manta Systems. All rights reserved.

NanoPlex™ is a tradename of Manta Systems.

All other product or service names are the property of their respective owners.

www.mantasys.com

info@mantasys.com

