

NanoPlex™ general description

NanoPlex NPS-06-01-04A Universal Relay ISP-Channel Multiplier allows the expansion of the number of channels of ISP-Programming tools, while also offering galvanic isolation. The total number of switched signals is 28. NanoPlex is used on PCBAs production lines, in ATE-controlled ISP programming. Thanks to its ultra-small size (only 51.0- x 66.5-mm), this NanoPlex model takes easily place in Test Fixtures. Designed for piggyback mounting, NanoPlex is universal and compatible with all types of ISP Programming tools.

Recommended Readings - Further Documentation

Before starting, please study the following essential papers:

- *NanoPlex NPS-06-01-04A Data Sheet*
- *NanoPlex NPS-06-01-04A Flexibility Application Note*

'*NanoPlex NPS-06-01-04A Flexibility Application Note*' clearly describes NanoPlex **modularity** and how to deploy **multiple units** in order to create high-density ISP Programming Multipliers with an **unlimited number of channels**.

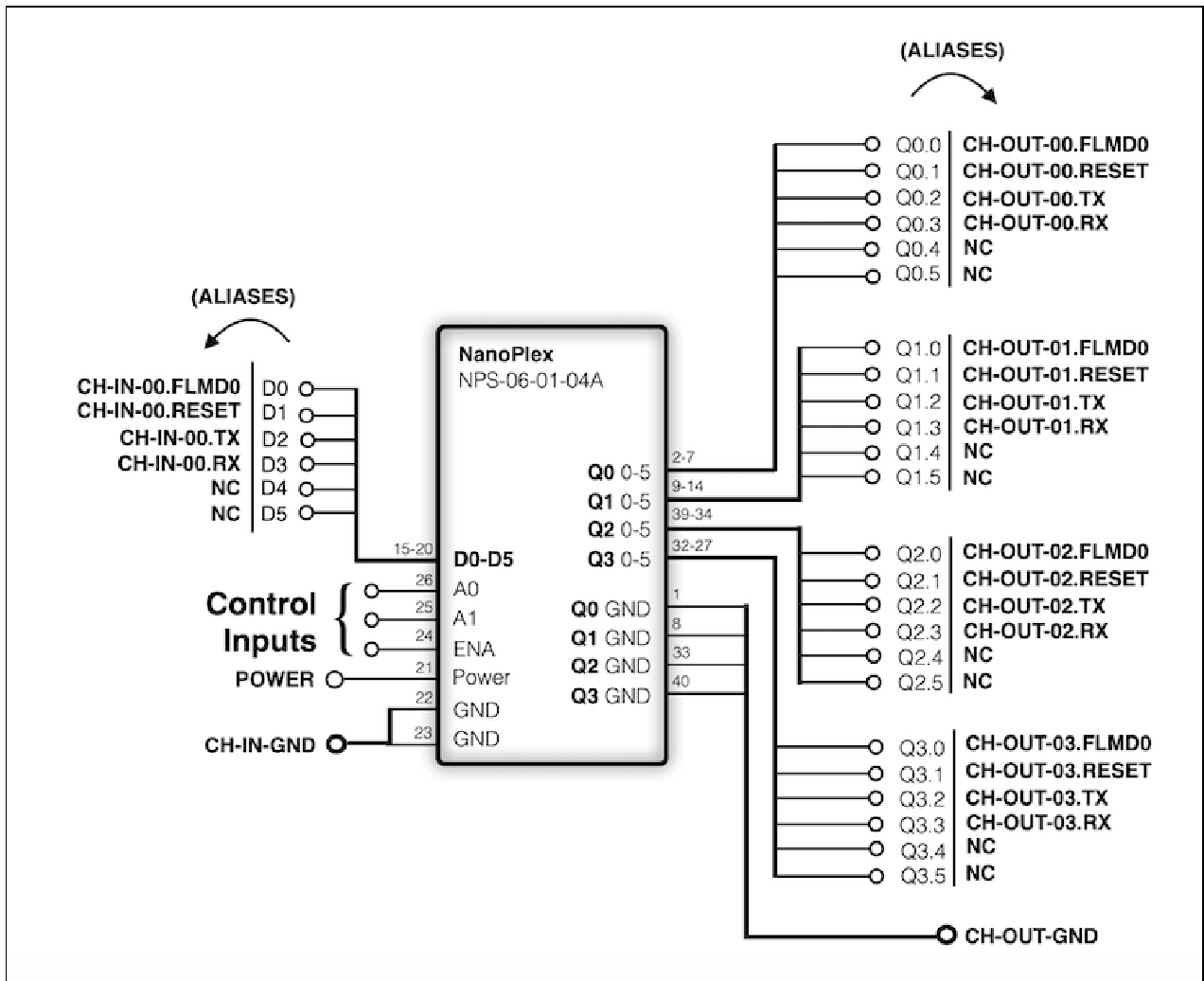
Renesas V850 (UART)

Signals required for ISP Programming are:

- FLMD0
- RESET
- TX
- RX

The most convenient way to ISP program multiple instances of this device through NanoPlex is using this model in **1x4 operating mode**. 1 NanoPlex input channel is multiplied to 4 separated, galvanic isolated output channels.

On the following mode examples diagram, NanoPlex signal names are assigned with aliases (texts are in **bold**).



Truth table

(the symbol ► stands for “connected to”)

ENA	A1	A0	CH-IN-	00.FLMD0 ►	00.RESET ►	00.TX ►	00.RX ►
1	0	0	CH-OUT-	00.FLMD0	00.RESET	00.TX	00.RX
1	0	1	CH-OUT-	01.FLMD0	01.RESET	01.TX	01.RX
1	1	0	CH-OUT-	02.FLMD0	02.RESET	02.TX	02.RX
1	1	1	CH-OUT-	03.FLMD0	03.RESET	03.TX	03.RX
0	X	X	CH-OUT-	HI-Z	HI-Z	HI-Z	HI-Z

Operating sequence

ENA = 1

A1-A0 = "00"

CH-IN-00.FLMD0	▶	CH-OUT-00.FLMD0
CH-IN-00.RESET	▶	CH-OUT-00.RESET
CH-IN-00.TX	▶	CH-OUT-00.TX
CH-IN-00.RX	▶	CH-OUT-00.RX

A1-A0 = "01"

CH-IN-00.FLMD0	▶	CH-OUT-01.FLMD0
CH-IN-00.RESET	▶	CH-OUT-01.RESET
CH-IN-00.TX	▶	CH-OUT-01.TX
CH-IN-00.RX	▶	CH-OUT-01.RX

A1-A0 = "10"

CH-IN-00.FLMD0	▶	CH-OUT-02.FLMD0
CH-IN-00.RESET	▶	CH-OUT-02.RESET
CH-IN-00.TX	▶	CH-OUT-02.TX
CH-IN-00.RX	▶	CH-OUT-02.RX

A1-A0 = "11"

CH-IN-00.FLMD0	▶	CH-OUT-03.FLMD0
CH-IN-00.RESET	▶	CH-OUT-03.RESET
CH-IN-00.TX	▶	CH-OUT-03.TX
CH-IN-00.RX	▶	CH-OUT-03.RX

Connector pinout (aliases signals, top view)

Pin	Signal
01	CH-OUT-GND
02	CH-OUT-00.FLMD0
03	CH-OUT-00.RESET
04	CH-OUT-00.TX
05	CH-OUT-00.RX
06	NC
07	NC
08	CH-OUT-GND
09	CH-OUT-01.FLMD0
10	CH-OUT-01.RESET
11	CH-OUT-01.TX
12	CH-OUT-01.RX
13	NC
14	NC
15	CH-IN-00.FLMD0
16	CH-IN-00.RESET
17	CH-IN-00.TX
18	CH-IN-00.RX
19	NC
20	NC

Signal	Pin
CH-OUT-GND	40
CH-OUT-02.FLMD0	39
CH-OUT-02.RESET	38
CH-OUT-02.TX	37
CH-OUT-02.RX	36
NC	35
NC	34
CH-OUT-GND	33
CH-OUT-03.FLMD0	32
CH-OUT-03.RESET	31
CH-OUT-03.TX	30
CH-OUT-03.RX	29
NC	28
NC	27
A0	26
A1	25
ENA	24
GND (*)	23
GND (*)	22
Power	21

(*) GND at pins 22/23 is used for both Power GND and CH-IN-GND.

Using multiple NanoPlex NPS-06-01-04A units

NanoPlex NPS-06-01-04A product is modular by design. Several units can be deployed in order to set-up a very large, limitless channel-multiplier. The advantage of using more units is a faster and less expensive substitution.

Please read '[NanoPlex NPS-06-01-04A Flexibility Application Note](#)' to discover how to set-up a switching system with the **number of channels as high as your application requires**.

About Manta Systems

Manta Systems is a high-tech company, global leader in high-density signal switching for In-System Programming (ISP) and Testing Systems. The company targets the electronic boards assembly market, where a high number of connections is required. Manta Systems flagship product is NanoPlex™, a series of Channels Multipliers for In-System Programming (ISP) and Testing instruments. NanoPlex is the **world's first universal tool** providing end-user with the possibility of having compact, easy-to-use, professional, reliable In-System Programming (ISP) and Testing Channel Multiplication functionality.

Warranty

All Manta Systems products are covered by a **three-year warranty** against defects and workmanship from the purchase date. The warranty only covers products when properly installed and used.

Orders

All NanoPlex™ Series products are generally **off-the-shelf**.

Shipping is within **24 hours** from order reception.

Free shipping & 30-day money back guarantee.

Disclaimer

Manta Systems is the owner of NanoPlex™ tradename. Manta Systems reserves the right to make improvements to NanoPlex™ Series and its documentation without notice. Information in this document is intended to be accurate and reliable. However, Manta Systems assumes no responsibility for its use; nor for any infringements of rights of third parties which may result from its use.

MANTA SYSTEMS WILL NOT BE LIABLE FOR DAMAGES RESULTING FROM LOSS OF DATA, PROFITS, USE OF PRODUCTS, OR INCIDENTAL OR CONSEQUENTIAL DAMAGES, EVEN IF ADVISED OF THE POSSIBILITY THEREOF.

Copyright © Manta Systems. All rights reserved.
NanoPlex™ is a tradename of Manta Systems.

All other product or service names are the property of their respective owners.

www.mantasys.com
info@mantasys.com

