



## Inez

Inspired by seams and sculpture, Inez has a distinctive appearance with its pedestal base and central adjoining dowel creating the impression of two halves meeting. This detail is continued in its soft edge groove detailing. Available in a rectangular or circular top in a variety of finishes, this versatile table serves ideally as a dining or meeting table.

### Product Features

- Available with a circular top or a distinctly shaped rectangular table top
- Soft groove detail in timber top
- Top available in solid timber and natural stone options
- Available in Oak or Walnut options
- Pedestal available in water-based lacquer with an organic tint finish, or a timber veneer option

### Design and Manufacturing

Design thinking forms the core of Jordan's philosophy. In our in-house design studio, we constantly foster the blend of forward-thinking innovative design and timeless expertise. Supported by a state-of-the-art manufacturing facility in Melbourne and a team of skilled craftsmen, Jordan crafts inspired and sustainable furniture.

### Sustainability

At Jordan, our ethos centers around crafting durable, sustainable pieces meant to endure. We've been carbon neutral for over a decade, held an ISO 14001 certification since 2017, and obtained BCorp certification in 2023. Our ongoing commitment lies in implementing responsible efficiencies across our design and manufacturing processes.

### Dining Tables



IE120 — 1200L x 1200D x 732H (mm)  
47L x 47D x 29H (inches)



IE150 — 1500L x 1500D x 732H (mm)  
59L x 59D x 29H (inches)



IE180 — 1800L x 1800D x 732H (mm)  
70L x 70D x 29H (inches)



IE220 — 2200L x 1200D x 732H (mm)  
87L x 47D x 29H (inches)



IE240 — 2400L x 1200D x 732H (mm)  
94L x 47D x 29H (inches)



IE260 — 2600L x 1200D x 732H (mm)  
102L x 47D x 29H (inches)



IE280 – 2800L x 1200D x 732H (mm)  
110L x 47D x 29H (inches)



IE300 – 3000L x 1200D x 732H (mm)  
118L x 47D x 29H (inches)

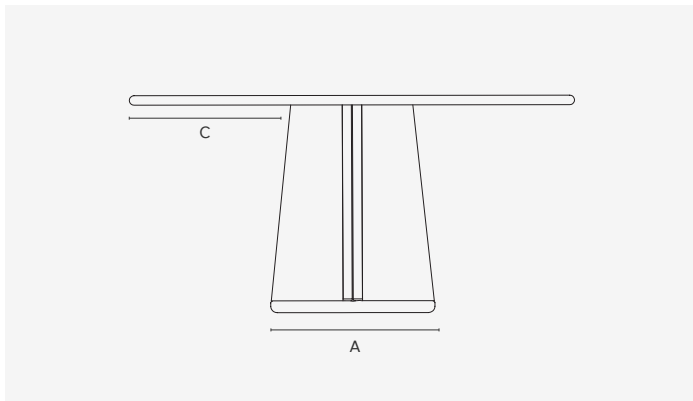


IE380 – 3800L x 1200D x 732H (mm)  
150L x 47D x 29H (inches)

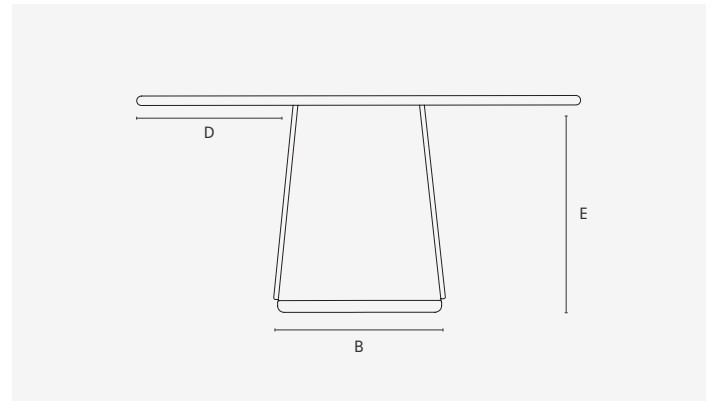


IE440 – 4400L x 1200D x 732H (mm)  
173L x 59D x 29H (inches)

Technical Specifications



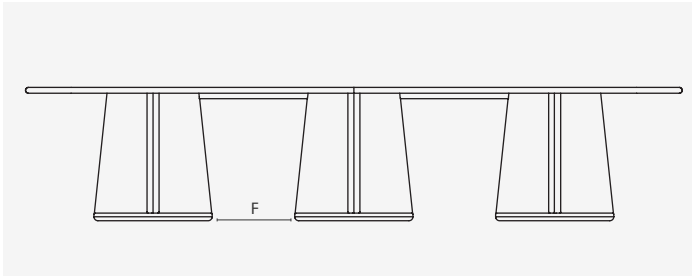
Dining Table Angle 1 | A Base Width Long Edge | C Base Inset Short Edge



Angle 2 | B Base Width Short Edge | D Base Inset Long Edge | E Clearance Height

IE120	450/18	375/15
IE150	550/22	475/19
IE180	650/26	630/25
IE220	750/30	725/29
IE240	860/34	770/30
IE260	860/34	870/34
IE280	990/39	905/36
IE300	990/39	1005/40
IE380	650/26	447/18
IE440	650/26	540/21

IE120	450/18	375/15	700/28
IE150	550/22	475/19	700/28
IE180	650/26	630/25	700/28
IE220	490/19	355/14	700/28
IE240	490/19	355/14	700/28
IE260	490/19	355/14	700/28
IE280	490/19	355/14	700/28
IE300	490/19	355/14	700/28
IE380	650/26	327/13	700/28
IE440	650/26	327/13	700/28



Dining Table Angle 3 | F Space Between Bases

	F (mm/inches)
IE380	453/18
IE440	760/30

Table Top Options

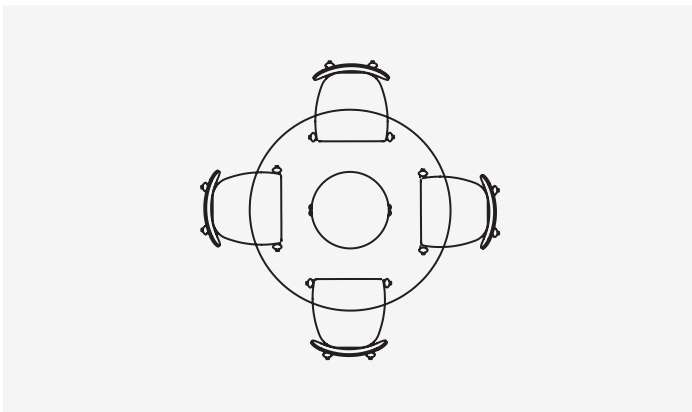


Solid Timber

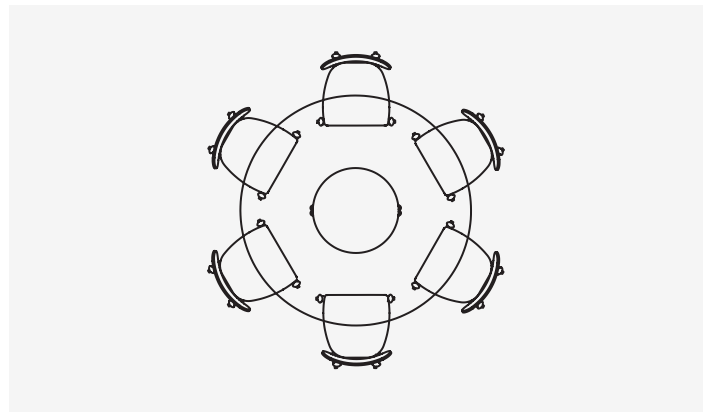


Veneer with Solid Timber Edge - Boardroom Table

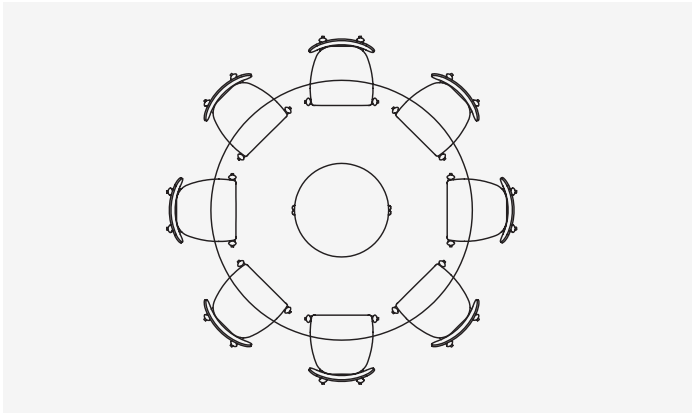
Seating Arrangements



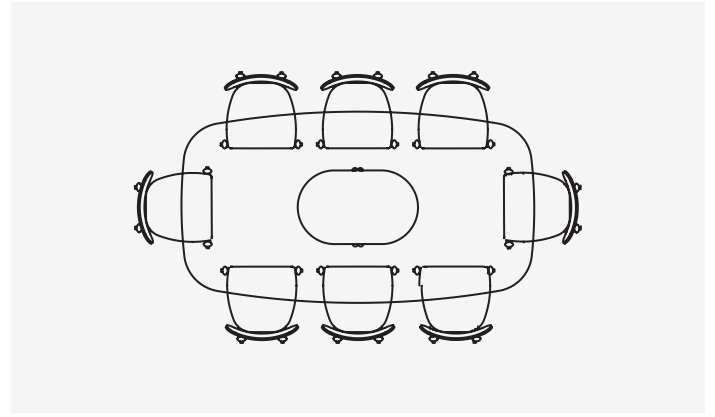
IE120 | Seating for 4 chairs  
 Chair Shown RY49 | Rye – 490L x 470D x 798H x 450SH(mm)  
 19L x 18L x 30D x 18SH (inches)



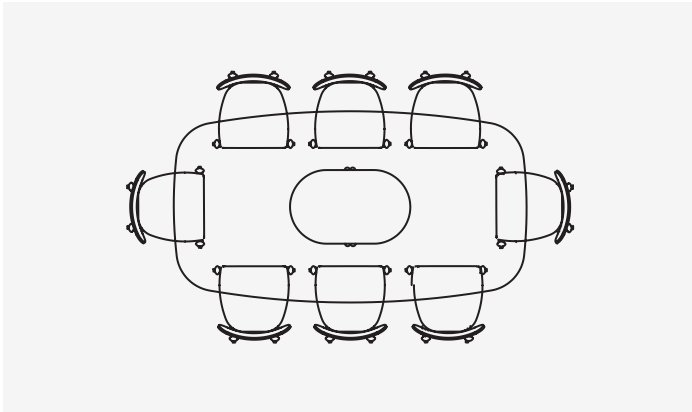
IE150 | Seating for 6 chairs



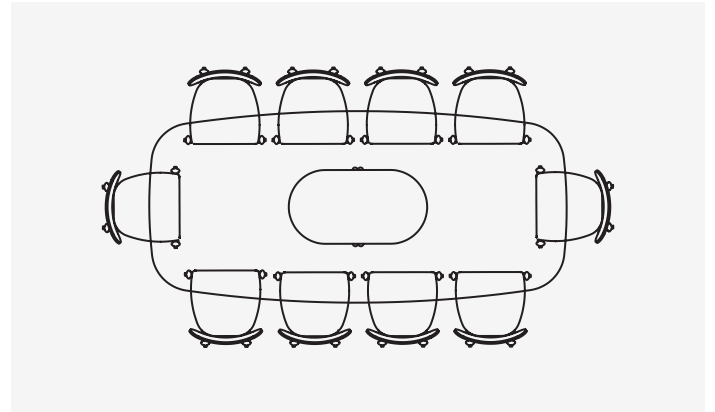
IE180 | Seating for 8 chairs



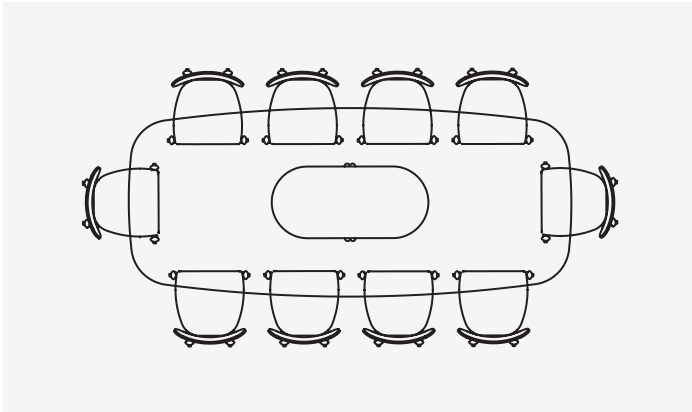
IE220 | Seating for 8 chairs



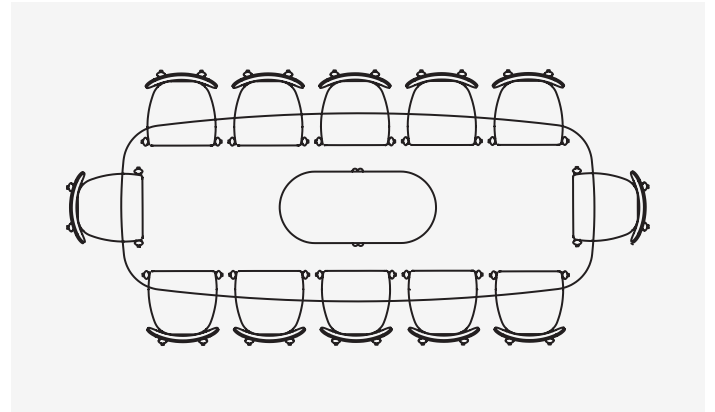
IE240 | Seating for 8 chairs



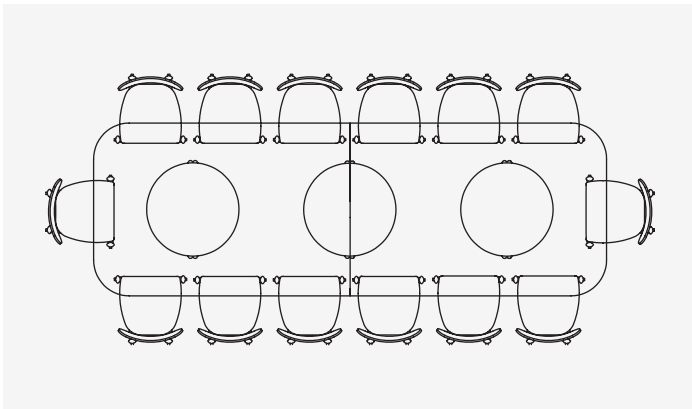
IE260 | Seating for 10 chairs



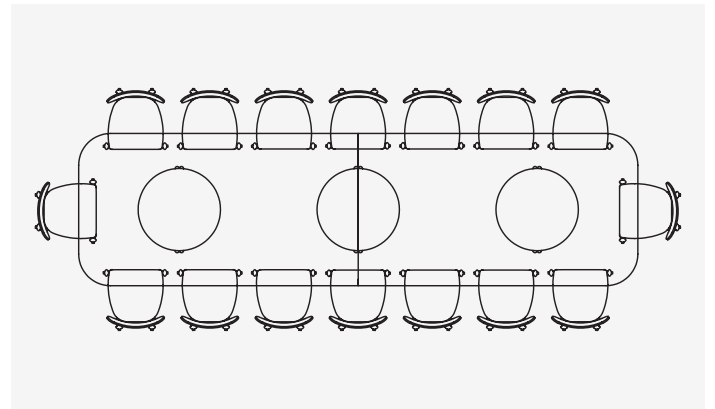
IE280 | Seating for 10 chairs



IE300 | Seating for 12 chairs



IE380 | Seating for 14 chairs



IE440 | Seating for 16 chairs