

---

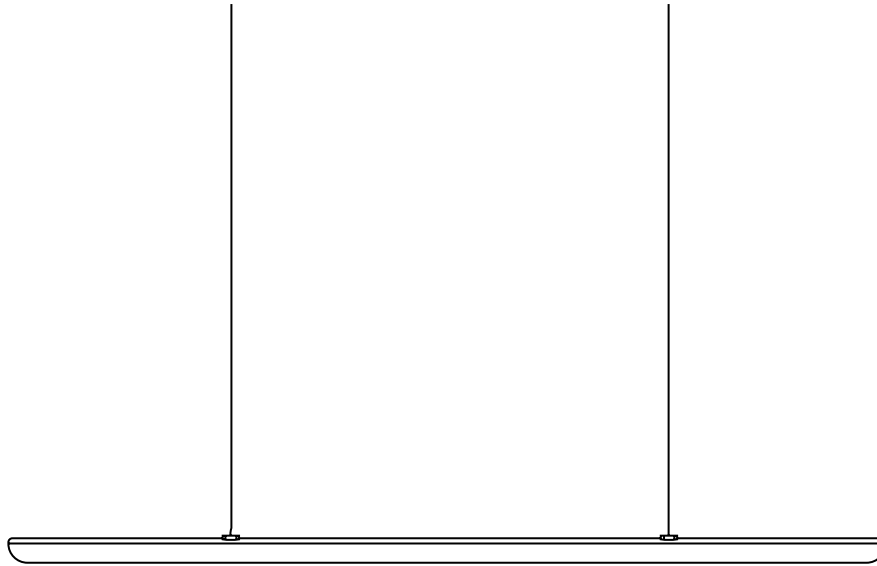
JARDAN

---

# Louey Pendant

Assembly Instructions

---



---

LUY138 / LUY178

[jardan.com.au](http://jardan.com.au)

---

---

JARDAN

---

# Louey Pendant

---

This installation guide will help your electrician simply and safely install your Louey Pendant. Jordan carries out a test assembly prior to delivery, but please ensure that all necessary components are present and use this handbook as a reference throughout the installation process.

---

## Components

1 x Louey Pendant Assembly  
1 x Driver

## Required

- Drill + Drill Bits  
- Screws + Substrate Fixings  
- Allen Key

---



## IMPORTANT

Always shut off power to the circuit before starting installation work. This installation must only be done by a licensed electrician. Keep tools away from the surface to avoid scuffing and scratches. Jordan cannot be held responsible for any damage that occurs during installation.

---

---

# JARDAN

---

## Louey Pendant Assembly Instructions

---



- 1** Louey Pendant comes fully assembled. Unbox and check all components are present.

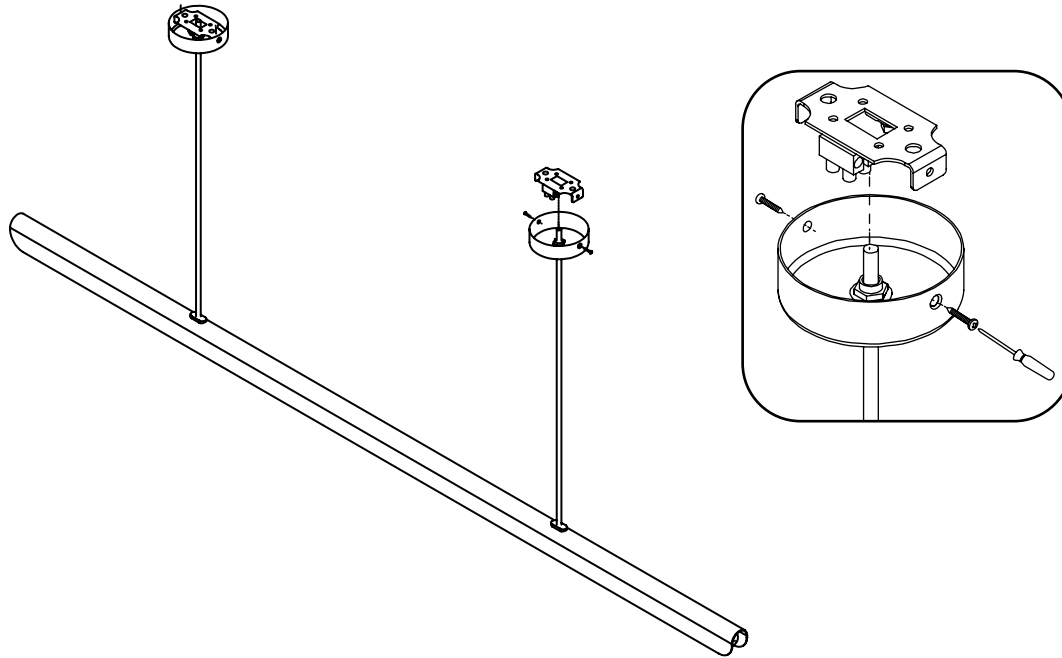
---

# JARDAN

---

## Louey Pendant Assembly Instructions

---



- 2** Remove ceiling bracket from ceiling rose by unscrewing screws.

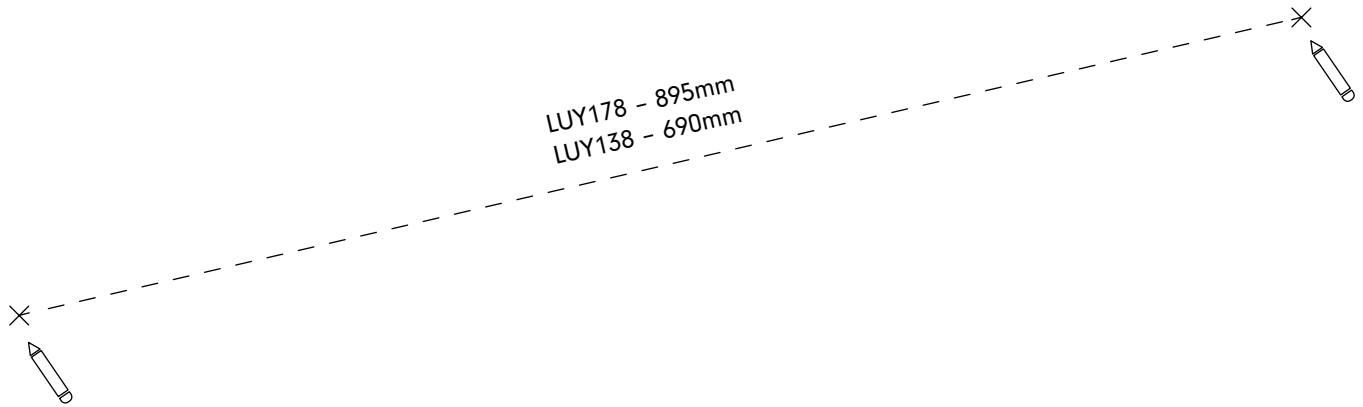
---

# JARDAN

---

## Louey Pendant Assembly Instructions

---



**3** Mark two centre locations on ceiling

Ceiling Drill Location:  
LUY138 - 690mm  
LUY178 - 895mm

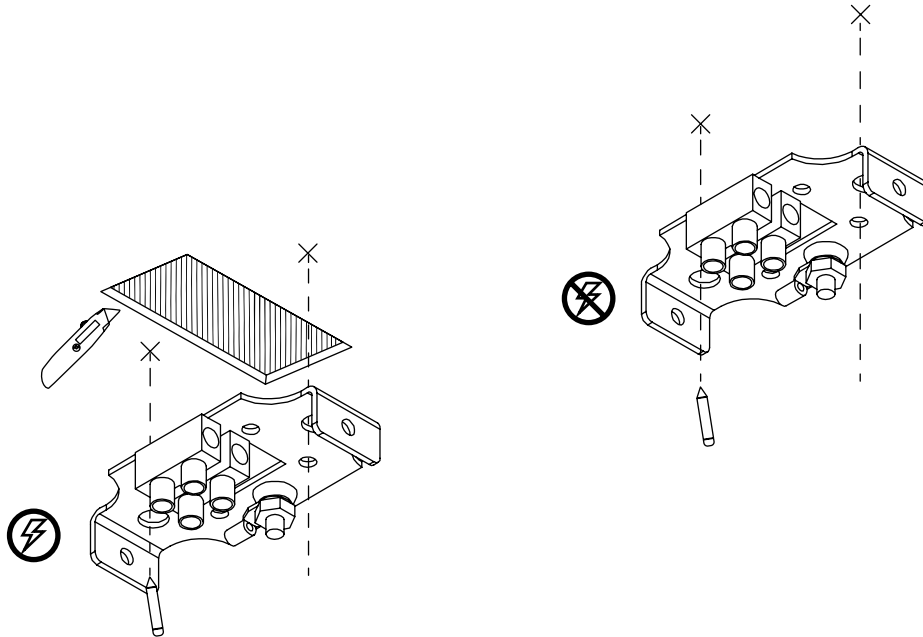
---

# JARDAN

---

## Louey Pendant Assembly Instructions

---



**4**

With a pencil, mark fixing holes either side of the central markings. Cut hole in ceiling for driver at one central marking point. Only one ceiling rose required for electrical connection.

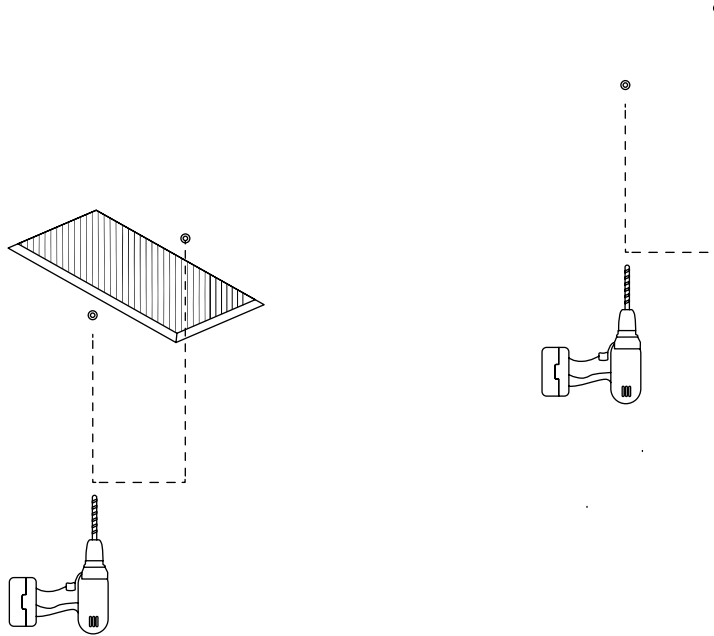
---

# JARDAN

---

## Louey Pendant Assembly Instructions

---



- 5** Drill holes and use appropriate ceiling fixings.

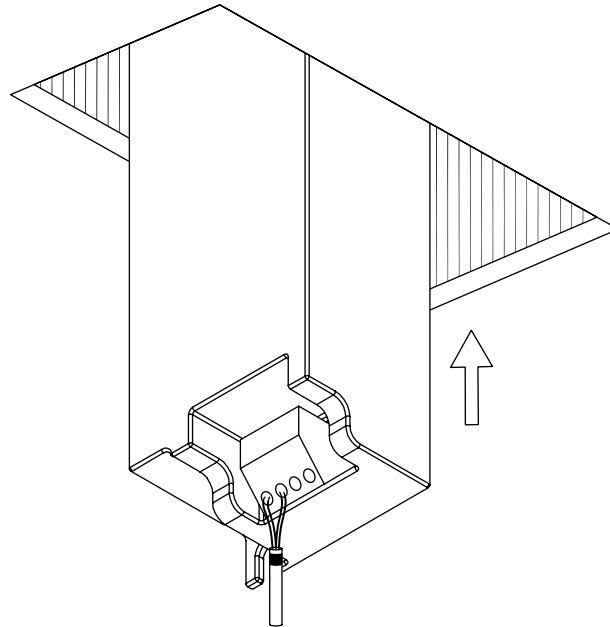
---

# JARDAN

---

## Louey Pendant Assembly Instructions

---



**6** Making electrical connections and secure driver in ceiling cavity.



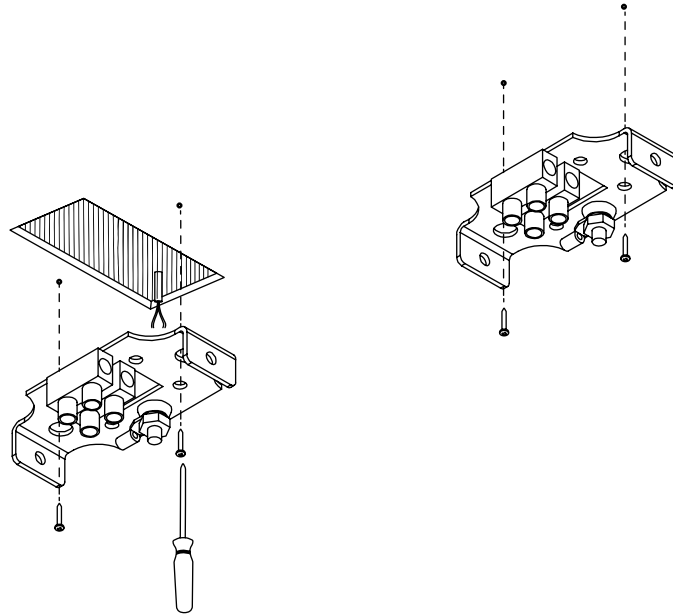
---

# JARDAN

---

## Louey Pendant Assembly Instructions

---



**7**

Screw the ceiling bracket onto the ceiling, ensuring there is enough cable exposed from driver to connect both positive and neutral connections into the terminal block. Use the integrated terminal block on the ceiling bracket to connect wiring.

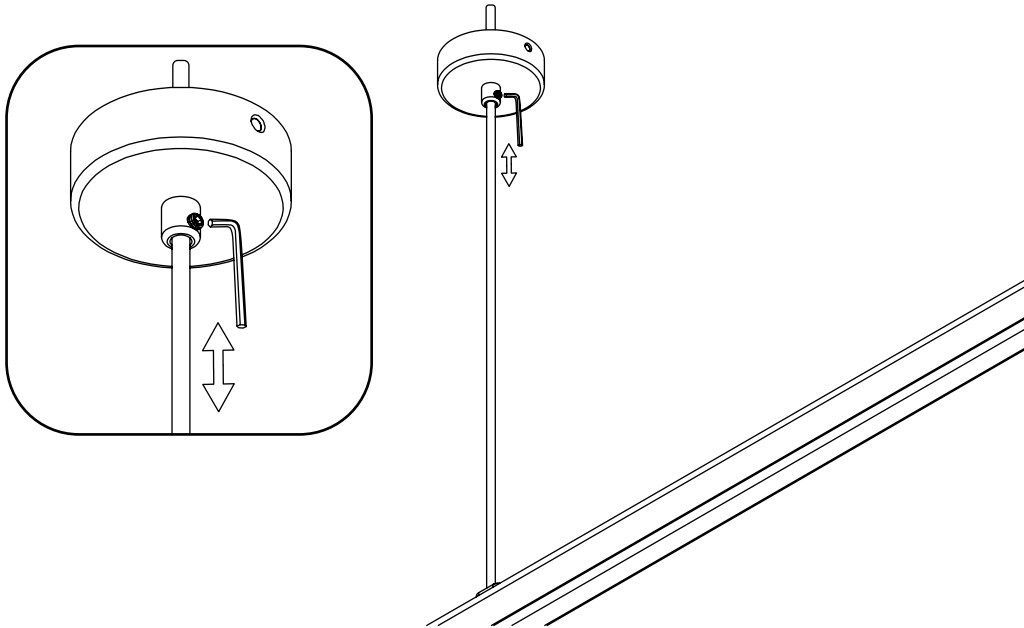
---

# JARDAN

---

## Louey Pendant Assembly Instructions

---



- 8** Loosen cable grip with allen key. Adjust ceiling cables to desired length and tighten cable grip.

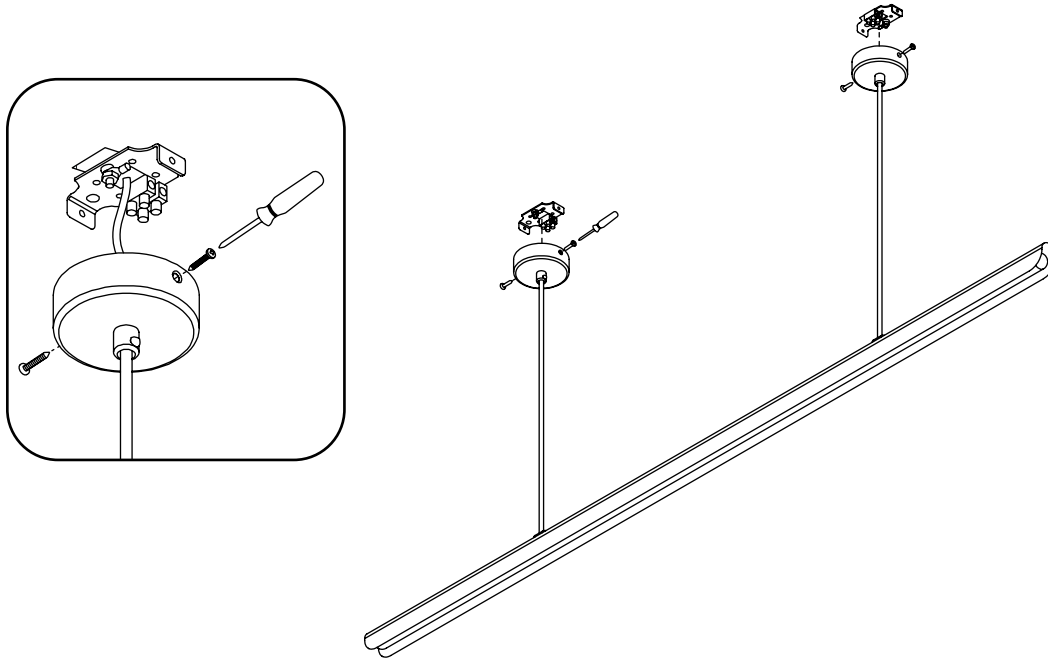
---

# JARDAN

---

## Louey Pendant Assembly Instructions

---



- 9** Connect cabling to terminal block. Raise ceiling rose to ceiling bracket and use supplied screws to secure.

---

# JARDAN

---

## Louey Pendant Assembly Instructions

---



**10** Louey Pendant is ready for use.