



Roy

Roy is an elegant meeting chair made for both formal and casual settings. Featuring a high or mid back and subtle wide panelling on the seat cover, Roy exudes understated comfort and practicality.

Roy comes in a range of configurations, fabrics, and finishes. Explore the options through our website or talk to our showroom team today.

Product Features

- High or Mid Back Chair
- Upholstered panelled seating available in a wide range of fabrics
- Available in 4-star and 5-star base options with or without arms
- 4 Star Base available in black, polished aluminium or coloured powder coat options on base and arms
- 5 Star Base available in black or polished aluminium options on base and arms
- Moulded Foam construction
- Please refer to our warranty document or talk to our showroom team for all warranty details

About Jordan

Design and Manufacturing

With a collaborative design and manufacturing approach, Jordan creates inspired and responsible furniture and lighting with a curated collection of homewares. Since 1987 our furniture has taken shape at our Design and Manufacturing headquarters in Melbourne.

Responsibility

Creating sustainable pieces that are made to last is key to our ethos at Jordan, and we strive to produce responsibly through our design and manufacturing processes.

High Back



RO54H-4 – 540W x 585D x 1015H (mm)
21W x 23D x 40H (inches)



RO54H-5 – 680W x 680D x 980-1110H (mm)
27W x 27D x 39-44H (inches)



RO59H-4 – 590W x 585D x 1015H (mm)
23W x 23D x 40H (inches)



RO59H-5 – 680W x 680D x 980-1110H (mm)
27W x 27D x 39-44H (inches)

Mid Back



RO54-4 – 540W x 585D x 890H (mm)
21W x 23D x 35H (inches)



RO54-5 – 680W x 680D x 850-980H (mm)
27W x 27D x 33-39H (inches)

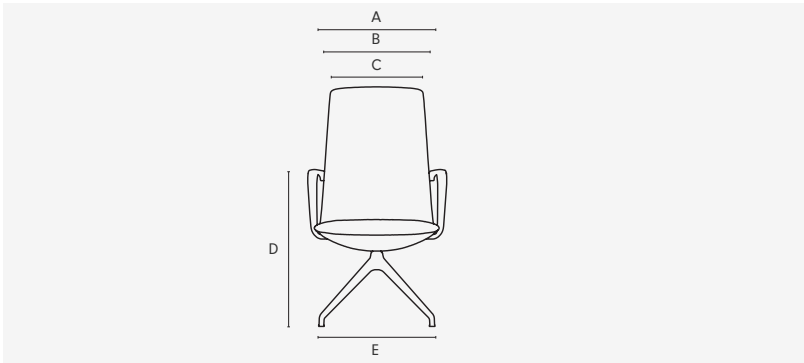


RO59-4 – 590W x 585D x 890H (mm)
23W x 23D x 35H (inches)



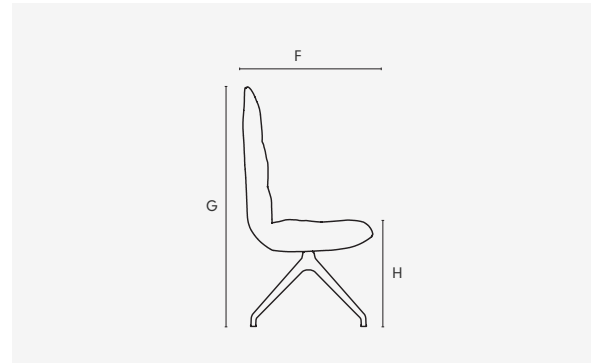
RO59-5 – 680W x 680D x 850-980H (mm)
27W x 27D x 33-39H (inches)

Technical Specifications



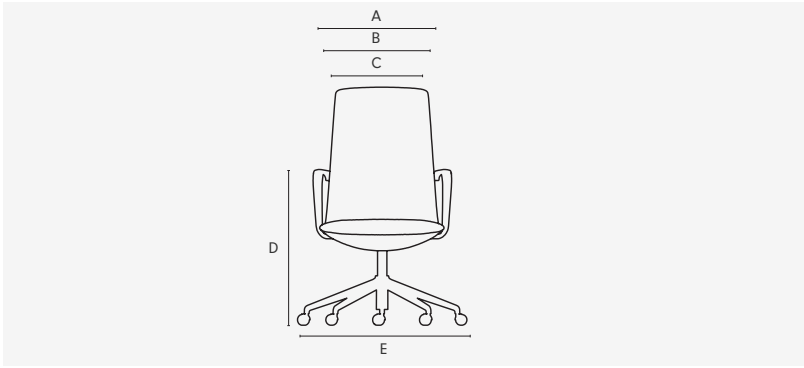
Angle 1 | A Overall Width | B Width Between Arms | C Back Width | D Arm to Floor | E Seat Width

	A (mm/inches)	B (mm/inches)	C (mm/inches)	D (mm/inches)	E (mm/inches)
RO54H-4	460/18		460/18		530/21
RO59H-4	575/23	460/18	460/18	655/26	530/21



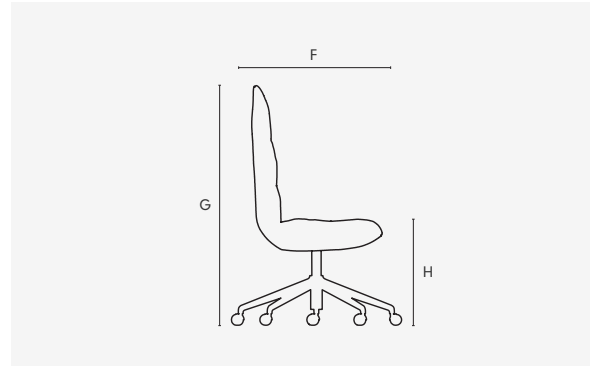
Angle 2 | F Overall Depth | G Overall Height | H Seat Height

	F (mm/inches)	G (mm/inches)	H (mm/inches)
RO54H-4	585/23	1015/40	465/18
RO59H-4	585/23	1015/40	465/18



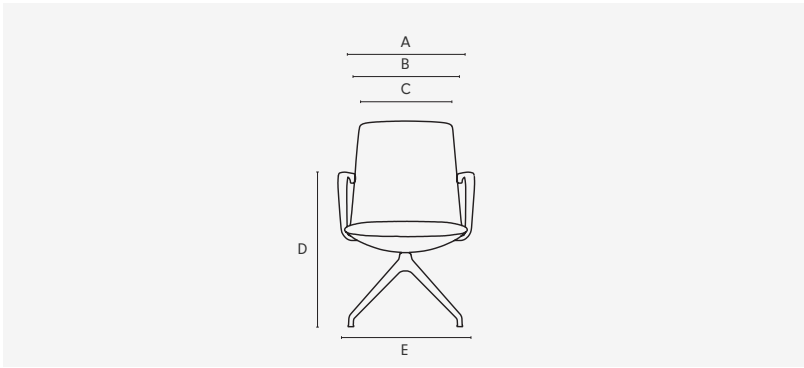
Angle 1 | A Overall Width | B Width Between Arms | C Back Width | D Arm to Floor | E Seat Width

	A (mm/inches)	B (mm/inches)	C (mm/inches)	D (mm/inches)	E (mm/inches)
RO54H-5	680/27				
RO59H-5	680/27			610-740/24-29	



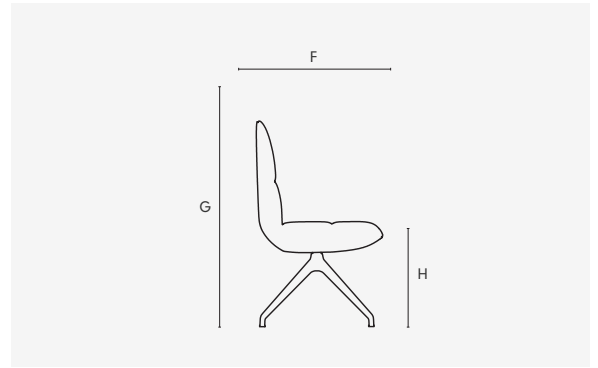
Angle 2 | F Overall Depth | G Overall Height | H Seat

	F (mm/inches)	G (mm/inches)	H (mm/inches)
RO54H-5	680/27	980-1110/39-22	430-560/17-22
RO59H-5	690/27	980-1110/39-22	430-560/17-22



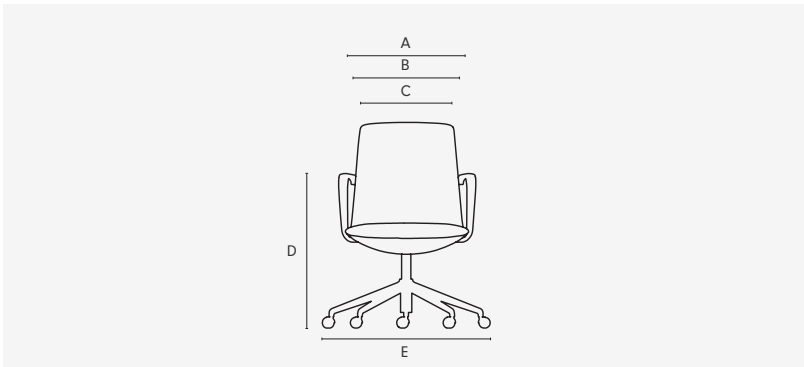
Angle 1 | A Overall Width | B Width Between Arms | C Back Width | D Arm to Floor | E Seat Width

	A (mm/inches)	B (mm/inches)	C (mm/inches)	D (mm/inches)	E (mm/inches)
RO54-4	460/18				
RO59-4	575/23			655/26	



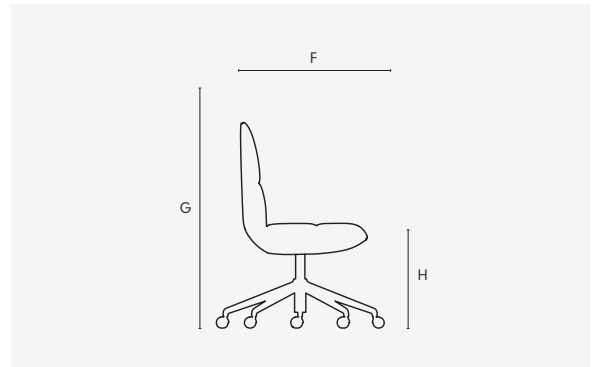
Angle 2 | F Overall Depth | G Overall Height | H Seat

	F (mm/inches)	G (mm/inches)	H (mm/inches)
RO54-4	585/23	890/35	465/18
RO59-4	585/23	890/35	465/18



Angle 1 | A Overall Width | B Width Between Arms | C Back Width | D Arm to Floor | E Seat Width

	A (mm/inches)	B (mm/inches)	C (mm/inches)	D (mm/inches)	E (mm/inches)
RO54-5	680/27				
RO59-5	680/27			610-740/24-29	



Angle 2 | F Overall Depth | G Overall Height | H Seat

	F (mm/inches)	G (mm/inches)	H (mm/inches)
RO54-5	680/27	850-980/33-39	430-560/17-22
RO59-5	680/27	850-980/33-39	430-560/17-22