



Bass

Bass is a refined pedestal table with four-star solid aluminium legs. Suitable for commercial, hospitality and residential projects, our Bass table is available in multiple finishes to fit any space.

Bass comes in a range of configurations and finishes. Explore the options through our website or talk to our showroom team today.

Product Features

- Steel pedestal base
- Laminate, veneer, solid oak and walnut timber top options
- Solid timber top edge features a unique rounded shark nose detail
- 700-800mm diameter top range only
- Black rubber feet as standard
- Please refer to our warranty document or talk to our showroom team for all warranty details

About Jordan

Design and Manufacturing

With a collaborative design and manufacturing approach, Jordan creates inspired and responsible furniture and lighting with a curated collection of homewares. Since 1987 our furniture has taken shape at our Design and Manufacturing headquarters in Melbourne.

Responsibility

Creating sustainable pieces that are made to last is key to our ethos at Jordan, and we strive to produce responsibly through our design and manufacturing processes.

Tables



BAS70RS — 700L x 700D x 711H (mm)
28L x 28D x 28H (inches)



BAS70SS — 700L x 700D x 711H (mm)
28L x 28D x 28H (inches)



BAS80RS — 800L x 800D x 711H (mm)
32L x 32D x 28H (inches)



BAS80SS — 800L x 800D x 711H (mm)
32L x 32D x 28H (inches)

Bar Tables



BAS70RB – 700L x 700D x 1091H (mm)
28L x 28D x 43H (inches)



BAS70SB – 700L x 700D x 1091H (mm)
28L x 28D x 43H (inches)

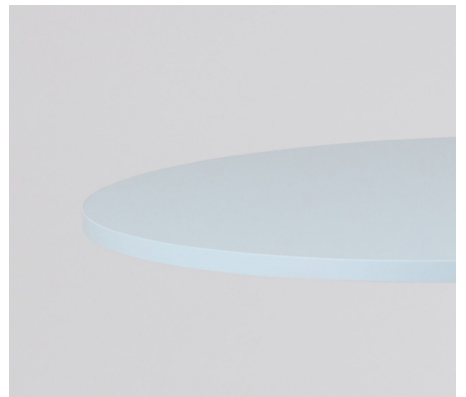
Table Top Options



Oak

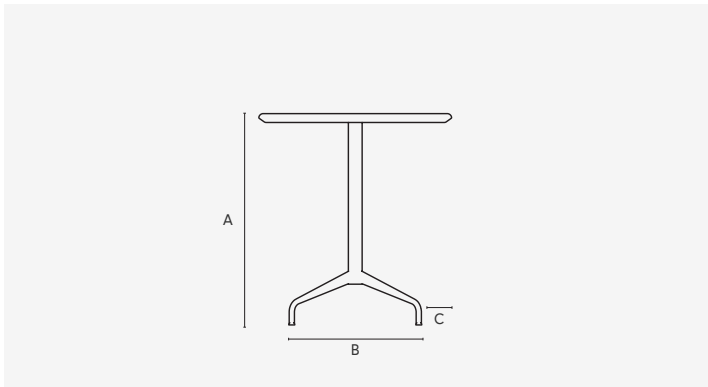


Veneer



Laminate

Technical Specifications



Angle 1 | A Leg Inset Short Edge | B Space Between Legs | C Table Height

	A (mm/inches)	B (mm/inches)	C (mm/inches)
BAS70RB	1099/43	671/26	110/4
BAS70RS	719/28	671/26	110/4
BAS70SB	1099/43	671/26	110/4
BAS70SS	719/28	671/26	110/4
BAS80RS	719/28	671/26	110/4
BAS80SS	719/28	671/26	110/4