



Wilbur

Our Wilbur table has a simple expression with a classic form. Available in a multitude of top variants and a wide range of contemporary colours, Wilbur is a versatile solution for commercial and work from home applications.

Wilbur comes in a range of configurations and finishes. Explore the options through our website or talk to our showroom team today.

Product Features

- Laminate, veneer, solid oak and walnut timber top options
- Perfect for work from home or commercial
- Customisable lengths
- CMS integration available
- Solid aluminium leg
- Available in powder coated finished in a wide range of contemporary colours
- Please refer to our warranty document or talk to our showroom team for all warranty details

About Jordan

Design and Manufacturing

With a collaborative design and manufacturing approach, Jordan creates inspired and responsible furniture and lighting with a curated collection of homewares. Since 1987 our furniture has taken shape at our Design and Manufacturing headquarters in Melbourne.

Responsibility

Creating sustainable pieces that are made to last is key to our ethos at Jordan, and we strive to produce responsibly through our design and manufacturing processes.

Table



WIL90R — 900L x 900D x 719H (mm)
35L x 35D x 28H (inches)



WIL120R — 1200L x 1200D x 719H (mm)
47L x 47D x 28H (inches)



WIL125S — 1250L x 700D x 719H (mm)
49L x 28D x 28H (inches)



WIL125SP — 1250L x 700D x 719H (mm)
49L x 28D x 28H (inches)



WIL150R — 1500L x 1500D x 719H (mm)
59L x 59D x 28H (inches)



WIL210S — 2100L x 1100D x 719H (mm)
83L x 43D x 28H (inches)



WIL240S — 2400L x 1100D x 719H (mm)
94L x 43D x 28H (inches)



WIL270S_1 — 2700L x 1100D x 719H (mm)
106L x 43D x 28H (inches)
*Laminate will come as a split top

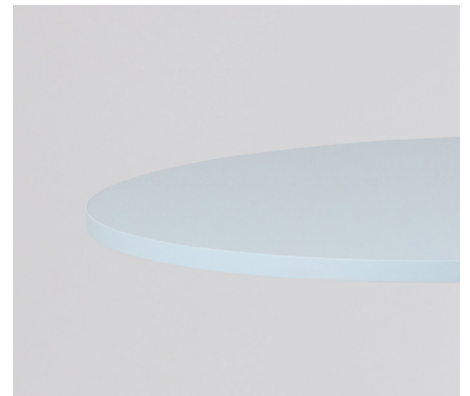
Table Top Options



Oak

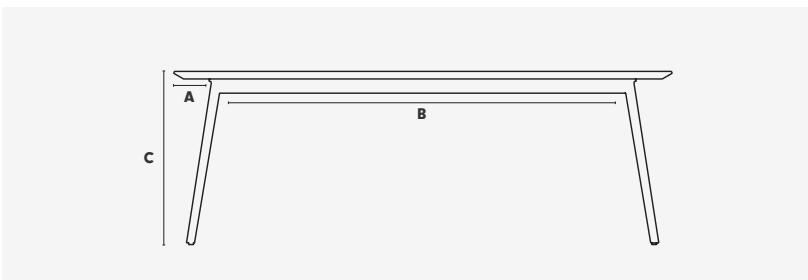


Veneer

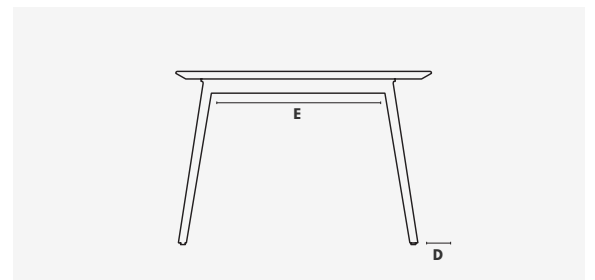


Laminate

Technical Specifications



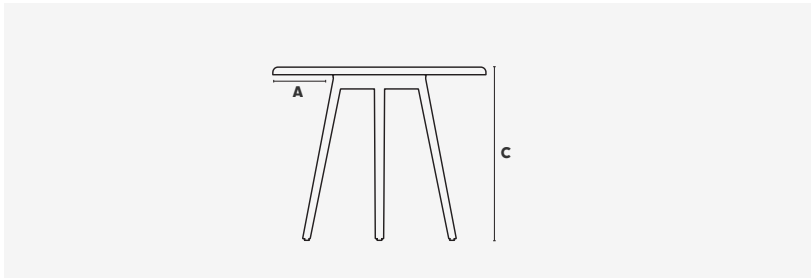
Angle 1 | A Leg Inset Short Edge | B Space Between Legs - Long | C Table Height



Angle 2 | D Leg Inset Long Edge | E Space Between Legs - Short

	A (mm/inches)	B (mm/inches)	C (mm/inches)
WIL125S	130/5	900/35	732/29
WIL210S	152/6	1712/67	732/29
WIL240S	152/6	2012/79	732/29
WIL270S	152/6	2312/91	718/28

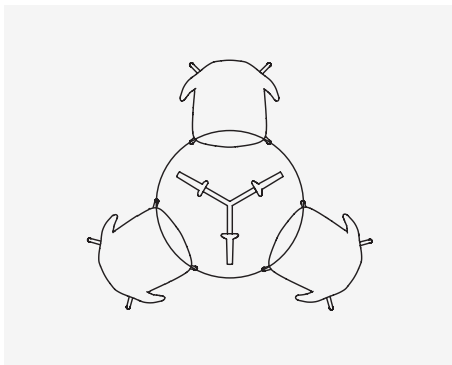
	D (mm/inches)	E (mm/inches)
WIL125S	35/1	350/14
WIL210S	55/2	712/28
WIL240S	55/2	712/28
WIL270S	55/2	712/28



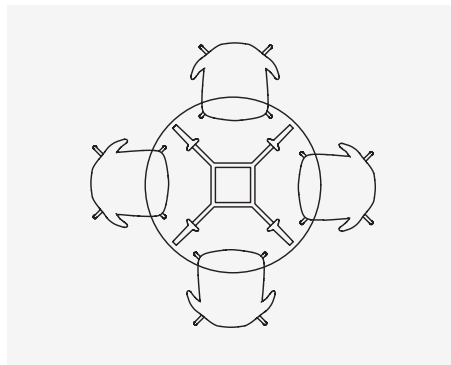
Round Table | A Leg Inset Short Edge | C Table Height

	A (mm/inches)	C (mm/inches)
WIL90R	254/10	732/29
WIL120R	285/11	732/29
WIL150R	375/15	732/29

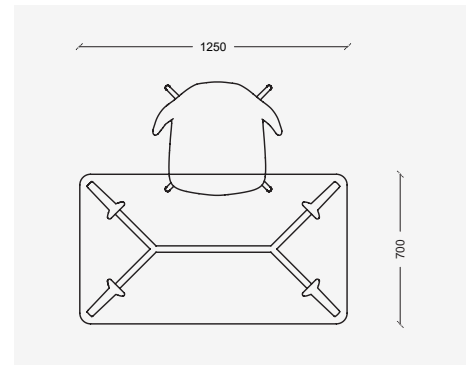
Seating Arrangements



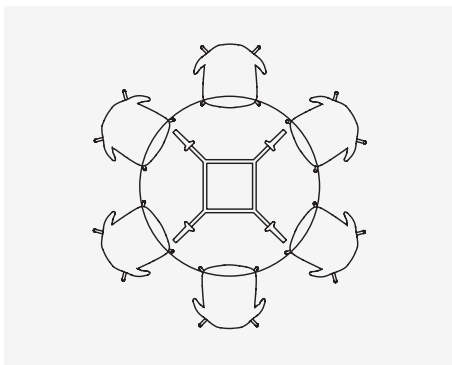
WIL90R | Seating for 3 chairs
Chair Shown RF60 | 690W x 530D x 794H (mm)
27W x 21D x 31H (inches)



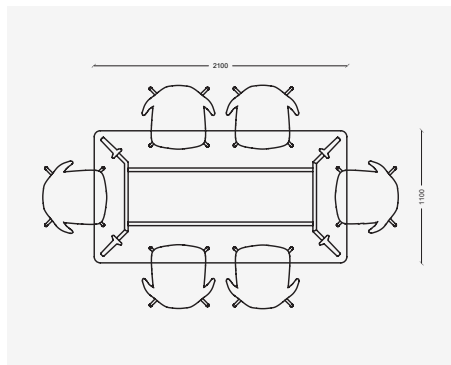
WIL120R | Seating for 4 chairs



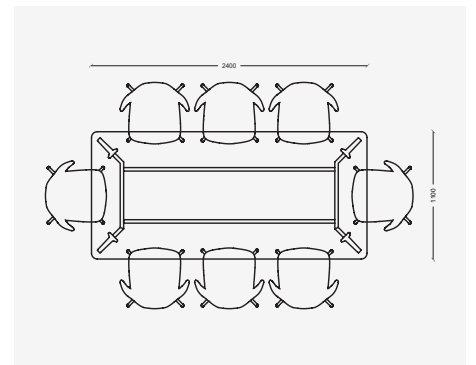
WIL125S | Seating for 1 chair



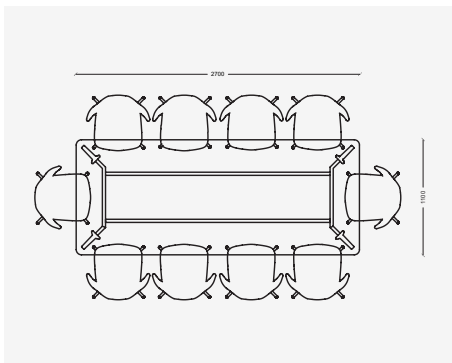
WIL150R | Seating for 6 chairs



WIL210S | Seating for 6 chairs



WIL240S | Seating for 8 chairs



WIL270S | Seating for 10 chairs