



August

A play on form and detailing, August is an elegant table range inspired by negative space. With an almond shaped edge and centralised, tapered legs, August offers a delicate yet sturdy profile. The range includes both coffee and dining tables.

August comes in a range of sizes, the Jordan website will allow you to select your preference then further customise finishes.

Available Materials

Timber - Oak and Walnut

Specifications

Crafted

Australian made since 1987, our furniture takes shape at our Design + Manufacturing HQ in Melbourne.

Environmental

Our timber is sourced from sustainably managed forests and available with a selection of finishes.

Warranty

Made to last, our tables are covered by a 5 year structural warranty.

Low Tables



AU80 – 800L x 800D x 350H (mm) | Square
31L x 31D x 14H (inches)



AU100_2 – 1000L x 1000D x 350H (mm) | Square
39L x 39D x 14H (inches)



AU120_2 – 1200L x 1200D x 350H (mm) | Square
47L x 47D x 14H (inches)



AU80_1 – 800L x 800D x 350H (mm) | Round
31L x 31D x 14H (inches)



AU100_3 – 1000L x 1000D x 350H (mm) | Round
39L x 39D x 14H (inches)



AU120_3 – 1200L x 1200D x 350H (mm) | Round
47L x 47D x 14H (inches)



AU100_1 – 1000L x 700D x 350H (mm) | Rectangle
39L x 28D x 14H (inches)



AU120_1 – 1200L x 700D x 350H (mm) | Rectangle
47L x 28D x 14H (inches)



AU150_1 – 1500L x 700D x 350H (mm) | Rectangle
59L x 28D x 14H (inches)



AU120_1P – 1200L x 700D x 350H (mm) | Pill
47L x 28D x 14H (inches)



AU150_1P – 1500L x 700D x 350H (mm) | Pill
59L x 28D x 14H (inches)

Dining Tables - Round Top



AU100 – 1000L x 1000D x 730H (mm) | 3 Seater Round
39L x 39D x 29H (inches)



AU120 – 1200L x 1200D x 730H (mm) | 4 Seater Round
47L x 47D x 29H (inches)



AU150 – 1500L x 1500D x 730H (mm) | 6 Seater Round
59L x 59D x 29H (inches)

Dining Tables - Rectangle Top



AU220 – 2200L x 1000D x 730H (mm) | 6 Seater Rectangle
87L x 39D x 29H (inches)



AU220W – 2200L x 1200D x 730H (mm) | 8 Seater Rectangle Wide
87L x 47D x 29H (inches)



AU240 – 2400L x 1000D x 730H (mm) | 8 Seater Rectangle
94L x 39D x 29H (inches)



AU240W — 2400L x 1200D x 730H (mm) | 8 Seater Rectangle Wide
94L x 47D x 29H (inches)



AU260 — 2600L x 1000D x 730H (mm) | 10 Seater Rectangle
102L x 39D x 29H (inches)



AU260W — 2600L x 1200D x 730H (mm) | 10 Seater Rectangle Wide
102L x 47D x 29H (inches)



AU280 — 2800L x 1000D x 730H (mm) | 10 Seater Rectangle
110L x 39D x 29H (inches)



AU280W — 2800L x 1200D x 730H (mm) | 10 Seater Rectangle Wide
110L x 47D x 29H (inches)



AU300 — 3000L x 1000D x 730H (mm) | 10 Seater Rectangle
118L x 39D x 29H (inches)



AU300W — 3000L x 1200D x 730H (mm) | 10 Seater Rectangle Wide
118L x 47D x 29H (inches)

Dining Tables - Pill Shaped Top



AU220P — 2200L x 1000D x 730H (mm) | 6 Seater Pill
87L x 39D x 29H (inches)



AU220PW — 2200L x 1200D x 730H (mm) | 6 Seater Pill Wide
87L x 47D x 29H (inches)



AU240P — 2400L x 1000D x 730H (mm) | 8 Seater Pill
94L x 39D x 29H (inches)



AU240PW – 2400L x 1200D x 730H (mm) | 8 Seater Pill Wide
94L x 47D x 29H (inches)



AU260P – 2600L x 1000D x 730H (mm) | 10 Seater Pill
102L x 39D x 29H (inches)



AU260PW – 2600L x 1200D x 730H (mm) | 10 Seater Pill Wide
102L x 47D x 29H (inches)



AU280P – 2800L x 1000D x 730H (mm) | 10 Seater Pill
110L x 39D x 29H (inches)



AU280PW – 2800L x 1200D x 730H (mm) | 10 Seater Pill Wide
110L x 47D x 29H (inches)



AU300P – 3000L x 1000D x 730H (mm) | 10 Seater Pill
118L x 39D x 29H (inches)



AU300PW – 3000L x 1200D x 730H (mm) | 10 Seater Pill Wide
118L x 47D x 29H (inches)

Boardroom Tables

Veneer with Solid Timber Edge

*All boardroom tables come with a split top



AU380 – 3800L x 1100D x 730H (mm) | 12 Seater Rectangle
150L x 43D x 29H (inches)



AU380W – 3800L x 1270D x 730H (mm) | 12 Seater Rectangle Wide
150L x 50D x 29H (inches)



AU440 – 4400L x 1100D x 730H (mm) | 14 Seater Rectangle
173L x 43D x 29H (inches)



AU440W – 4400L x 1270D x 730H (mm) | 14 Seater Rectangle Wide
173L x 50D x 29H (inches)

Table Tops

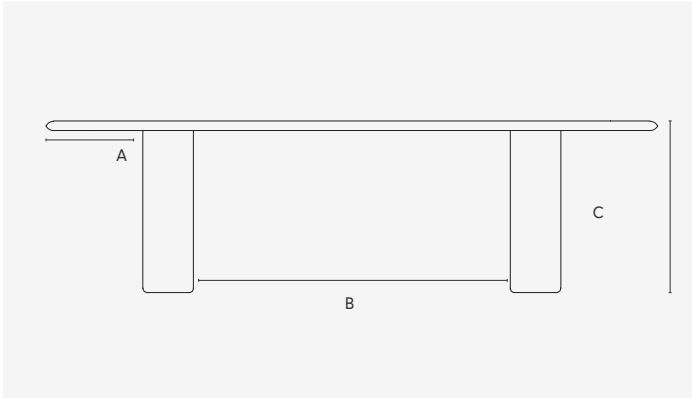


Solid Timber

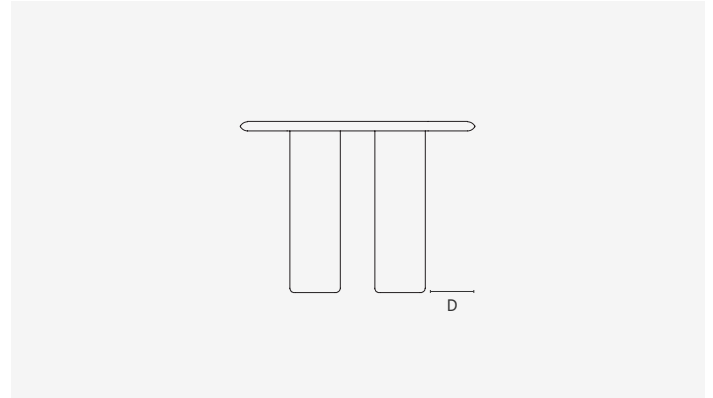


Veneer with Solid Timber Edge - Boardroom Table

Technical Specifications



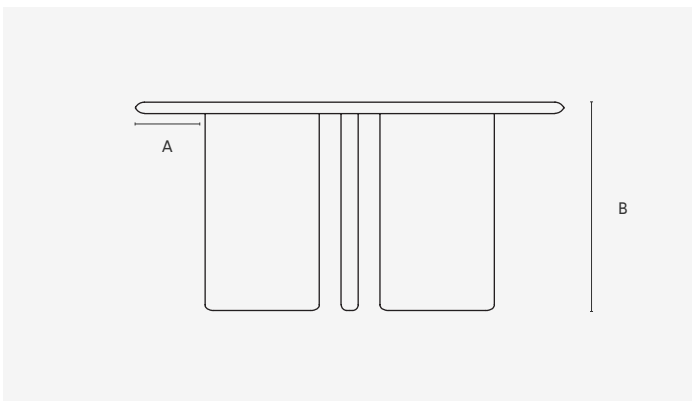
Dining Table Angle 1 | A Leg Inset Short Edge | B Space Between Legs | C Table Height



Angle 2 | D Leg Inset Long Edge

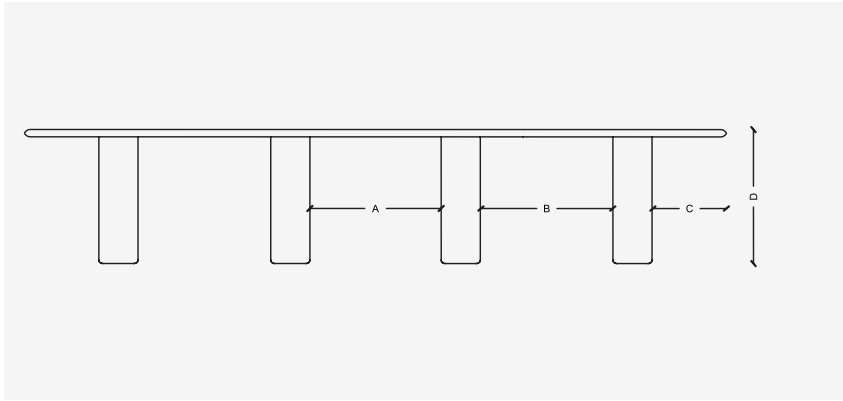
	A (mm/inches)	B (mm/inches)	C (mm/inches)
AU100	93/4		730 /29
AU120	193/8		730/29
AU150	244/10		730/29
AU220 / AU220W	431/17	908/36	730/29
AU220P / AU220PW	431/17	908/36	730/29
AU240 / AU240W	431/17	1108/44	730/29
AU240P / AU240PW	431/17	1108/44	730/29
AU260 / AU260W	411/16	1348/54	730/29
AU260P / AU260PW	411/16	1348/54	730/29
AU280 / AU280W	411/16	1548/61	730/29
AU280P / AU280PW	411/16	1548/61	730/29
AU300 / AU300W	411/16	1748/69	730/29
AU300P / AU300PW	411/16	1748/69	730/29

	D (mm/inches)		D (mm/inches)
AU100	93/4	AU260P	211/8
AU120	193/8	AU260PW	275/11
AU150	244/10	AU280	211/8
AU220	211/8	AU280W	275/11
AU220W	275/11	AU280P	211/8
AU220P	211/8	AU280PW	275/11
AU220PW	275/11	AU300	211/8
AU240	211/8	AU300W	275/11
AU240W	275/11	AU300P	211/8
AU240P	211/8	AU300PW	275/11
AU240PW	275/11		
AU260	211/8		
AU260W	275/11		

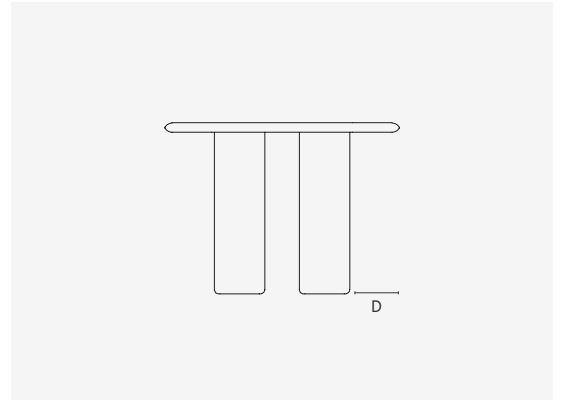


Round Dining Table Angle 1 | A Table Top Overhang | B Table Height

	A (mm/inches)	B (mm/inches)
AU100	93/7	730/29
AU120	93/7	730/29
AU150	93/7	730/29



Boardroom Table Angle 1 | A Middle Leg Distance | B Outer Leg Distance | C Leg Inset Short Side | D Table Height

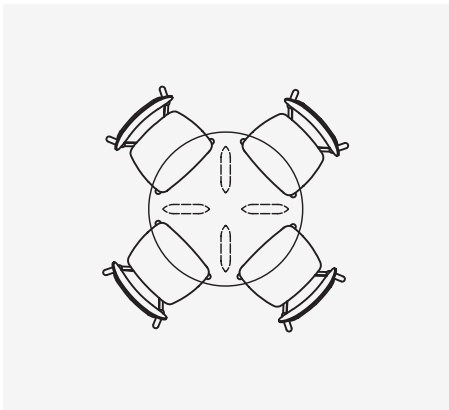


Angle 2 | D Leg Inset Long Edge

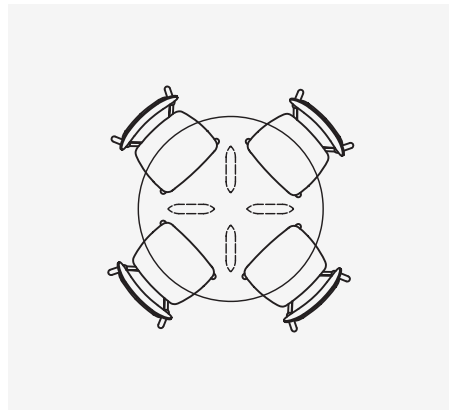
	A (mm/inches)	B (mm/inches)	C (mm/inches)	D (mm/inches)
AU380	705/28	716/28	403/16	730/29
AU380W	705/28	716/28	403/16	730/29
AU440	705/28	1016/40	403/16	730/29
AU440W	705/28	1016/40	403/16	730/29

	D (mm/inches)
AU380	211/8
AU380W	275/11
AU440	211/8
AU440W	275/11

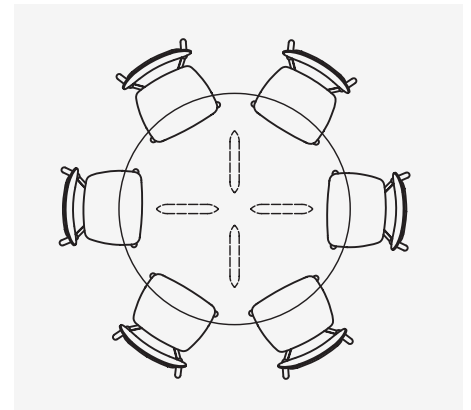
Seating Arrangements



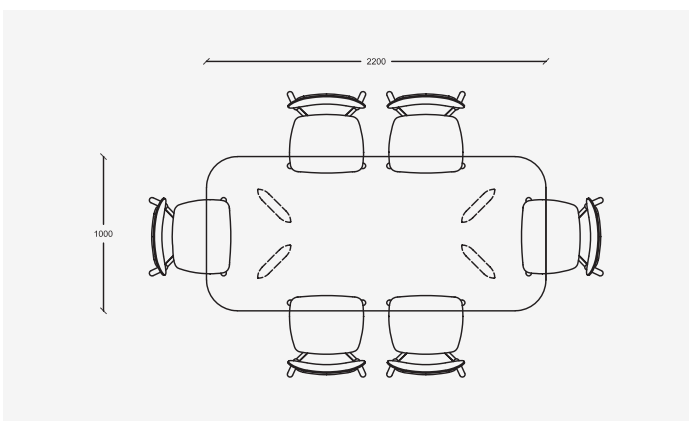
AU100 | Seating for 4 chairs
Chair Shown MK53 | McKenzie – 537L x 528D x 807H (mm)
21L x 21L x 32D (inches)



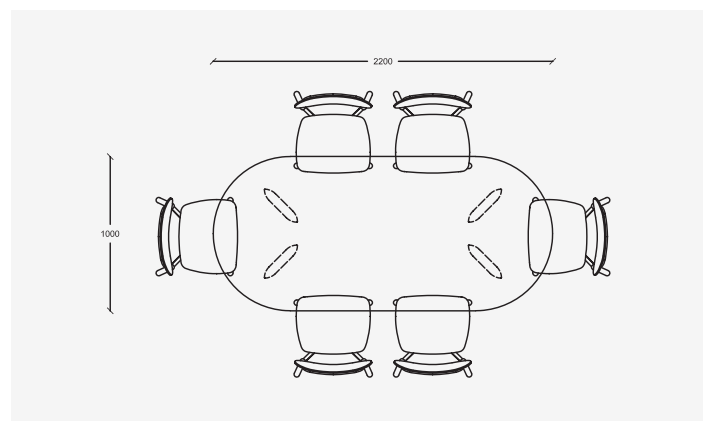
AU120 | Seating for 4 chairs



AU150 | Seating for 6 chairs

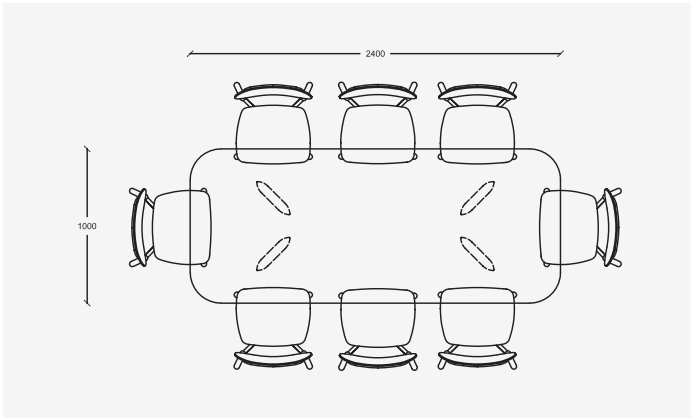


AU220 | Seating for 6 chairs

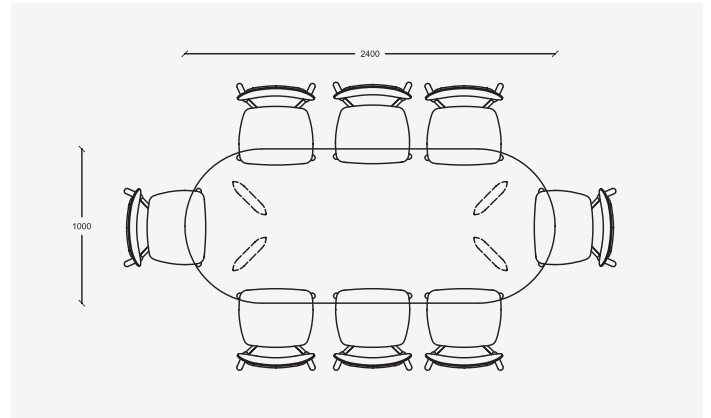


AU220P | Seating for 6 chairs

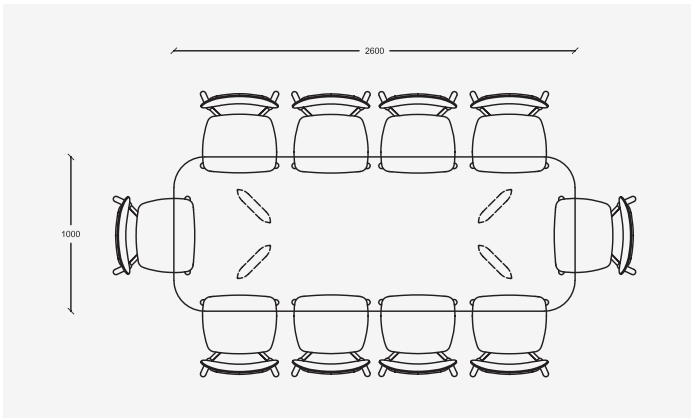
Seating Arrangements



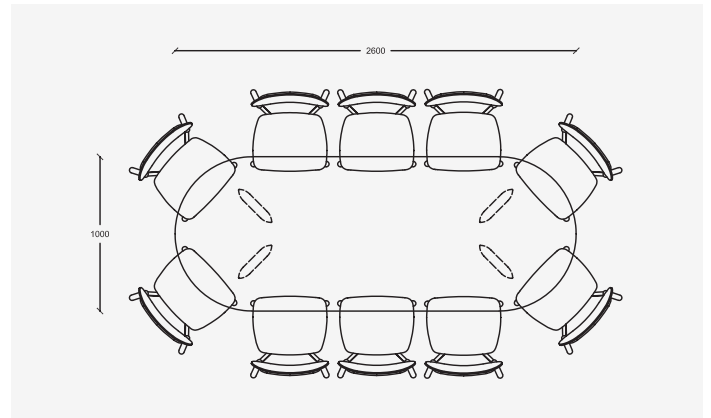
AU240 | Seating for 8 chairs



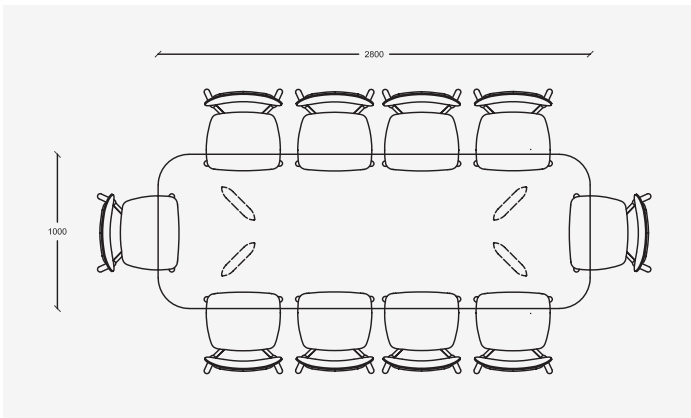
AU240P | Seating for 8 chairs



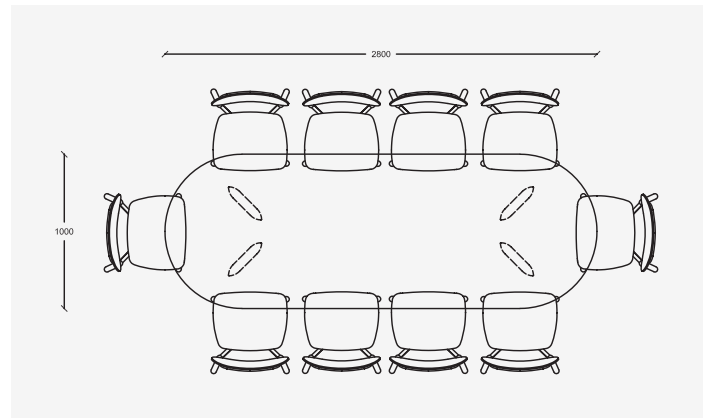
AU260 | Seating for 10 chairs



A260P | Seating for 10 chairs

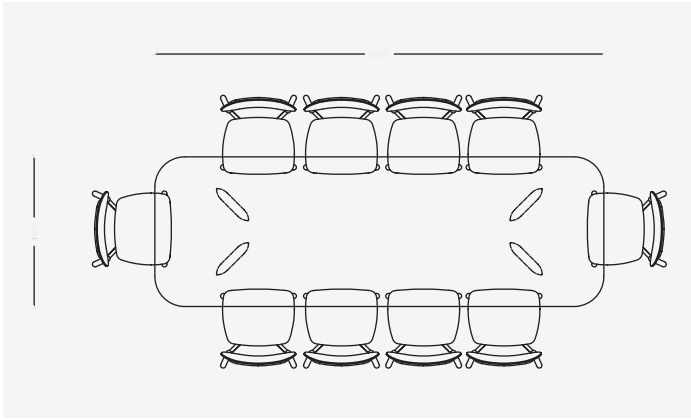


AU280 | Seating for 10 chairs

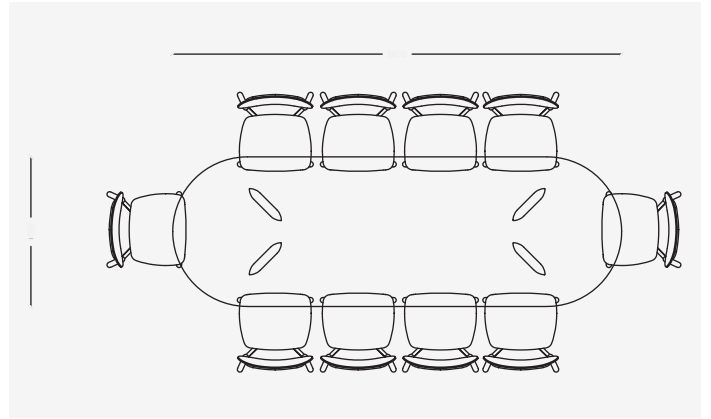


AU280P | Seating for 10 chairs

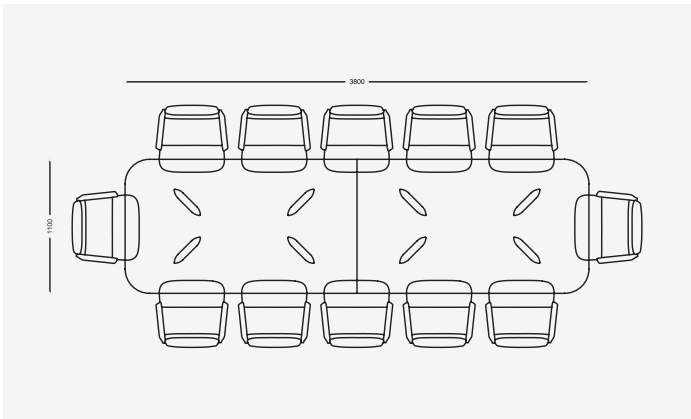
Seating Arrangements



AU300 | Seating for 10 chairs

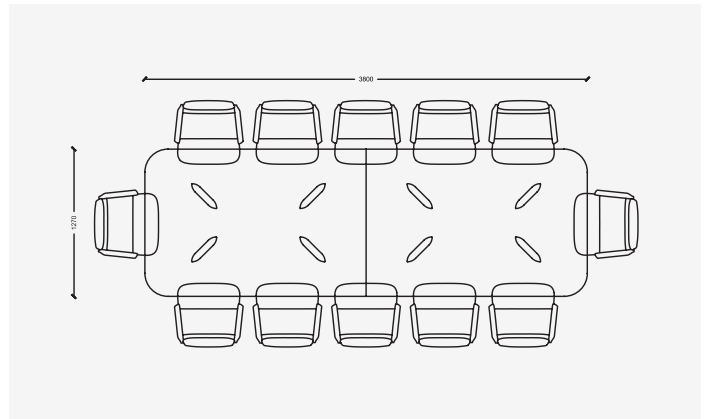


AU300P | Seating for 10 chairs

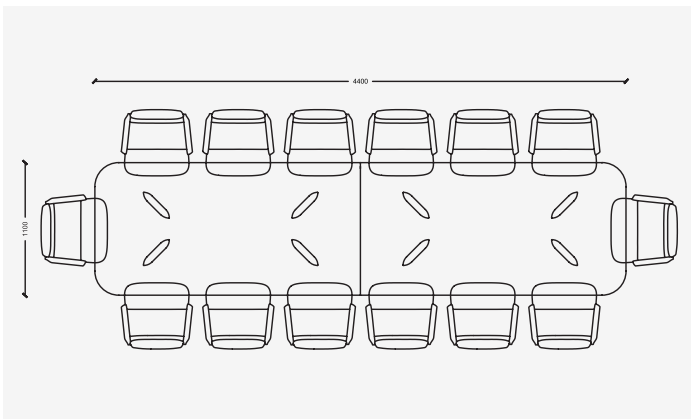


AU380 | Seating for 12 chairs

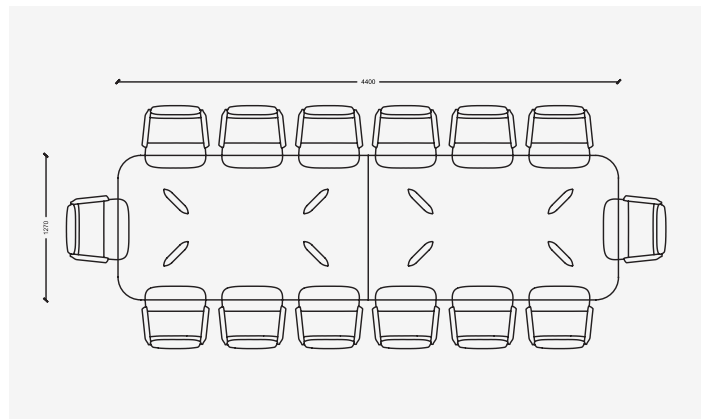
Chair Shown RO59H-4 | Roy – 590L x 700D x 1015H (mm)
23L x 28D x 40H (inches)



A380W | Seating for 12 chairs



AU440 | Seating for 14 chairs



AU440W | Seating for 14 chairs