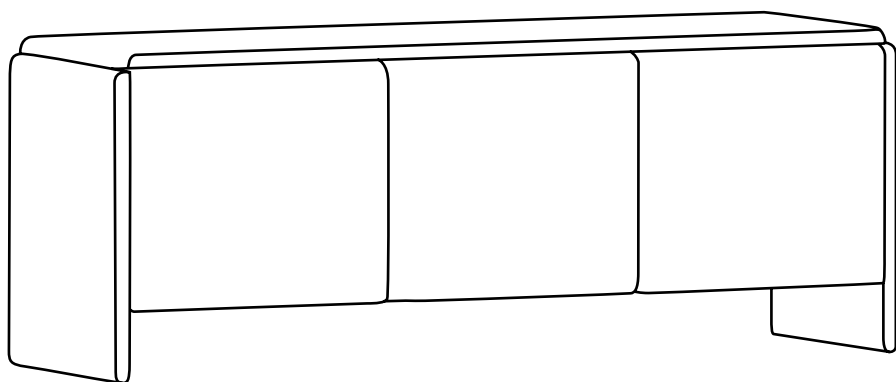

JARDAN

Olive

Assembly Instructions

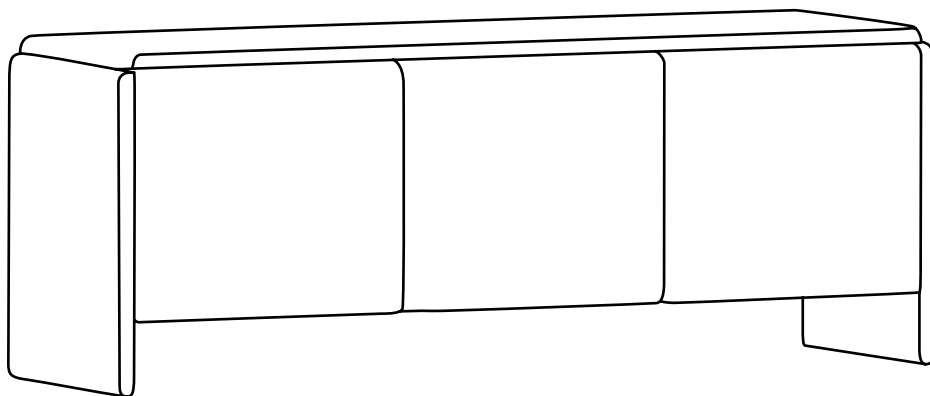


Olive Sideboard

jardan.com.au

JARDAN

Olive Assembly Instructions



Components

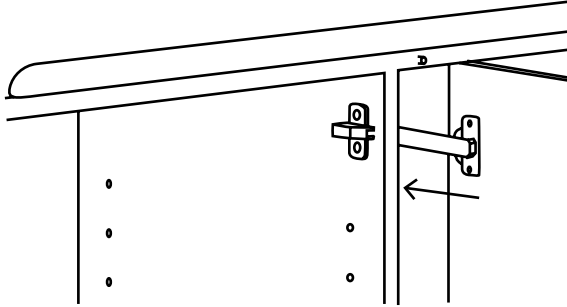
Required

- A Shelves
- B Doors
- C Clip brackets
- D Screws
- E Shelf pins

1 x Cordless Torque Drill on low setting (to prevent damage)

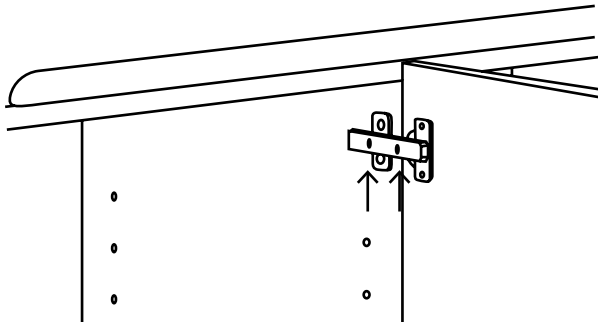
JARDAN

Olive Assembly Instructions



1

Unwrap shelves and doors (packaged separately) and lay on soft surface. Clip brackets on doors into their respective fittings, ensuring doors are orientated the right way up. These clip onto the face of the internal bracket.

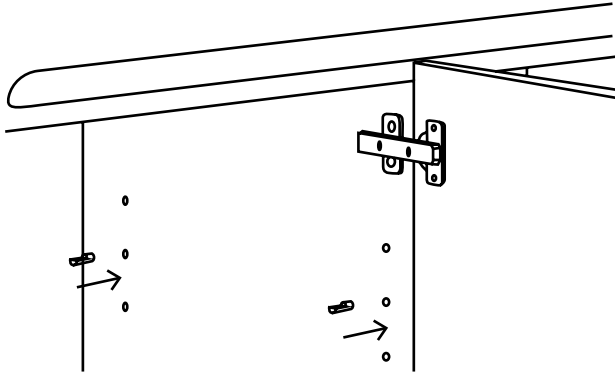


2

Level doors using the 2 screws to adjust height, angle and protrusion.

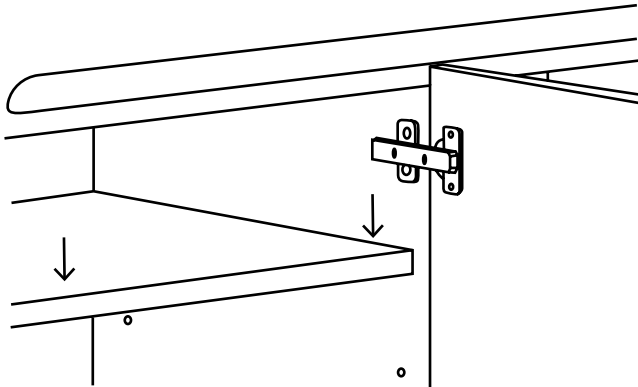
JARDAN

Olive Assembly Instructions



3

Insert shelf inserts into respective holes inside the cabinet with the flat spots facing up. Height can be set using the suitable holes.



4

Fit shelves into cupboard and rest on top of shelf inserts. Ensure shelf feels secure.

JARDAN

Care and Maintenance

Our philosophy is simple, we only make furniture that lasts. Over their lifetime our products will need a little care and attention to ensure they can be enjoyed by generations to come. The following information will help you care for your Jordan products in the best possible way.

Timber Lacquer Finish

Timber is a natural product that will respond to its environmental conditions. We recommend you avoid extreme variation in temperature and humidity as well as contact with liquids and heat. Regularly wipe timber to remove dust and dirt. Do not leave liquid to sit on timber surfaces as it will penetrate and may cause staining. Wipe up spills immediately with a damp cloth. The tone of the timber will alter over time with exposure to UV light, please protect timber from direct or reflected sunlight.

Do not use cleaners or polishes as these may cause permanent damage or colour variation to your furniture. Take care when placing or moving unglazed ceramics and other items with an irregular base finish as they may scratch the surface. Slab or underfloor heating can be damaging to solid timber products. The heat causes the bottom side to dry out differently to the top which can cause bowing, warping or cracking. We advise that you do not keep solid timber pieces on underfloor heating.

Timber Oil Finish

Timber is a natural product that will respond to its environmental conditions. For timber products with an oil finish we recommend that you pay particular attention to protecting the piece from hot or wet objects. Do not leave liquid to sit on timber surfaces as it will penetrate the surface and cause staining. Wipe up spills immediately with a damp cloth.

Dependant on the position of the piece and the conditions of your home, we recommend re-oiling once a year. We advise having your furniture re-oiled at least once by our professional craftspeople to learn the correct application techniques. In some cases, an additional application may be required after the first six months. Oil care packages are available from your nearest Jordan store.

Do not use any other cleaners or polishes as they may permanently damage your furniture. Slab or underfloor heating can be damaging to solid timber products. The heat causes the bottom side to dry out differently to the top which can cause bowing, warping or cracking. We advise that you do not keep solid timber pieces on underfloor heating.

Contact

For more information visit our website. If you can't find what you're looking for our friendly sales team will be happy to help, contact your nearest Jordan store.

jardan.com.au
