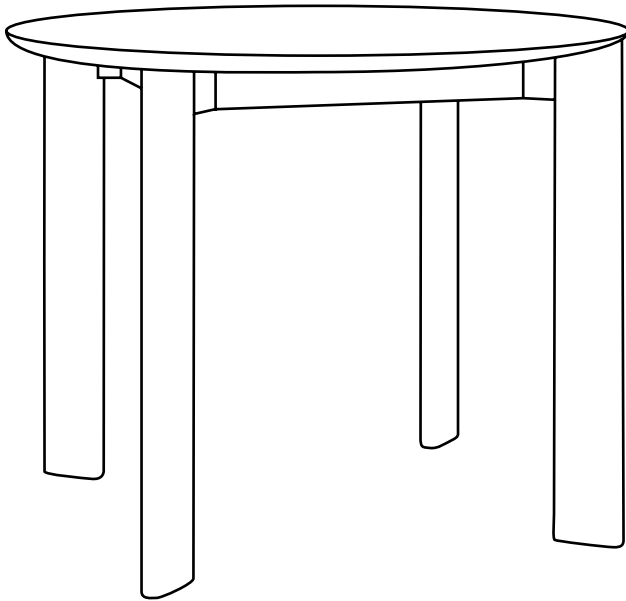

JARDAN

Otis Outdoor

Assembly Instructions

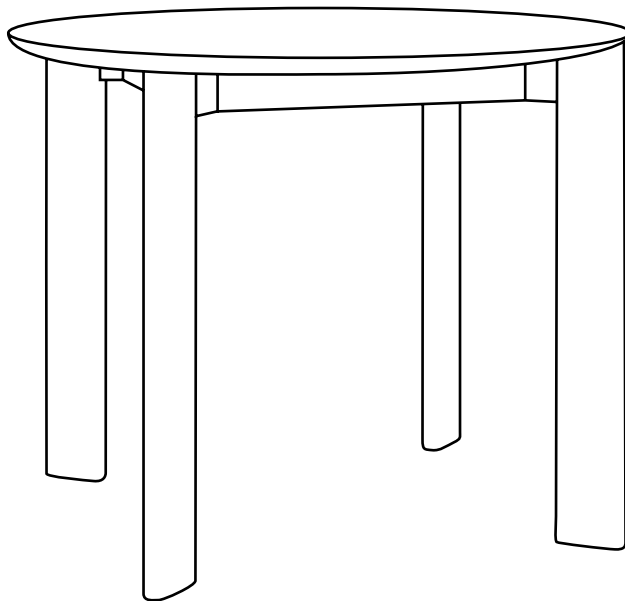


Otis Outdoor Table

jardan.com.au

JARDAN

Otis Outdoor Assembly Instructions



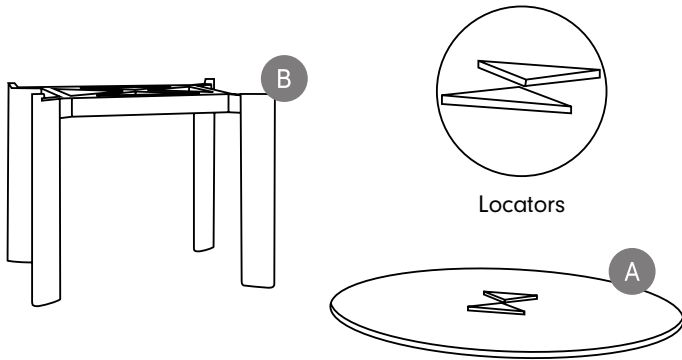
Components	Required
------------	----------

A 1 x Stone Top	1 x Allen key
-----------------	---------------

B 1 x Frame & Legs	1 x Fixing provided: M10 bolt
--------------------	-------------------------------

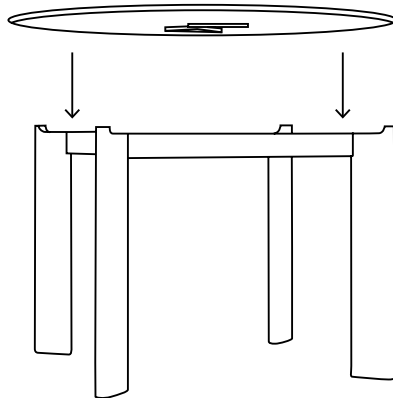
JARDAN

Otis Outdoor Assembly Instructions



1

Remove stone top (A) from packaging and lay flat on a soft surface. Locators facing upwards. Remove Frame & Legs (B) from packaging
*Note 2 person step

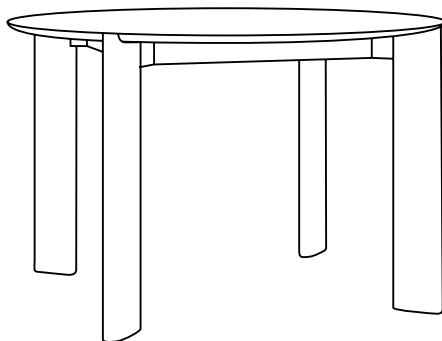


2

Flip the stone top (A), using the locators triangles on the stone top (A), align the top centrally to the frame (B) cross rails and gently lower until secure.
*Note 2 person step

JARDAN

Otis Outdoor Assembly Instructions



- 3** Check there is no movement of the top.
-

JARDAN

Care and Maintenance

Our philosophy is simple, we only make furniture that lasts. Over their lifetime our products will need a little care and attention to ensure they can be enjoyed by generations to come. The following information will help you care for your Jordan products in the best possible way.

Marble

Marble is a natural stone renowned for its unique aesthetic and character. With a honed finish and light protective coating applied, Jordan marble has a soft matt finish. Marble is naturally a porous material, making it susceptible to staining as it has an increased absorbency. It is essential that no liquids are left to sit on marble as they will penetrate the stone and cause staining. Wipe up spills immediately with a damp cloth. Clean regularly with warm soapy water, using a small amount of crème cleaner with a soft sponge or cloth for stubborn stains. Acidic liquids (orange juice, wine etc) should be avoided as they react with marble and can deteriorate the finish.

Timber Outdoor

Timber is a natural product that will respond to its environmental conditions. We recommend you avoid extreme variation in temperature and humidity as well as contact with liquids and heat. Regularly wipe timber to remove dust and dirt. Do not leave liquid to sit on timber surfaces as it will penetrate and may cause staining. Wipe up spills immediately with a damp cloth. The tone of the timber will alter over time with exposure to UV light and timber leaching may occur. We recommend gently sanding the surface and applying a UVstable exterior grade oil such as decking oil every six months.

Contact

For more information visit our website. If you can't find what you're looking for our friendly sales team will be happy to help, contact your nearest Jordan store.

jordan.com.au
